


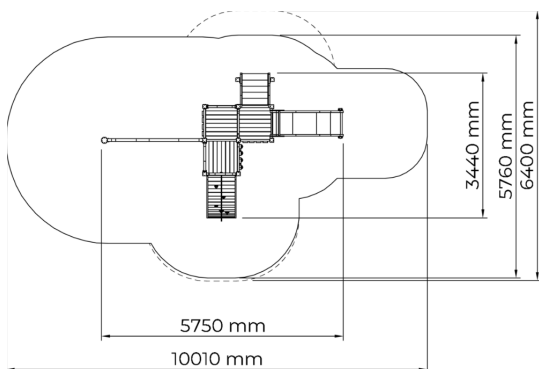
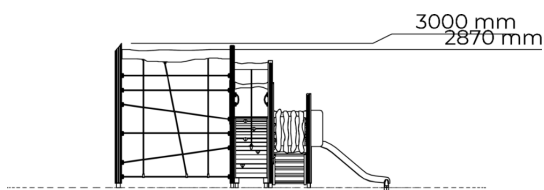


-  Bridges
1
-  Slides
2
-  Towers
2



Number of users	26
Impact area, m ²	50
Max. free fall height, mm	1470
Safety info	EN 1176-1, 3 TÜV