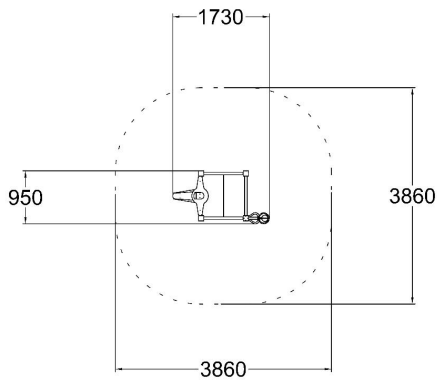


SAND AND WATER TABLE WITH CRANE



Number of users	4
Product length, mm	1730
Product width, mm	950
Product height, mm	2550
Falling space, m ²	13
Max. free fall height, mm	550
Installation time (for 1), h	2