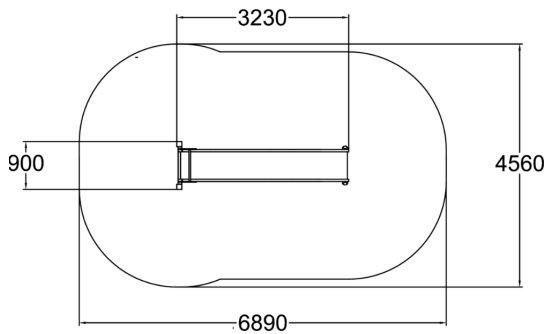
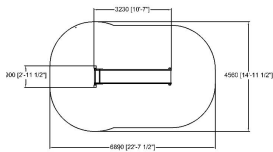


Q61031

EMBANKMENT SLIDE (ASTM)



User age	5-12
Number of users	1
Product length, mm	900
Product width, mm	3230
Product height, mm	2290
Max. free fall height, mm	1016
Safety info	ASTM F1487-17