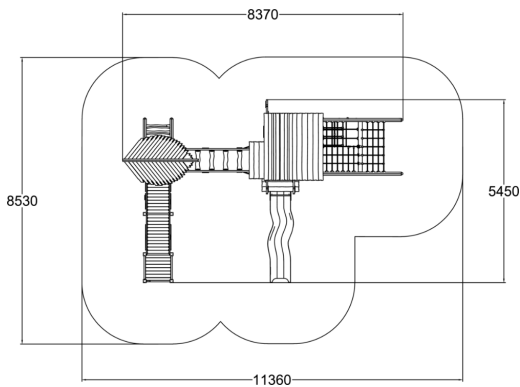


-  Bridges
1
-  Climbing
5
-  Slides
1
-  Towers
2



User age	5-12
Number of users	30
Product length, mm	7700
Product width, mm	5450
Product height, mm	4890
Impact area, m ²	62
Max. free fall height, mm	2880
Safety info	ASTM F1487-17
Installation time (for 1), h	120
Ropes	