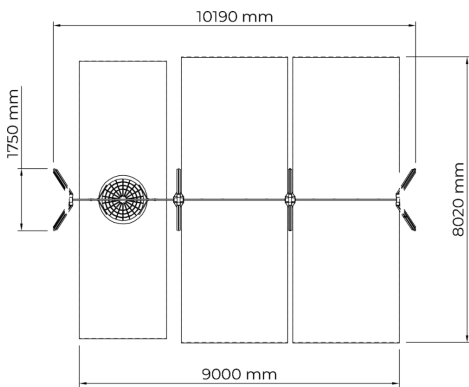


Q19466

STONE AGE MOOSE SWING FOR 4 + NEST HIGH



Number of users	8
Product length, mm	10190
Product width, mm	1750
Product height, mm	2890
Impact area, m <sup>2</sup>	67
Falling space, m <sup>2</sup>	67
Safety info	EN 1176-1:2017; 2

