

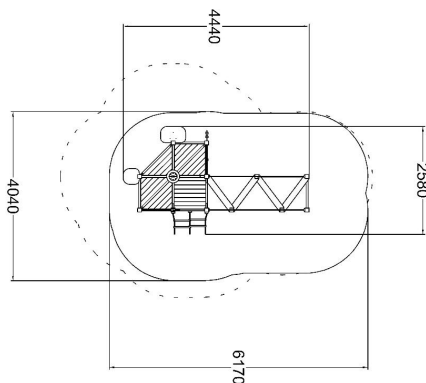
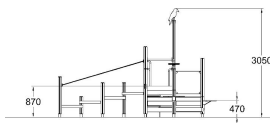
Balancing
1




Bridges
1

Climbing
2

Meeting points
6

Play panels
4



Product length, mm	4440
Product width, mm	2580
Product height, mm	3050
Impact area, m ²	22
Falling space, m ²	30.5
Max. free fall height, mm	980
Safety info	EN 1176-1 TÜV
Foundation options	deep_mounting surface_mounting
Wood	
Walls and HPL	 
Ropes	