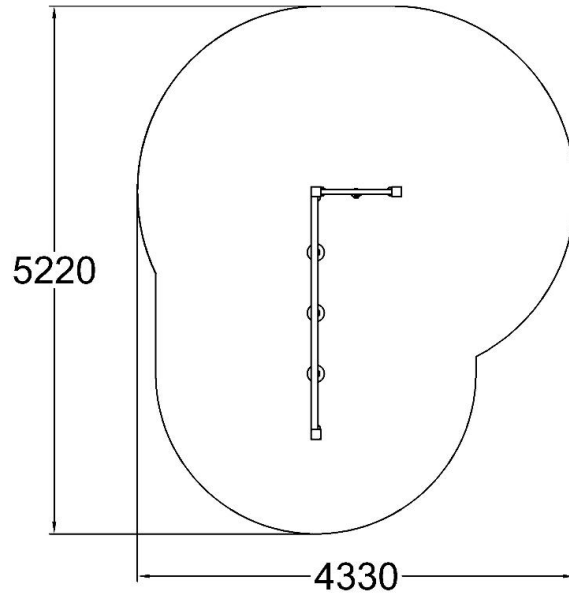


LITTLE CLIMBING

Impact area, m ²	17
Max. free fall height, mm	1970
Safety info	EN 1176-1 TÜV
Ropes	