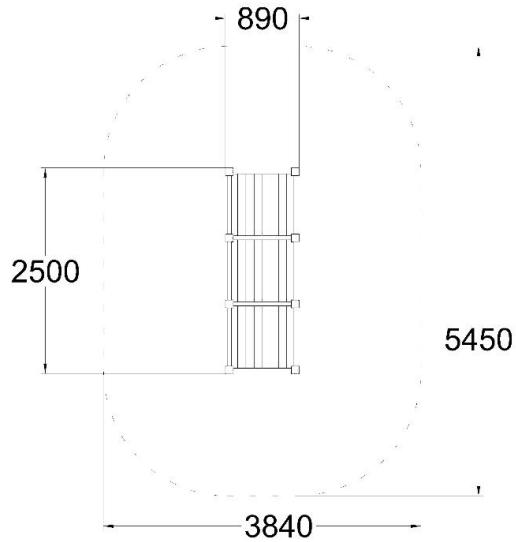


LAPPSET® Q16332
EN Falling Space 19.0 m²

Product length, mm	2490
Product width, mm	890
Product height, mm	710
Impact area, m ²	12.9
Falling space, m ²	19
Height required, mm	2510
Max. free fall height, mm	590
Safety info	EN 16630, EN 1176-1 TÜV