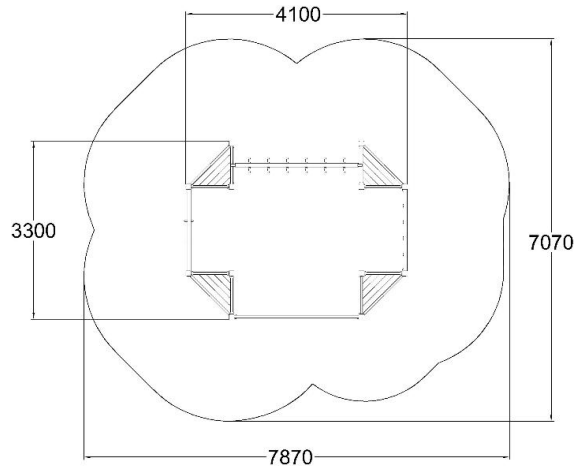


Q14191

MOTORICAL TRACK



| | |
|-----------------------------|---------------|
| Impact area, m ² | 46 |
| Max. free fall height, mm | 1970 |
| Safety info | EN 1176-1 TÜV |
| Ropes | 🔥 |