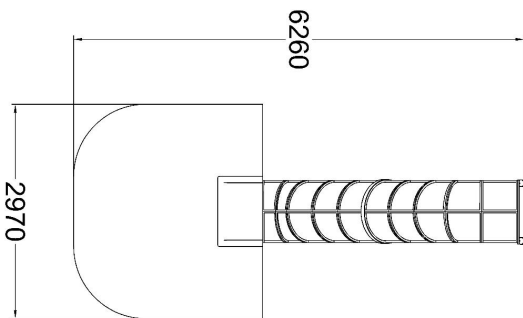
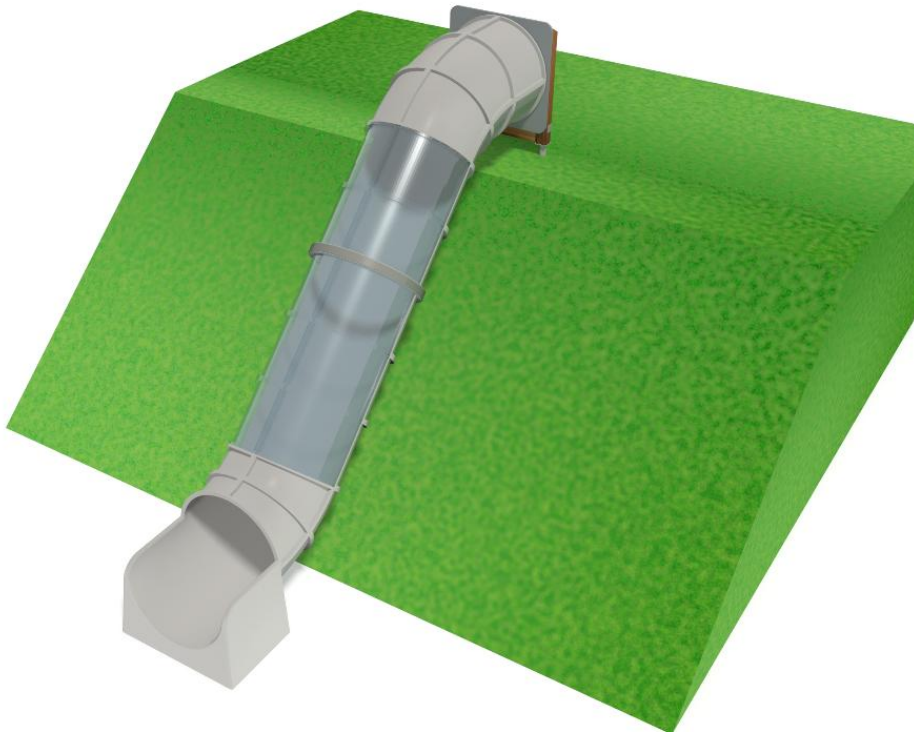


TUBE SLIDE ON HILL



User age	1+
Impact area, m ²	7.4
Falling space, m ²	7.4
Max. free fall height, mm	1000
Safety info	EN 1176-1, 3:2008
Installation time (for 1), h	4