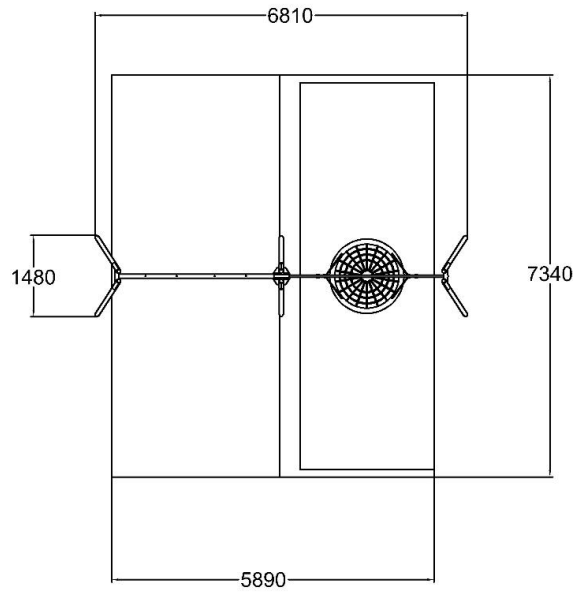


SWING FOR 2 + NEST (LOW)

Number of users	6
Impact area, m ²	40
Max. free fall height, mm	1200
Safety info	EN 1176-1:2017, 2:2020
Installation time (for 1), h	8