

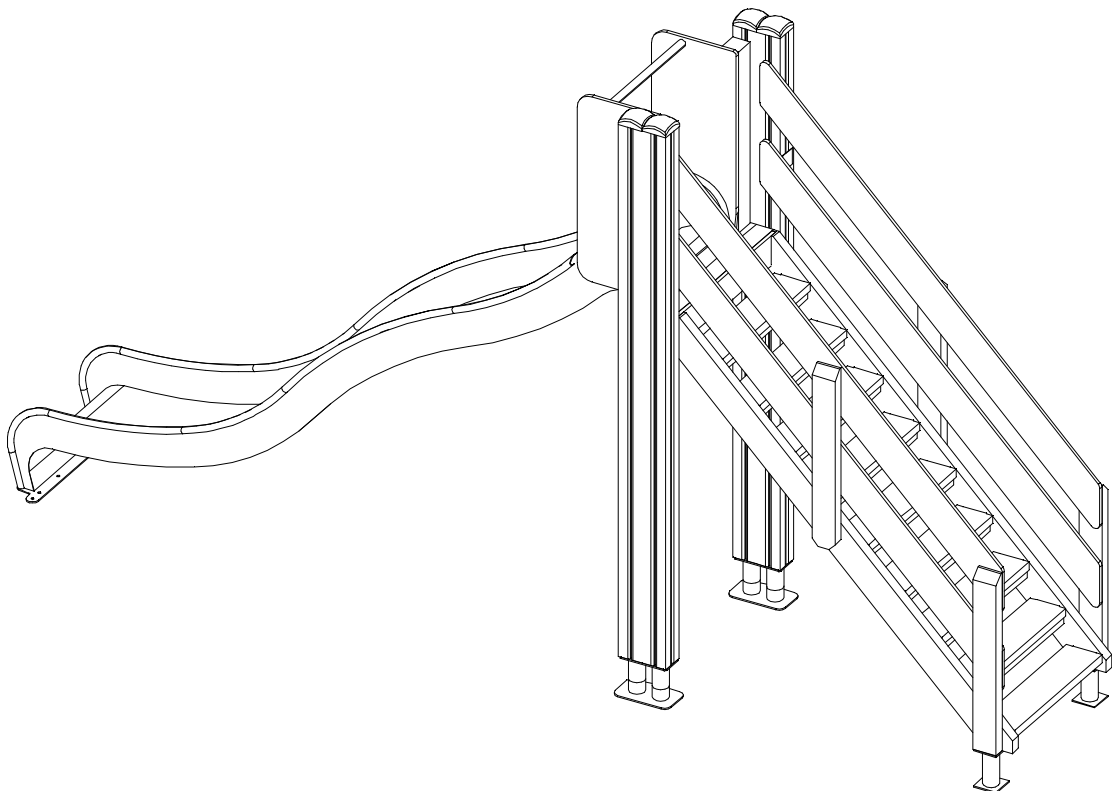


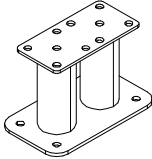
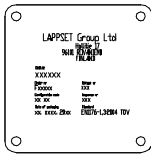
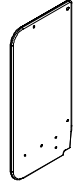

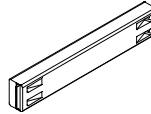


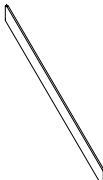
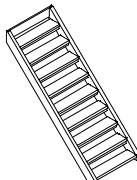
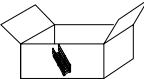
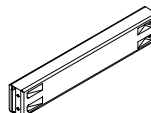
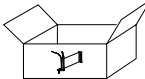
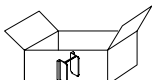

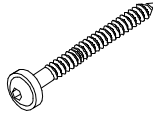
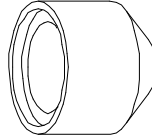
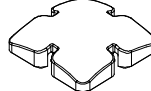
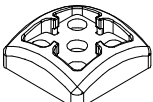
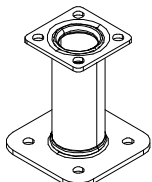

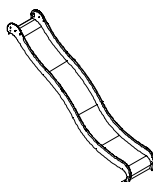


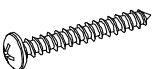
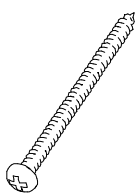
FINNO

ASENNUSOHJE  
MONTERINGSANSVISNING  
INSTALLATION INSTRUCTION  
AUFBAUANLEITUNG  
NOTICE D'INSTALLATION

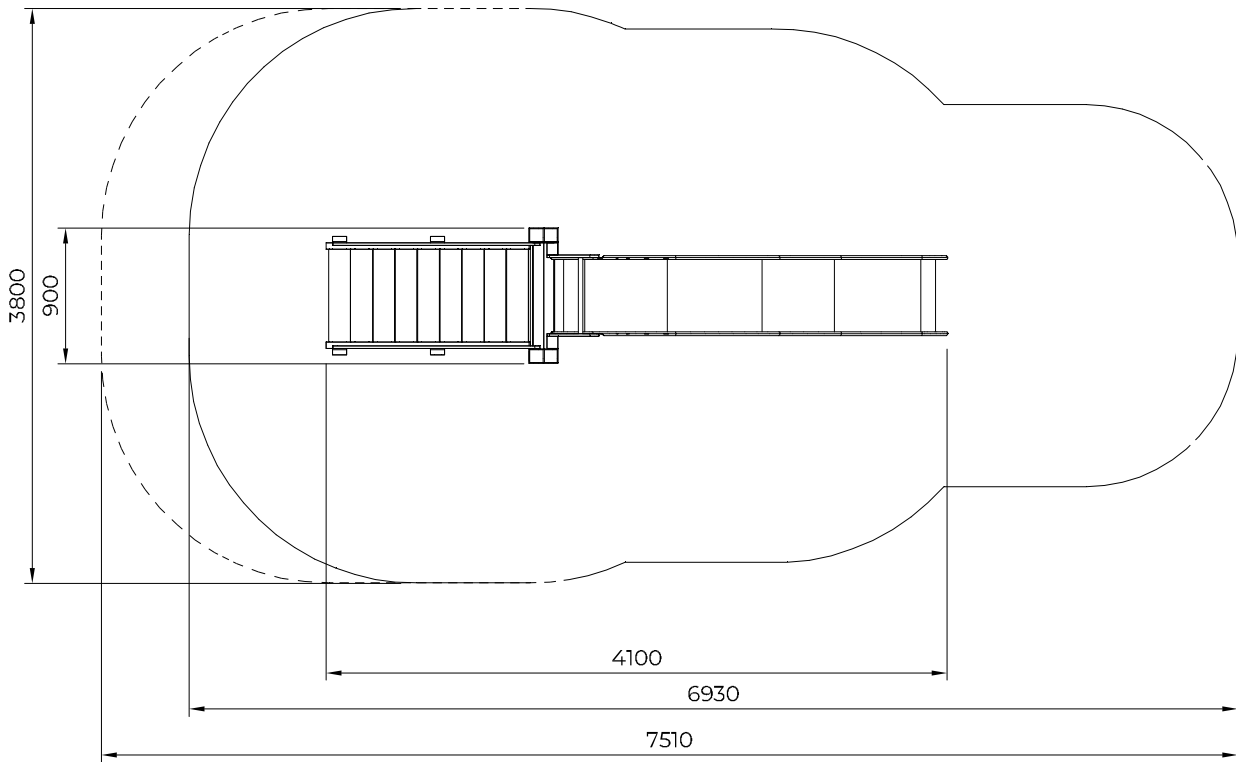
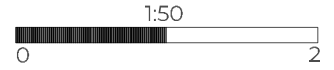
DATE: 6.11.2025

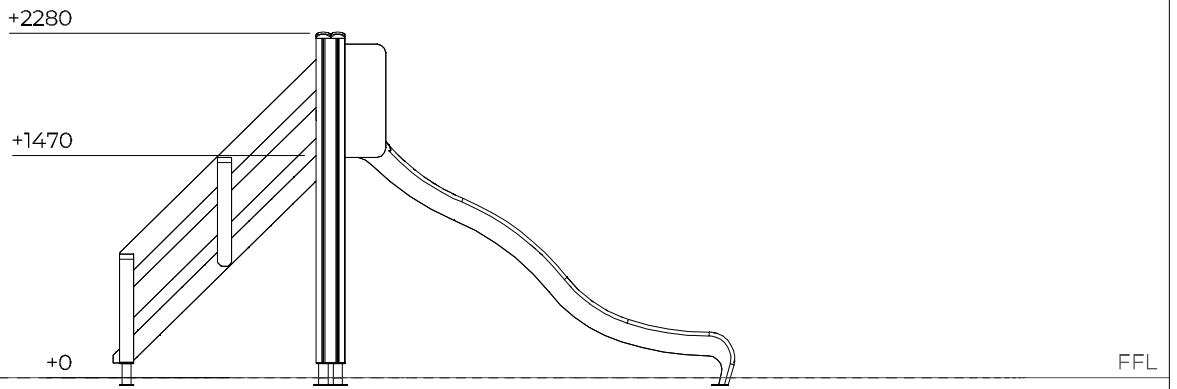
Q19310-1



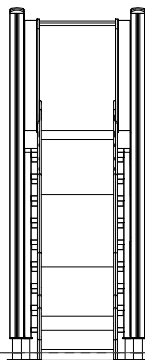
701932  2 65x65	PCS 2	702286  1 65x65	PCS 1	706371-705  2 15x747x343	PCS 2	706484-604  4 L 2150	PCS 4	706512-604  1 70x120x704	PCS 1	707145-604  2 43x93x717	PCS 2
707149-604  2 43x93x717	PCS 2	707152-705  4 15x145x2009	PCS 4	707192-604  1 +1470	PCS 1	707226  1	PCS 1	707940-604  1 70x120x704	PCS 1	709049  1	PCS 1
709152  1	PCS 1	709153  2 70x82x730	PCS 2	903093  8 Ø8x90	PCS 8	905104  16	PCS 16	905138  4 GRAY	PCS 4	905196  4 GRAY	PCS 4
909531  2 130x130x150	PCS 2	909628  8 M10x100	PCS 8	909709  1 +1470	PCS 1	910770  1 Ø30x504	PCS 1	980105  24 Ø5x120	PCS 24	980114  4 Ø4x20	PCS 4
980131  16 Ø6x60	PCS 16		PCS		PCS		PCS		PCS		PCS
	PCS		PCS		PCS		PCS		PCS		PCS
	PCS		PCS		PCS		PCS		PCS		PCS

- EN/AS Impact Area 22 m<sup>2</sup>
- - - - Falling Space 24 m<sup>2</sup>  
Max Falling Height 1470 mm





FFL = Finished Floor Level



FFL = Finished Floor Level

