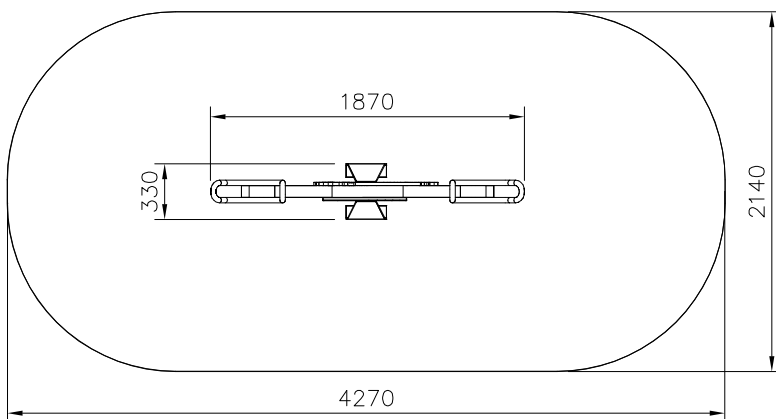
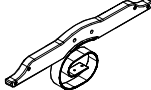



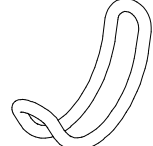
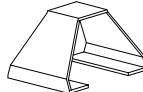


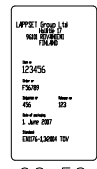
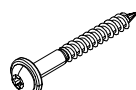


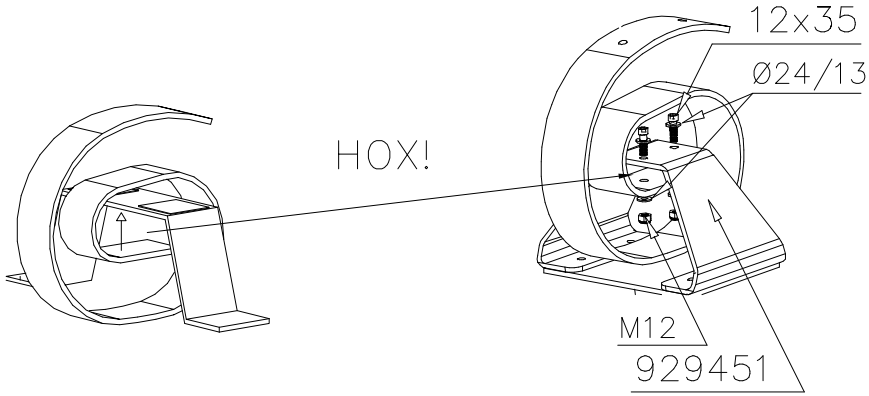
EN Impact Area 8.3 m<sup>2</sup>

Max falling height 590 mm.

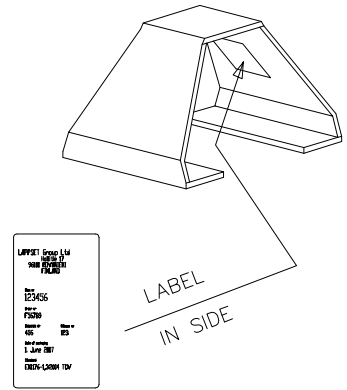


① 706737	PCS	② P18754	PCS
	1		1
1500x510x90			
③ 906511	PCS	④ 909146	PCS
	2		2
M12		M12x35	
⑤ 909851	PCS	⑥ 909895	PCS
	8		2
M8x55		479x249x134	
⑦ 929451	PCS	⑧ 980123	PCS
	1		4
330x240x190		Ø7x60	
⑨ 980154	PCS	⑩ 702341	PCS
	4		1
Ø24/13		90x50	
⑪ 900240	PCS	⑫ 06738-70	PCS
	6		1
Ø8x70			
	PCS		PCS
	PCS		PCS

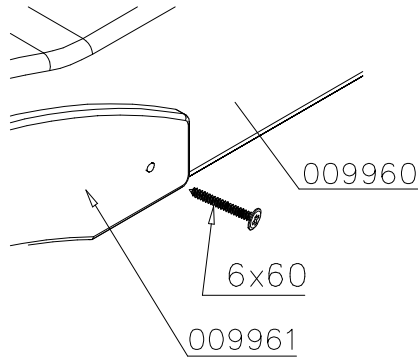
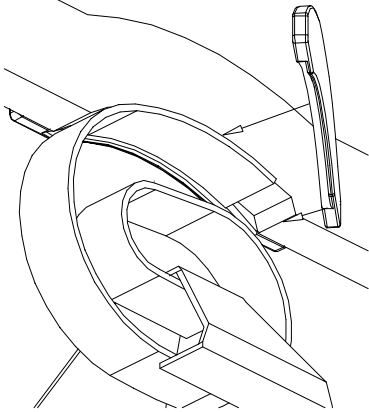
DET 1



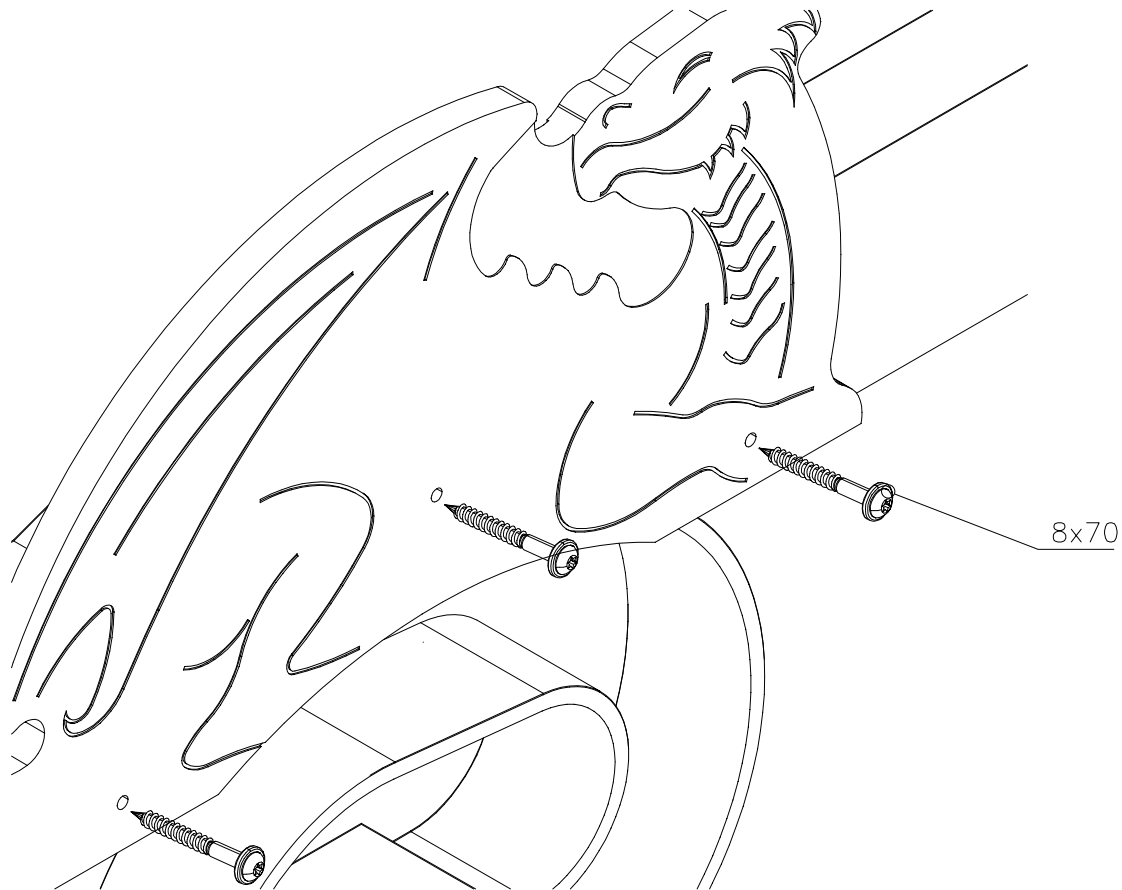
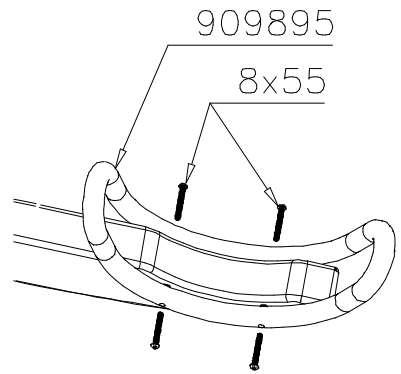
DET 2



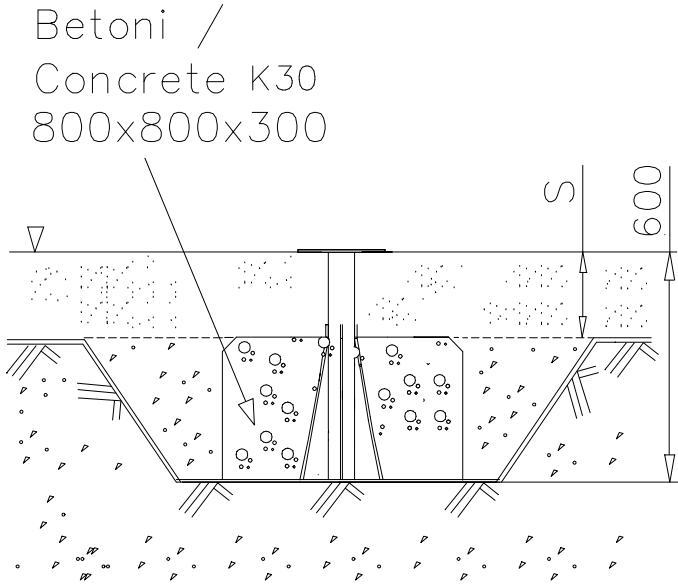
DET 3



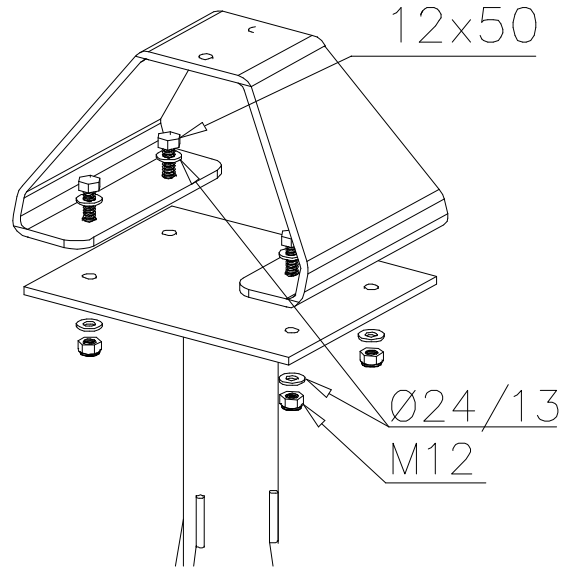
DET 4



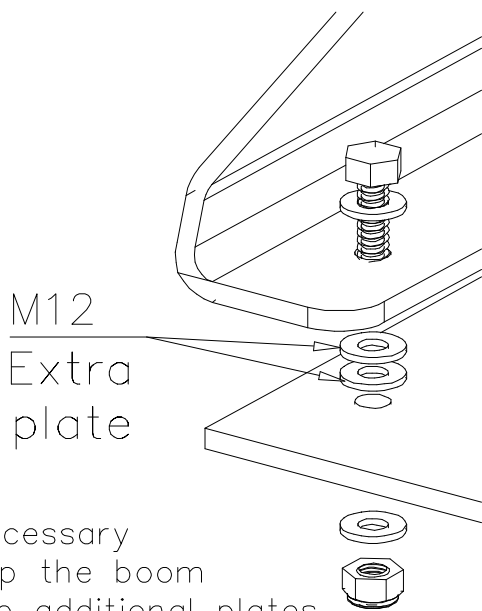
DET 1



DET 2



DET 3



If it is necessary  
to level up the boom  
please use additional plates.

① 929450	PCS	② 906511	PCS
	1		4
300x240x600		M12	
③ 909214	PCS	④ 980154	PCS
	4		18
M12x50		Ø24/13	
	PCS		PCS
	PCS		PCS