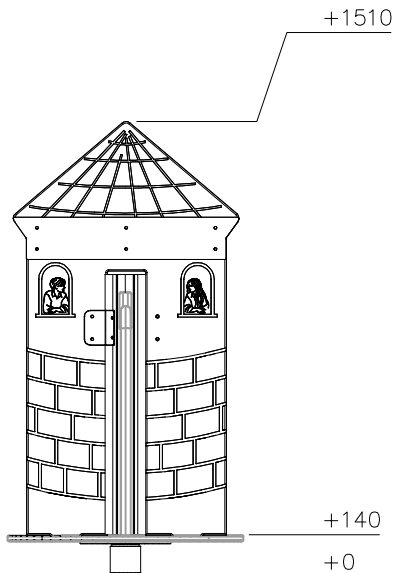
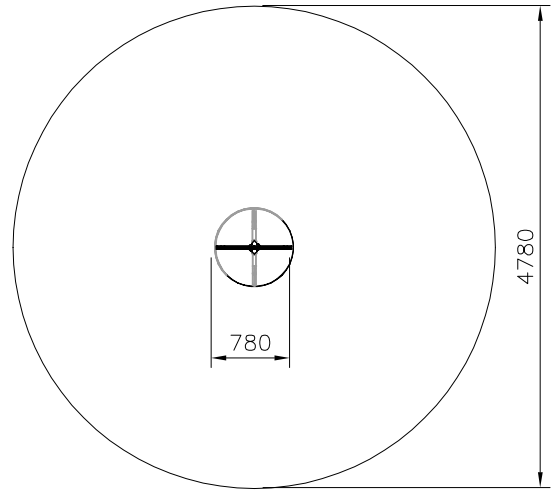


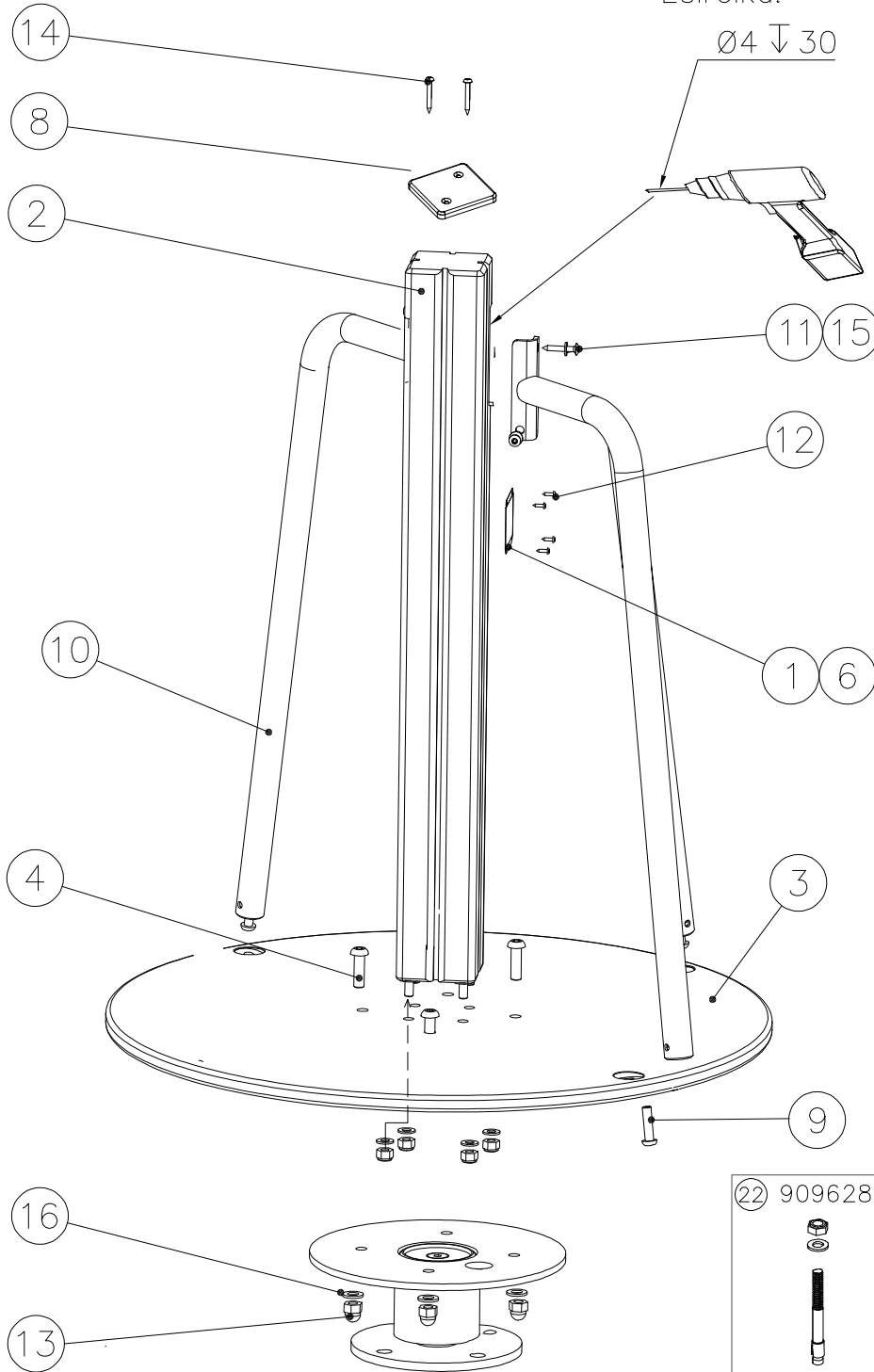
—— EN Impact Area 18 m²
---- Falling Space 18 m²
Max Falling Height 1000 mm



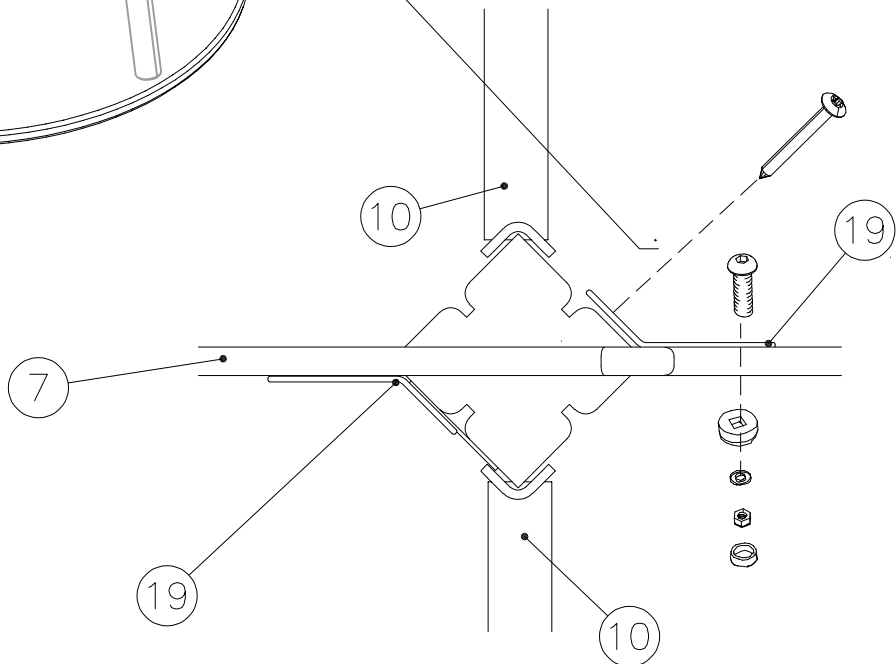
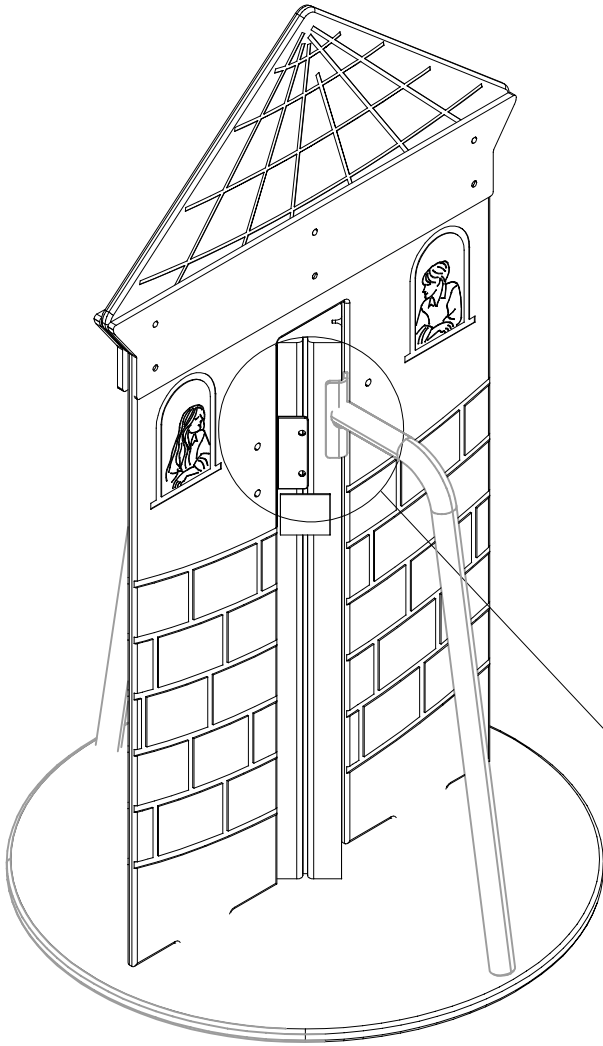
Note:
Pre-Drill hole.

huom!
Esireikä.

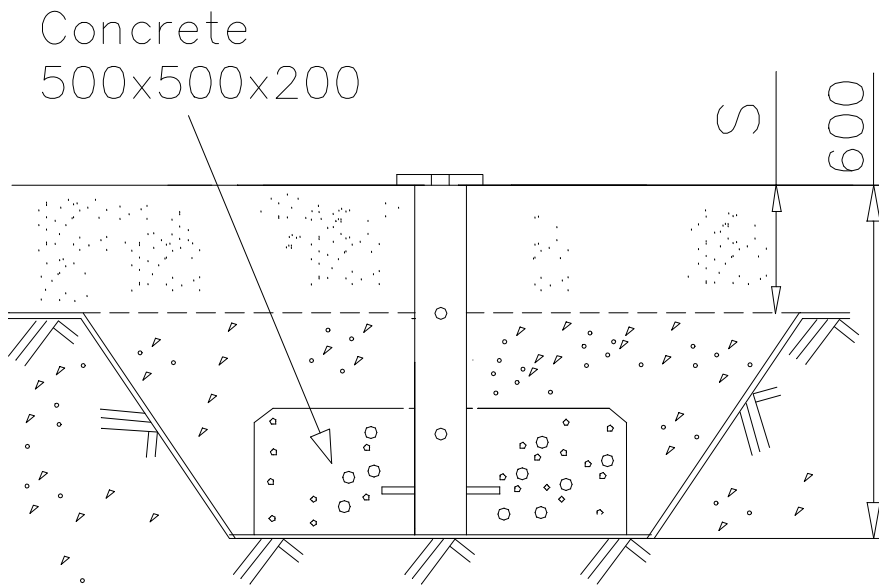
Ø4 ↓ 30

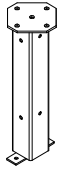





① 702286	PCS	② 706499	PCS
	1		1
90x50		93x93x860	
③ P10167	PCS	④ 900367	PCS
	1		4
20xØ780		M12x40	
⑤ 902012	PCS		PCS
	1		
300x110			
⑦	PCS	⑧ 706481	PCS
	1		1
15x780x1100		GREY -705	
⑨ 907727	PCS	⑩ 907728	PCS
	2		2
M10x40		42x808x327	
⑪ 909256	PCS	⑫ 909506	PCS
	12		4
Ø16/8.4x1.6		Ø3.5x13	
⑬ 909644	PCS	⑭ 980107	PCS
	4		2
M12		Ø6x60	
⑮ 980128	PCS	⑯ 980154	PCS
	8		4
Ø7x40		Ø24/13	
⑰ 905083	PCS	⑱ 907724	PCS
	4		2
Ø32		3x115x110	
⑲ 905112	PCS	⑳ 909855	PCS
	4		4
Ø22		Ø8x35	
⑳ 909855	PCS		
	4		
Ø8x35			
⑲ 907724	PCS		
	2		
3x115x110			
⑱ 905112	PCS		
	4		
Ø22			
⑰ 905083	PCS		
	4		
Ø32			
⑮ 980128	PCS		
	8		
Ø7x40			
⑯ 980154	PCS		
	4		
Ø24/13			



DET 1



⑦	903107	PCS	⑫	909248	PCS
		1		4	
	600		M12		
⑭	909347	PCS	⑰	980154	PCS
		4		8	
	M12x35		Ø24/13		

DET 2

