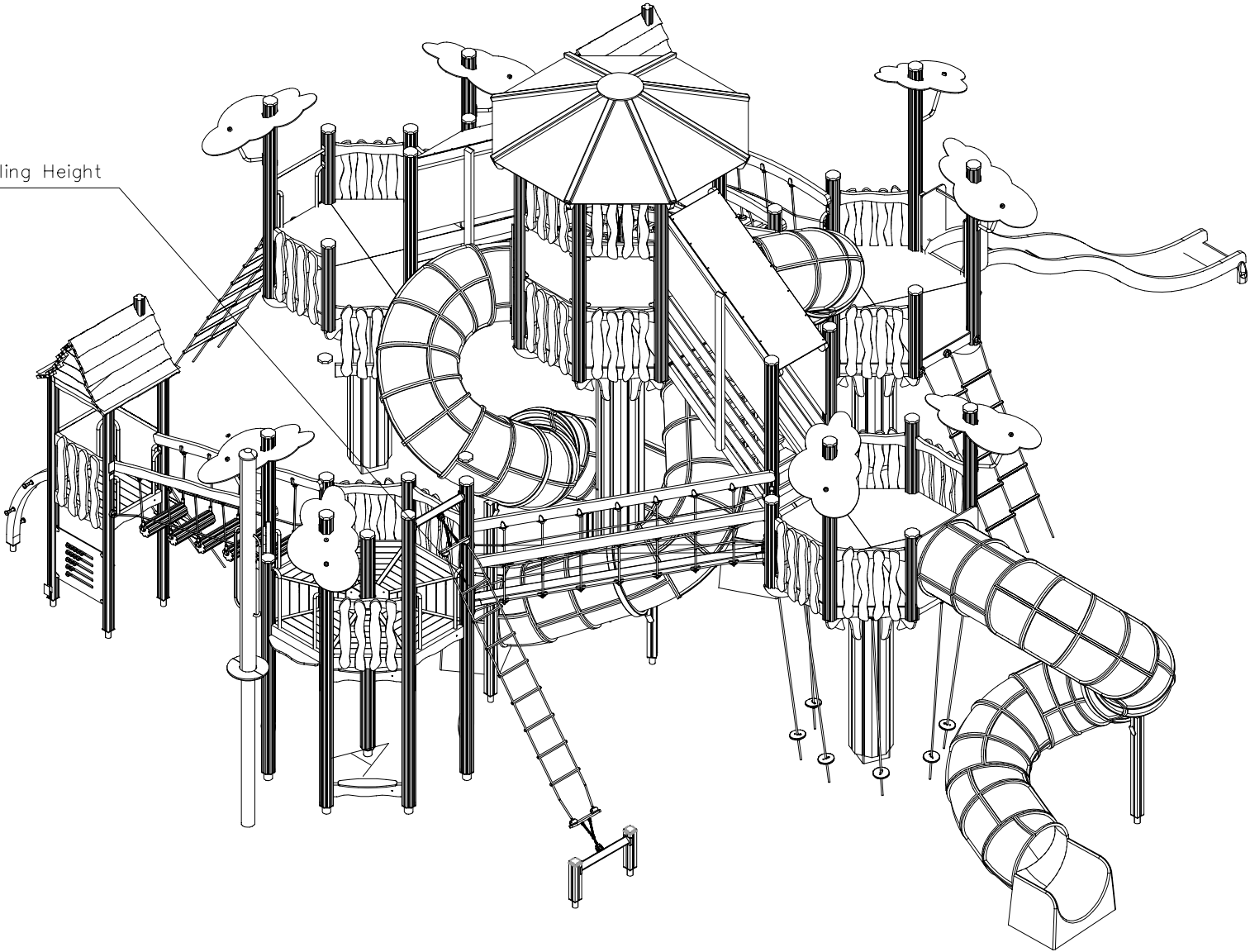
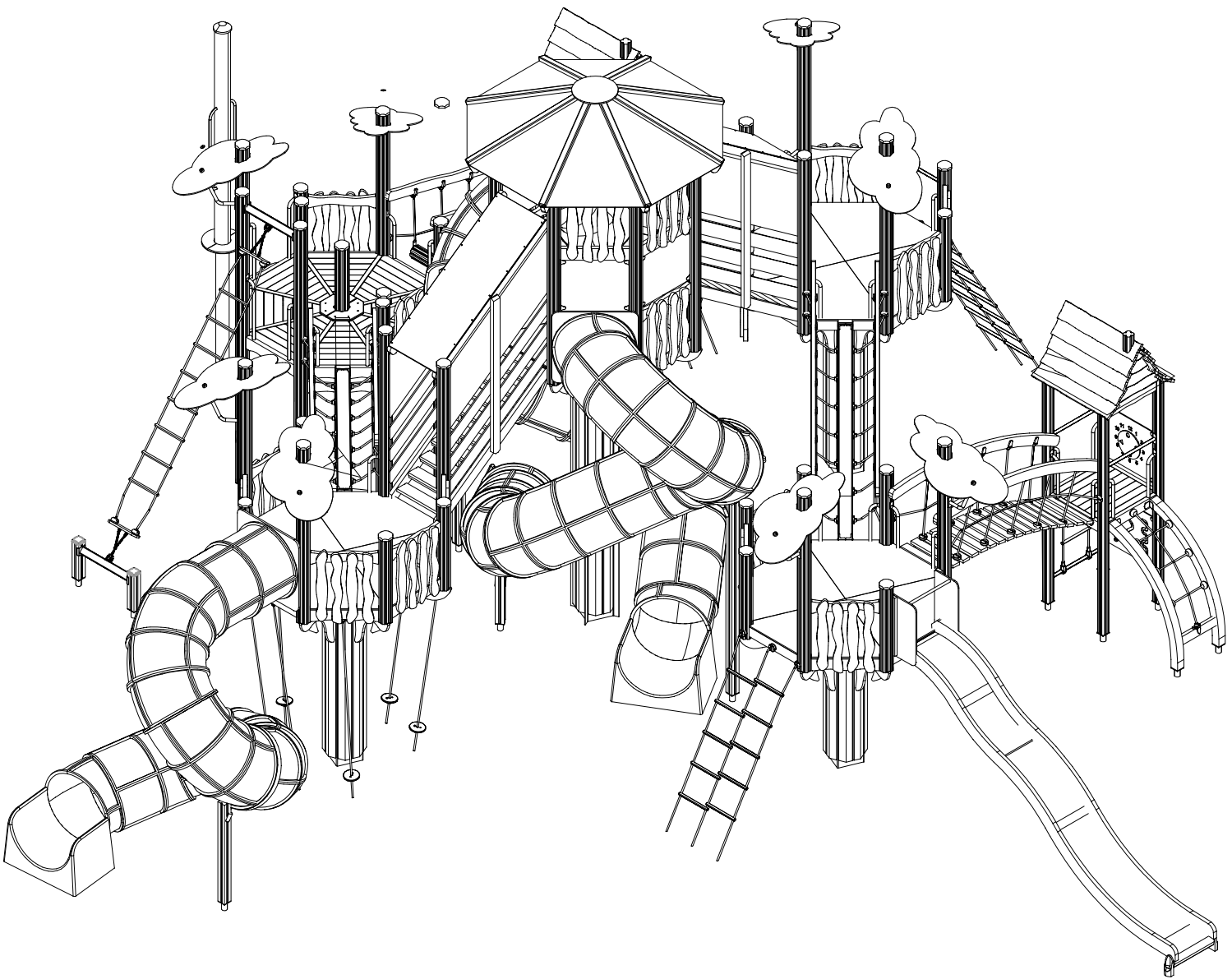
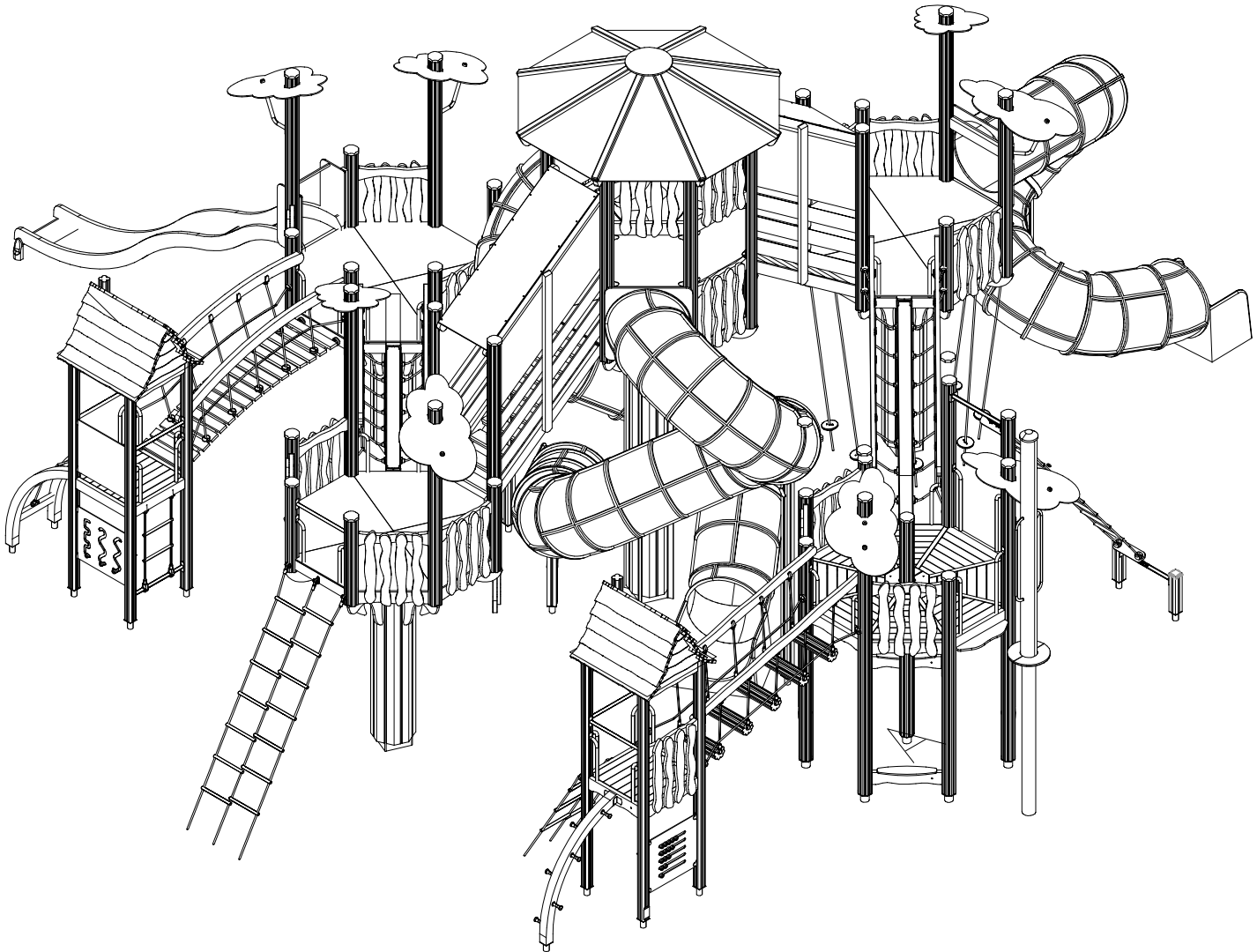
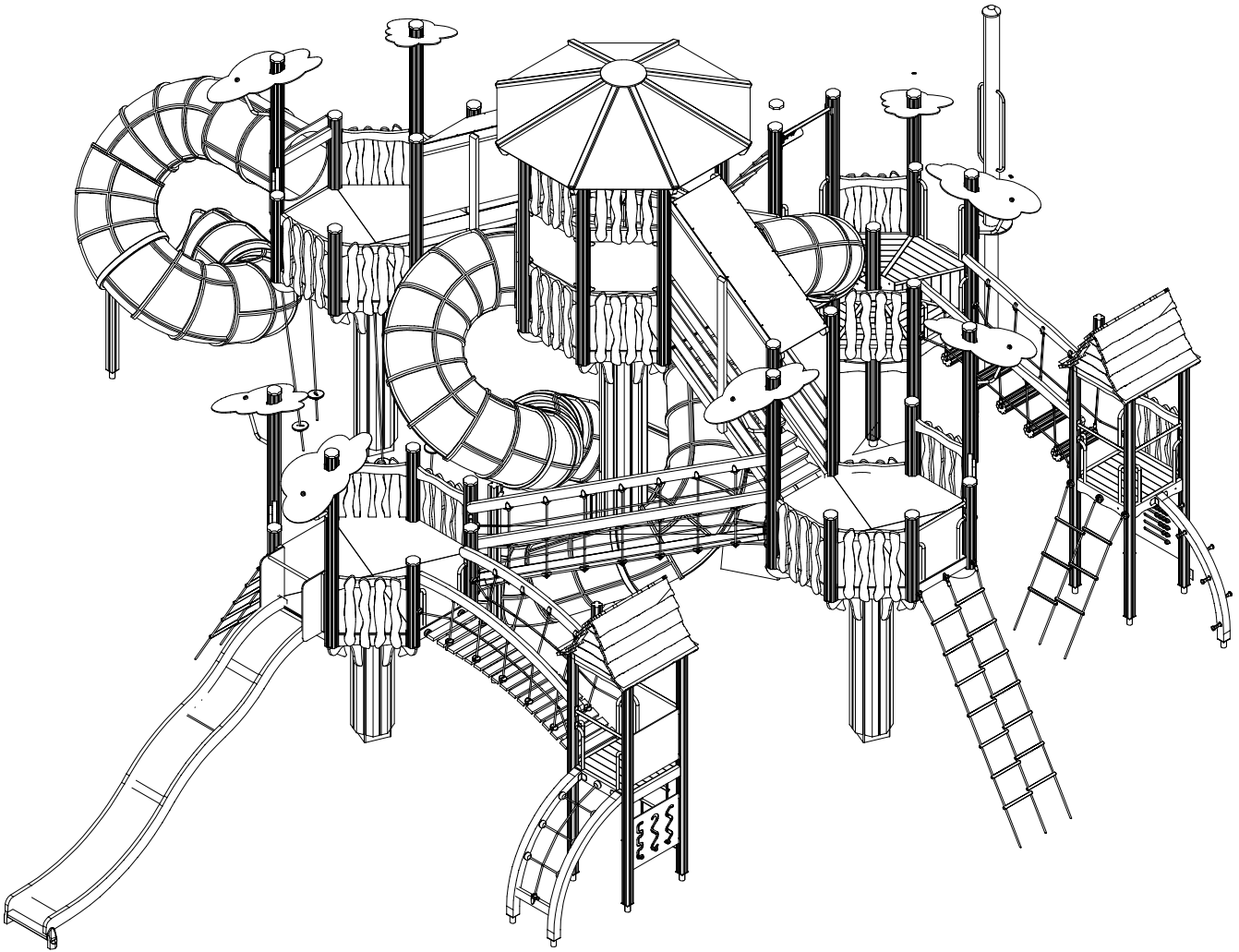


Max Falling Height

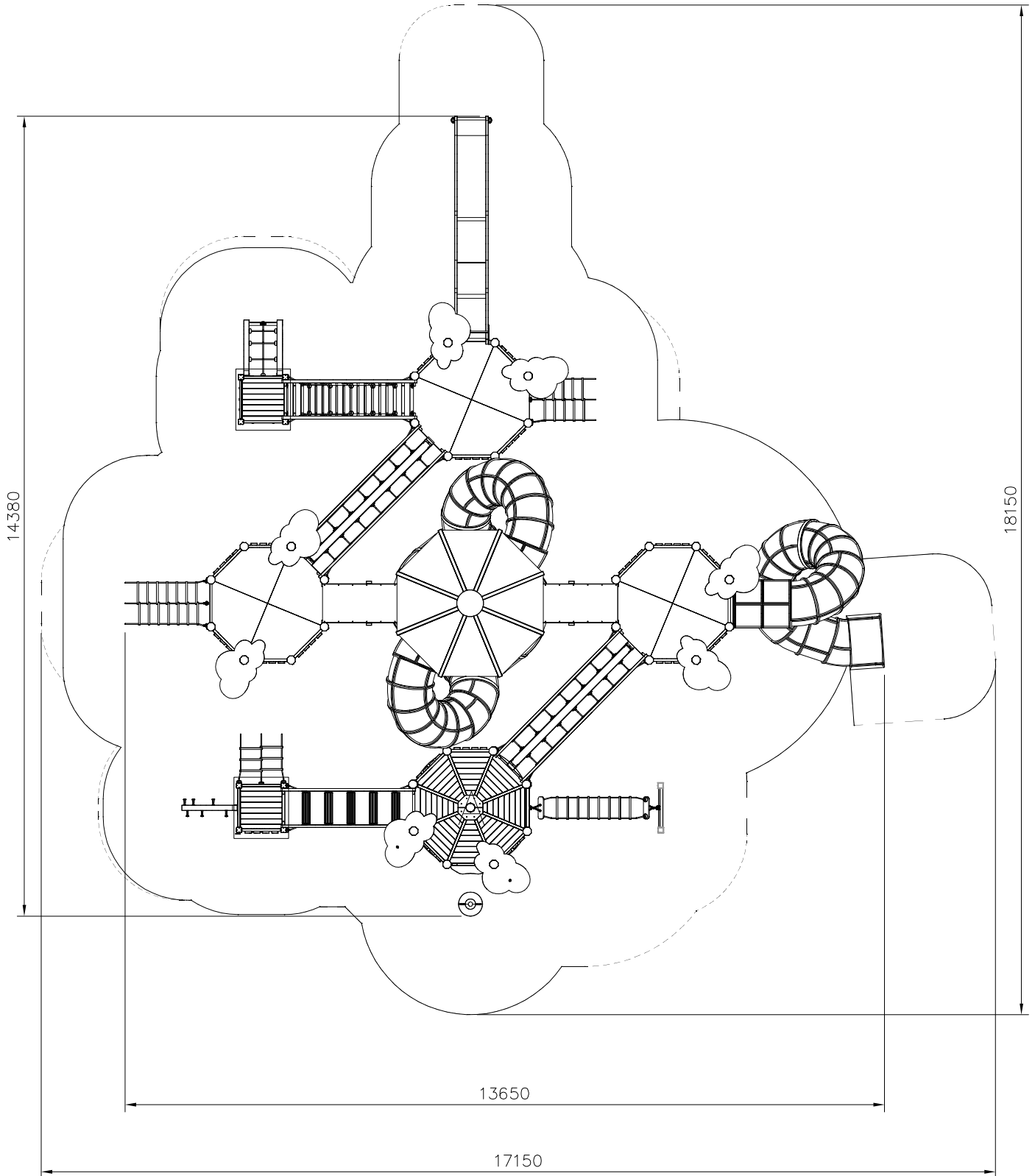








— EN/AS Impact Area 164.6 m<sup>2</sup>  
- - - Falling Space 167 m<sup>2</sup>  
Max Falling Height 2900 mm



+6560

+4840

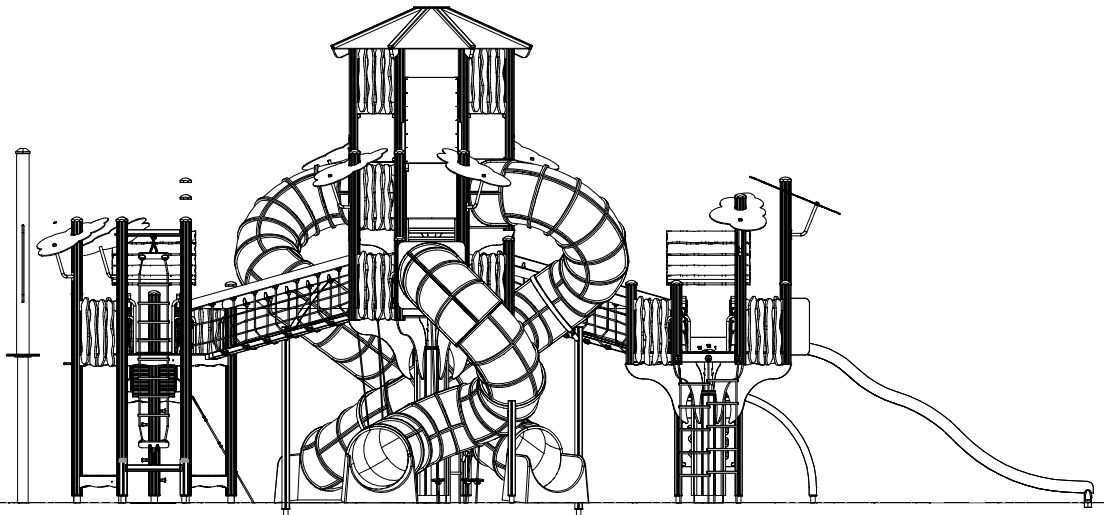
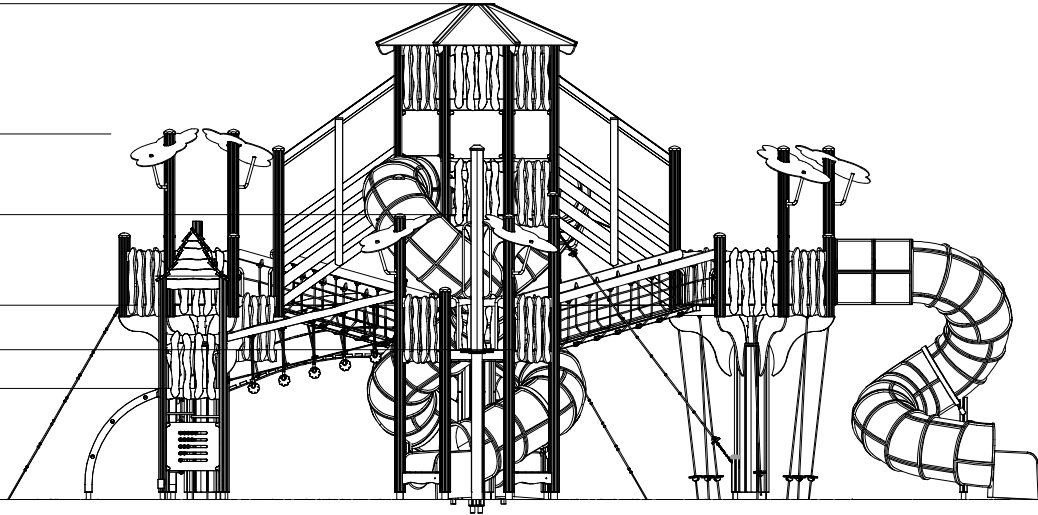
+3770

+2570

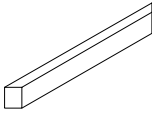


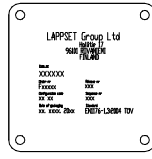
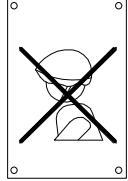


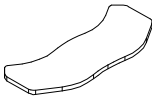
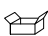
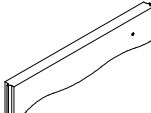
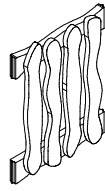


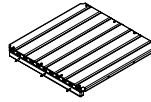
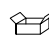
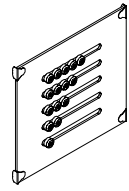
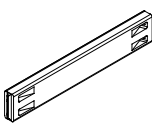
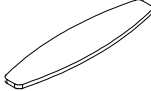

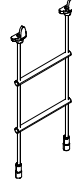
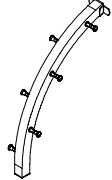

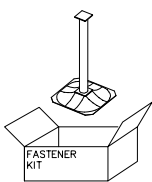
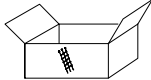
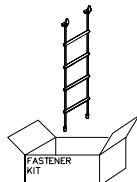
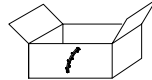

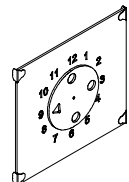
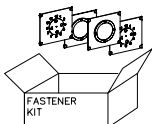


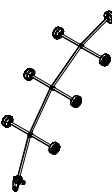
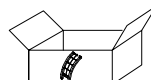

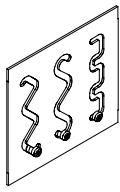
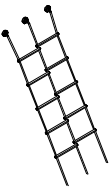
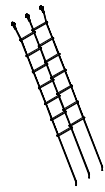
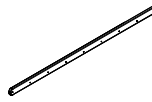
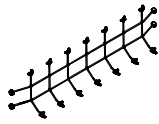

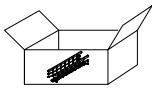
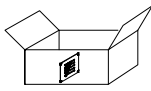
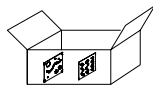
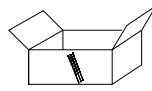

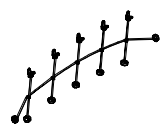
+1980

+1470

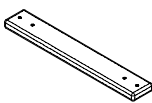

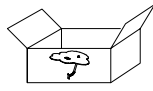
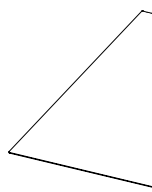
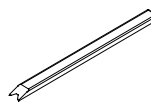

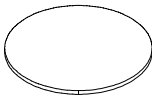
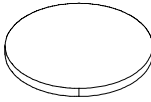
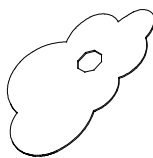
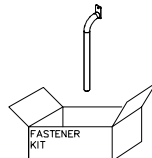
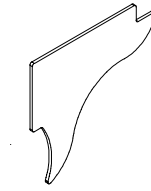
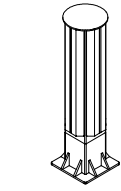

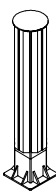
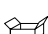
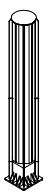
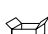
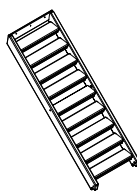

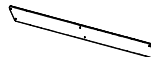
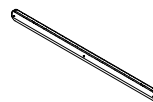
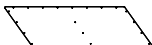
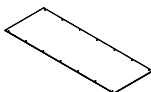
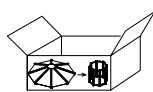

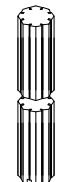
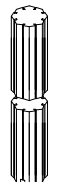
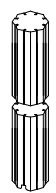
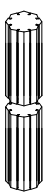
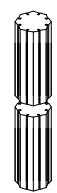
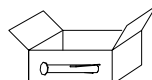
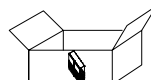
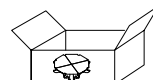
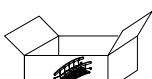
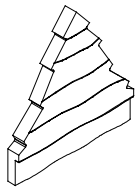


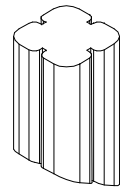
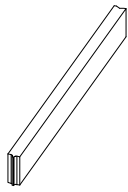


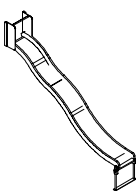
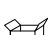
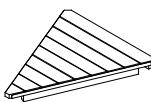
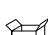
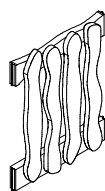

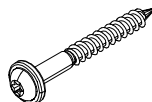
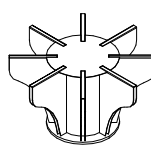
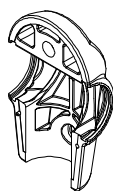
+0



DATE: 12.3.2025

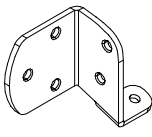
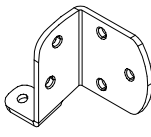
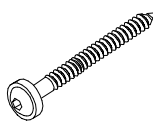

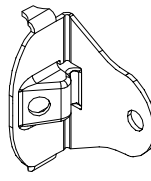
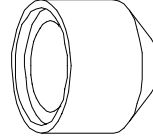
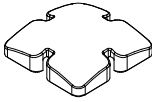
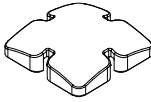
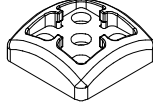
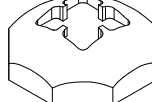
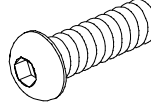

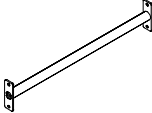

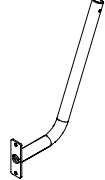


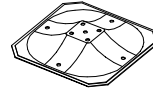
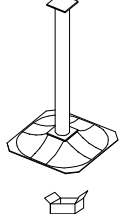
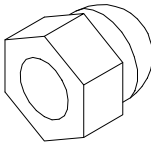
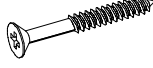
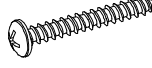

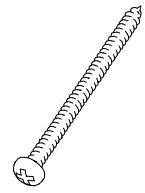
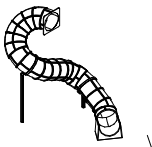
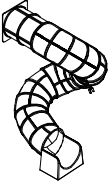

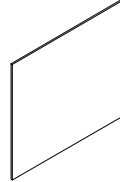
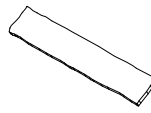
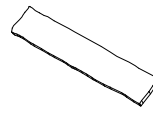


700414  45x95x778	PCS 6	701401  L 1250	PCS 1	701665  45x95x555	PCS 1	702286  65x65	PCS 2	702339  118x78	PCS 2	703703  	PCS 1
703767  	PCS 1	705211-614  45x145x715	PCS 10	705230-614  	PCS 23	705238-614  93x93x2846	PCS 8	705258-614  	PCS 2	706308-707  10x640x702	PCS 1
706439  L 704	PCS 26	706453-707  15x145x600	PCS 4	706462-303  +1470	PCS 1	706473-303  +1470	PCS 1	706475  1387x1020x325	PCS 1	706499  93x93x860	PCS 2
706531  FASTENER KIT	PCS 10	706536  FASTENER KIT	PCS 2	706546  FASTENER KIT	PCS 1	706607  FASTENER KIT	PCS 1	706669  93x93x2400	PCS 2	706772-707  FASTENER KIT	PCS 1
706778  FASTENER KIT	PCS 1	706871  95x1005x1365	PCS 1	706872  95x1005x1365	PCS 1	706873-303  1455x505	PCS 1	706877  FASTENER KIT	PCS 1	707331  93x93x470	PCS 2
707386-707  10x640x702	PCS 1	707393-303  +1970	PCS 1	707395-303  +2570	PCS 1	707412  45x120x3280	PCS 4	707413-303  800x3140	PCS 4	707415  FASTENER KIT	PCS 2
707417  FASTENER KIT	PCS 2	707446  FASTENER KIT	PCS 1	707450  FASTENER KIT	PCS 1	707451  FASTENER KIT	PCS 1	707584  55x120x2480	PCS 2	707604-303  685x2394	PCS 2

DATE: 12.3.2025

707607  32x95x612	PCS 17	707608-303  Ø16x2374	PCS 2	707665 	PCS 8	707667-707  10x1295x1075	PCS 8	707688  45x70x1385	PCS 8	707689  45x145x1495	PCS 8
707691-707  15xØ480	PCS 1	707692-707  15xØ225	PCS 1	707700-707  10x750x1290	PCS 8	707732  FASTENER KIT	PCS 30	707757-609  21x926x1020	PCS 32	707767  	PCS 1
707768  	PCS 2	707769  	PCS 1	707772  700x120x2000	PCS 2	707778  45x95x1950	PCS 4	707779-707  15x145x2086	PCS 12	707780  45x120x2045	PCS 4
707788  8x2632x672	PCS 4	707789  8x695x1955	PCS 2	707792 	PCS 1	707806-704  15x1095x1095	PCS 16	707811  140x140x2420	PCS 11	707812  140x140x2200	PCS 7
707813  140x140x1050	PCS 14	707822  140x140x2650	PCS 5	707825  140x140x3625	PCS 4	707866 	PCS 9	707871 	PCS 2	707872 	PCS 4
707876 	PCS 1	708374-001  690x704	PCS 4	708457-614  	PCS 1	708469-001  93x93x200	PCS 2	711384-614  45x120x970	PCS 8	711563  	PCS 1
711586-614  	PCS 1	711598-614  	PCS 8	711812-614  	PCS 6	900240  Ø8x70	PCS 46	900436  Ø924x512	PCS 4	901902  30.7x60.9x100	PCS 4



DATE: 12.3.2025

902439  Left Hand	PCS 1	902474  Right Hand	PCS 1	903093  Ø8x90	PCS 194	903112  135x135x750	PCS 9	903176 	PCS 24	905104  M10	PCS 32
905138  GRAY	PCS 2	905139  BLACK	PCS 36	905196  GRAY	PCS 2	905197  BLACK	PCS 36	905827  M8x20	PCS 24	907688-216 	PCS 4
907694-216  40x120x704	PCS 6	907701-216  26	PCS 26	908207-216  336x392x40	PCS 8	909256  Ø16/8,4x1,6	PCS 48	909511  90x90x650	PCS 10	909519  50x380x380	PCS 16
909521  8	PCS 8	909633  M8	PCS 24	980100  Ø5x60	PCS 80	980114  Ø4x20	PCS 16	980123  Ø7x60	PCS 40	980131  6x60	PCS 152
A10007-3  +3800 G/T	PCS 2	A10020-11  +2600 G/T	PCS 1	A10260  L 2905	PCS 7	P08236  8x640x702	PCS 6	P13450  28x200x1100	PCS 16	P13453  28x200x1100	PCS 2
P13454  28x200x1100	PCS 2	P00110  20x225x450	PCS 2		PCS		PCS		PCS		PCS
	PCS		PCS		PCS		PCS		PCS		PCS