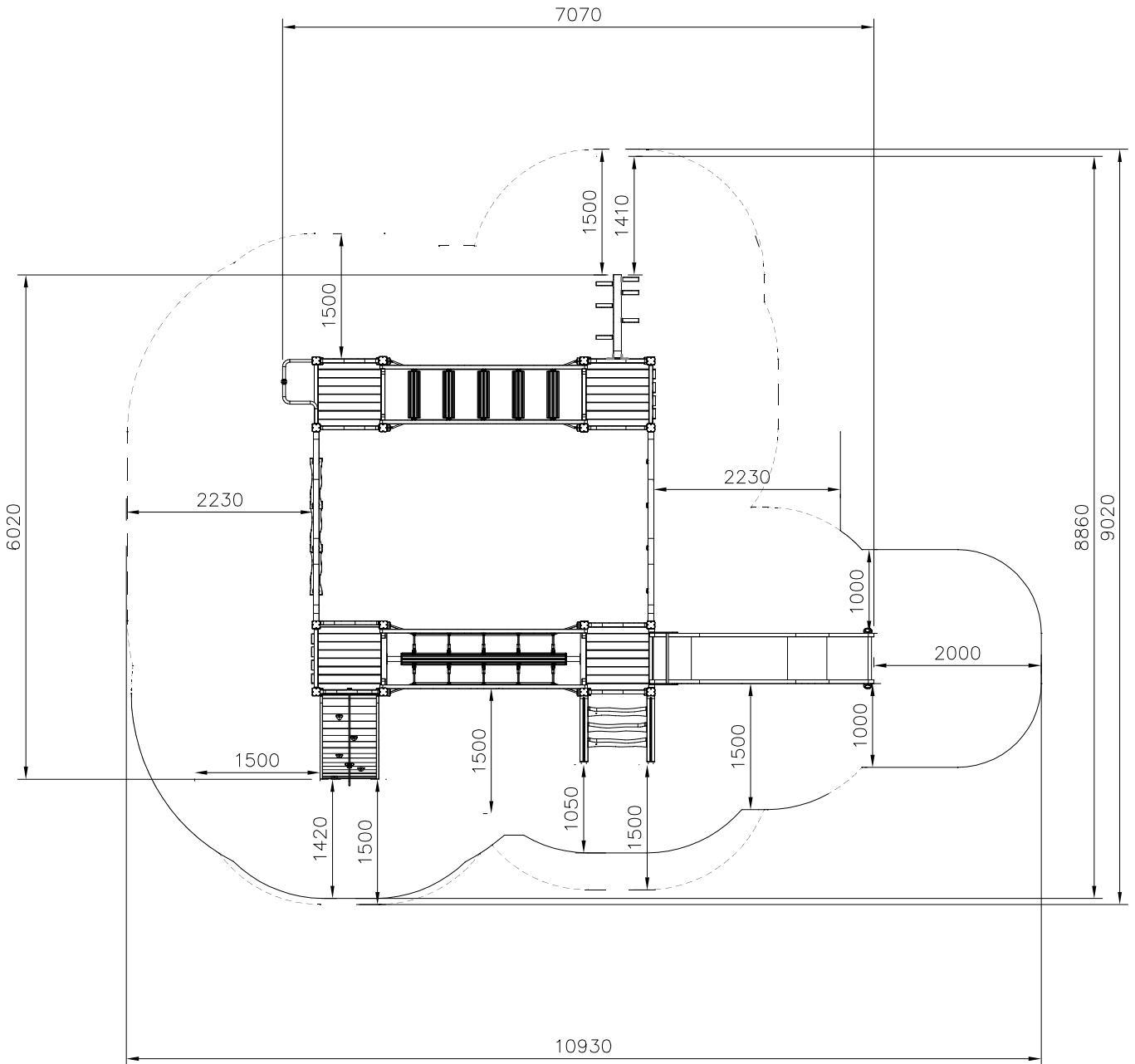
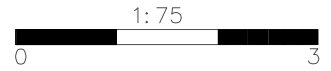
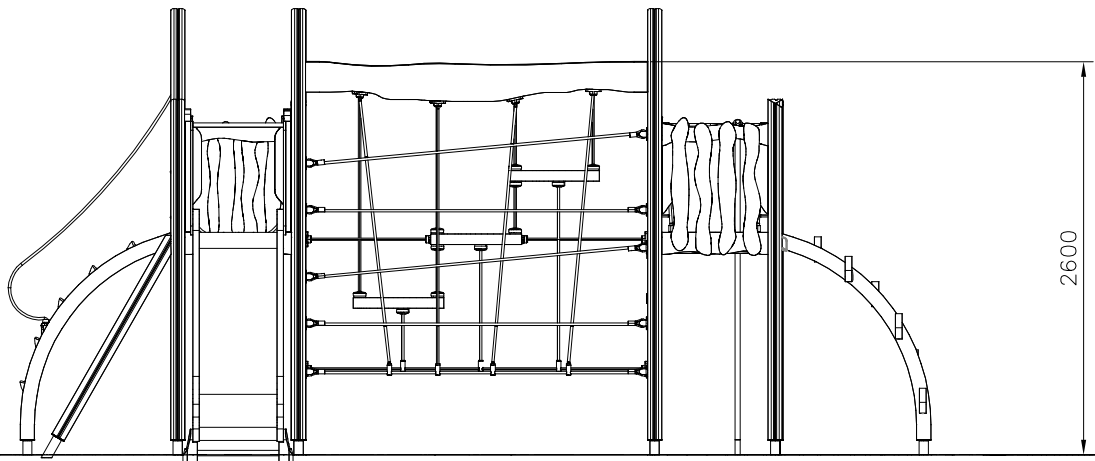
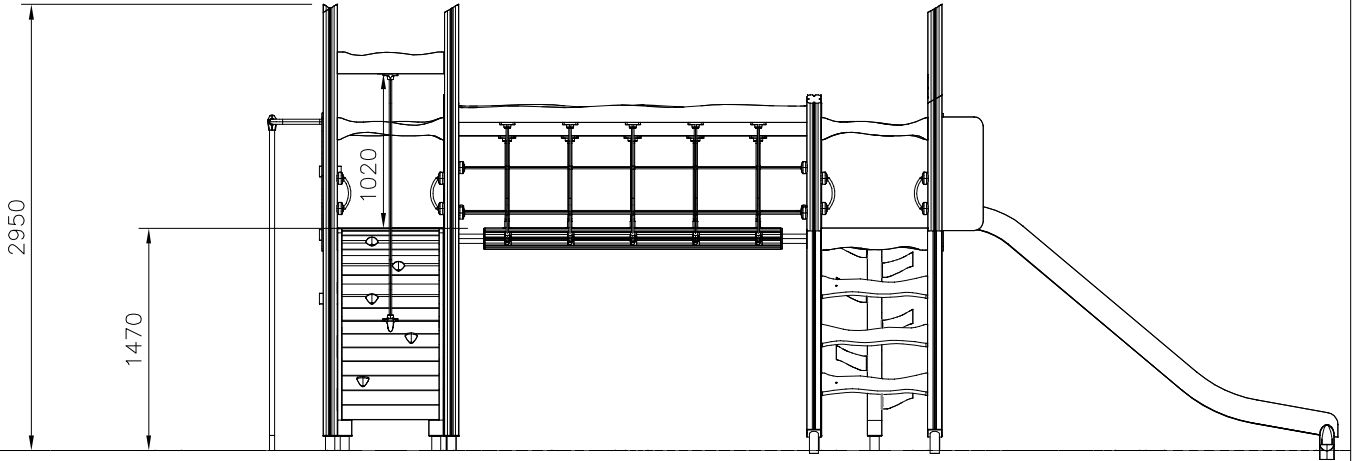

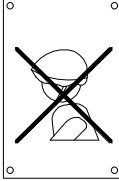
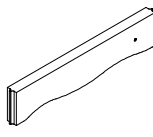
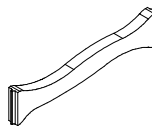

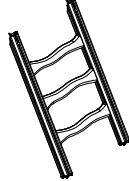

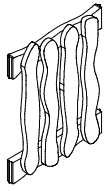
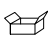

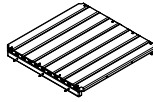

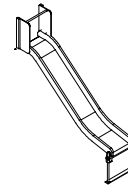
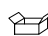
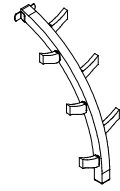


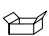
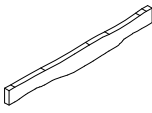
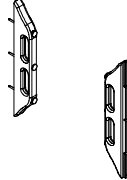

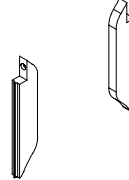


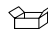
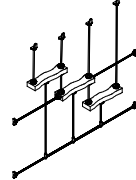

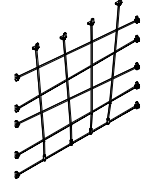



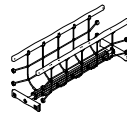

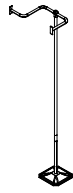

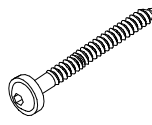
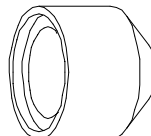
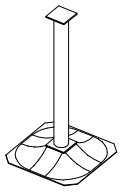

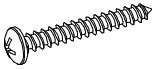


- EN/AS Impact Area 68.4 m²
- - - - Falling Space 68.4 m²
Max Falling Height 2600 mm





DATE: 14.2.2025

702286  65x65	PCS 1	702339  118x78	PCS 1	705211-001  45x145x724	PCS 13	705214-001  45x145x724	PCS 10	705217-001  93x93x2250	PCS 10	705227-001  	PCS 1
705230-001  	PCS 2	705238-001  93x93x2846	PCS 6	705258-001  	PCS 4	705308-001  	PCS 1	705368-001  	PCS 1	705375-001  	PCS 1
705431-001  68x260x2280	PCS 2	705506-001  	PCS 2	705507-001  	PCS 2	705511  	PCS 8	705917-001  	PCS 1	705927  	PCS 1
708457-001  	PCS 1	708761-001  	PCS 1	711467  	PCS 1	903093  Ø8x90	PCS 84	905104  M10	PCS 84	909521  	PCS 21
980114  Ø4x20	PCS 8		PCS		PCS		PCS		PCS		PCS
	PCS		PCS		PCS		PCS		PCS		PCS
	PCS		PCS		PCS		PCS		PCS		PCS