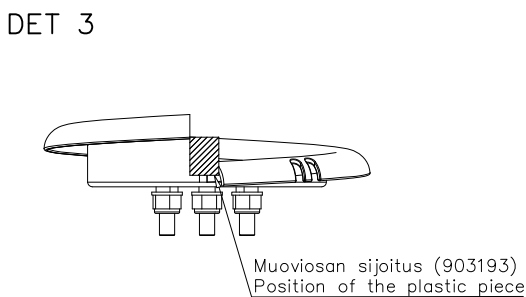
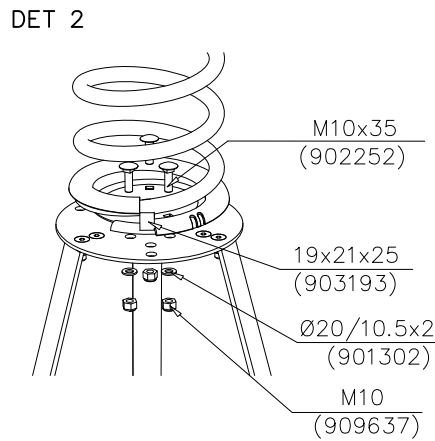
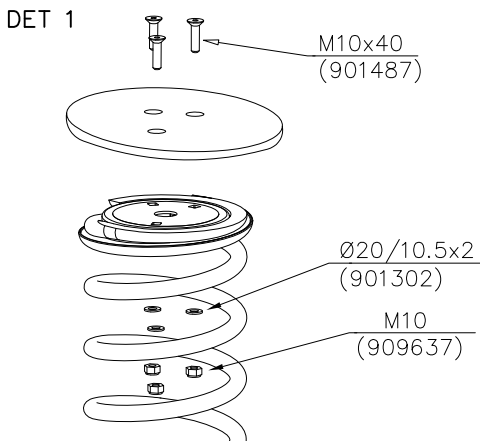


① 903191	PCS	② 901487	PCS
	2		3
		M10x40	
	PCS		PCS
	PCS		PCS
	PCS		PCS
	PCS		PCS
	PCS		PCS
	PCS		PCS
	PCS		PCS
	PCS		PCS
	PCS		PCS





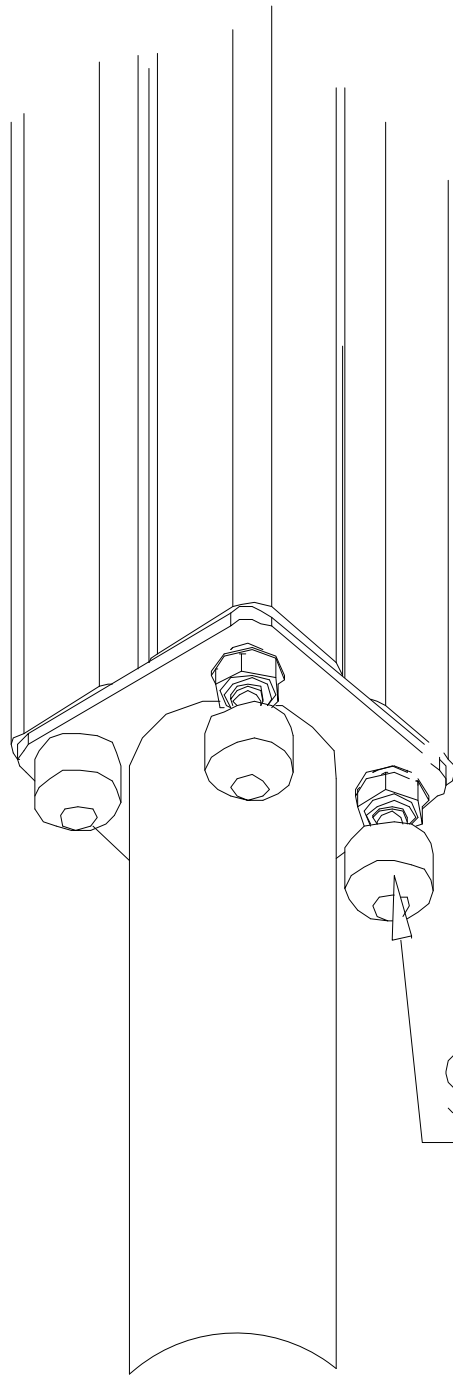
**LAPPSET®**  
**BETON FOUNDATION**

**FOOT**

DATE: 27.10.2015

**1(1)**

② 905104	PCS		PCS
	4		
 M10	PCS		PCS



905104

# LAPPSET® DEEP FOUNDATION

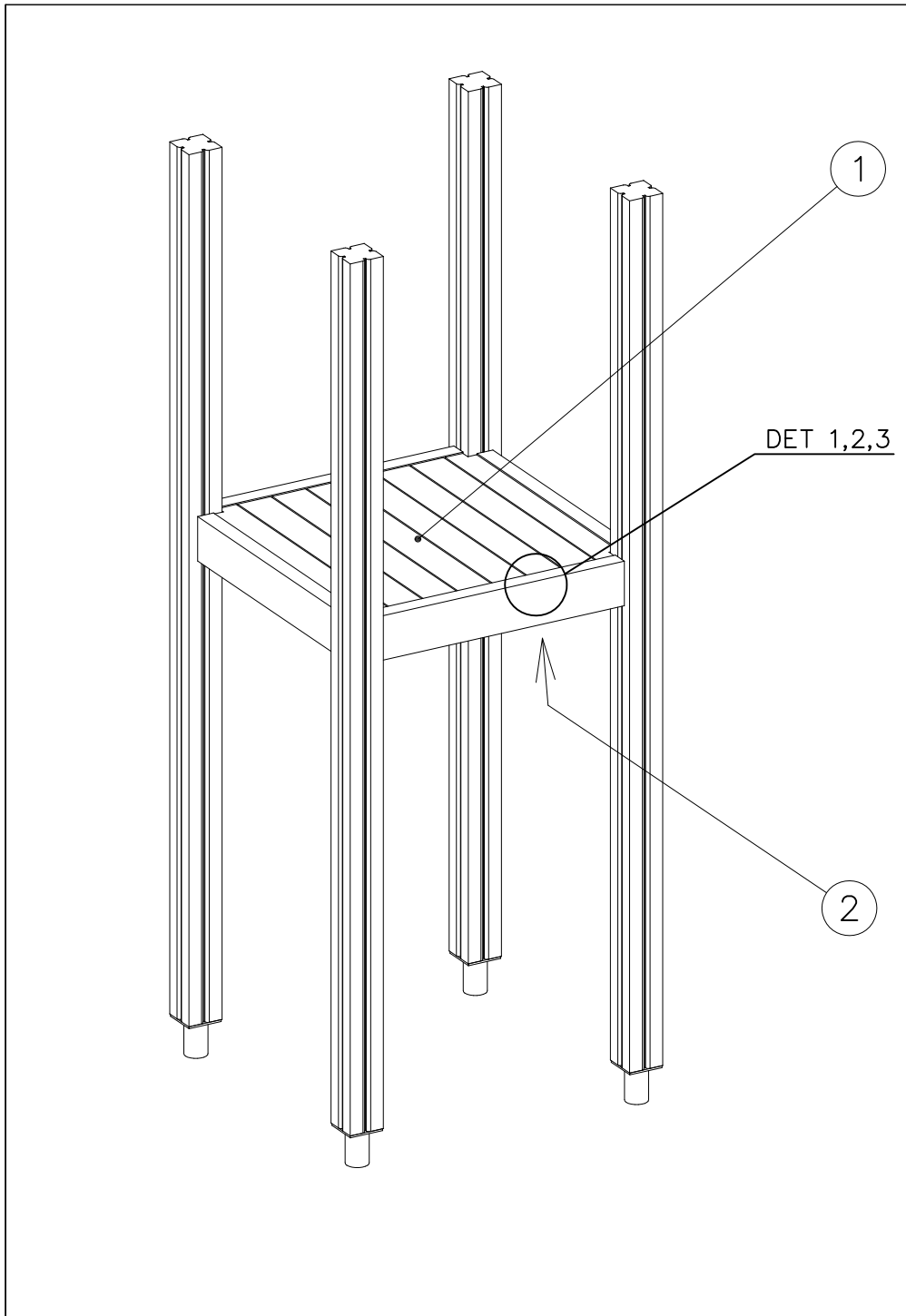
# FOOT

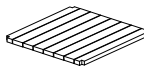
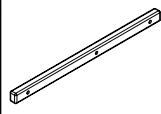
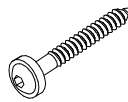

DATE: 15.5.2018

1(1)



①	909511	PCS	②	909519	PCS
		1			1
	90x90x650			50x380x380	
③	909637	PCS	④	909638	PCS
		4			8
	M10			Ø20/10.5	
⑤	909639	PCS	⑥	905104	PCS
		4			4
	M10x25			M10	
OPTION FOOT					
①	911155	PCS			PCS
		1			
	90x90x650				



① 008986	PCS	② 706443	PCS
	1		2
750x750		32x45x702	
③ 900240	PCS	④ 980101	PCS
	6		8
Ø8x70		Ø4.5x70	
	PCS		PCS
	PCS		PCS
	PCS		PCS

DET 1

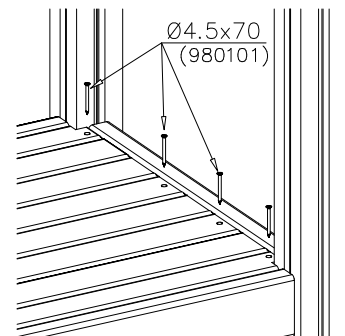


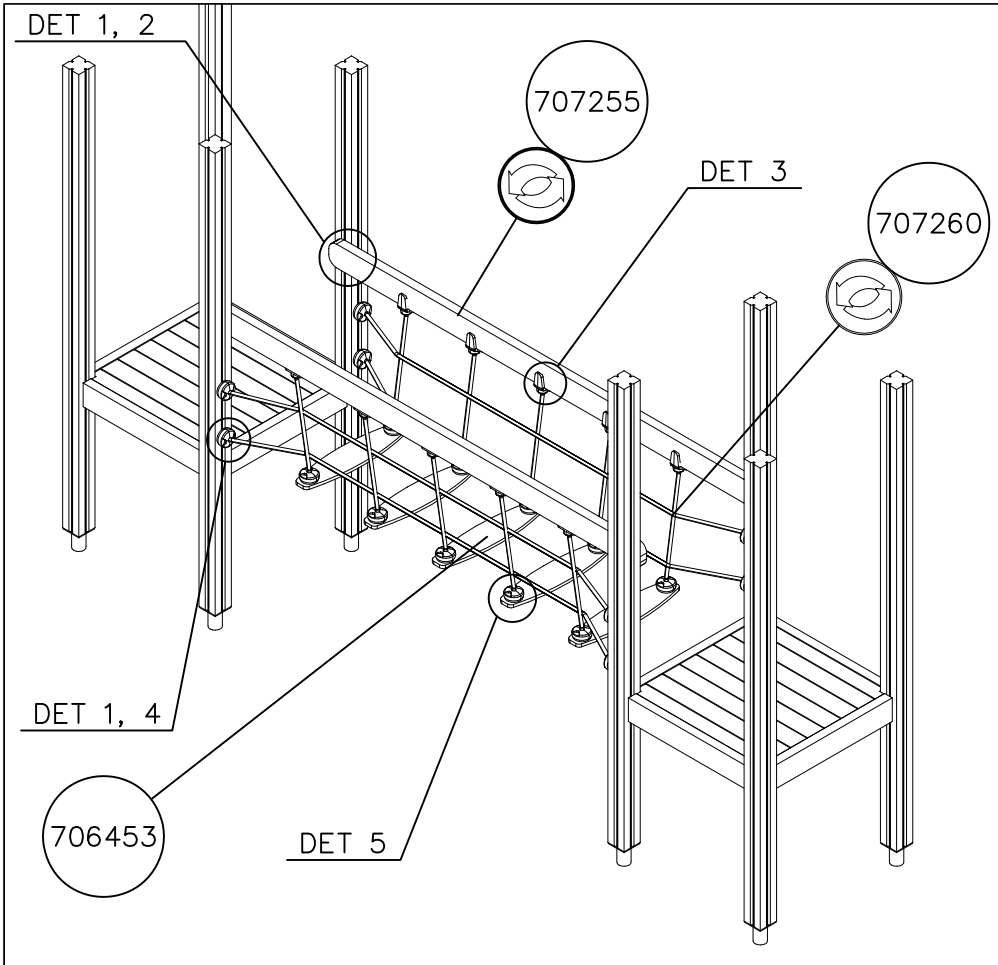
DET 2

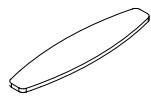
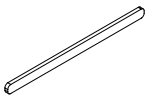
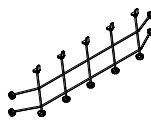
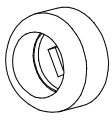
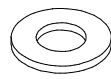

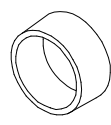
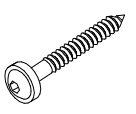
Naulanauha kannatinlistan puolelle.  
Nail list to the bottom.

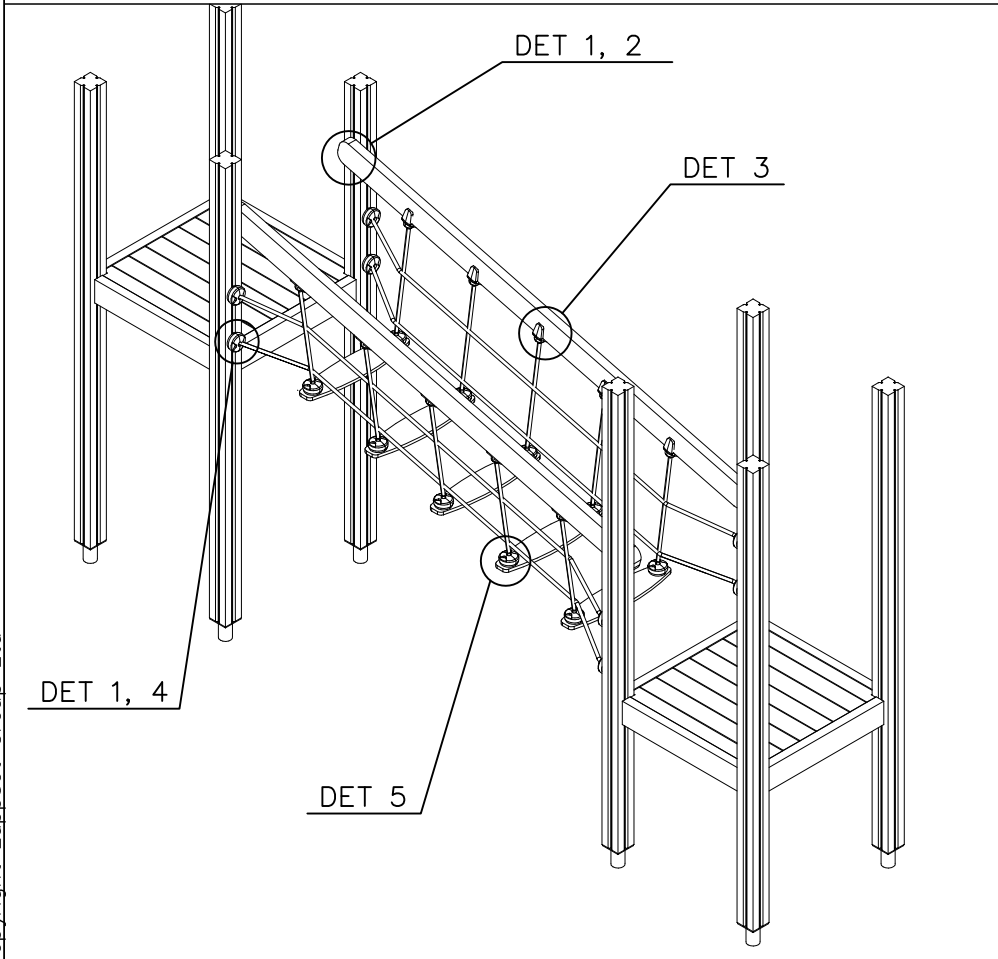



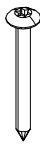
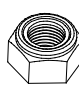
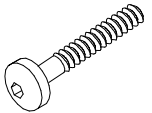
DET 3





① 706453	PCS	② 707255	PCS
	5		2
15x145x600		45x120x2480	
③ 707260	PCS	④ 905083	PCS
	2		4
2375x600		Ø32	
⑤ 980151	PCS	⑥ 909232	PCS
	4		4
Ø16/8.4		8x120	
⑦ 905112	PCS	⑧ 900240	PCS
	4		16
Ø22		Ø8x70	

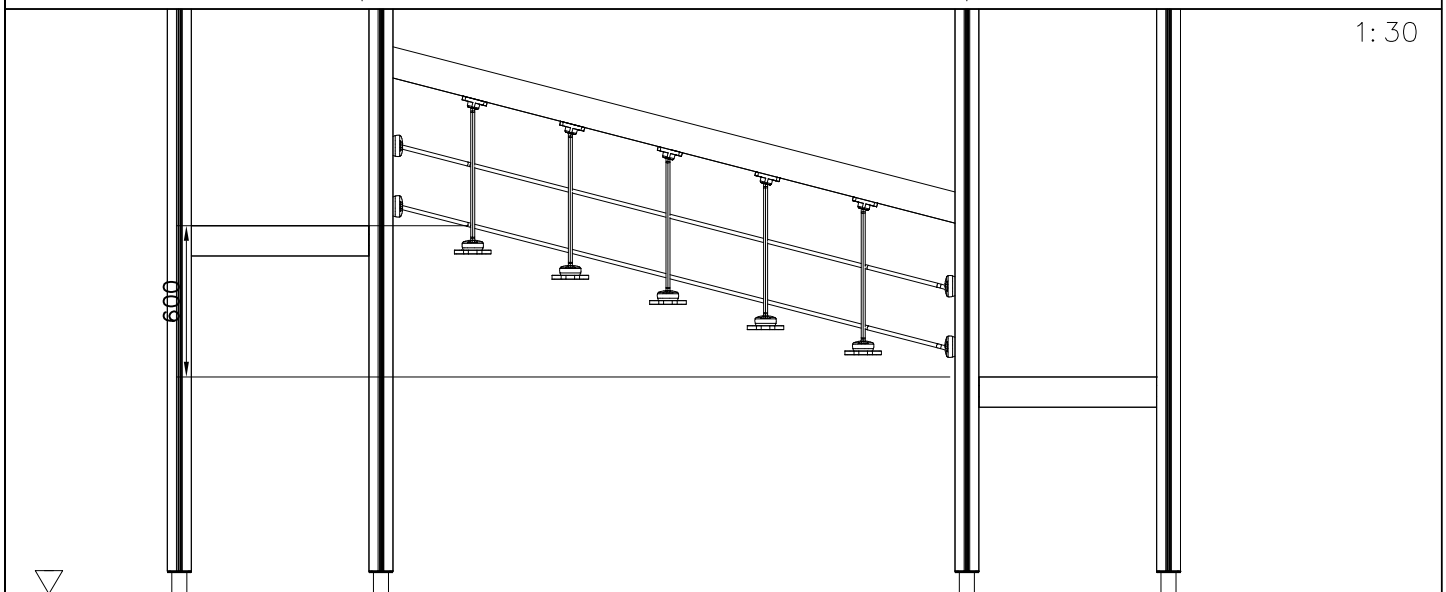


⑨ 980123	PCS	⑩ 980128	PCS
	20		10
Ø7x60		Ø7x40	
⑪ 980150	PCS	⑫ 901899	PCS
	20		20
M8		M8x45	
	PCS		PCS
	PCS		PCS



1:30

2400



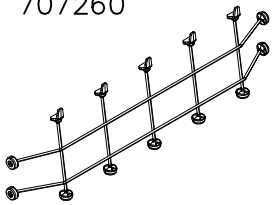
1:30

600

2320

### NET OPTIONS

707260

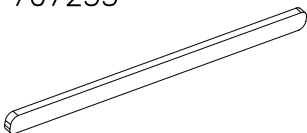


2375x600

- 707260-301 BLUE
- 707260-302 RED
- 707260-303 BEIGE
- 707260-304 GRAY
- 707260-305 BLACK
- 707260-306 YELLOW

### RAILING OPTIONS

707255



45x120x2480

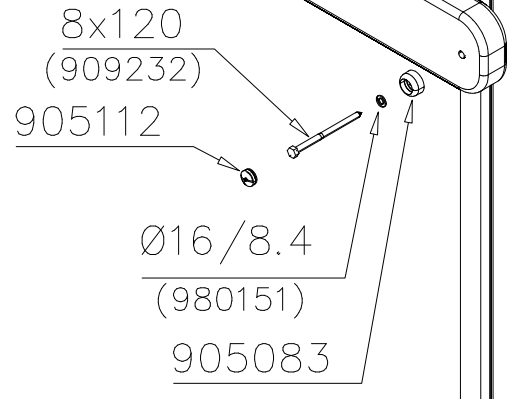
- |                      |                   |
|----------------------|-------------------|
| 707255-605 DARK GRAY | 707255-609 GREEN  |
| 707255-606 GRAY      | 707255-610 YELLOW |
| 707255-607 RED       | 707255-611 LIME   |
| 707255-608 BLUE      | 707255-612 FUXIA  |

DET 1

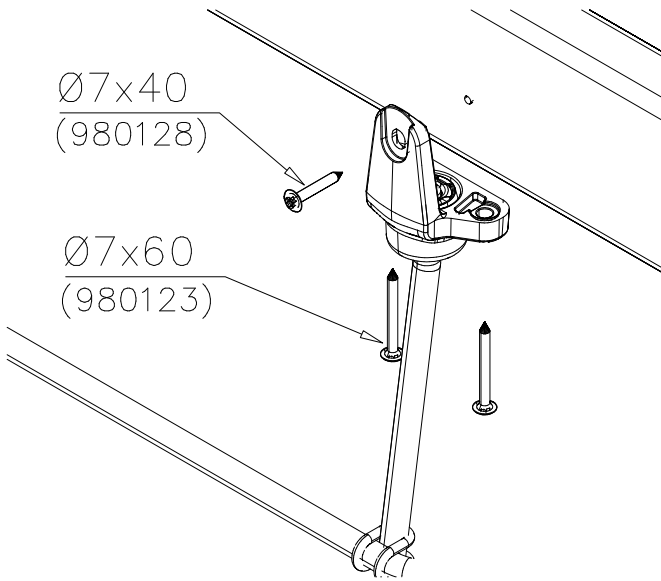


DET 2

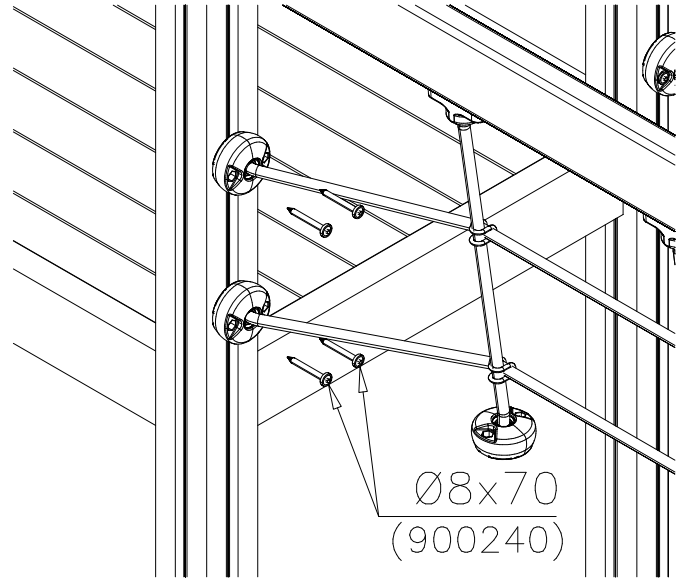
Note:  
in side  
Bridge



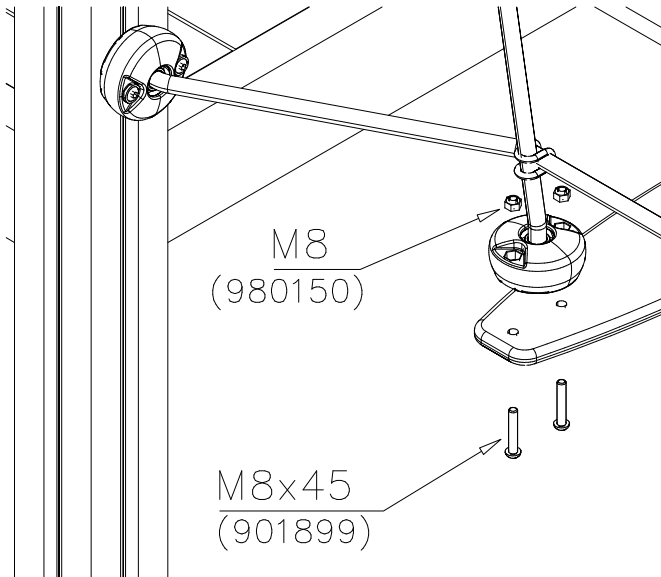
DET 3



DET 4



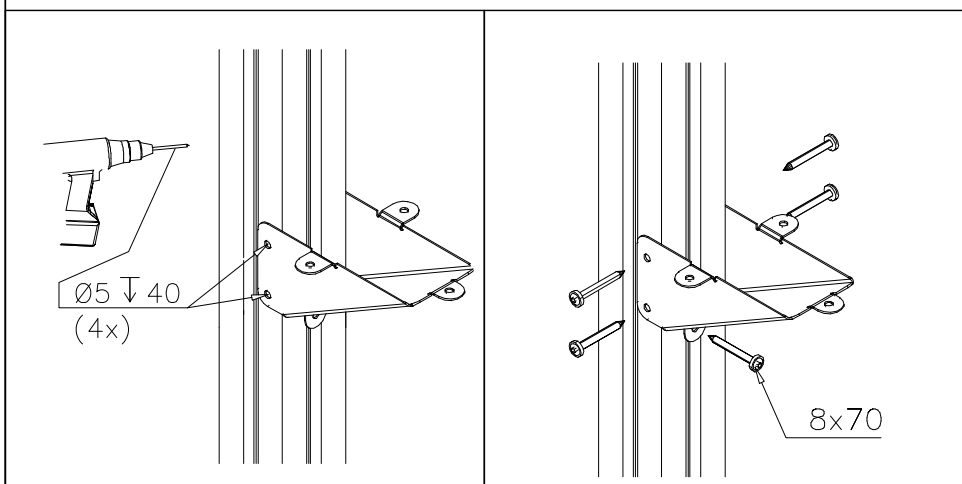
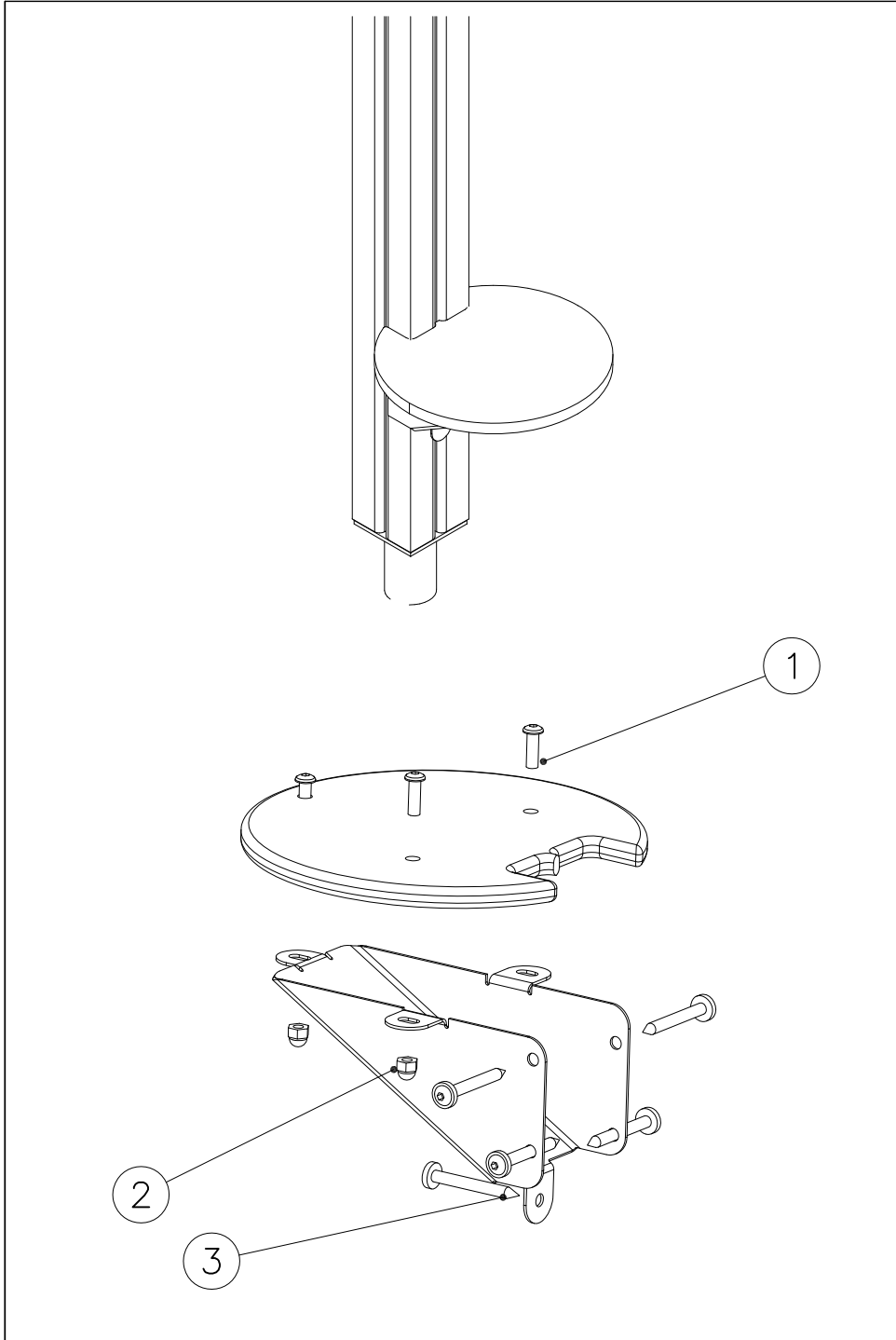
DET 5

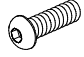


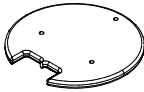
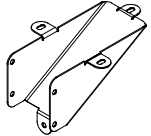


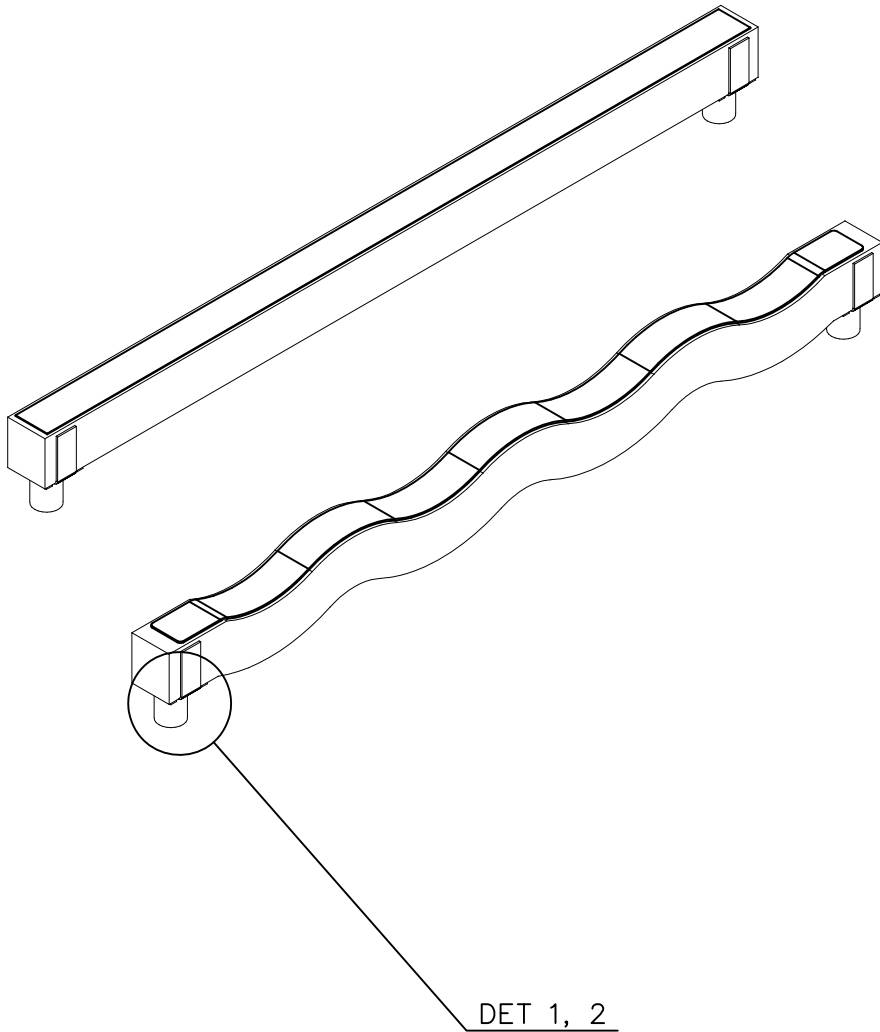
DET 6



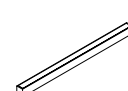
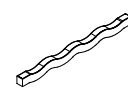
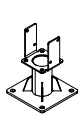





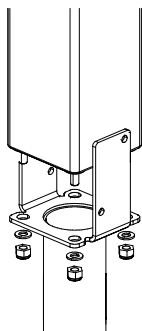


①	909850	PCS	②	909633	PCS
		3			3
	M8x25			M8	
③	900240	PCS			PCS
		5			
	Ø8x70				
		PCS			PCS
○	707696	PCS	○	902086	PCS
		1			1
	15x265x275			148x172x254	
		PCS			PCS
		PCS			PCS
		PCS			PCS
		PCS			PCS

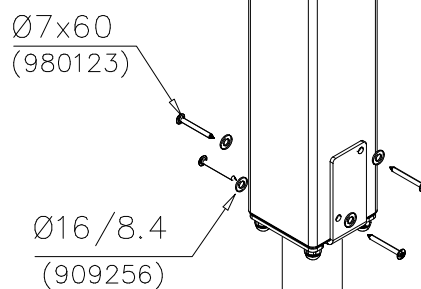


① 980123	PCS	② 909256	PCS
	8		8
Ø7x60		Ø16/8.4	
	PCS		PCS
	PCS		PCS
	PCS		PCS
○ 705566	PCS	○ 705590	PCS
			
140x120x2294		120x200x2294	
○ 905780	PCS	○ 905761	PCS
			
SURFACE		DEEP	
	PCS		PCS
	PCS		PCS

DET 1



DET 2

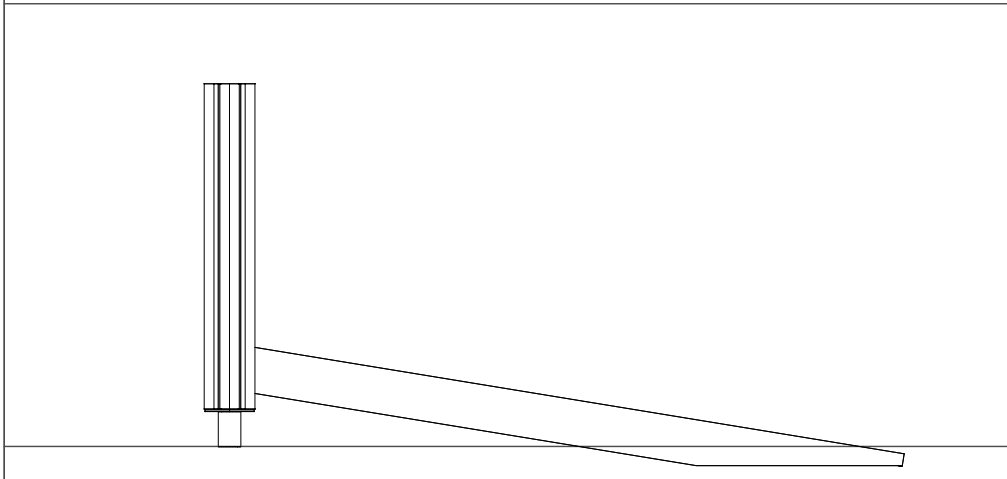
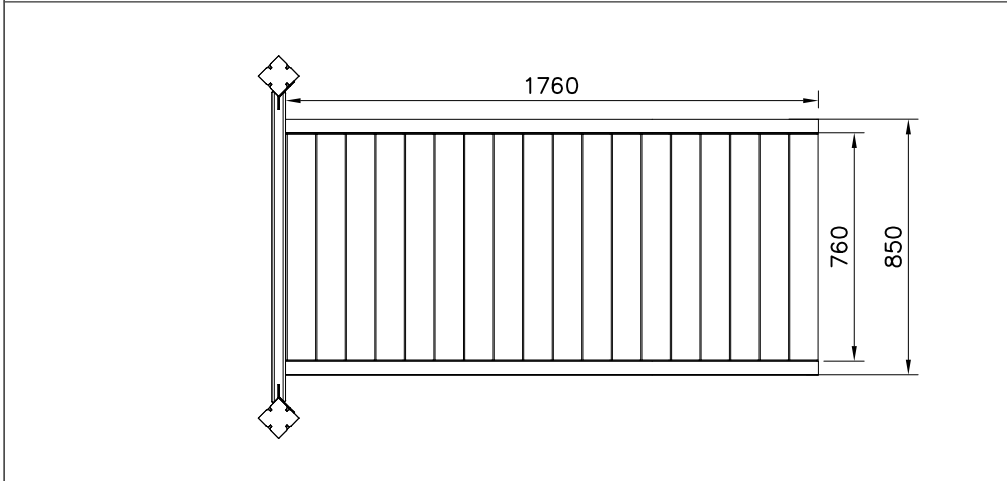
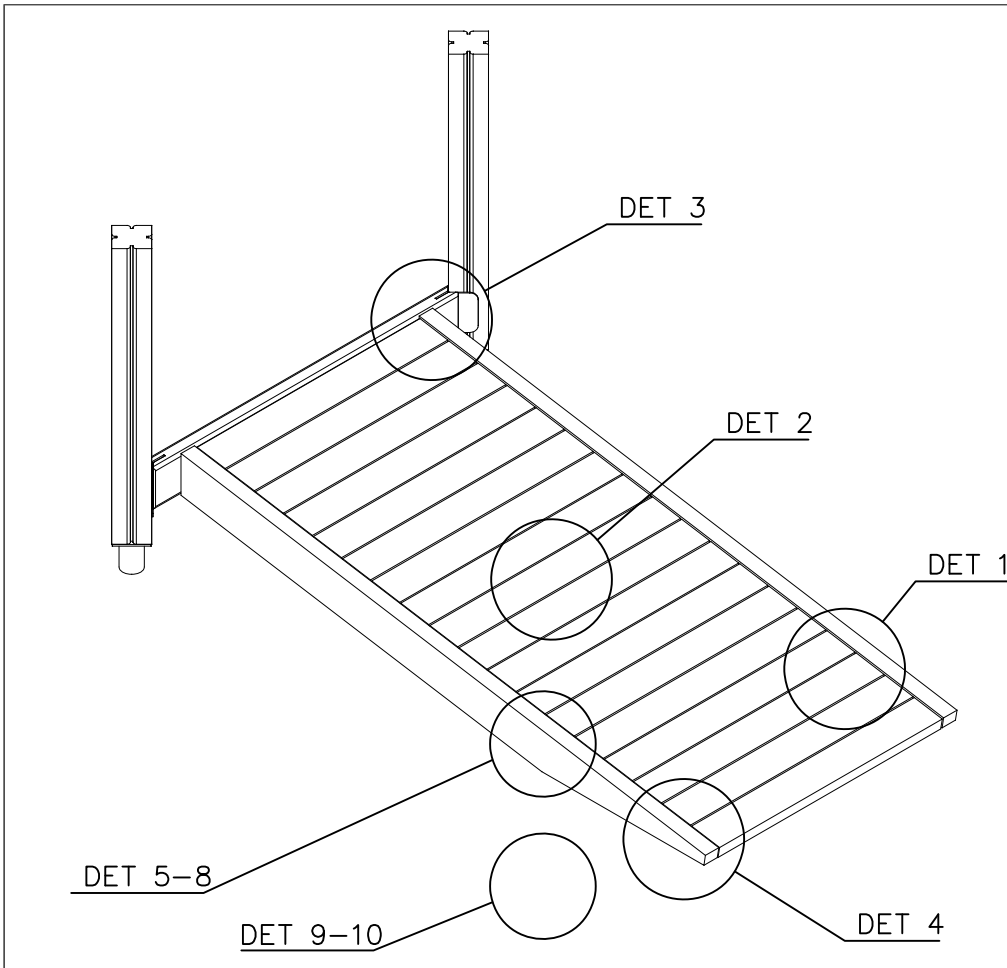


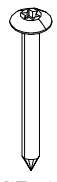
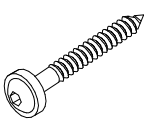

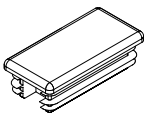

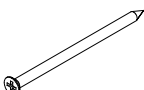

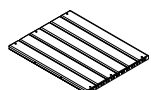
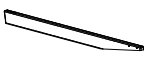
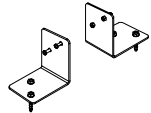

# LAPPSET® FASTENER KIT

# 707888

DATE: 16.3.2021

# 1(3)



① 980128  Ø7x40	PCS 4	② 900240  Ø8x70	PCS 12
③ 903093  Ø8x90	PCS 2	④ 906942 	PCS 2
⑤ 980101  Ø4,5x70	PCS 18	⑥ 980104  Ø5x90	PCS 4
	PCS		PCS
	PCS		PCS
○ 707862  32x45x1700	PCS 2		PCS
○ 707861  750x590	PCS 3	○ 707860  45x120x1785	PCS 2
○ 704341 	PCS 1	○ 704431 	PCS 1

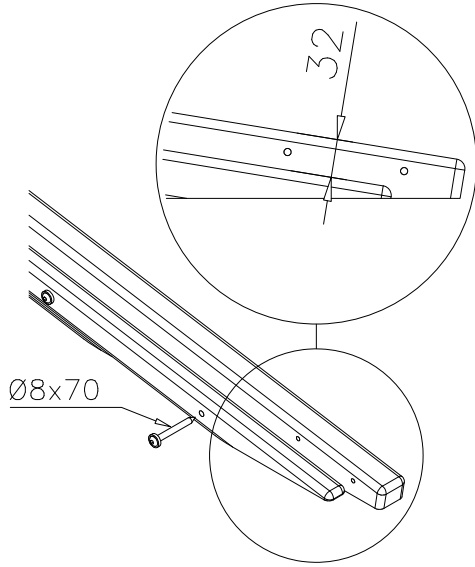
# LAPPSET® FASTENER KIT

# 707888

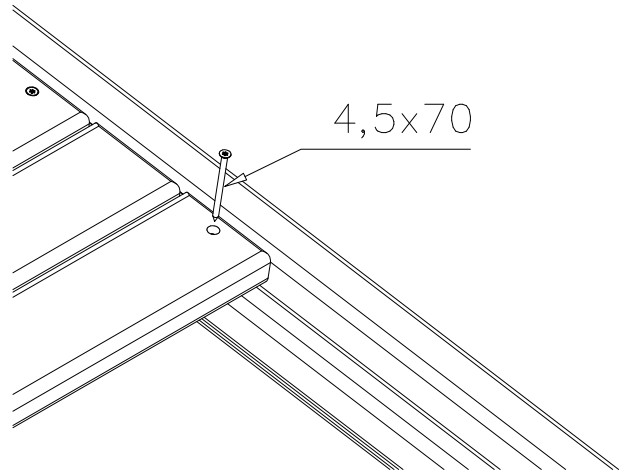
DATE: 16.3.2021

2(3)

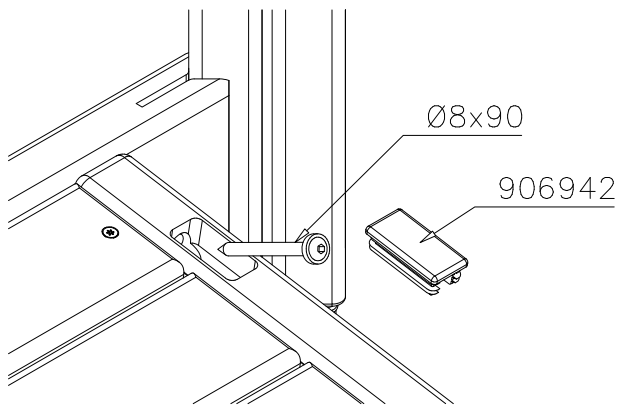
DET 1



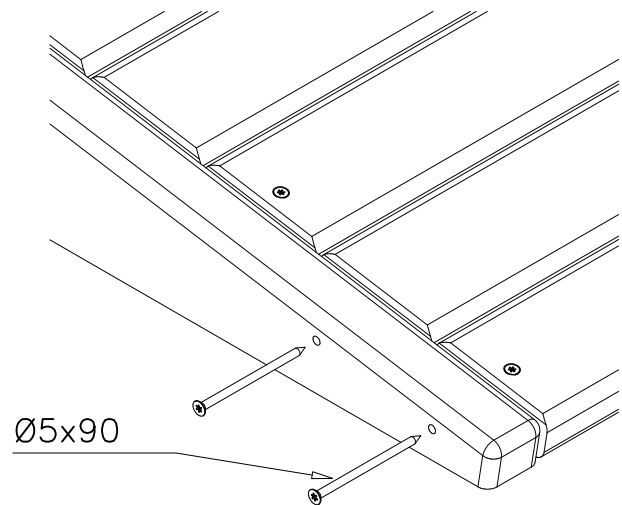
DET 2



DET 3

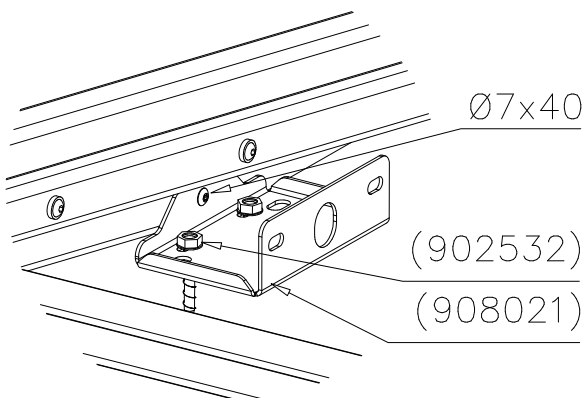


DET 4

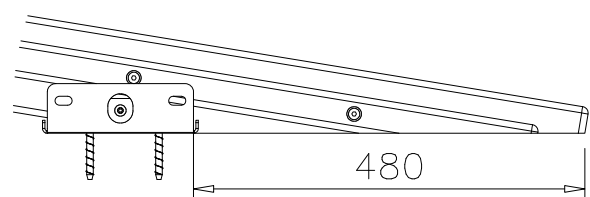


## SURFACE MOUNTING (704341)

DET 5



DET 6



# LAPPSET® FASTENER KIT

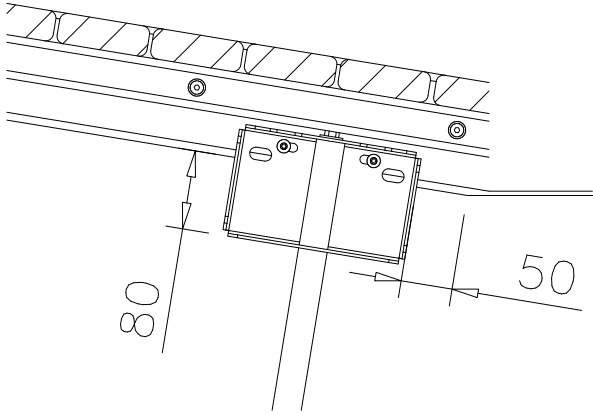
# 707888

DATE: 16.3.2021

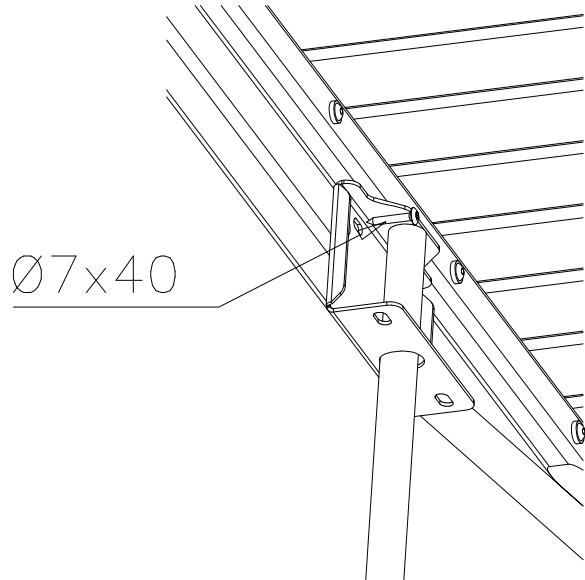
3(3)

DEEP MOUNTING (704431)

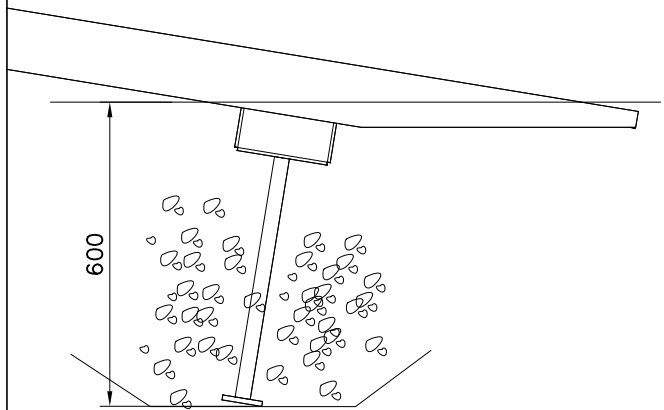
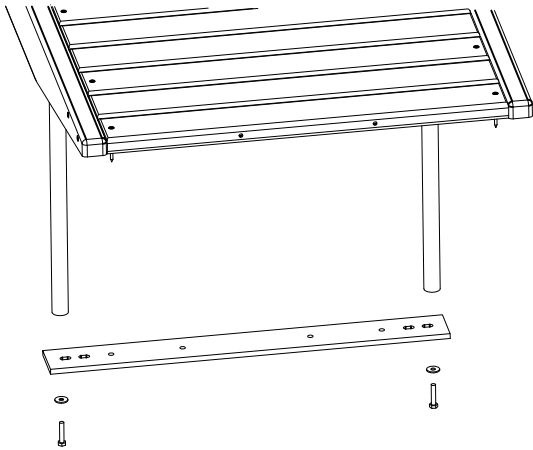
DET 7

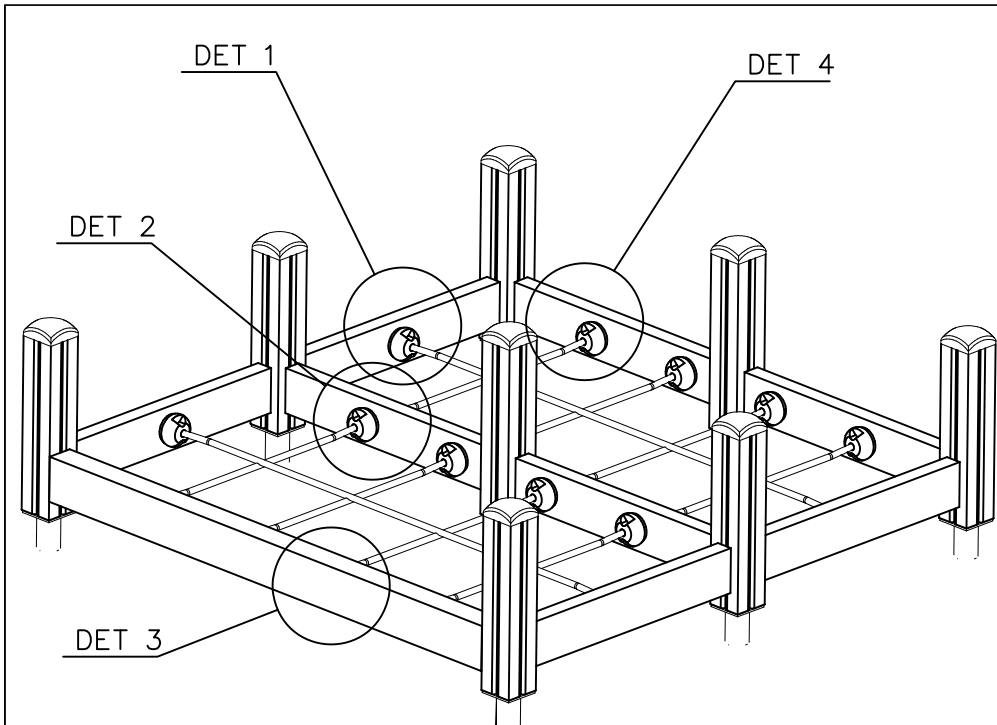



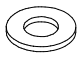
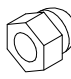
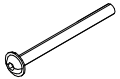
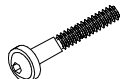

DET 8

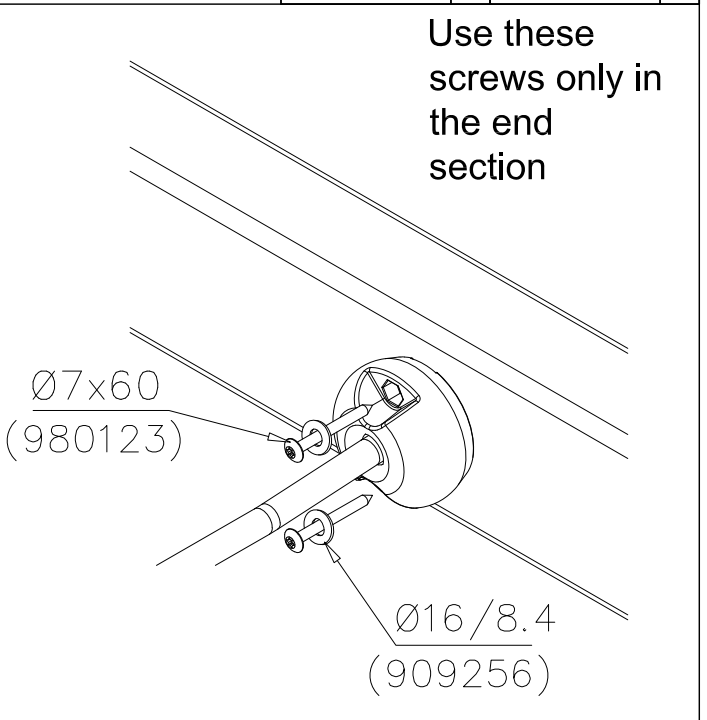
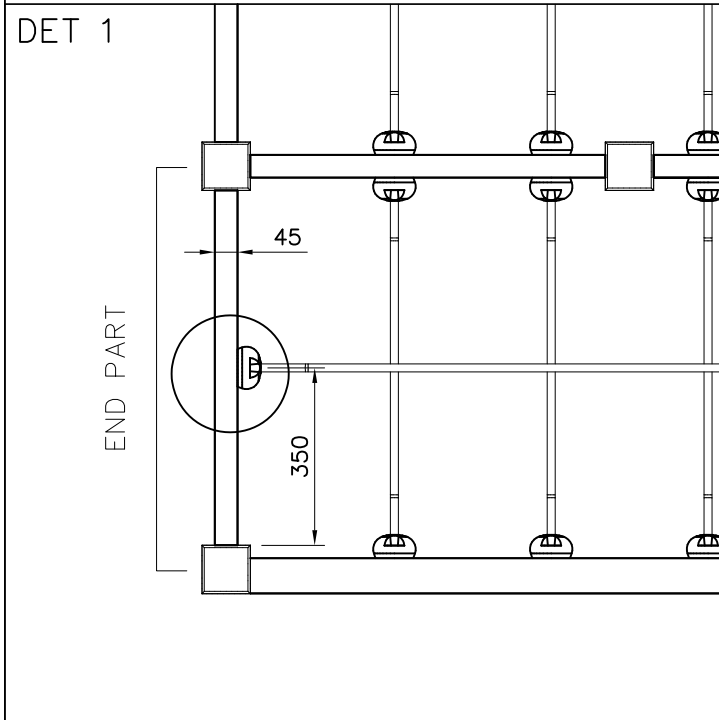


DET 9

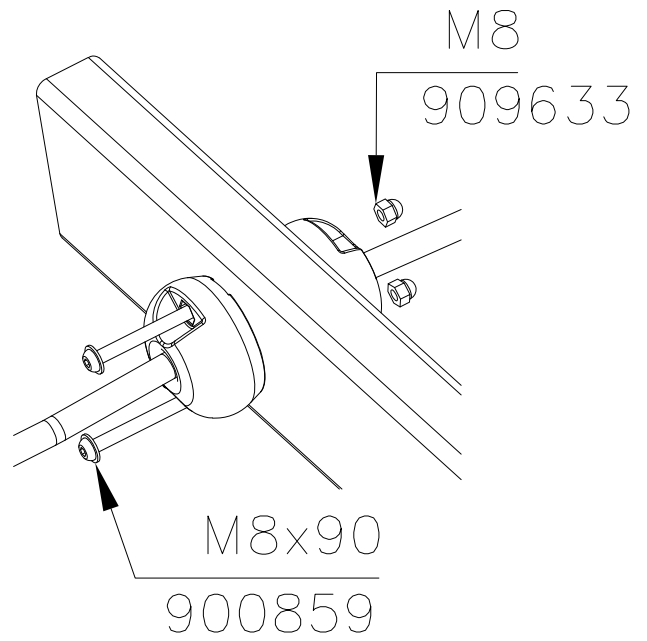
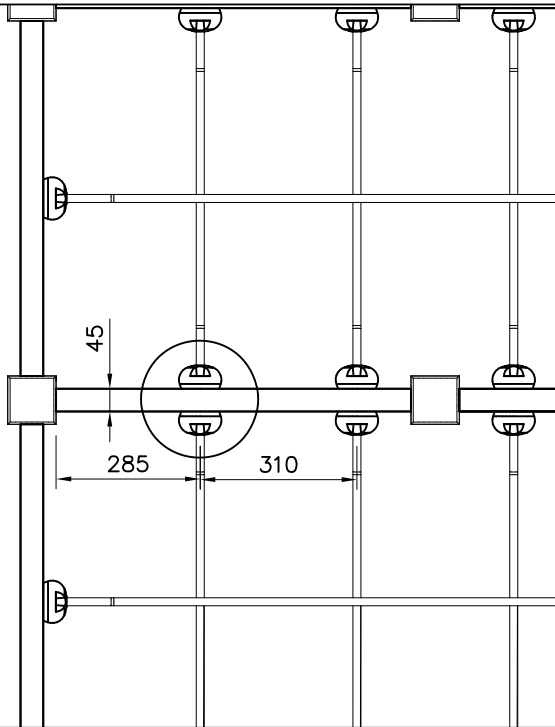




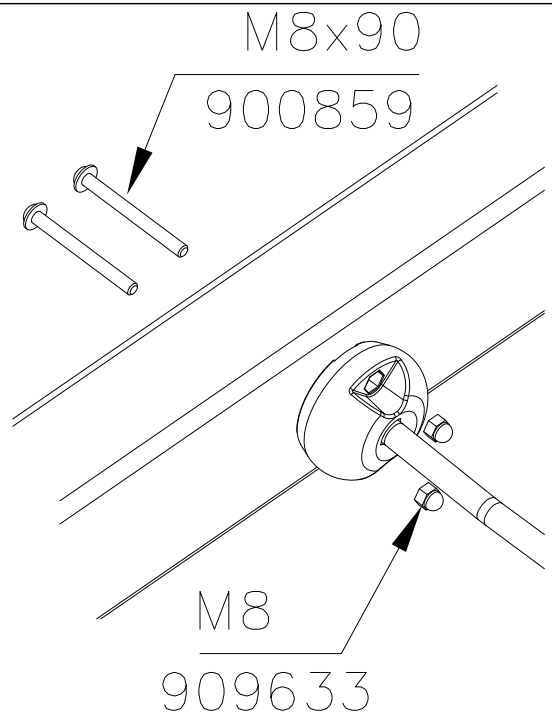
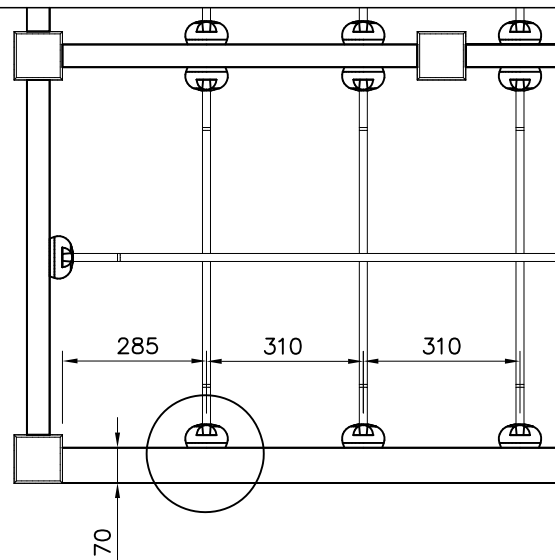
① 980123  Ø7x60	PCS 4	② 909256  Ø16/8.4	PCS 4
③ 909633  M8	PCS 16	④ 900859  M8x90	PCS 16
	PCS	⑤ 909867  M8x70	PCS 16
	PCS		PCS
	PCS	○ 707893  755x1555	PCS



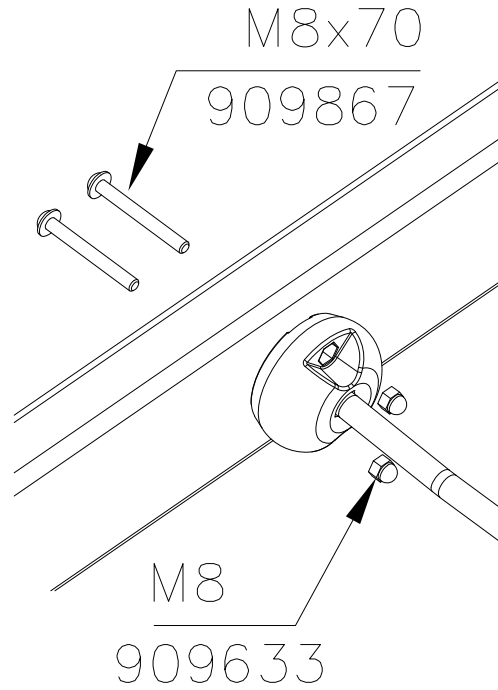
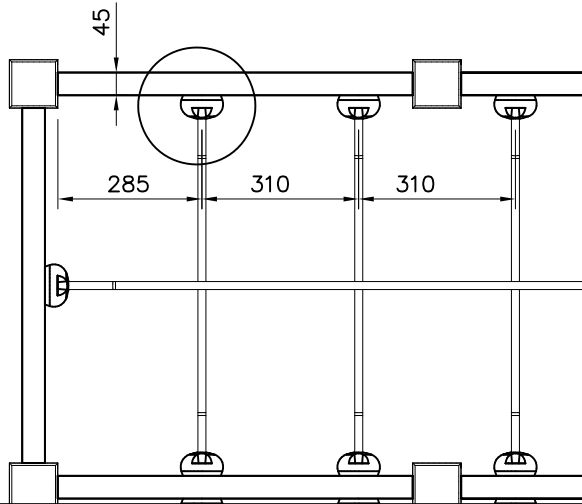
DET 2



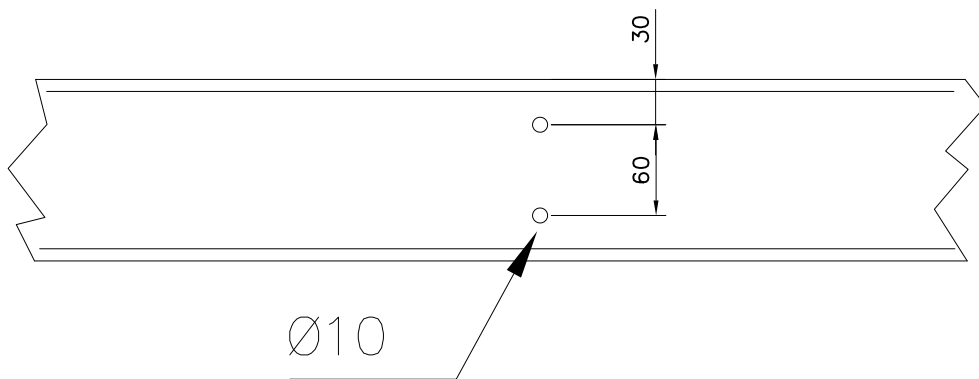
DET 3



DET 4



Drill the necessary holes in the booms  
(Dets 2-4)



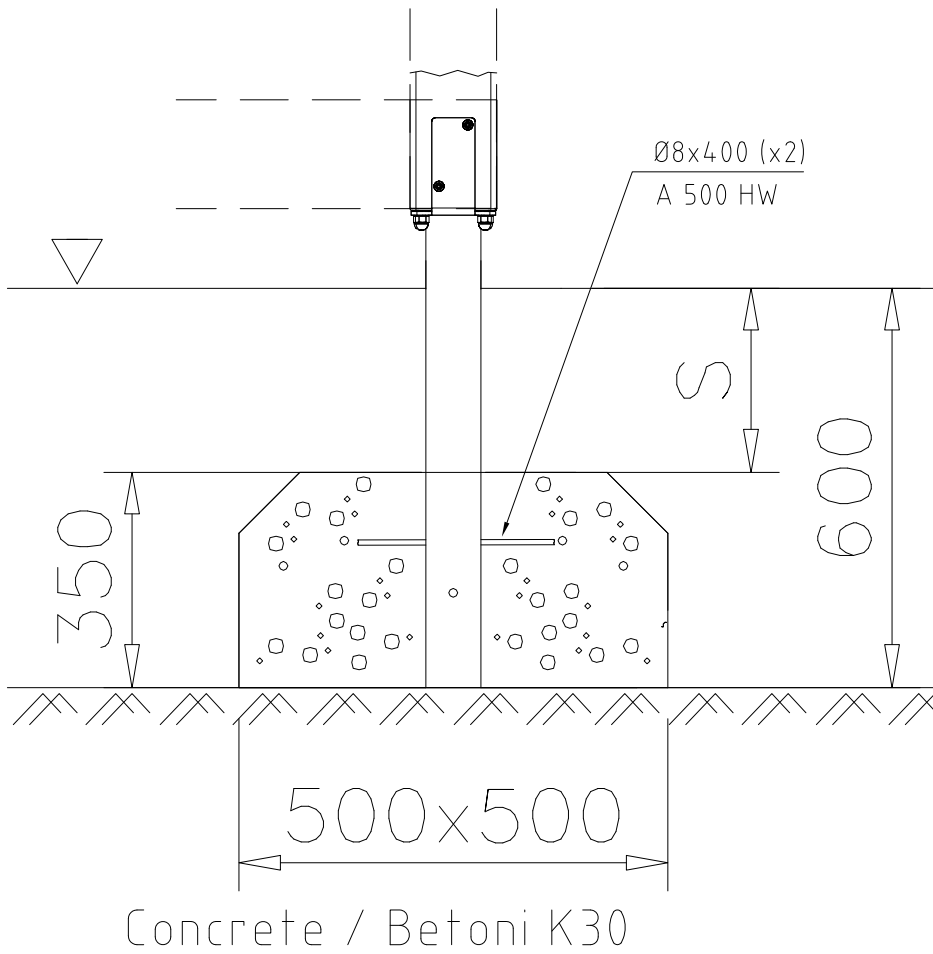


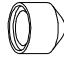
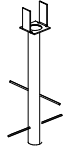
# LAPPSET® CONC. FOUNDATION

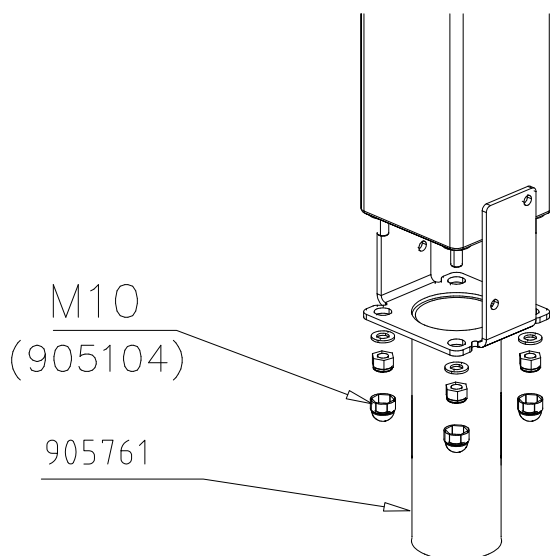
# FOOT 120x120 POST & BEAM

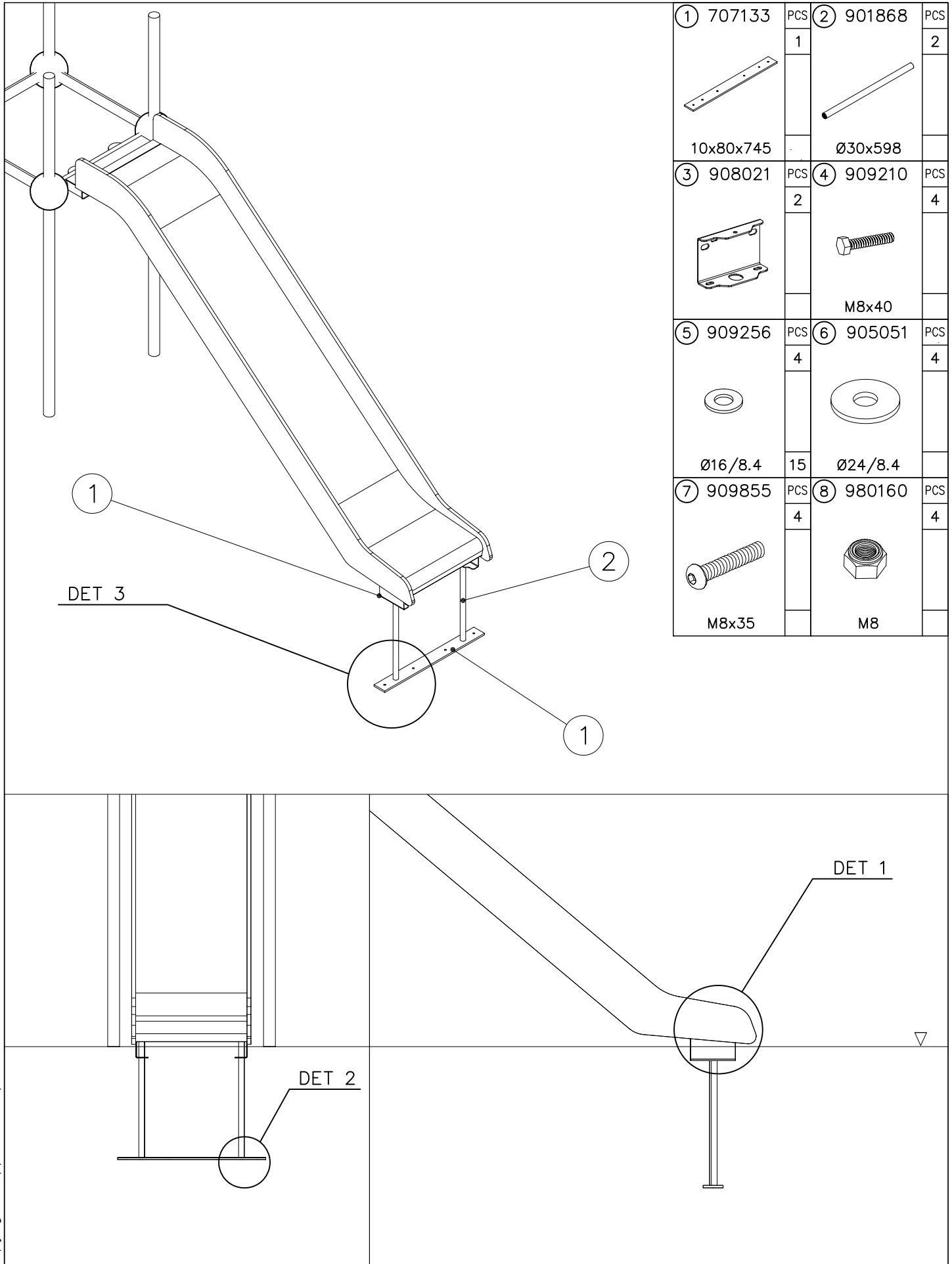
DATE: 21.4.2016

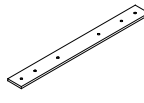
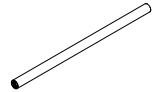
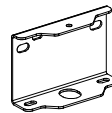
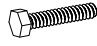


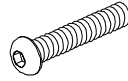
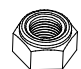
4A



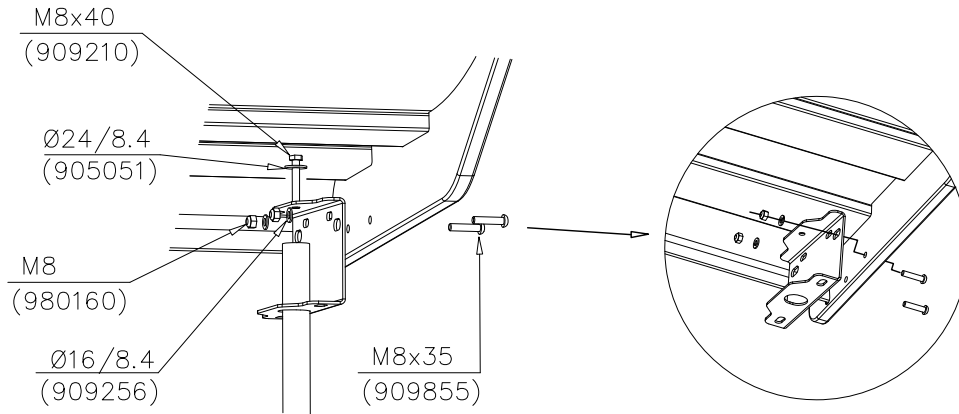
① 905104	PCS		PCS
	4		
			
M10			
	PCS		PCS
	PCS		PCS
○ 905761	PCS		PCS
			
CONCRETE			



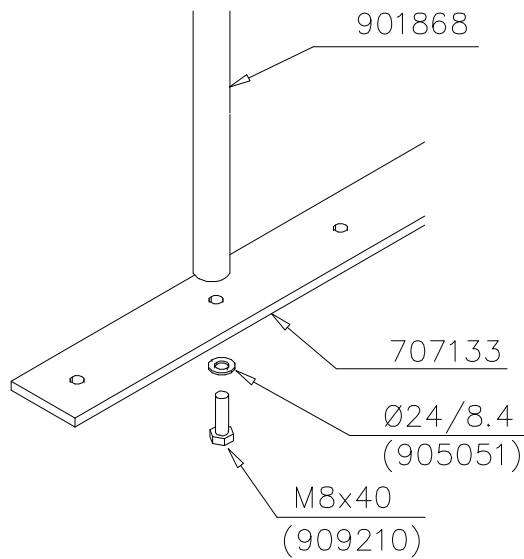


① 707133  10x80x745	PCS 1	② 901868  Ø30x598	PCS 2
③ 908021 	PCS 2	④ 909210  M8x40	PCS 4
⑤ 909256  Ø16/8.4	PCS 4	⑥ 905051  Ø24/8.4	PCS 4
⑦ 909855  M8x35	PCS 4	⑧ 980160  M8	PCS 4

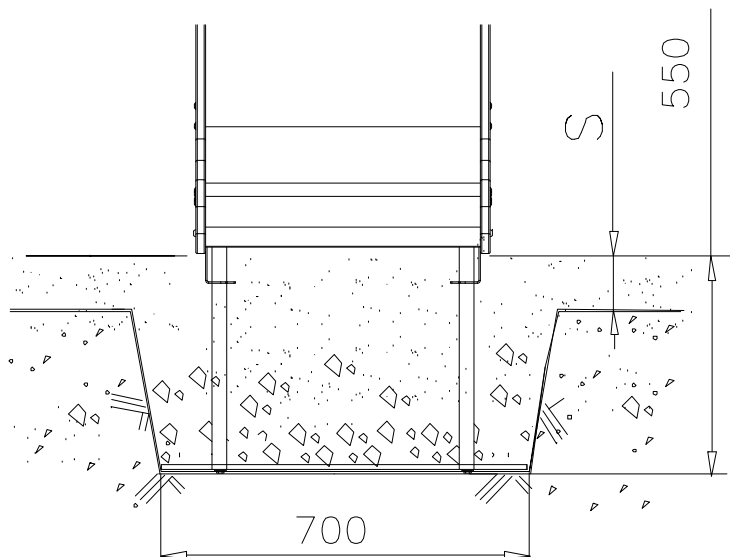
DET 1



DET 2



DET 3

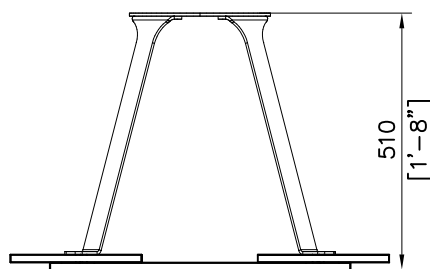
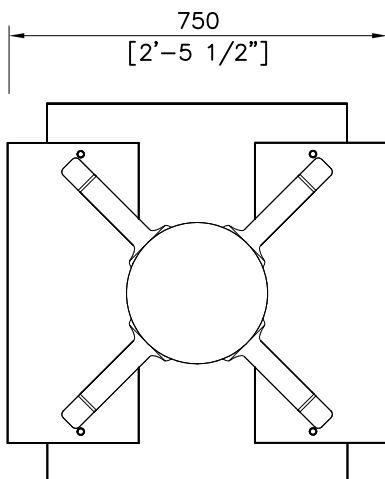
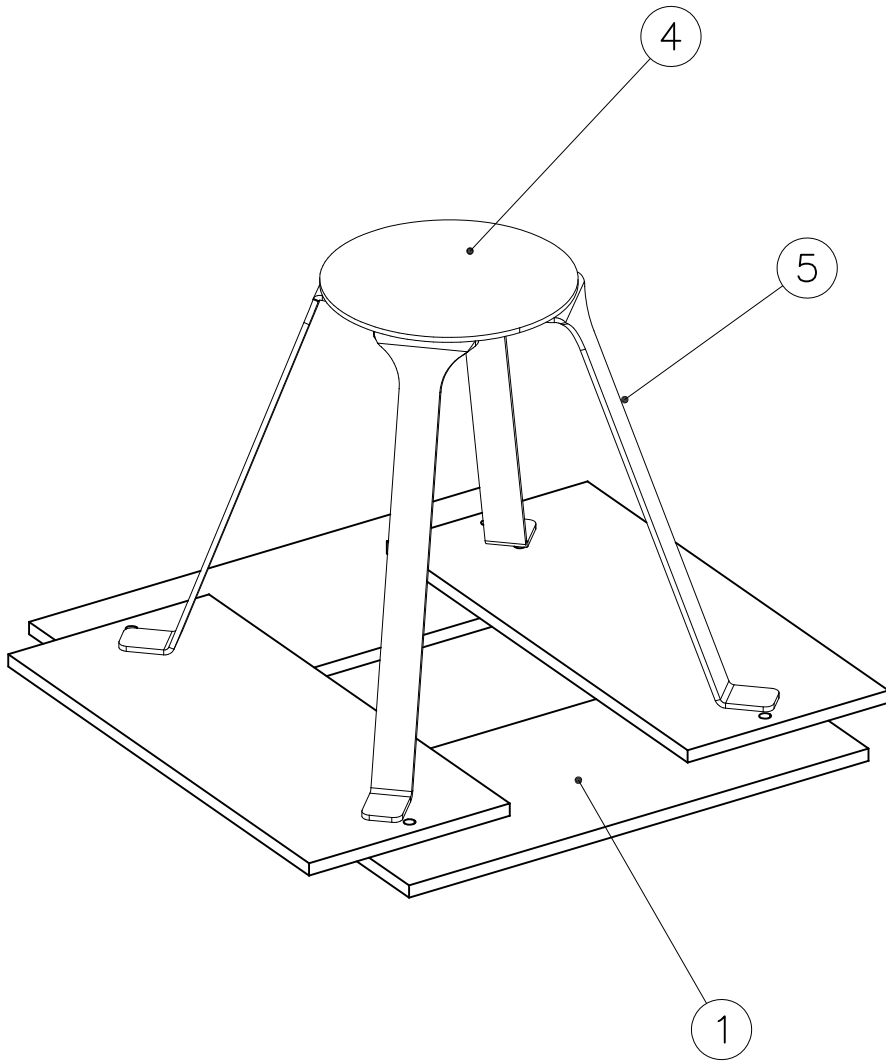


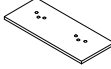

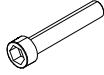
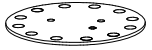



# LAPPSET® GROUNDING

# 705101

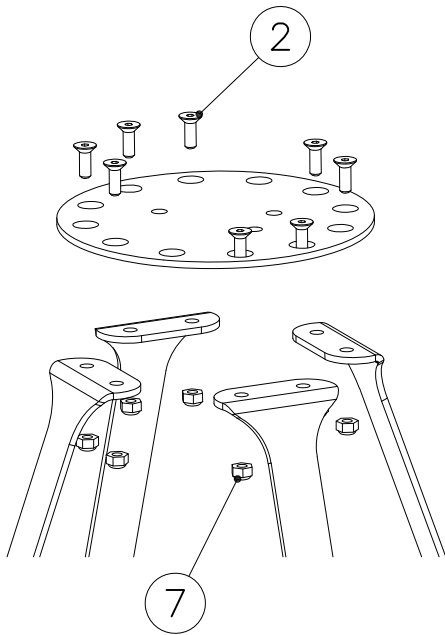
DATE: 5.6.2023

# 1(2)

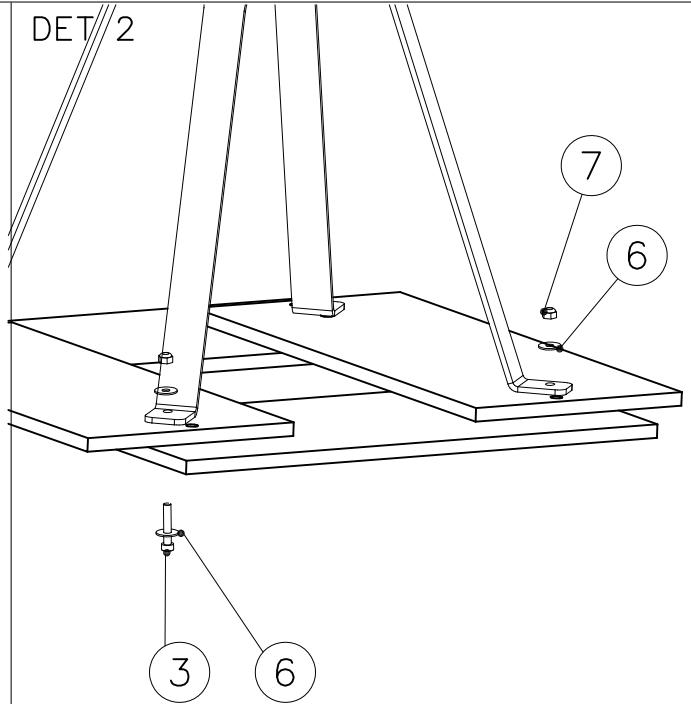


①	707138	PCS	②	900958	PCS
		4			8
					
	260x595			M10x30	
③	902232	PCS	④	905993	PCS
		4			1
					
	M10x55				
⑤	906000	PCS	⑥	909255	PCS
		4			8
					
				Ø30/10.5	
⑦	980161	PCS			PCS
		12			
					
	M10				
		PCS			PCS
		PCS			PCS
		PCS			PCS

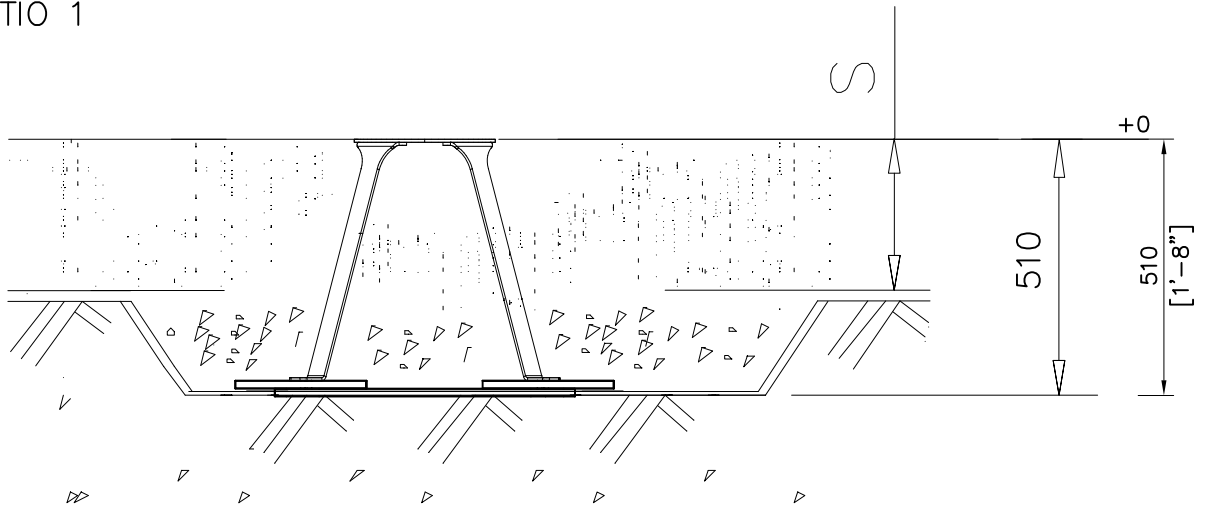
DET 1



DET 2



DET 3 OPTIO 1



DET 3 OPTIO 2 (WITH CONCRETE)

