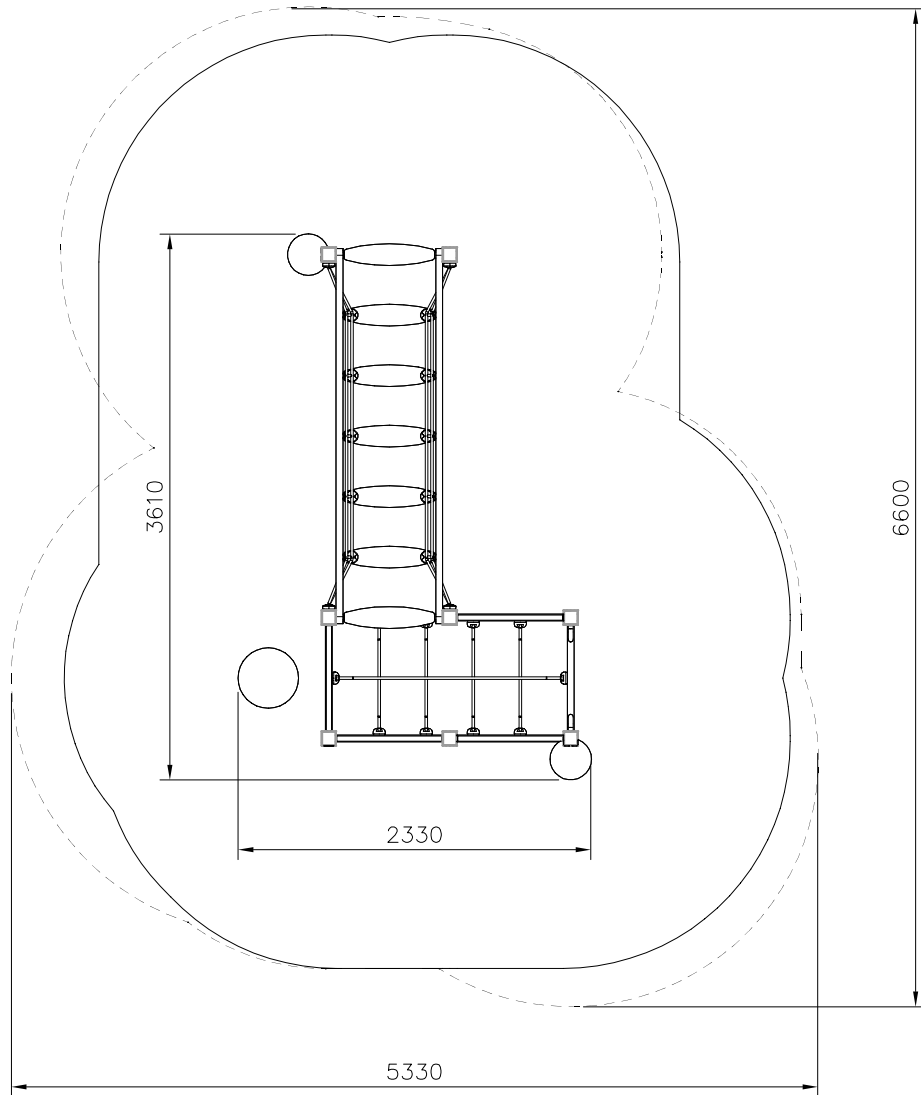
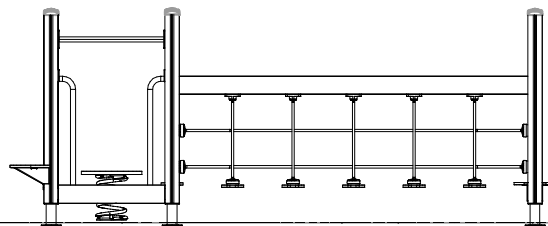
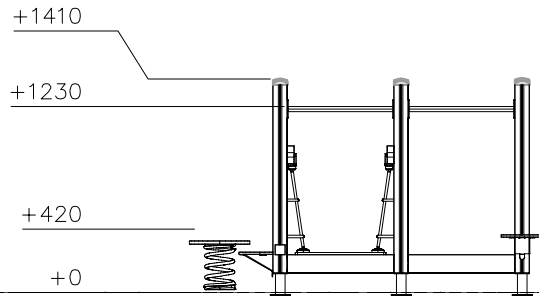


—— EN/AS Impact Area 24.3 m²


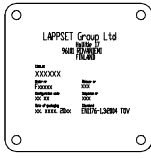

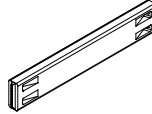
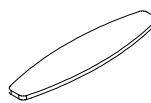
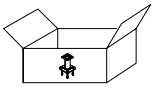
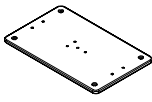
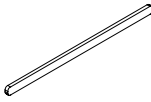
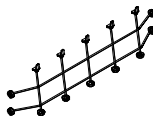
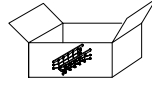
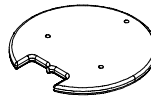
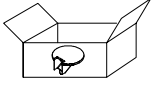
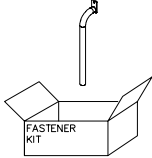
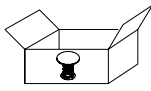

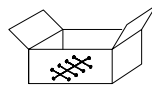
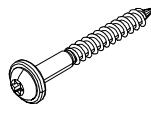
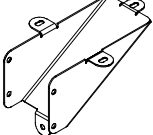
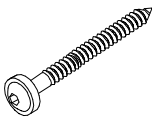
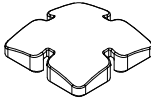
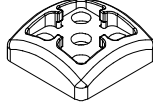
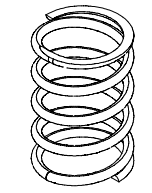
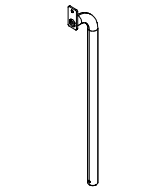
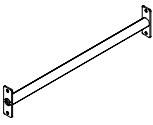
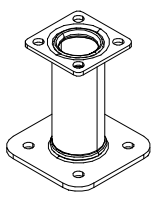
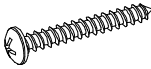
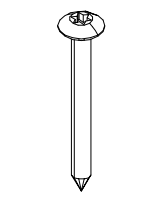
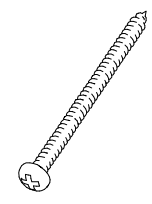
----- Falling Space 27.1 m²

Max Falling Height 0000 mm





DATE: 20.1.2025

701401-602	PCS	702286	PCS	705432-704	PCS	706439-602	PCS	706453	PCS	706551	PCS
	8		1		1		7		7		8
L 1250		65x65		19xØ400		L 704		15x145x600			
706923	PCS	707255-602	PCS	707260-303	PCS	707268	PCS	707696-704	PCS	707729	PCS
	1		2		2		1		2		2
		45x120x2480		2375x600				15x265x275			
707732	PCS	707886	PCS	707893-303	PCS	707894	PCS	900240	PCS	902086	PCS
	2		1		1		1		16		2
				755x1555				Ø8x70		148x172x254	
903093	PCS	905138	PCS	905196	PCS	906316	PCS	907688-217	PCS	907694-217	PCS
	28		8		8		1		2		4
Ø8x90		GRAY		GRAY		20x200x300				L 704	
909531	PCS	980114	PCS	980123	PCS	980131	PCS		PCS		PCS
	8		4		8		32				
130x130x150		Ø4x20		Ø7x60		Ø6x60					
	PCS		PCS		PCS		PCS		PCS		PCS
	PCS		PCS		PCS		PCS		PCS		PCS