

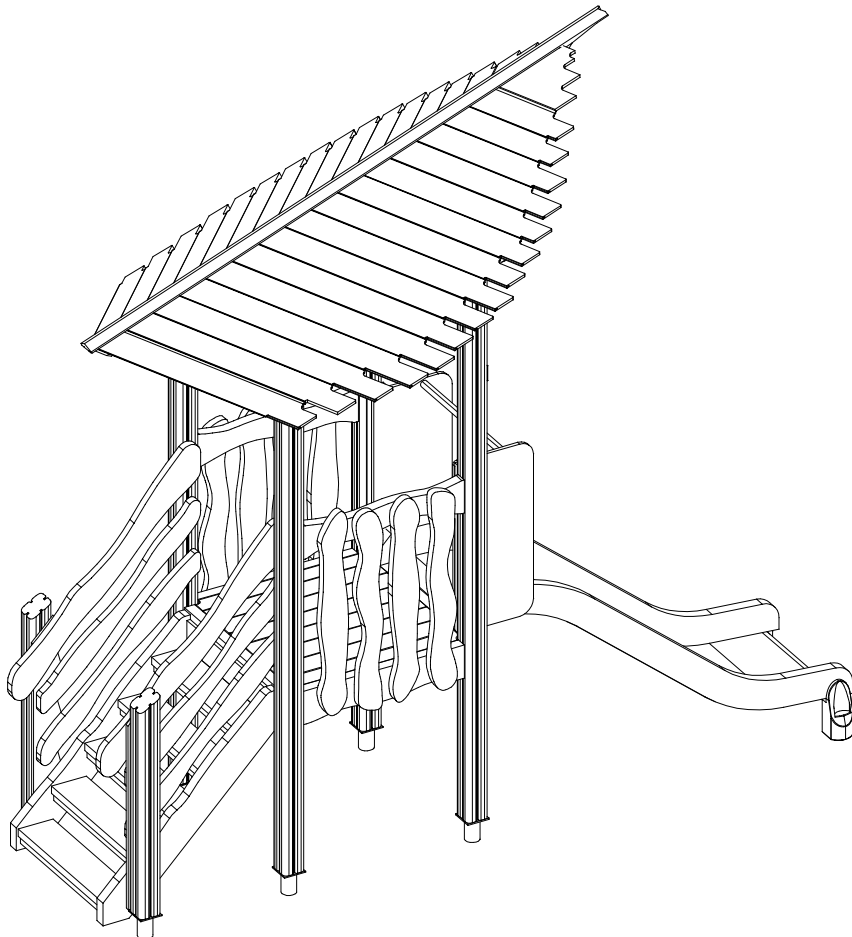
# LAPPSET®

## FLORA


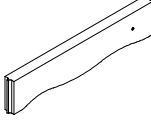
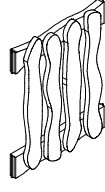

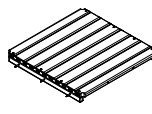



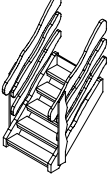
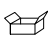

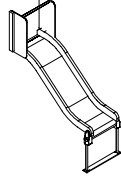

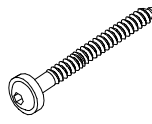
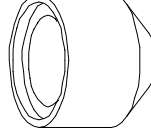
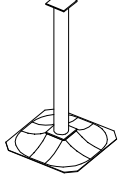

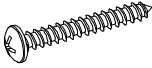


ASENNUSOHJE  
MONTERINGSANSVISNING  
INSTALLATION INSTRUCTION  
AUFBAUANLEITUNG  
NOTICE D'INSTALLATION

DATE: 14.1.2025

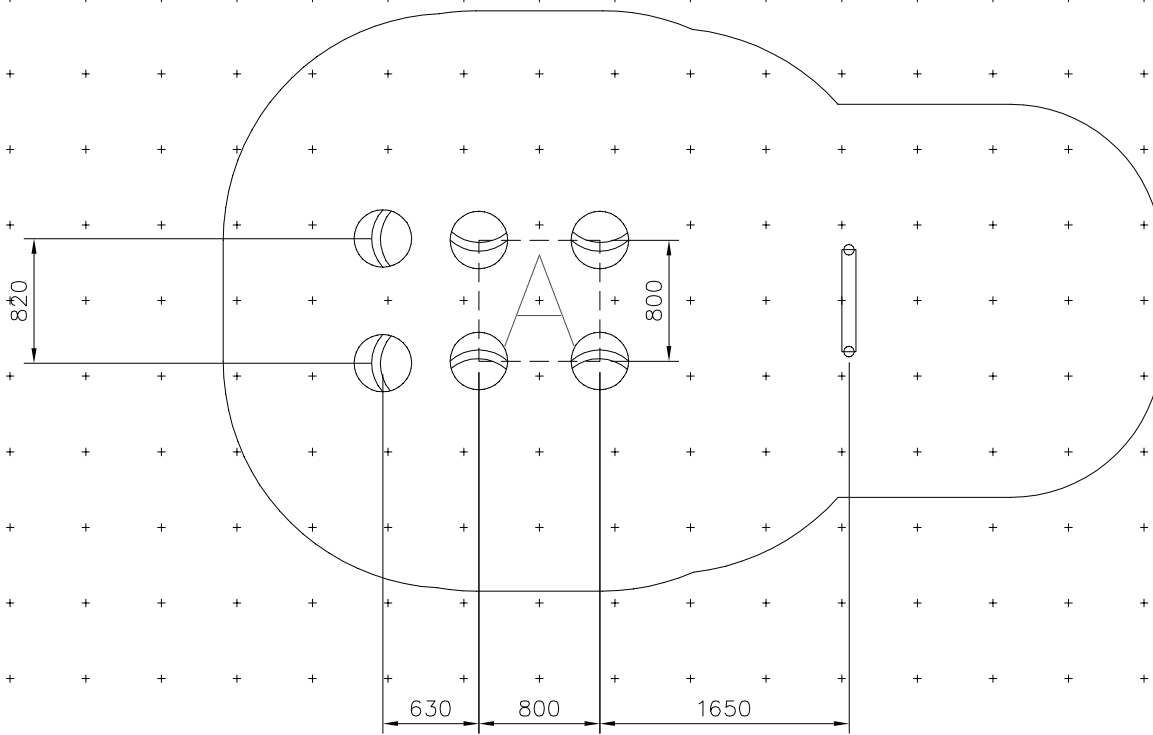
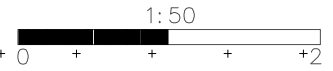
### QFL0270



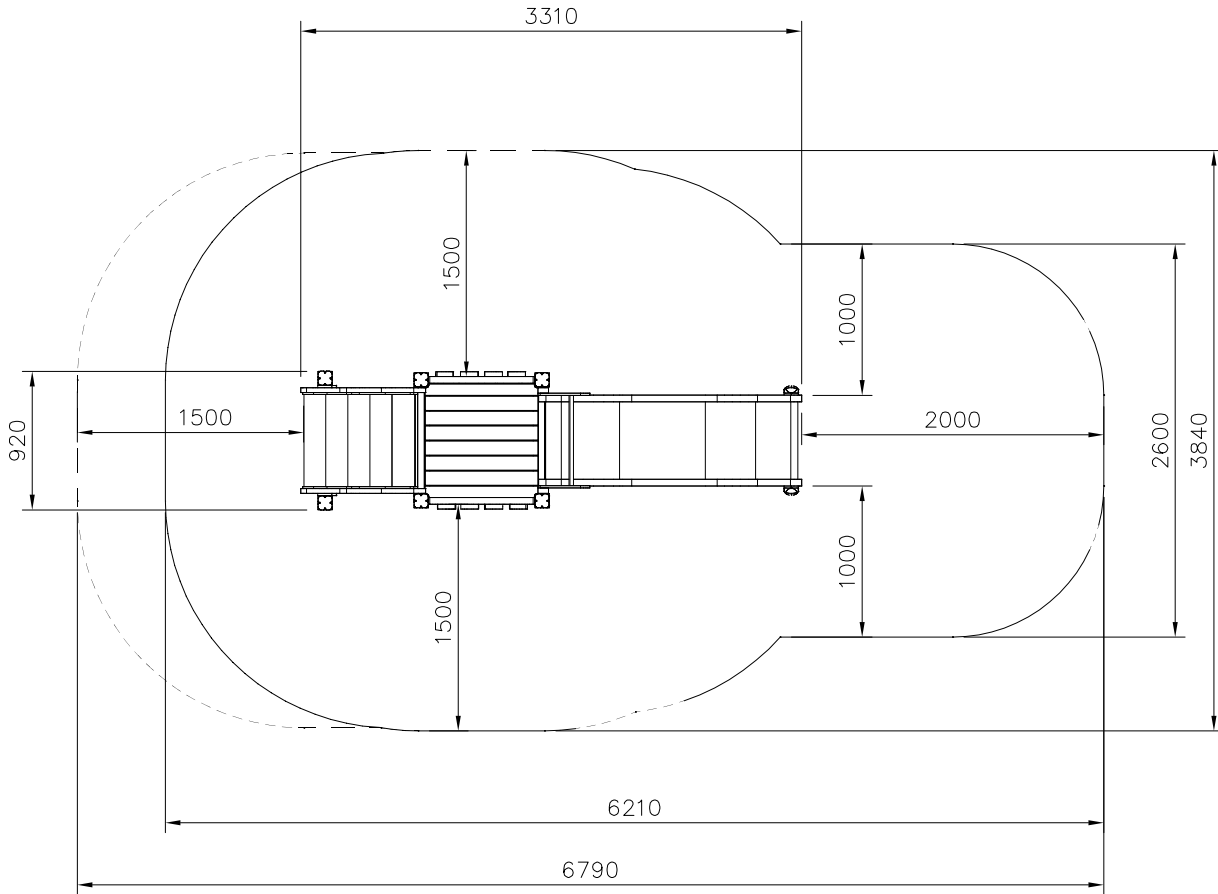
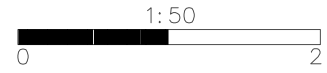
DATE: 14.1.2025

702286  65x65	PCS 1	705211-001  45x145x715	PCS 2	705230-001  	PCS 2	705258-001  	PCS 1	706178-001  93x93x2246	PCS 2	706180-001  93x93x2538	PCS 2
706185-001  	PCS 1	706192-001  93x93x946	PCS 2	706234-001  	PCS 1	903093  Ø8x90	PCS 8	905104  M10	PCS 24	909521  	PCS 6
980114  Ø4x20	PCS 4	A10251  	PCS 1		PCS		PCS		PCS		PCS
	PCS		PCS		PCS		PCS		PCS		PCS
	PCS		PCS		PCS		PCS		PCS		PCS
	PCS		PCS		PCS		PCS		PCS		PCS
	PCS		PCS		PCS		PCS		PCS		PCS

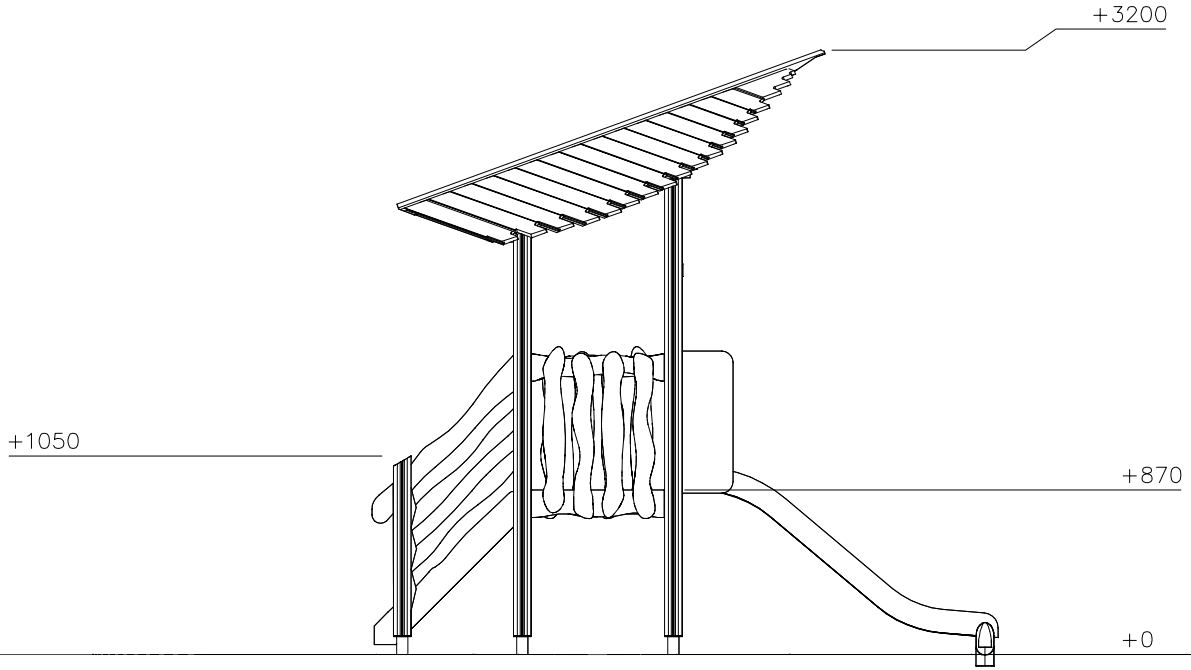
EN Impact Area 19.1 m<sup>2</sup>  
Grid size = 500 mm



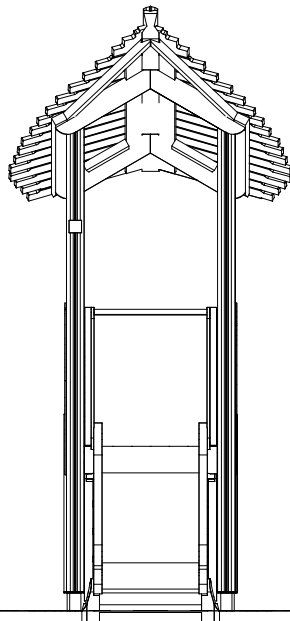

—— EN Impact Area 19.1 m<sup>2</sup>  
- - - - Falling Space 21.3 m<sup>2</sup>  
Max Falling Height 1000 mm

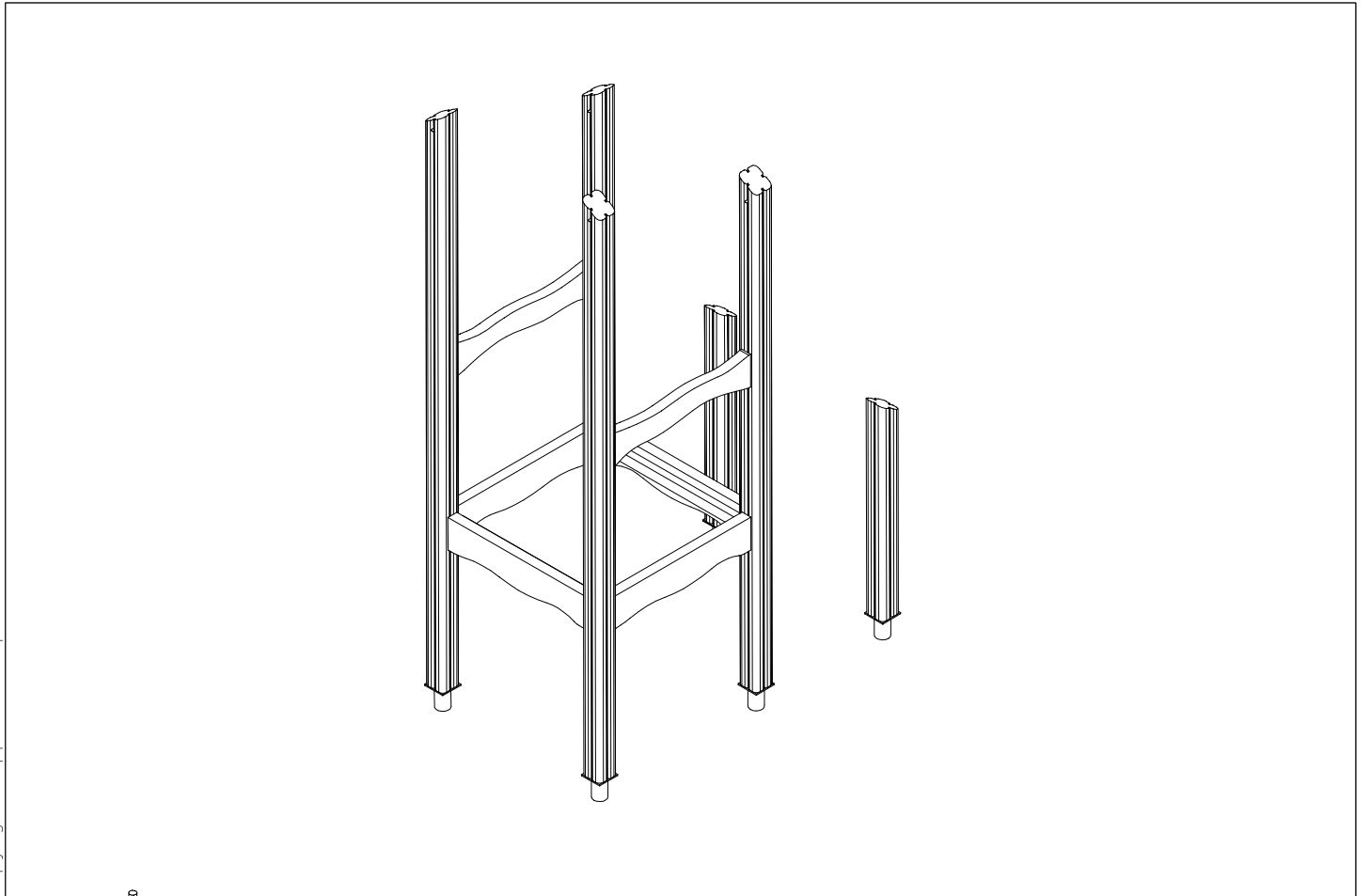
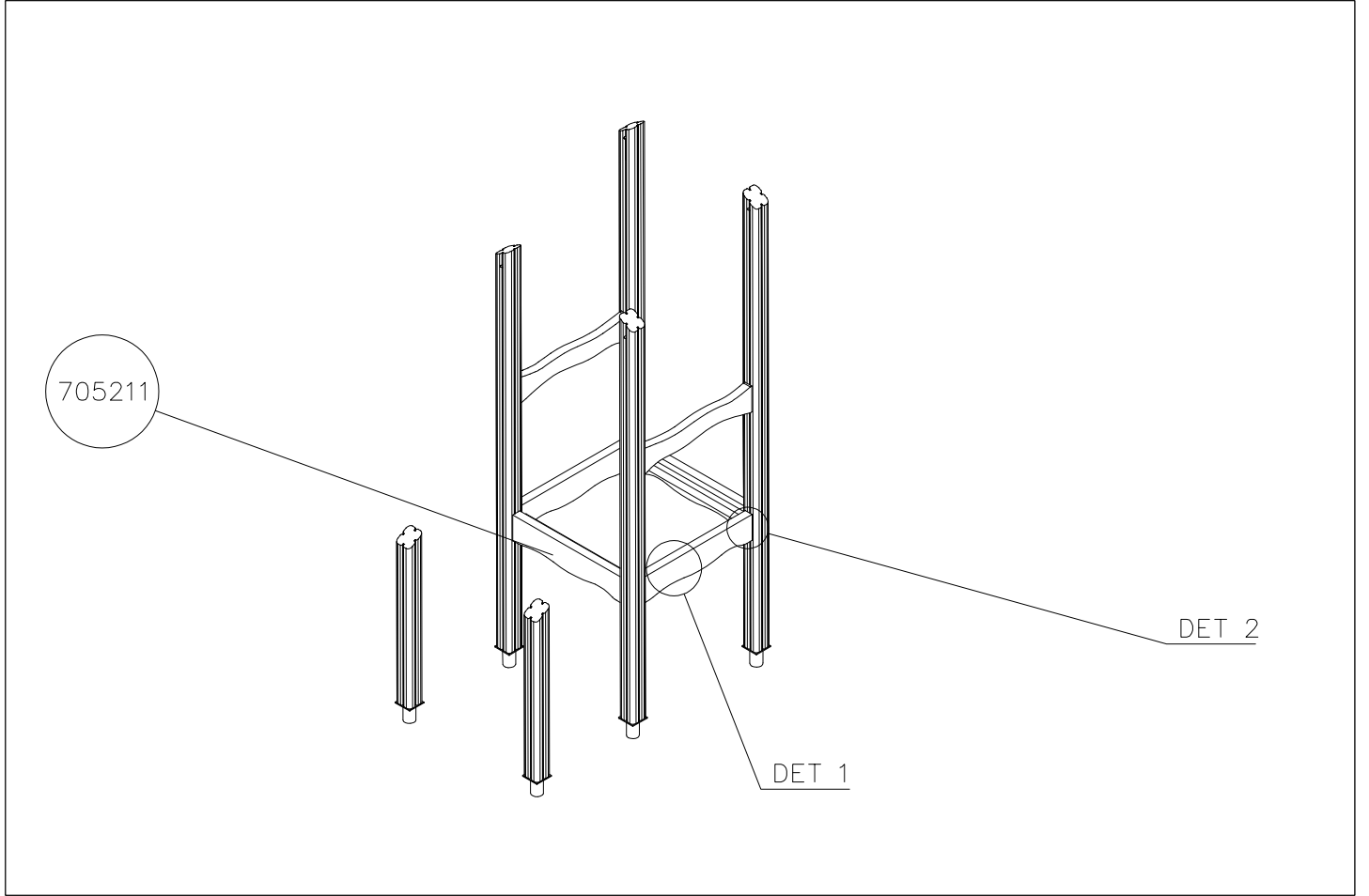


1: 40

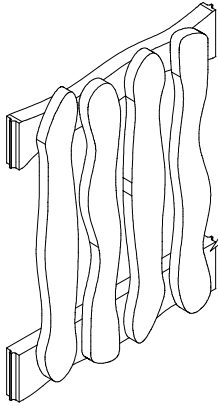


1: 40



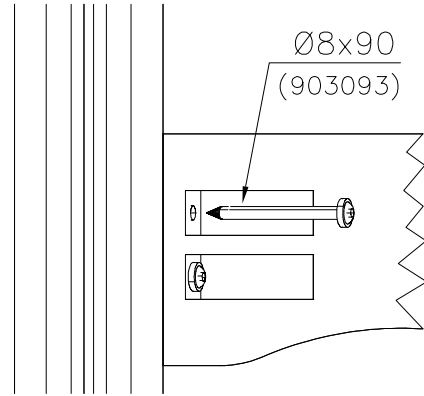


DET 1



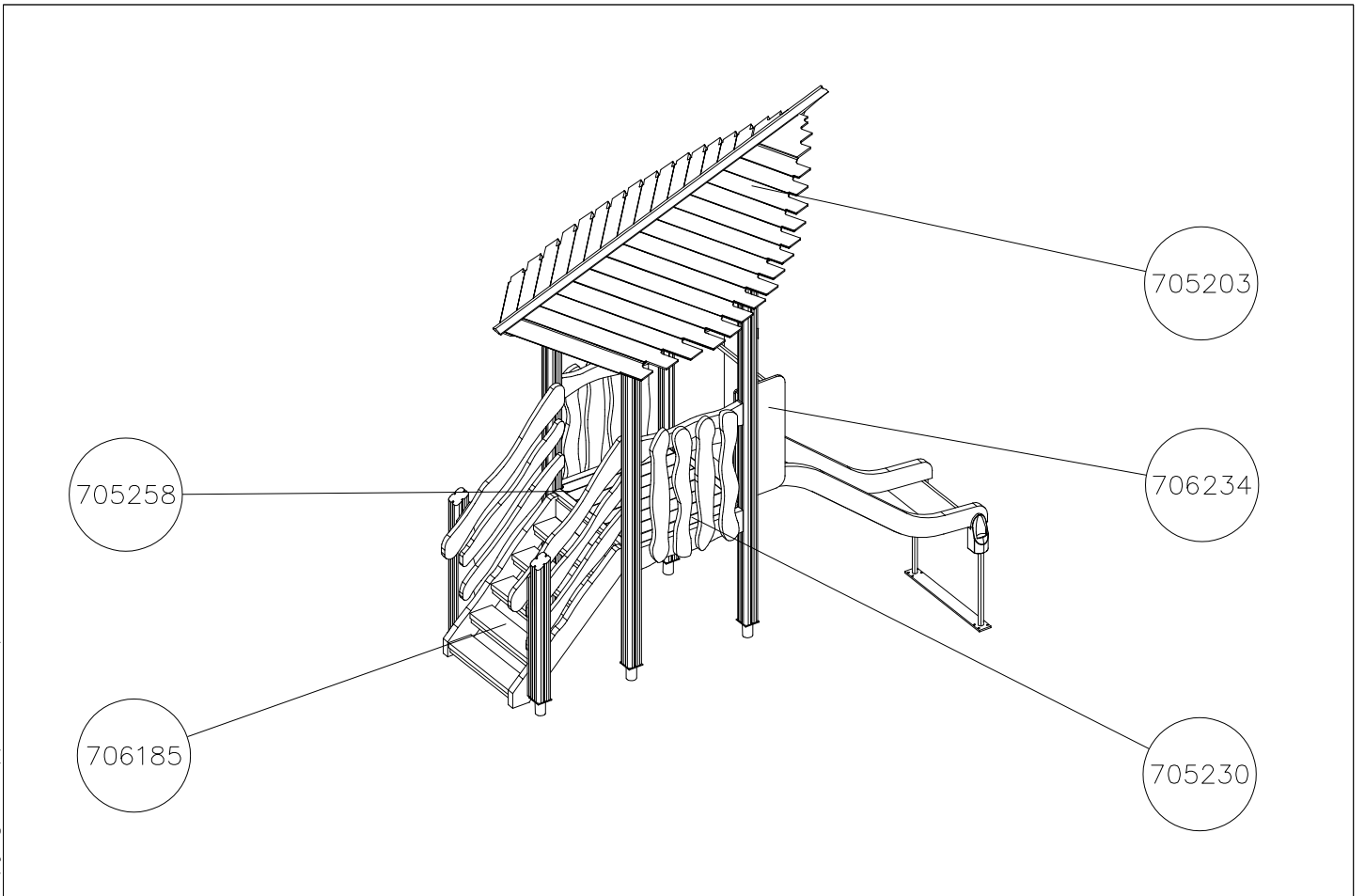
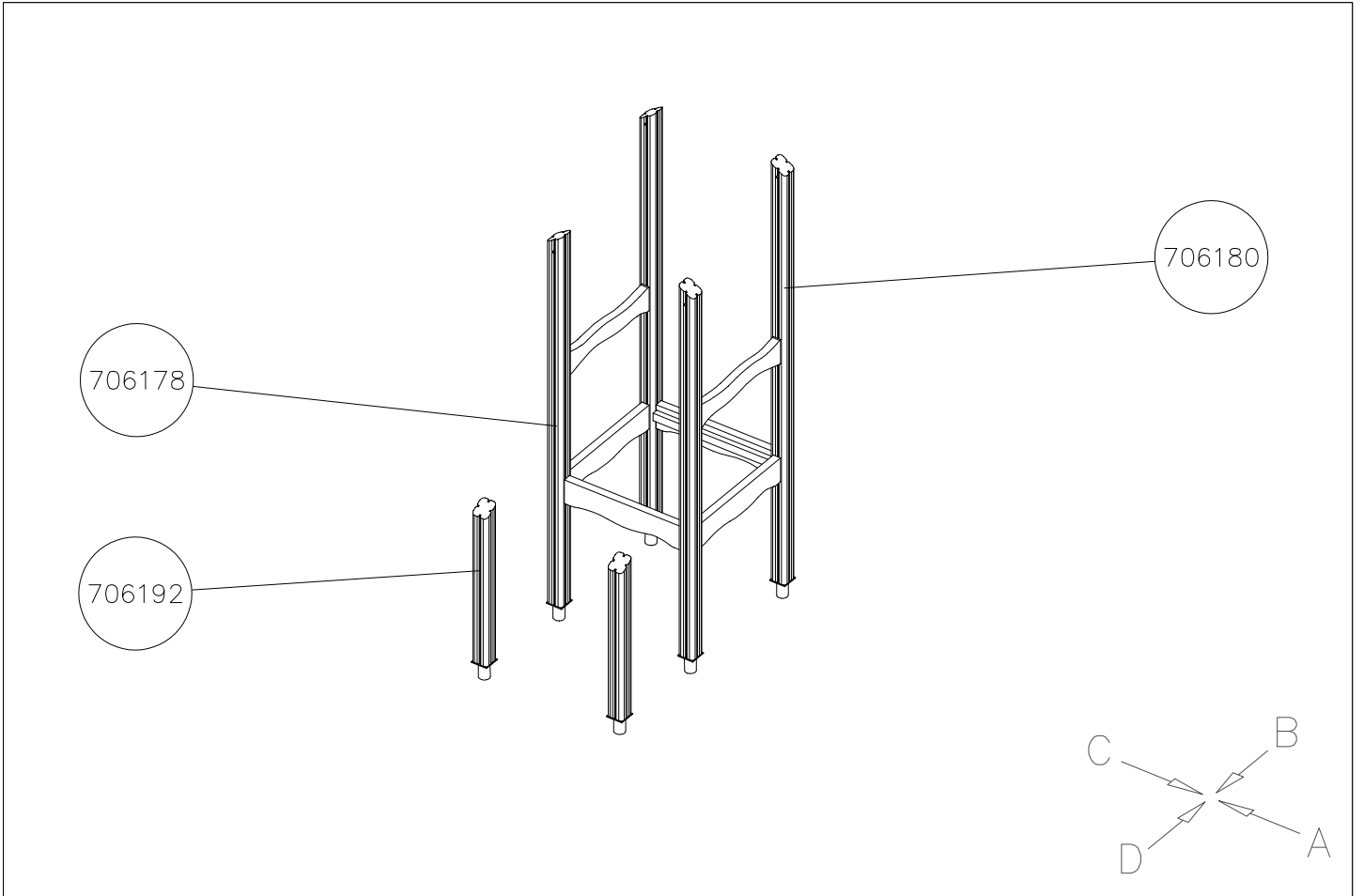
NOTE:  
Walls contain  
floor boom 705211.  
HUOM:  
Seinät sisältävät  
lattia puomin 705211.

DET 2





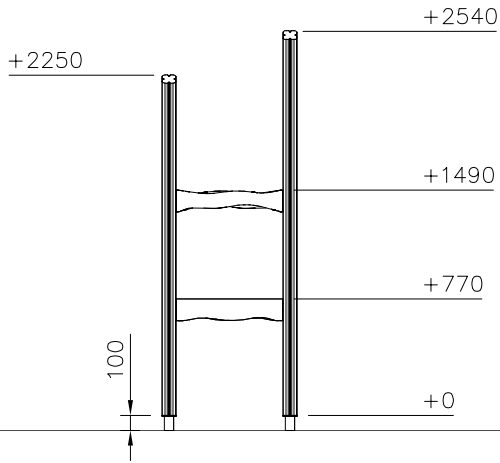
DATE: 14.1.2025



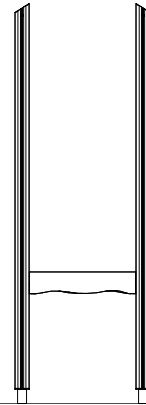
DATE: 14.1.2025

1:50

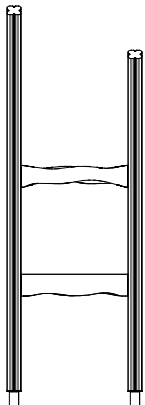
(A)



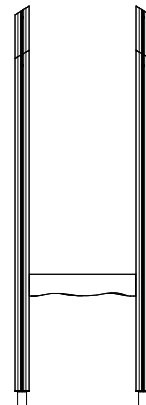
(B)

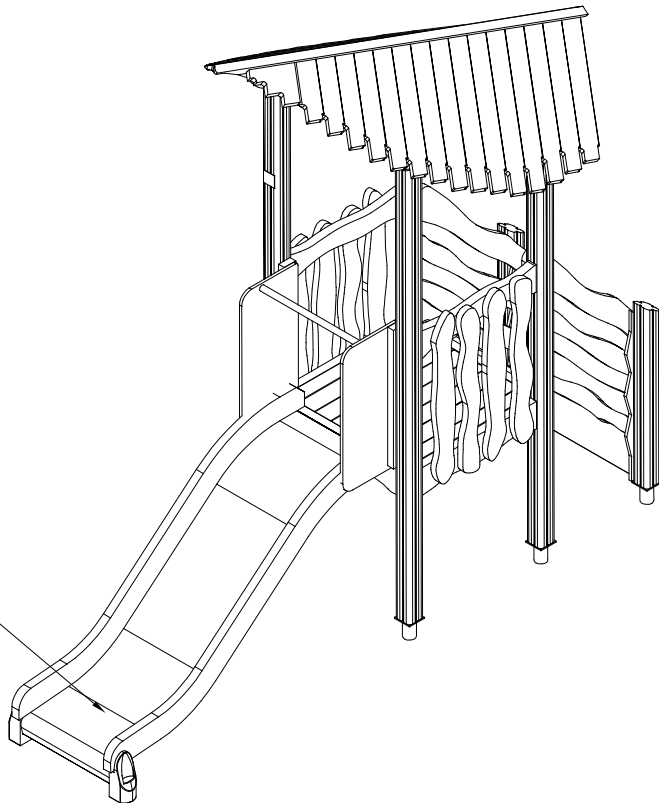
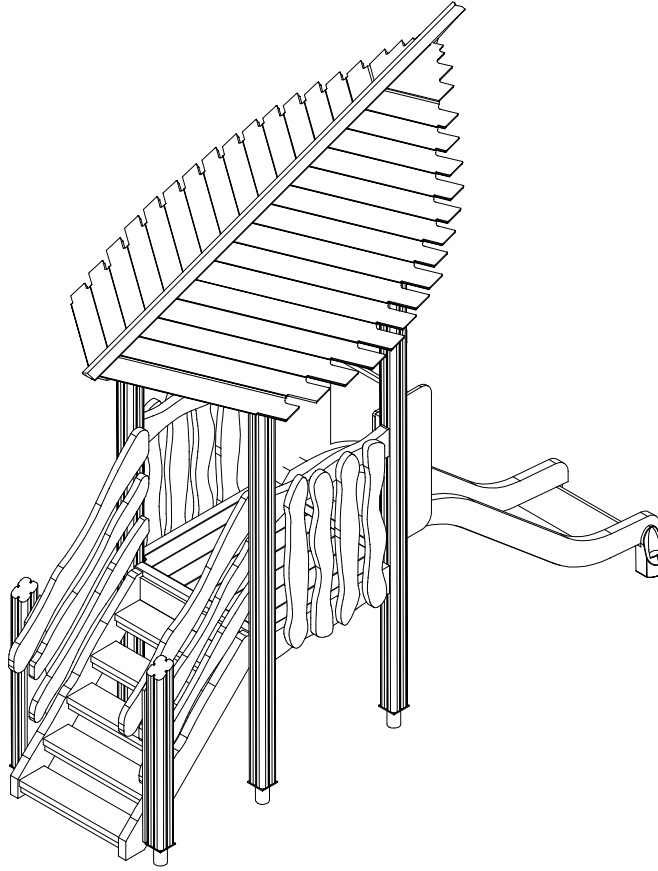


(C)



(D)





Max falling height