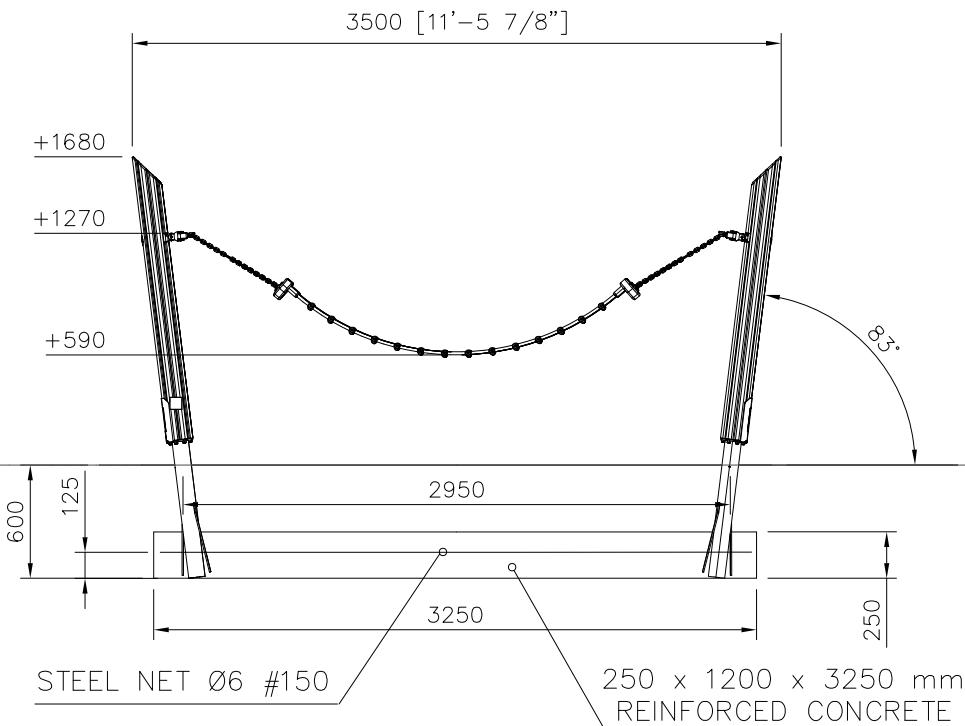
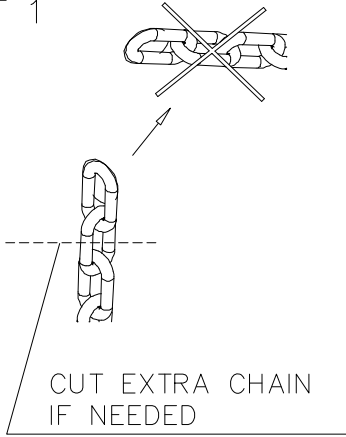


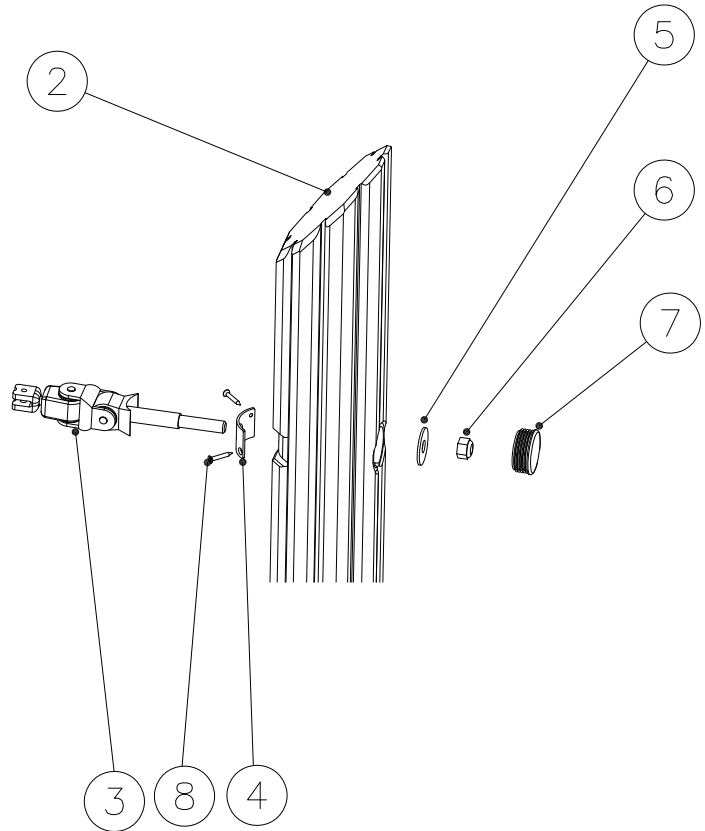
①	903112	PCS	②	P14332	PCS
		2			2
	750			140x140x1550	
③	908414	PCS	④	910702	PCS
		2			2
				2.9x44x61	
⑤	910722	PCS	⑥	903158	PCS
		2			2
	50/17x3			M16	
⑦	908612	PCS	⑧	980129	PCS
		2			4
	Ø60x27			Ø5x35	
⑨	702286	PCS	⑩	980114	PCS
		1			4
	65x65			Ø4x20	
⑪	P18655	PCS	⑫	905104	PCS
		1			16
				M10	
⑬	911916	PCS	⑭	900240	PCS
		2			14
	71x136x241			Ø8x70	



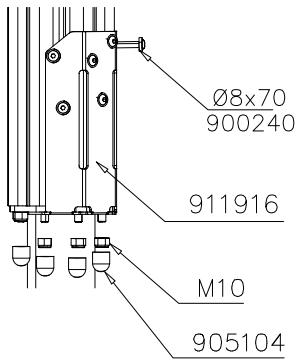
DET 1



DET 2



DET 3



—— EN Impact Area 15 m<sup>2</sup>  
- - - Falling Space 15 m<sup>2</sup>  
Max Falling Height 1000 mm

