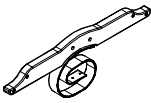
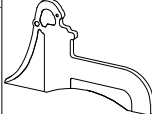



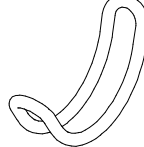
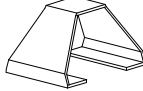


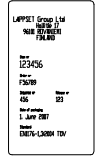
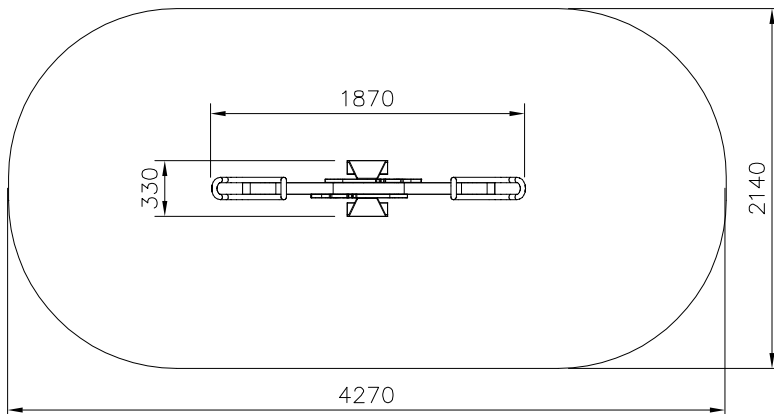
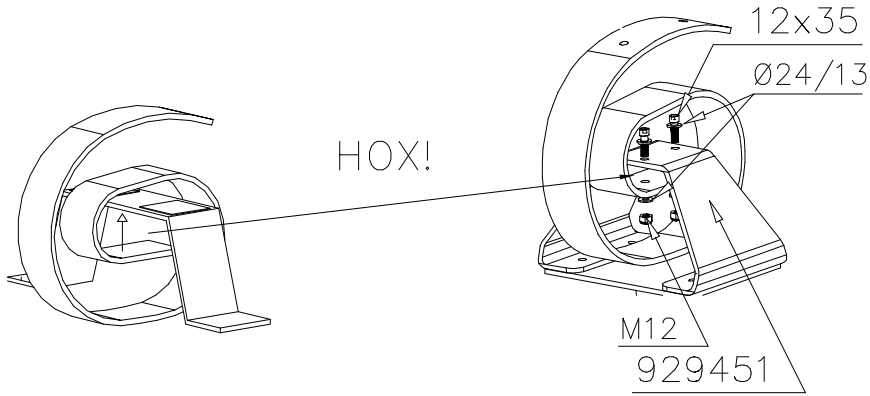


① 706737	PCS	② P18581	PCS
	1		2
1500x510x90		20x332x574	
③ 906511	PCS	④ 909146	PCS
	2		2
M12		M12x35	
⑤ 909851	PCS	⑥ 909895	PCS
	8		2
M8x55		479x249x134	
⑦ 929451	PCS	⑧ 980123	PCS
	1		6
330x240x190		Ø7x60	
⑨ 980154	PCS	⑩ 702341	PCS
	4		1
Ø24/13		90x50	
	PCS		PCS
	PCS		PCS
	PCS		PCS

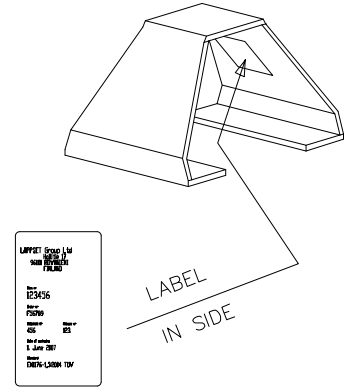
EN Impact Area 8.3 m<sup>2</sup>  
 Falling space 8.3 m<sup>2</sup>  
 Max falling height 590 mm.



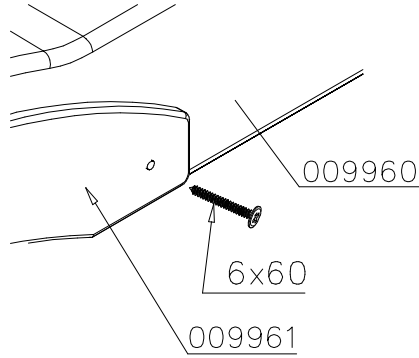
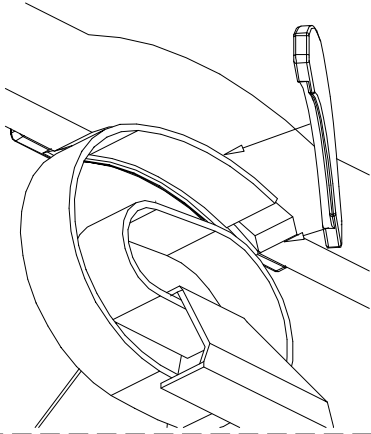
DET 1



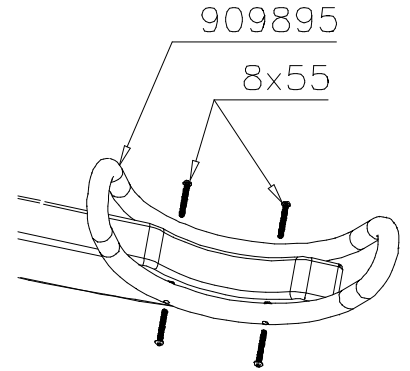
DET 2



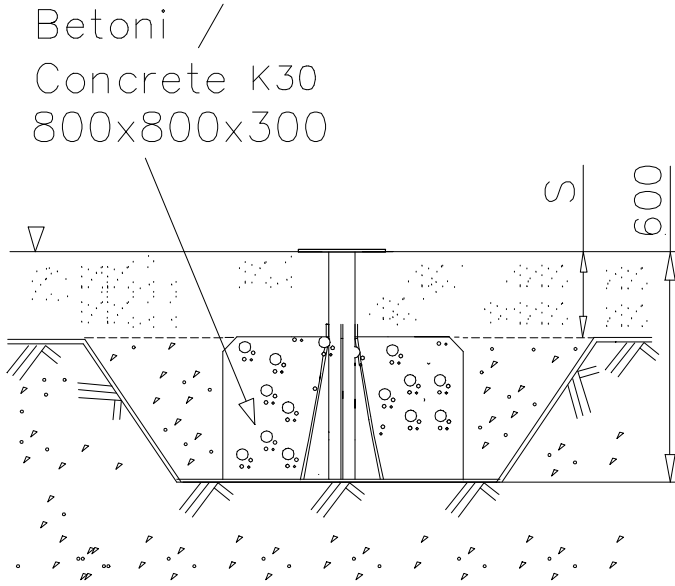
DET 3



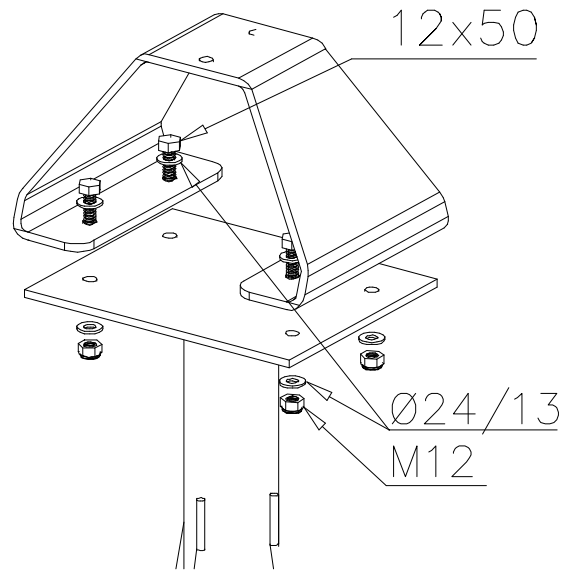
DET 4



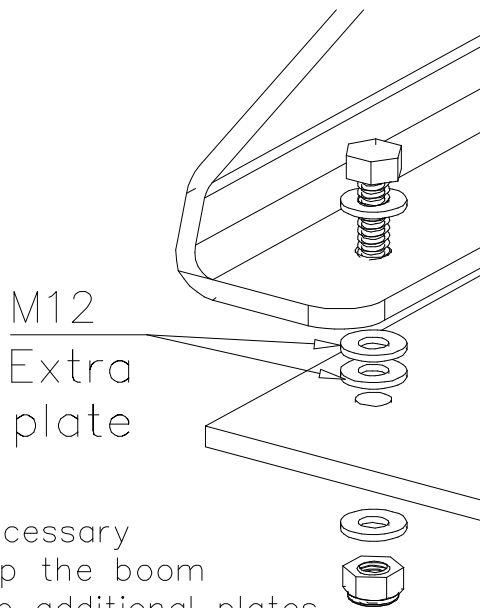
DET 1



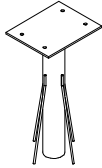



DET 2



DET 3



If it is necessary  
 to level up the boom  
 please use additional plates.

①	929450	PCS	②	906511	PCS
		1			4
	300x240x600			M12	
③	909214	PCS	④	980154	PCS
		4			18
	M12x50			Ø24/13	
		PCS			PCS
		PCS			PCS