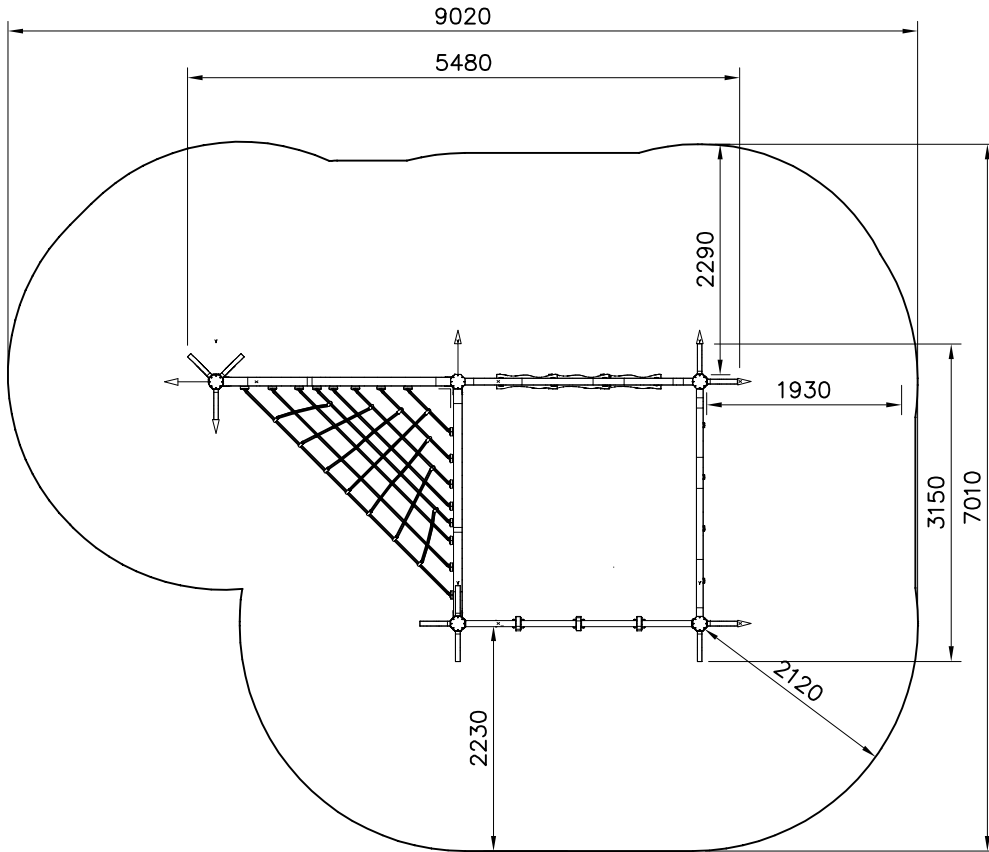
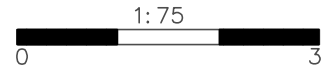
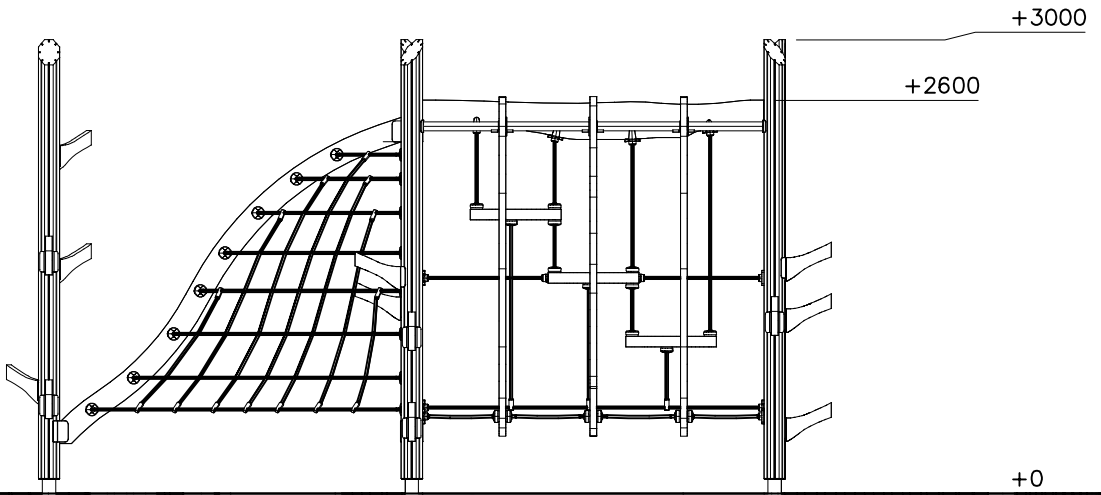


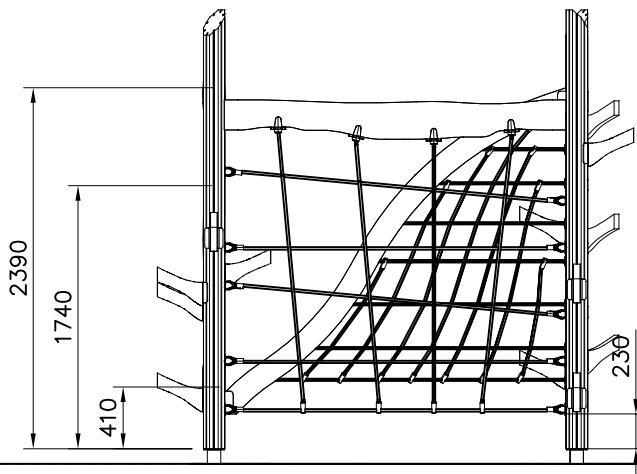
- EN/AS Impact Area 51.5 m²
- - - - Falling Space 51.7 m²
Max Falling Height 2600 mm



1:50



1:50



DATE: 10.12.2024

702286 65x65	PCS 1	702339 118x78	PCS 1	705429-001 140x140x2894	PCS 5	705431-001 68x260x2280	PCS 2	705917-001 1	PCS 1	705927 1	PCS 1
705932-001 1	PCS 1	705951-001 1	PCS 1	711514-001 15	PCS 15	903093 Ø8x90	PCS 12	903112 l=750	PCS 5	905104 M10	PCS 40
980114 Ø4x20	PCS 8		PCS		PCS		PCS		PCS		PCS
	PCS		PCS		PCS		PCS		PCS		PCS
	PCS		PCS		PCS		PCS		PCS		PCS
	PCS		PCS		PCS		PCS		PCS		PCS
	PCS		PCS		PCS		PCS		PCS		PCS