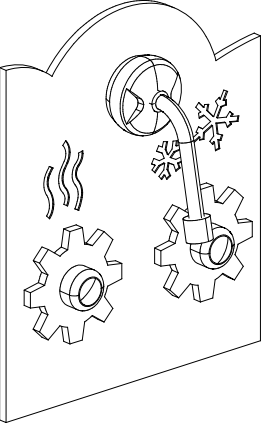
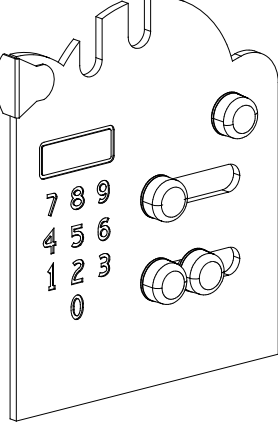
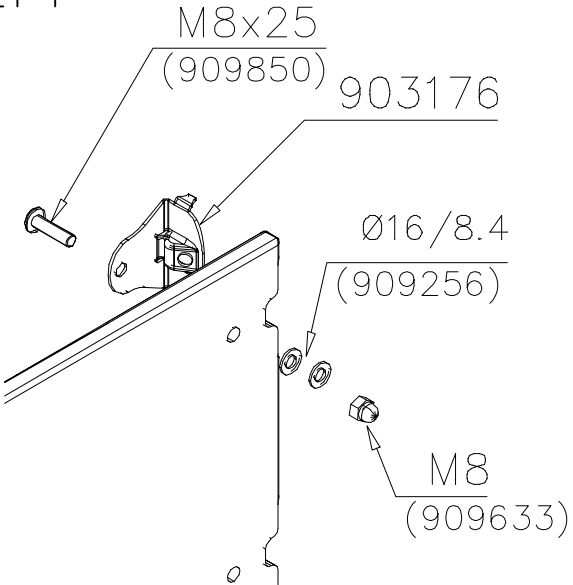
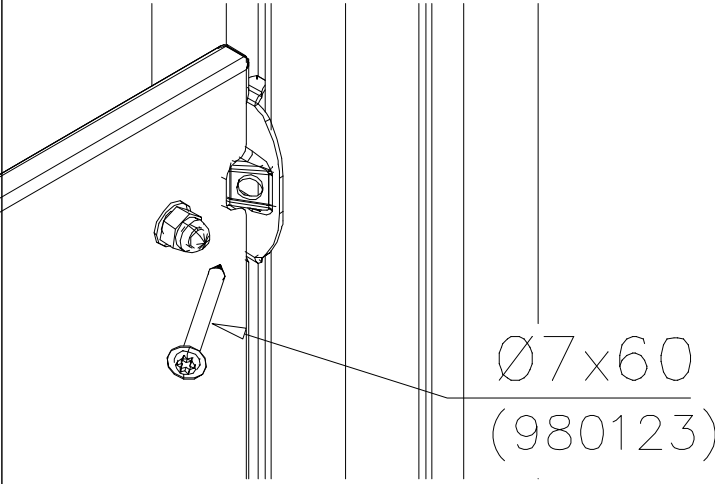
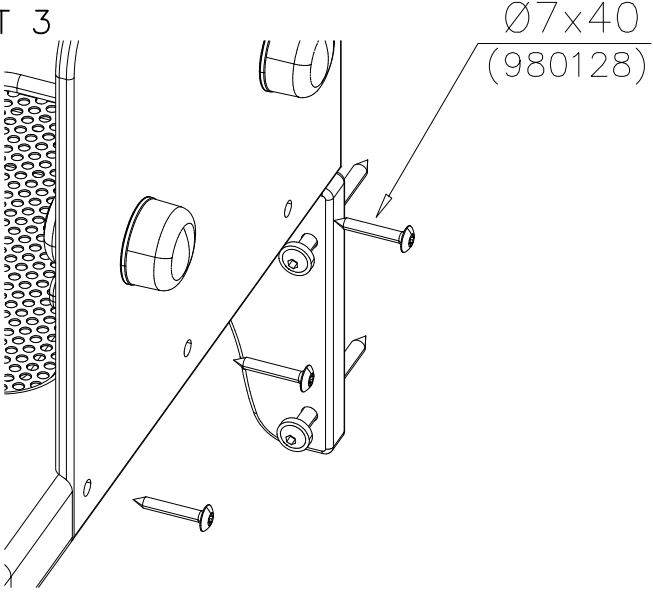
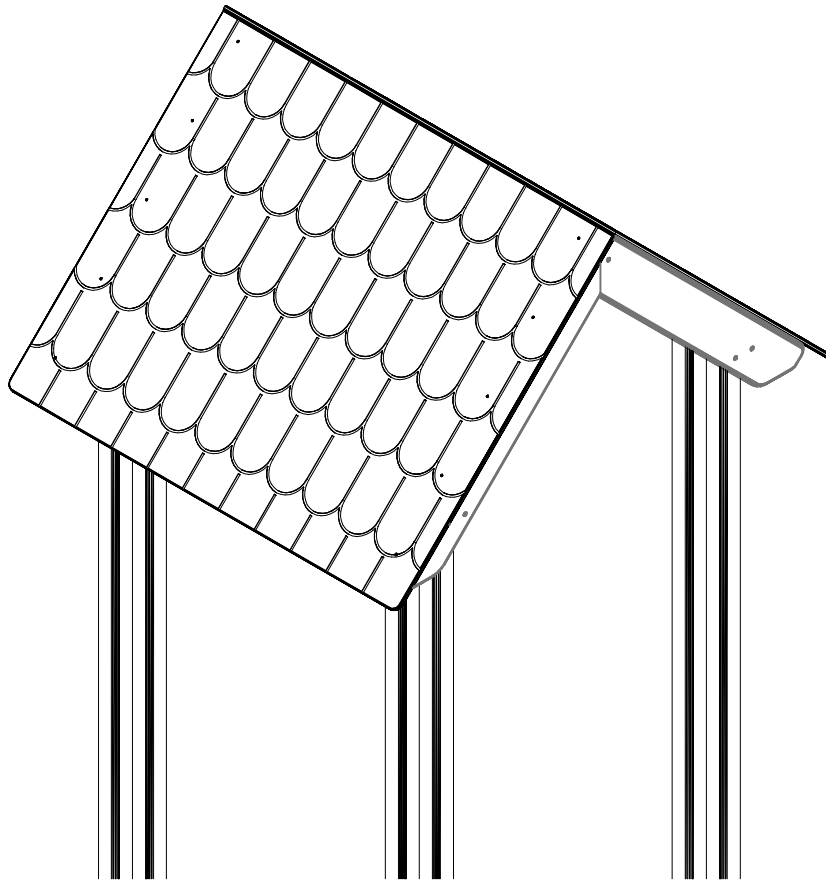
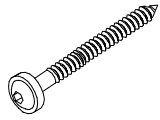
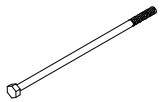

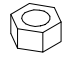
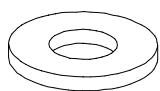
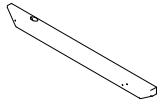
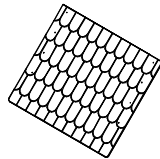
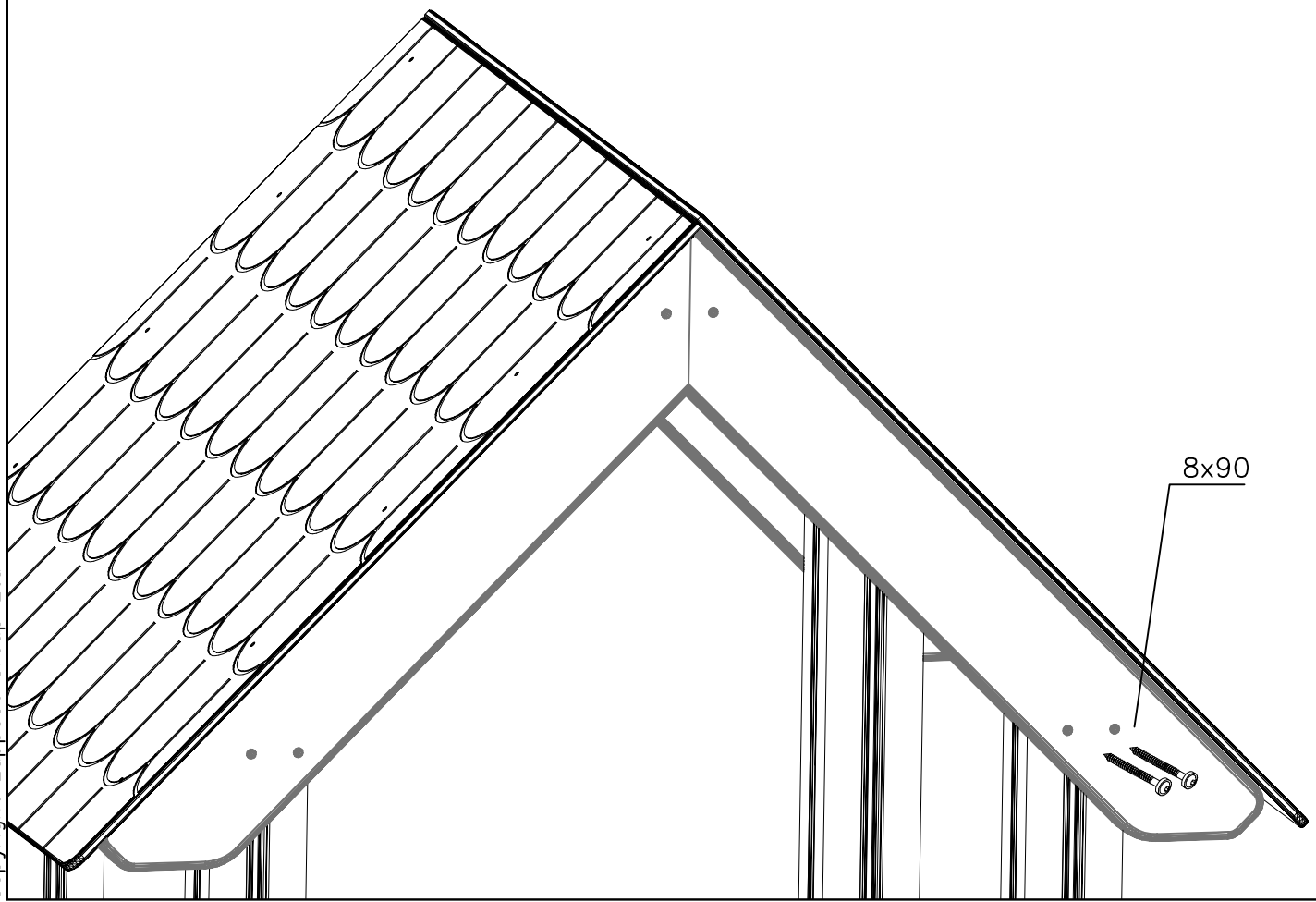


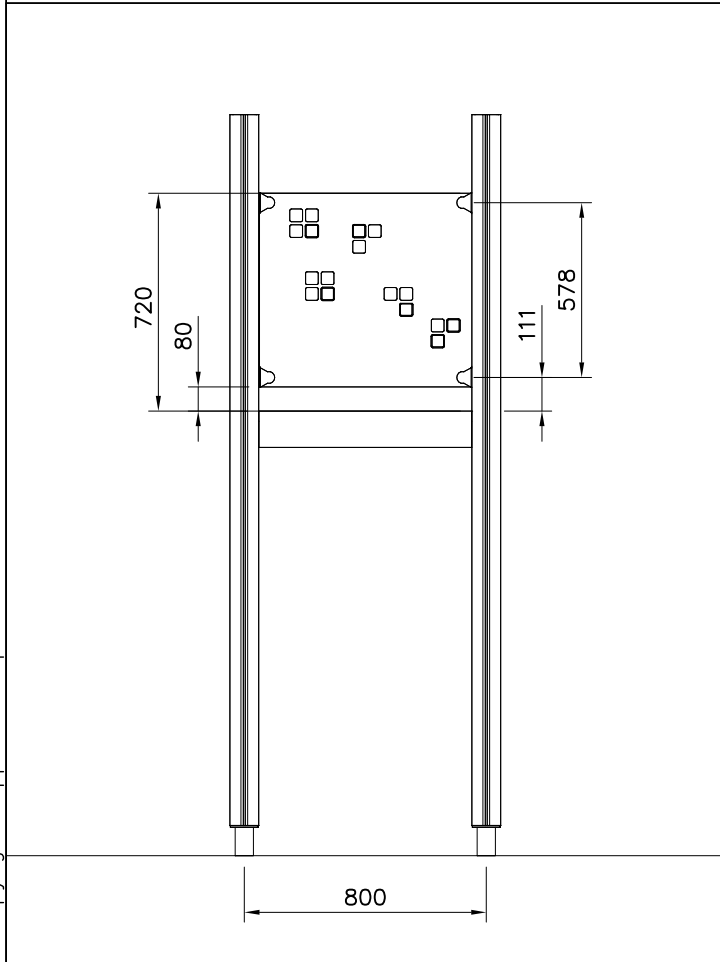
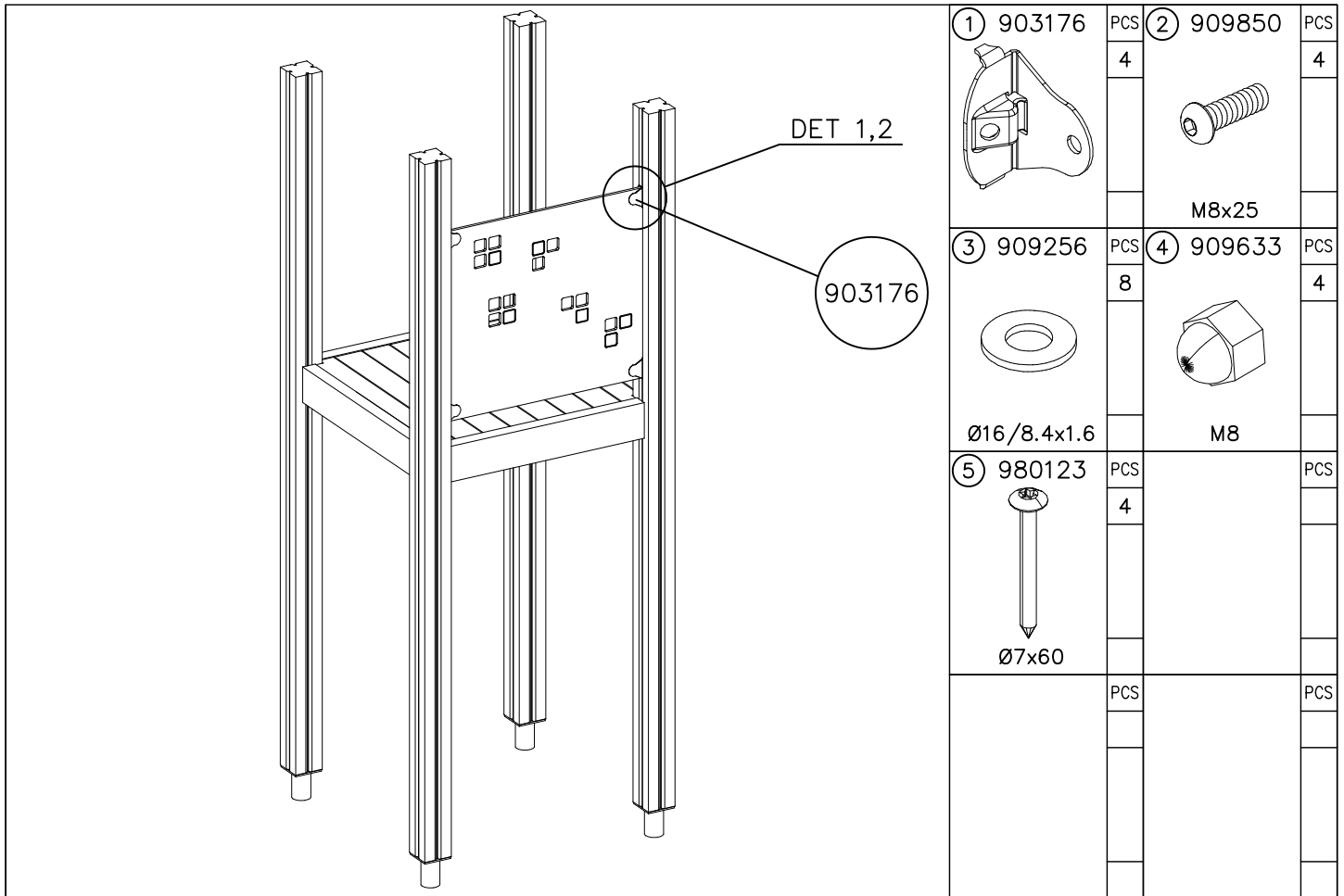
| | | | | | |
|---|--------|-----|---|---------|-----|
| ① | 903176 | PCS | ② | 909850 | PCS |
| | | 1 | | | 1 |
| | | | | M8x25 | |
| ③ | 980128 | PCS | ④ | 909256 | PCS |
| | | 3 | | | 2 |
| | Ø7x40 | | | Ø16/8.4 | |
| ⑤ | 909633 | PCS | ⑥ | 980123 | PCS |
| | | 1 | | | 1 |
| | M8 | | | Ø7x60 | |
| | | PCS | | | PCS |
| | | | | | |
| | | PCS | | | PCS |
| | | | | | |
| | | PCS | | | PCS |
| | | | | | |
| | | PCS | | | PCS |
| | | | | | |
| | | PCS | | | PCS |
| | | | | | |

| WALL OPTIONS | | WALL COLOR OPTIONS | |
|--|---|---|--|
| <p>709351*</p>  <p>10x351x423</p> | <p>709372*</p>  <p>10x351x423</p> | <p>–701 BLUE</p> <p>–702 YELLOW</p> <p>–703 LIME</p> <p>–704 DARK GREY</p> <p>–705 GREY</p> <p>–706 RED</p> <p>–707 GREEN</p> <p>–708 FUCHSIA</p> | |
| <p>DET 1</p>  | <p>DET 2</p>  | | |
| <p>DET 3</p>  | <p>*Note:</p> <p>Wall 709351 compatible only with table 709406</p> <p>Wall 709372 compatible only with table 709374</p> | | |



| | | | |
|---|-----------|---|----------|
| ① 903093 | PCS 12 | ② 909136 | PCS 2 |
|  | |  | |
| 8x90 | | 12x180 | |
| ③ 902270 | PCS 20 | ④ 980153 | PCS 2 |
|  | |  | |
| Ø5x50 | | M12 | |
| ⑤ 980154 | PCS 4 | ⑥ P13328 | PCS 4 |
|  | |  | |
| Ø24/13 | | | |
| ⑦ P13329 | PCS 2 | | PCS |
|  | | | |









| | | | |
|---|-----|---|-----|
| ① 008986 | PCS | ② 706443 | PCS |
|  | 1 |  | 2 |
| 750x750 | | 32x45x702 | |
| ③ 900240 | PCS | ④ 980101 | PCS |
|  | 6 |  | 8 |
| Ø8x70 | | Ø4.5x70 | |
| | PCS | | PCS |
| | | | |
| | PCS | | PCS |
| | | | |
| | PCS | | PCS |
| | | | |

DET 1

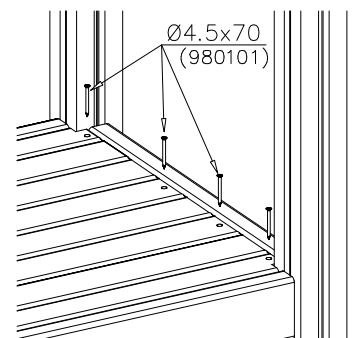


DET 2

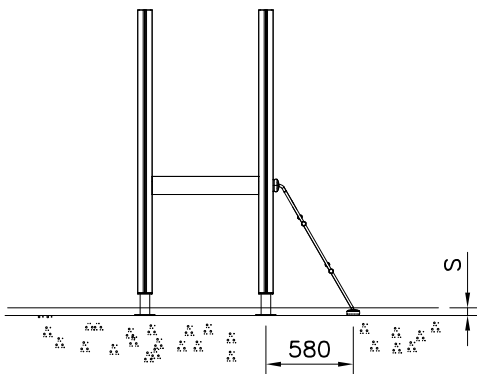
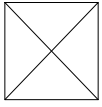
Naulanauha kannatinlistan puolelle.
Nail list to the bottom.



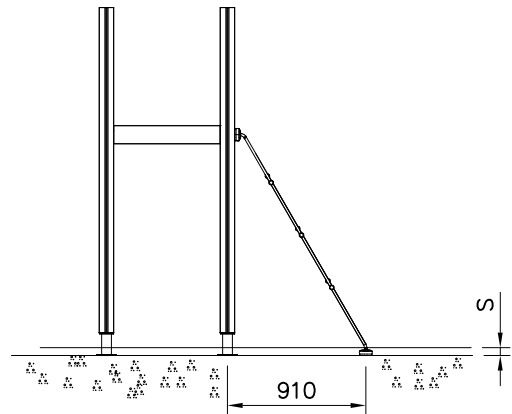
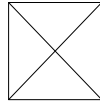
DET 3



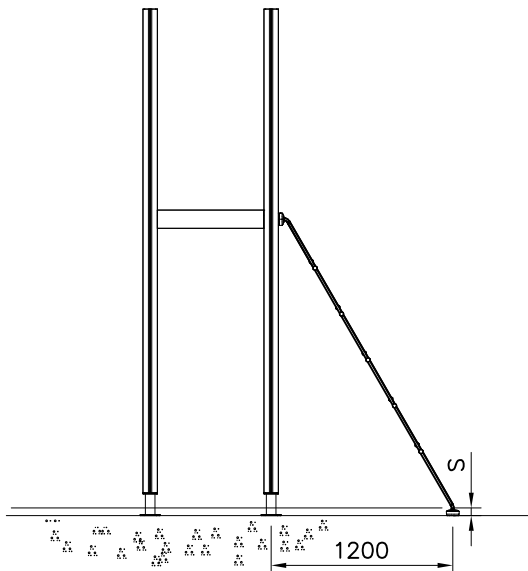
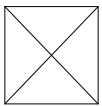
+870



+1470



+1970



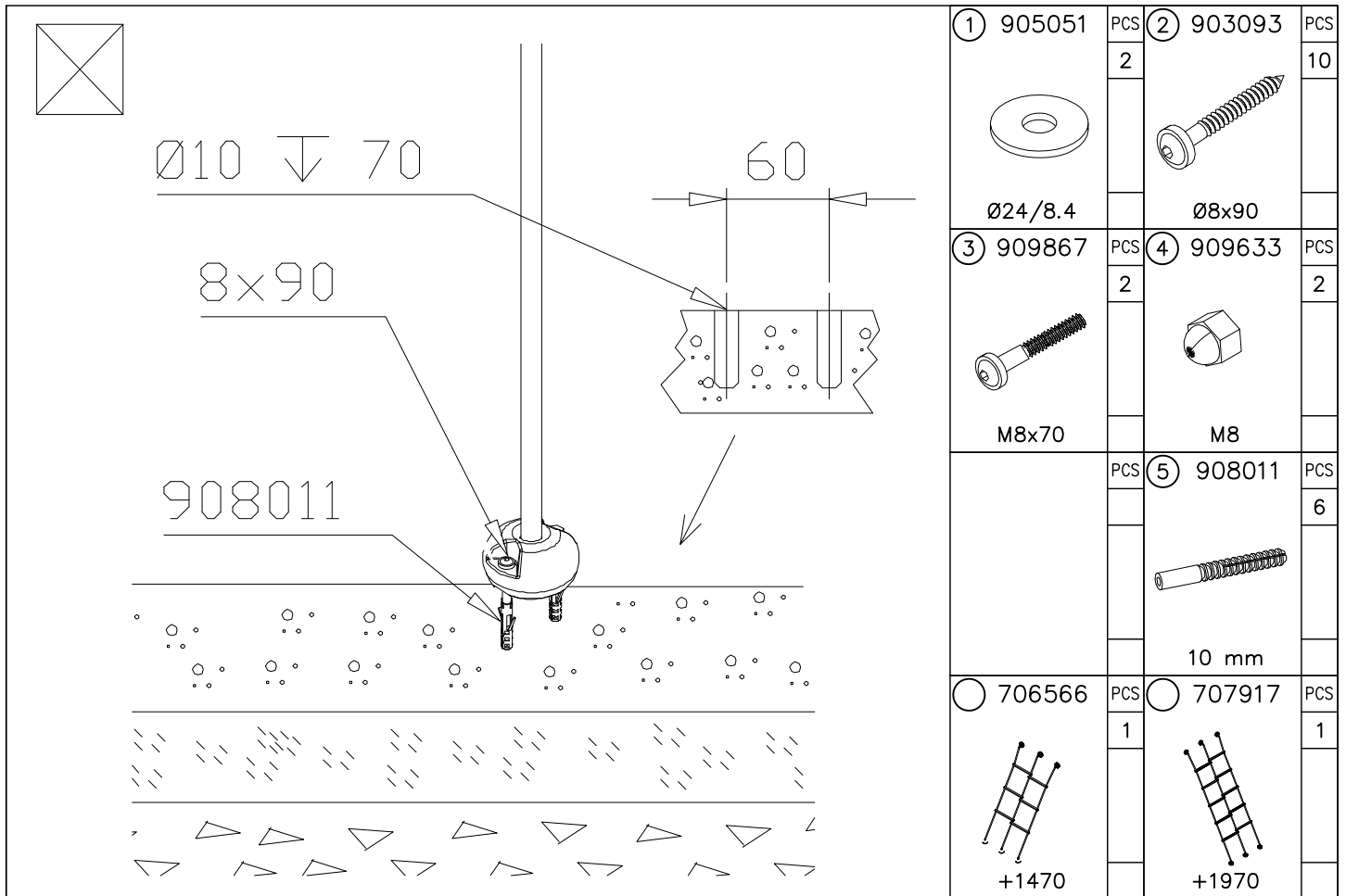
LAPPSET®

SURF. FOUNDATION

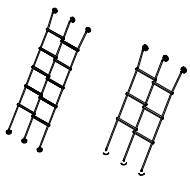
ROPE LADDER

DATE: 30.9.2016

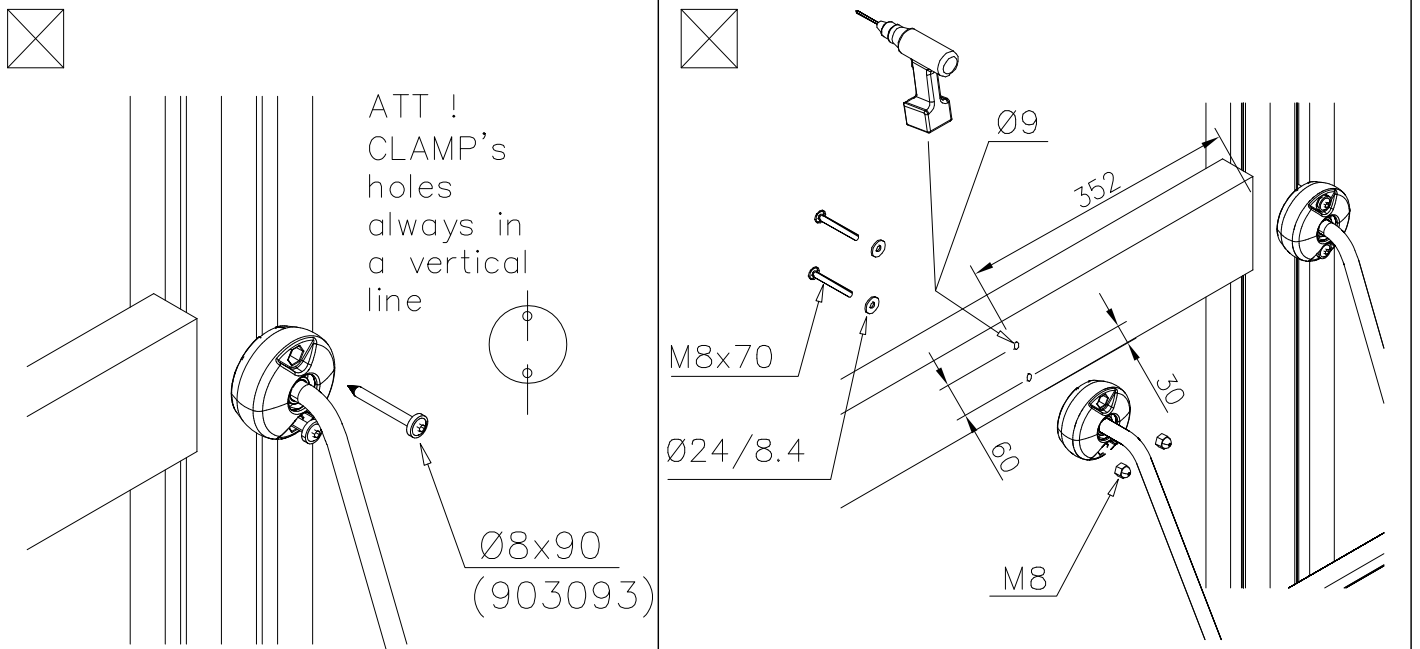
1(1)



ROPE LADDER OPTIONS



| | |
|------------|--------|
| xxxxxx-301 | BLUE |
| xxxxxx-302 | RED |
| xxxxxx-303 | BEIGE |
| xxxxxx-304 | GRAY |
| xxxxxx-305 | BLACK |
| xxxxxx-306 | YELLOW |

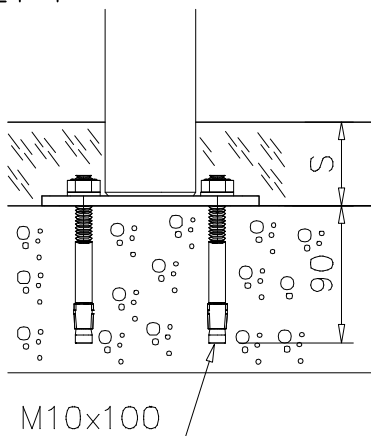




DET 1, 2, 3

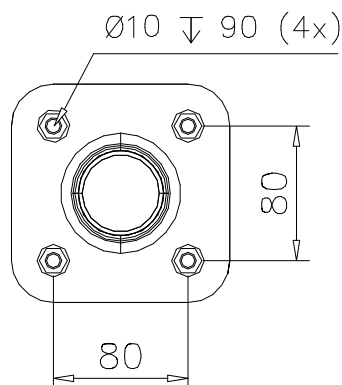
| | | | |
|----------|-----|----------|-----|
| ① 909531 | PCS | ① 909513 | PCS |
| | 1 | | 1 |
| | | 60° | |
| ① 909514 | PCS | ① 902056 | PCS |
| | 1 | | 1 |
| | | 75° | 57° |
| ① 902062 | PCS | | PCS |
| | 1 | | |
| | | 70° | |
| | PCS | | PCS |
| | | | |
| | PCS | | PCS |
| | | | |
| ② 909628 | PCS | | PCS |
| | 4 | | |
| M10x100 | | | |

DET 1

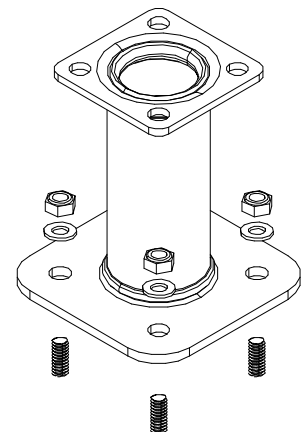


M10x100

DET 2



DET 3



LAPPSET® BETON FOUNDATION

FOOT

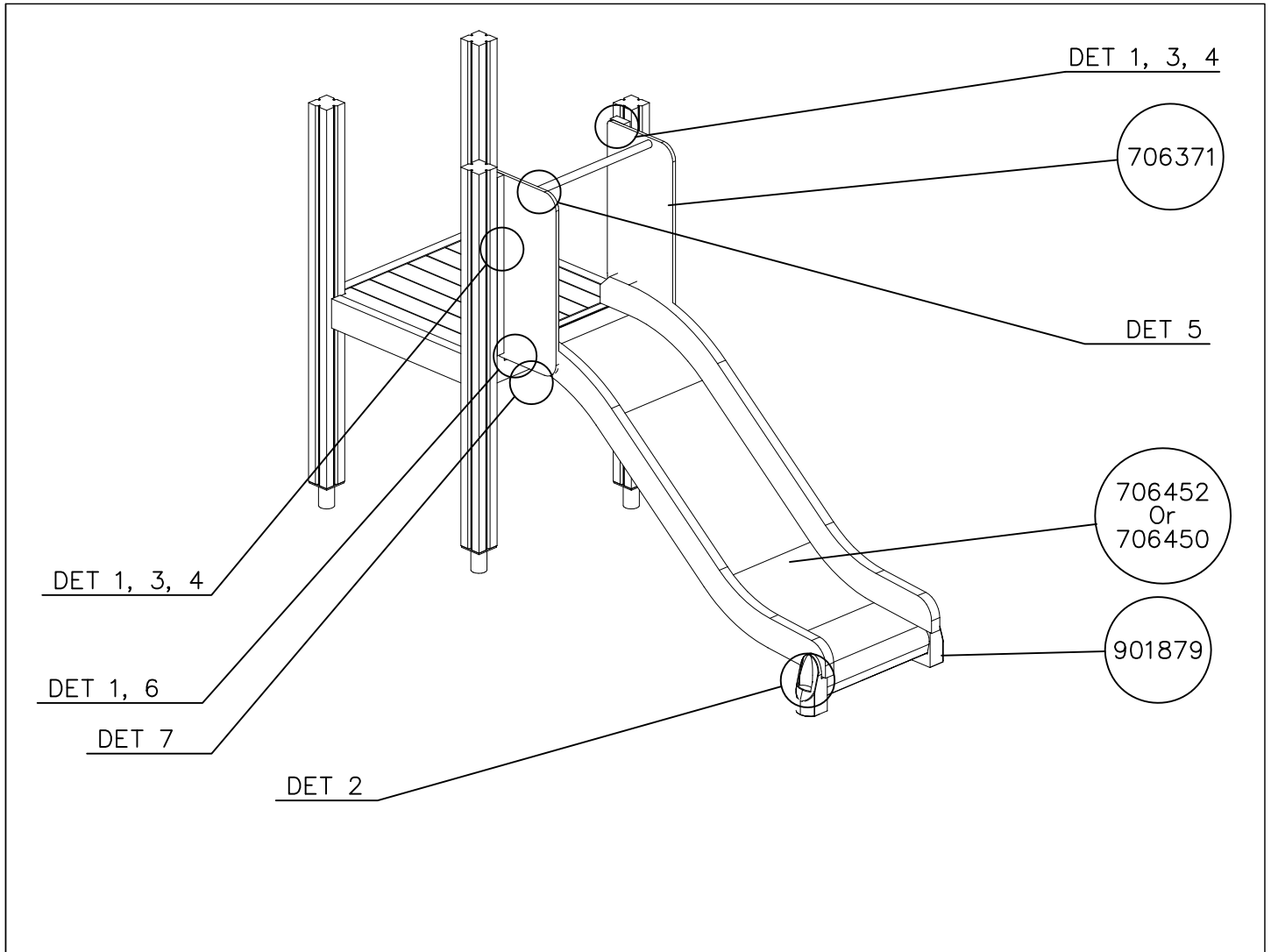
DATE: 27.10.2015

1(1)

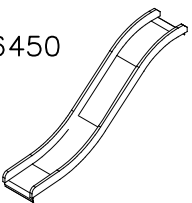
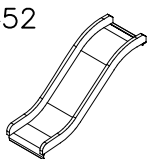
| | | | |
|---|-----|--|-----|
| ② 905104 | PCS | | PCS |
| | 4 | | |
|  | | | |
| M10 | | | |
| | PCS | | PCS |
| | | | |
| | | | |



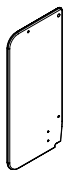
905104


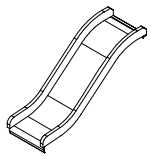
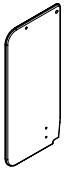

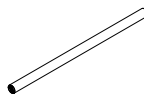
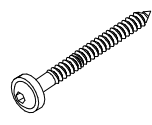
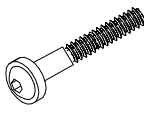
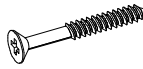
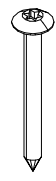



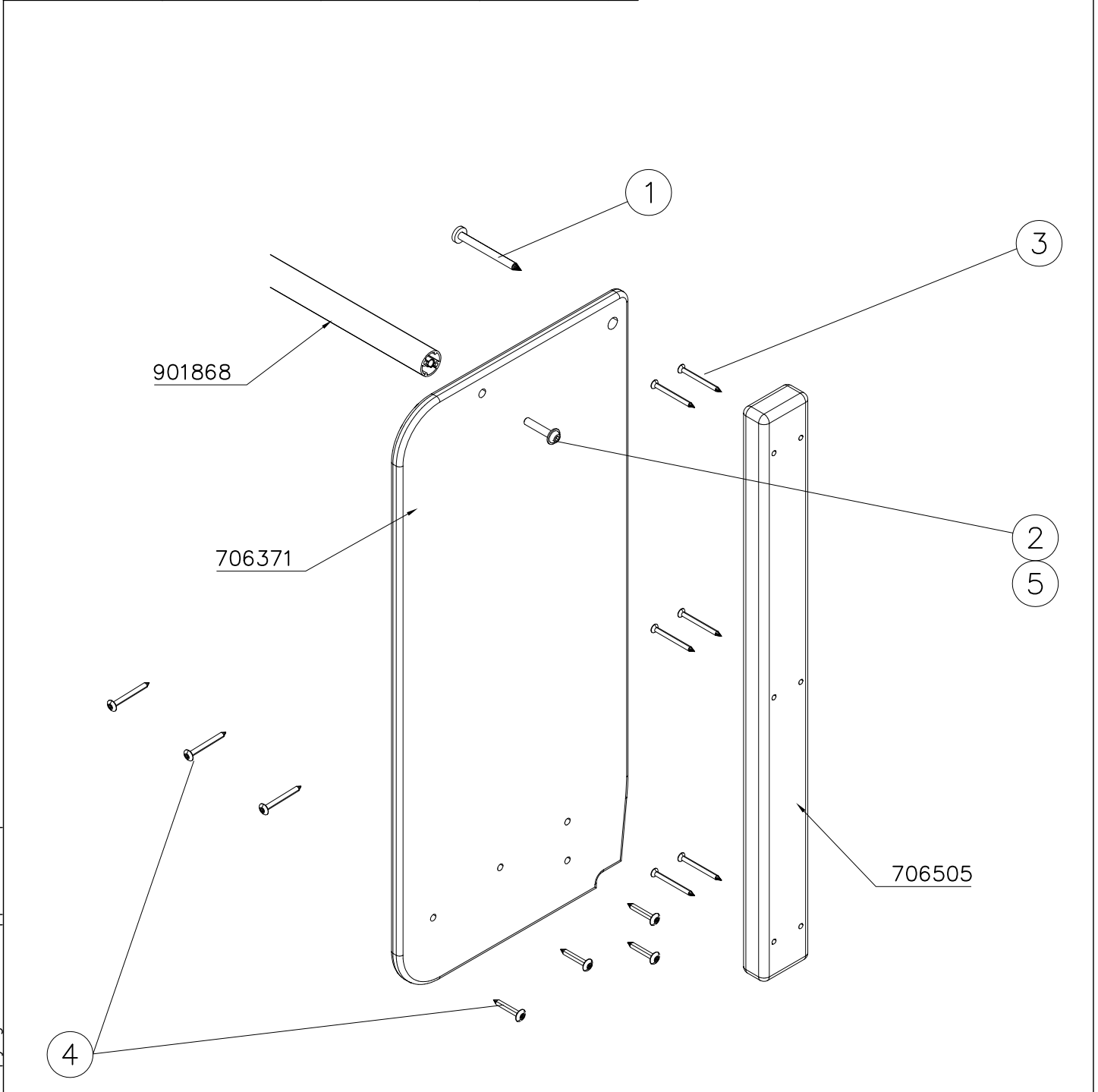
SLIDE OPTIONS

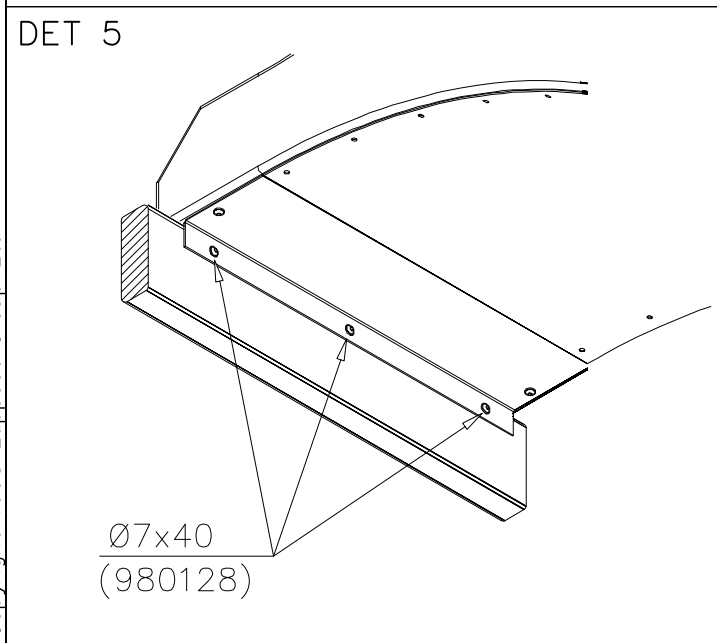
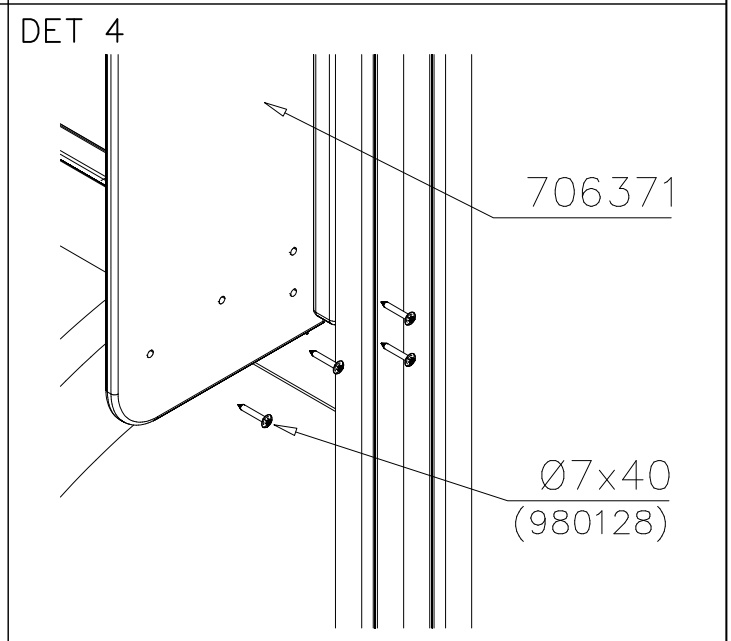
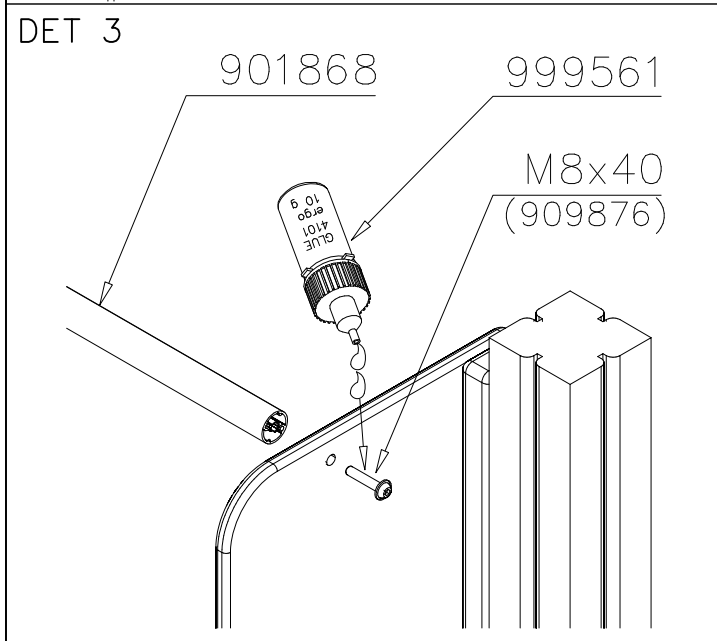
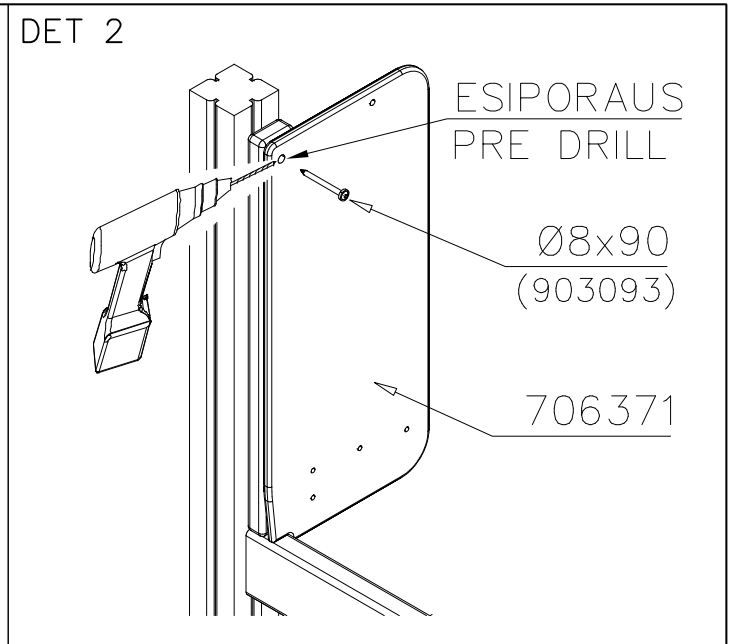
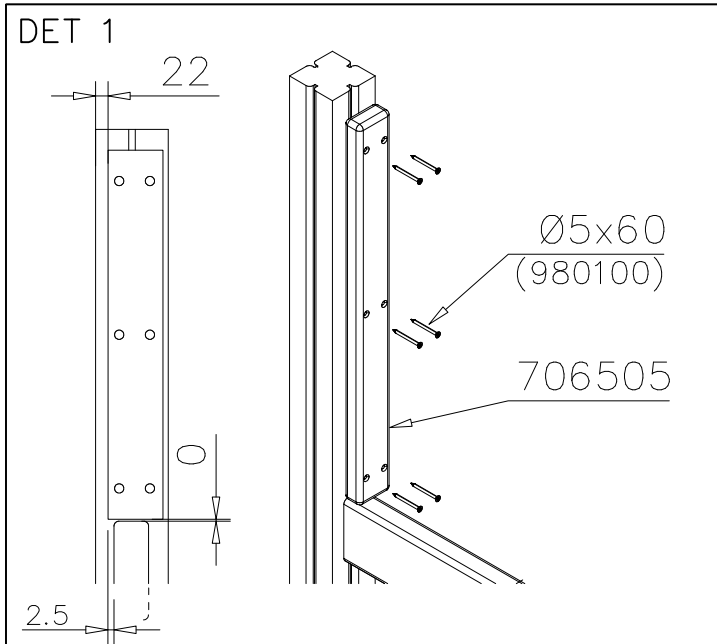
| | | |
|---|---|--|
|  <p>706450</p> | <p>706450-602 DARK BROWN 706450-603 LIGHT BROWN 706450-604 LIGHT GRAY</p> | |
|  <p>706452</p> | <p>706450-602 DARK BROWN 706450-603 LIGHT BROWN 706450-604 LIGHT GRAY</p> | |

WALL OPTIONS

| | | |
|---|--|---|
|  <p>706371</p> | <p>706371-701 BLUE 706371-702 YELLOW 706371-703 LIME 706371-704 DRARK GRAY 706371-705 LIGHT GRAY 706371-706 RED</p> | <p>706371-707 GREEN 706371-708 FUXIA</p> |
|---|--|---|

| | | | | | | | | | | | |
|--|-----|---|-----|---|-----|---|-----|--|-----|---|-----|
| ○ SLIDE | PCS | ○ SLIDE | PCS | ○ 706371 | PCS | ○ 706505 | PCS | ○ 901868 | PCS | ① 903093 | PCS |
|  | 1 |  | 1 |  | 2 |  | 2 |  | 1 |  | 2 |
| +1470 | | +870 | | 15x345x750 | | 35x70x730 | | Ø34x598 | | Ø8x90 | |
| ② 909876 | PCS | ③ 980100 | PCS | ④ 980128 | PCS | ⑤ 999561 | PCS | | | | |
|  | 2 |  | 12 |  | 11 |  | 1 | | | | |
| M8x40 | | Ø5x60 | | Ø7x40 | | 10g | | | | | |









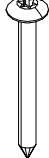
LAPPSET

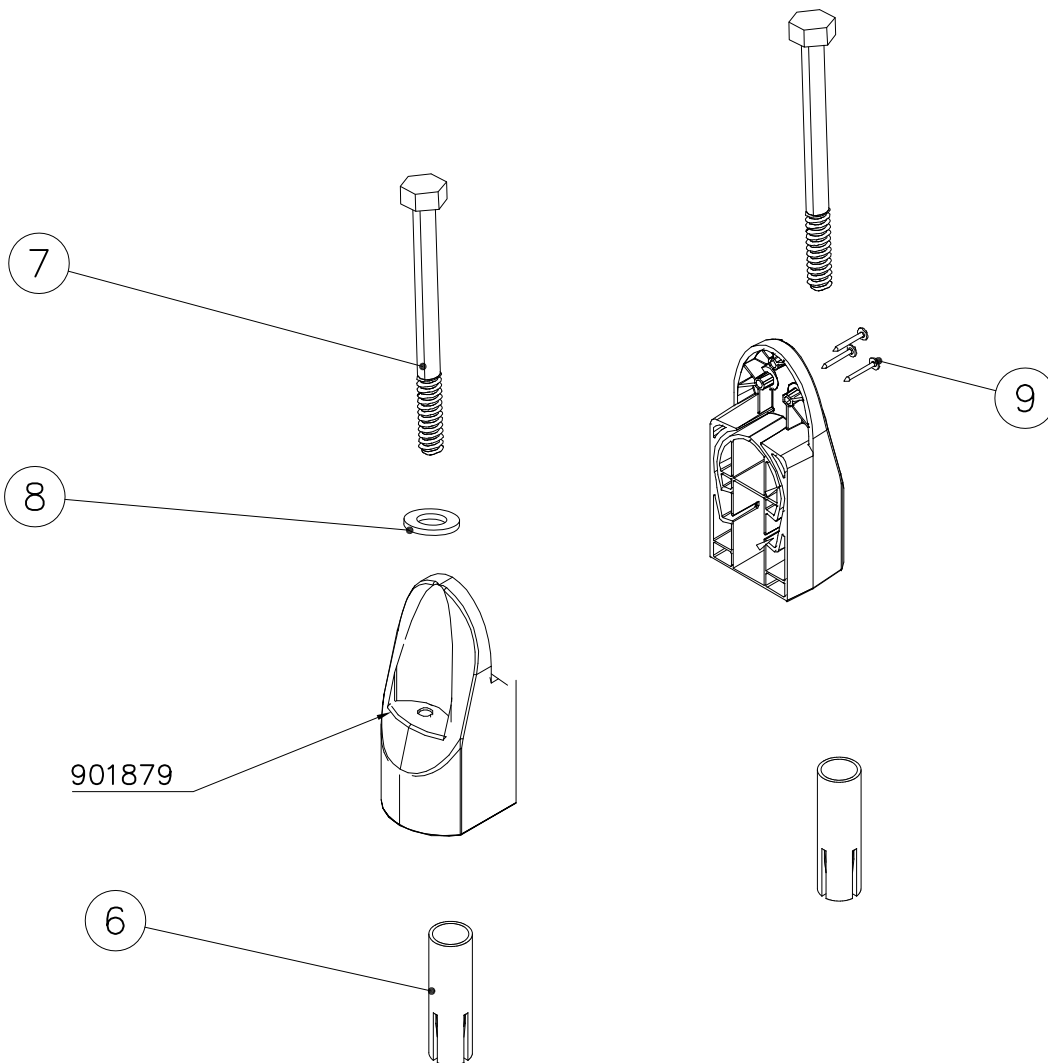
SURFACE FOUNDATION

SLIDE WOOD

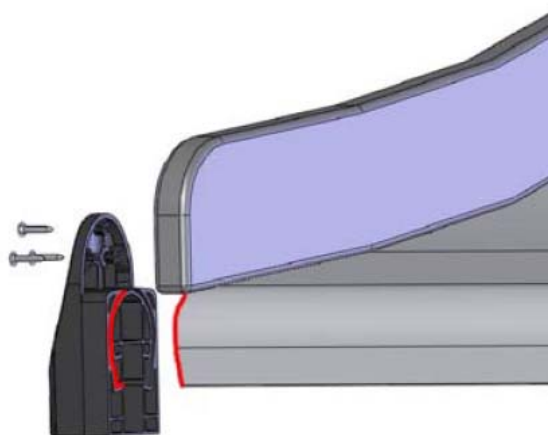
DATE: 3.11.2017

4(5)

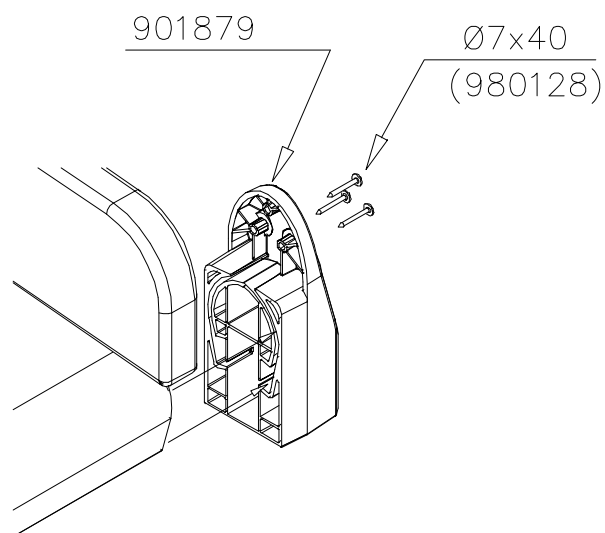
| | | | | | | | | | |
|--|-----|---|-----|---|-----|---|-----|--|-----|
| ○ 901879 | PCS | ⑥ 909509 | PCS | ⑦ 909139 | PCS | ⑧ 980154 | PCS | ⑨ 980128 | PCS |
|  | 2 |  | 2 |  | 2 |  | 4 |  | 6 |
| | | M12x50 | | M12x130 | | Ø24/13 | | Ø7x40 | |



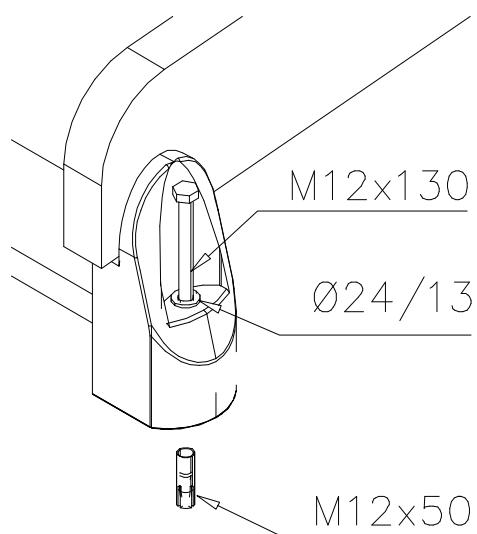
DET 7

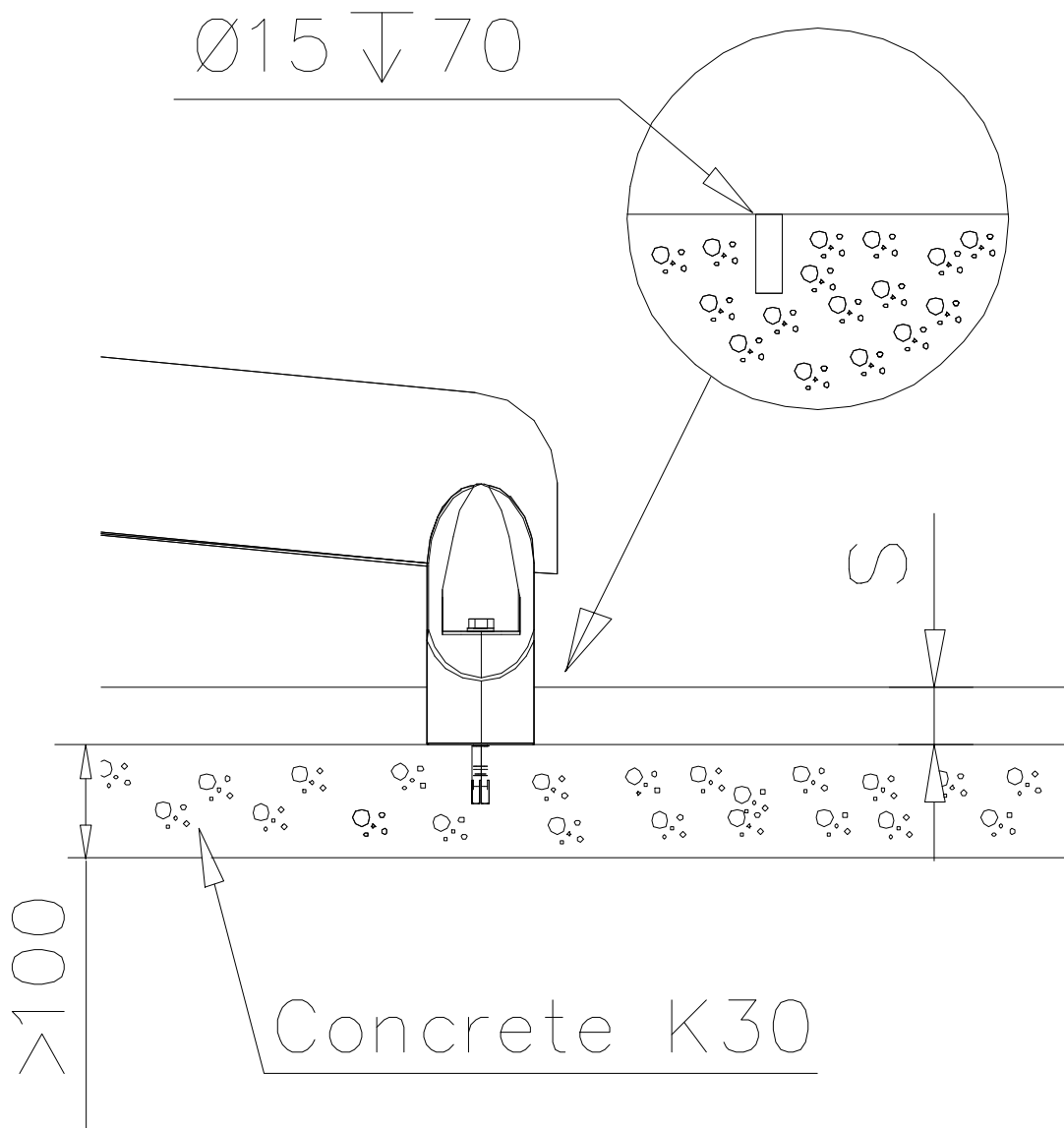


Insert sheet metal IN to the plastic cover.



DET 8



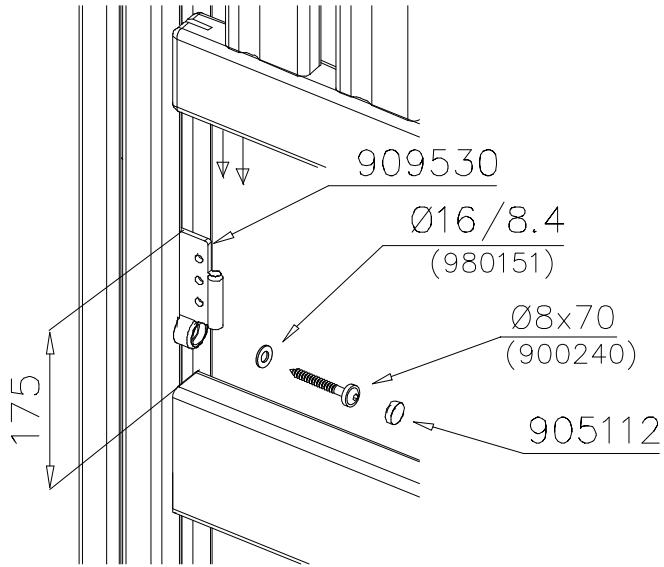


| | | | |
|------------|-----|-------------|-----|
| ① 706746 | PCS | ② 909530 | PCS |
| | 1 | | 4 |
| 45x640x701 | | 55.9x127.5 | |
| ③ 900240 | PCS | ④ 980151 | PCS |
| | 4 | | 4 |
| Ø8x70 | | Ø16/8.4x1.6 | |
| ⑤ 905112 | PCS | | PCS |
| | 4 | | |
| Ø22 | | | |
| | PCS | | PCS |

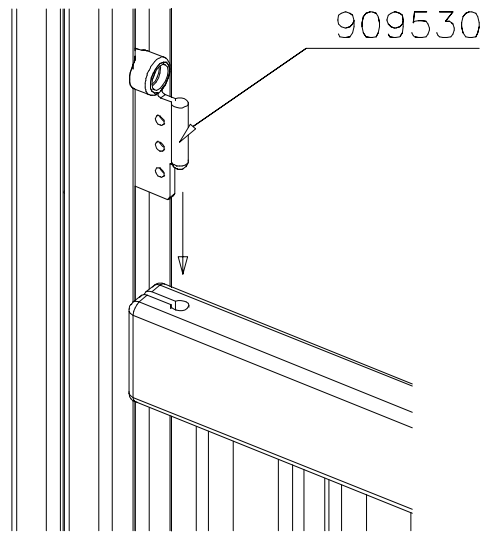


| WALL OPTIONS | | |
|--------------------------|--|--|
| 706746 45x640x701 | 706746-605 706746-606 706746-607 706746-608 706746-609 706746-610 706746-611 706746-612 | DARK GRAY GRAY RED BLUE GREEN YELLOW LIME FUXIA |

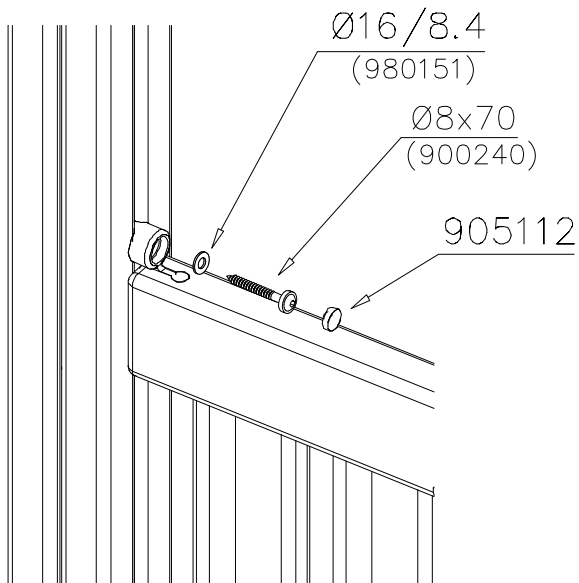
DET 1



DET 2



DET 3



DET 1,2

*Note:
No gaps between:
8–25mm
89–230mm

| | | | |
|-------------|-----|----------|-----|
| ① 903176 | PCS | ② 909850 | PCS |
| | 4 | | 4 |
| | | M8x25 | |
| ③ 909256 | PCS | ④ 909633 | PCS |
| | 8 | | 4 |
| Ø16/8.4x1.6 | | M8 | |
| ⑤ 980123 | PCS | | PCS |
| | 4 | | |
| Ø7x60 | | | |

800

80

*Note

800

80

*Note

| COLOR OPTIONS | |
|---------------|------------|
| -701 | BLUE |
| -702 | YELLOW |
| -703 | LIME |
| -704 | DARK GRAY |
| -705 | LIGHT GRAY |
| -706 | RED |
| -707 | GREEN |
| -708 | FUXIA |

GAME WALL OPTIONS

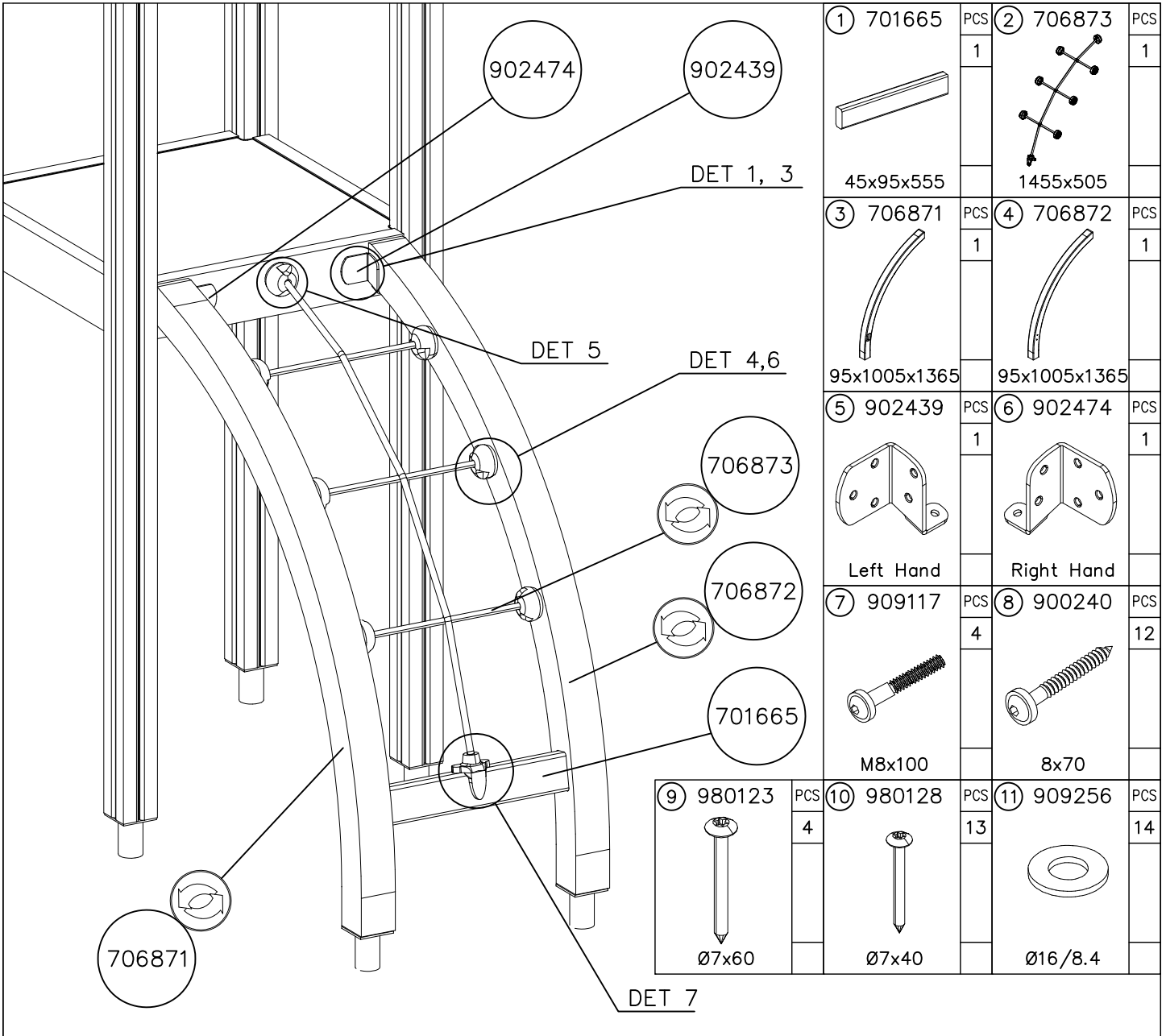
| | | | |
|---|---|--|--|
| 706766 | 706772 | 706308 | 707453 |
|  |  |  |  |
| 640x702 | 640x702 | 640x702 | 640x702 |
| 707209 | 705705 | 707433 | 707386 |
|  |  |  |  |
| 640x702 | 640x702 | 640x702 | 640x702 |
| 709403 | 709358 | 709405 | |
|  |  |  | |
| 640x702 | 640x702 | 420x702 | |

DET 1



DET 2





| | | | | | |
|--------------|-----|--------------|-----|----------|-----|
| ① 701665 | PCS | ② 706873 | PCS | | |
| | 1 | | 1 | | |
| 45x95x555 | | 1455x505 | | | |
| ③ 706871 | PCS | ④ 706872 | PCS | | |
| | 1 | | 1 | | |
| 95x1005x1365 | | 95x1005x1365 | | | |
| ⑤ 902439 | PCS | ⑥ 902474 | PCS | | |
| | 1 | | 1 | | |
| Left Hand | | Right Hand | | | |
| ⑦ 909117 | PCS | ⑧ 900240 | PCS | | |
| | 4 | | 12 | | |
| M8x100 | | 8x70 | | | |
| ⑨ 980123 | PCS | ⑩ 980128 | PCS | ⑪ 909256 | PCS |
| | 4 | | 13 | | 14 |
| Ø7x60 | | Ø7x40 | | Ø16/8.4 | |

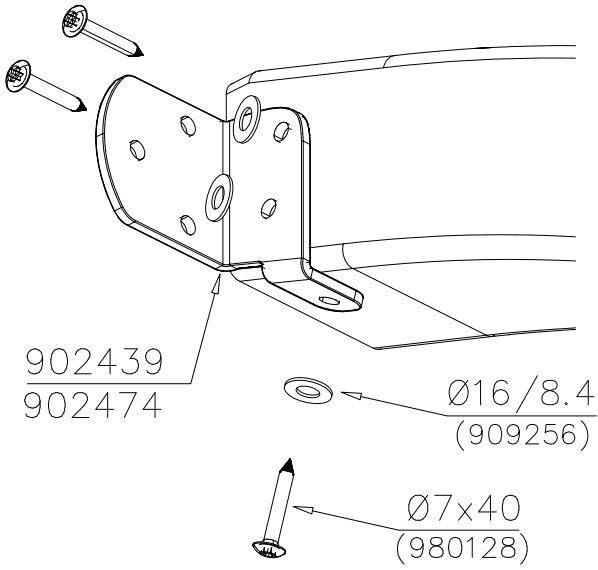
NET OPTIONS

| | | |
|--------------|------------|--------|
| 1455x505 | 706873-301 | BLUE |
| | 706873-302 | RED |
| | 706873-303 | BEIGE |
| | 706873-304 | GRAY |
| | 706873-305 | BLACK |
| | 706873-306 | YELLOW |

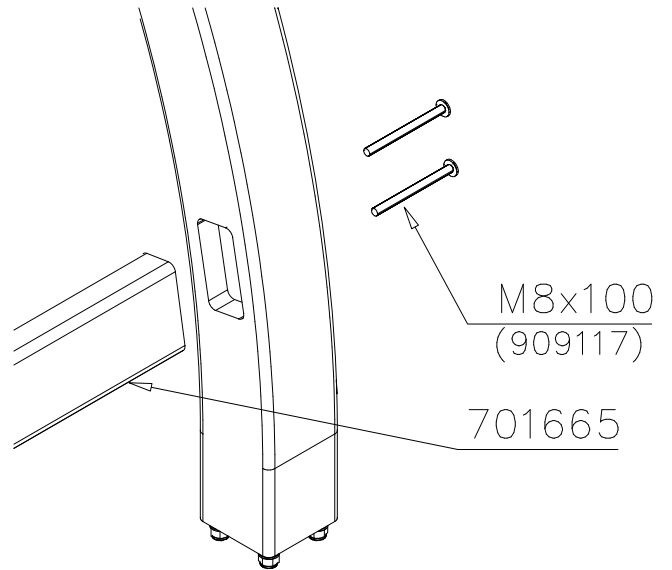
BOOM OPTIONS

| | | | |
|------------------|--|------------------|--|
| 95x1005x1365 | 706871-602 DARK BROWN 706871-603 LIGHT BROWN 706871-604 LIGHT GRAY | 95x1005x1365 | 706872-602 DARK BROWN 706872-603 LIGHT BROWN 706872-604 LIGHT GRAY |
|------------------|--|------------------|--|

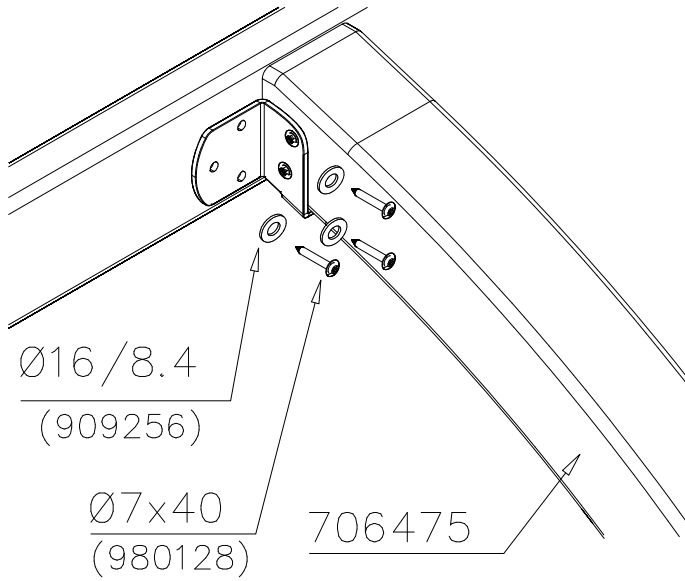
DET 1



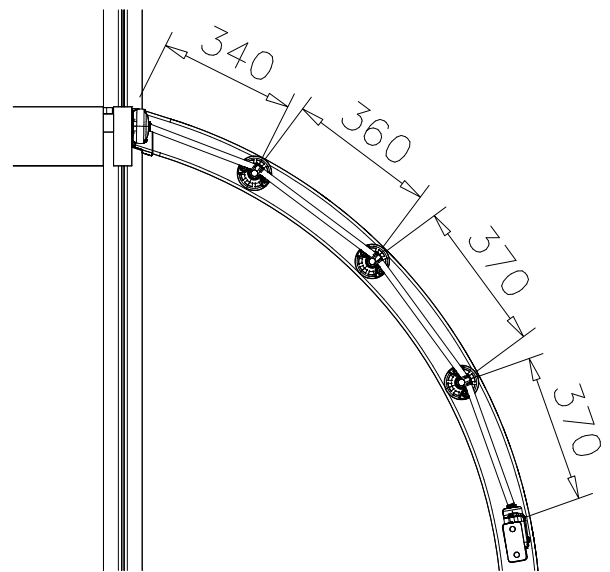
DET 2



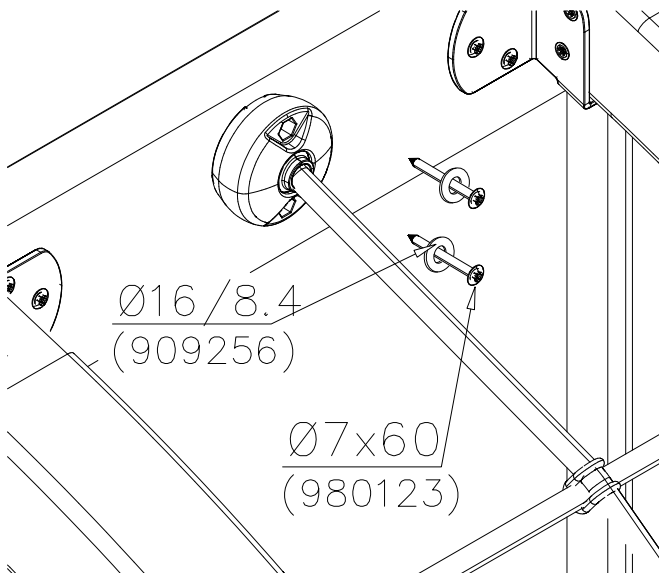
DET 3



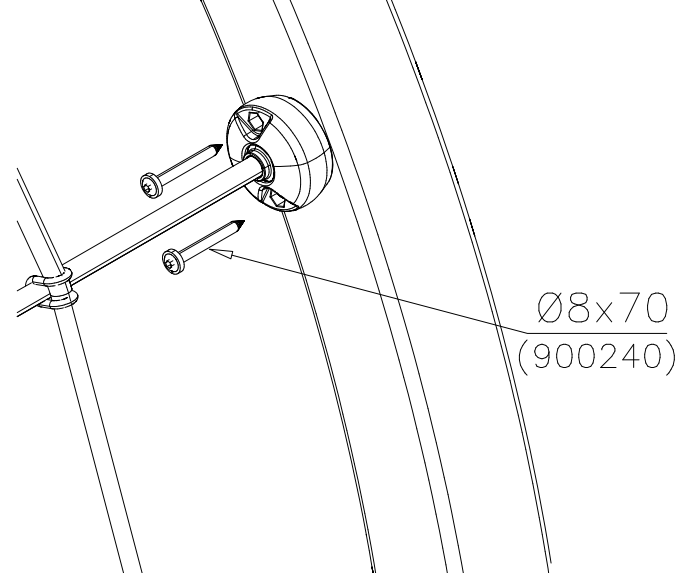
DET 4



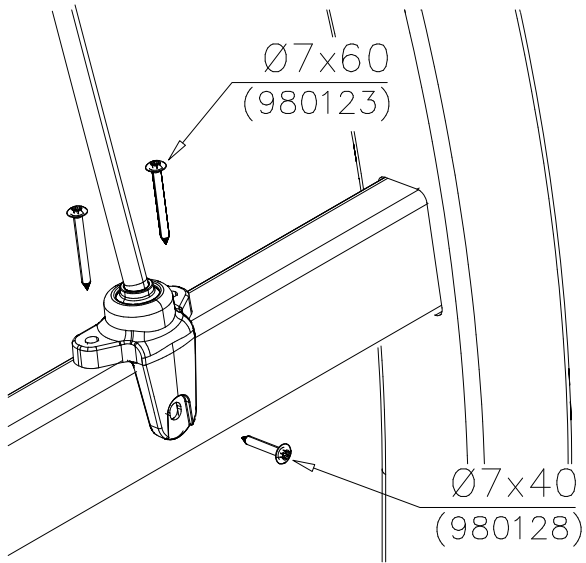
DET 5



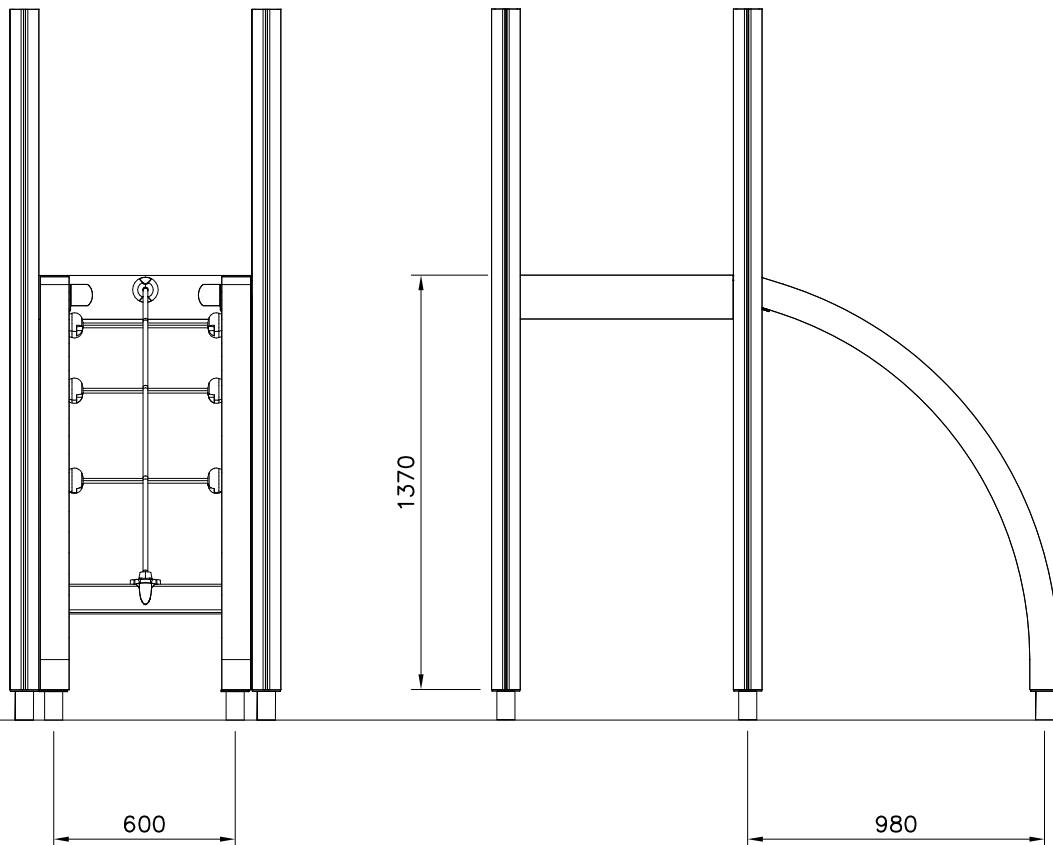
DET 6



DET 7



DET 8





| | | | |
|-------------|-----|------------|-----|
| ① 706727 | PCS | ② 706744 | PCS |
| | 1 | | 1 |
| 10x702x640 | | 15x145x380 | |
| ③ 901570 | PCS | ④ 903176 | PCS |
| | 4 | | 4 |
| 36x55x55 | | | |
| ⑤ 909855 | PCS | ⑥ 909850 | PCS |
| | 2 | | 8 |
| M8x35 | | M8x25 | |
| ⑦ 909256 | PCS | ⑧ 980150 | PCS |
| | 8 | | 6 |
| Ø16/8.4x1.6 | | M8 | |
| ⑨ 909633 | PCS | ⑩ 980123 | PCS |
| | 4 | | 4 |
| M8 | | Ø7x60 | |
| | | ⑪ 905112 | PCS |
| | | | 4 |
| | | Ø22 | |



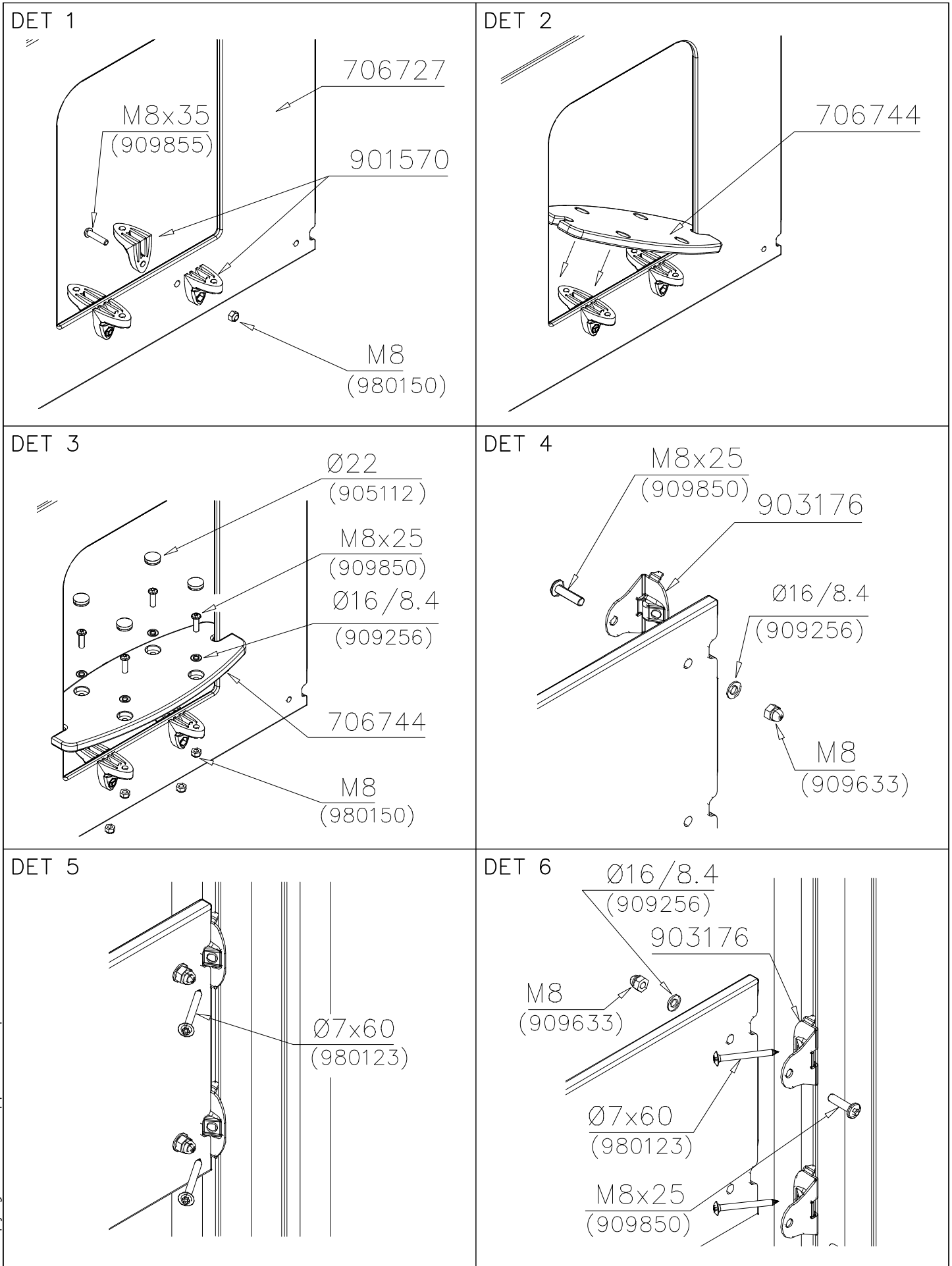
WALL OPTIONS

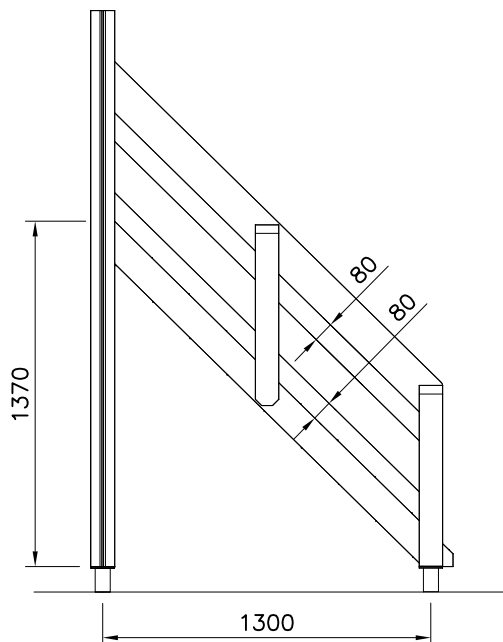
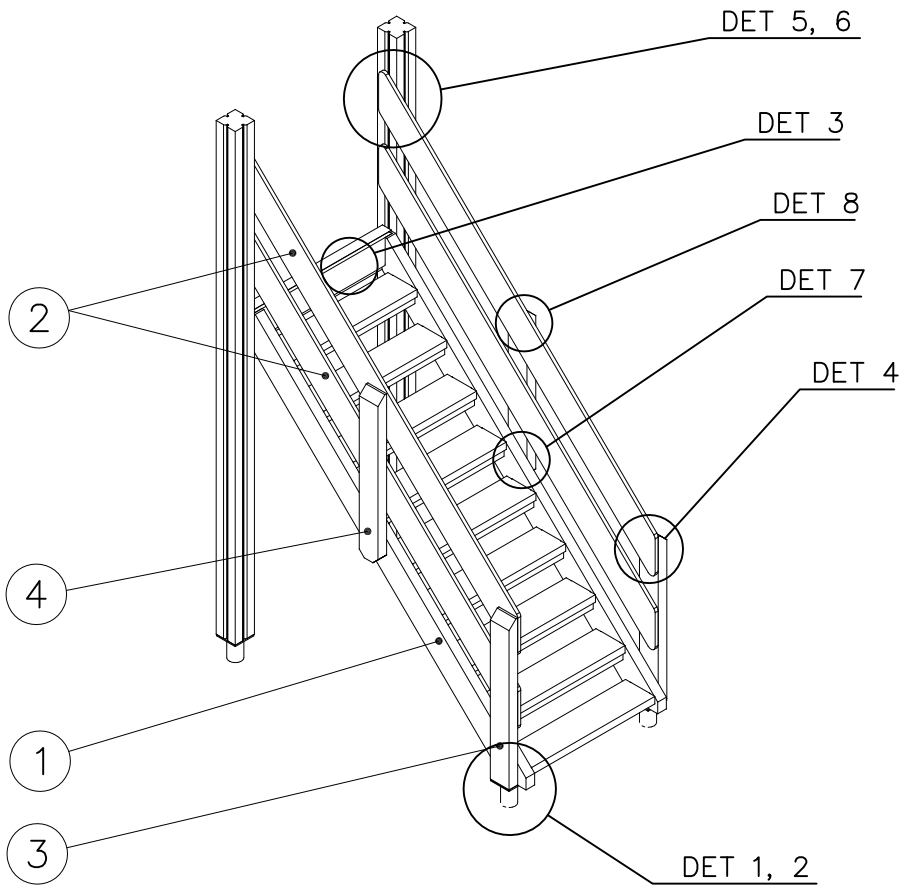
| | | |
|--------|------------|------------|
| 706727 | 706727-701 | BLUE |
| | 706727-702 | YELLOW |
| | 706727-703 | LIME |
| | 706727-704 | DARK GRAY |
| | 706727-705 | LIGHT GRAY |
| | 706727-706 | RED |
| | 706727-707 | GREEN |
| | 706727-708 | FUXIA |

WALL OPTIONS

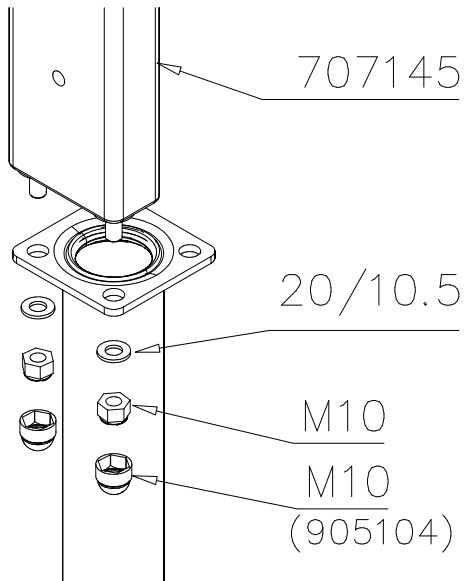
| | | |
|--------|--------|-----------|
| 706744 | 706744 | DARK GRAY |
|--------|--------|-----------|

15x145x380





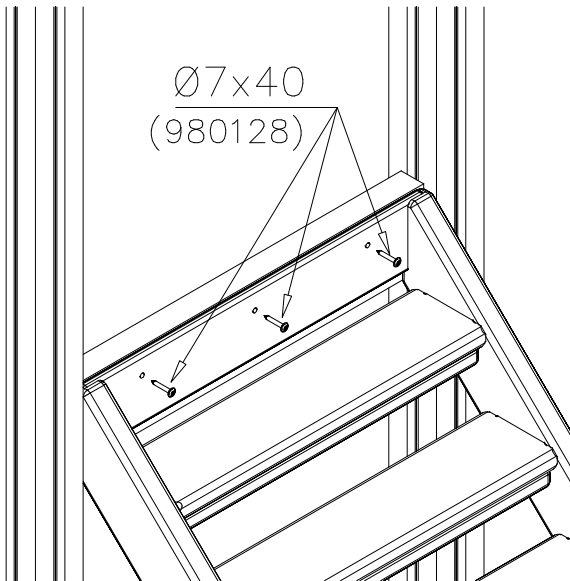
DET 1



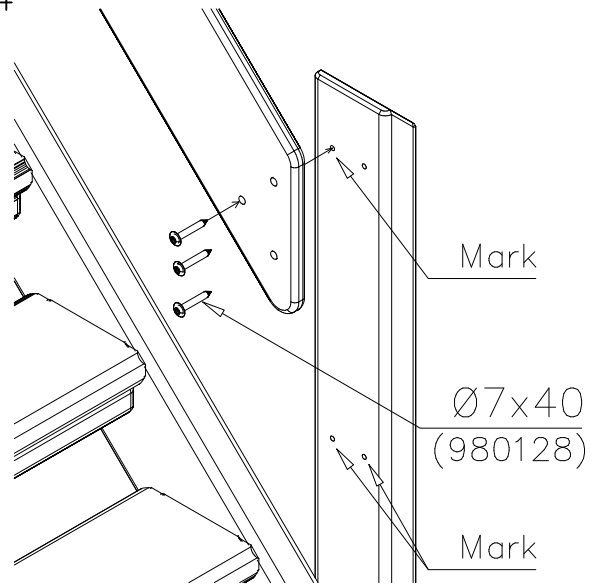
DET 2



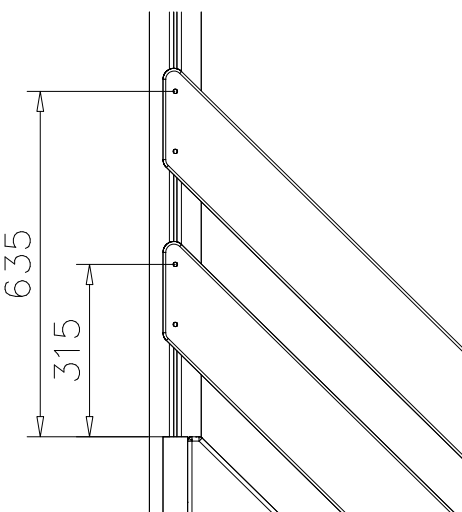
DET 3



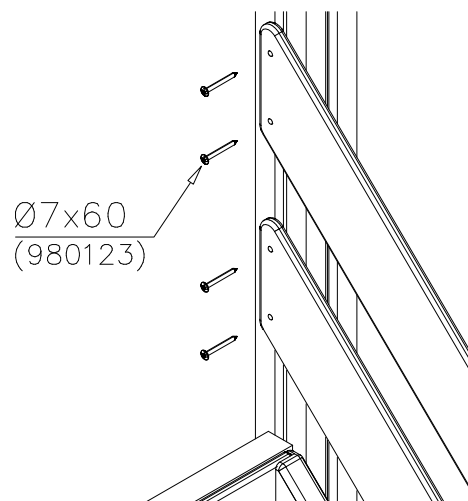
DET 4

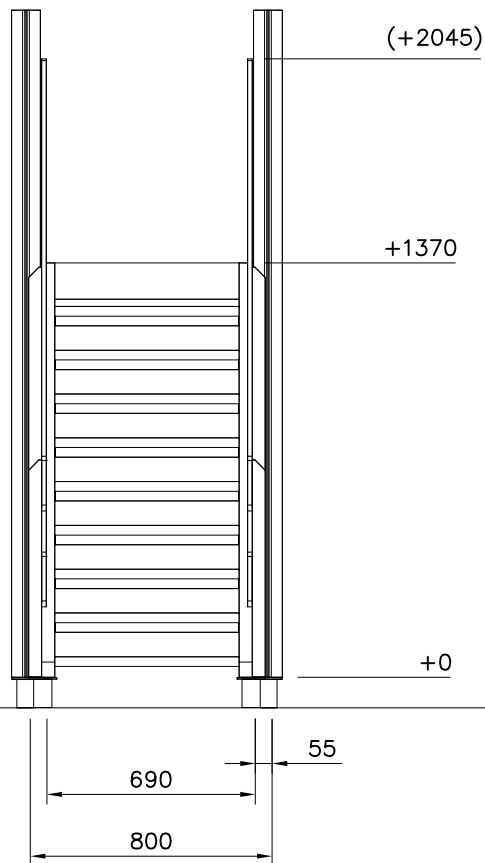
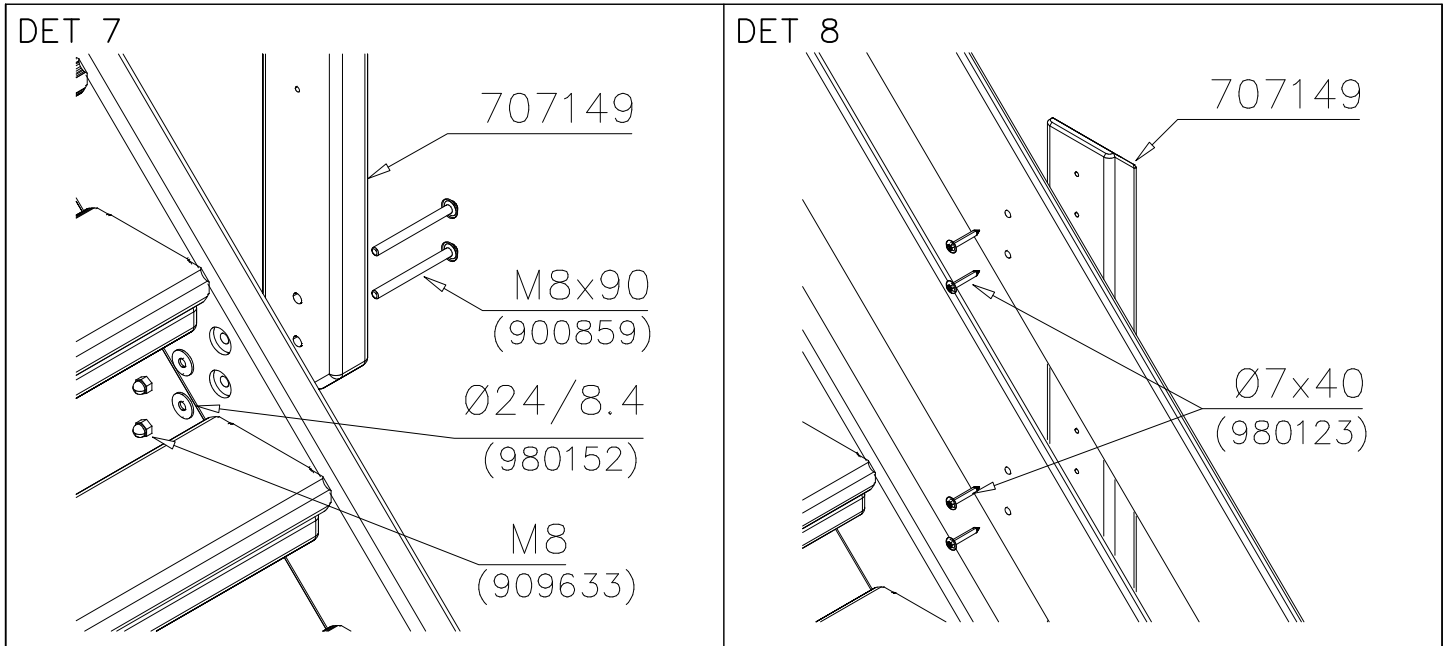


DET 5




DET 6







STAIRS OPTIONS +1470


| | |
|---|---|
| <p>707192</p>  | <p>707192-602 DARK BROWN 707192-603 LIGHT BROWN 707192-604 LIGHT GRAY</p> |
|---|---|

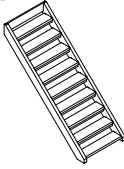



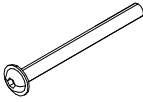
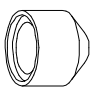
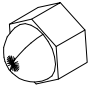



RAILING OPTIONS

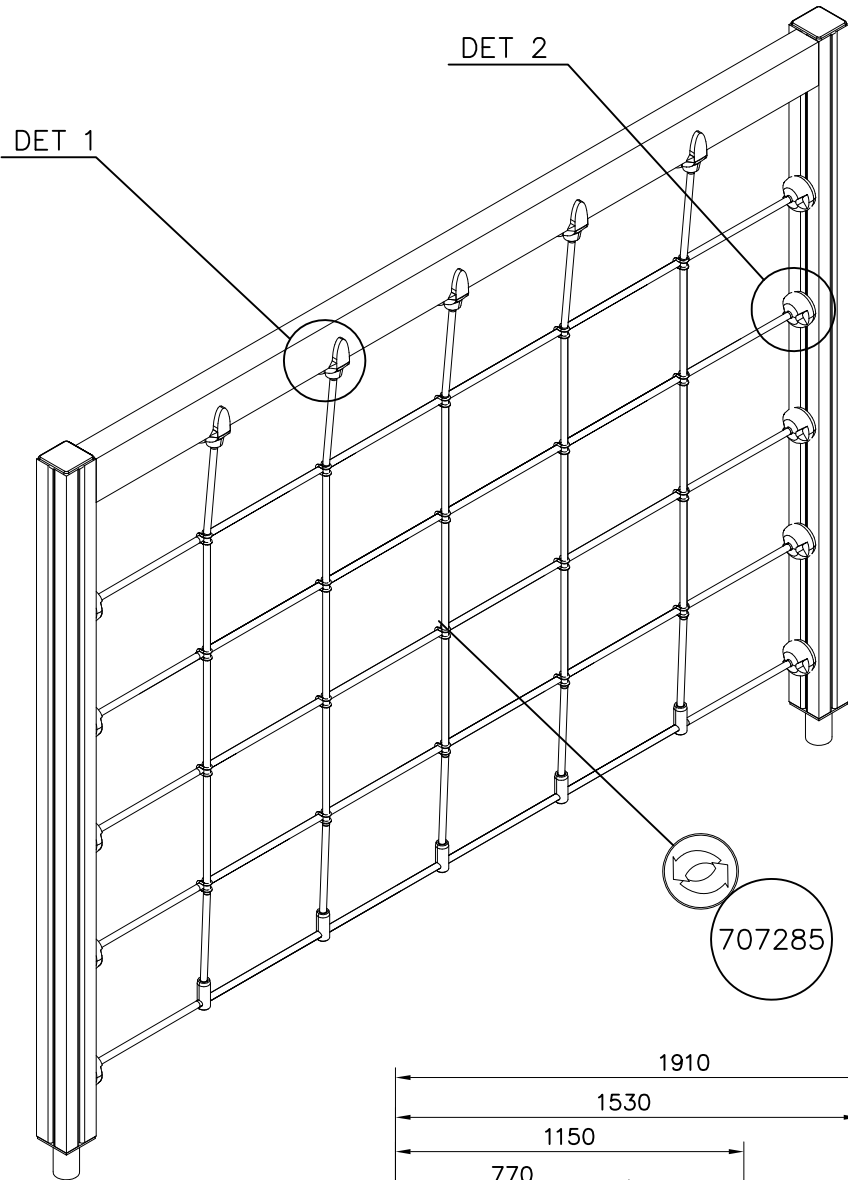
| | | |
|--|--|--|
| <p>RAILS 707152</p>  <p>15x145x2009</p> | <p>707152-701 BLUE 707152-702 YELLOW 707152-703 LIME 707152-704 DARK GRAY 707152-705 LIGHT GRAY 707152-706 RED</p> | <p>707152-707 GREEN 707152-708 FUXIA</p> |
|--|--|--|

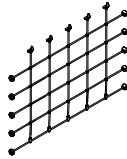



| | |
|--|---|
| <p>POST 707145</p>  <p>43x93x717</p> | <p>707145-602 DARK BROWN 707145-603 LIGHT BROWN 707145-604 LIGHT GRAY</p> |
|--|---|

POST OPTIONS

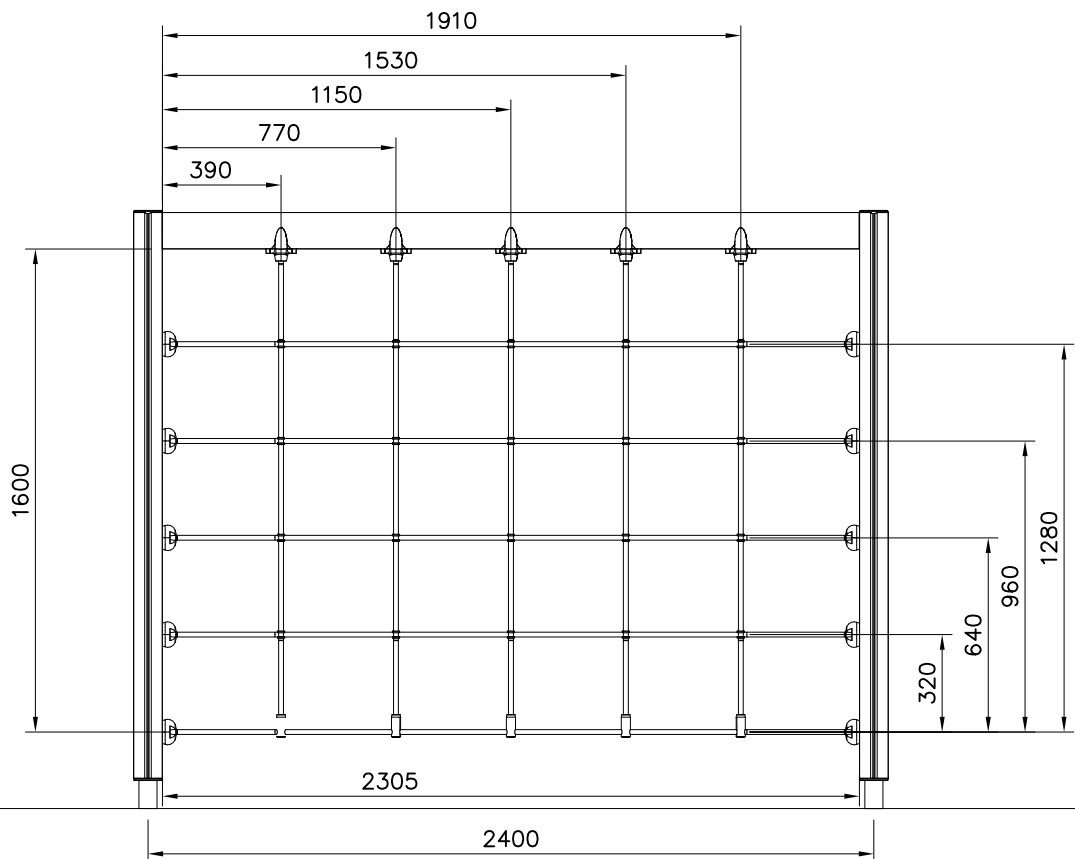
| | |
|---|---|
| <p>POST 707149</p>  <p>43x93x717</p> | <p>707149-602 DARK BROWN 707149-603 LIGHT BROWN 707149-604 LIGHT GRAY</p> |
|---|---|

| | | | | | | | | | | | | | | | | | |
|---|--------|-----|---|--------|-----|---|--------|-----|--|--------|-----|---|--------|-----|---|--------|-----|
| ① | 707192 | PCS | ② | 707152 | PCS | ③ | 707145 | PCS | ④ | 707149 | PCS | ⑤ | 900859 | PCS | ⑥ | 905104 | PCS |
|  | | 1 |  | | 4 |  | | 2 |  | | 2 |  | | 6 |  | | 4 |
| +1470 | | | 15x145x2009 | | | 43x93x717 | | | 43x93x717 | | | M8x90 | | | M10 | | |
| ⑦ | 909633 | PCS | ⑧ | 980123 | PCS | ⑨ | 980128 | PCS | ⑩ | 980152 | PCS | | PCS | | | | PCS |
|  | | 6 |  | | 8 |  | | 23 |  | | 6 | | | | | | |
| M8 | | | Ø7x60 | | | Ø7x40 | | | Ø24/8.4x2 | | | | | | | | |



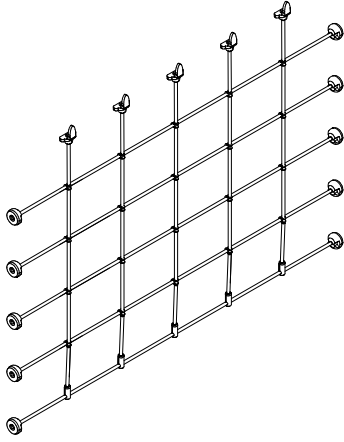
| | | | |
|---|-----|---|-----|
| ① 707285 | PCS | ② 900240 | PCS |
|  | 1 |  | 20 |
| 1600x2305 | | Ø8x70 | |
| ③ 980128 | PCS | ④ 980123 | PCS |
|  | 5 |  | 10 |
| Ø7x40 | | Ø7x60 | |
| | PCS | | PCS |
| | | | |
| | PCS | | PCS |
| | | | |

1:25



NET OPTIONS

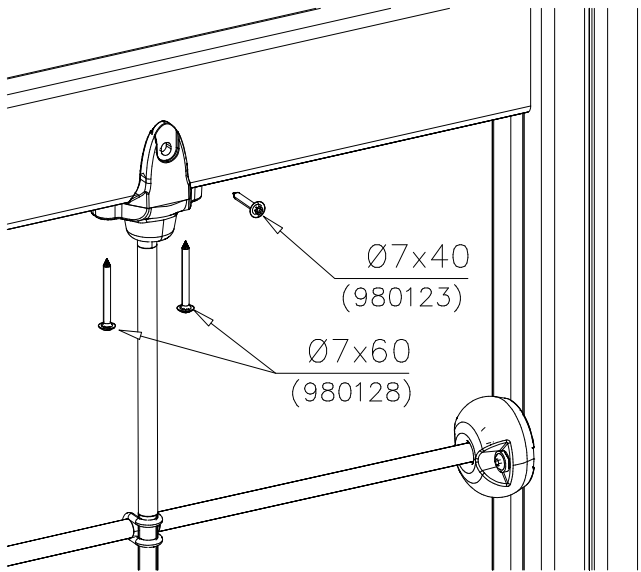
707285



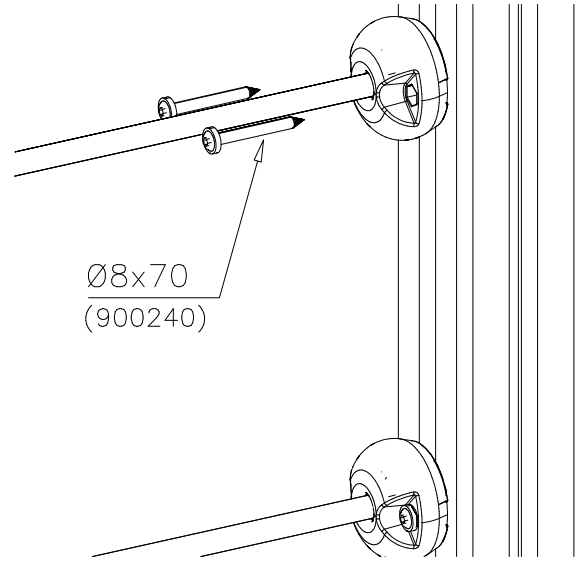
1600x2305

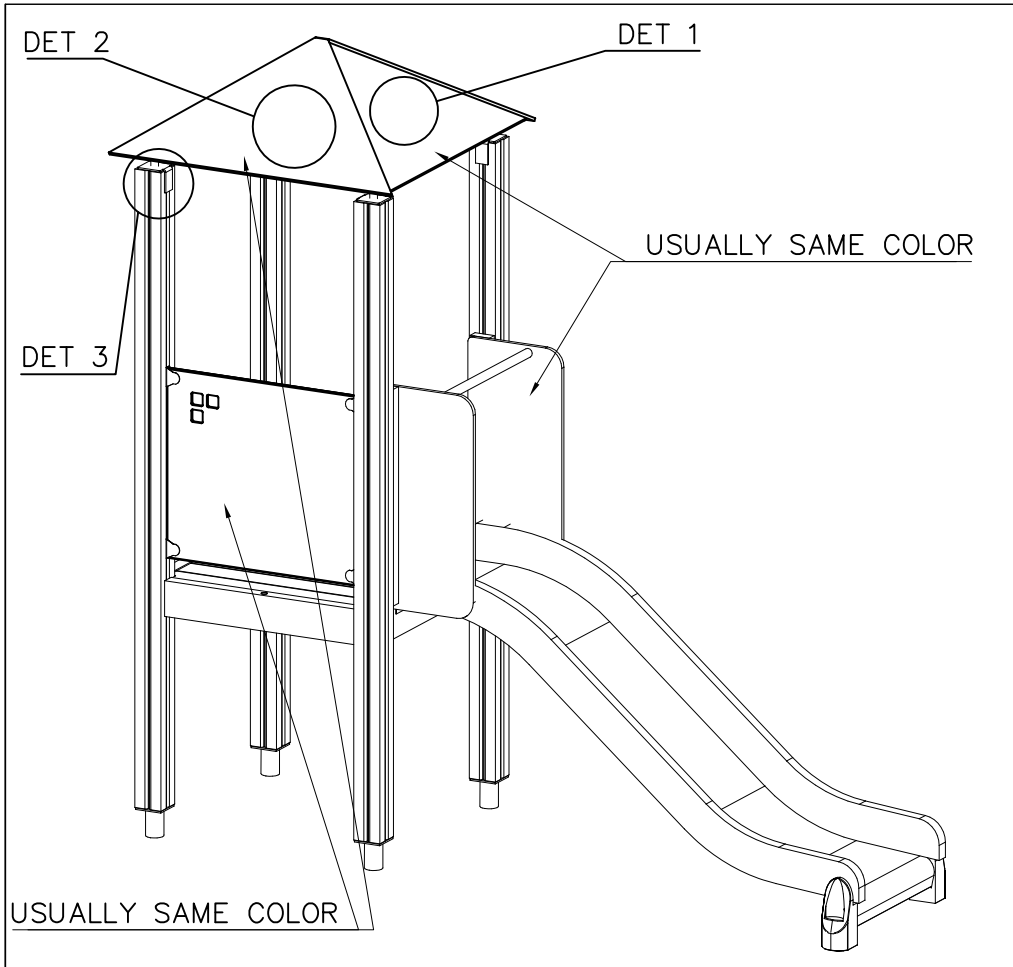
- | | |
|------------|--------|
| 707285-301 | BLUE |
| 707285-302 | RED |
| 707285-303 | BEIGE |
| 707285-304 | GREY |
| 707285-305 | BLACK |
| 707285-306 | YELLOW |

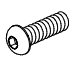


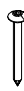
DET 1

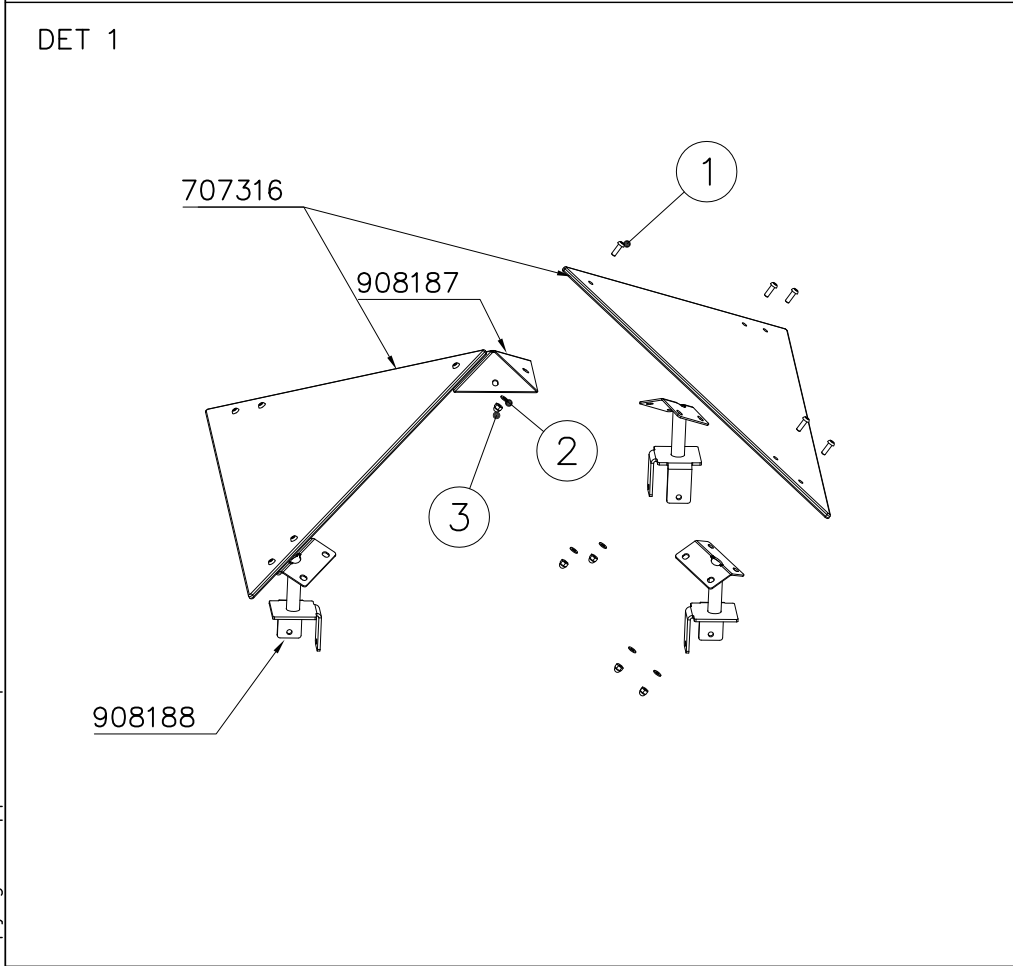


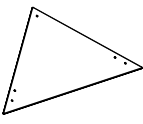
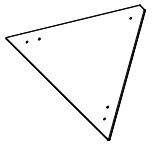
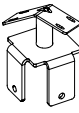
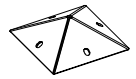
DET 2



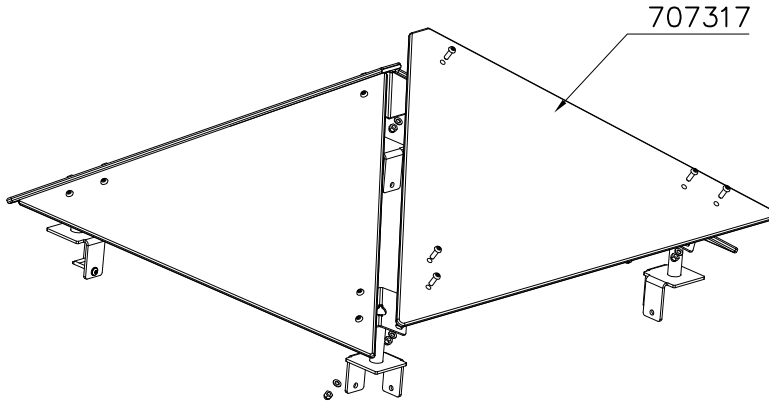


| | | | |
|---|-----------|---|-----------|
| ① 909850 | PCS 20 | ② 909256 | PCS 28 |
|  | |  | |
| M8x25 | | Ø16/8.4 | |
| ③ 909633 | PCS 20 | ④ 980123 | PCS 8 |
|  | |  | |
| M8 | | Ø7x60 | |
| | PCS | | PCS |
| | | | |
| | PCS | | PCS |
| | | | |



| | | | |
|---|----------|---|----------|
| | PCS | | PCS |
| ○ 707316 | PCS 2 | ○ 707317 | PCS 2 |
|  | |  | |
| ○ 908188 | PCS 4 | ○ 908187 | PCS 1 |
|  | |  | |
| | PCS | | PCS |
| | | | |

DET 2



DET 3

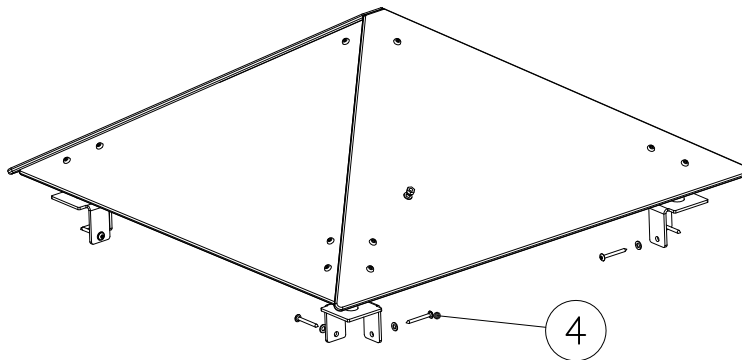
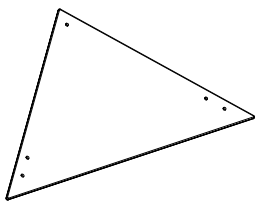


PLATE COLOR OPTIONS

707316

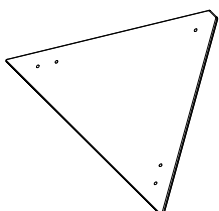


10x572x949

- 701 BLUE
- 702 YELLOW
- 703 LIME
- 704 DARK GRAY
- 705 LIGHT GRAY
- 706 RED
- 707 GREEN
- 708 FUXIA

IF PRODUCT HAS A SLIDE,
THEN THE SAME COLOR AS
START-OFF PLATES

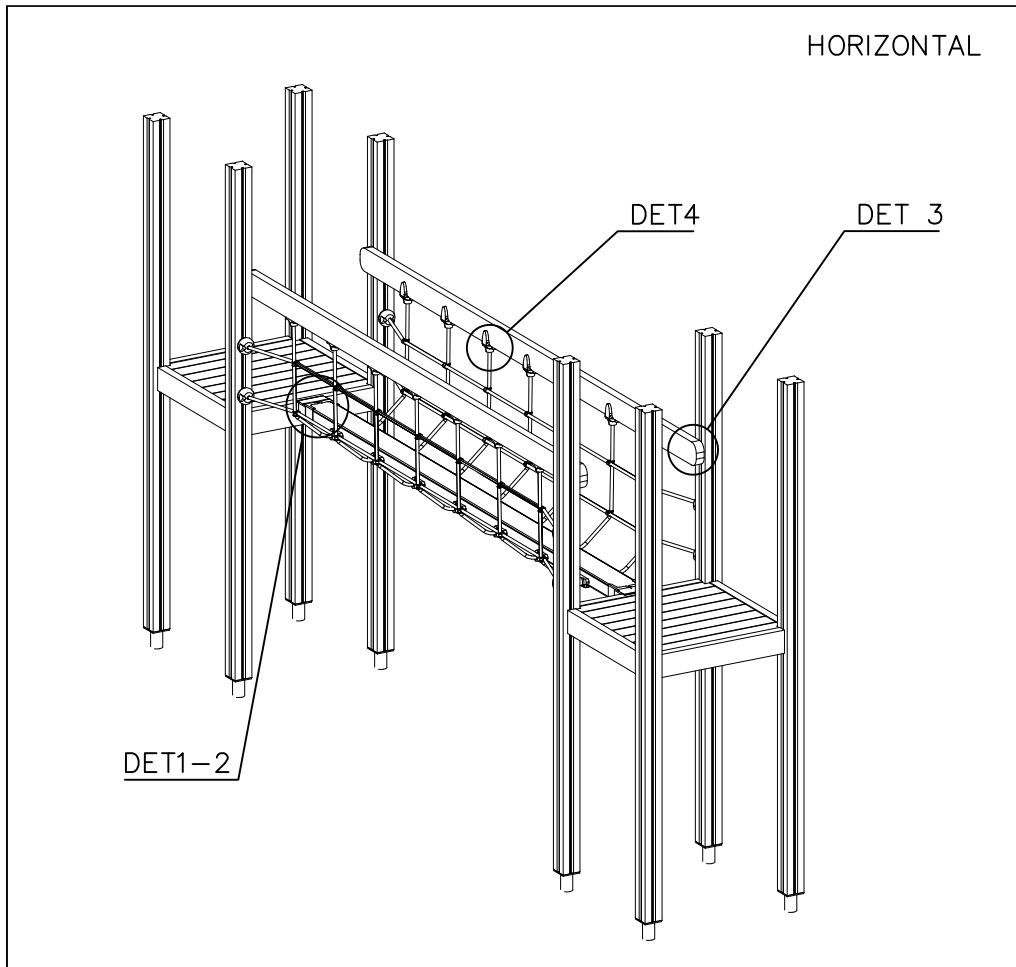
707317




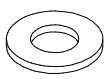
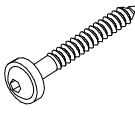
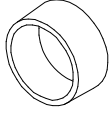
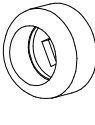


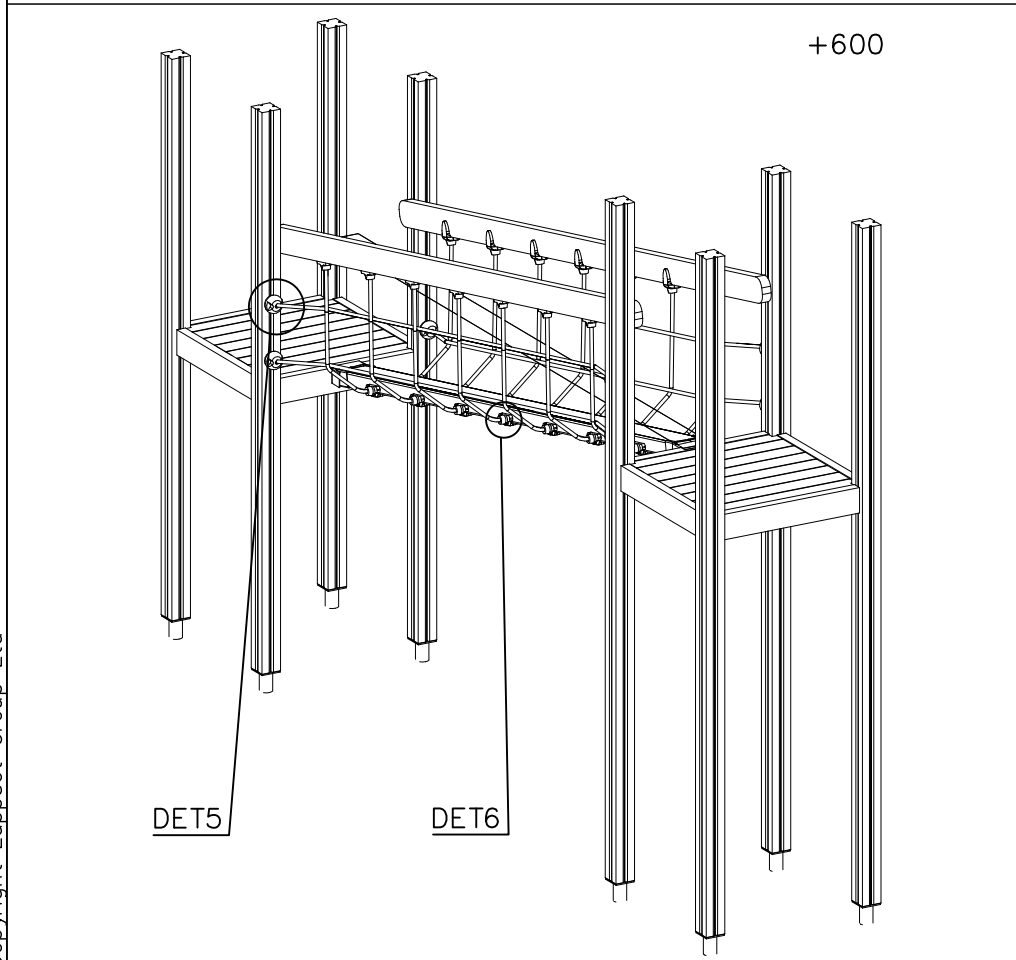
10x591x1013


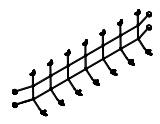

- 701 BLUE
- 702 YELLOW
- 703 LIME
- 704 DARK GRAY
- 705 LIGHT GRAY
- 706 RED
- 707 GREEN
- 708 FUXIA

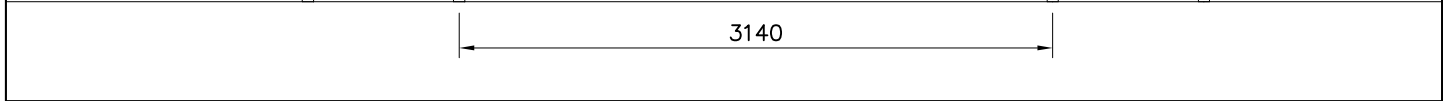
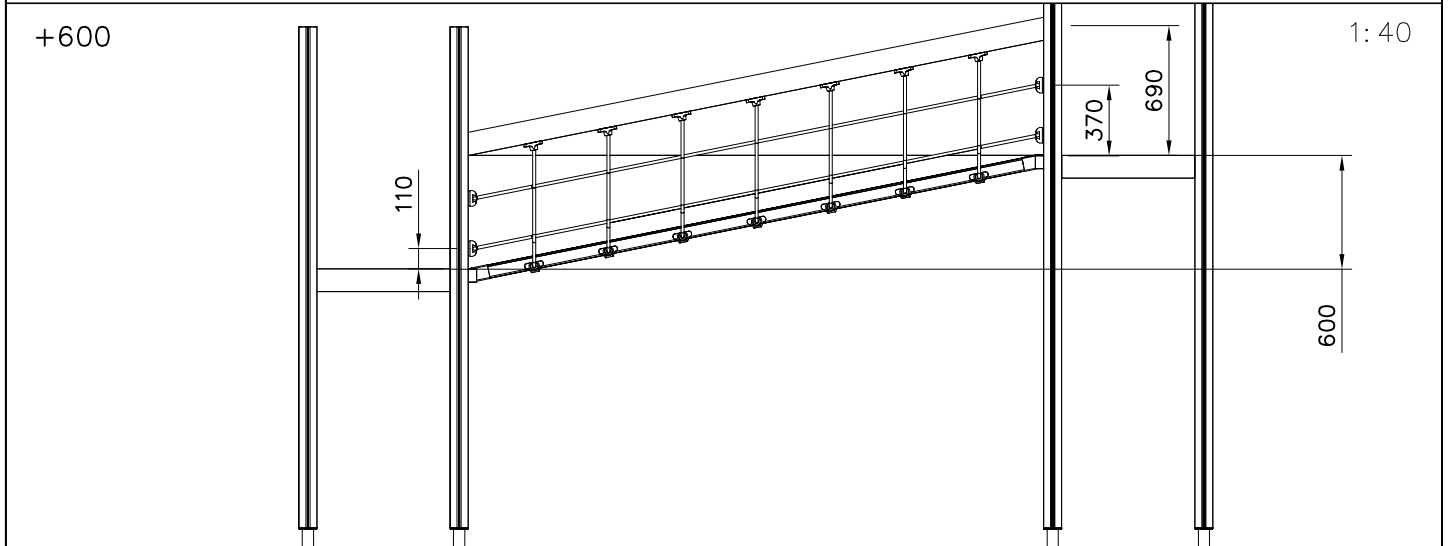
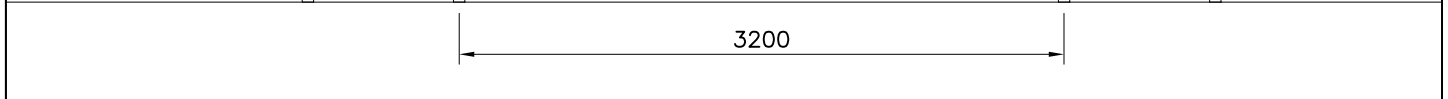
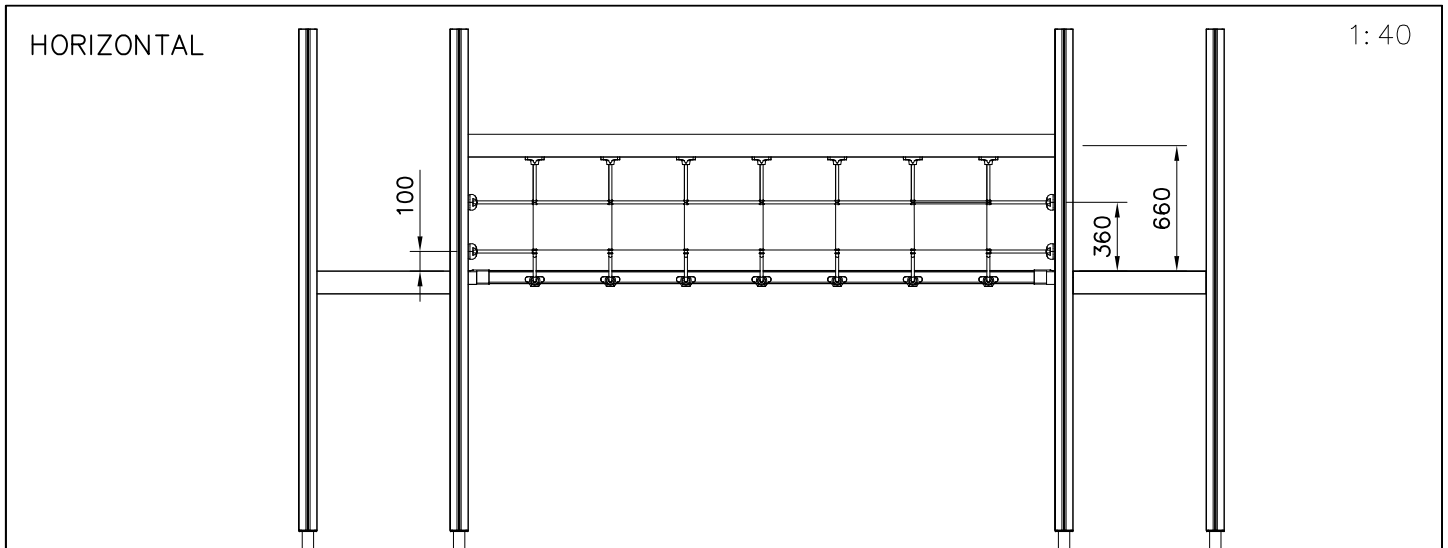
IF PRODUCT HAS A WALLS,
THEN THE SAME COLOR AS
WALL PLATES



| | | | | | |
|---|---|-----|---|---|-----|
| ① | 980123 | PCS | ② | 909232 | PCS |
| |  | 56 | |  | 4 |
| | Ø7x60 | | | 8x120 | |
| ③ | 980128 | PCS | ④ | 980151 | PCS |
| |  | 36 | |  | 4 |
| | Ø7x40 | | | Ø16/8.4 | |
| ⑤ | 900240 | PCS | ⑥ | 905112 | PCS |
| |  | 16 | |  | 8 |
| | 8x70 | | | Ø22 | |
| ⑦ | 905083 | PCS | | | PCS |
| |  | 4 | | | |
| | Ø32 | | | | |

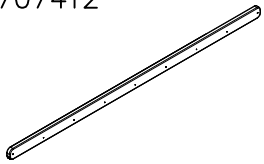


| | | | | | |
|---|---|-----|---|---|-----|
| | | PCS | | | PCS |
| | | | | | |
| | | | | | |
| | | | | | |
| | | | | | |
| ○ | 707412 | PCS | ○ | 707413 | PCS |
| |  | 2 | |  | 2 |
| | 45x120x3280 | | | 3140x800 | |
| ○ | 707415 | PCS | | | PCS |
| |  | 1 | | | |
| | | | | | |



BOOM OPTIONS

707412



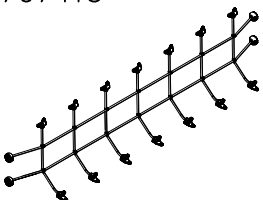
45x120x3280

- 602 DARK BROWN
- 603 LIGHT BROWN
- 604 LIGHT GRAY
- 605 DARK GRAY
- 606 GRAY
- 607 RED

- 608 BLUE
- 609 GREEN
- 610 YELLOW
- 611 LIME
- 612 FUXIA

NET OPTIONS

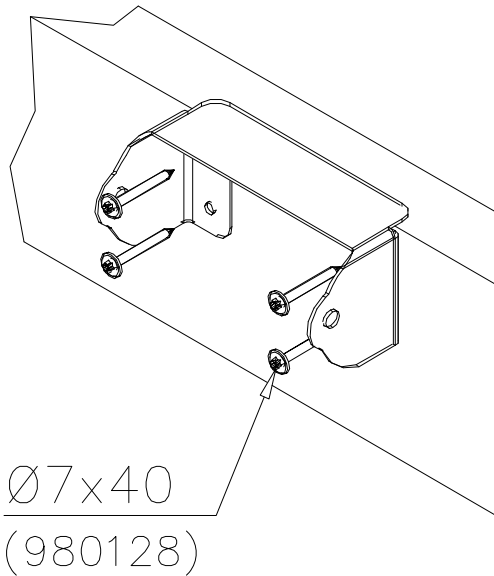
707413



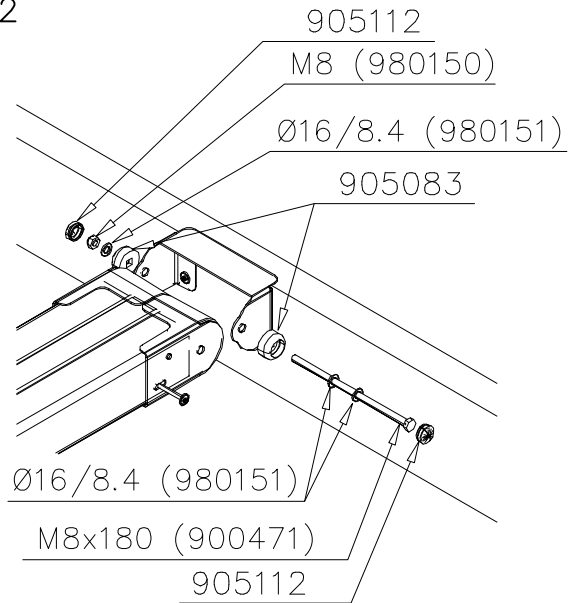
3140x800

- 301 BLUE
- 302 RED
- 303 BEIGE
- 304 GRAY
- 305 BLACK
- 306 YELLOW

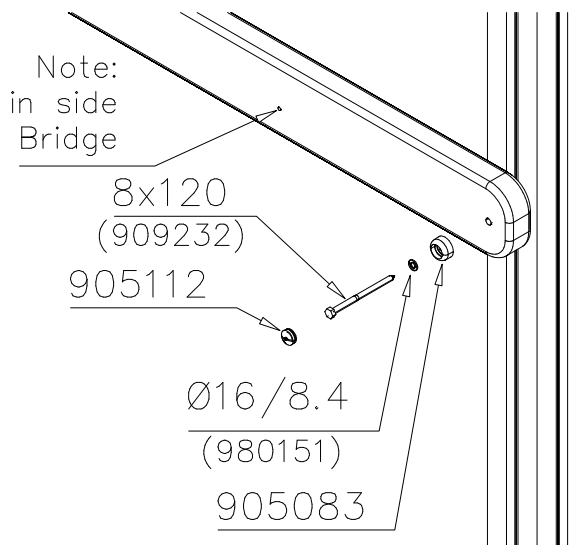
DET 1



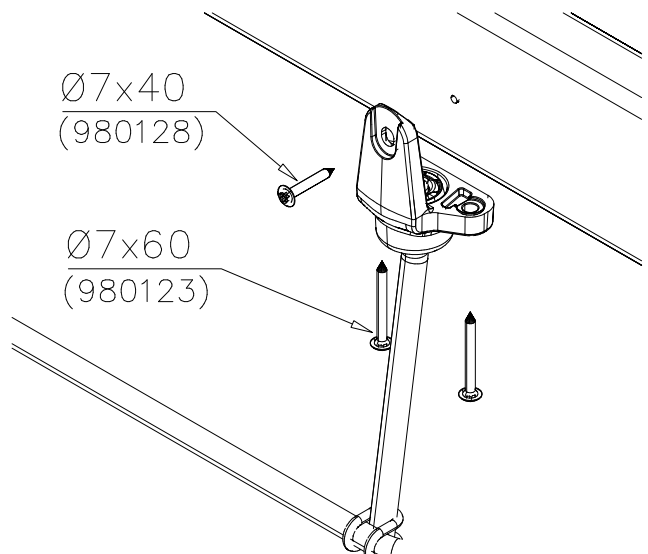
DET 2



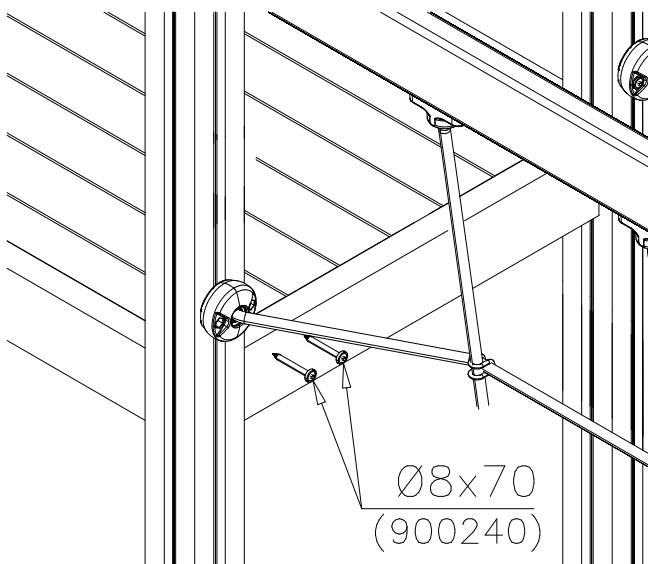
DET 3



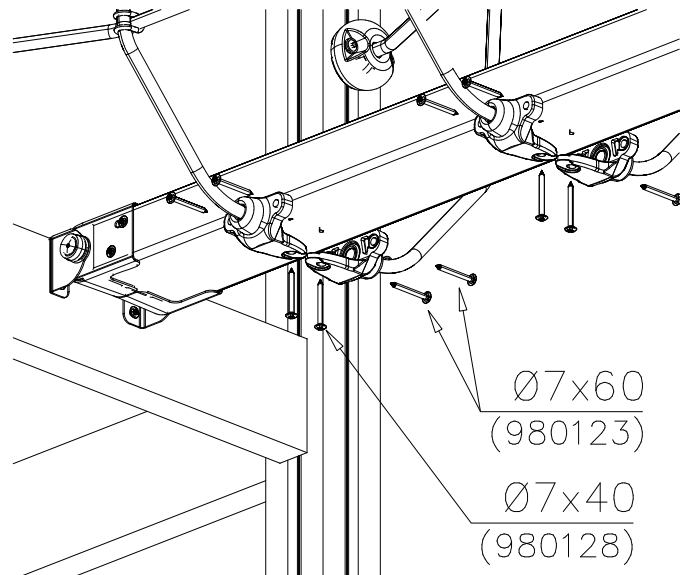
DET 4



DET 5



DET 6



**Tuotekyltti tulee tuotteen mukana yhdellä seuraavista tavoista:****1) Metallinen tuotekyltti ja kiinnitysruuvit**

- Kiinnitä tuotekyltti ruuveilla tolppaan noin 2 metrin korkeuteen kuvan 1 mukaisesti.

2) Tuotekylttitarra

- Puhdista maalattu metalli- tai vaneripinta pölystä ja kosteudesta. Liimaa tarra kuvan 2 mukaisesti.
- Huom. Älä kiinnitä tarraa karheapintaiseen laminaattiin tai maalattuun puuhun.

Vår produktmärkning levereras på ett av följande sätt:**1) Produktskylt i metall**

- Fäst skylten med de medföljande skruvarna

2) Självhäftande produktetikett

- Rengör den pulverlackerade metallytan eller laminatyten så att den blir fri från smuts och fukt. Fäst etiketten enligt fig. 2.
- Obs! Fäst ej etiketten på detaljer med skrovlig yta eller på målat trä.

Product label is delivered by one of following ways:**1) Metal product label and screws**

- Fasten the label with screws.

2) Label sticker

- Clean the painted metal or plywood surface from dirt and moisture. Fasten the sticker as shown in the figure 2.
- Note. Do not attach the sticker to rough surfaced laminate or painted wood.

La plaque d'informations produit est livrée sous l'une de ces 3 formes :**1) Plaque métallique et vis**

- Fixez la plaque à l'aide des vis.

2) Etiquette autocollante

- Avant de coller l'étiquette, nettoyez le composant métallique peint ou la plaque de contreplaqué, de toute saleté. La surface doit être sèche (voir image 2).
- Attention, ne pas coller l'étiquette sur une surface lamellé-collée irrégulière ou sur du bois peint.

Die Auslieferung des Produktaufklebers erfolgt auf eine dieser Arten:**1) Produkt-Schild aus Metall incl. Schrauben**

- Die Befestigung des Schildes erfolgt mittels der Schrauben.

2) Aufkleber

- Entfernen Sie zunächst Schmutz und Feuchtigkeit vom lackierten Metall bzw. von der Holzoberfläche und bringen Sie den Aufkleber wie im Bild oben rechts beschrieben auf den gesäuberten Untergrund auf.
- Beachten Sie: Bringen Sie den Aufkleber nicht auf raues laminiertes oder lackiertes Holz an.



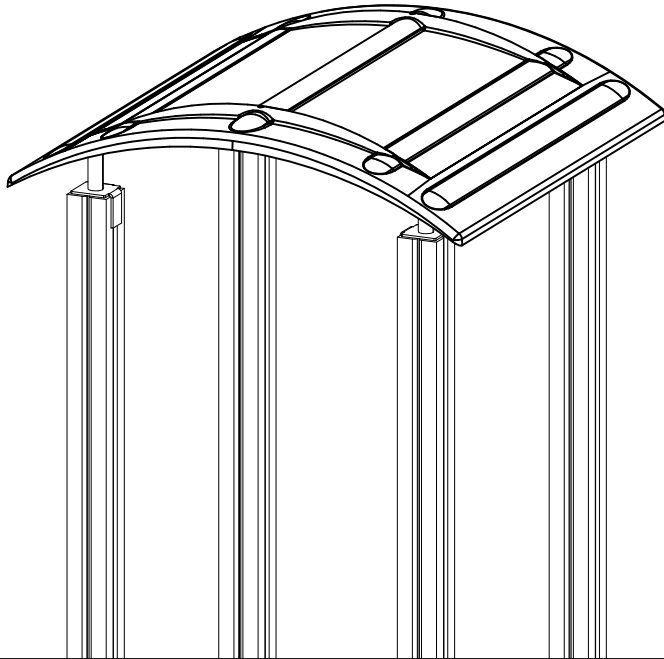
| | | | |
|---|-----|--|-----|
| ① 900240 | PCS | | PCS |
|  | 2 | | |
| Ø8x70 | | | |
| | PCS | | PCS |
| | | | |
| | PCS | | PCS |
| | | | |

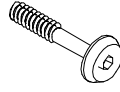



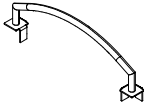



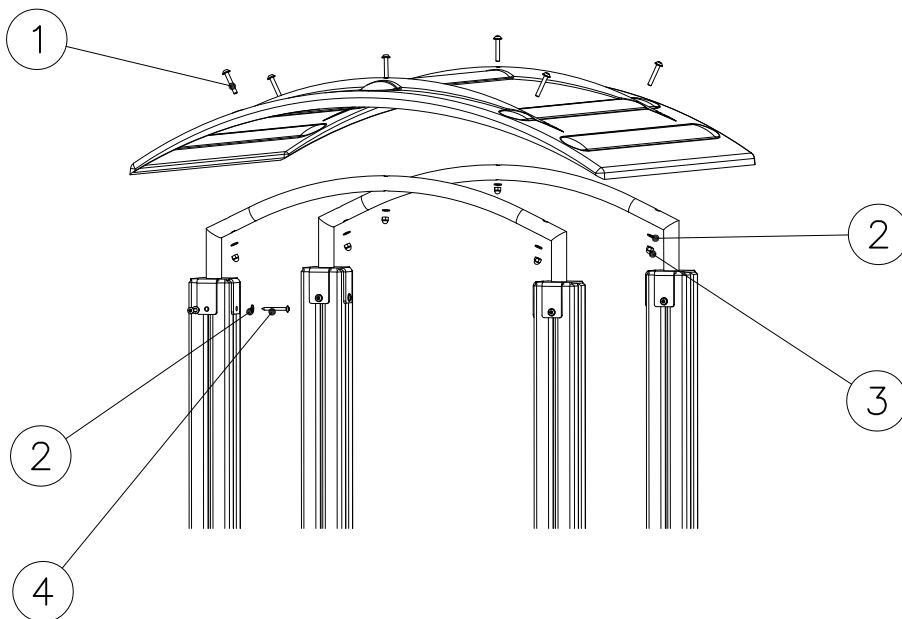
| | | | |
|---|-----|---|-----|
| ○ 707302 | PCS | ○ 707303 | PCS |
|  | 1 |  | 1 |
| ○ 707304 | PCS | ○ 707305 | PCS |
|  | 1 |  | 1 |
| | PCS | | PCS |
| | | | |

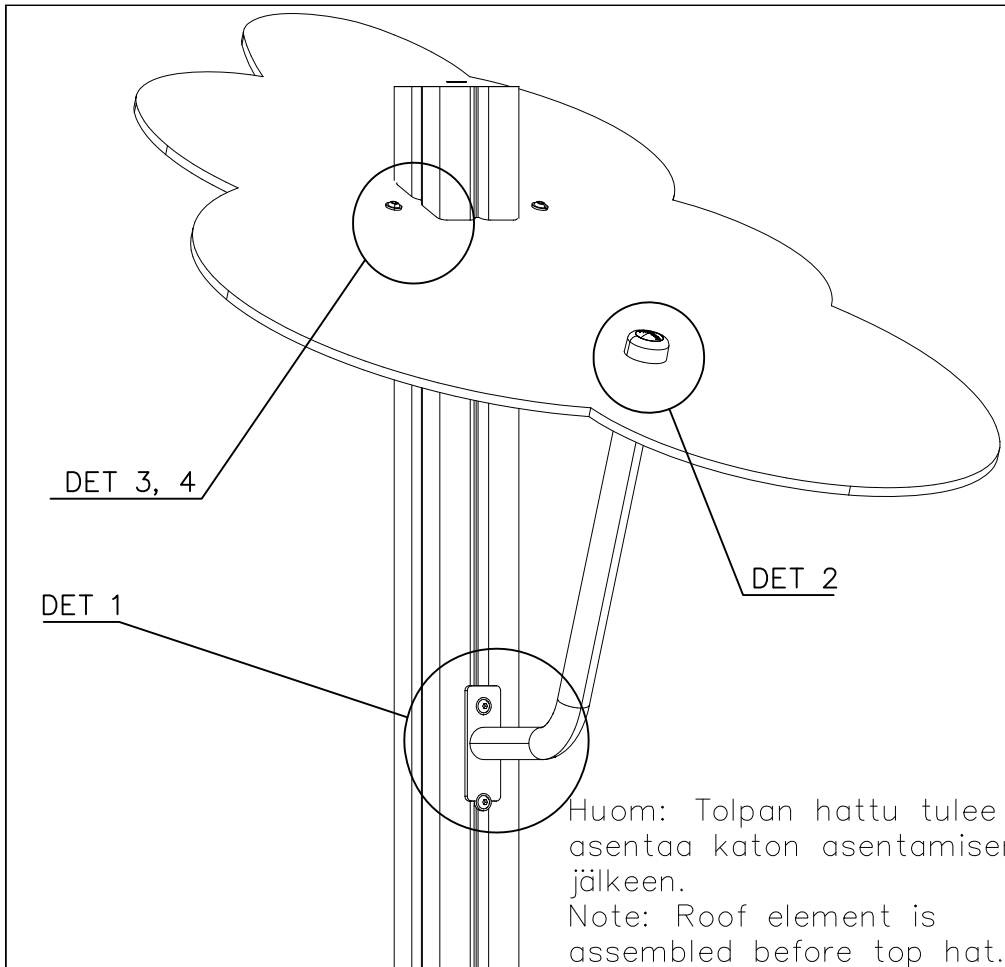


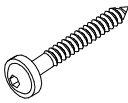
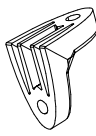


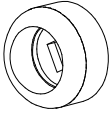
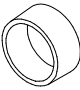
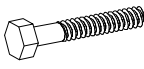
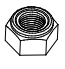
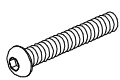
| | | | |
|--|-----|--|-----|
| | PCS | | PCS |
| | | | |
| | PCS | | PCS |
| | | | |



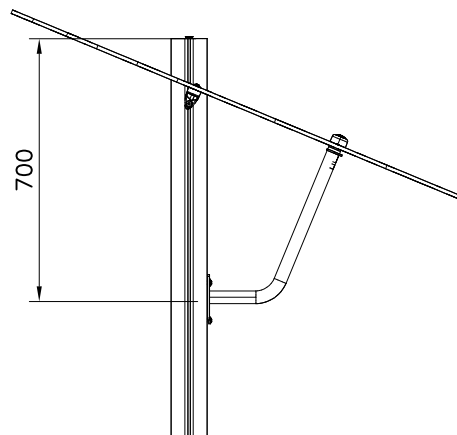
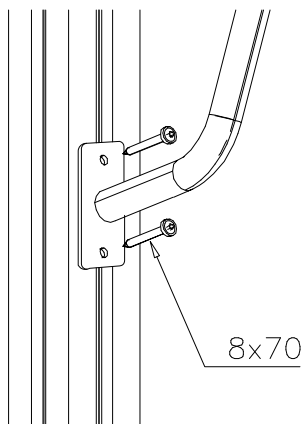
| | | | | | |
|---|---|-----|---|---|-----|
| ① | 909868 | PCS | ② | 909256 | PCS |
| | | 6 | | | 14 |
| |  | | |  | |
| | M8x50 | | | Ø16/8.4 | |
| ③ | 909633 | PCS | ④ | 980123 | PCS |
| | | 6 | | | 8 |
| |  | | |  | |
| | M8 | | | Ø7x60 | |
| | | PCS | | | PCS |
| | | | | | |
| | | PCS | | | PCS |
| | | | | | |
| ○ | 908330 | PCS | ○ | 908251 | PCS |
| | | 2 | | | 1 |
| |  | | |  | |
| | | | | 1100x1100x215 | |
| | | PCS | | | PCS |
| | | | | | |
| | | PCS | | | PCS |
| | | | | | |
| | | PCS | | | PCS |
| | | | | | |



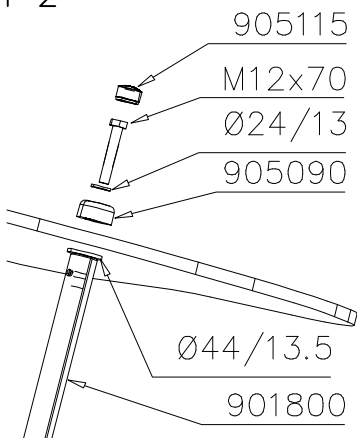


| | | | | | |
|---|--------|-----|---|----------|-----|
| ① | 900240 | PCS | ② | 901570 | PCS |
|  | Ø8x70 | 4 |  | 36x55x55 | 2 |
| ③ | 980154 | PCS | ④ | 905086 | PCS |
|  | Ø24/13 | 1 |  | Ø44/13,5 | 1 |
| ⑤ | 905090 | PCS | ⑥ | 905115 | PCS |
|  | Ø45 | 1 |  | Ø30 | 1 |
| ⑦ | 909142 | PCS | ⑧ | 980160 | PCS |
|  | M12x70 | 1 |  | M8 | 2 |
| ⑨ | 909852 | PCS | | | PCS |
|  | M8x30 | 2 | | | |
| | | PCS | | | PCS |

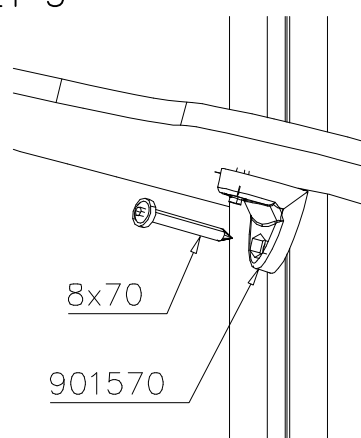
DET 1



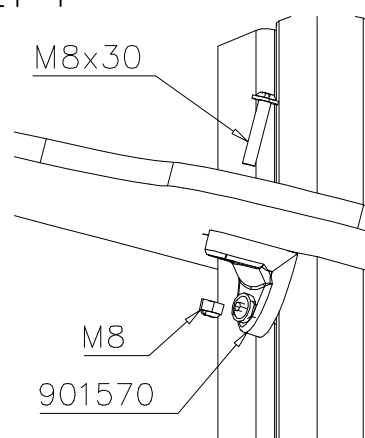
DET 2

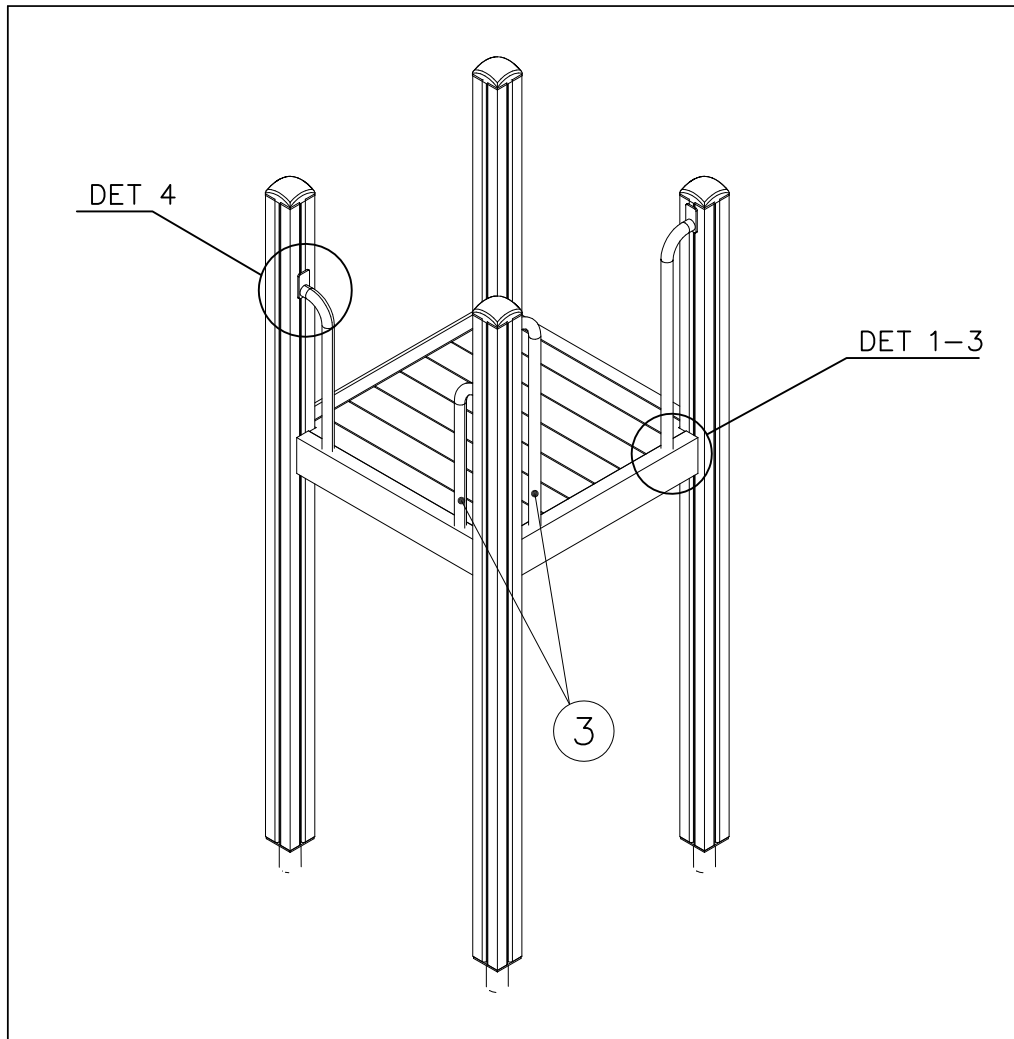


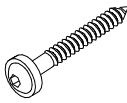



DET 3



DET 4





| | | | |
|---|-----|---|-----|
| ① 900240 | PCS | ② 900727 | PCS |
|  | 1 |  | 1 |
| Ø8x70 | | M10x80 | |
| | PCS | | PCS |
| | | | |
| | | | |
| ③ 907688 | PCS | ③ 907701 | PCS |
|  | 1 |  | 1 |
| 765 | | 545 | |
| | PCS | | PCS |
| | | | |
| | | | |
| | PCS | | PCS |
| | | | |
| | | | |
| | | | |
| | PCS | | PCS |
| | | | |
| | | | |
| | | | |
| | PCS | | PCS |
| | | | |
| | | | |

