

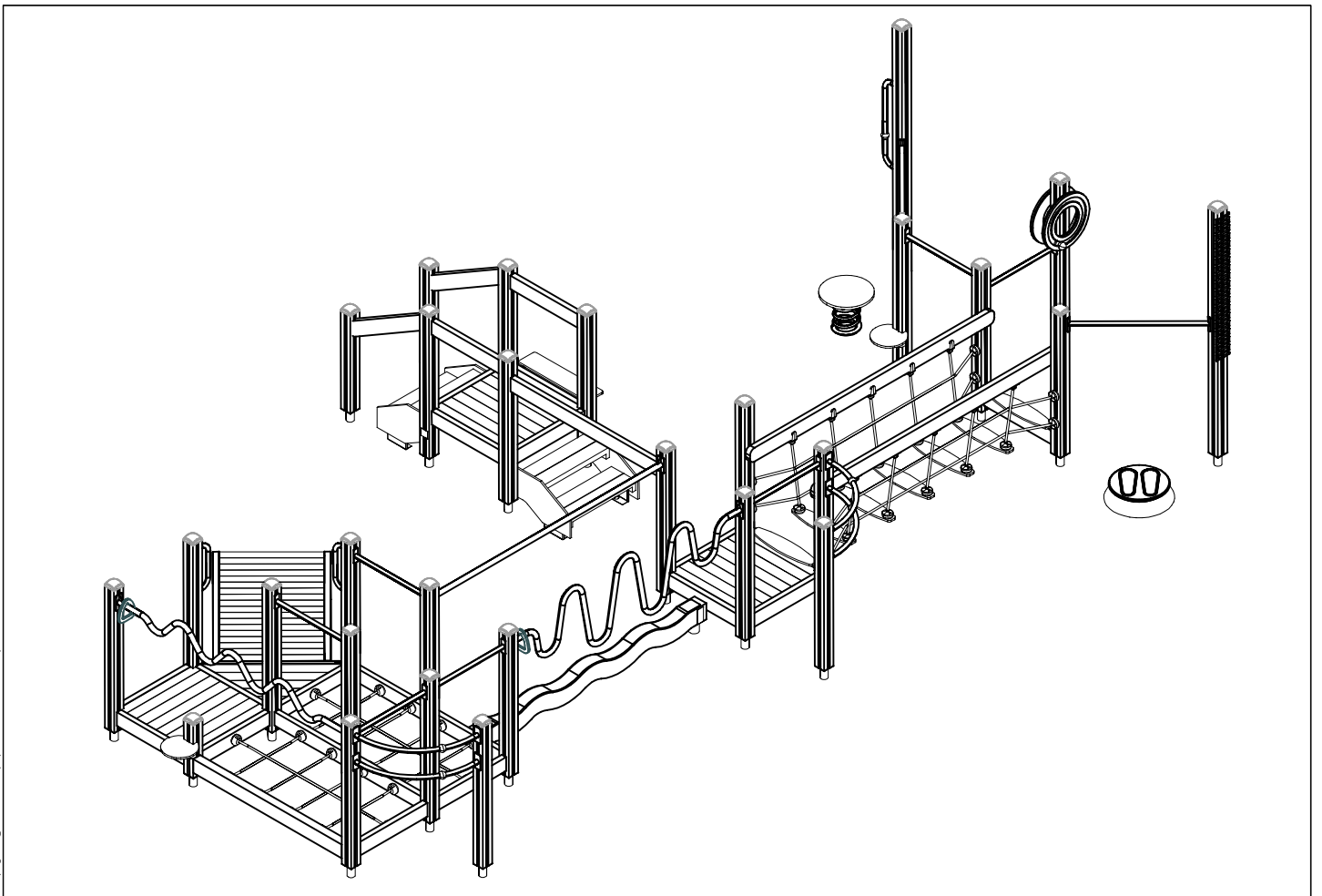
LAPPSET®

SENIOR

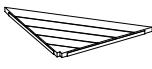
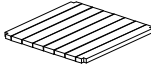

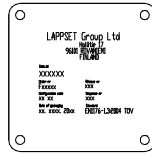
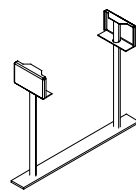

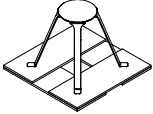

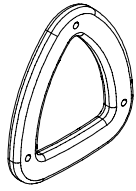

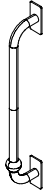


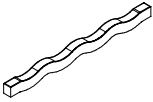
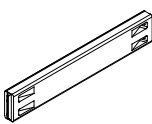
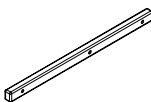
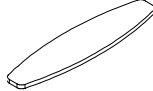


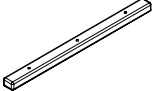
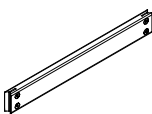
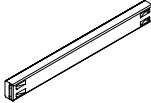

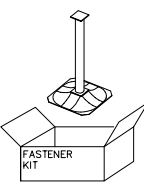
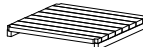
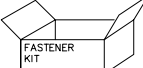

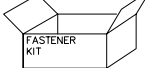
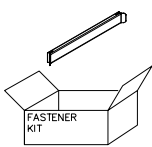
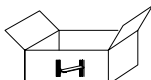
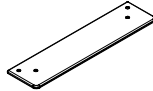
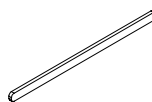
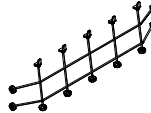
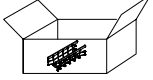


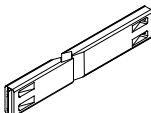
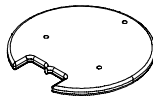
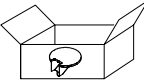
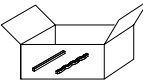
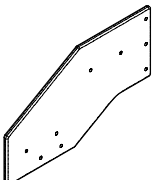
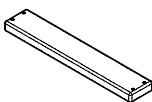
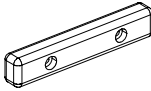
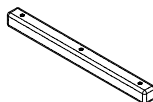
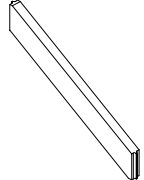


ASENNUSOHJE
MONTERINGSANSVISNING
INSTALLATION INSTRUCTION
AUFBAUANLEITUNG
NOTICE D'INSTALLATION

DATE: 14.11.2024


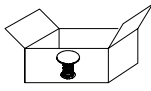
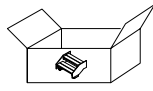
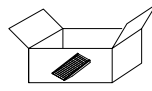
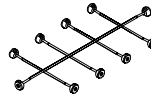
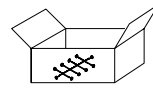
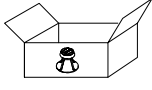
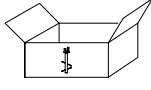
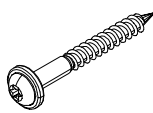
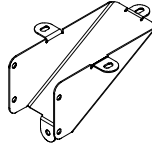
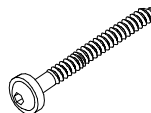
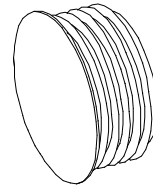
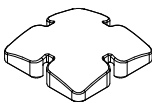
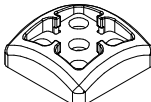
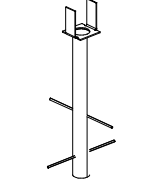
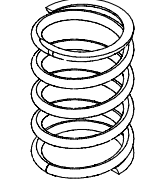
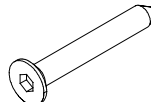
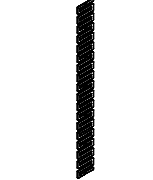
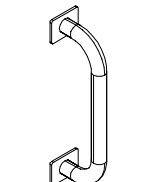
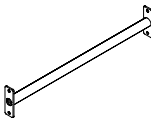
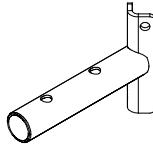
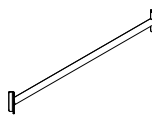
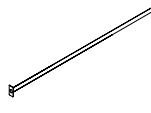


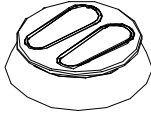
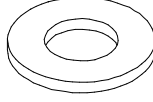
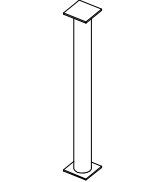
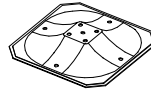
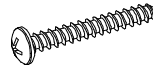
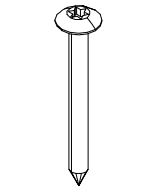
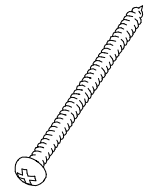
Q18618



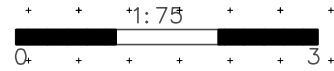
DATE: 14.11.2024

008985  32x714x714	PCS 1	008986  750x750	PCS 3	701401-602  L 1250	PCS 22	702286  65x65	PCS 1	704431  	PCS 3	705101  	PCS 2
705369-704 	PCS 2	705432-704  19xØ400	PCS 1	705439-217 	PCS 1	705505-217 	PCS 4	705513-703  LIME	PCS 2	705590-602  120x200x2294	PCS 1
706439-602  L 704	PCS 22	706443  32x45x702	PCS 6	706453  15x145x600	PCS 7	706484-602  93x93x2150	PCS 2	706499-602  93x93x860	PCS 2	706508  32x45x650	PCS 3
706510-602  45x120x1030	PCS 1	706514-602  70x120x1504	PCS 1	706527-602  93x93x1600	PCS 1	706531  FASTENER KIT	PCS 28	706535   FASTENER KIT	PCS 3	706537   FASTENER KIT	PCS 1
706538  FASTENER KIT	PCS 1	706753  FASTENER KIT	PCS 1	706783  15x170x700	PCS 1	707255-602  45x120x2480	PCS 2	707260-303  2375x600	PCS 2	707268  	PCS 1
707331-602  93x93x470	PCS 1	707374  L 1504	PCS 1	707696-704  15x265x275	PCS 2	707729  FASTENER KIT	PCS 2	707785  FASTENER KIT	PCS 1	707855-704  15x600x350	PCS 4
707856  45x120x672	PCS 8	707857  32x45x245	PCS 8	707858  45x45x540	PCS 2	707859-602  45x120x892	PCS 2	707860-602  45x120x1785	PCS 2	707861  750x590	PCS 3

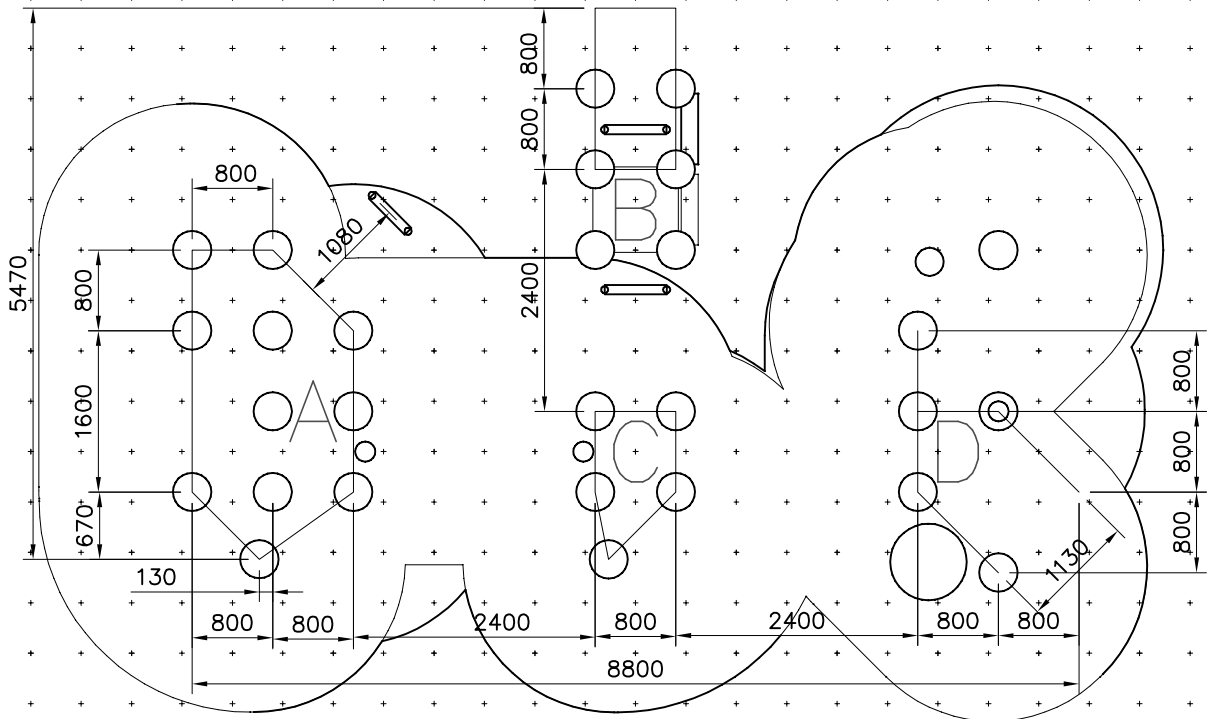
DATE: 14.11.2024

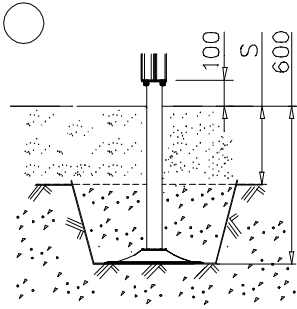
707862	PCS 2	707886	PCS 1	707887	PCS 2	707888	PCS 1	707893-303	PCS 2	707894	PCS 2
											
32x45x1700								755x1555			
707895	PCS 1	707900	PCS 2	900240	PCS 28	902086	PCS 2	903093	PCS 100	905103	PCS 4
											
		FASTENER KIT		Ø8x70		148x172x254		Ø8x90		PT-28/32-H	
905138	PCS 28	905196	PCS 28	905761	PCS 2	906316	PCS 1	906630	PCS 4	906632-217	PCS 1
											
GRAY		GRAY		12x12x700		20x200x300		Ø8x60			
906635-217	PCS 2	907694-217	PCS 7	907783-217	PCS 2	907920-217	PCS 2	908253-217	PCS 1	908255-217	PCS 1
											
		L 704				DIAG.		2304x130x60		2304x222x60	
908257-217	PCS 1	908474-205	PCS 1	909256	PCS 80	909511	PCS 28	909519	PCS 28	980114	PCS 4
											
2304x660x60		DEEP		Ø16/8.4		90x90x650		50x380x380		Ø4x20	
980123	PCS 88	980131	PCS 119		PCS		PCS		PCS		PCS
											
Ø7x60		Ø6x60									
	PCS		PCS		PCS		PCS		PCS		PCS

EN/AS Impact Area 54.8 m²
AS4685:2004 Impact Area 52.1 m²
Falling Space 71 m²
Grid size = 500 mm
Max Falling Height: 0000 mm

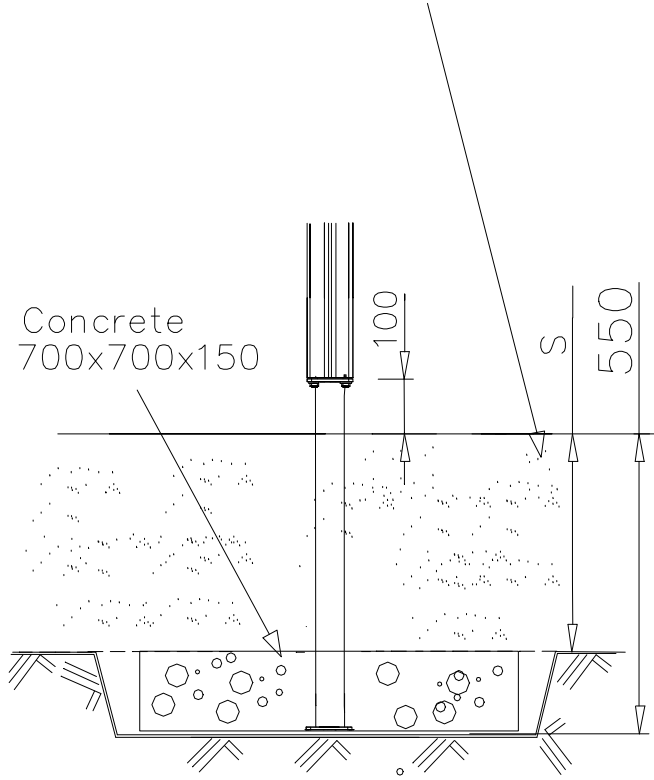


Grid size = 1000 mm

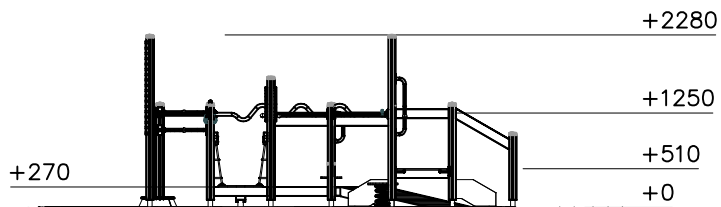
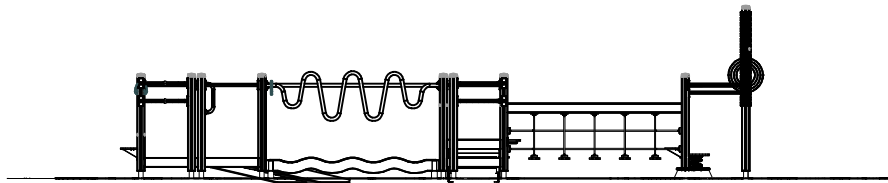
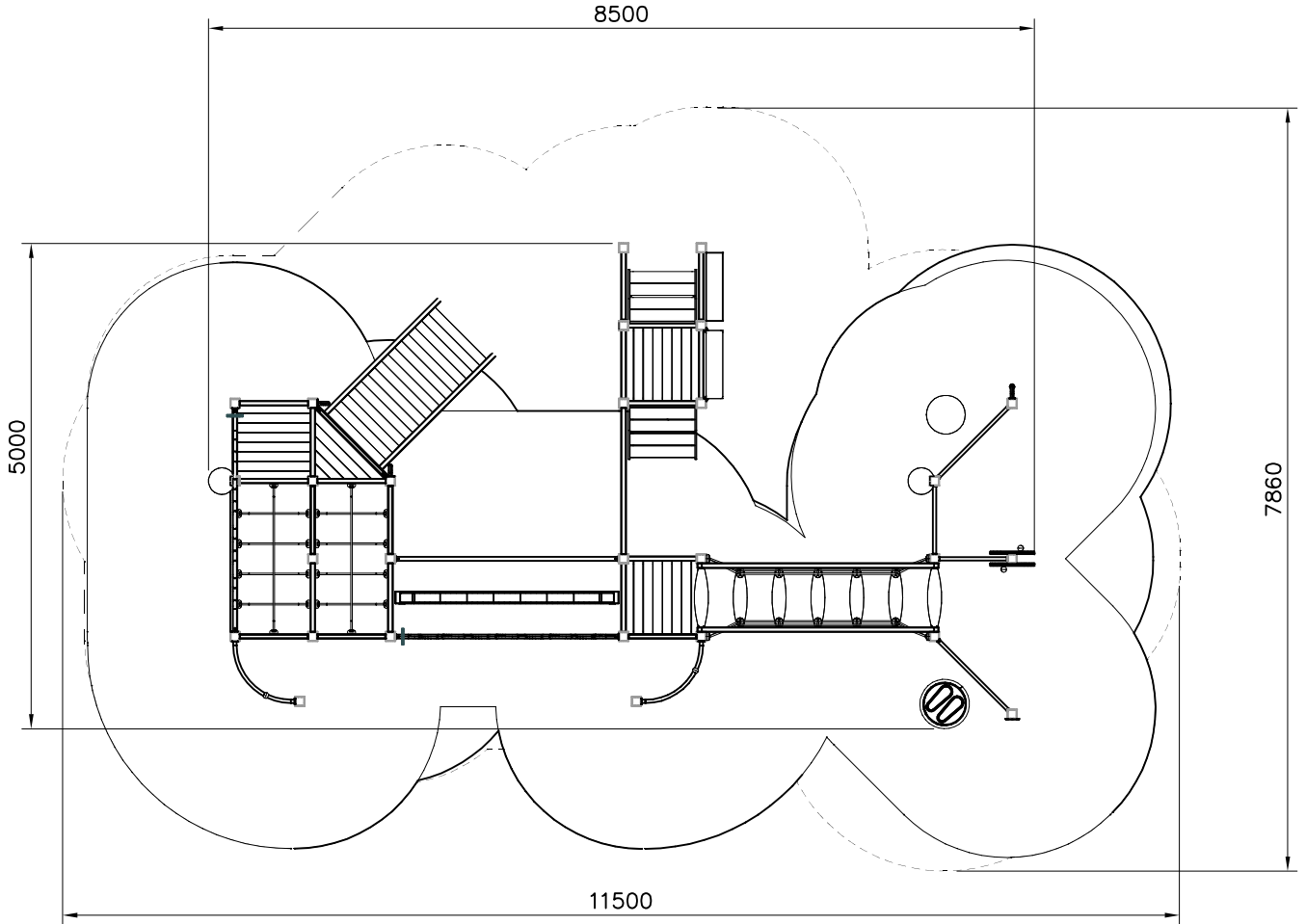
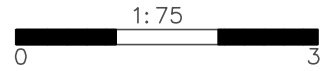


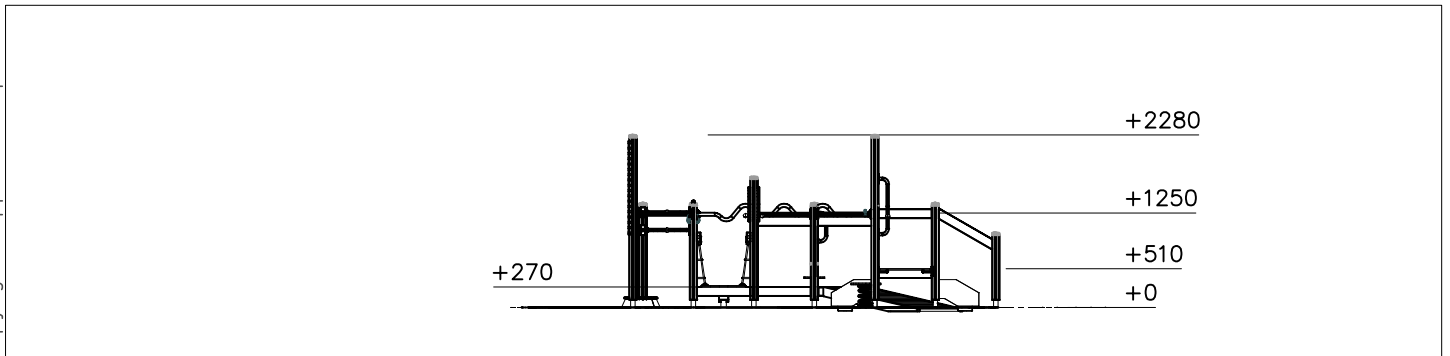
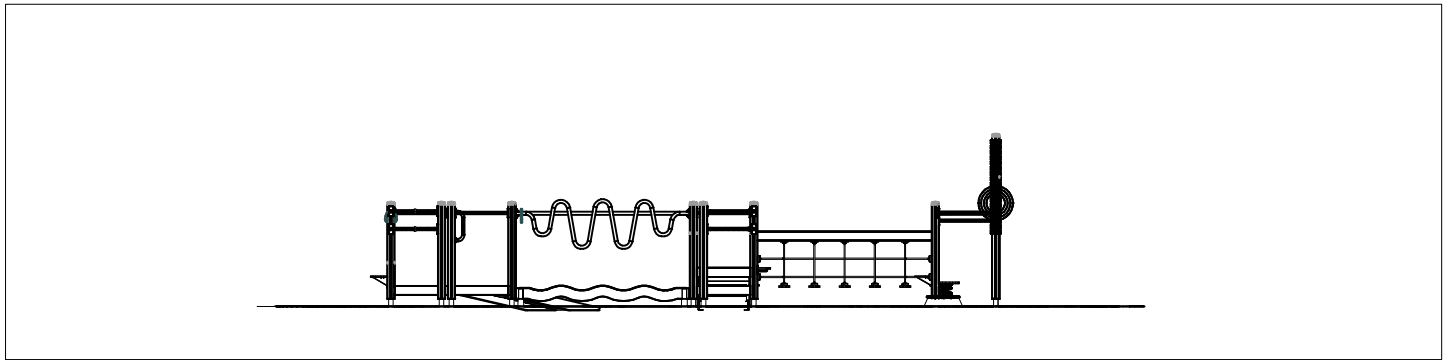
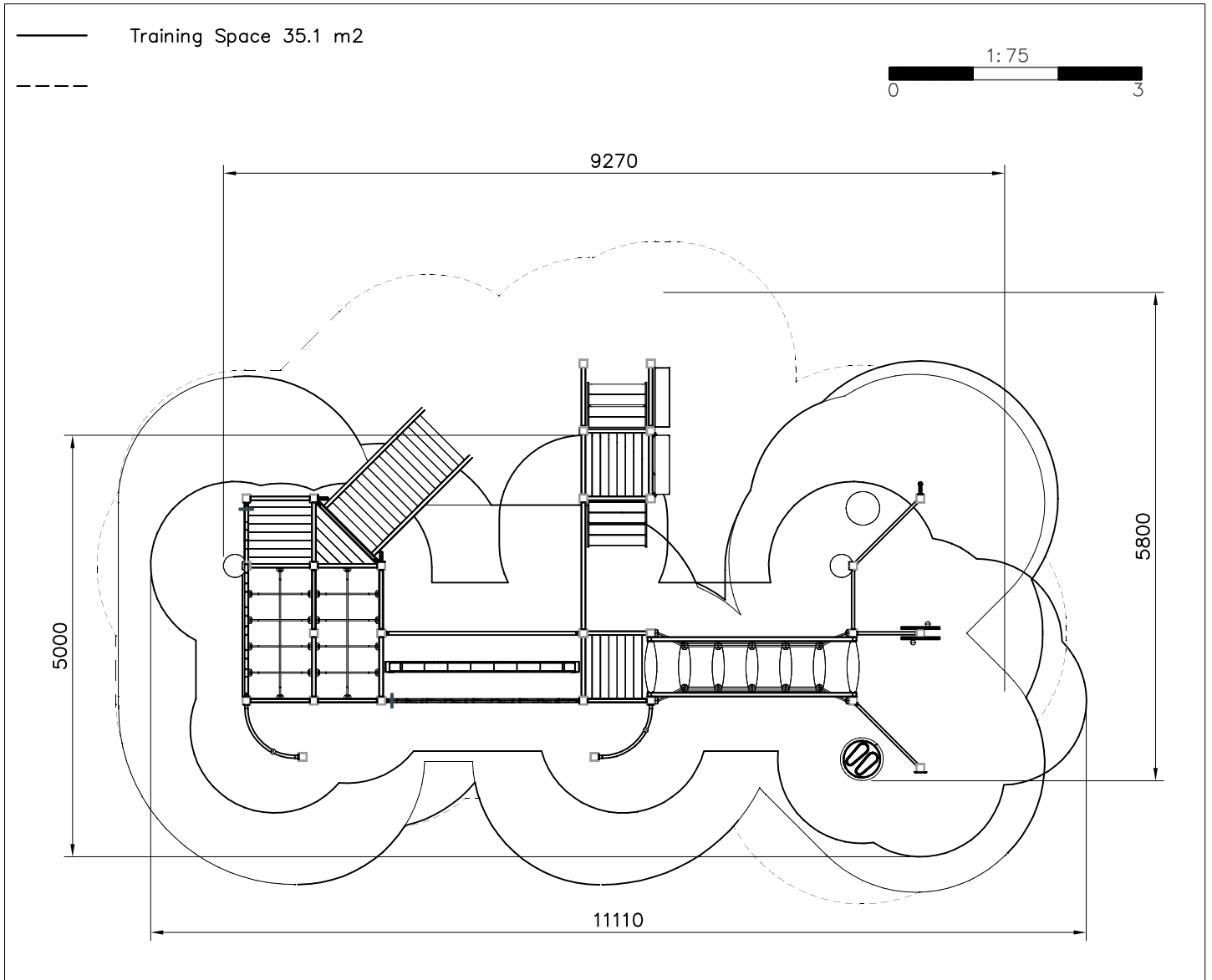


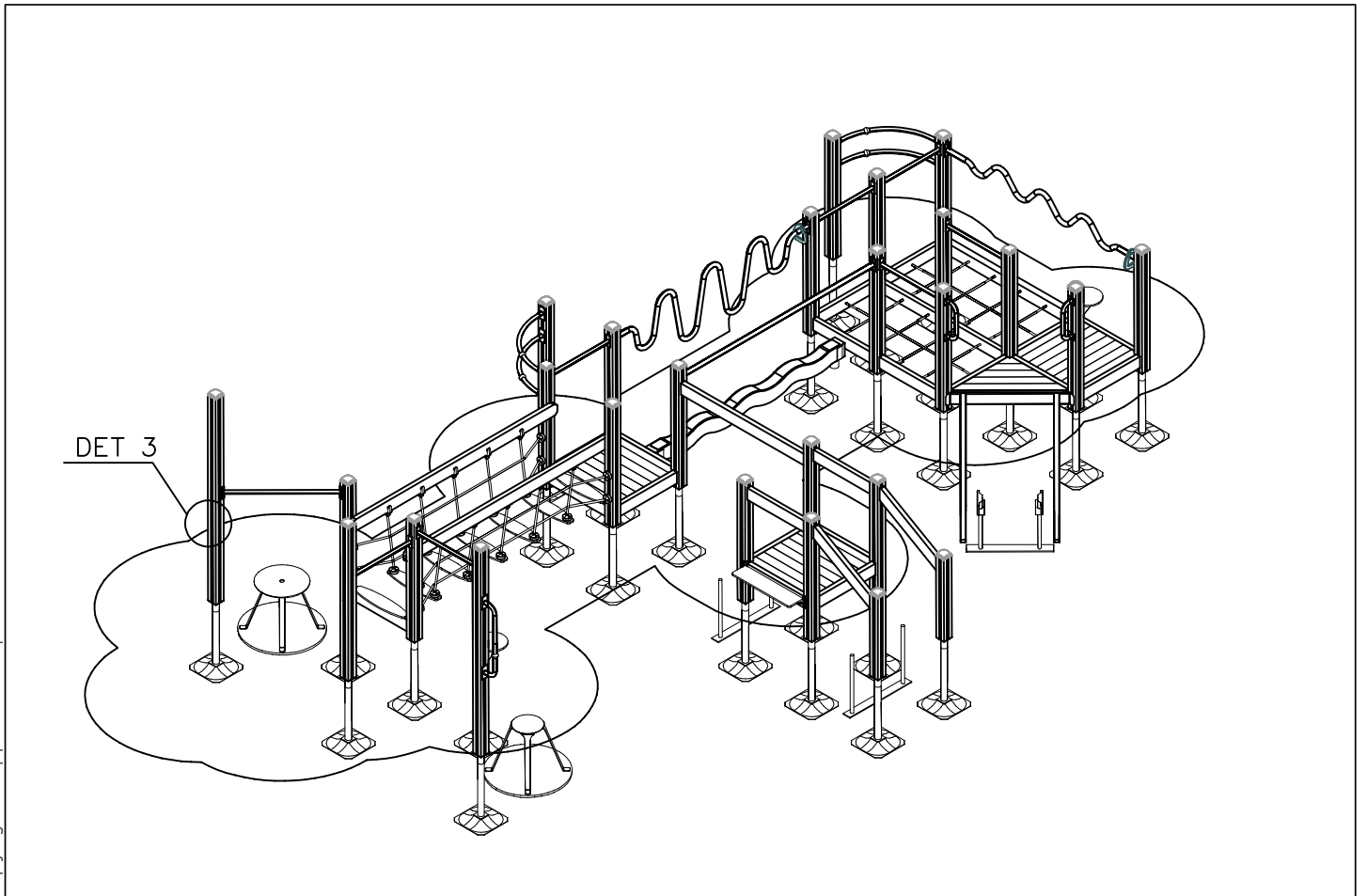
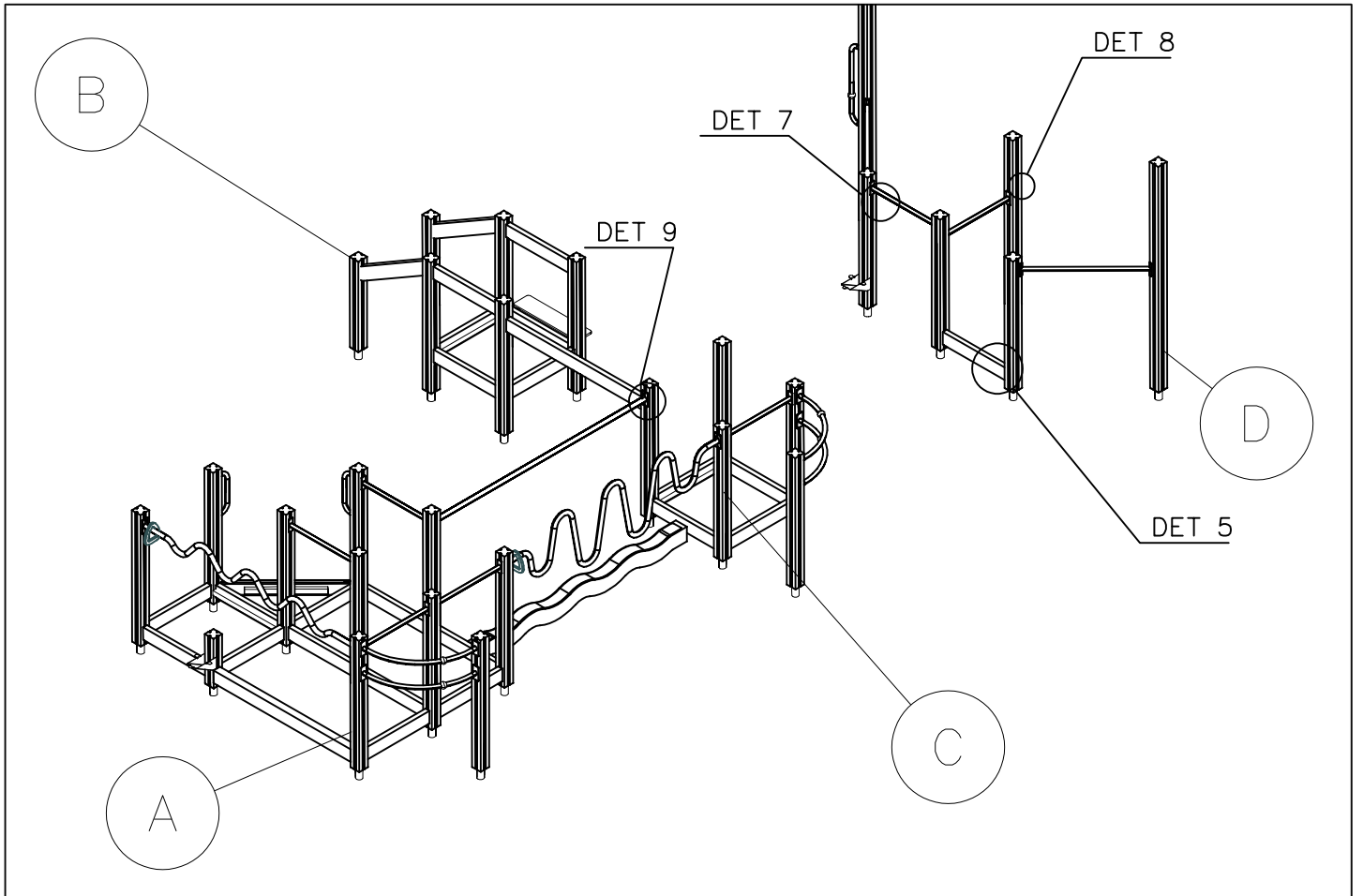
Sand 0.2–2 mm/
Gravel 2–8 mm



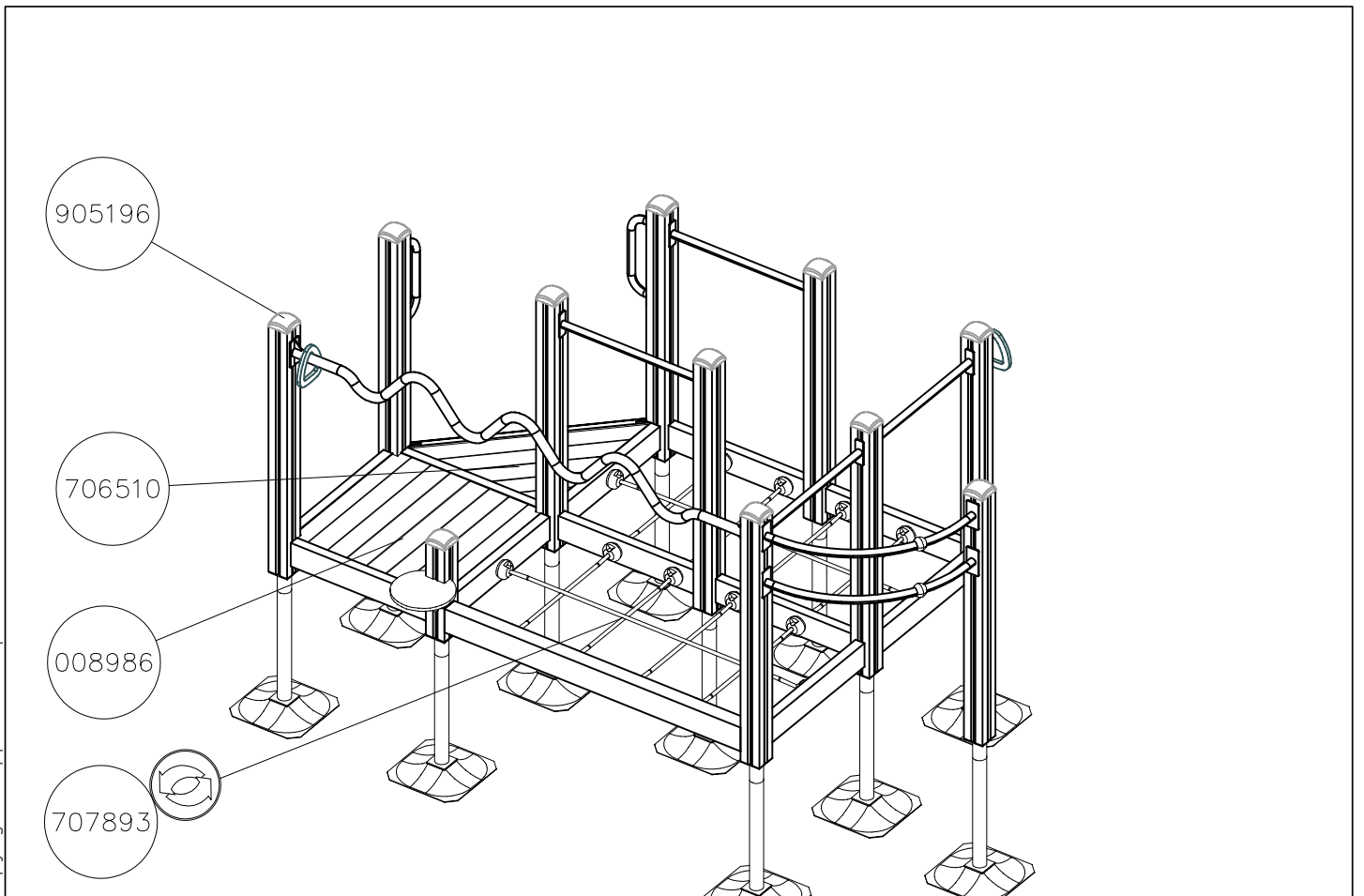
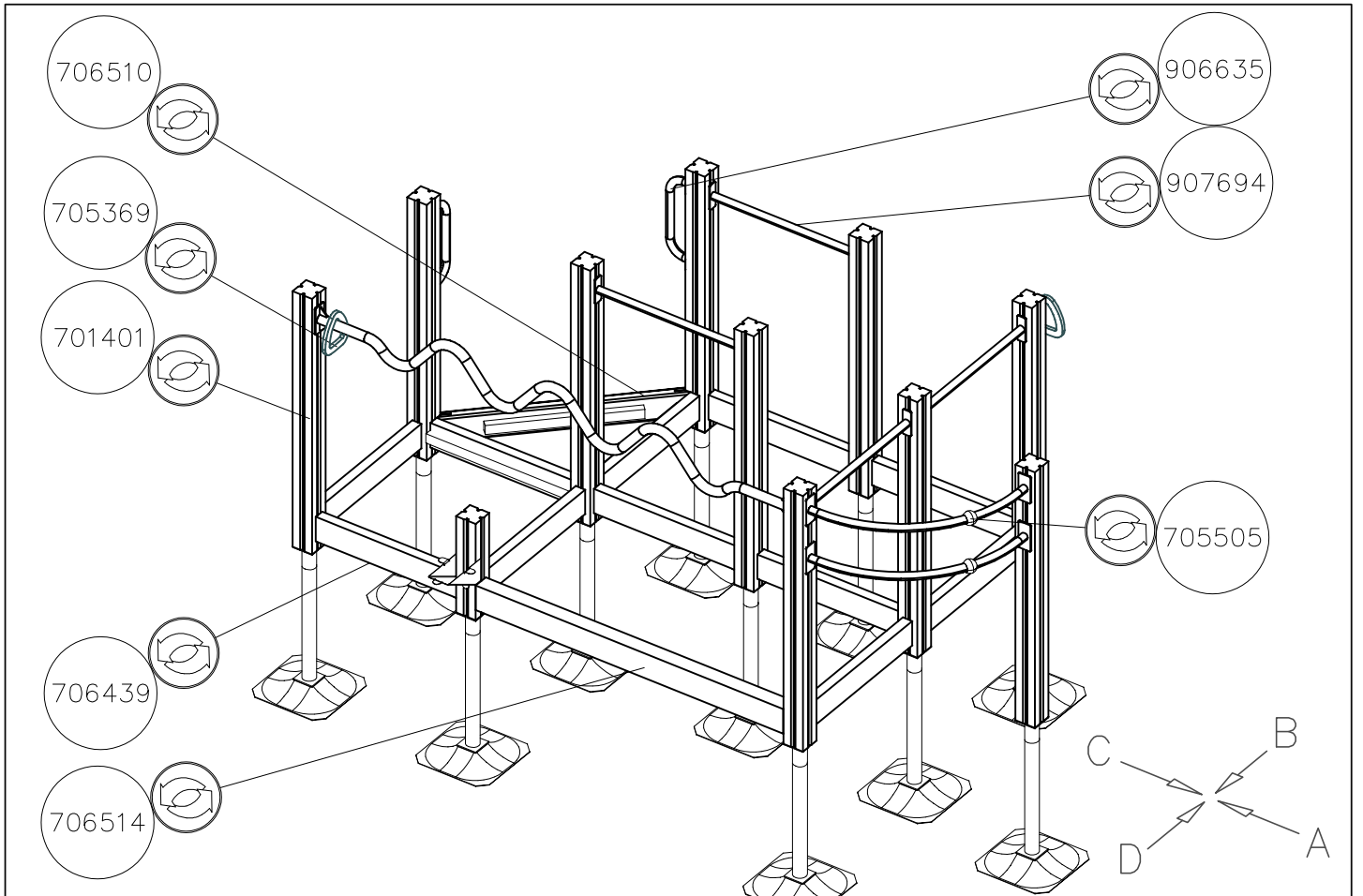
- EN/AS Impact Area 54.8 m²
- AS4685:2004 Impact Area 52.1 m²
- - - Falling Space 71 m²
- Max Falling Height 1250 mm



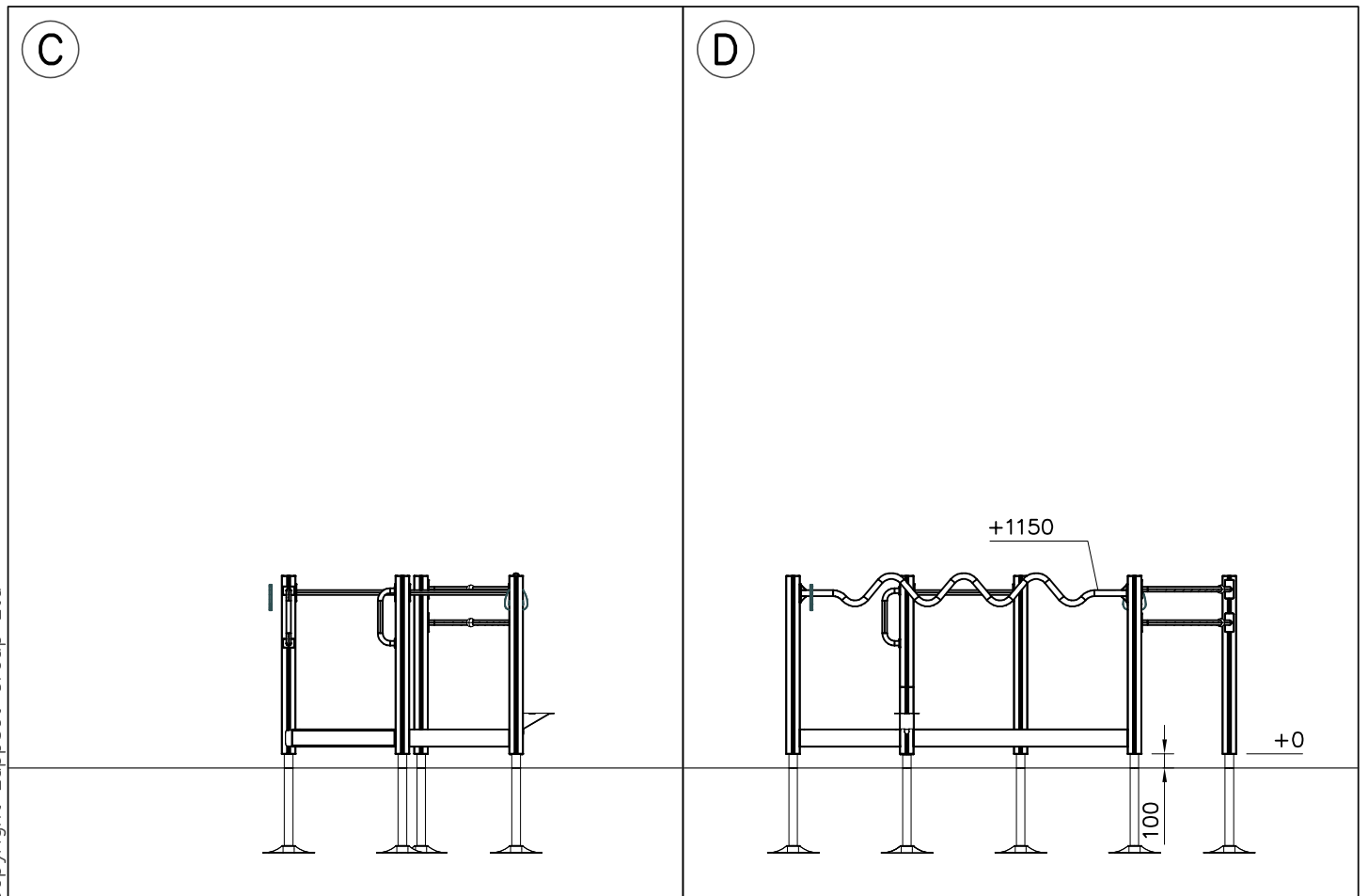
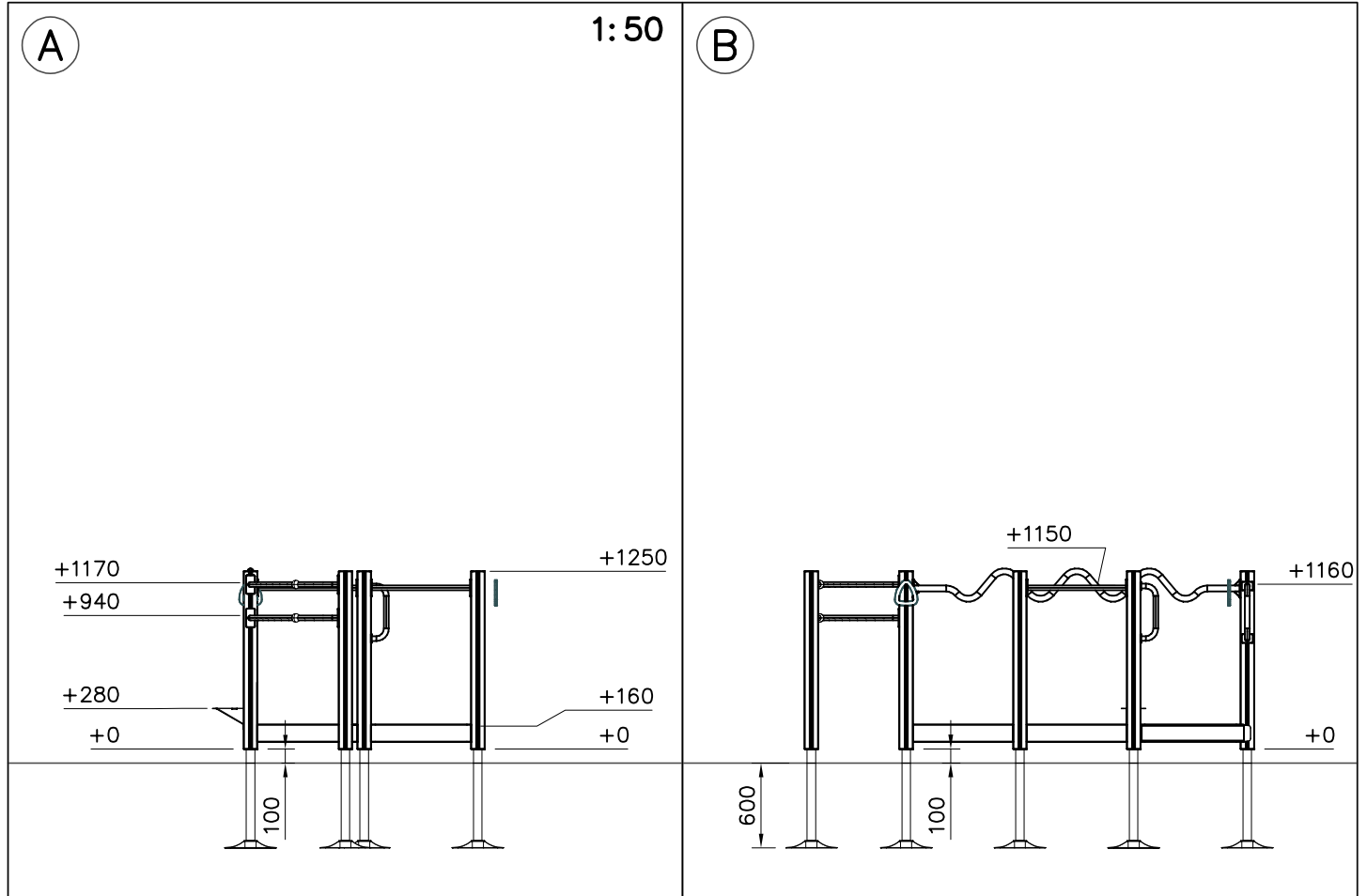


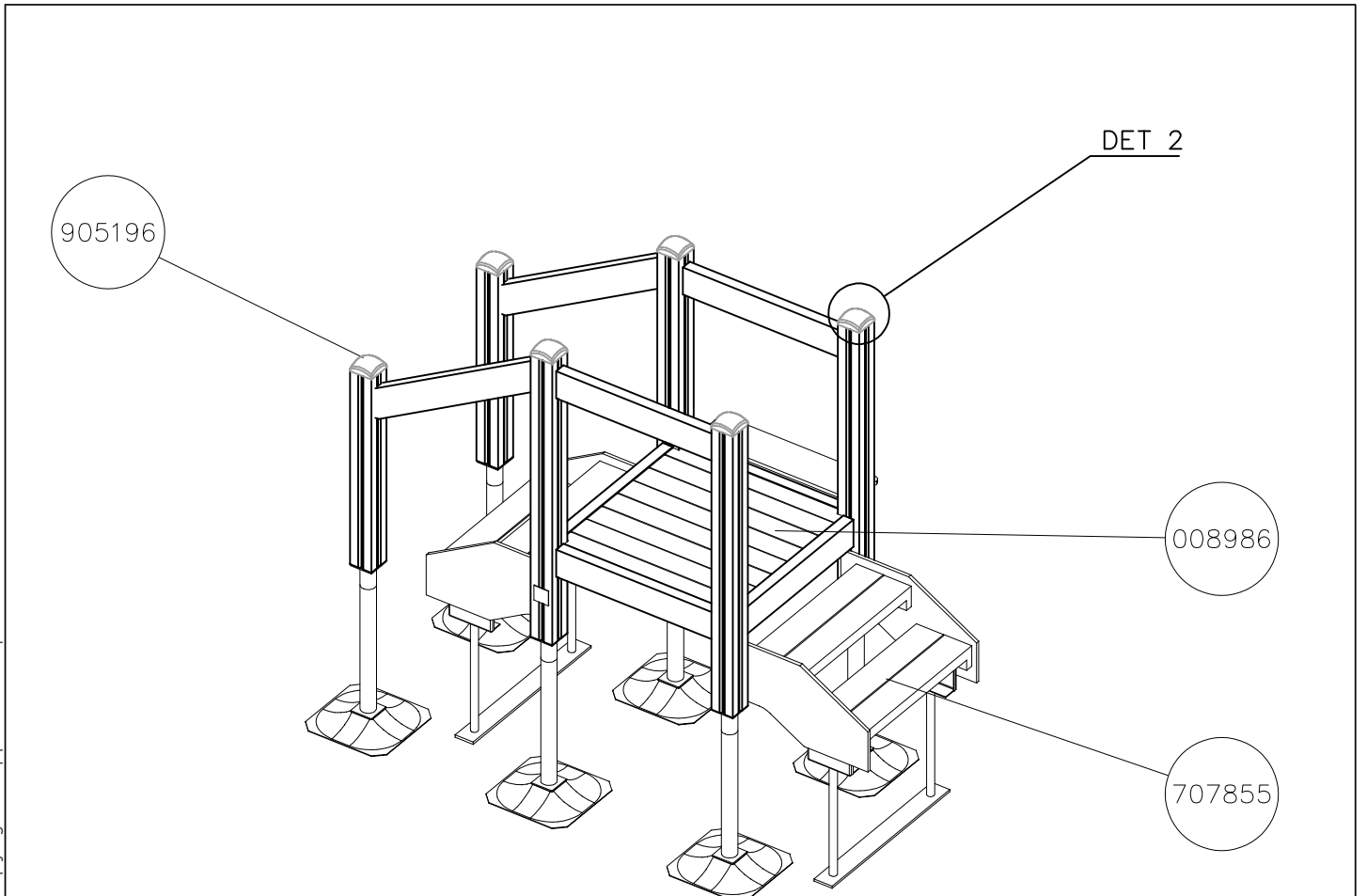
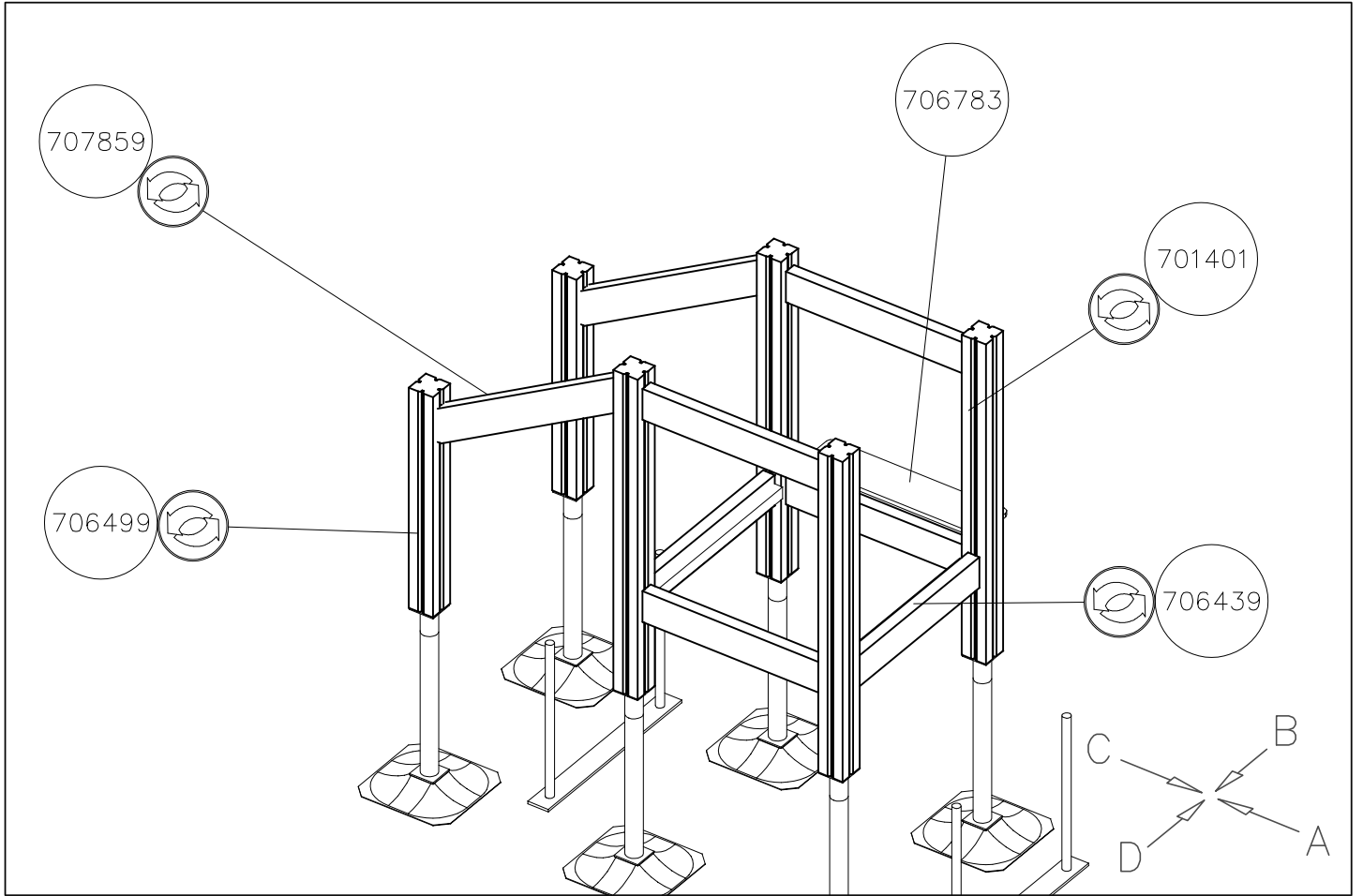


<p>DET 1</p>	<p>DET 2</p>	<p>DET 3</p>	<p>DET 4</p>
<p>DET 5</p>	<p>DET 6</p>	<p>DET 7</p>	<p>DET 8</p>
<p>DET 9</p>			



DATE: 14.11.2024

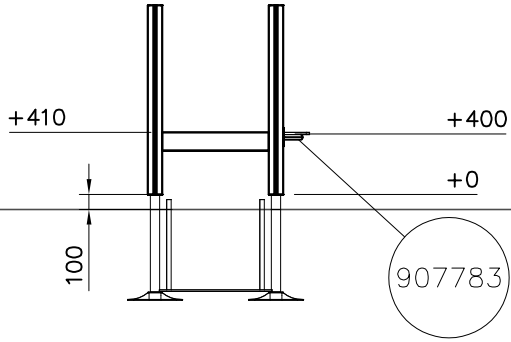




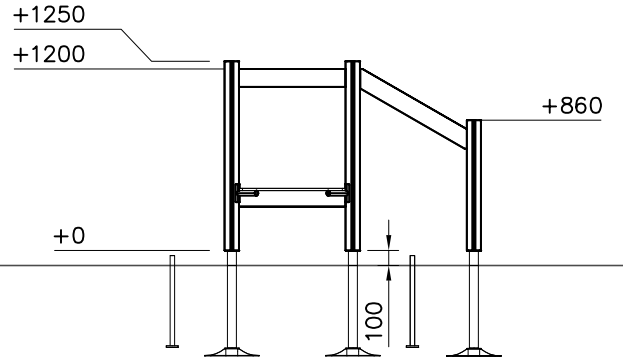
DATE: 14.11.2024

1:50

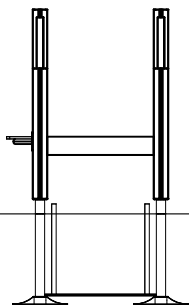
A



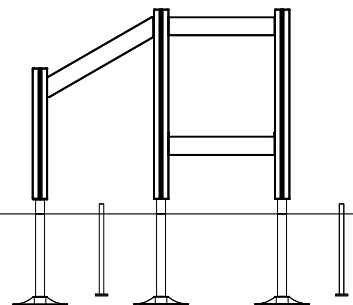
B

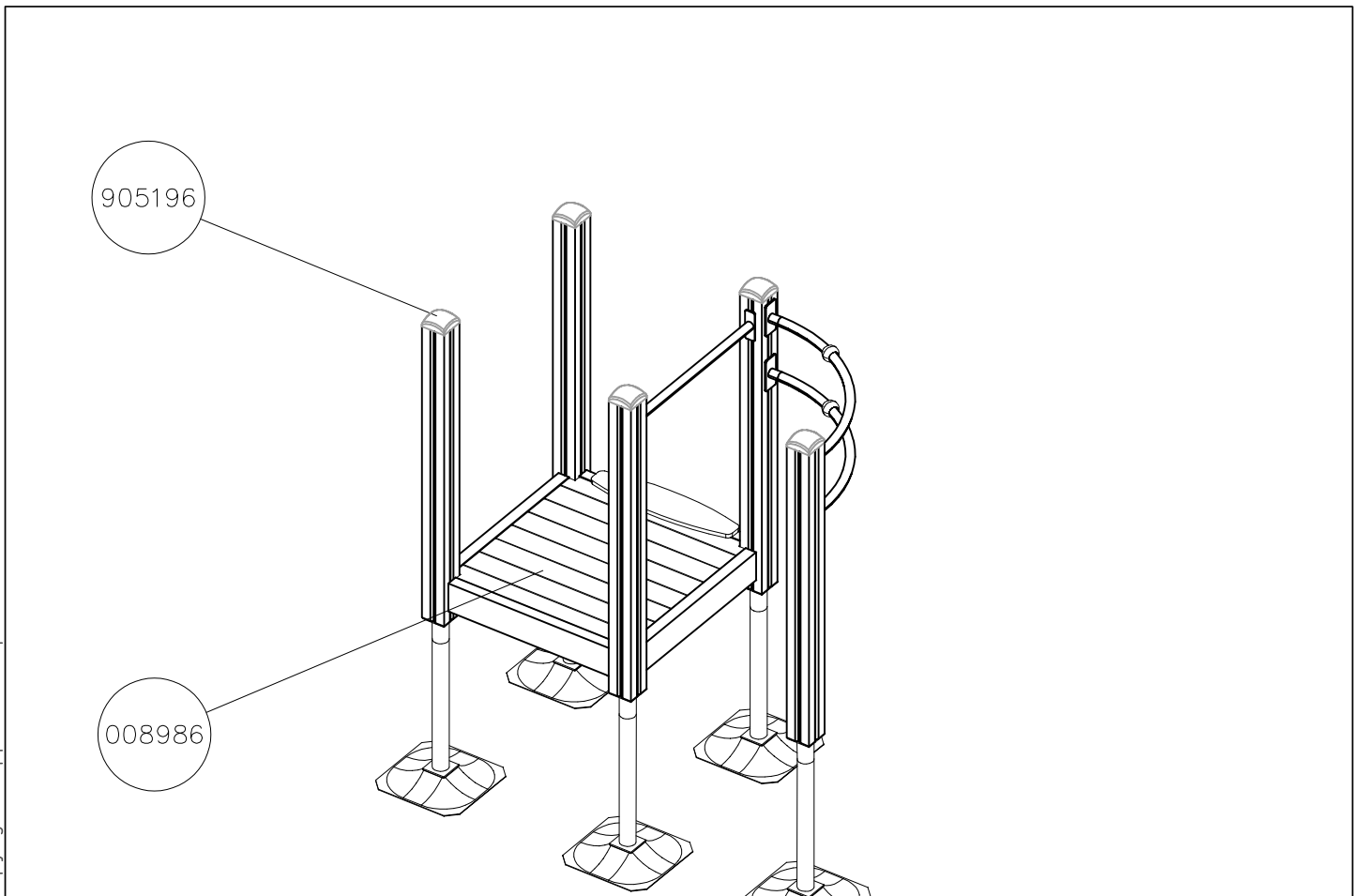
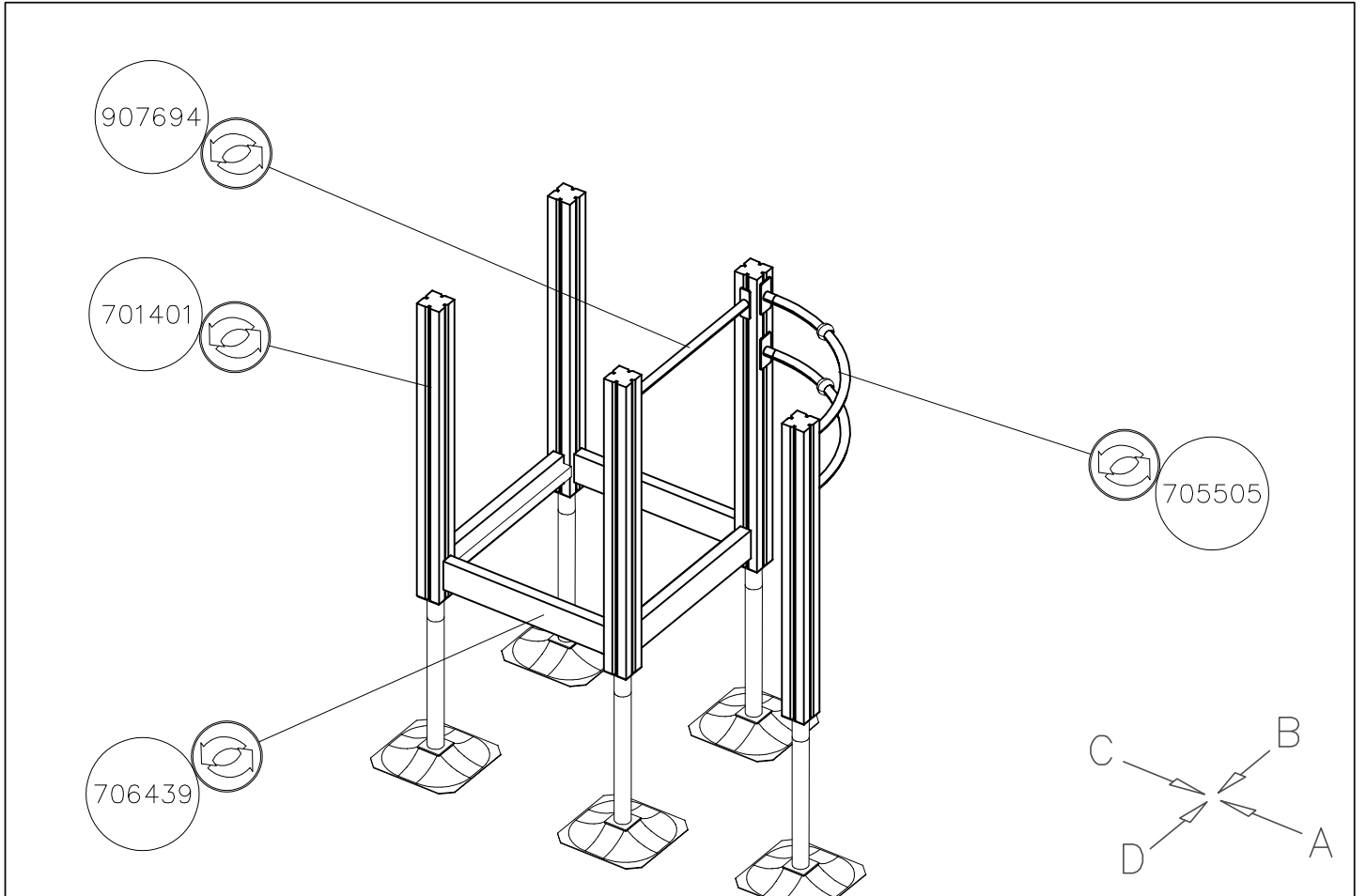


C



D



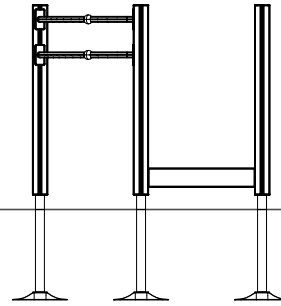
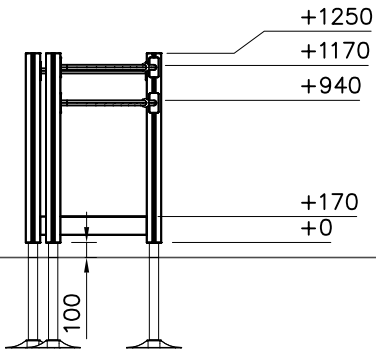


DATE: 14.11.2024

1:50

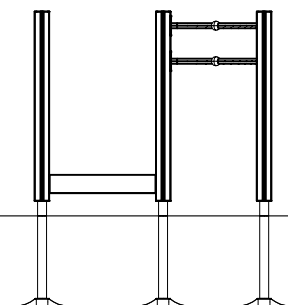
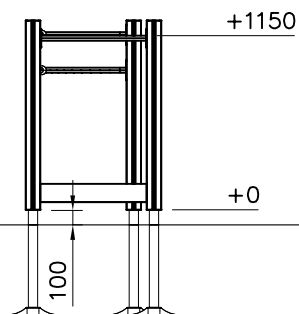
A

B

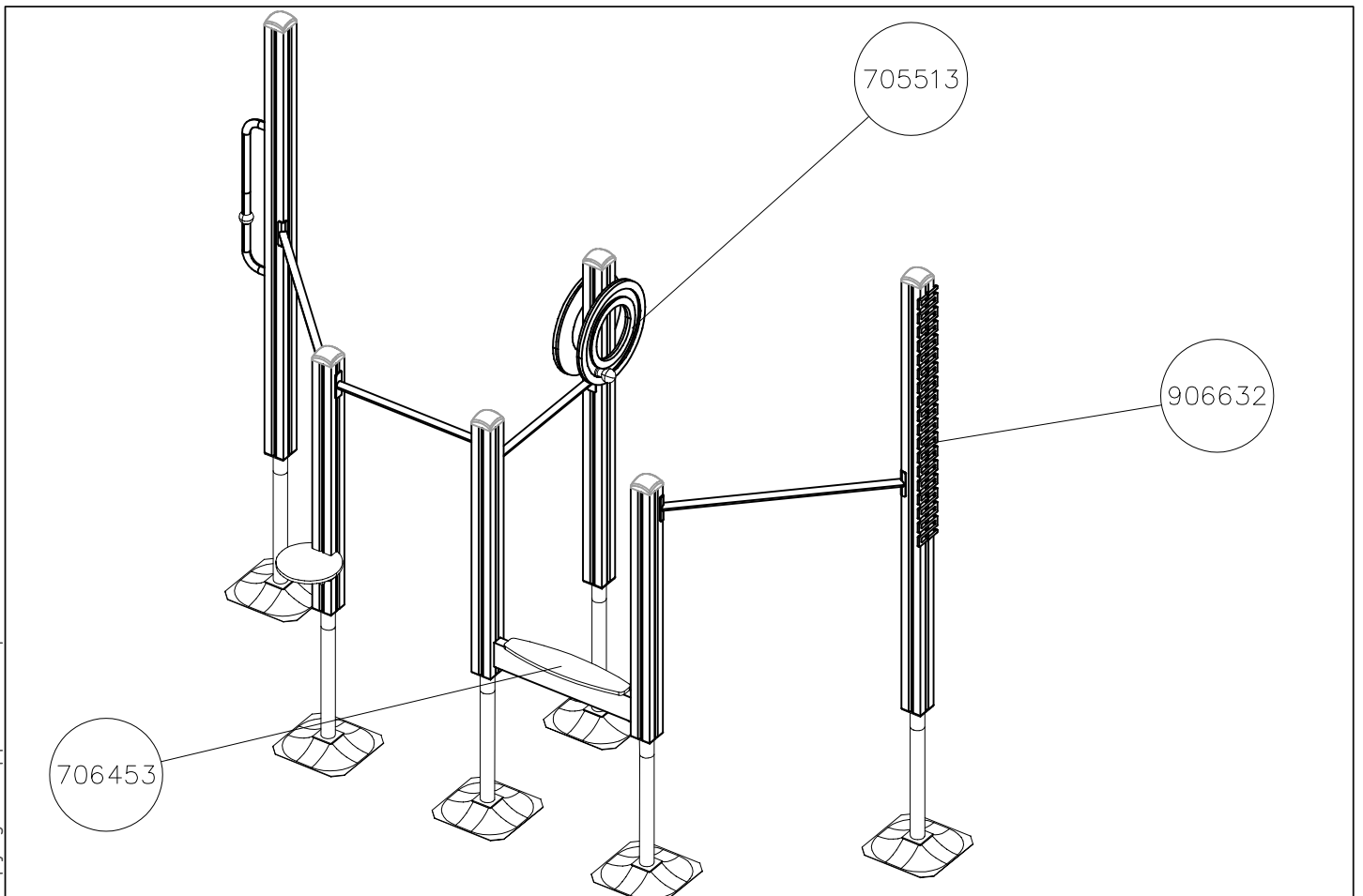
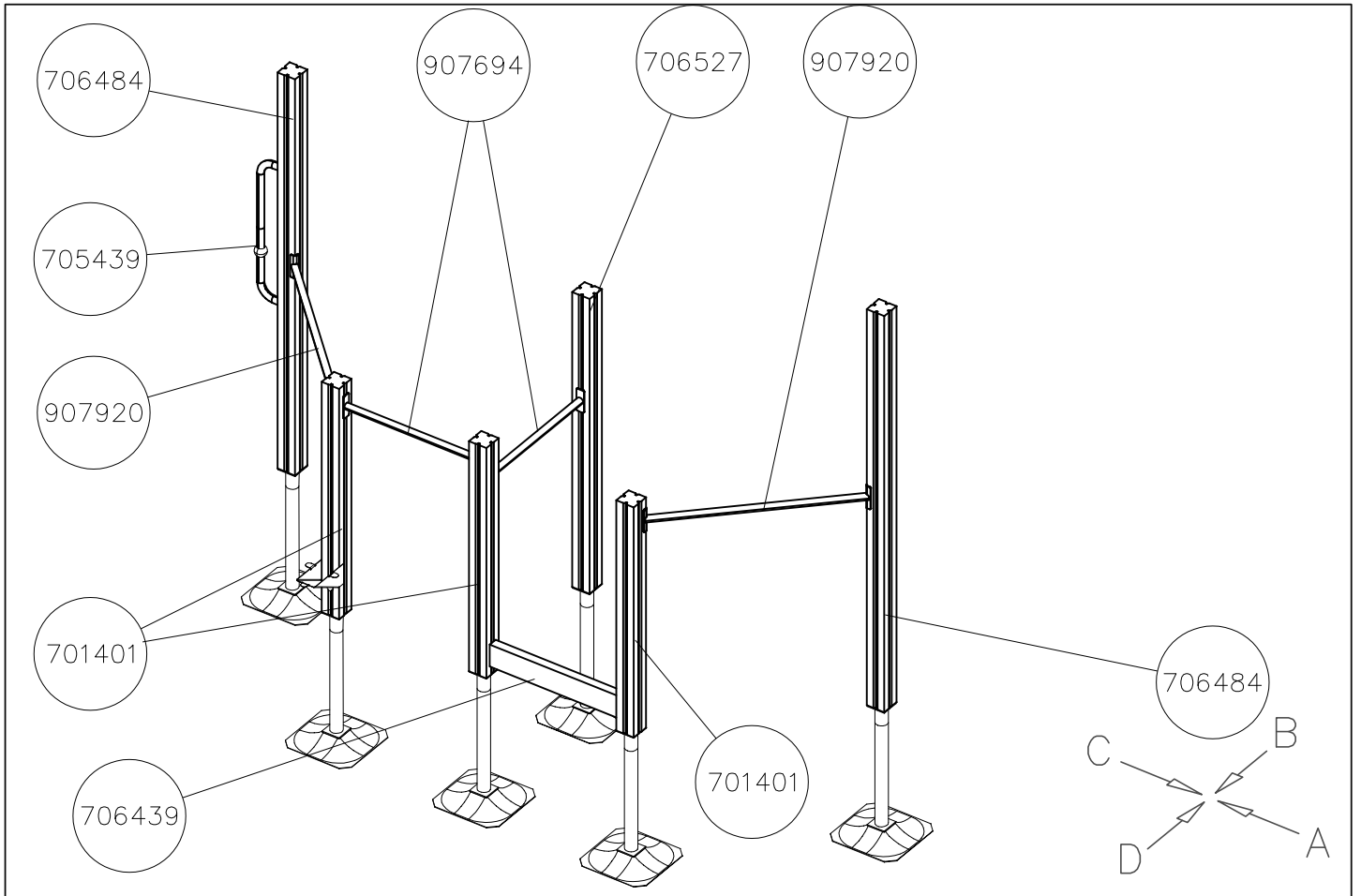


C

D



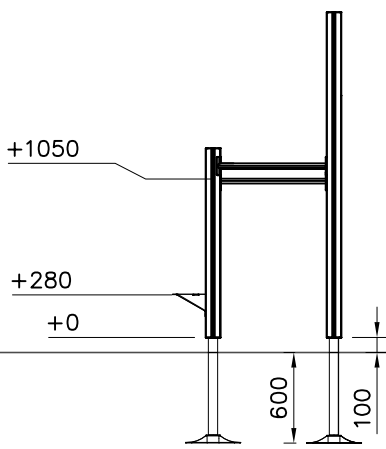
DATE: 14.11.2024



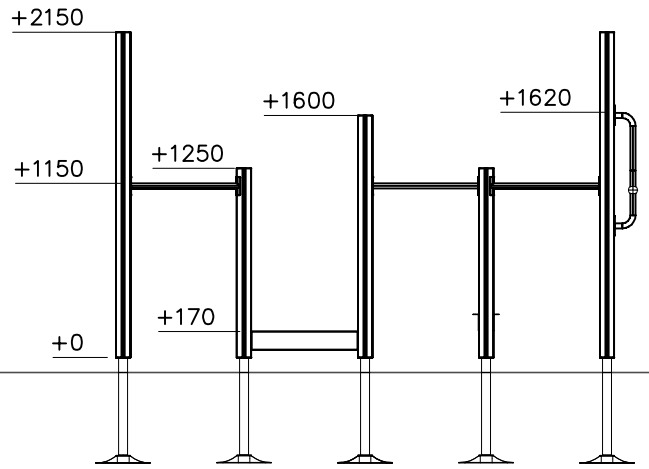
DATE: 14.11.2024

1:50

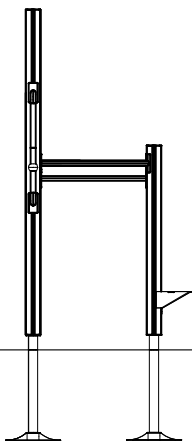
A



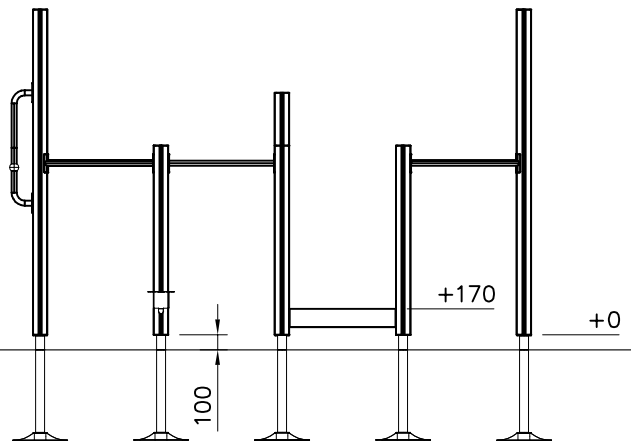
B

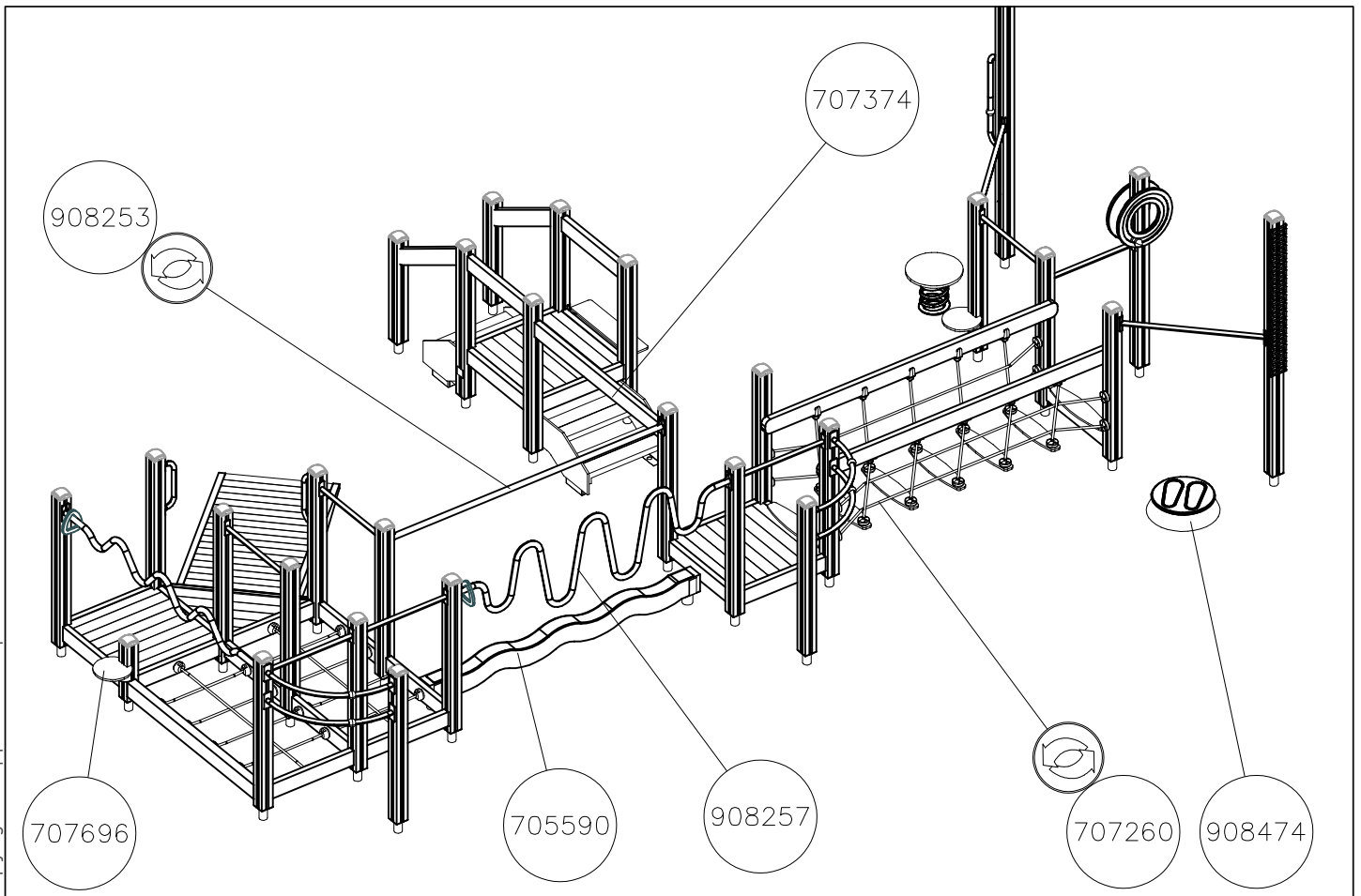
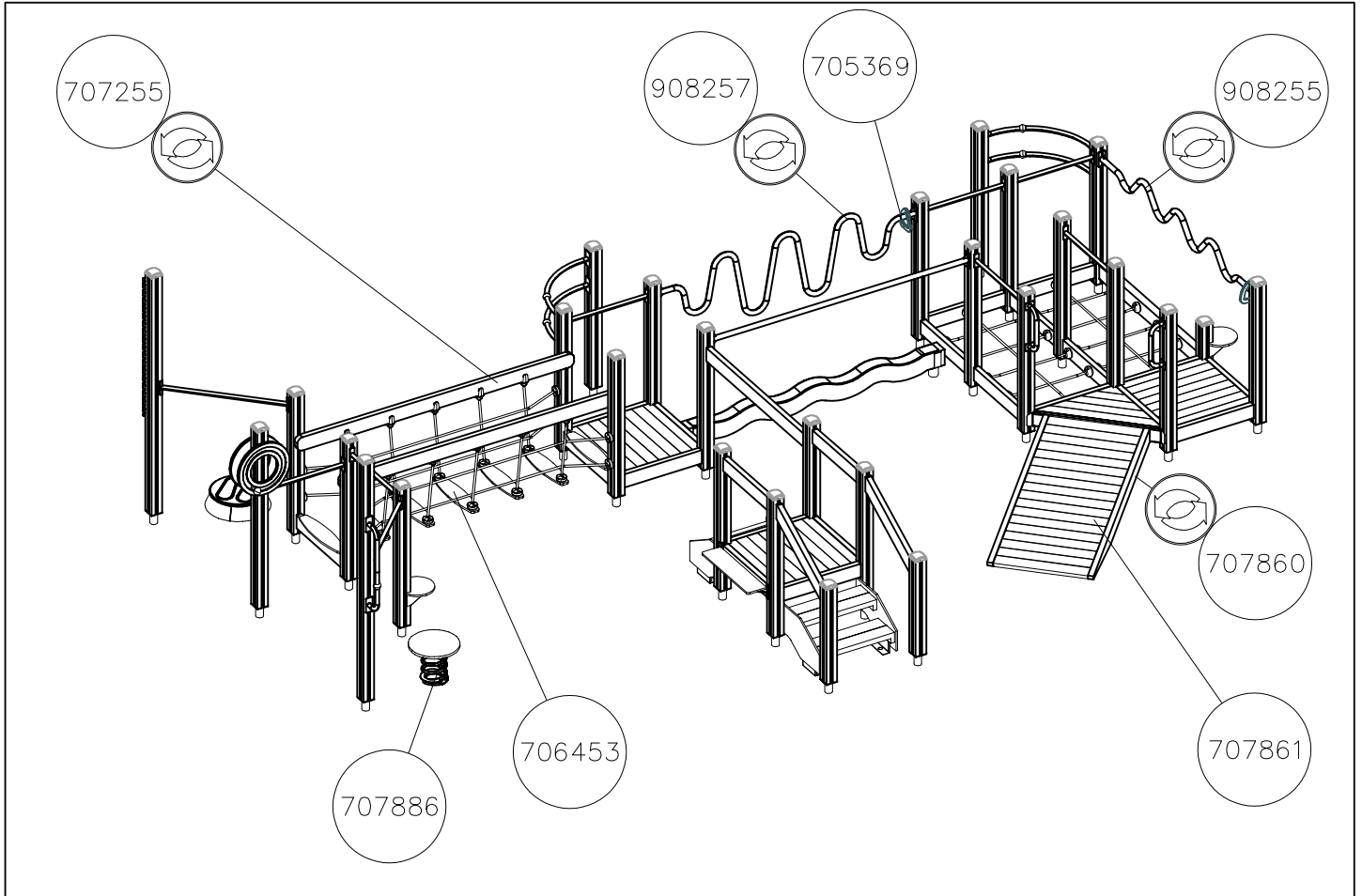


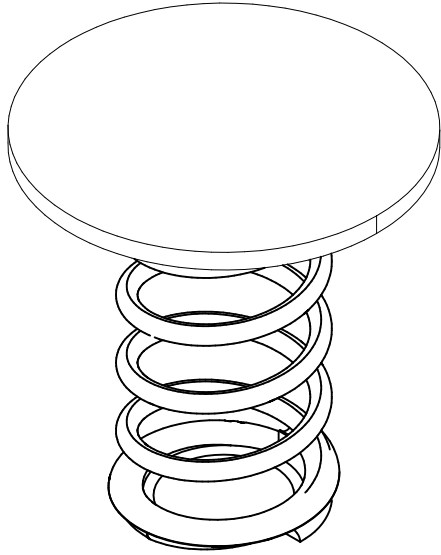
C



D

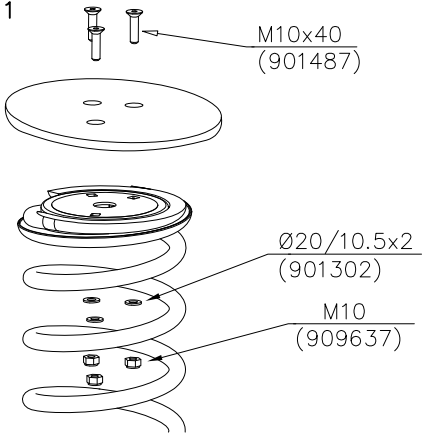




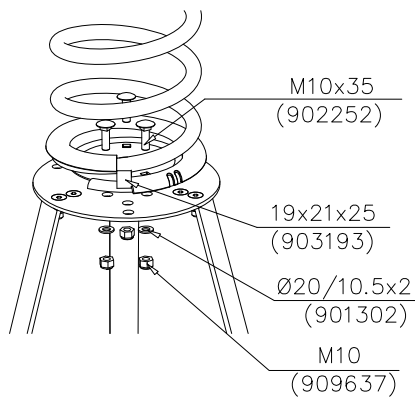


① 903191	PCS	② 901487	PCS
	2		3
			M10x40
	PCS		PCS
	PCS		PCS
	PCS		PCS
	PCS		PCS
	PCS		PCS
	PCS		PCS
	PCS		PCS

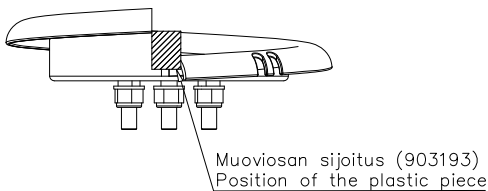
DET 1



DET 2



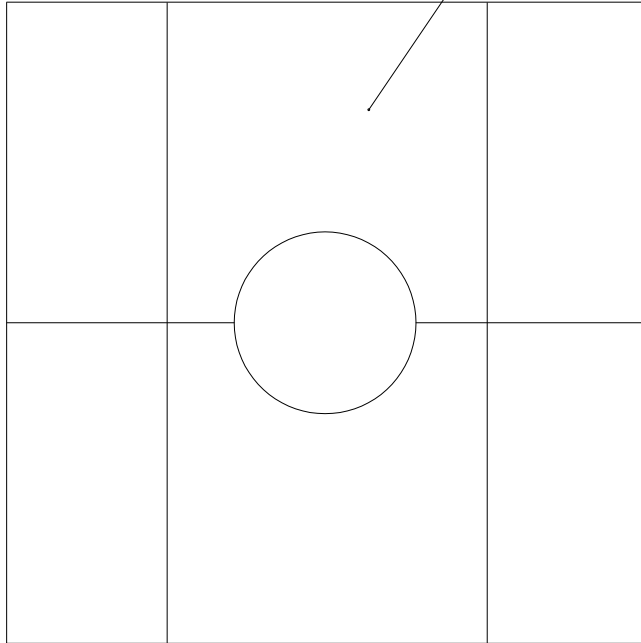
DET 3



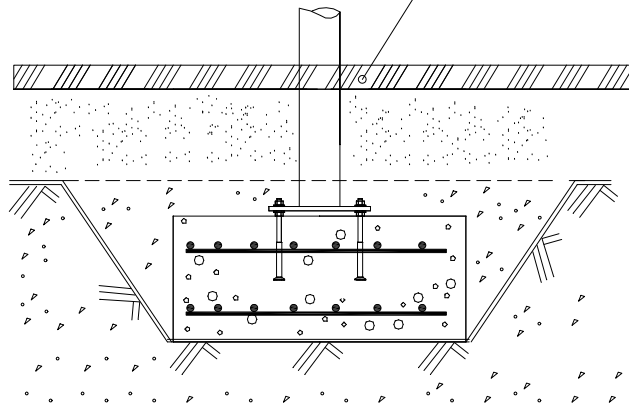
Muoviosan sijoitus (903193)
Position of the plastic piece

												
<p>$h < 600$</p> <p>Without movement and therefore without Impact Area</p>	<p>Totally hard surfaces.</p> <p>Note. Lappset does <u>not recommend</u> totally hard surfaces at all.</p>	<p>E.g. concrete or asphalt</p> 										
<p>$h < 600$</p> <p>With movement e.g. rocking</p>	<p>Materials with very limited impact attenuating properties.</p>	<p>E.g. wood</p> 										
<p>$h < 1000$</p>	<p>Materials with significant impact attenuating properties.</p>	<p>fine gravel 0–8 mm</p>  <p>grass</p>  <p>unsorted sand</p> 										
<p>$h < 3000$</p>	<p>Loose fill material</p> <p>E.g. sand/gravel 0,25...8 mm D60/D10<3,0 Woodchips 5...30 mm bark 20...80 mm</p>	 <table data-bbox="1021 1691 1332 1792"> <tr> <td>\underline{S}</td> <td>\underline{h}</td> </tr> <tr> <td>30 cm</td> <td>< 2,0 m</td> </tr> <tr> <td>40 cm</td> <td>< 3,0 m</td> </tr> </table>	\underline{S}	\underline{h}	30 cm	< 2,0 m	40 cm	< 3,0 m				
\underline{S}	\underline{h}											
30 cm	< 2,0 m											
40 cm	< 3,0 m											
	<p>Syntethic granulates</p> <table data-bbox="406 1892 758 2060"> <tr> <td>\underline{S}</td> <td>\underline{h}</td> </tr> <tr> <td>40 mm</td> <td>~> 1,2...1,3 m</td> </tr> <tr> <td>50 mm</td> <td>~> 1,5...1,7 m</td> </tr> <tr> <td>60 mm</td> <td>~> 1,8...2,0 m</td> </tr> <tr> <td>70 mm</td> <td>~> 2,1...2,5 m</td> </tr> </table> <p>Note. For accurate values, see manufacturer's instructions.</p>	\underline{S}	\underline{h}	40 mm	~> 1,2...1,3 m	50 mm	~> 1,5...1,7 m	60 mm	~> 1,8...2,0 m	70 mm	~> 2,1...2,5 m	
\underline{S}	\underline{h}											
40 mm	~> 1,2...1,3 m											
50 mm	~> 1,5...1,7 m											
60 mm	~> 1,8...2,0 m											
70 mm	~> 2,1...2,5 m											

REMOVE SAFETY SURFACE/SAND/GRAVEL
TO CHECK FOUNDATION



REMOVE SAFETY SURFACE/SAND/GRAVEL
TO CHECK FOUNDATION





LAPPSET®
BETON FOUNDATION

FOOT

DATE: 27.10.2015

1(1)

② 905104	PCS		PCS
	4		
 M10	PCS		PCS



905104

LAPPSET® DEEP FOUNDATION

FOOT

DATE: 15.5.2018

1(1)



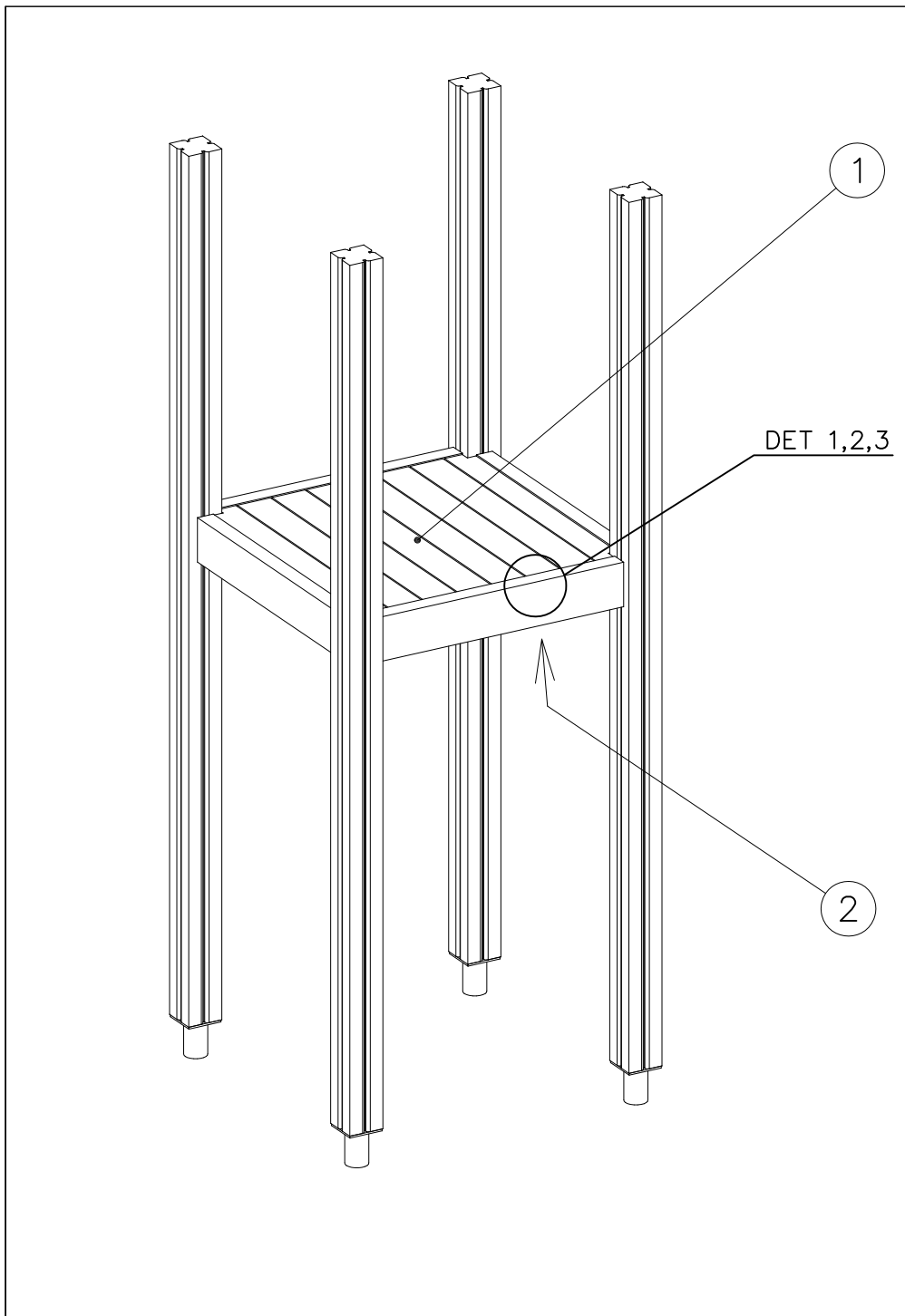
① 909511	PCS	② 909519	PCS
	1		1
90x90x650		50x380x380	

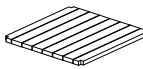
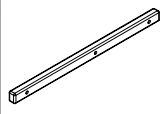
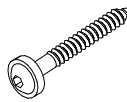

③ 909637	PCS	④ 909638	PCS
	4		8
M10		Ø20/10.5	

⑤ 909639	PCS	⑥ 905104	PCS
	4		4
M10x25		M10	

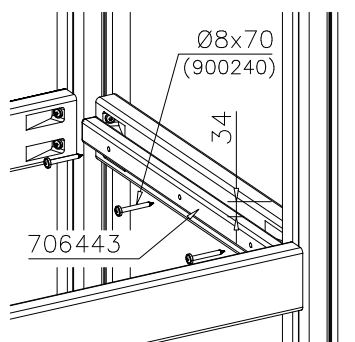
OPTION FOOT

① 911155	PCS		PCS
	1		
90x90x650			



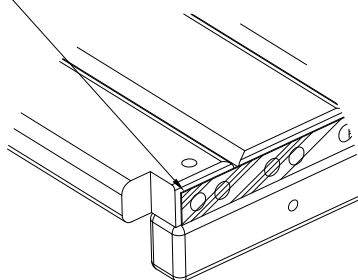
① 008986	PCS	② 706443	PCS
	1		2
750x750		32x45x702	
③ 900240	PCS	④ 980101	PCS
	6		8
Ø8x70		Ø4.5x70	
	PCS		PCS
	PCS		PCS
	PCS		PCS

DET 1

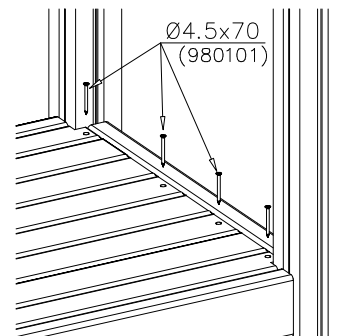


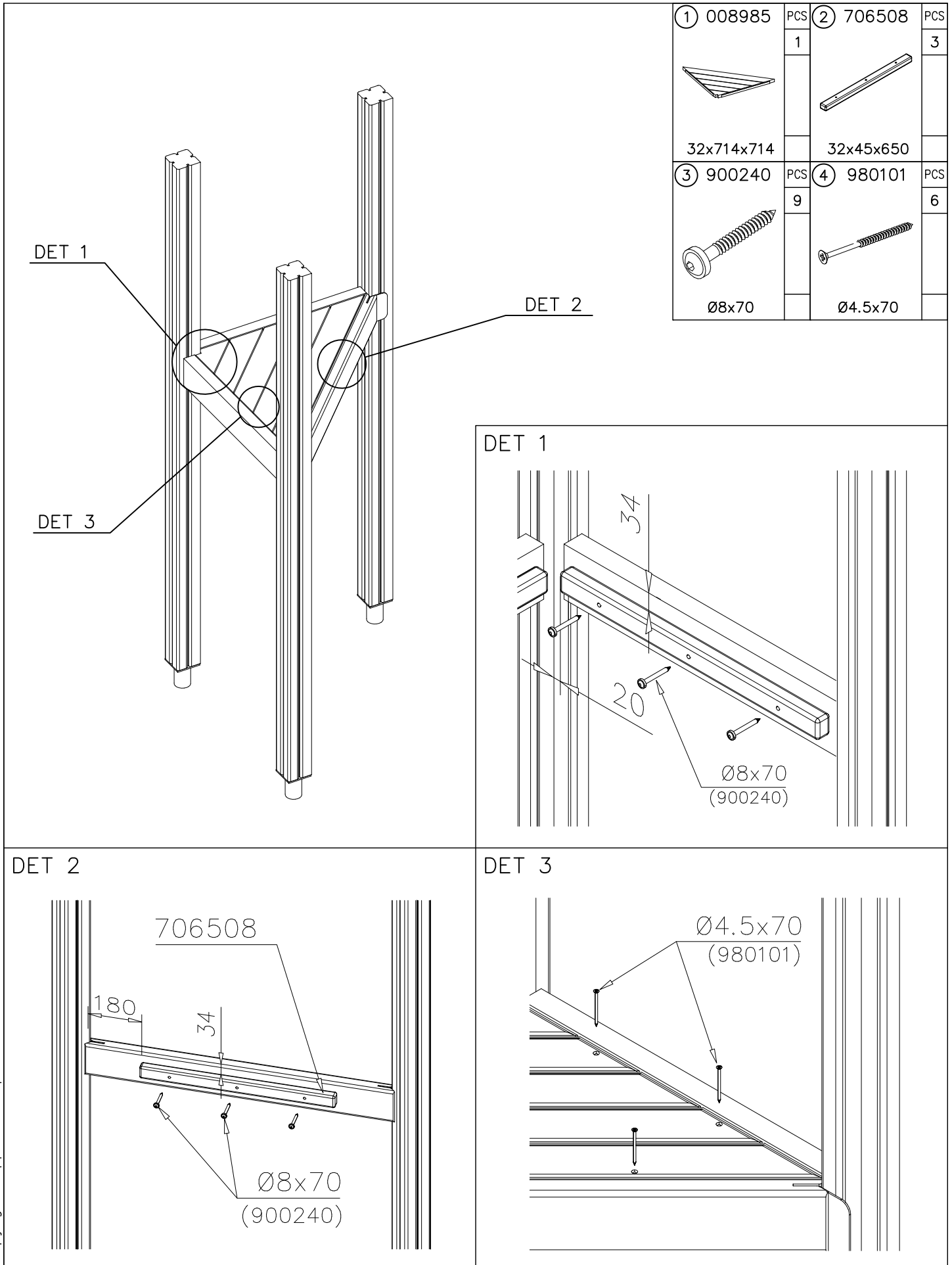
DET 2

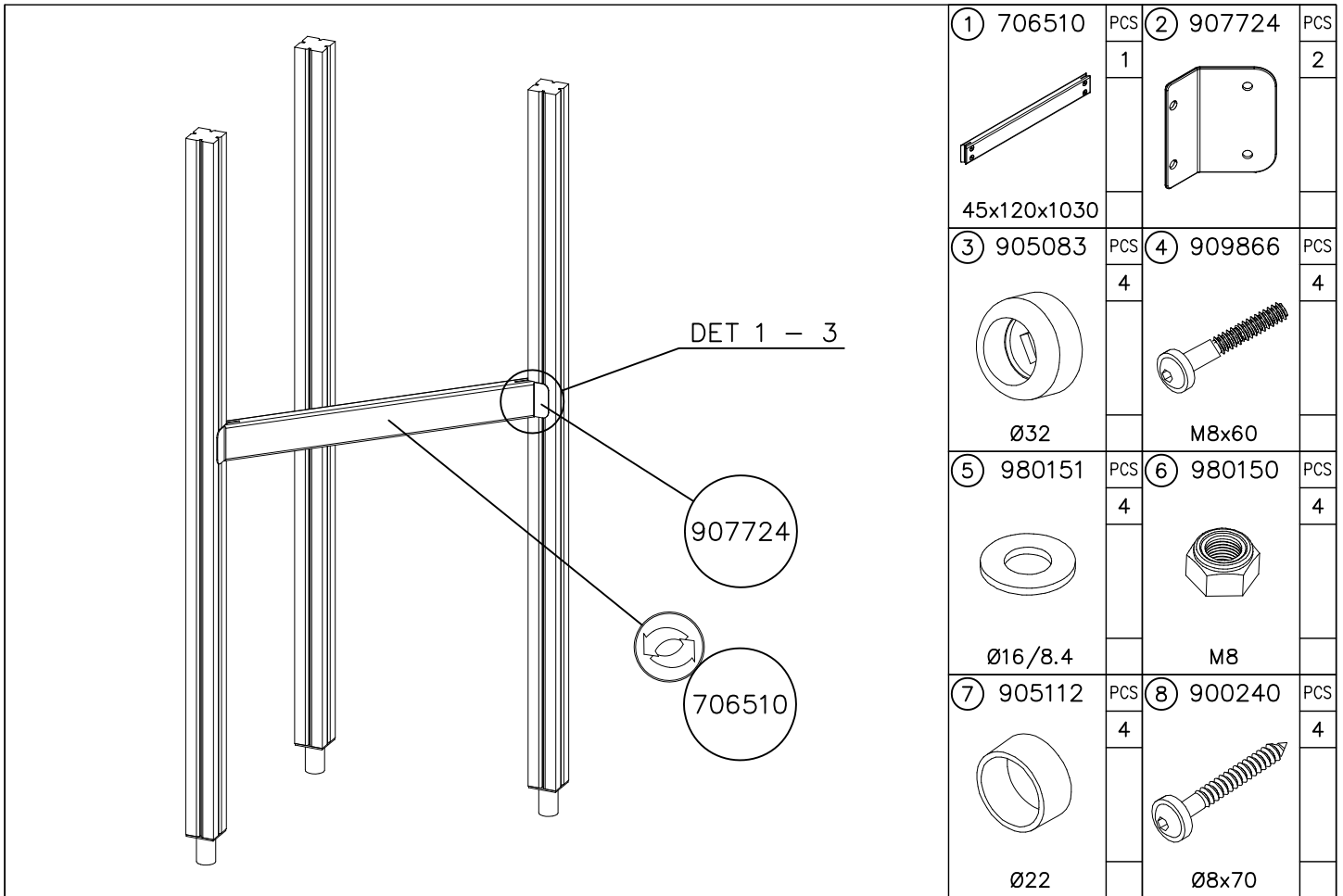
Naulanauha kannatinlistan puolelle.
Nail list to the bottom.


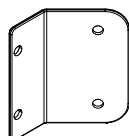
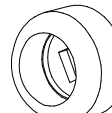
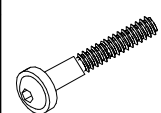
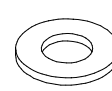
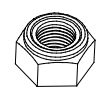
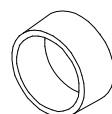
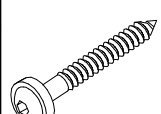


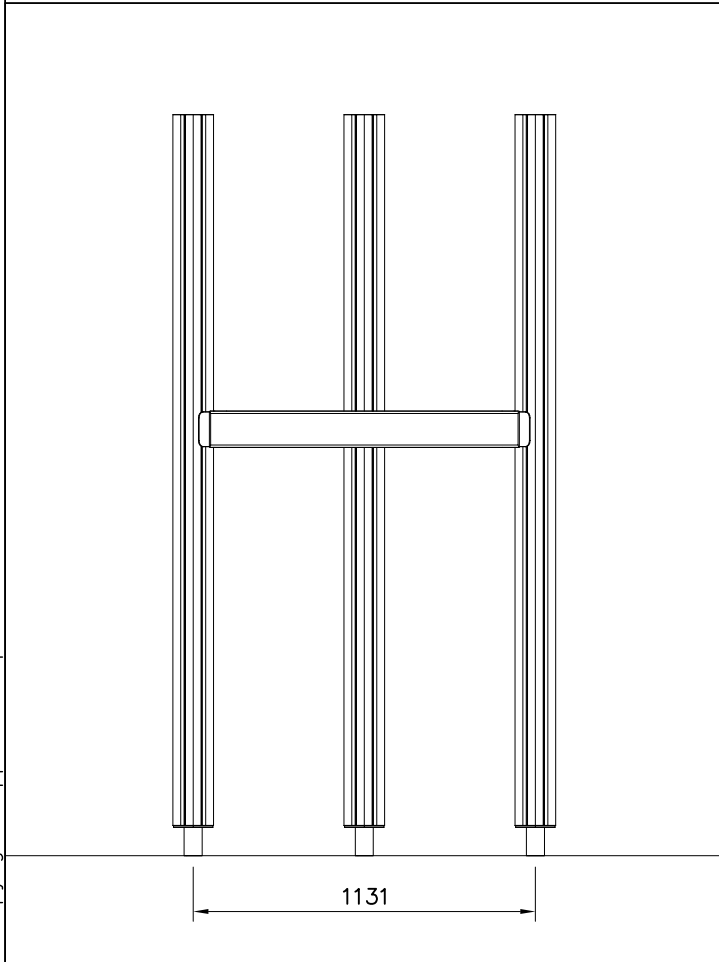
DET 3

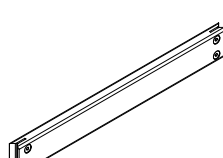




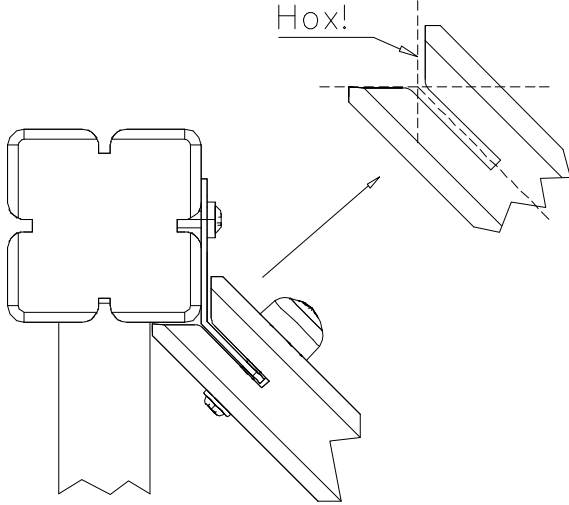


① 706510	PCS	② 907724	PCS
	1		2
45x120x1030			
③ 905083	PCS	④ 909866	PCS
	4		4
Ø32		M8x60	
⑤ 980151	PCS	⑥ 980150	PCS
	4		4
Ø16/8.4		M8	
⑦ 905112	PCS	⑧ 900240	PCS
	4		4
Ø22		Ø8x70	

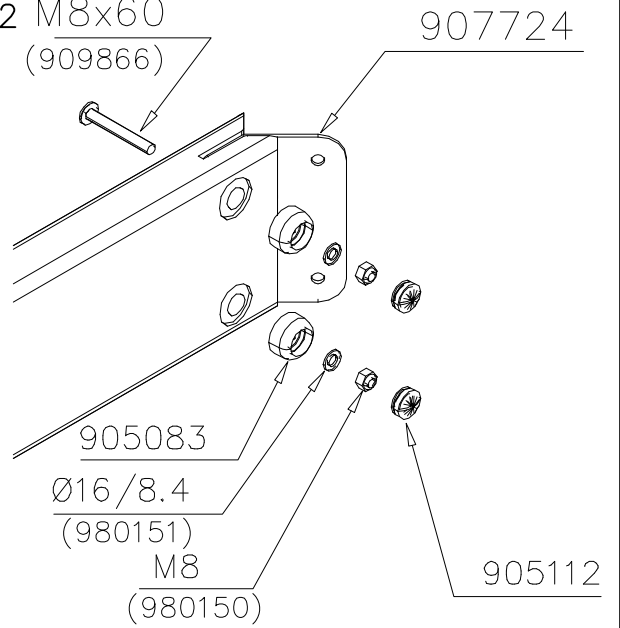


BOOM OPTIONS		
706510	706510-602	DARK BROWN
	706510-603	LIGHT BROWN
	706510-604	LIGHT GRAY
		
45x120x1030		

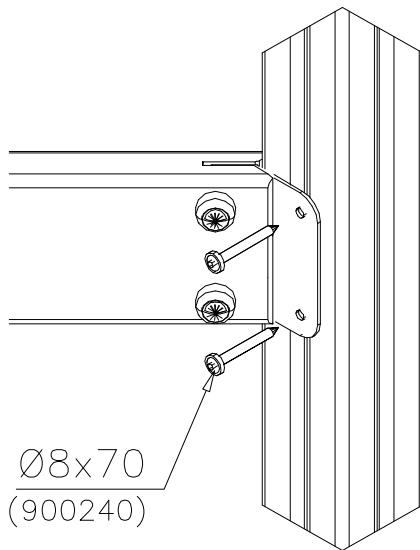
DET 1

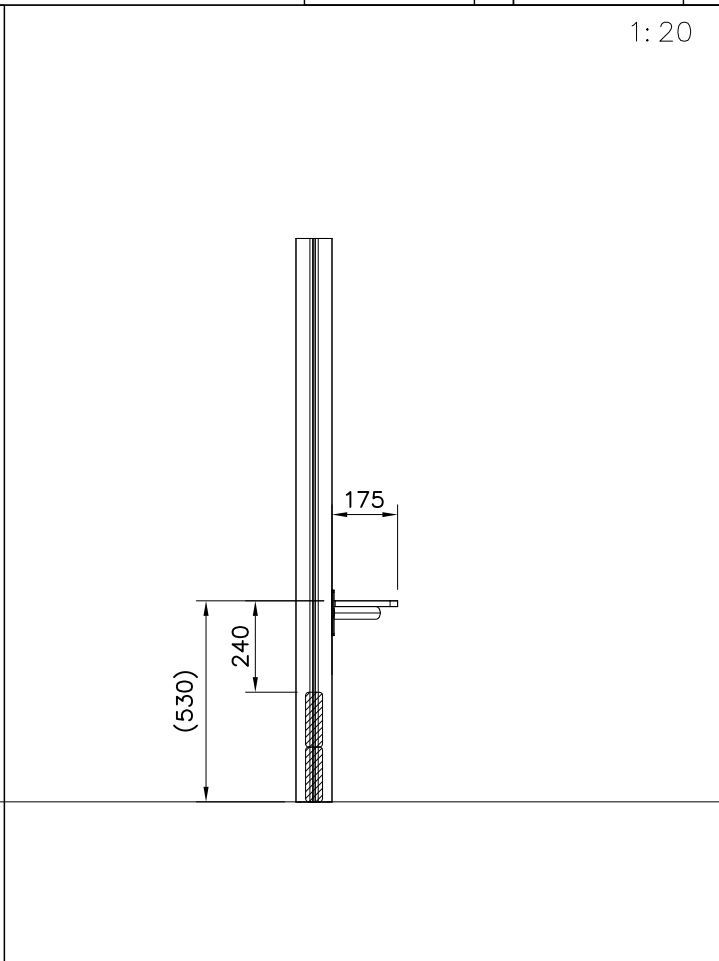
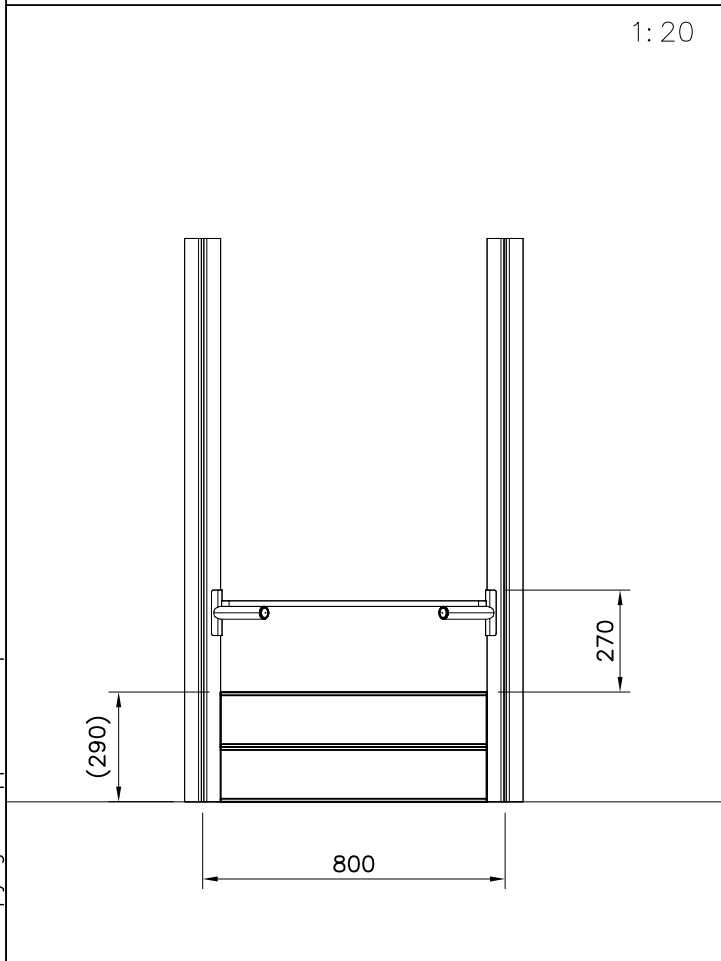
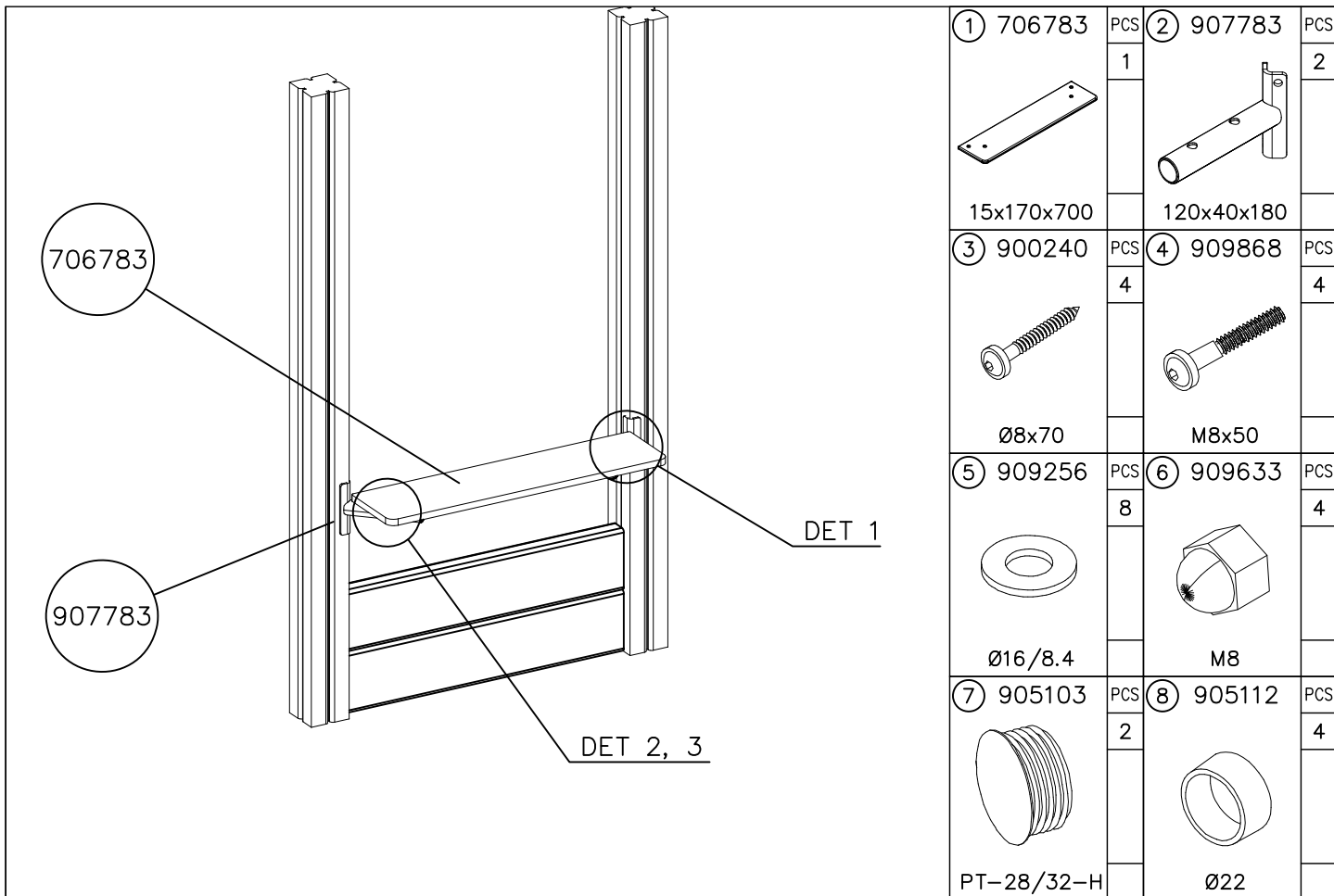


DET 2 M8x60
 (909866)



DET 3





DET 1

Pre-drill hole
 Esireikä

Ø5 ↓ 50

907783

Ø16/8.4

(909256)

Ø8x70

(900240)

DET 2

907783

905103

DET 3

905112

M8x50

(909868)

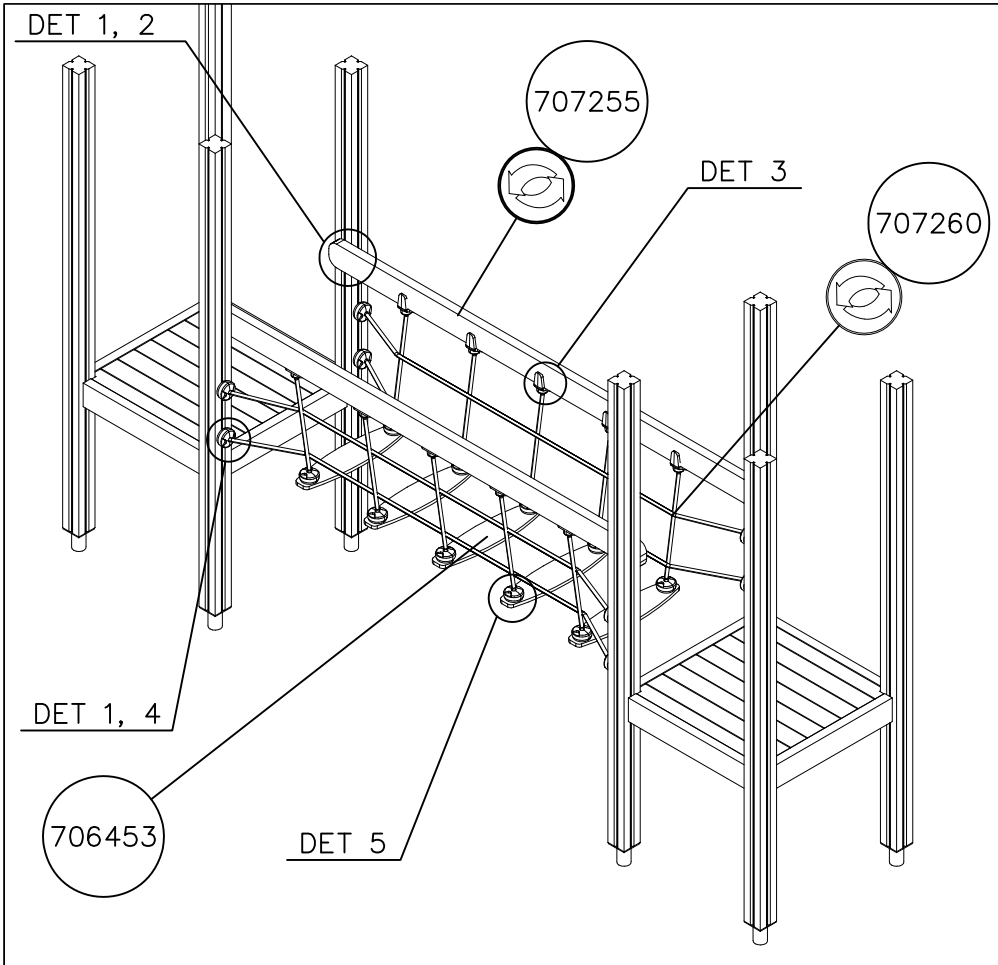
706783

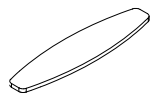
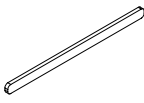
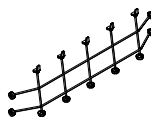
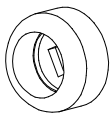
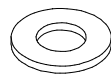

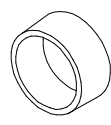

Ø16/8.4

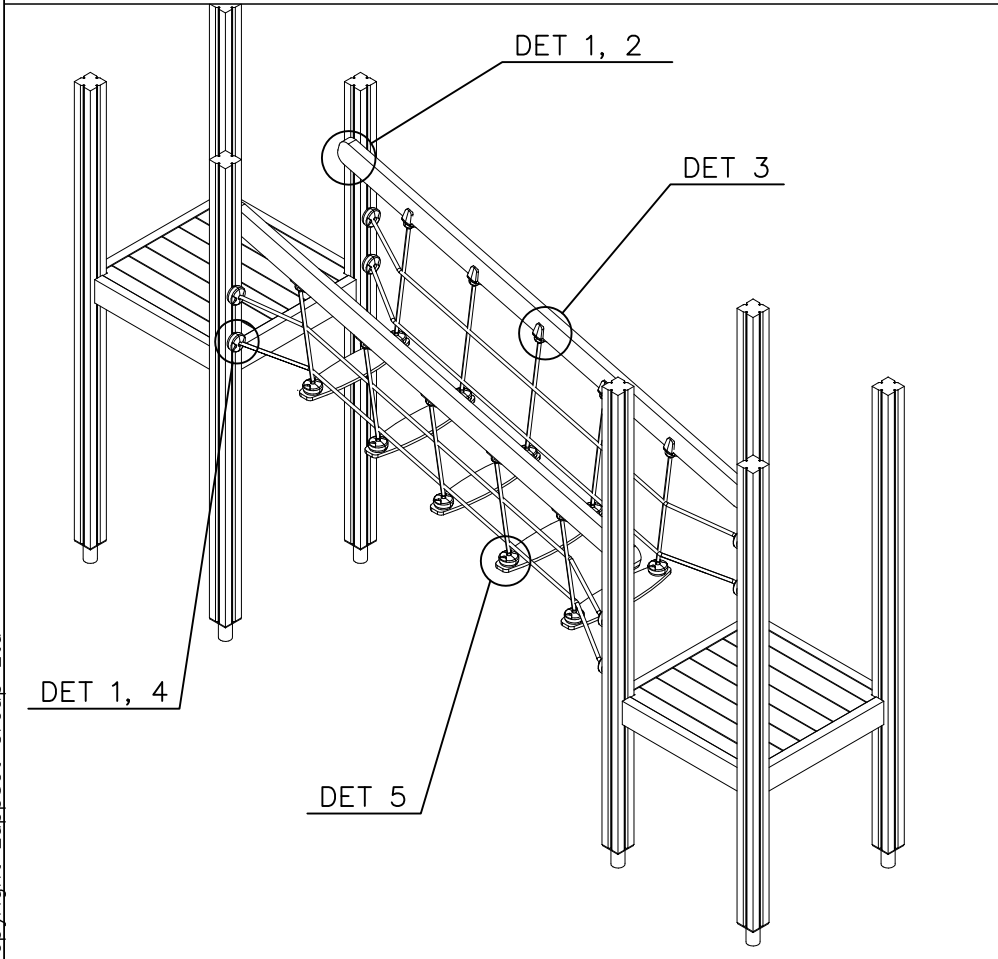
(909256)


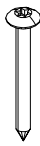
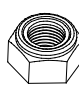
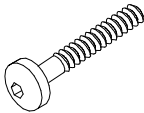
M8

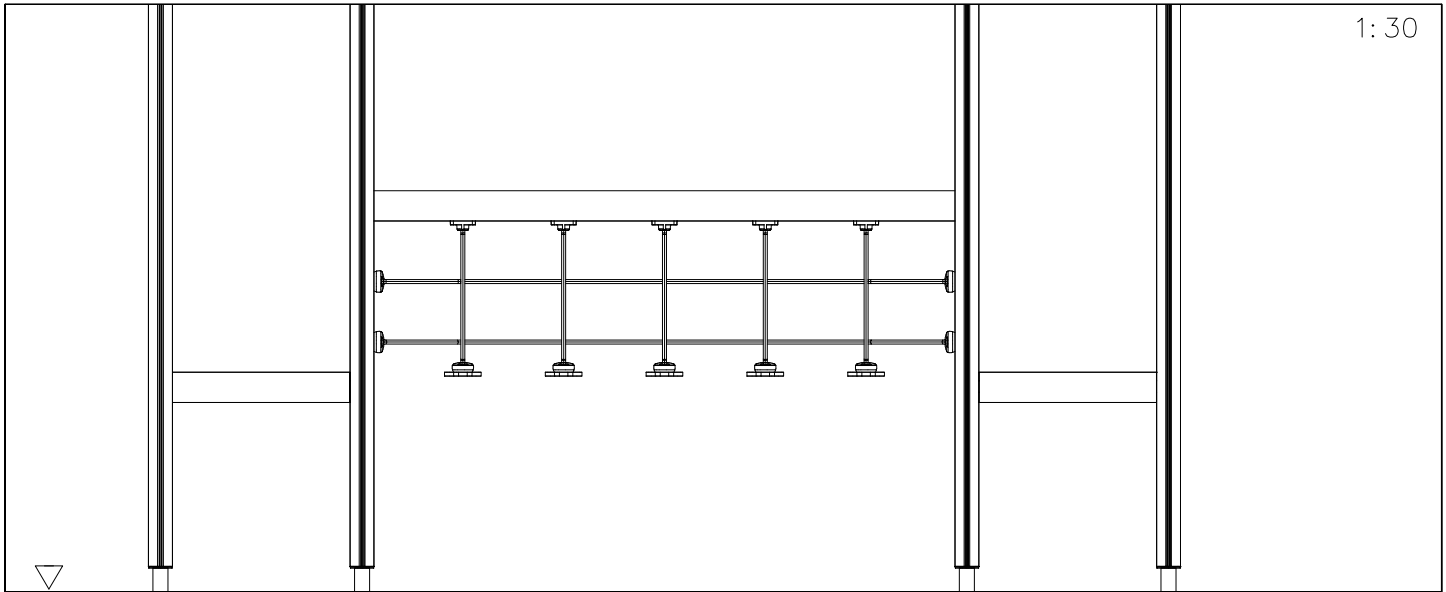
(909633)



① 706453	PCS	② 707255	PCS
	5		2
15x145x600		45x120x2480	
③ 707260	PCS	④ 905083	PCS
	2		4
2375x600		Ø32	
⑤ 980151	PCS	⑥ 909232	PCS
	4		4
Ø16/8.4		8x120	
⑦ 905112	PCS	⑧ 900240	PCS
	4		16
Ø22		Ø8x70	

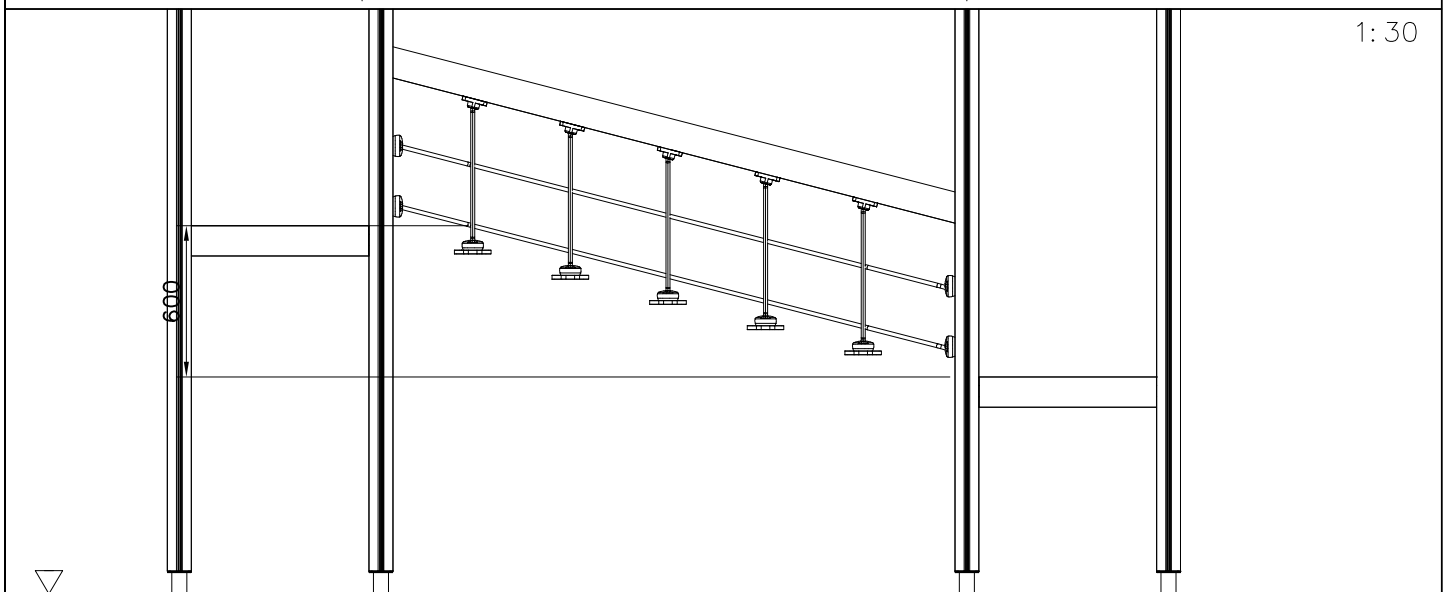


⑨ 980123	PCS	⑩ 980128	PCS
	20		10
Ø7x60		Ø7x40	
⑪ 980150	PCS	⑫ 901899	PCS
	20		20
M8		M8x45	
	PCS		PCS
	PCS		PCS



2400

1:30

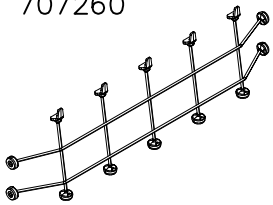


2320

1:30

NET OPTIONS

707260

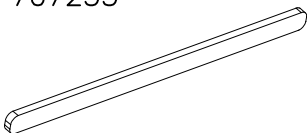


2375x600

- 707260-301 BLUE
- 707260-302 RED
- 707260-303 BEIGE
- 707260-304 GRAY
- 707260-305 BLACK
- 707260-306 YELLOW

RAILING OPTIONS

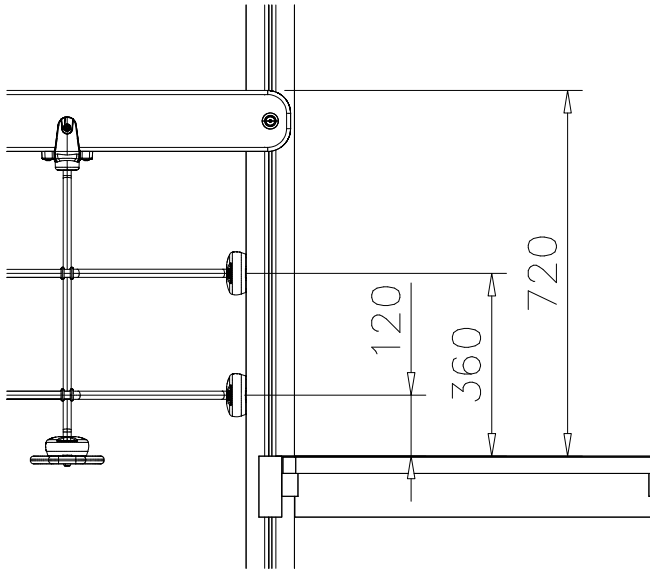
707255



45x120x2480

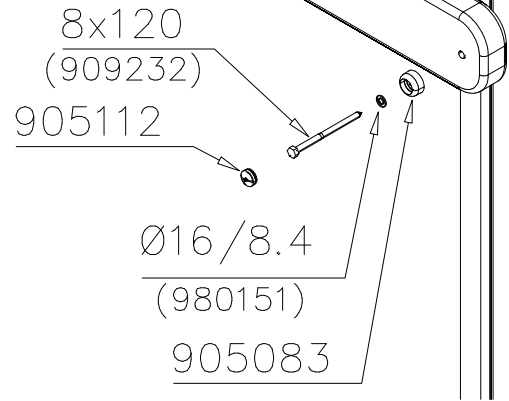
- 707255-605 DARK GRAY
- 707255-606 GRAY
- 707255-607 RED
- 707255-608 BLUE
- 707255-609 GREEN
- 707255-610 YELLOW
- 707255-611 LIME
- 707255-612 FUXIA

DET 1

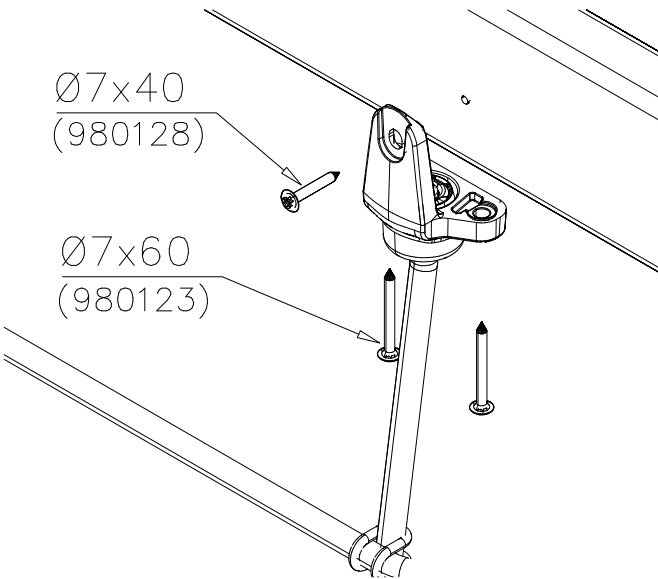


DET 2

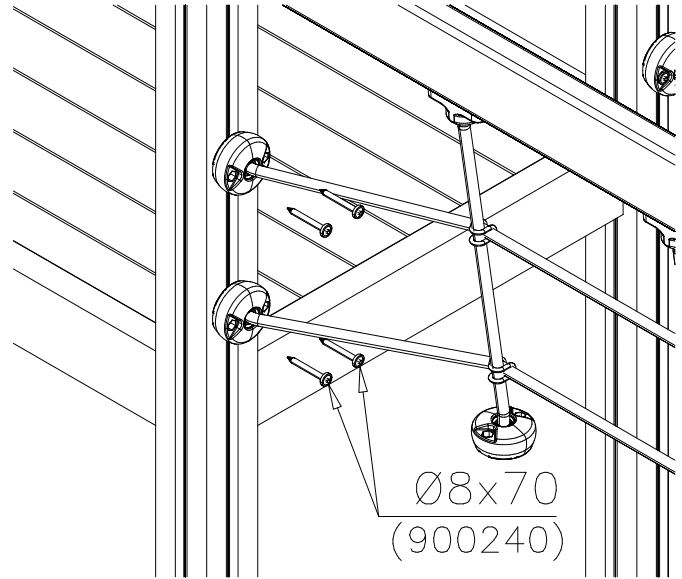
Note:
in side
Bridge



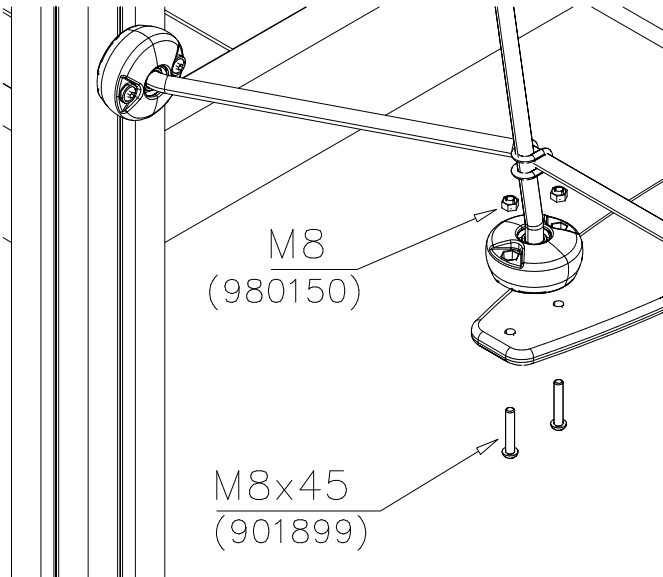
DET 3



DET 4

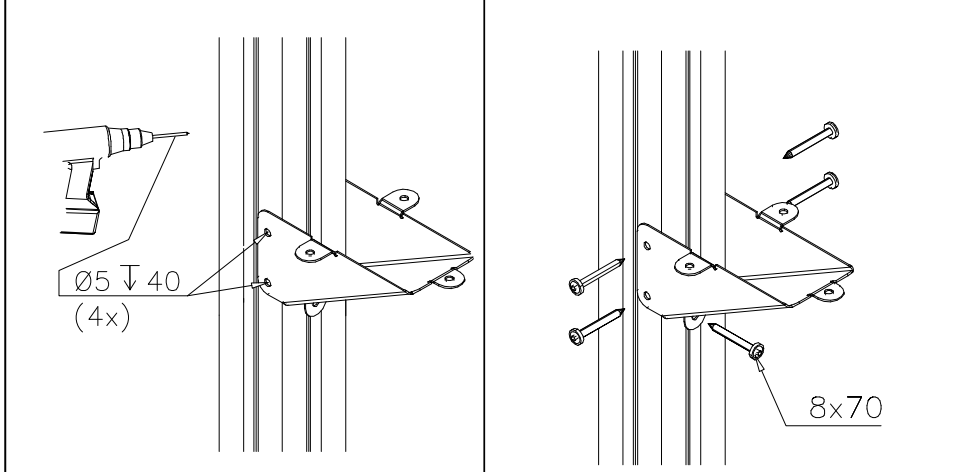
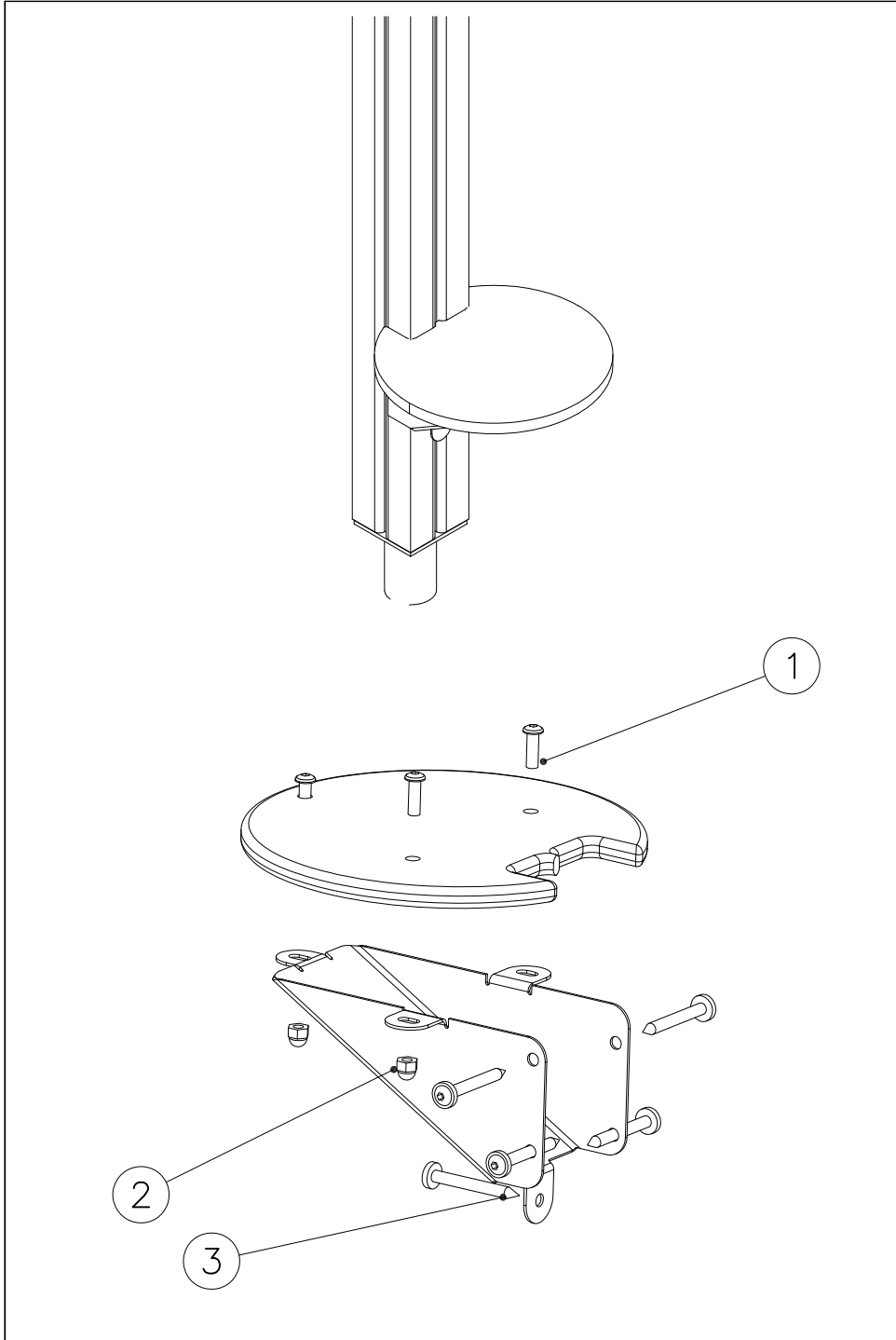





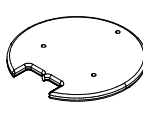
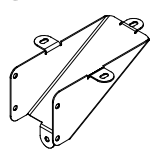
DET 5

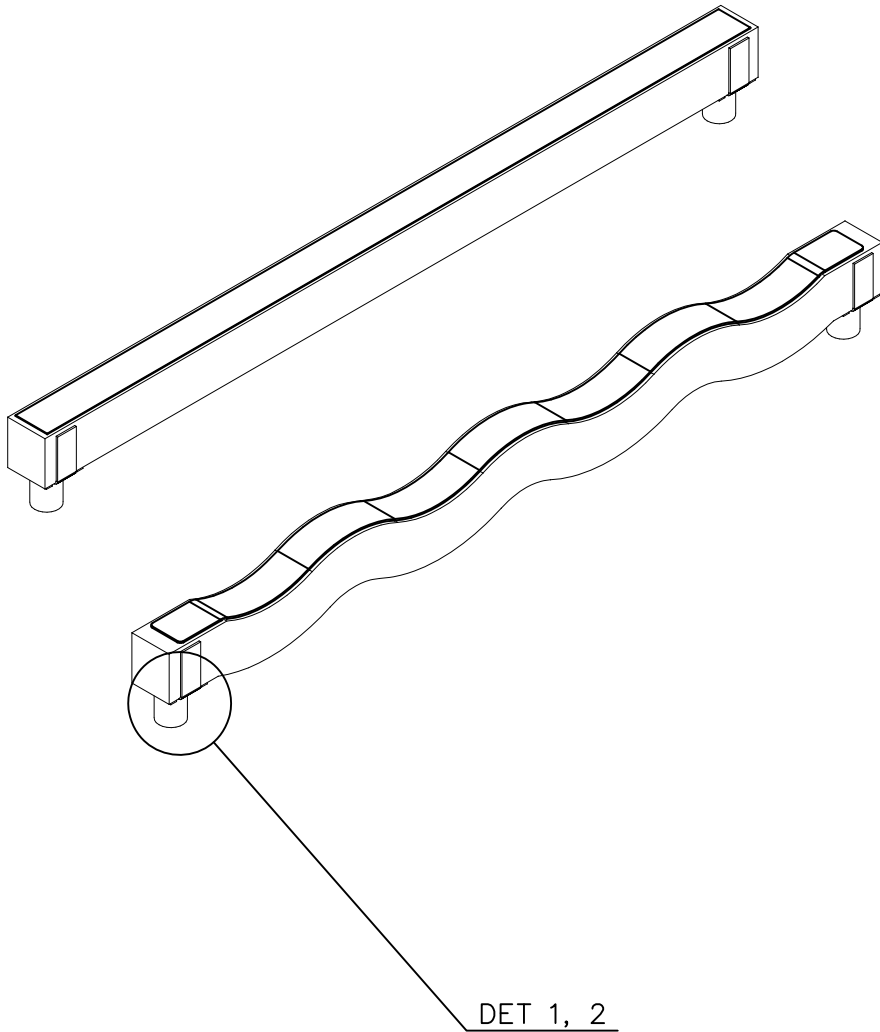


DET 6





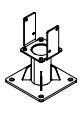
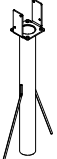




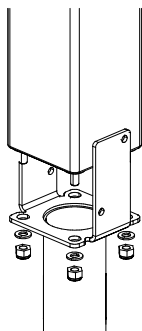
①	909850	PCS	②	909633	PCS
		3			3
	M8x25			M8	
③	900240	PCS			PCS
		5			
	Ø8x70				
		PCS			PCS
○	707696	PCS	○	902086	PCS
		1			1
	15x265x275			148x172x254	
		PCS			PCS
		PCS			PCS
		PCS			PCS
		PCS			PCS



DET 1, 2

① 980123	PCS	② 909256	PCS
	8		8
Ø7x60		Ø16/8.4	
	PCS		PCS
	PCS		PCS
	PCS		PCS
○ 705566	PCS	○ 705590	PCS
			
140x120x2294		120x200x2294	
○ 905780	PCS	○ 905761	PCS
			
SURFACE		DEEP	
	PCS		PCS
	PCS		PCS

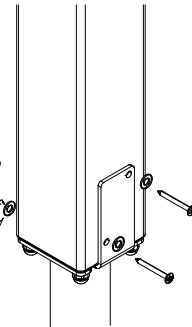
DET 1



DET 2

Ø7x60
(980123)

Ø16/8.4
(909256)

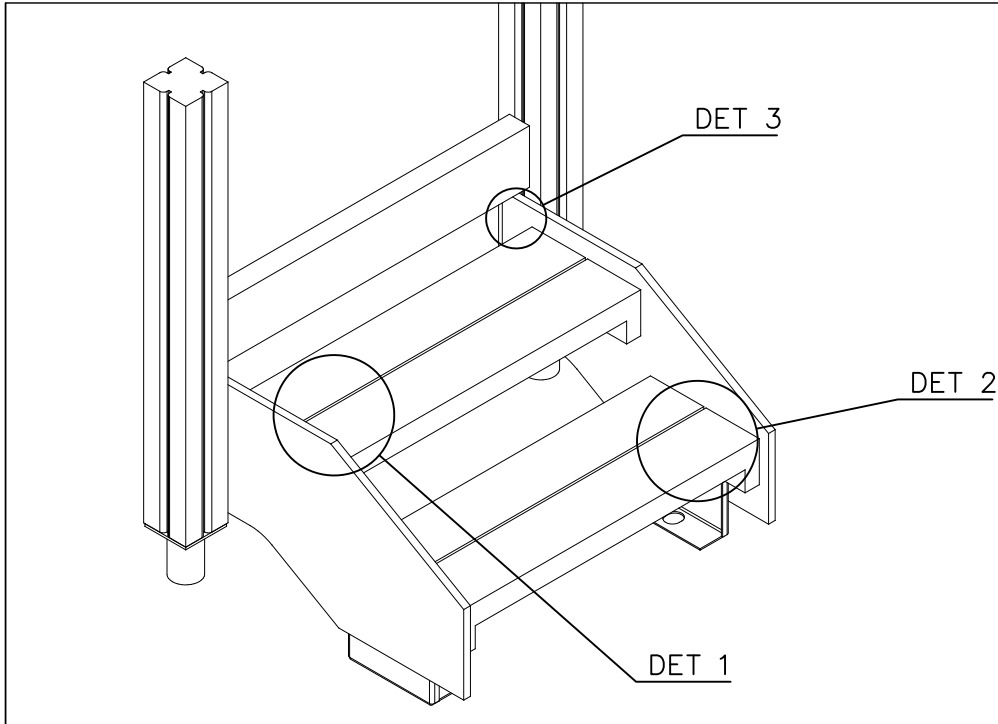







LAPPSET® FASTENER KIT

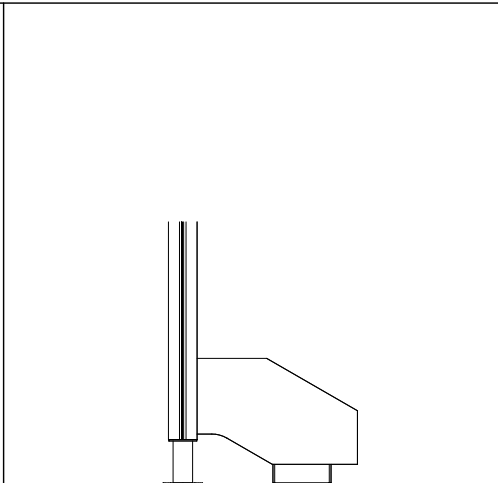
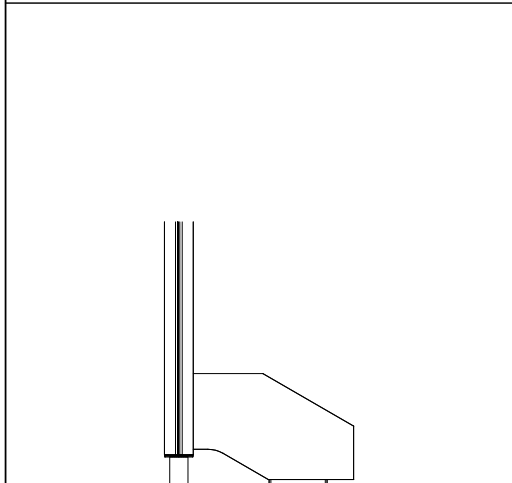
707887

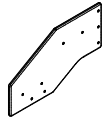
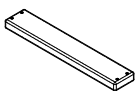
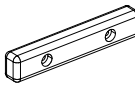
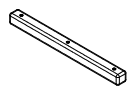
DATE: 13.3.2019

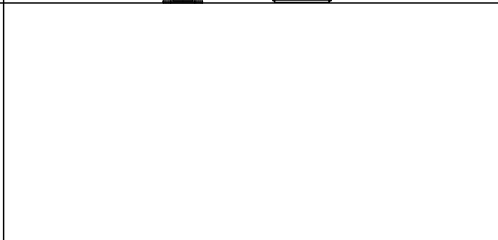
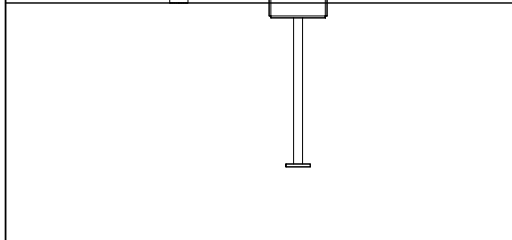
1(1)

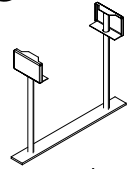
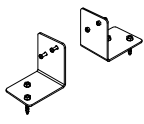


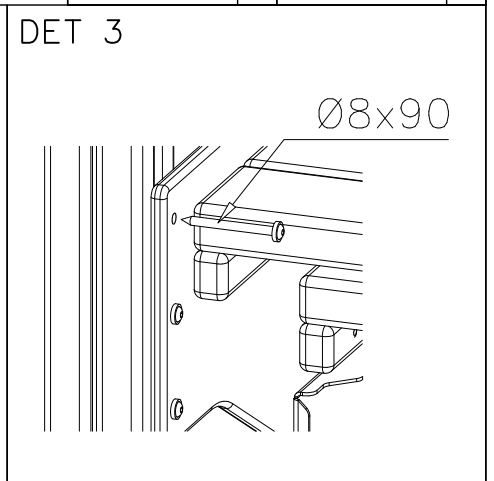
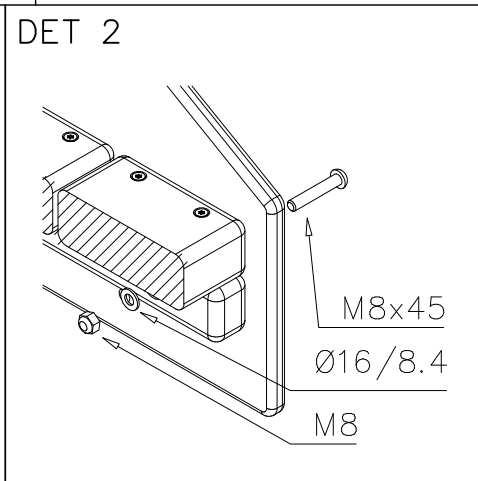
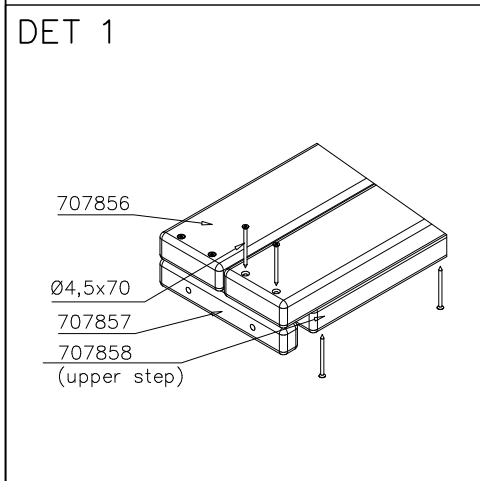
① 980160	PCS	② 901899	PCS
	8		8
M8		M8x45	
③ 903093	PCS	④ 909256	PCS
	6		8
Ø8x90		Ø16/8.4x1.6	
⑤ 980101	PCS		PCS
	19		
Ø4.5x70			



○ 707855	PCS	○ 707856	PCS
	2		4
15x600x350		45x120x672	
○ 707857	PCS	○ 707858	PCS
	4		1
32x45x245		45x45x540	



○ 704431	PCS	○ 704341	PCS
	1		1

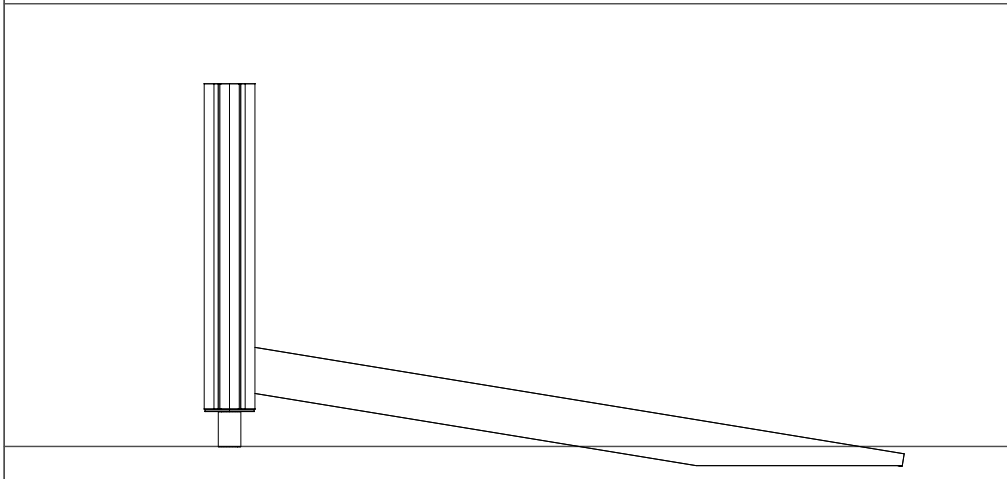
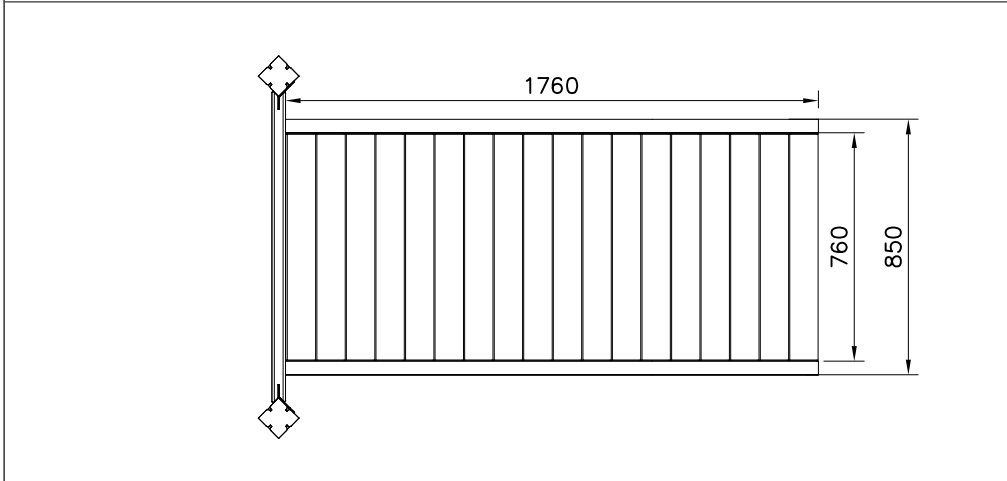
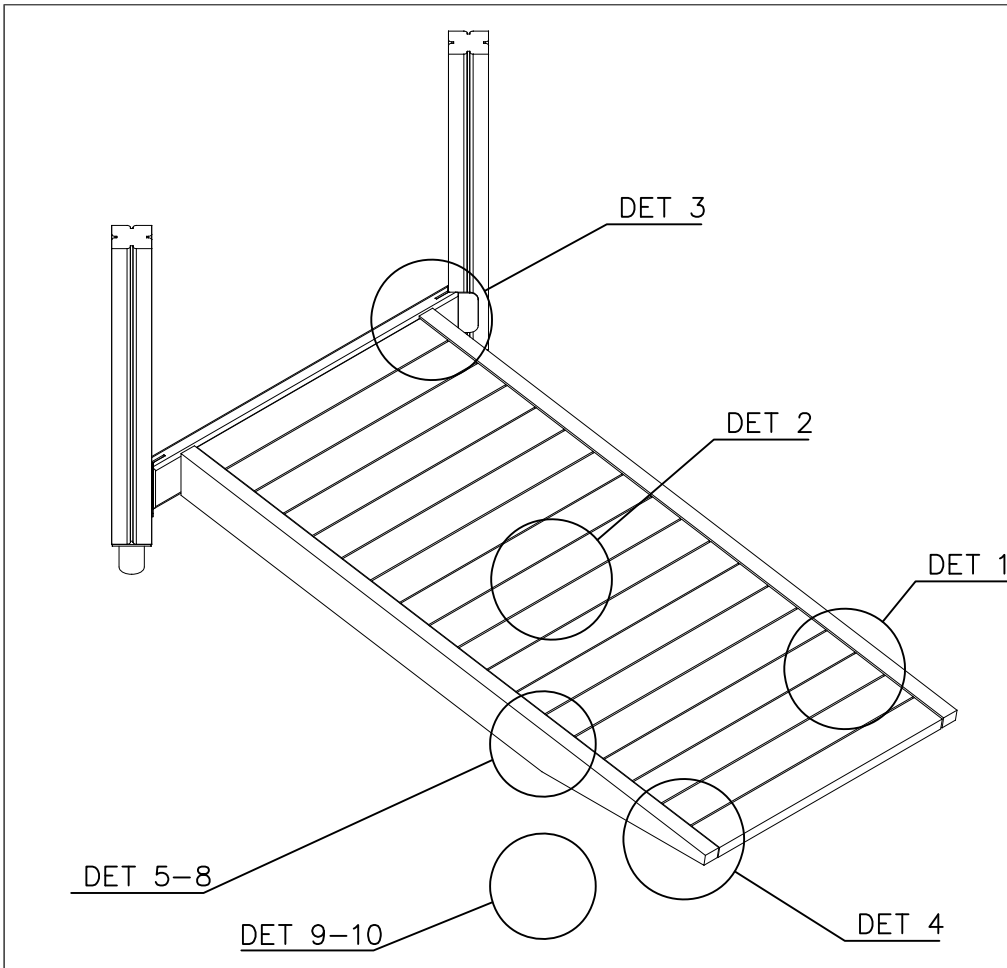


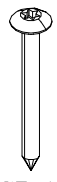
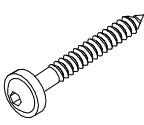

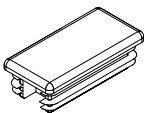

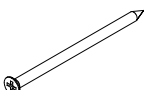

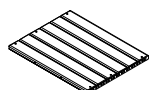
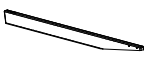
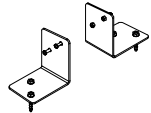

LAPPSET® FASTENER KIT

707888

DATE: 16.3.2021

1(3)



① 980128  Ø7x40	PCS 4	② 900240  Ø8x70	PCS 12
③ 903093  Ø8x90	PCS 2	④ 906942 	PCS 2
⑤ 980101  Ø4,5x70	PCS 18	⑥ 980104  Ø5x90	PCS 4
	PCS		PCS
	PCS		PCS
○ 707862  32x45x1700	PCS 2		PCS
○ 707861  750x590	PCS 3	○ 707860  45x120x1785	PCS 2
○ 704341 	PCS 1	○ 704431 	PCS 1

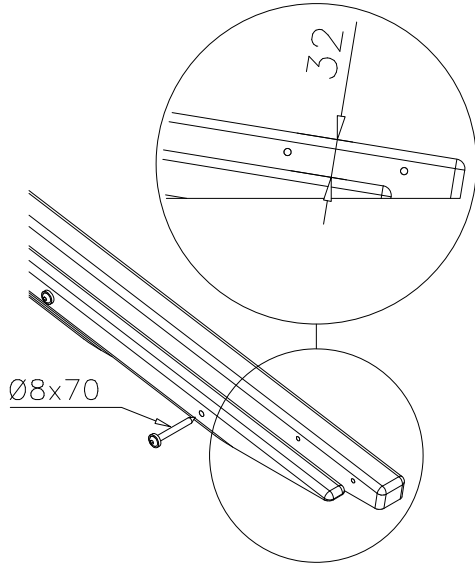
LAPPSET® FASTENER KIT

707888

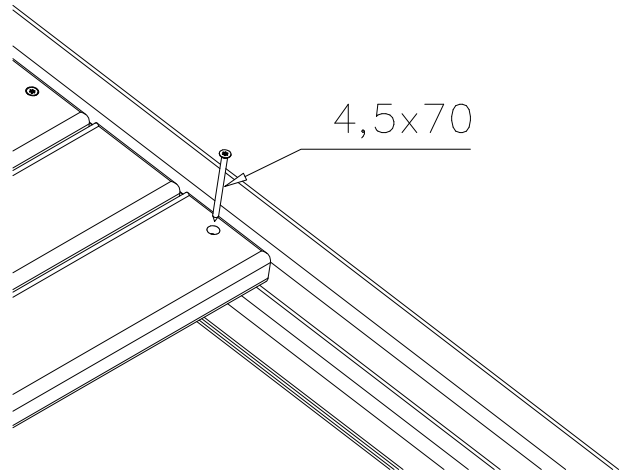
DATE: 16.3.2021

2(3)

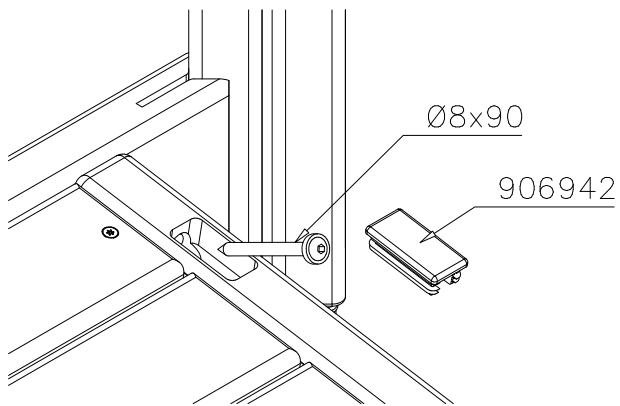
DET 1



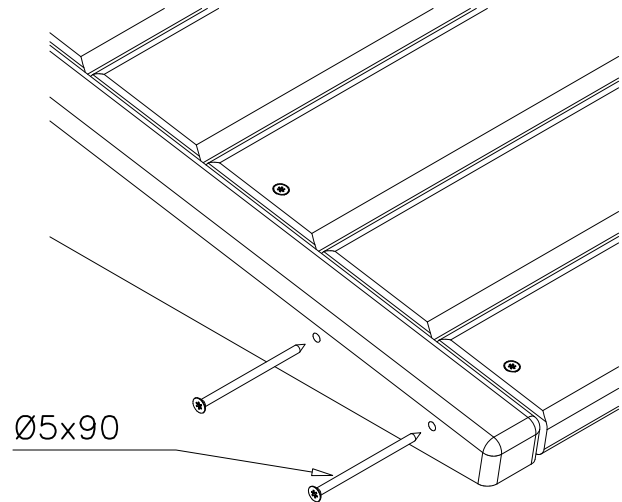
DET 2



DET 3

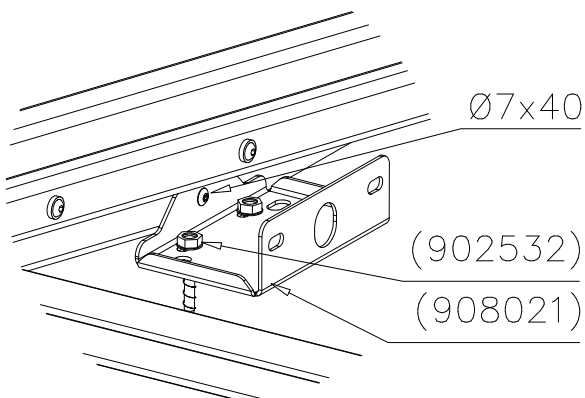


DET 4

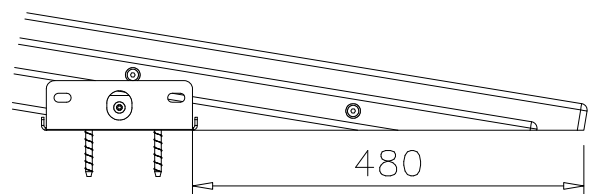


SURFACE MOUNTING (704341)

DET 5



DET 6



LAPPSET® FASTENER KIT

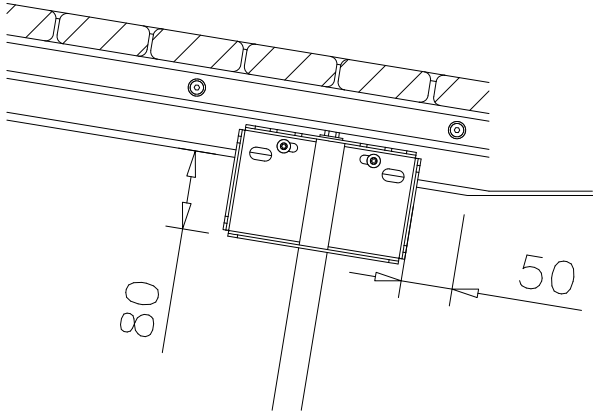
707888

DATE: 16.3.2021

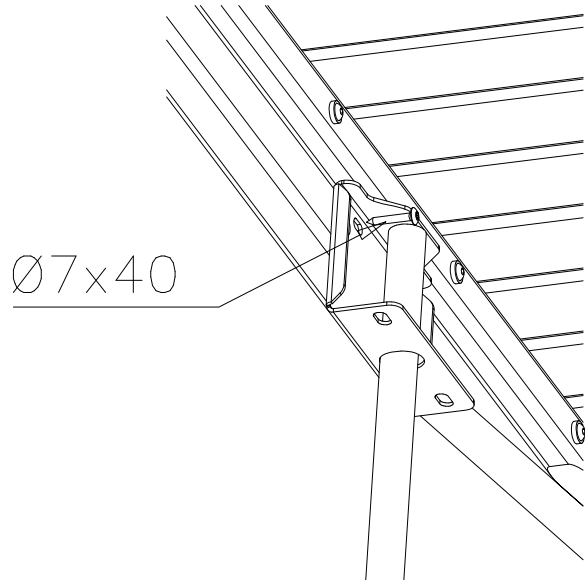
3(3)

DEEP MOUNTING (704431)

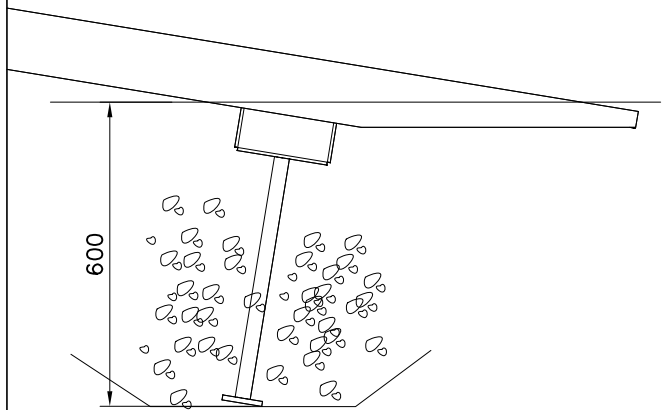
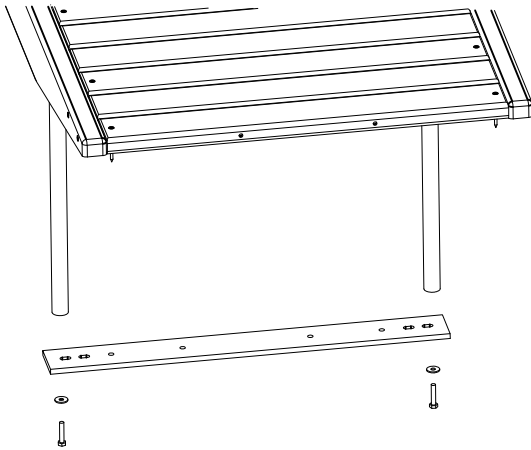
DET 7

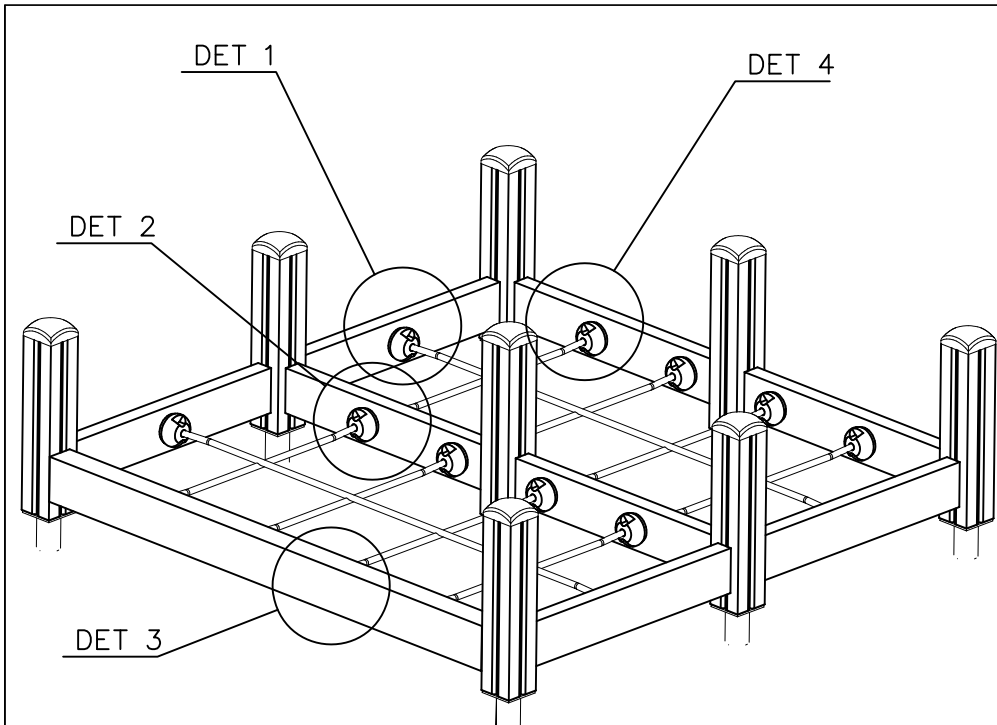



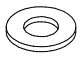
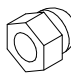
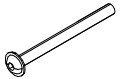
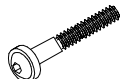

DET 8

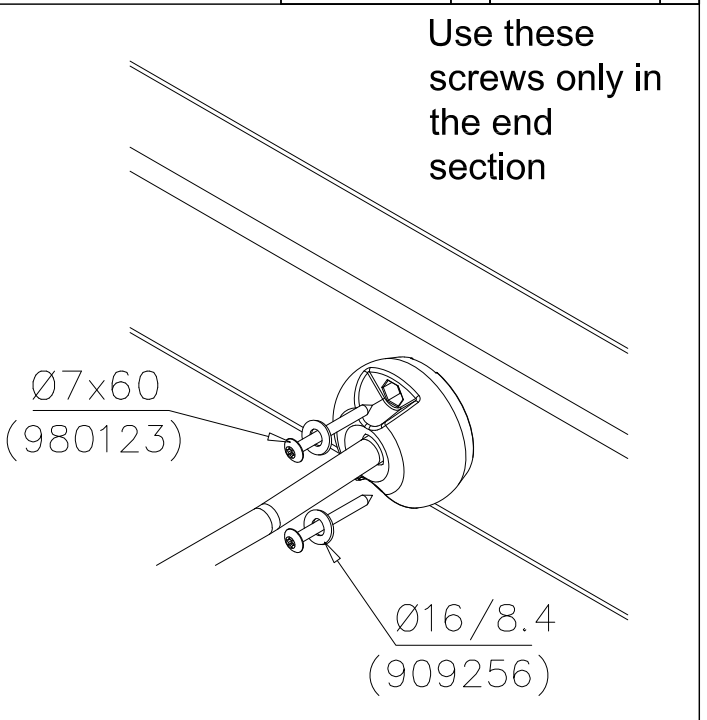
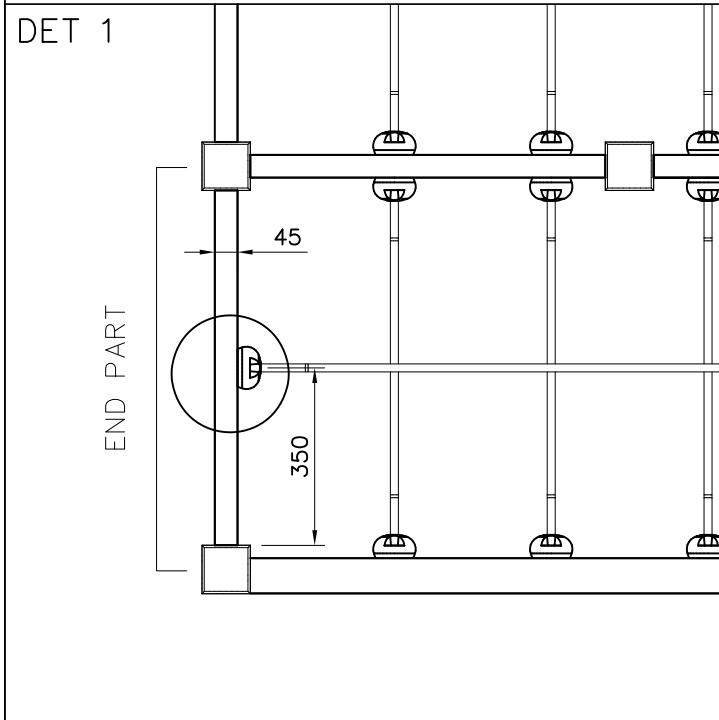


DET 9

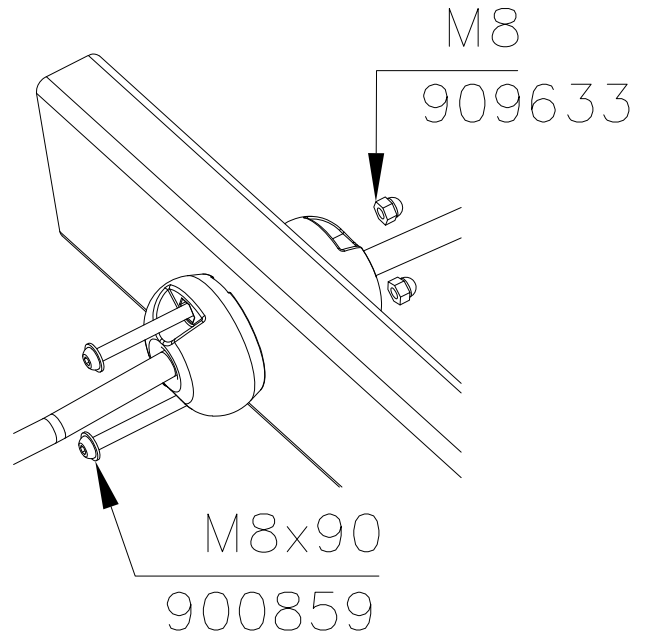
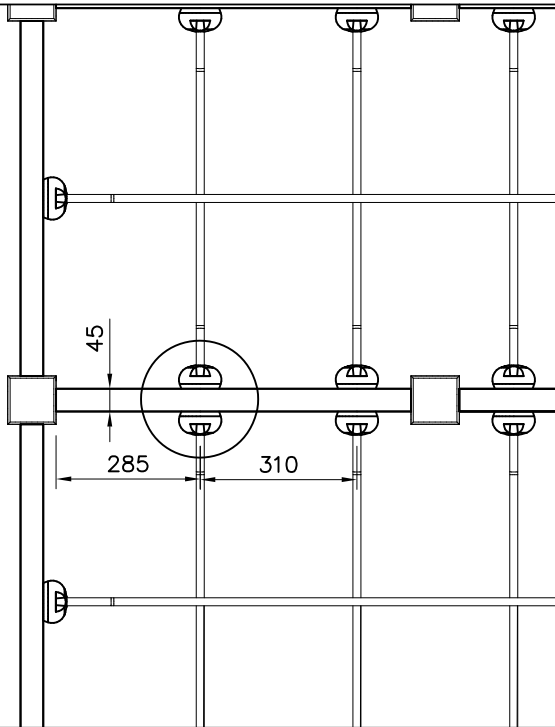




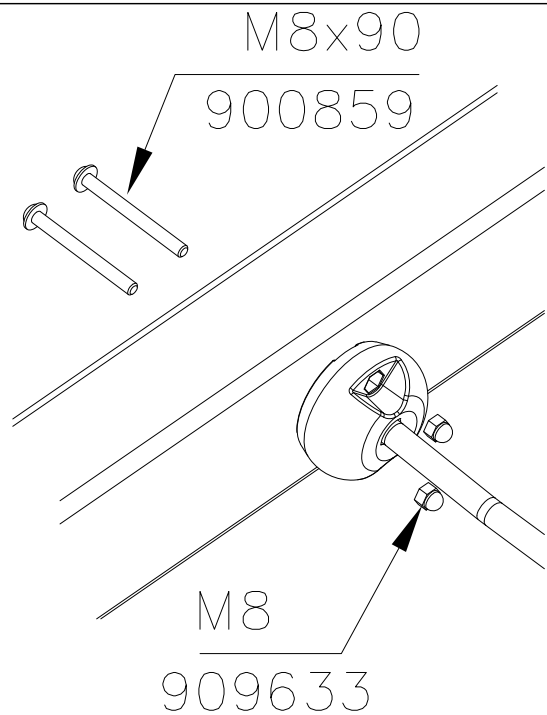
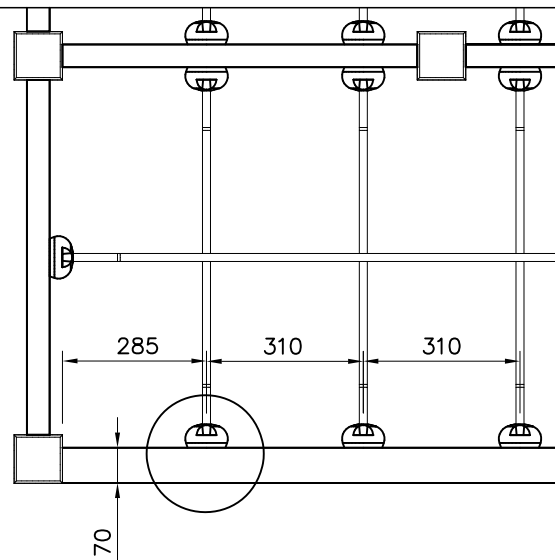
① 980123  Ø7x60	PCS 4	② 909256  Ø16/8.4	PCS 4
③ 909633  M8	PCS 16	④ 900859  M8x90	PCS 16
	PCS	⑤ 909867  M8x70	PCS 16
	PCS		PCS
	PCS	○ 707893  755x1555	PCS



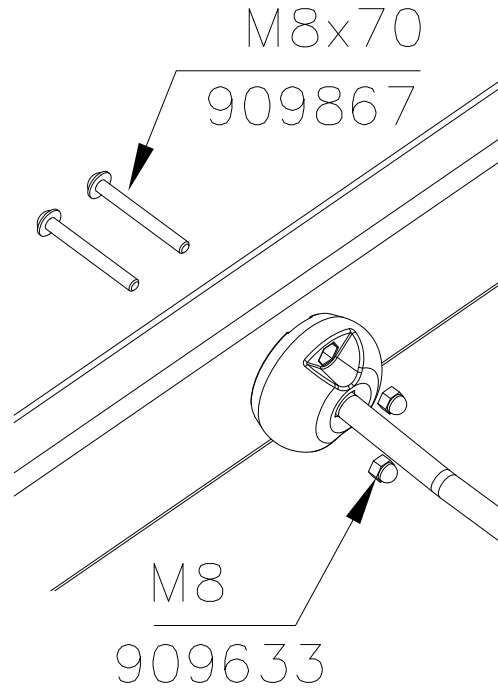
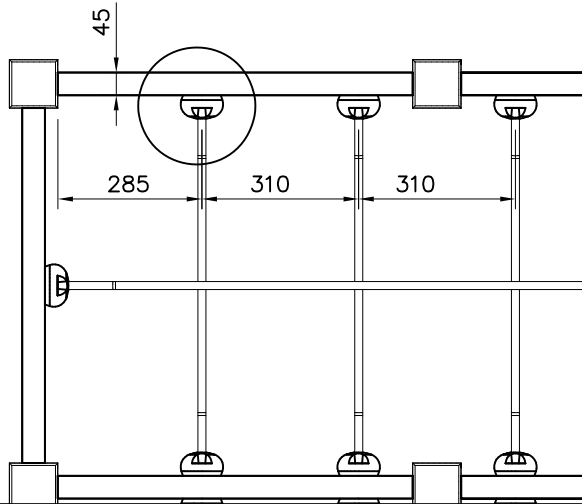
DET 2



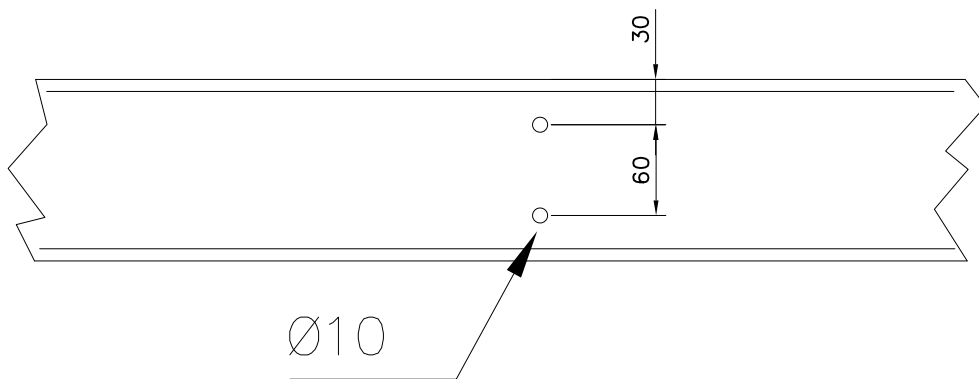
DET 3

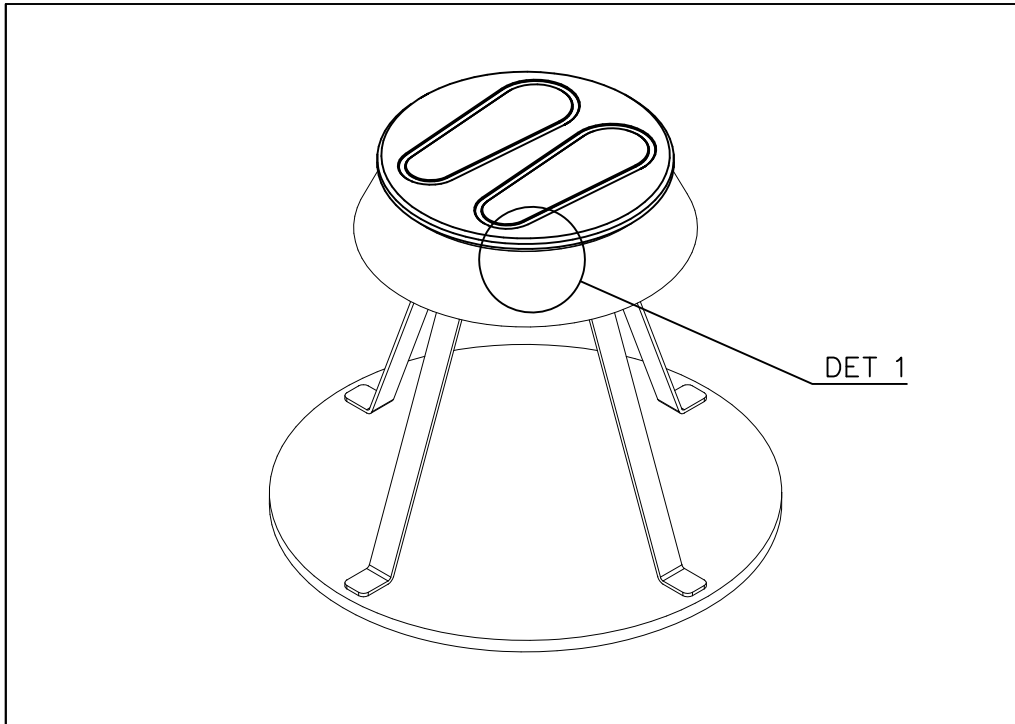


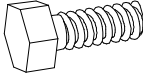
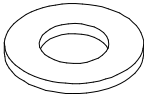
DET 4

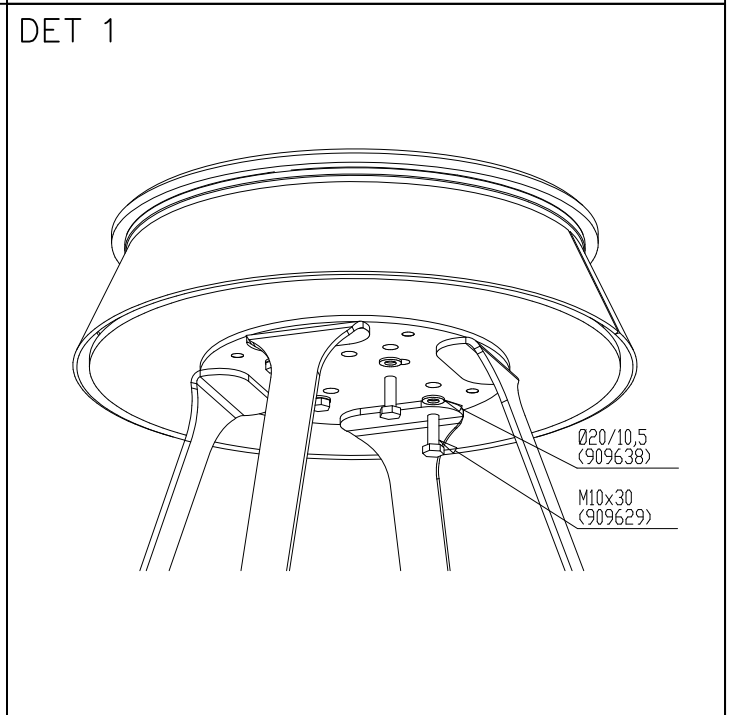
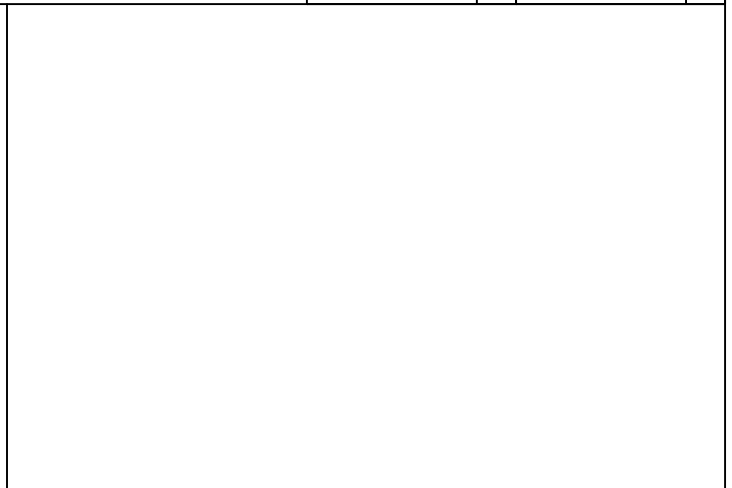
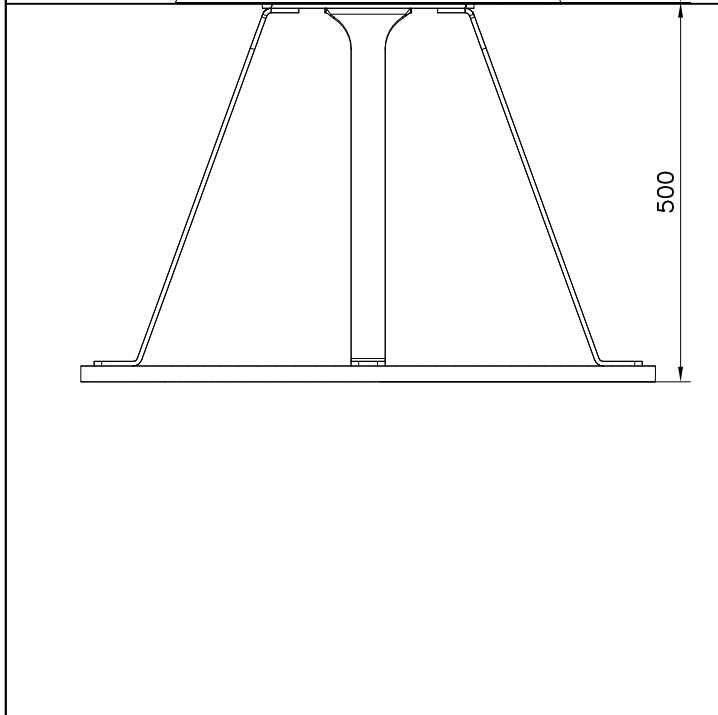
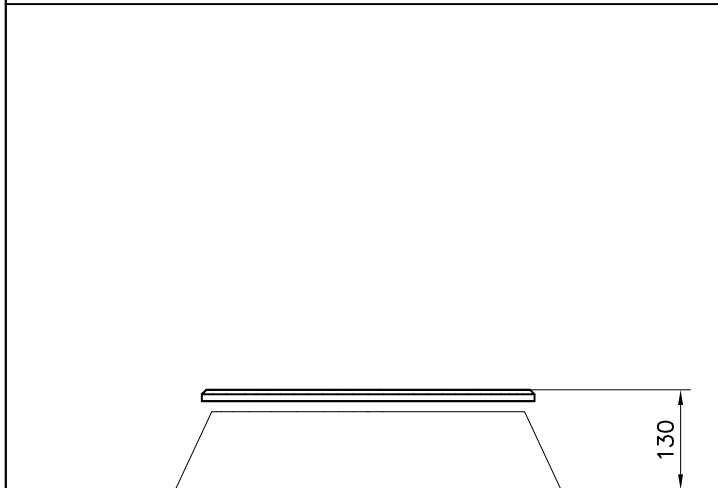


Drill the necessary holes in the booms
(Dets 2-4)





① 909629	PCS	② 909638	PCS
	4		4
M10x30		Ø20/10,5	
	PCS		PCS
	PCS		PCS

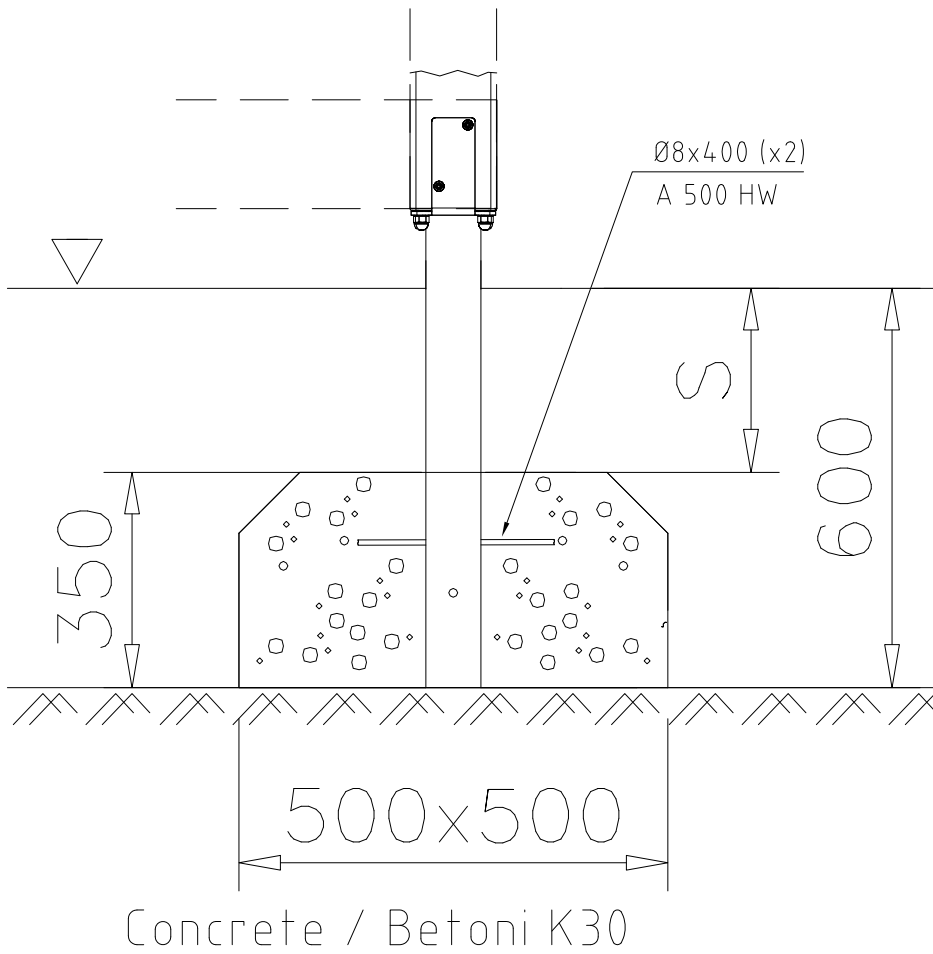




LAPPSET® CONC. FOUNDATION

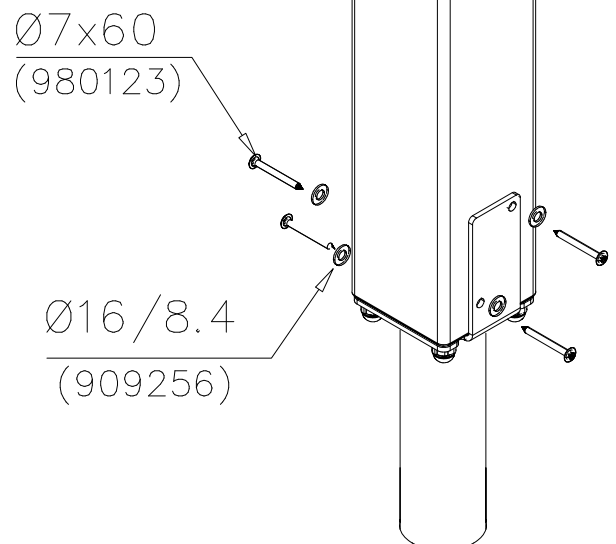
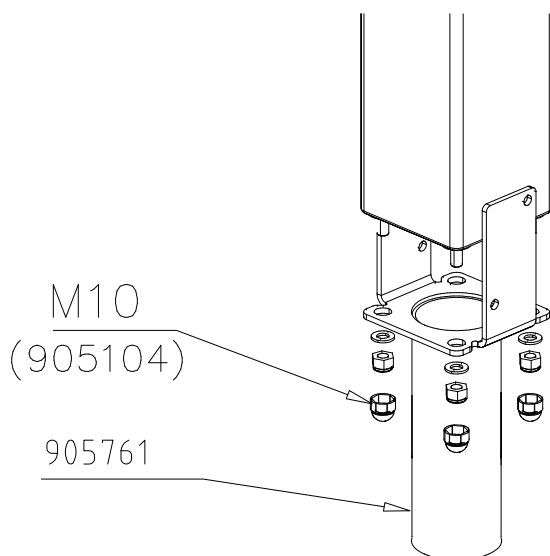
FOOT 120x120 POST & BEAM

DATE: 21.4.2016

4A



① 905104	PCS		PCS
	4		
			
M10			
	PCS		PCS
	PCS		PCS
	PCS		PCS
○ 905761	PCS		PCS
			
CONCRETE			



**Tuotekyltti tulee tuotteen mukana yhdellä seuraavista tavoista:****1) Metallinen tuotekyltti ja kiinnitysruuvit**

- Kiinnitä tuotekyltti ruuveilla tolppaan noin 2 metrin korkeuteen kuvan 1 mukaisesti.

2) Tuotekylttitarra

- Puhdista maalattu metalli- tai vaneripinta pölystä ja kosteudesta. Liimaa tarra kuvan 2 mukaisesti.
- Huom. Älä kiinnitä tarraa karheapintaiseen laminaattiin tai maalattuun puuhun.

Vår produktmärkning levereras på ett av följande sätt:**1) Produktskylt i metall**

- Fäst skylten med de medföljande skruvarna

2) Självhäftande produktetikett

- Rengör den pulverlackerade metallytan eller laminatyten så att den blir fri från smuts och fukt. Fäst etiketten enligt fig. 2.
- Obs! Fäst ej etiketten på detaljer med skrovlig yta eller på målat trä.

Product label is delivered by one of following ways:**1) Metal product label and screws**

- Fasten the label with screws.

2) Label sticker

- Clean the painted metal or plywood surface from dirt and moisture. Fasten the sticker as shown in the figure 2.
- Note. Do not attach the sticker to rough surfaced laminate or painted wood.

La plaque d'informations produit est livrée sous l'une de ces 3 formes :**1) Plaque métallique et vis**

- Fixez la plaque à l'aide des vis.

2) Etiquette autocollante

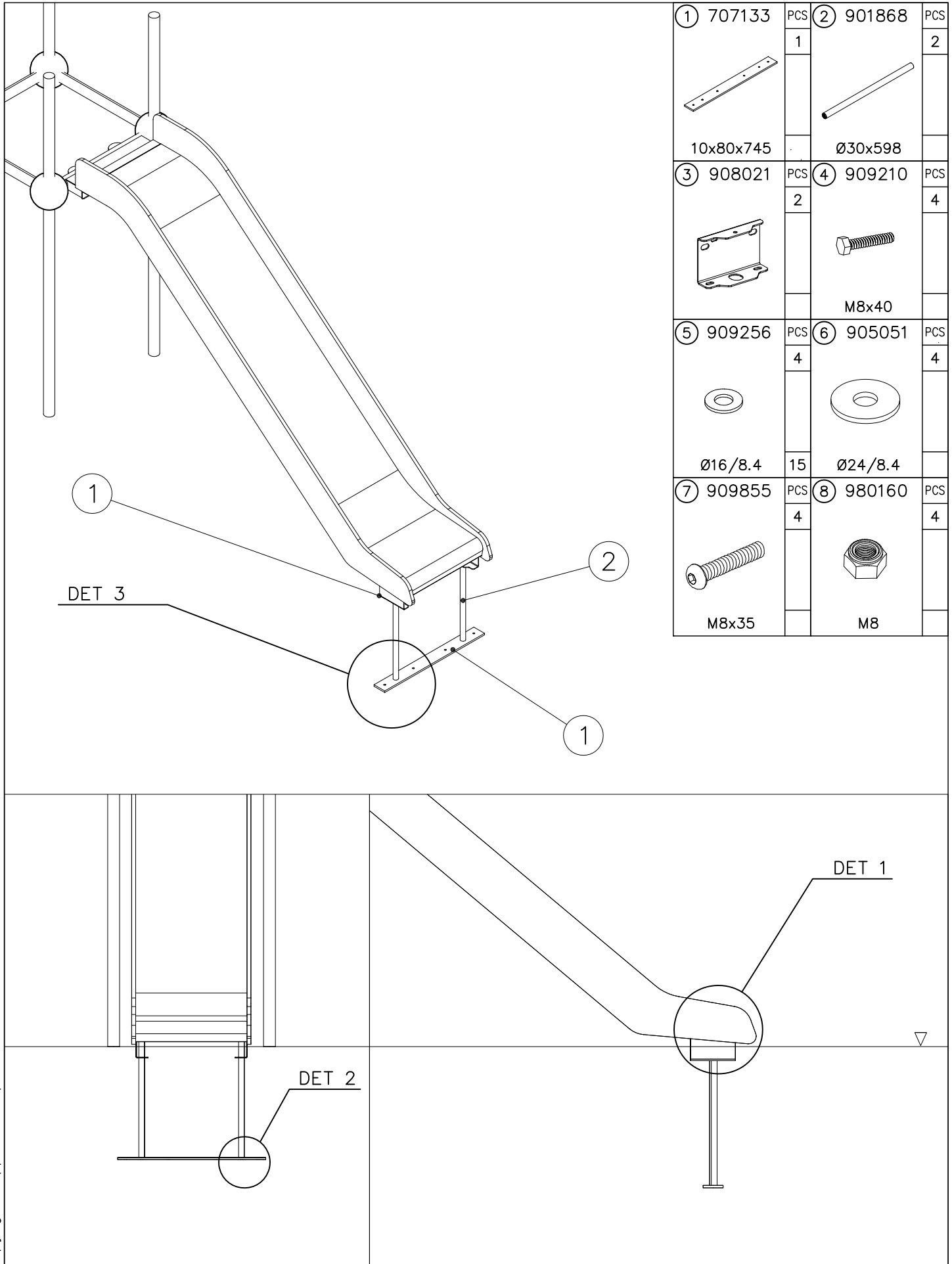
- Avant de coller l'étiquette, nettoyez le composant métallique peint ou la plaque de contreplaqué, de toute saleté. La surface doit être sèche (voir image 2).
- Attention, ne pas coller l'étiquette sur une surface lamellé-collée irrégulière ou sur du bois peint.

Die Auslieferung des Produktaufklebers erfolgt auf eine dieser Arten:**1) Produkt-Schild aus Metall incl. Schrauben**

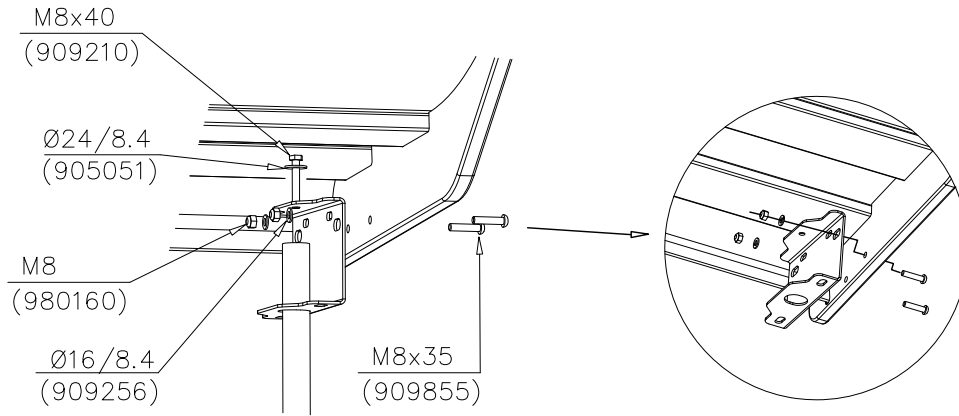
- Die Befestigung des Schildes erfolgt mittels der Schrauben.

2) Aufkleber

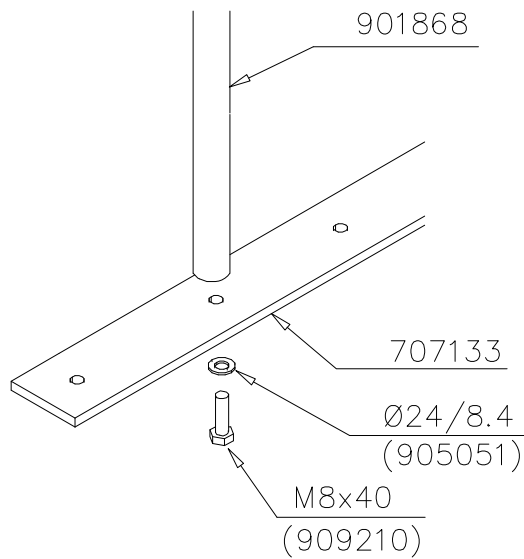
- Entfernen Sie zunächst Schmutz und Feuchtigkeit vom lackierten Metall bzw. von der Holzoberfläche und bringen Sie den Aufkleber wie im Bild oben rechts beschrieben auf den gesäuberten Untergrund auf.
- Beachten Sie: Bringen Sie den Aufkleber nicht auf raues laminiertes oder lackiertes Holz an.



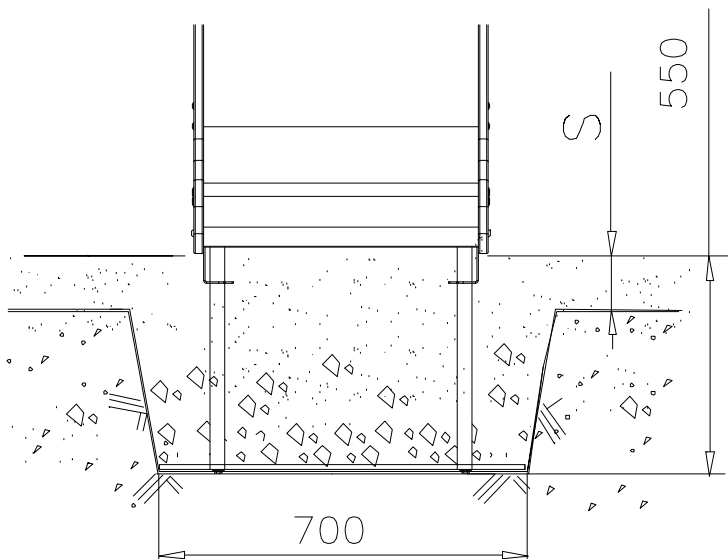
DET 1



DET 2



DET 3

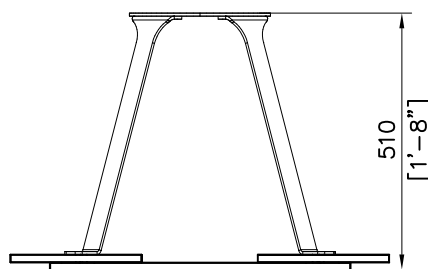
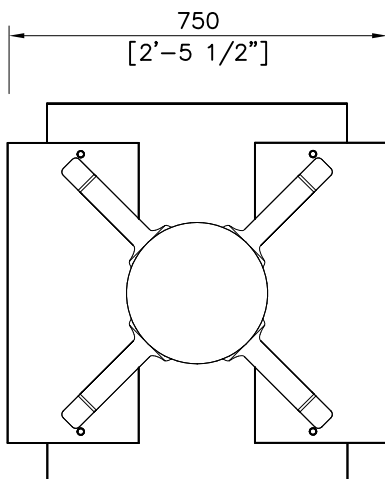
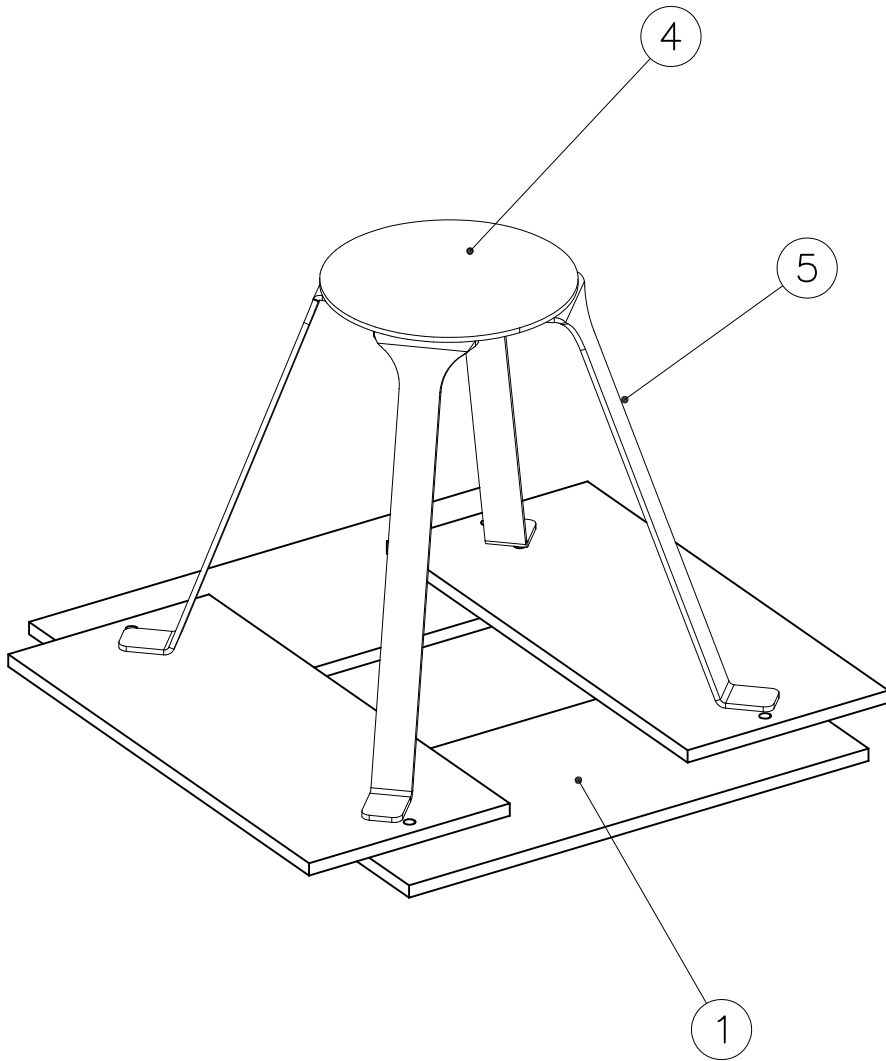


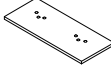

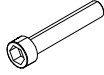




LAPPSET® GROUNDING

705101

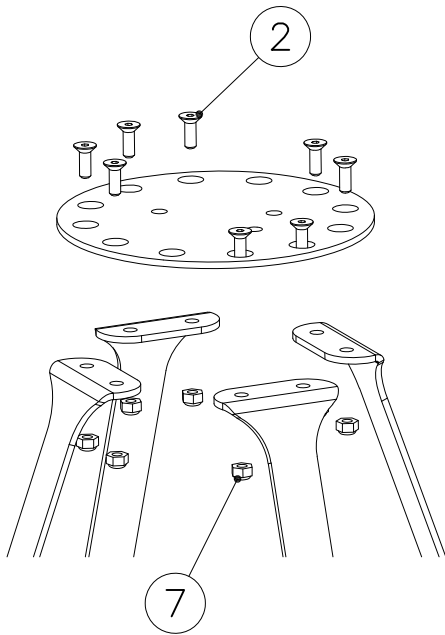
DATE: 5.6.2023

1(2)

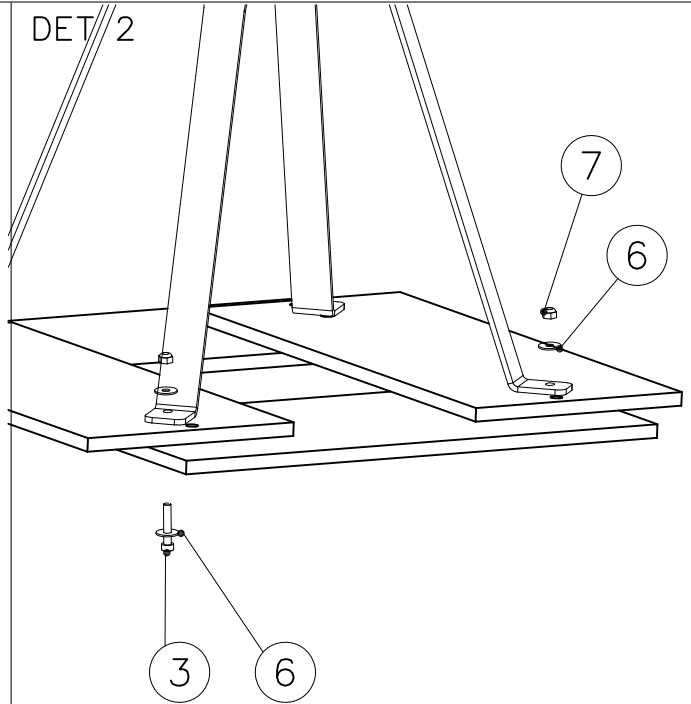


①	707138	PCS	②	900958	PCS
		4			8
	260x595			M10x30	
③	902232	PCS	④	905993	PCS
		4			1
	M10x55				
⑤	906000	PCS	⑥	909255	PCS
		4			8
				Ø30/10.5	
⑦	980161	PCS			PCS
		12			
	M10				
		PCS			PCS
		PCS			PCS
		PCS			PCS

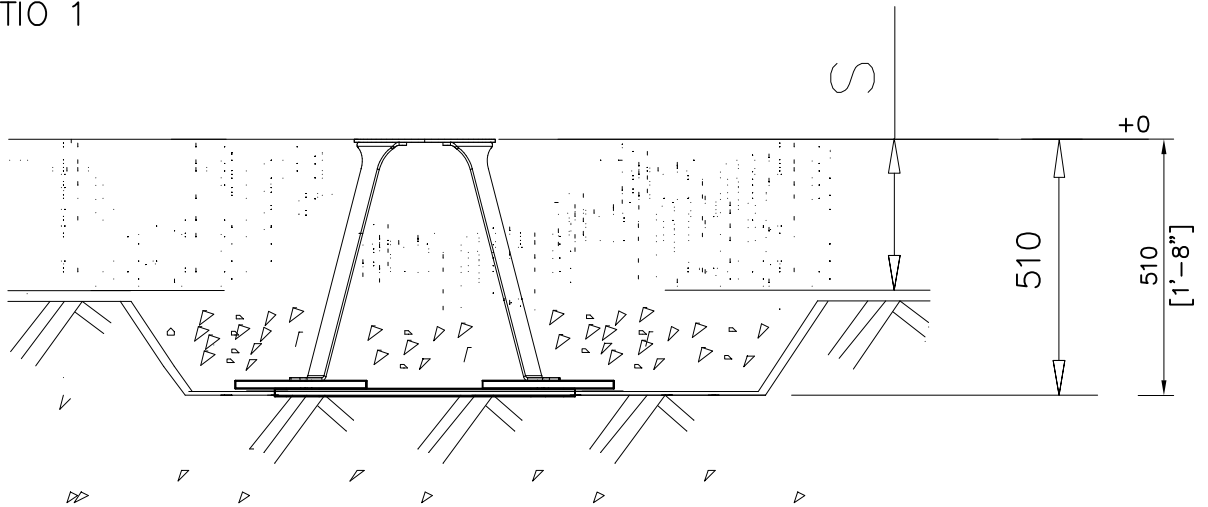
DET 1



DET 2



DET 3 OPTIO 1



DET 3 OPTIO 2 (WITH CONCRETE)

