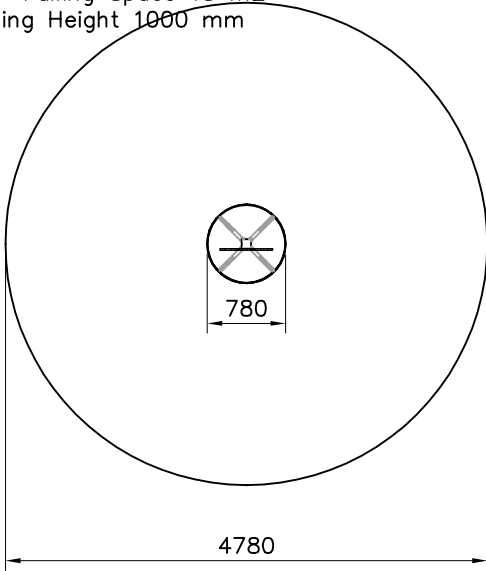
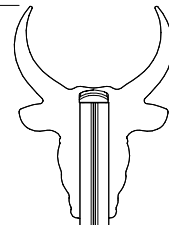


—— EN Impact Area 18 m²
---- Falling Space 18 m²
Max Falling Height 1000 mm

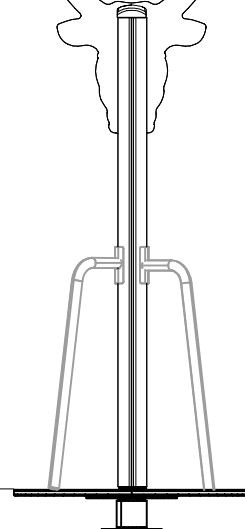


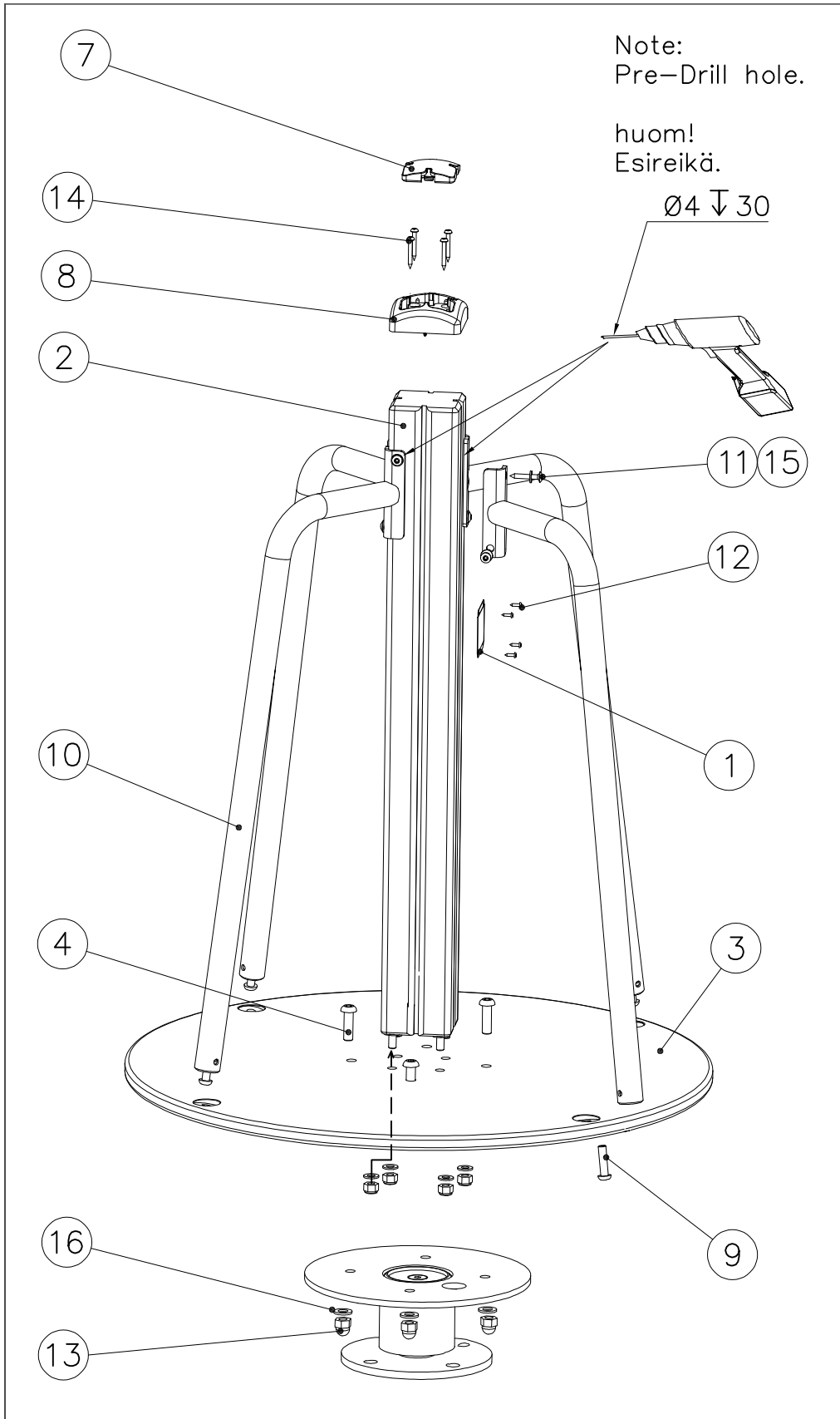
+2020

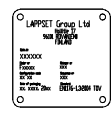



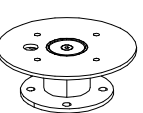

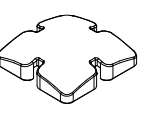
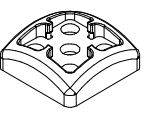
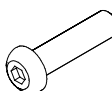

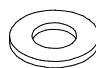
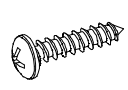
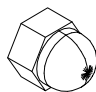




+140

+0

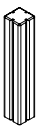




①	702286	PCS	②	706499	PCS
		1			1
	65x65		93x93x860		
③	706523	PCS	④	900367	PCS
		1			4
	20xØ780		M12x40		
⑤	902012	PCS	⑥	980154	PCS
		1			4
	300x110		Ø24/13		
⑦	905138	PCS	⑧	905196	PCS
		1			1
	20x69x69		36.5x95x95		
⑨	907727	PCS	⑩	907728	PCS
		4			4
	M10x40		42x808x327		
⑪	909256	PCS	⑫	909506	PCS
		8			4
	Ø16/8.4x1.6		Ø3.5x13		
⑬	909644	PCS	⑭	980106	PCS
		4			4
	M12		Ø5x40		
⑮	980128	PCS			PCS
		8			
	Ø7x40				

POST OPTIONS

706499



706499-602 DARK BROWN
706499-603 LIGHT BROWN
706499-604 LIGHT GRAY

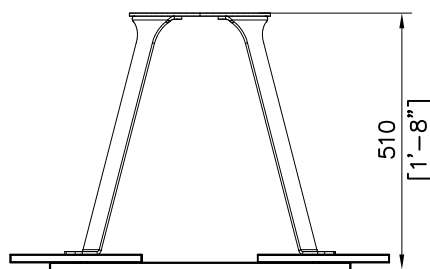
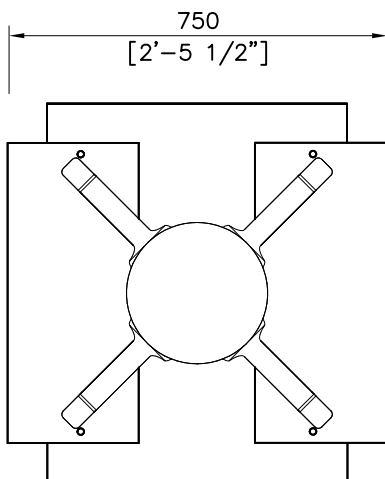
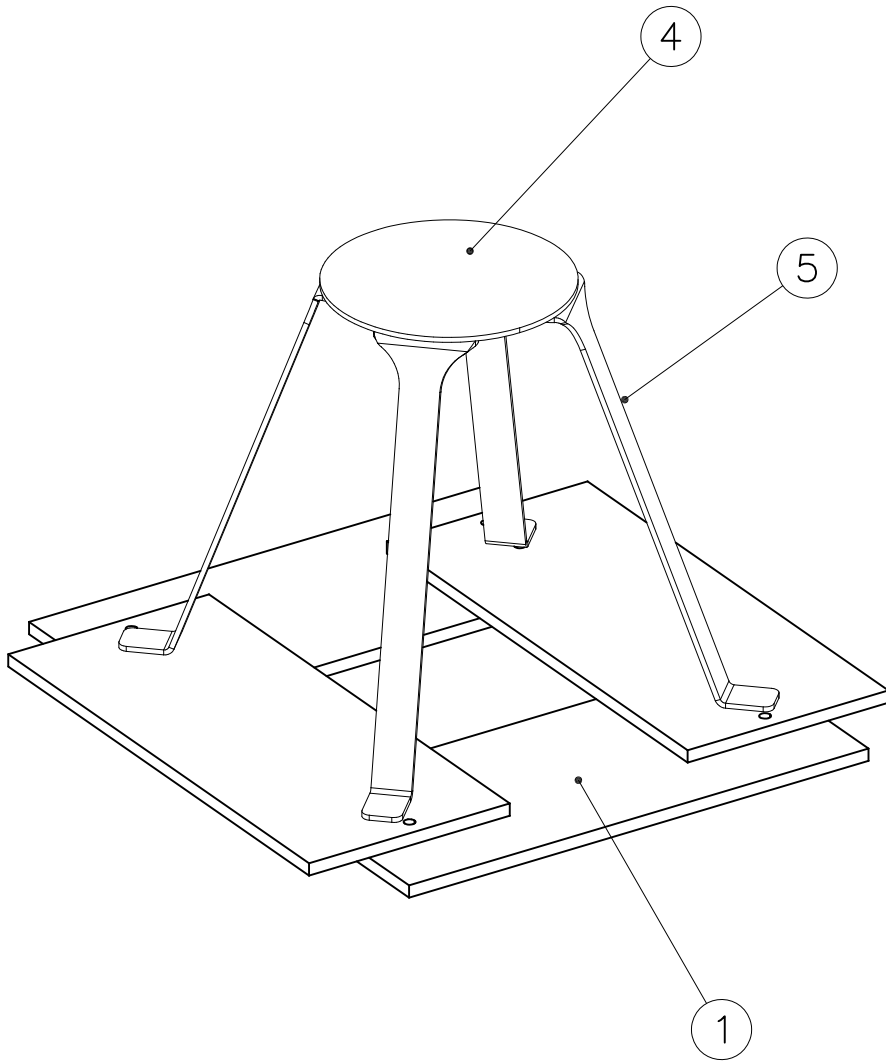
93x93x860

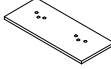

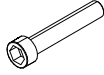




LAPPSET® GROUNDING

705101

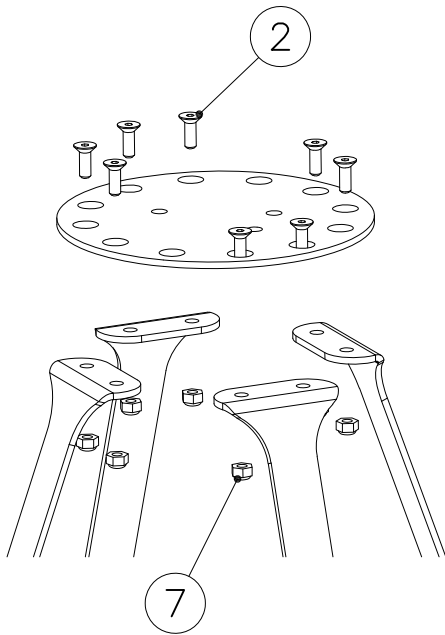
DATE: 5.6.2023

1(2)

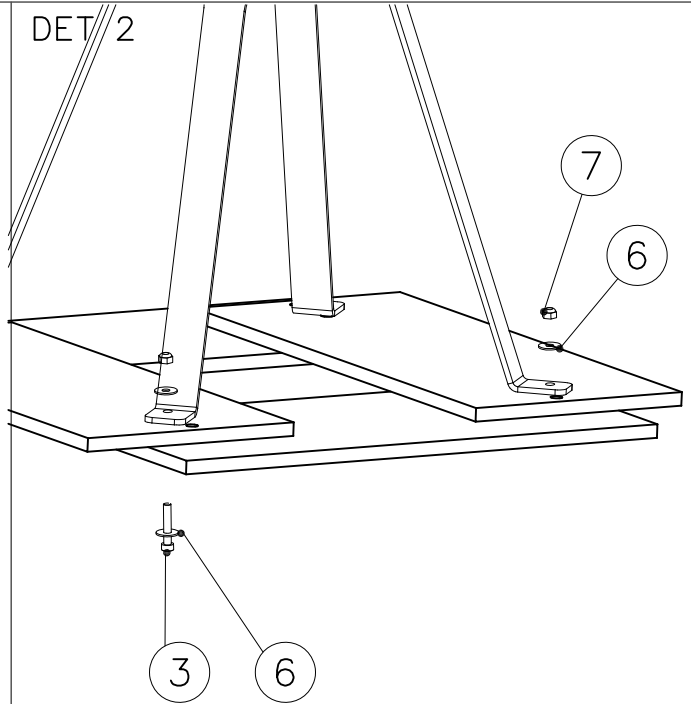


①	707138	PCS	②	900958	PCS
		4			8
	260x595			M10x30	
③	902232	PCS	④	905993	PCS
		4			1
	M10x55				
⑤	906000	PCS	⑥	909255	PCS
		4			8
				Ø30/10.5	
⑦	980161	PCS			PCS
		12			
	M10				
		PCS			PCS
		PCS			PCS
		PCS			PCS

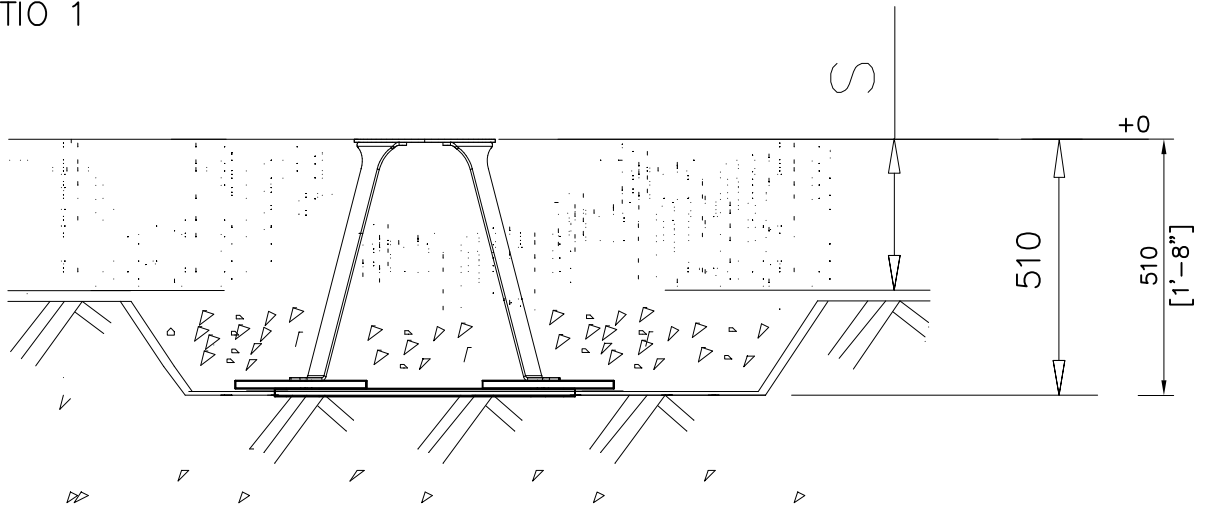
DET 1



DET 2



DET 3 OPTIO 1



DET 3 OPTIO 2 (WITH CONCRETE)

