

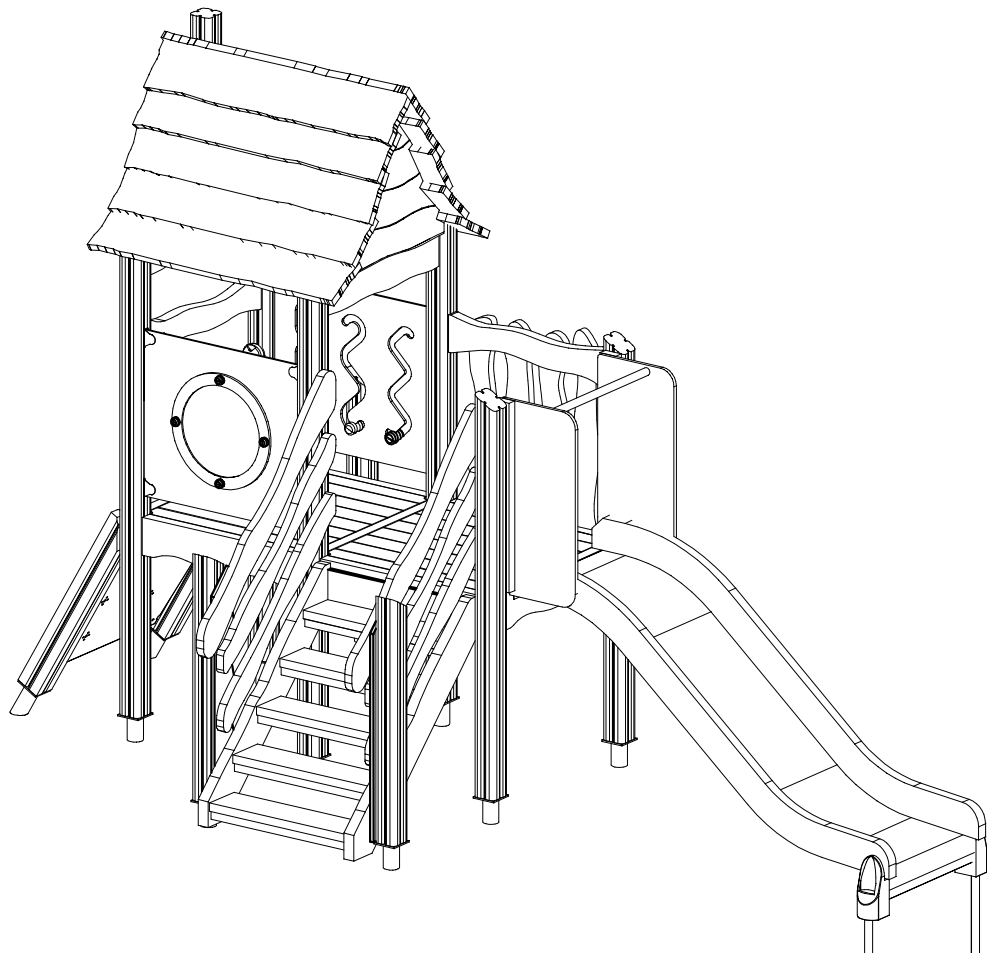
# **LAPPSET®**

## **FLORA**

ASENNUSOHJE  
MONTERINGSANSVISNING  
INSTALLATION INSTRUCTION  
AUFBAUANLEITUNG  
NOTICE D'INSTALLATION

DATE: 31.10.2024

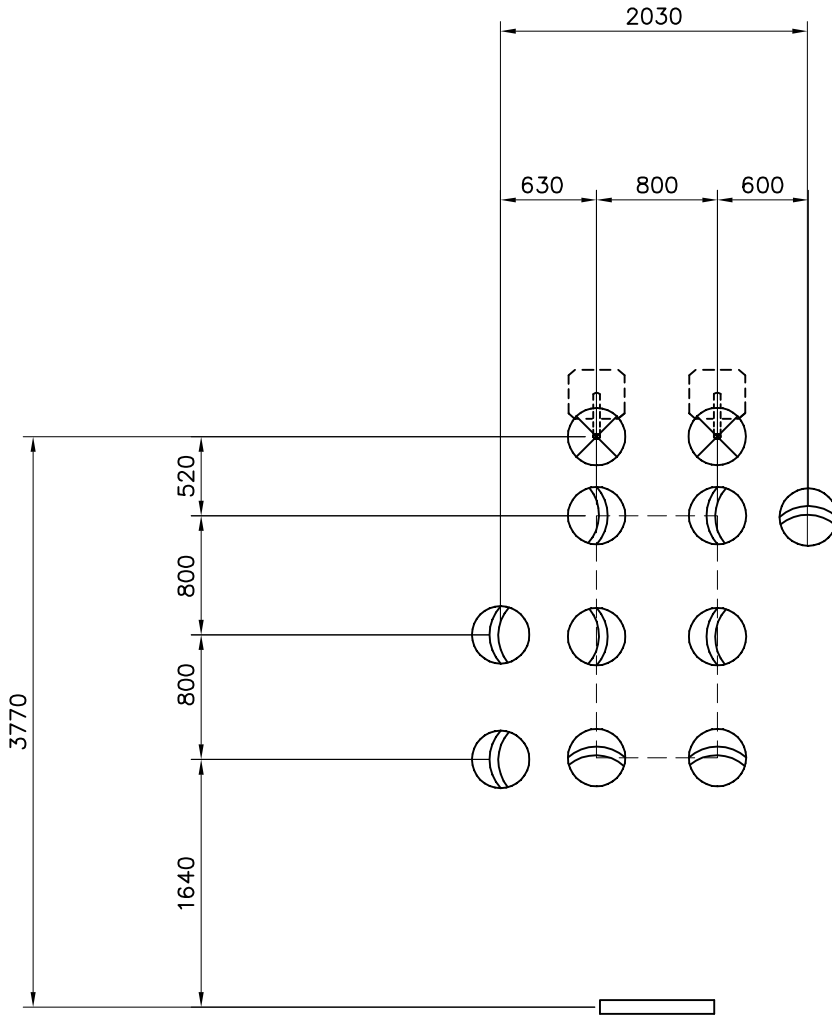
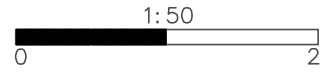
### **QFL0017-1**



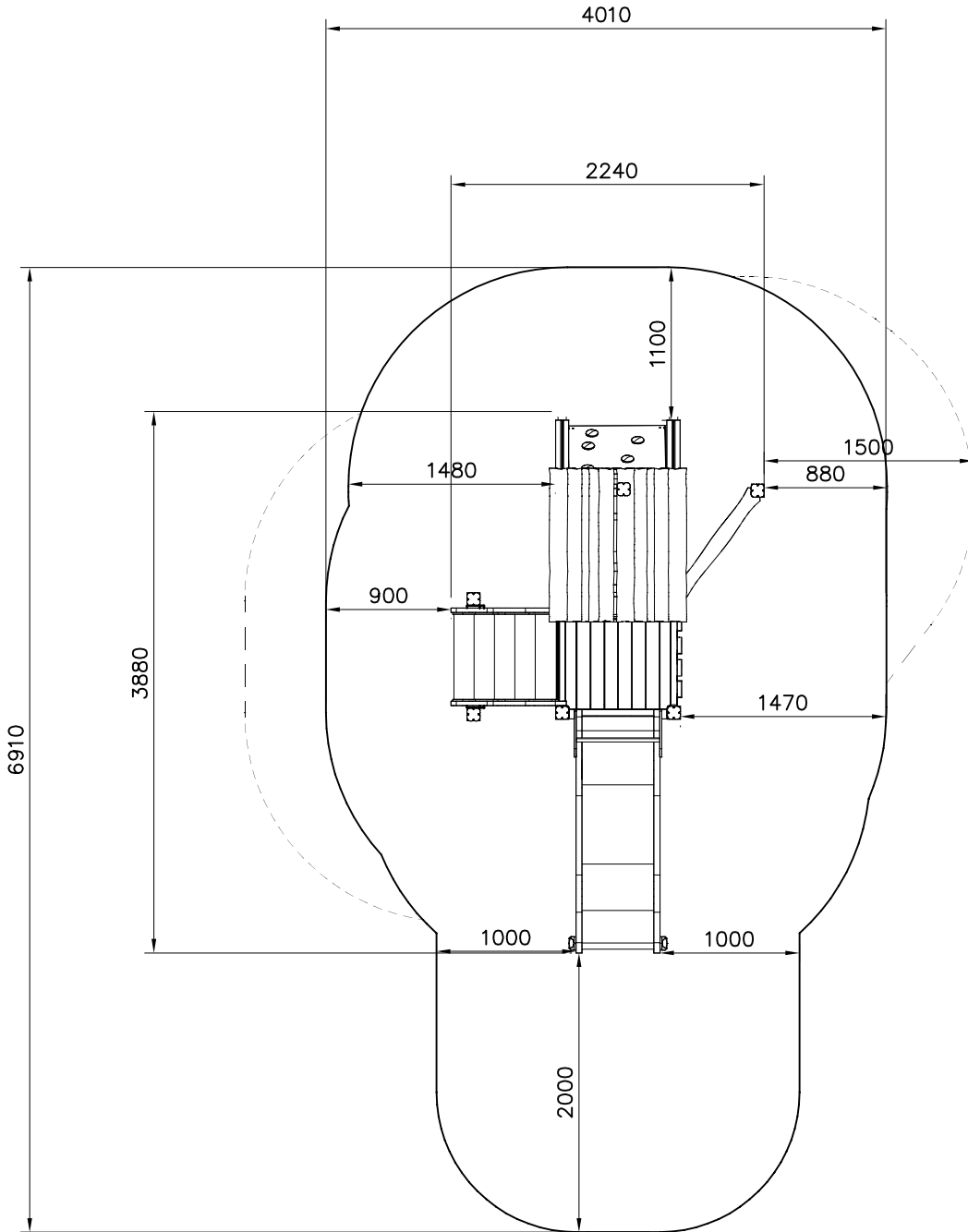
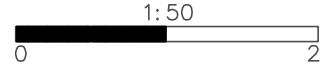
DATE: 31.10.2024

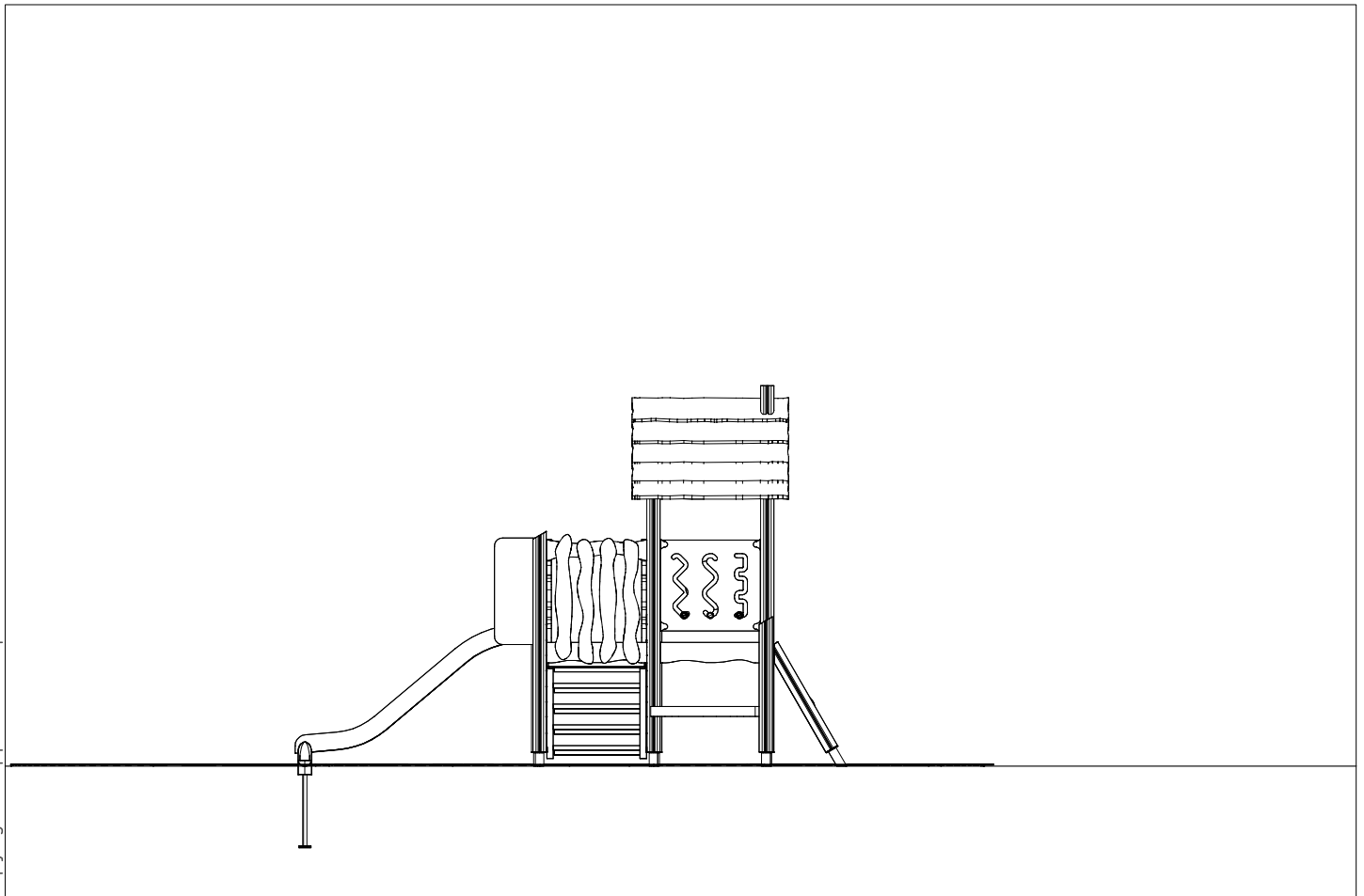
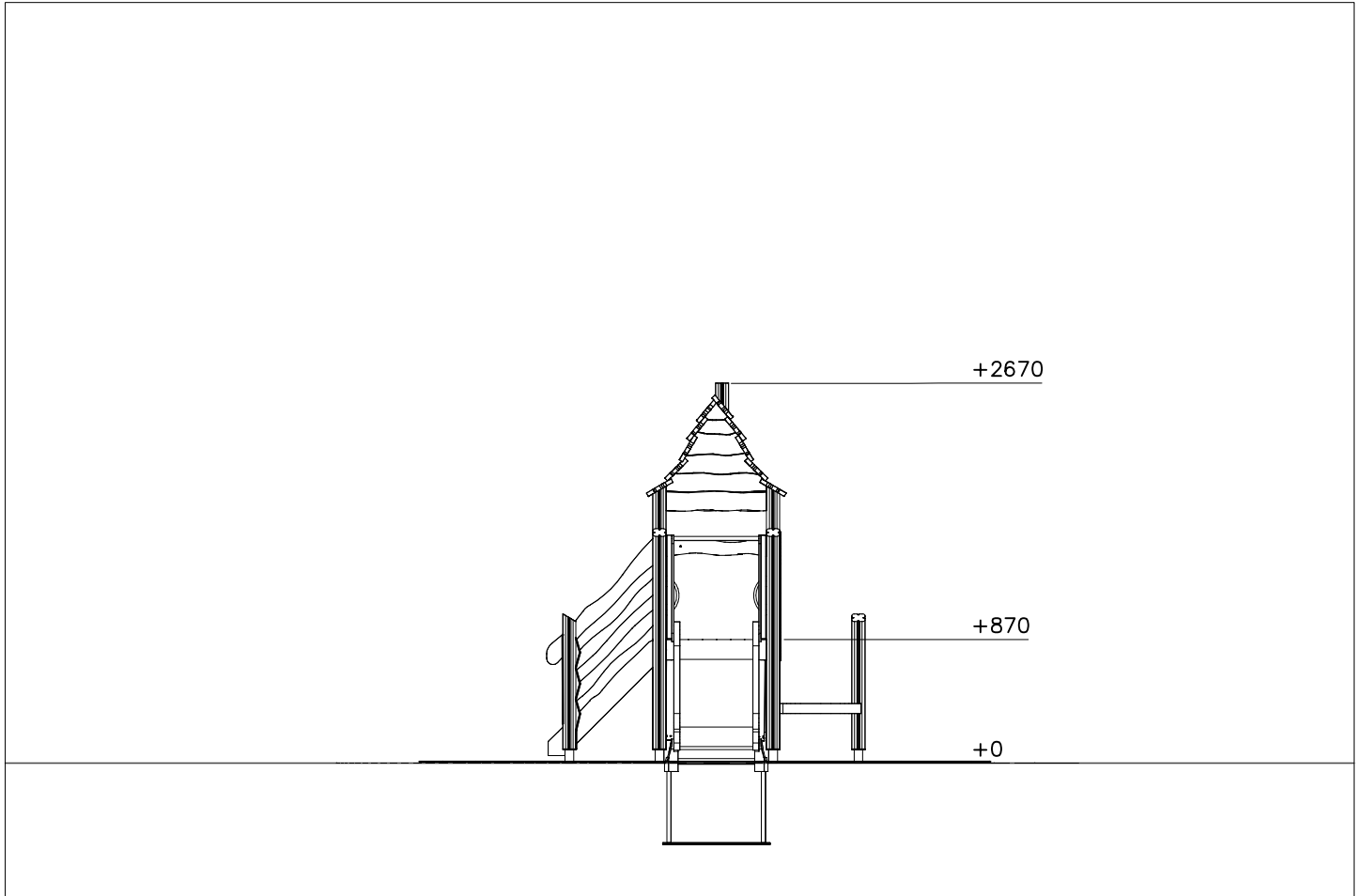
702286	PCS	705197-001	PCS	705211-001	PCS	705218-001	PCS	705230-001	PCS	705258-001	PCS
	1		1		7		1		1		2
65x65		45x145x724		45x145x715		70x145x965					
705511	PCS	706185-001	PCS	706192-001	PCS	706371-705	PCS	706452-001	PCS	706505-001	PCS
	2		1		3		2		1		2
				93x93x946		15x345x750		+870		35x70x730	
706533	PCS	706534	PCS	707133	PCS	707386-705	PCS	707450	PCS	707453-705	PCS
	1		1		1		1		1		1
				10x80x745		10x640x702				10x640x702	
707454	PCS	708901-001	PCS	711369-001	PCS	711370-001	PCS	900240	PCS	901868	PCS
	1		1		4		2		4		3
				93x93x1846		93x93x1546		Ø8x70		Ø34x598	
901879	PCS	903093	PCS	905051	PCS	905104	PCS	909231	PCS	909233	PCS
	2		32		4		44		2		2
		Ø8x90		Ø24/8.5		M10		8x130		8x100	
909521	PCS	980114	PCS	P00109	PCS	P13608	PCS	P13609	PCS		PCS
	11		4		2		1		1		
		Ø4x20		L 840							
	PCS		PCS		PCS		PCS		PCS		PCS

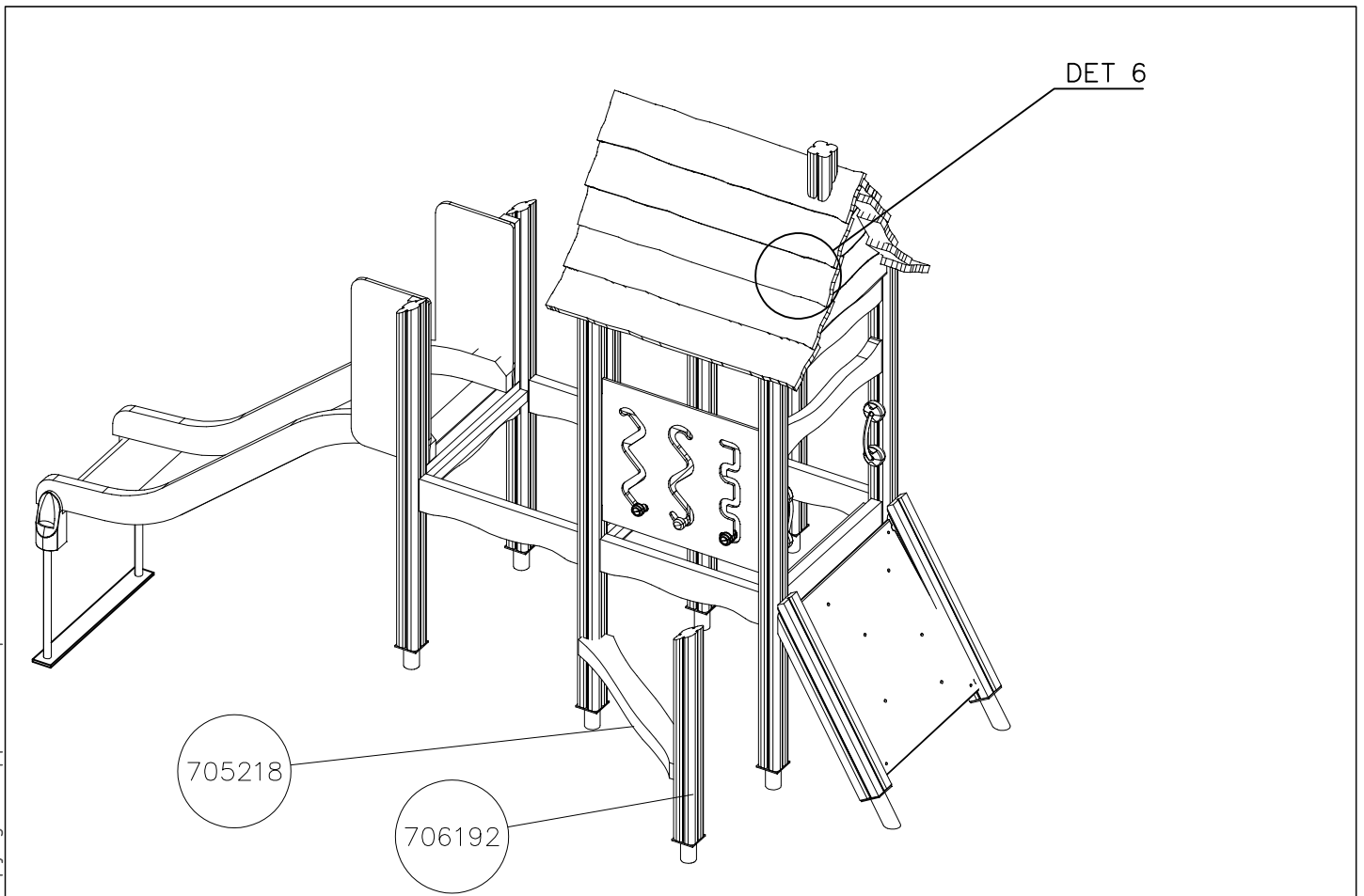
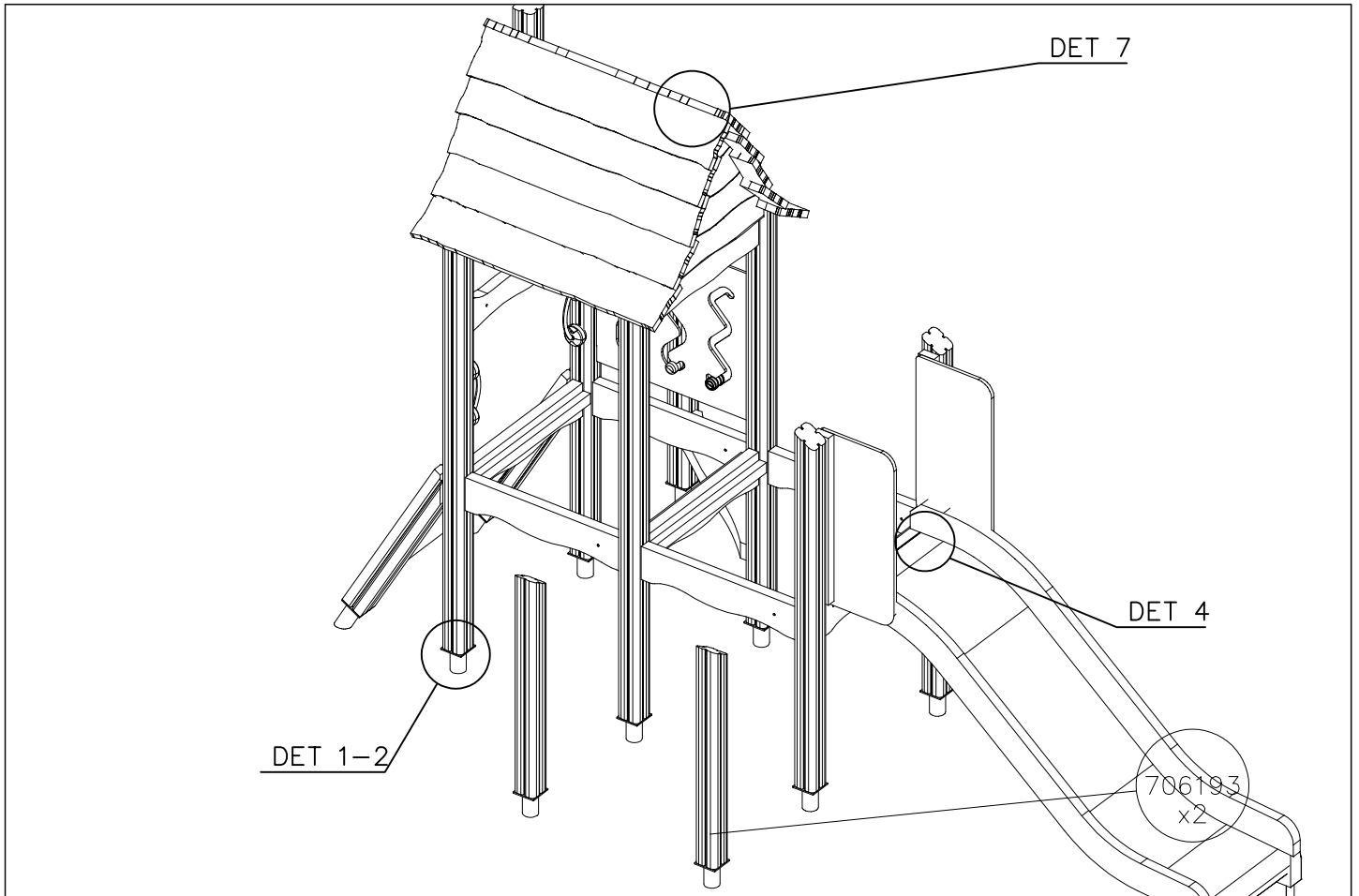
— EN/AS Impact Area 22.2 m<sup>2</sup>  
- - - Falling Space 25.4 m<sup>2</sup>  
Max Falling Height 1000 mm



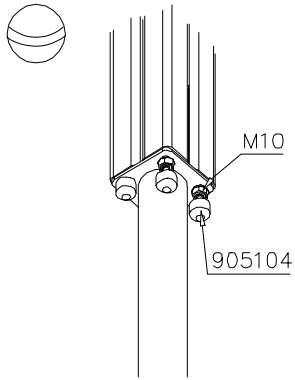

- EN/AS Impact Area 22.2 m<sup>2</sup>
- - - - Falling Space 25.4 m<sup>2</sup>  
Max Falling Height 1000 mm



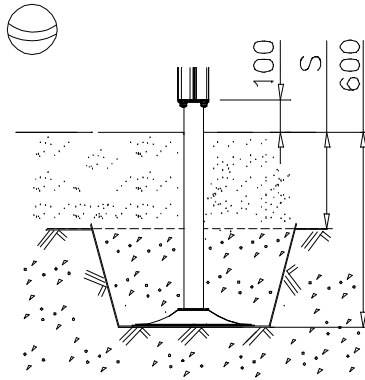




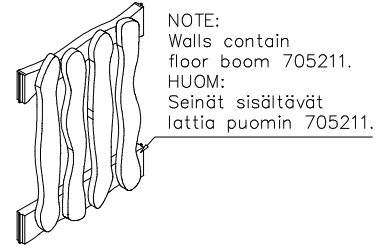
DET 1



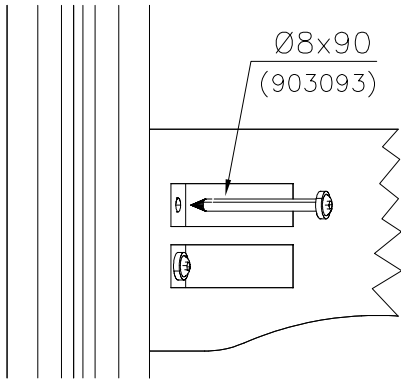
DET 2



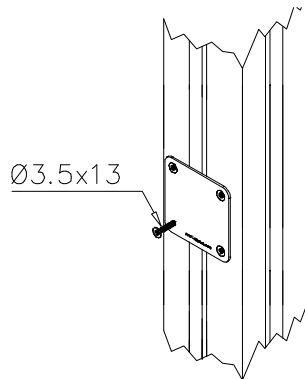
DET 3



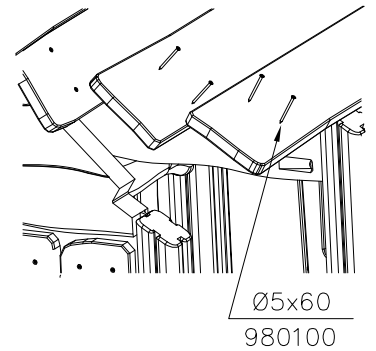
DET 4



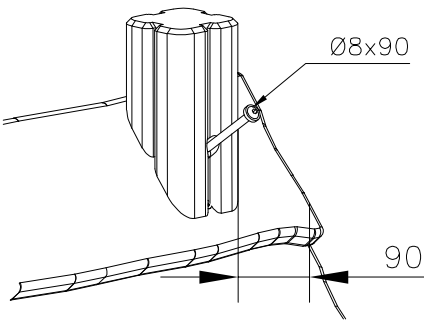
DET 5



DET 6

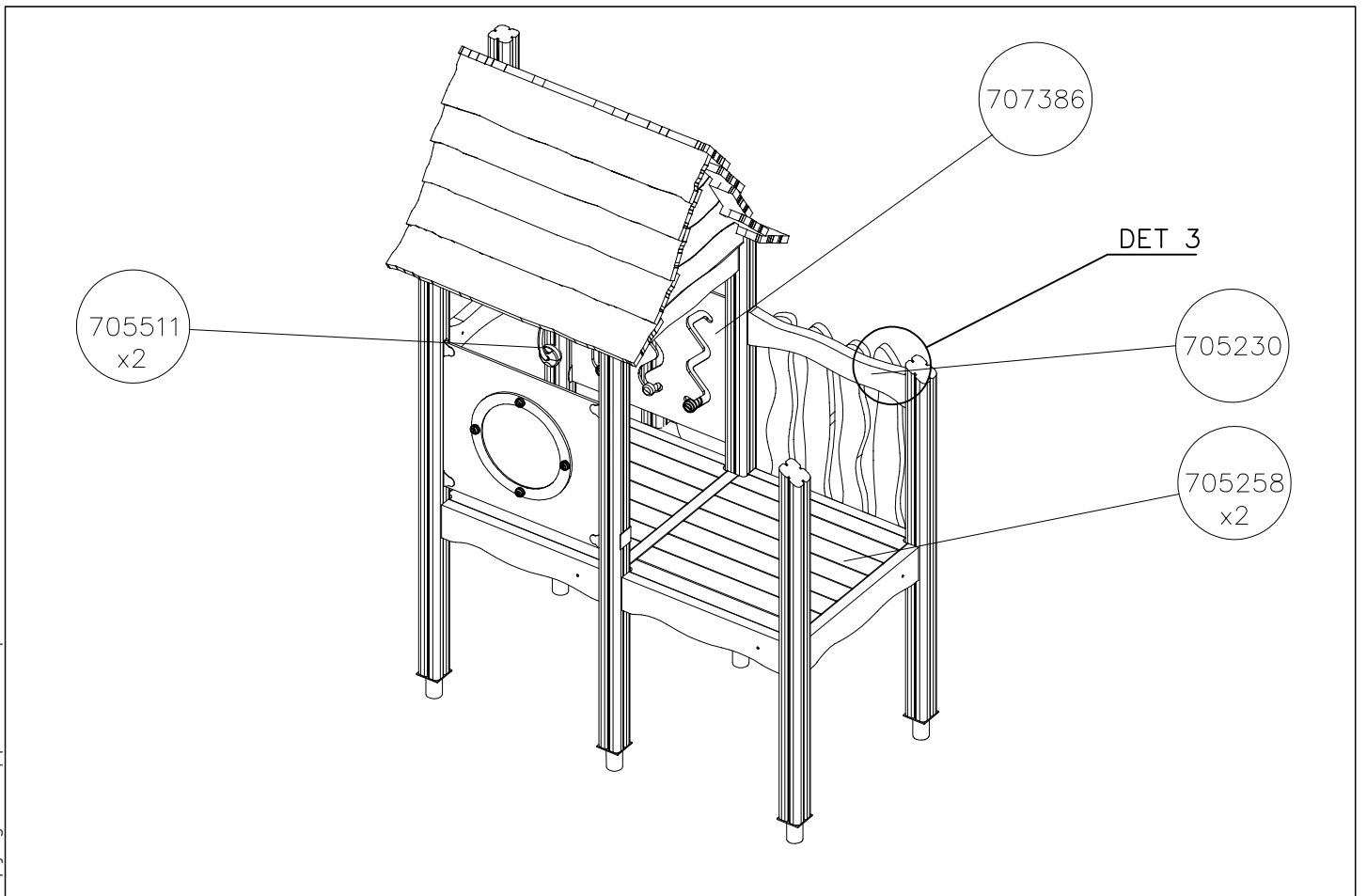
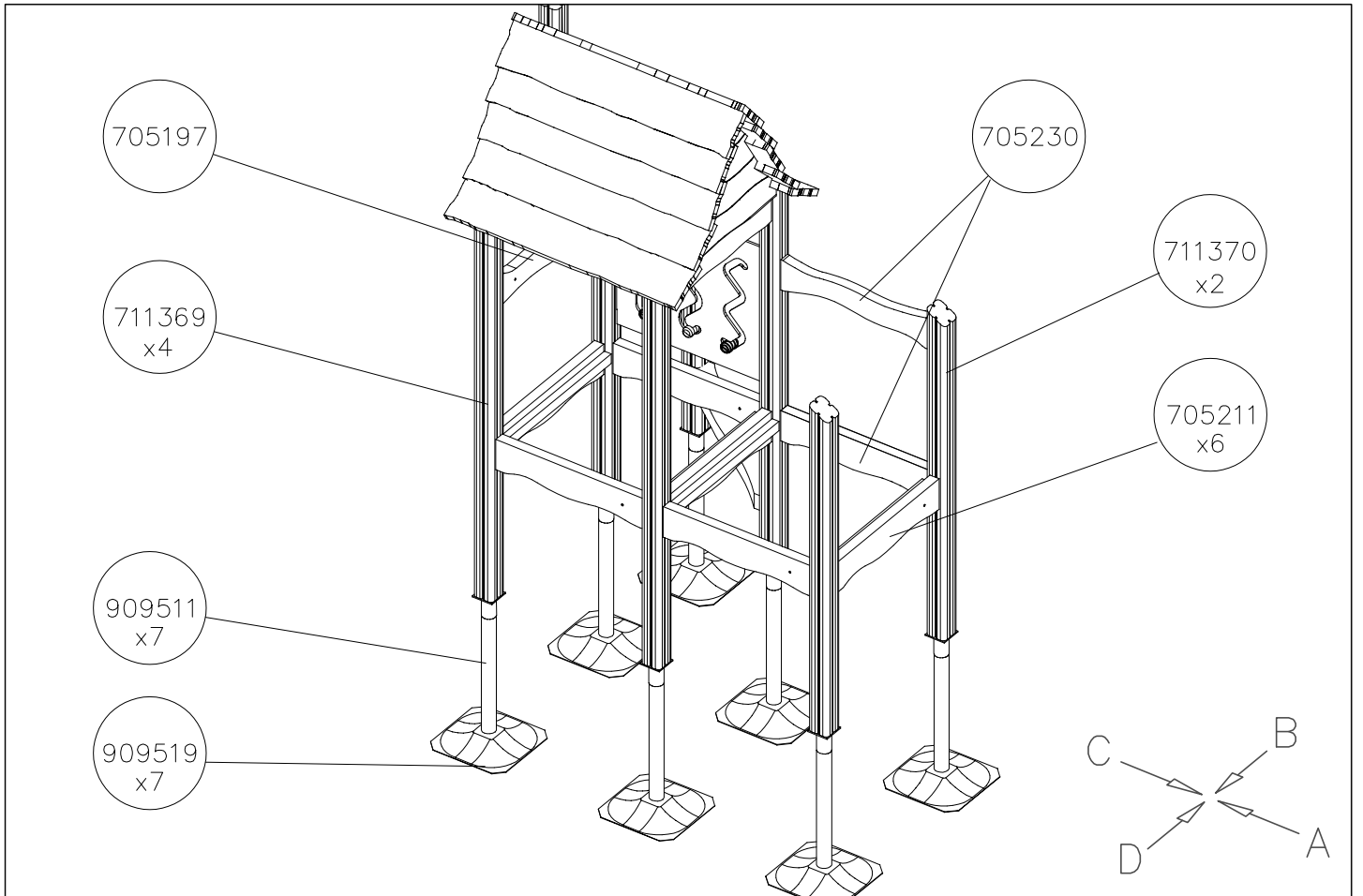


DET 7





DATE: 31.10.2024

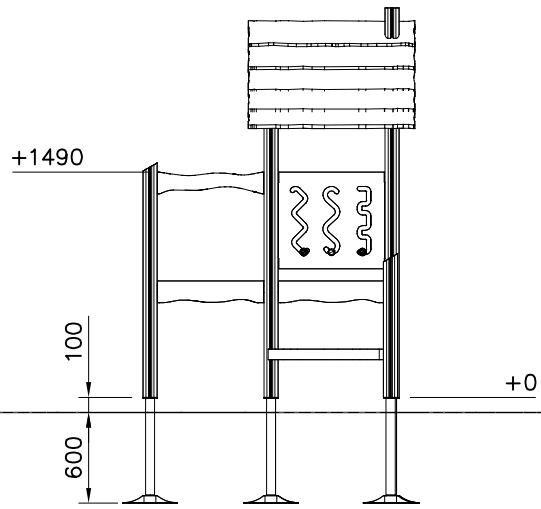
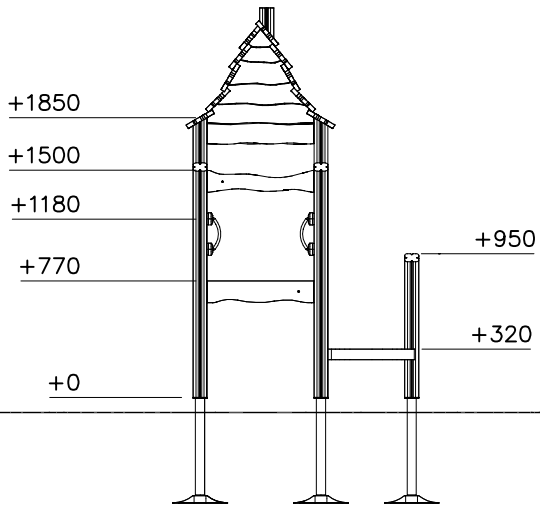


DATE: 31.10.2024

1:50

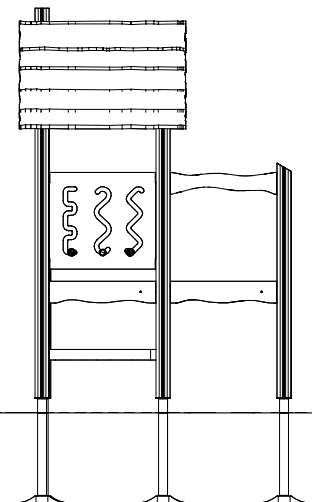
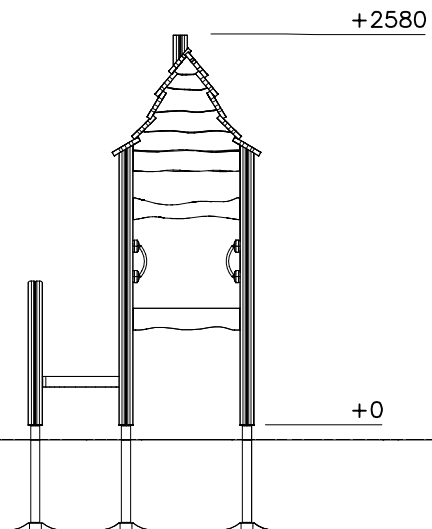
(B)

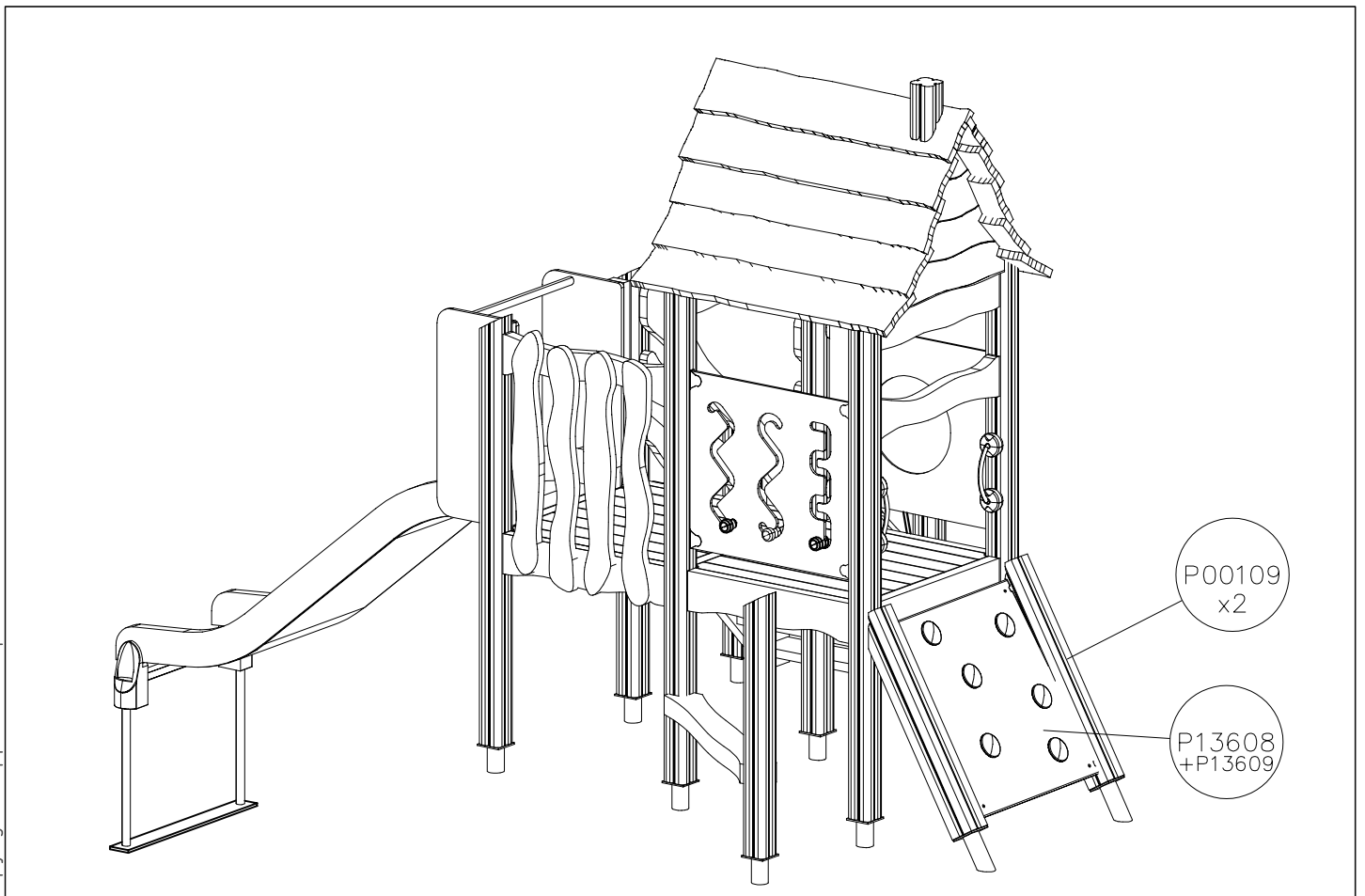
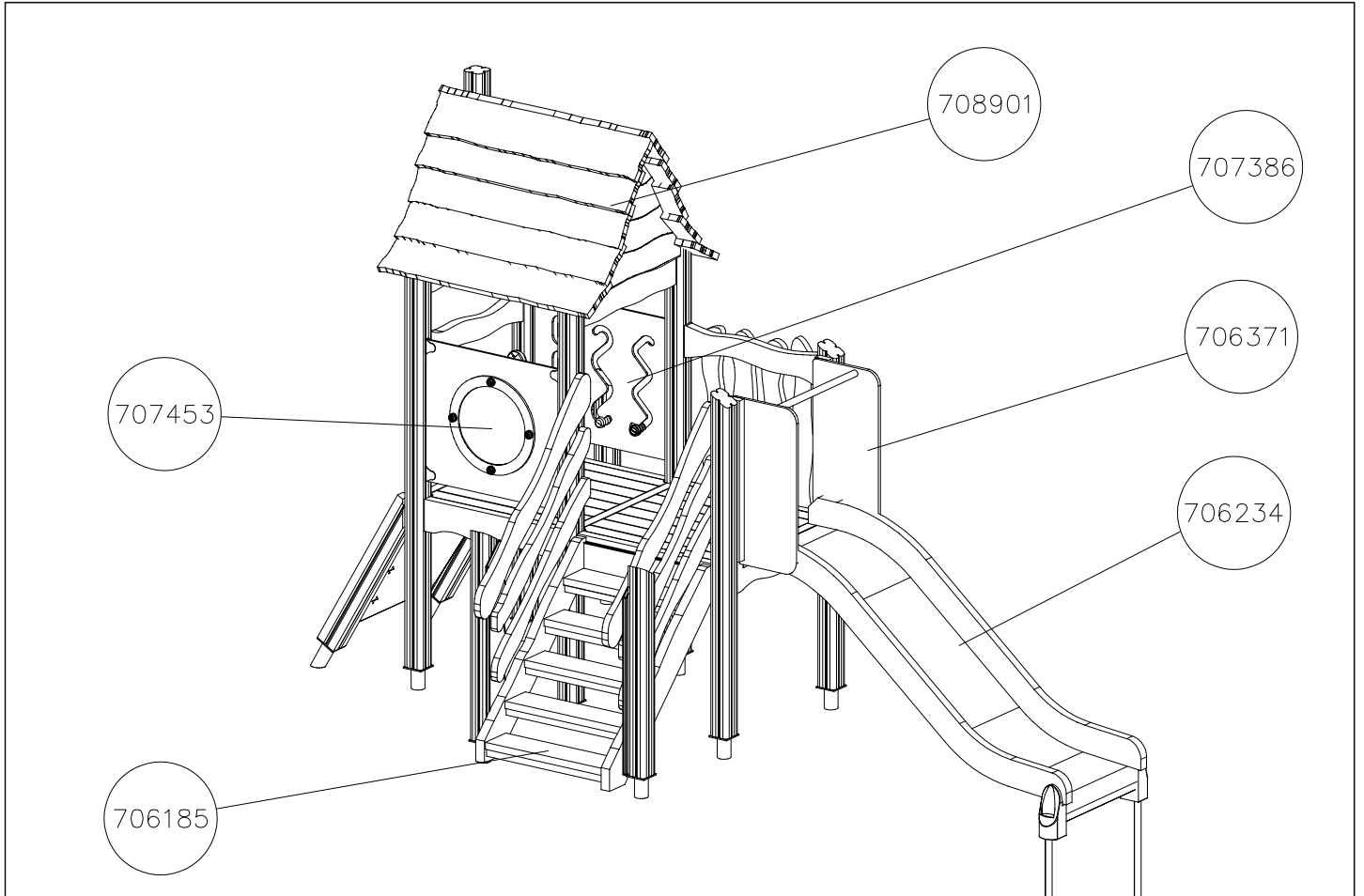
(A)



(C)

(D)





— EN/AS Impact Area 22.2 m<sup>2</sup>  
- - - Falling Space 25.4 m<sup>2</sup>  
Max Falling Height 1000 mm

