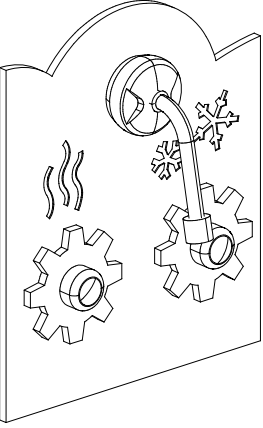
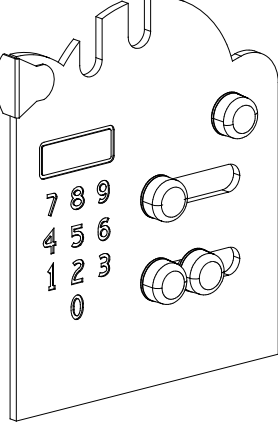
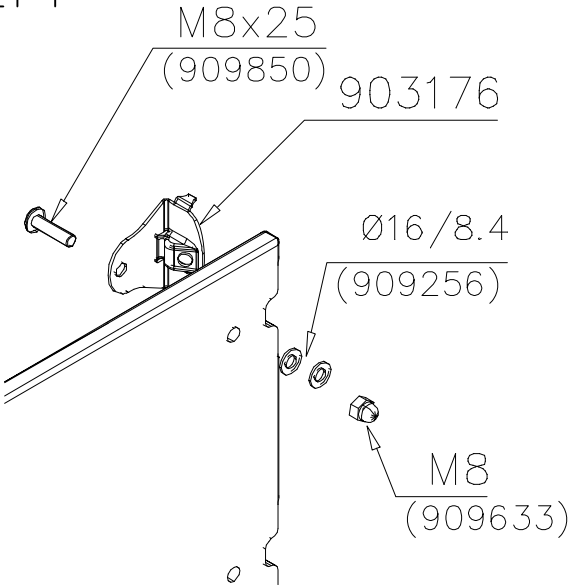
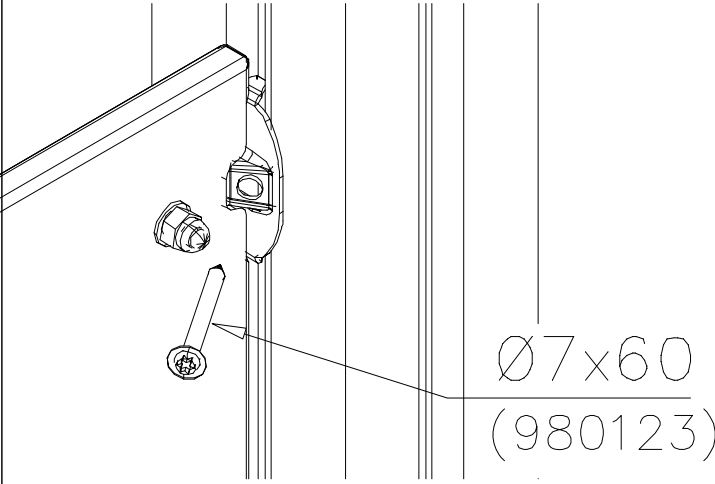
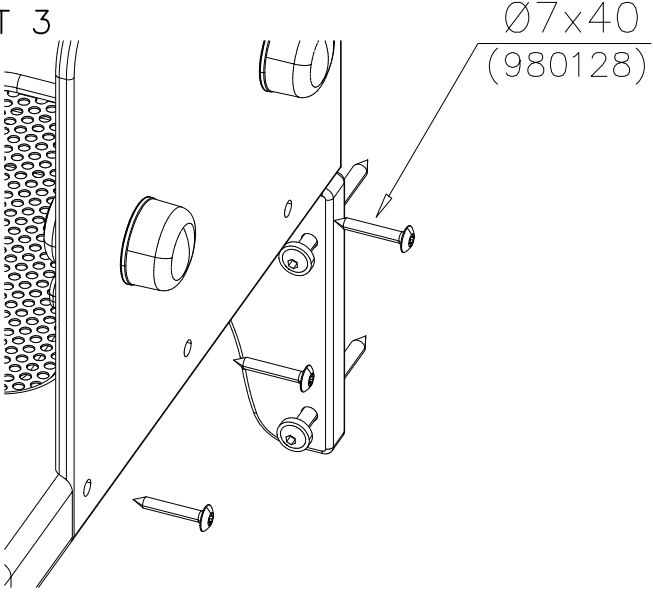


| | | | | | |
|---|--------|-----|---|---------|-----|
| ① | 903176 | PCS | ② | 909850 | PCS |
| | | 1 | | | 1 |
| | | | | M8x25 | |
| ③ | 980128 | PCS | ④ | 909256 | PCS |
| | | 3 | | | 2 |
| | Ø7x40 | | | Ø16/8.4 | |
| ⑤ | 909633 | PCS | ⑥ | 980123 | PCS |
| | | 1 | | | 1 |
| | M8 | | | Ø7x60 | |
| | | PCS | | | PCS |
| | | | | | |
| | | PCS | | | PCS |
| | | | | | |
| | | PCS | | | PCS |
| | | | | | |
| | | PCS | | | PCS |
| | | | | | |
| | | PCS | | | PCS |
| | | | | | |

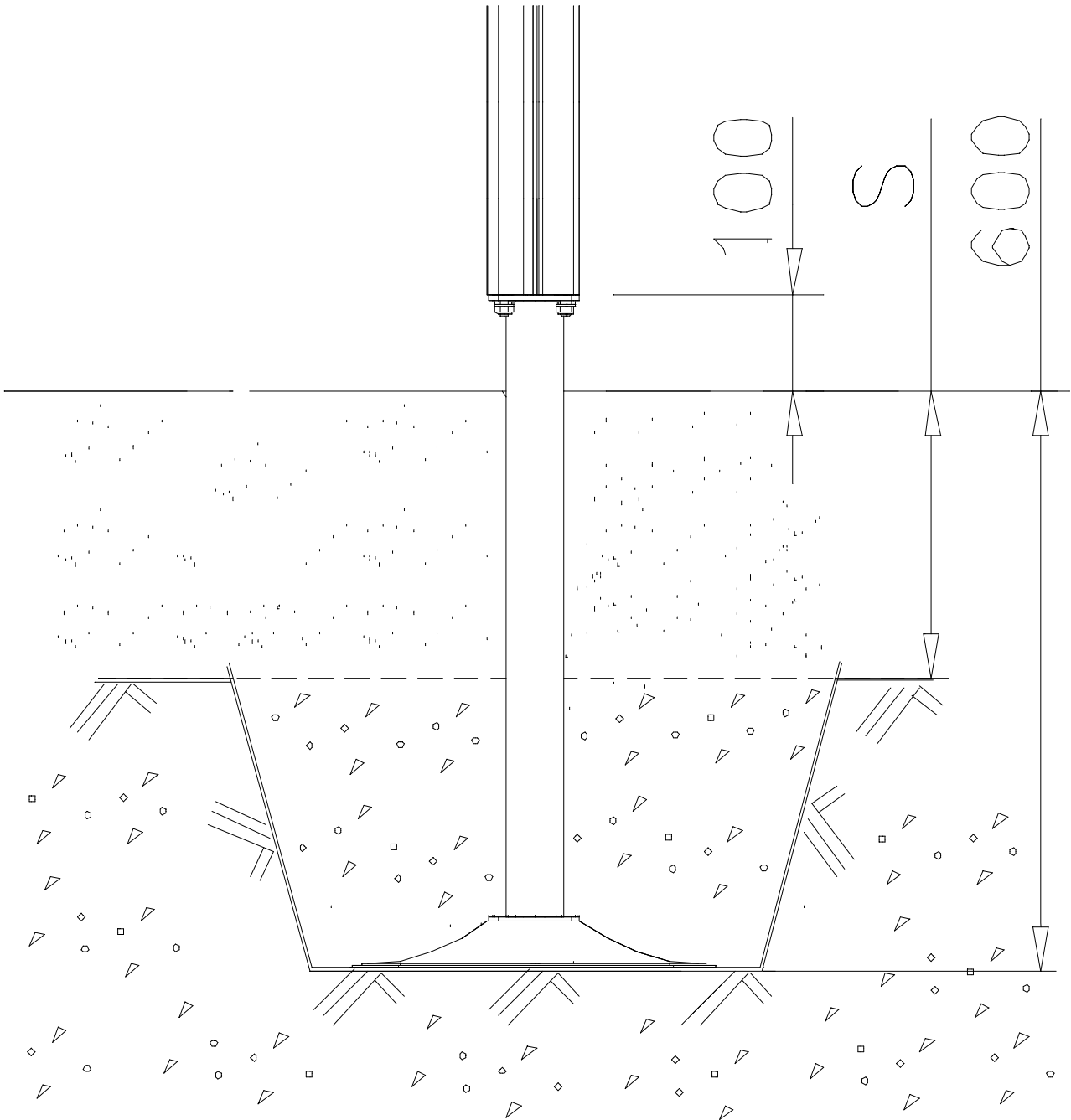
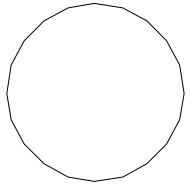
| WALL OPTIONS | | WALL COLOR OPTIONS | |
|--------------------------------------------------------------------------------------------------------------------|-------------------------------------------------------------------------------------------------------------------------|---------------------------------------------------------------------------------------------------------------------------------------------------|--|
| <p>709351*</p>  <p>10x351x423</p> | <p>709372*</p>  <p>10x351x423</p> | <p>–701 BLUE</p> <p>–702 YELLOW</p> <p>–703 LIME</p> <p>–704 DARK GREY</p> <p>–705 GREY</p> <p>–706 RED</p> <p>–707 GREEN</p> <p>–708 FUCHSIA</p> | |
| <p>DET 1</p>  | <p>DET 2</p>  | | |
| <p>DET 3</p>  | <p>*Note:</p> <p>Wall 709351 compatible only with table 709406</p> <p>Wall 709372 compatible only with table 709374</p> | | |

LAPPSET®
DEEP FOUNDATION

FOOT

DATE: 13.3.2014

4A

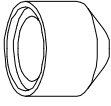


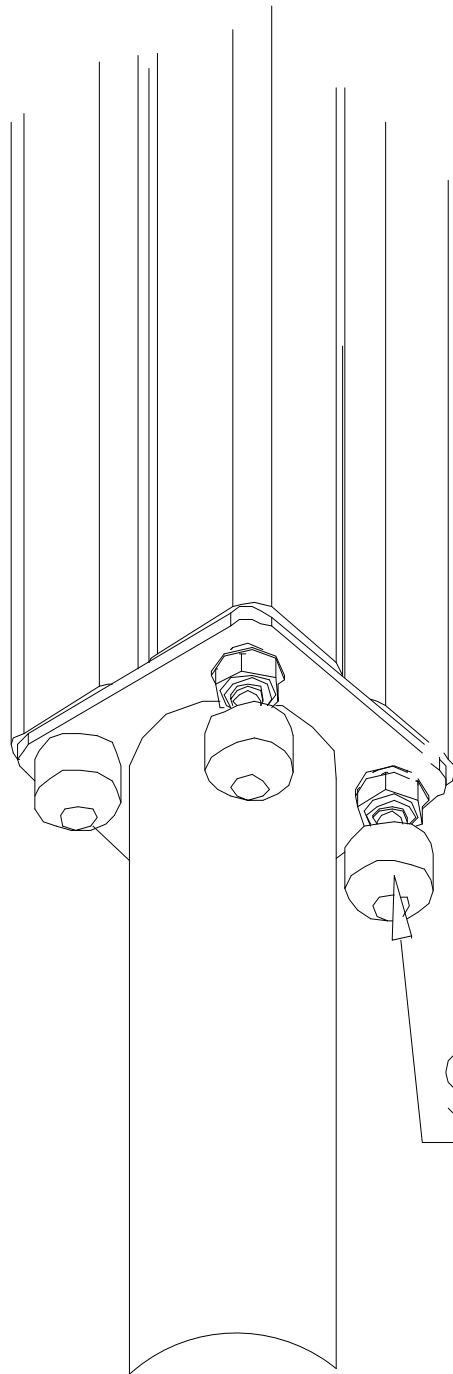
LAPPSET® BETON FOUNDATION

FOOT

DATE: 27.10.2015

1(1)

| | | | |
|-------------------------------------------------------------------------------------|-----|--|-----|
| ② 905104 | PCS | | PCS |
| | 4 | | |
|  | | | |
| | M10 | | |
| | PCS | | PCS |
| | | | |



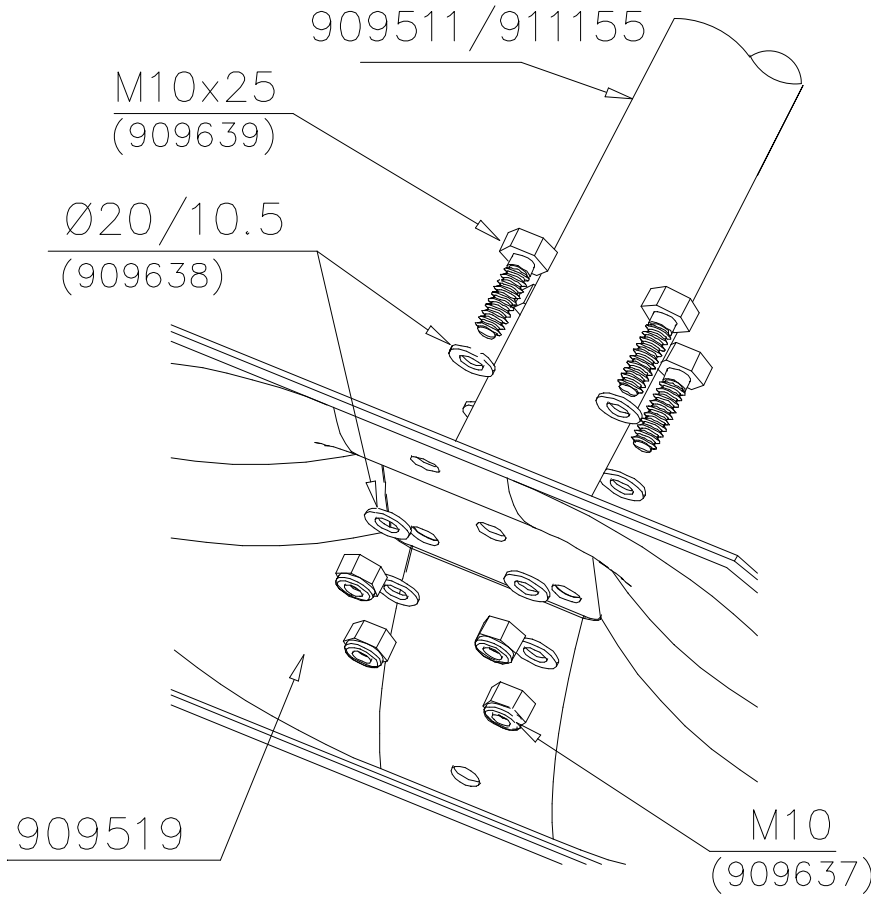
905104

LAPPSET® DEEP FOUNDATION

FOOT

DATE: 15.5.2018

1(1)



| | | | | | |
|---|-----------|-----|------------|--------|-----|
| ① | 909511 | PCS | ② | 909519 | PCS |
| | | 1 | | 1 | |
| | 90x90x650 | | 50x380x380 | | |
| ③ | 909637 | PCS | ④ | 909638 | PCS |
| | | 4 | | 8 | |
| | M10 | | Ø20/10.5 | | |
| ⑤ | 909639 | PCS | ⑥ | 905104 | PCS |
| | | 4 | | 4 | |
| | M10x25 | | M10 | | |

OPTION FOOT

| | | | | |
|---|-----------|-----|--|-----|
| ① | 911155 | PCS | | PCS |
| | | 1 | | |
| | 90x90x650 | | | |

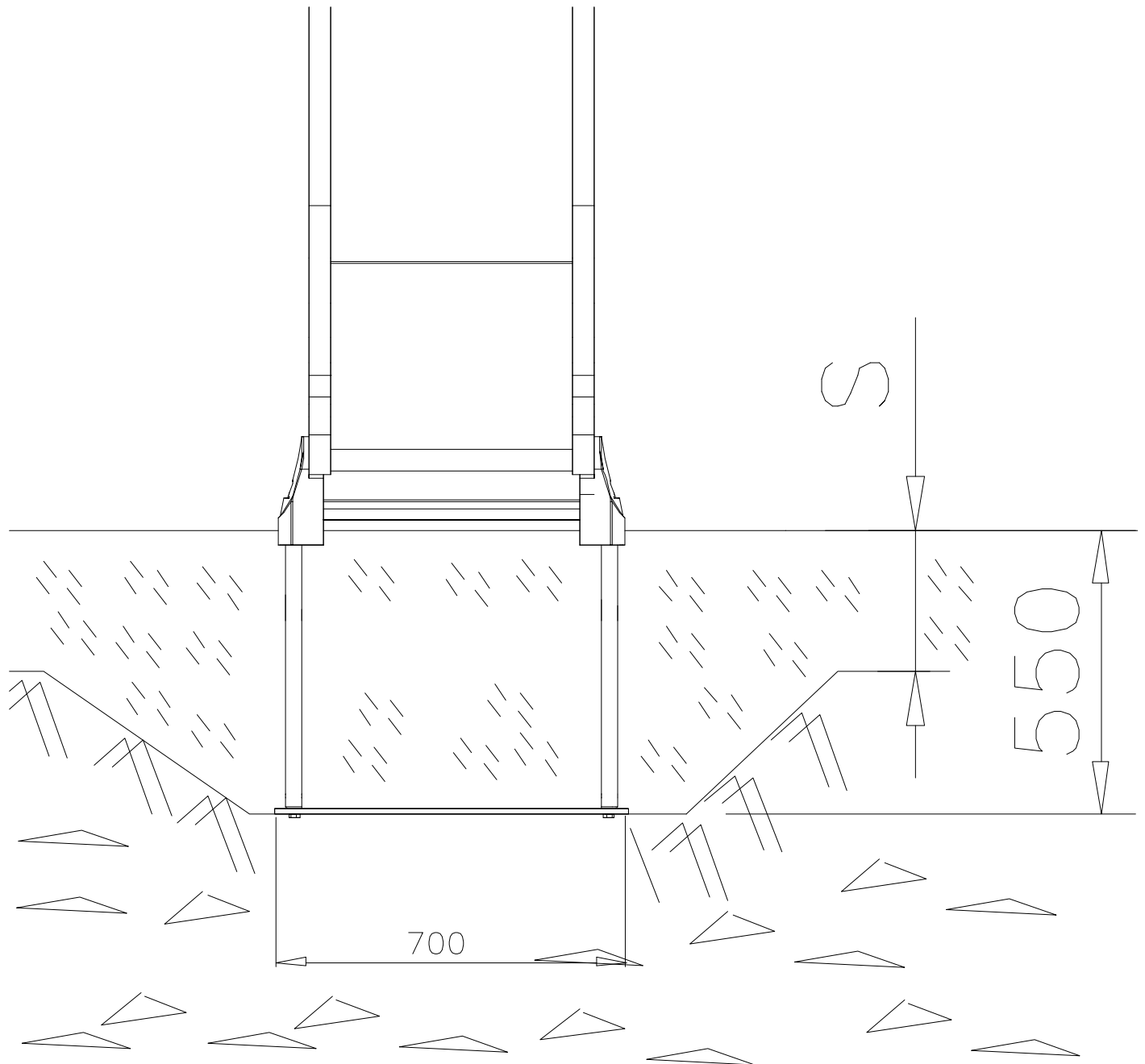
LAPPSET

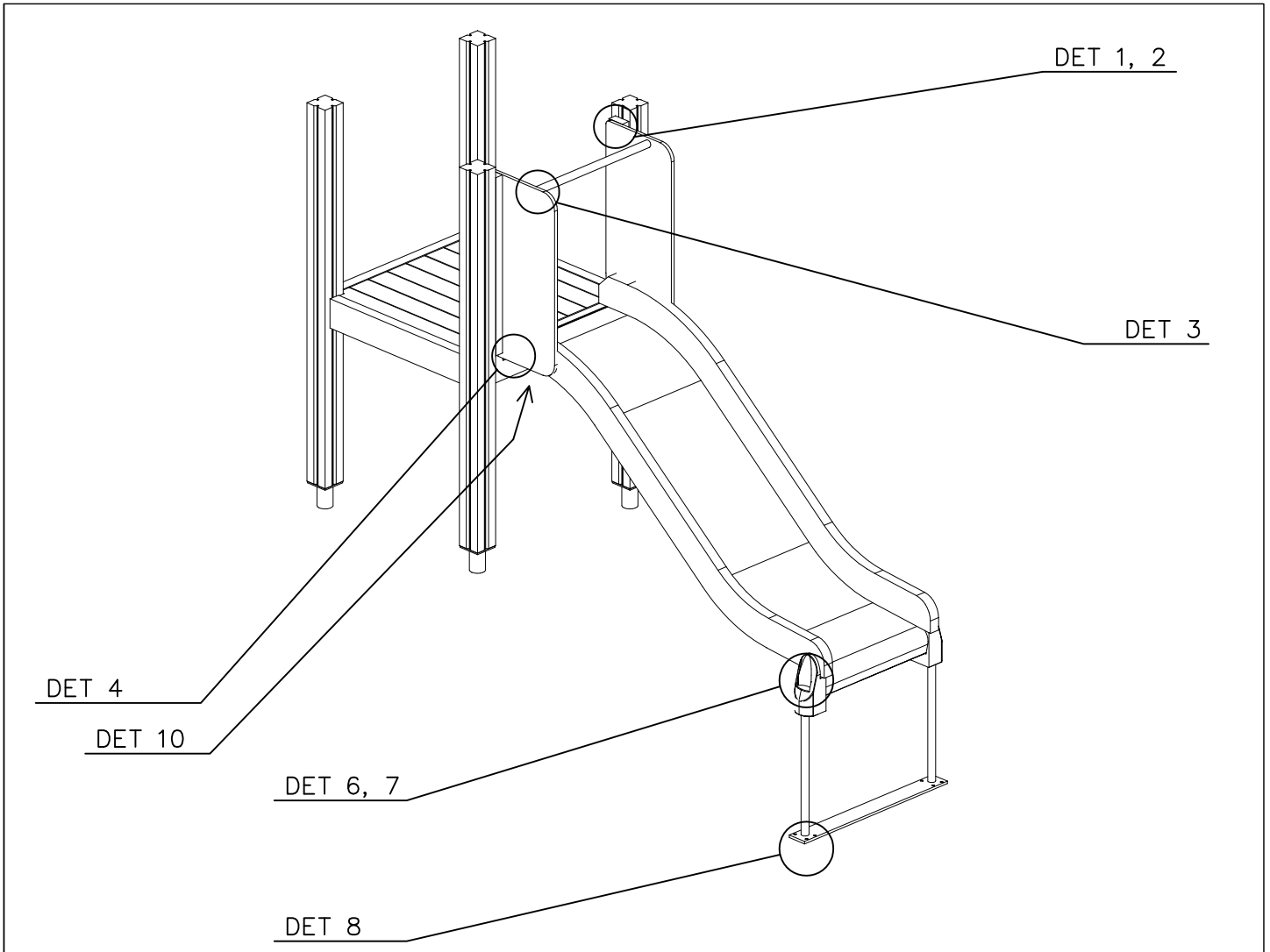
DEEP FOUNDATION

SLIDE WOOD

DATE: 22.5.2015

1(1)

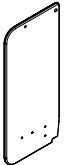



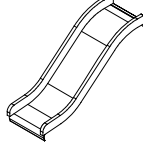


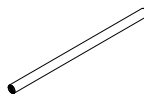
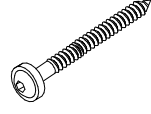
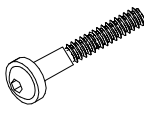
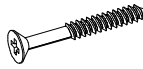




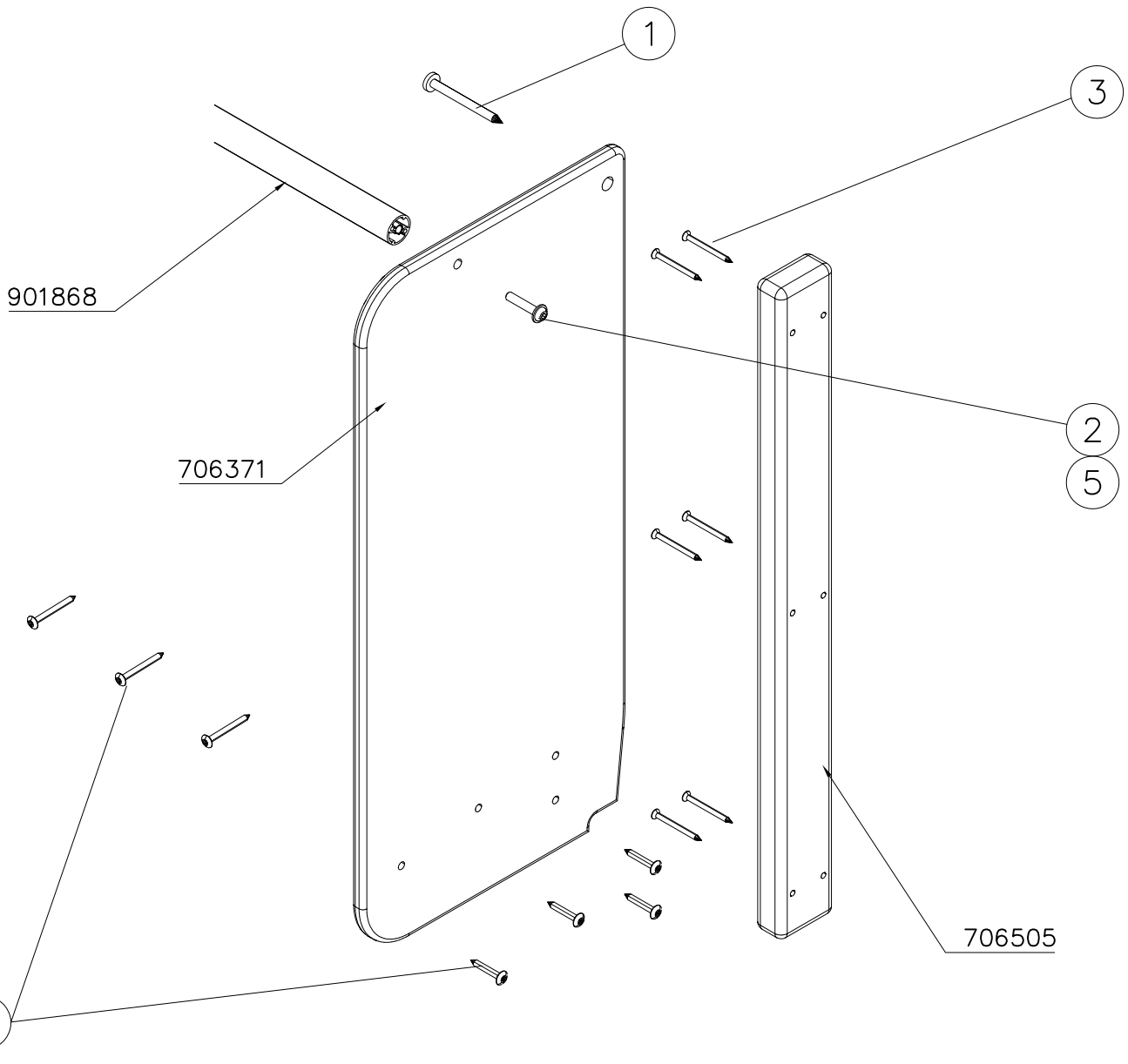
SLIDE OPTIONS

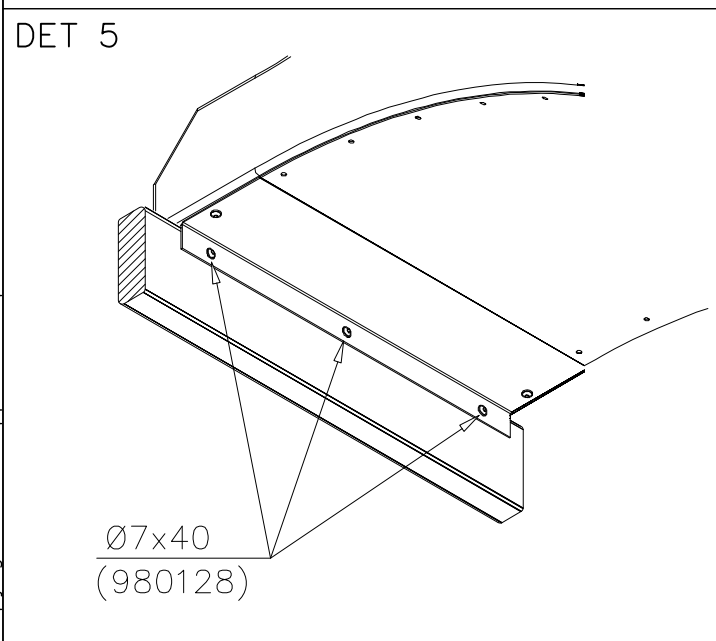
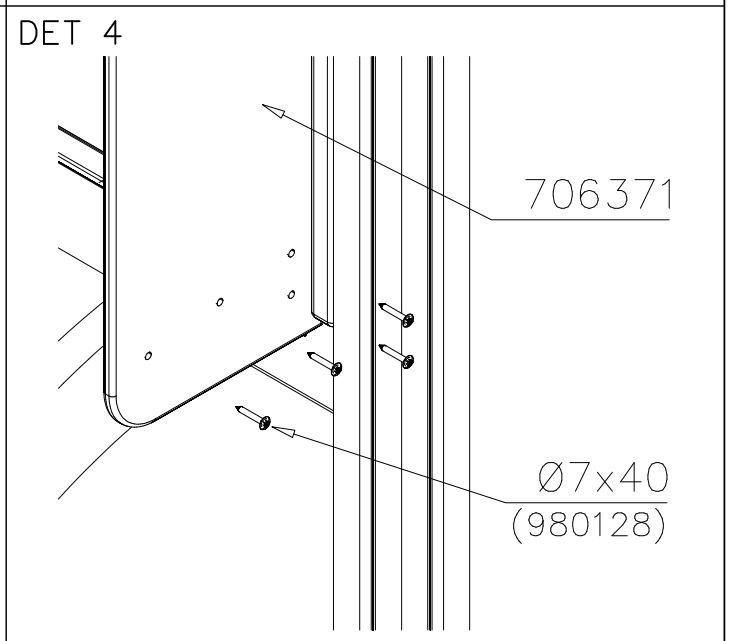
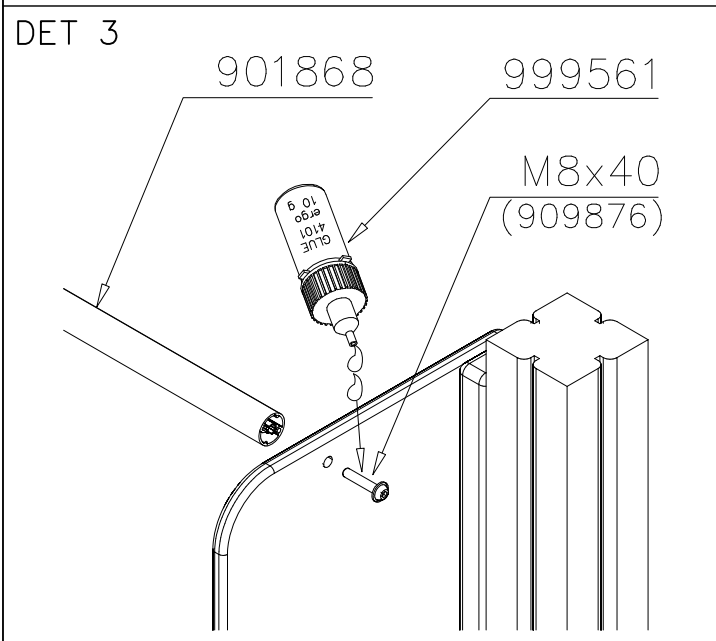
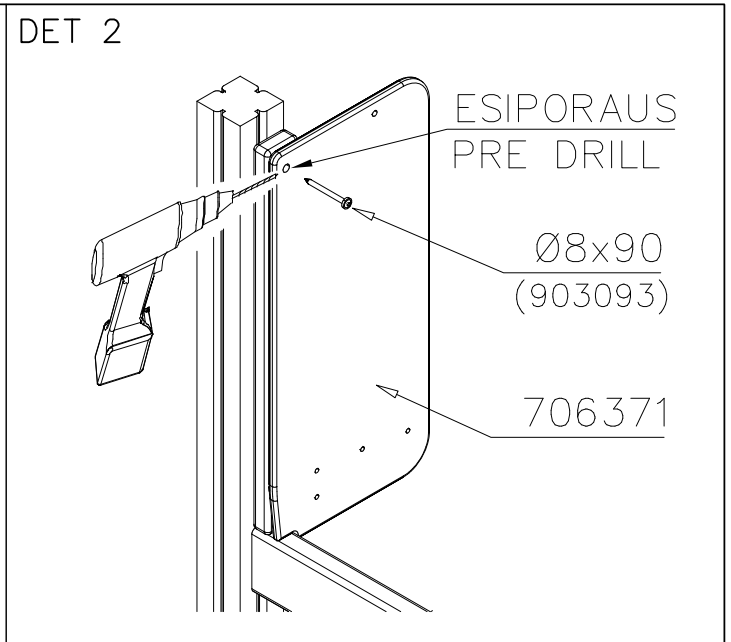
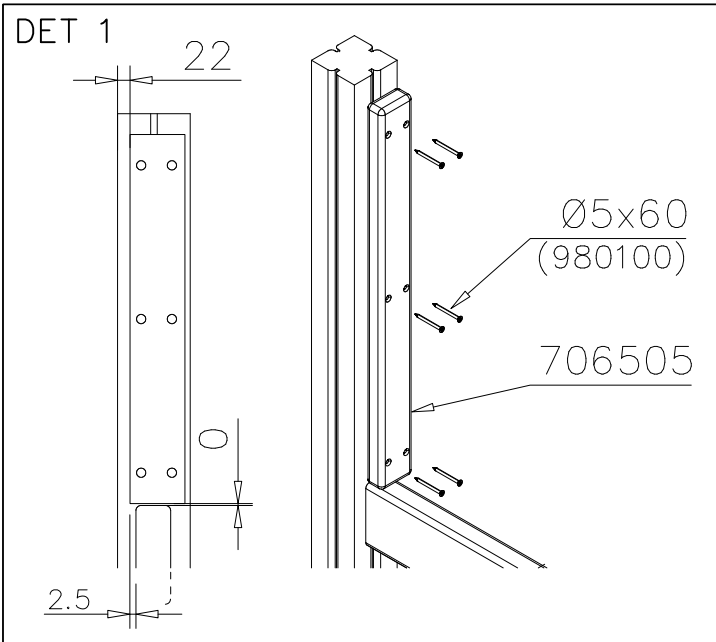
| | | |
|-------------------------------------------------------------------------------------------------------------|---------------------------------------------------------------------------------------------------------------------|--|
| <p>706450 +1470</p>  | <p>706450-602 DARK BROWN 706450-603 LIGHT BROWN 706450-604 LIGHT GRAY</p> | |
| <p>706452 +870</p>  | <p>706452-602 DARK BROWN 706452-603 LIGHT BROWN 706452-604 LIGHT GRAY</p> | |

WALL OPTIONS

| | | |
|---------------------------------------------------------------------------------------------------|------------------------------------------------------------------------------------------------------------------------------------------------------------------------------------------------------------------------------|---------------------------------------------------------------|
| <p>706371</p>  | <p>706371-701 BLUE 706371-702 YELLOW 706371-703 LIME 706371-704 DRARK GRAY 706371-705 LIGHT GRAY 706371-706 RED</p> | <p>706371-707 GREEN 706371-708 FUXIA</p> |
|---------------------------------------------------------------------------------------------------|------------------------------------------------------------------------------------------------------------------------------------------------------------------------------------------------------------------------------|---------------------------------------------------------------|

| | | | | | | | | | | | |
|----------------------------------------------------------------------------------|-----|-----------------------------------------------------------------------------------|-----|-----------------------------------------------------------------------------------|-----|-----------------------------------------------------------------------------------|-----|------------------------------------------------------------------------------------|-----|-------------------------------------------------------------------------------------|-----|
| ○ SLIDE | PCS | ○ SLIDE | PCS | ○ 706371 | PCS | ○ 706505 | PCS | ○ 901868 | PCS | ① 903093 | PCS |
|  | 1 |  | 1 |  | 2 |  | 2 |  | 1 |  | 2 |
| +1470 | | +870 | | 15x345x750 | | 35x70x730 | | Ø34x598 | | Ø8x90 | |
| ② 909876 | PCS | ③ 980100 | PCS | ④ 980128 | PCS | ⑤ 999561 | PCS | | | | |
|  | 2 |  | 12 |  | 11 |  | 1 | | | | |
| M8x40 | | Ø5x60 | | Ø7x40 | | 10g | | | | | |





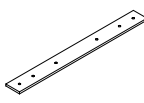
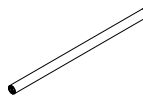

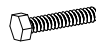
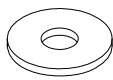
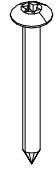
LAPPSET

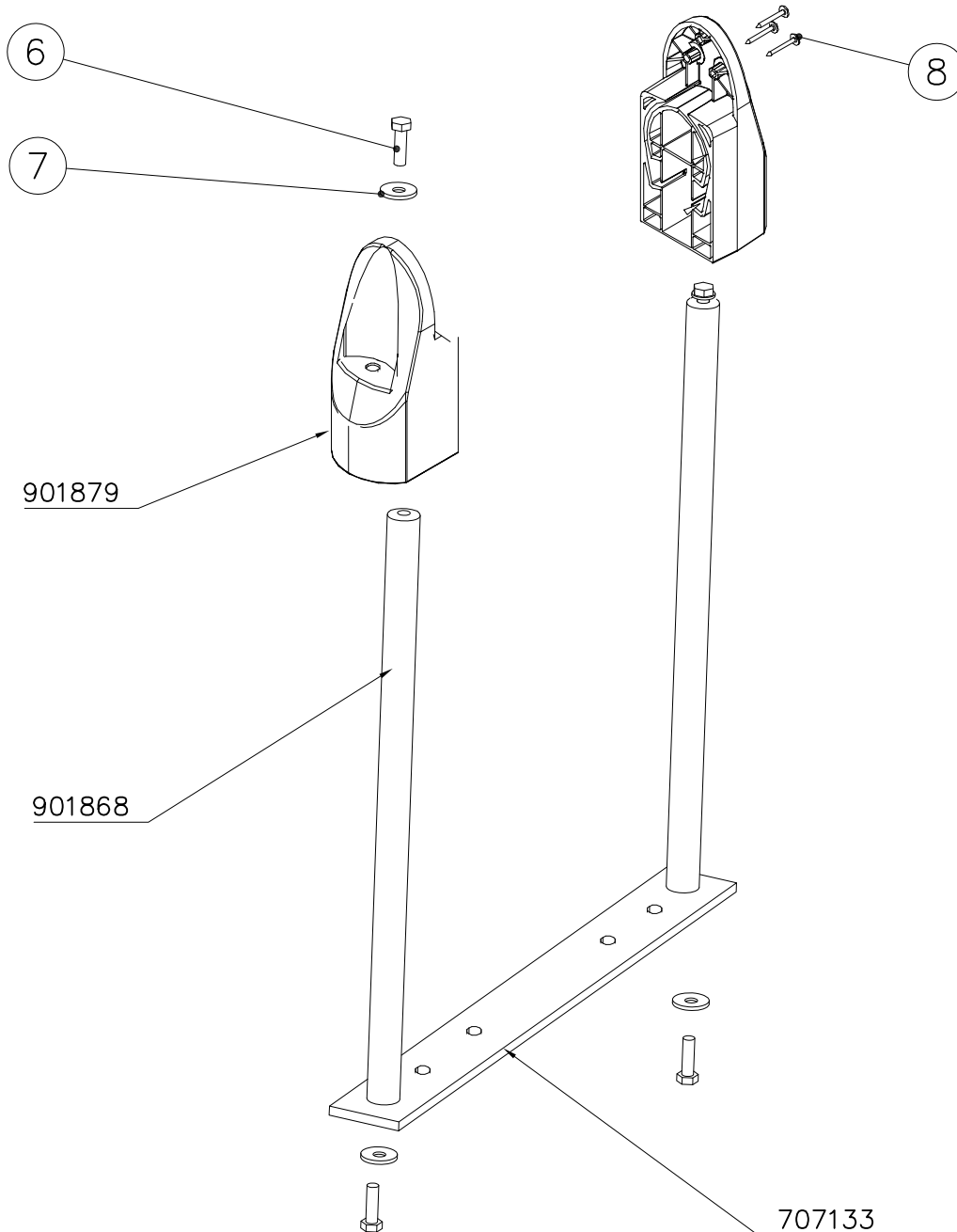
DEEP FOUNDATION

SLIDE WOOD

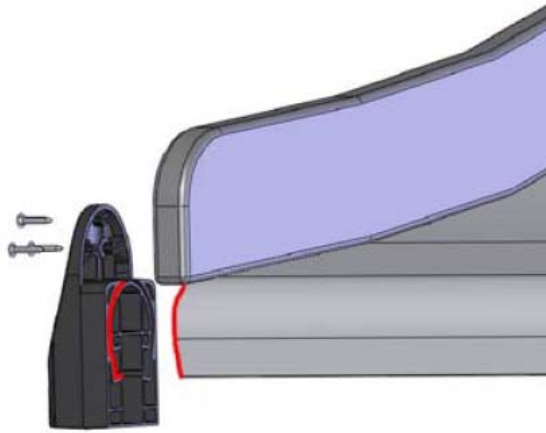
DATE: 3.11.2017

4(5)

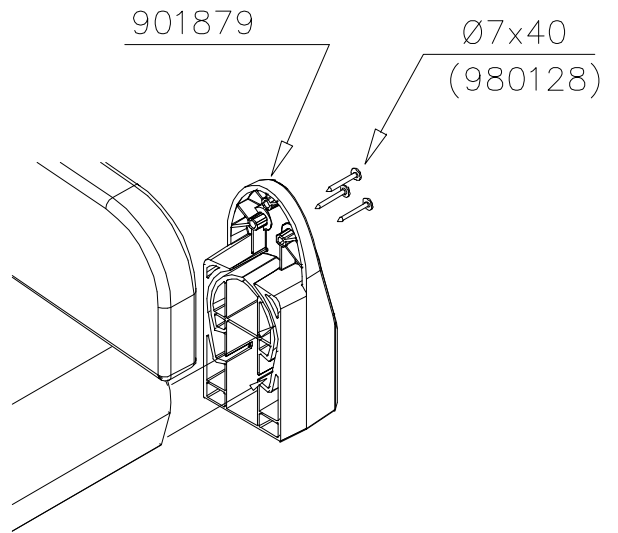
| | | | | | | | | | | | |
|----------------------------------------------------------------------------------|-----|-----------------------------------------------------------------------------------|-----|-----------------------------------------------------------------------------------|-----|-----------------------------------------------------------------------------------|-----|------------------------------------------------------------------------------------|-----|-------------------------------------------------------------------------------------|-----|
| ○ 707133 | PCS | ○ 901868 | PCS | ○ 901879 | PCS | ⑥ 909210 | PCS | ⑦ 905051 | PCS | ⑧ 980128 | PCS |
|  | 1 |  | 2 |  | 2 |  | 4 |  | 4 |  | 6 |
| 10x80x745 | | Ø30x598 | | | | M8x40 | | Ø24/8.4 | | Ø7x40 | |



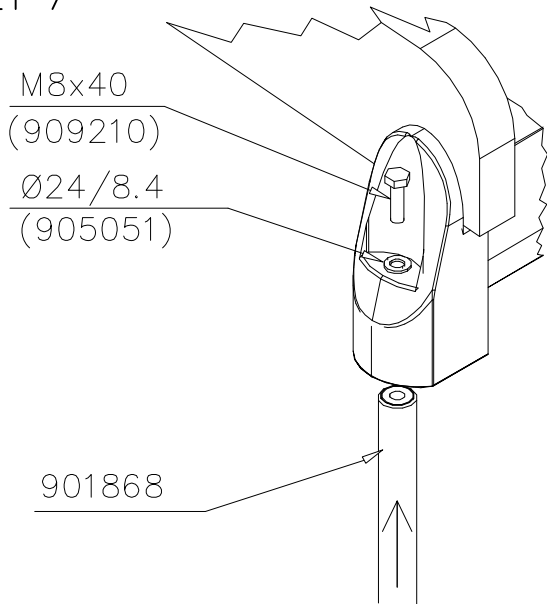
DET 6



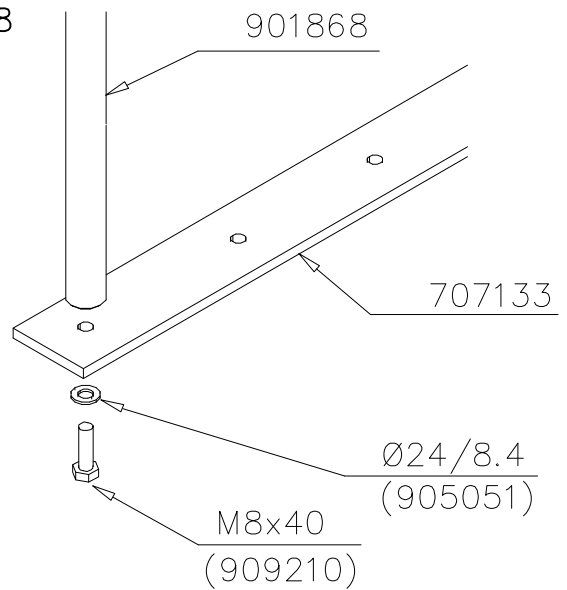
Insert sheet metal IN to the plastic cover.

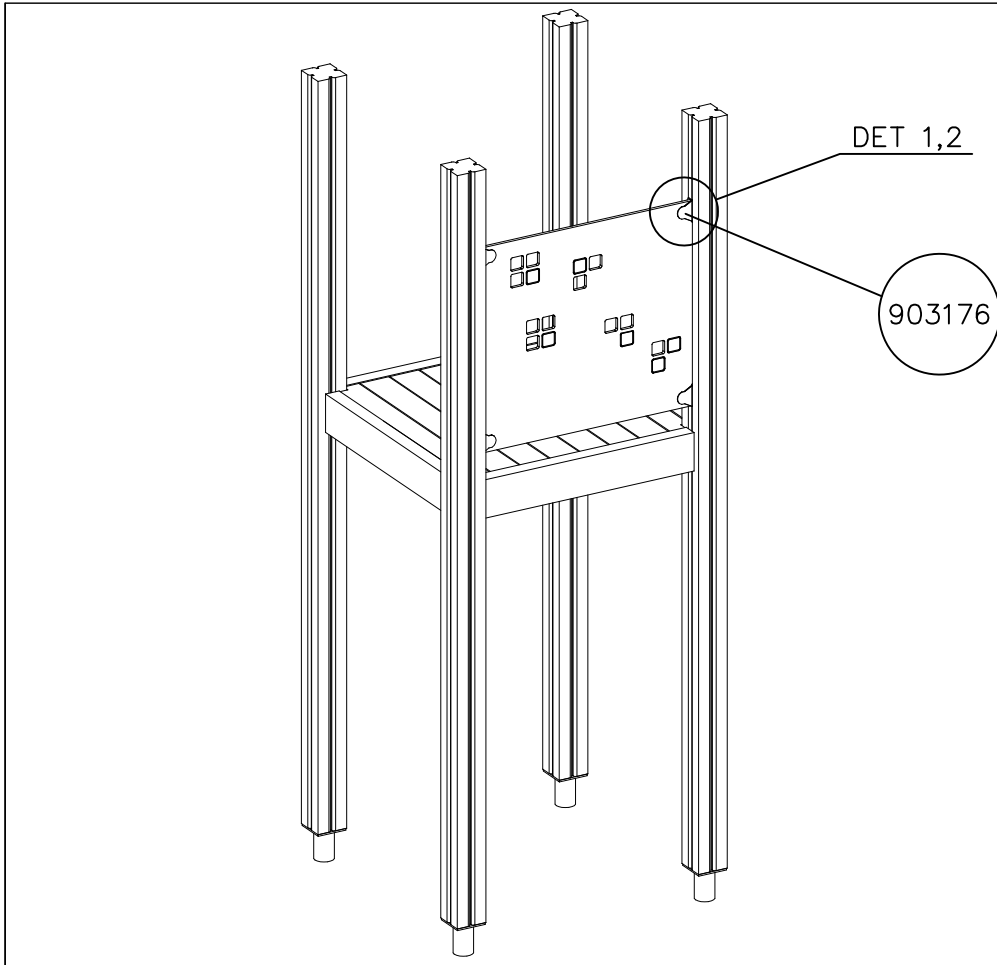


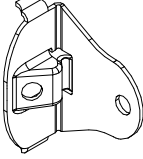
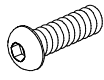
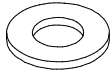
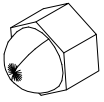

DET 7

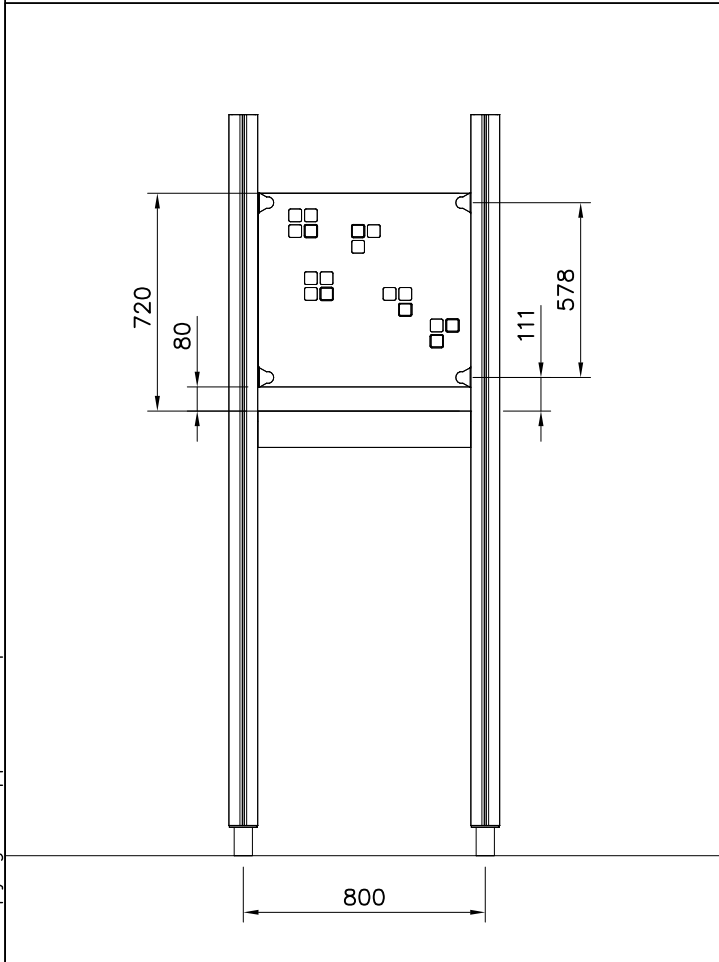


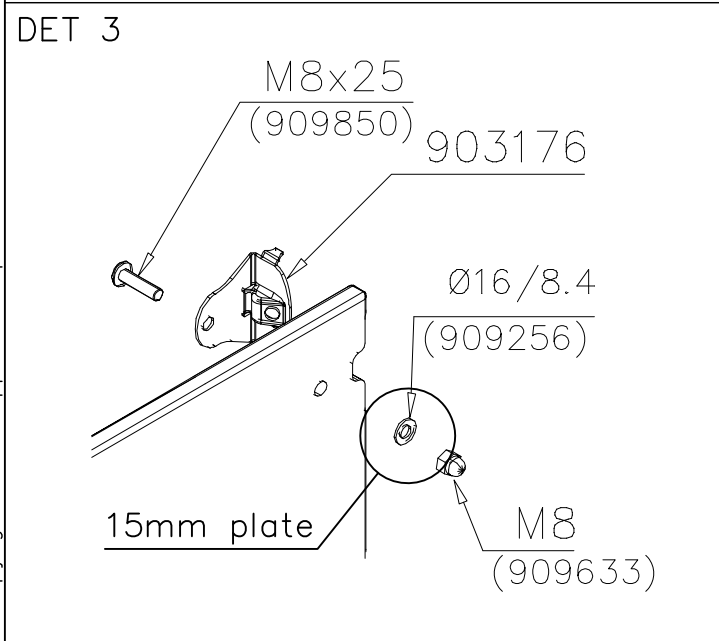
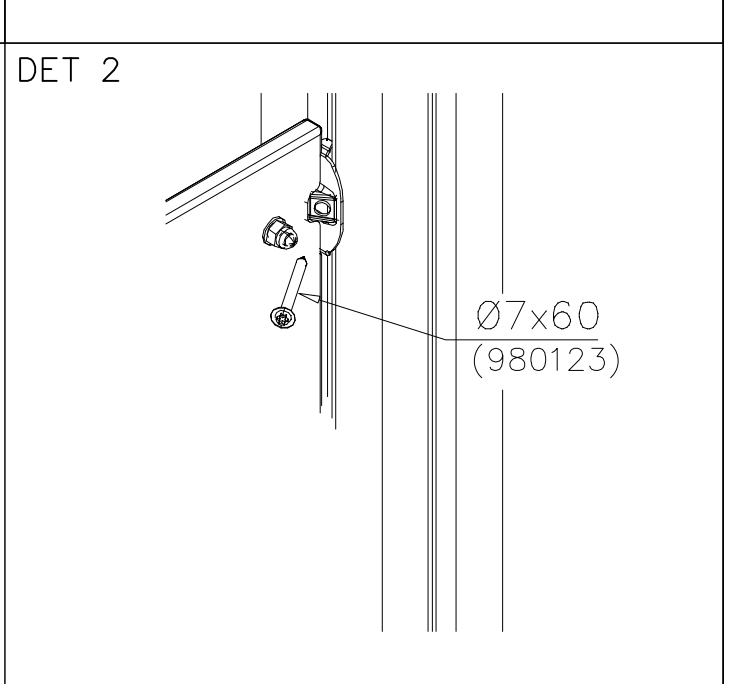
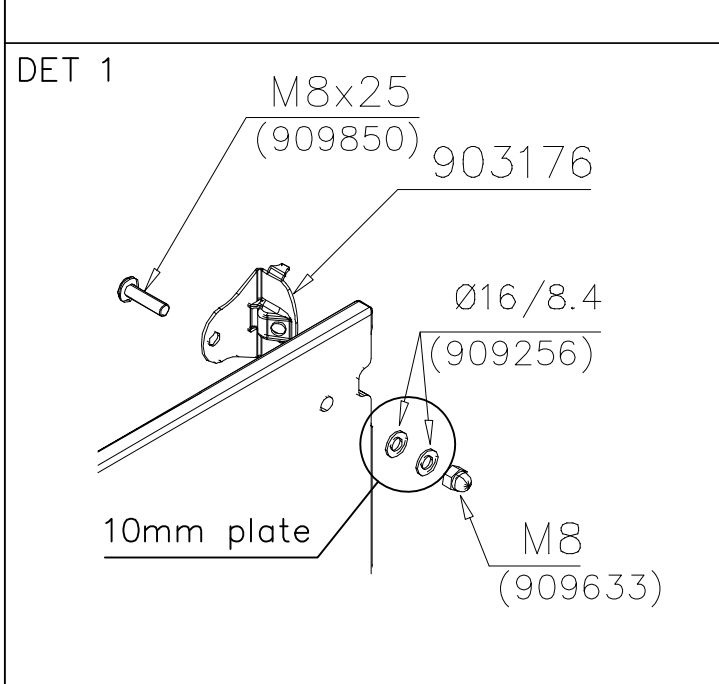
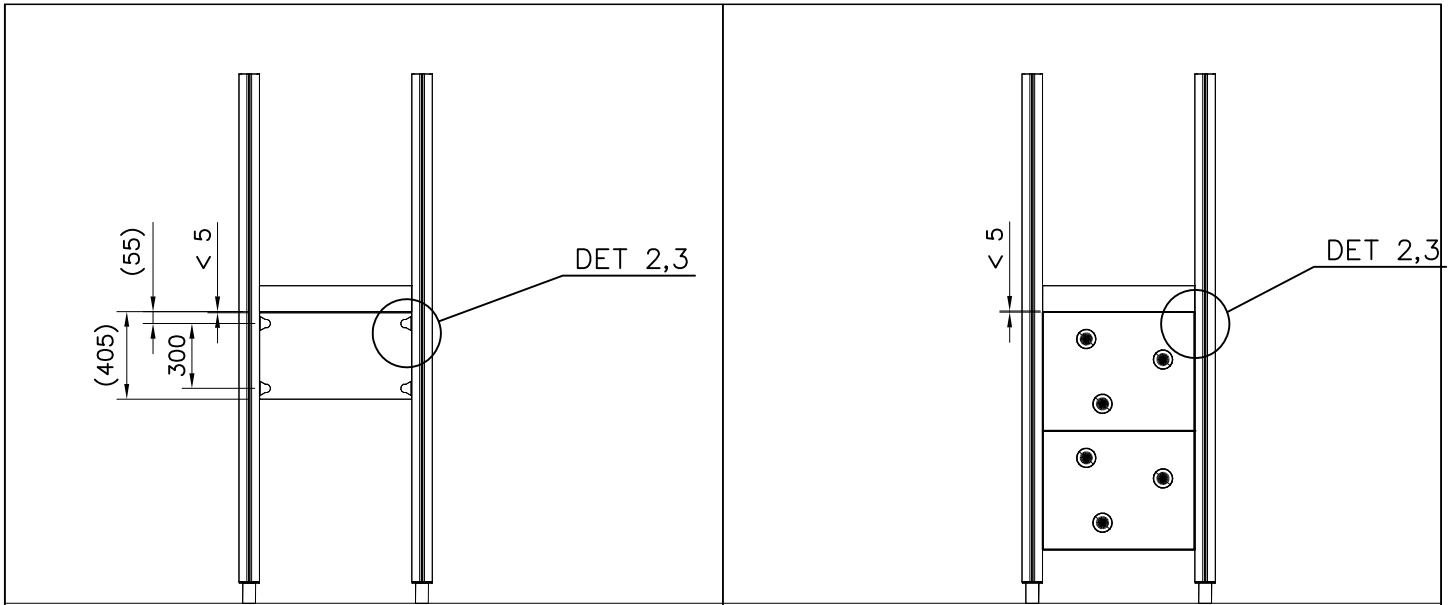
DET 8

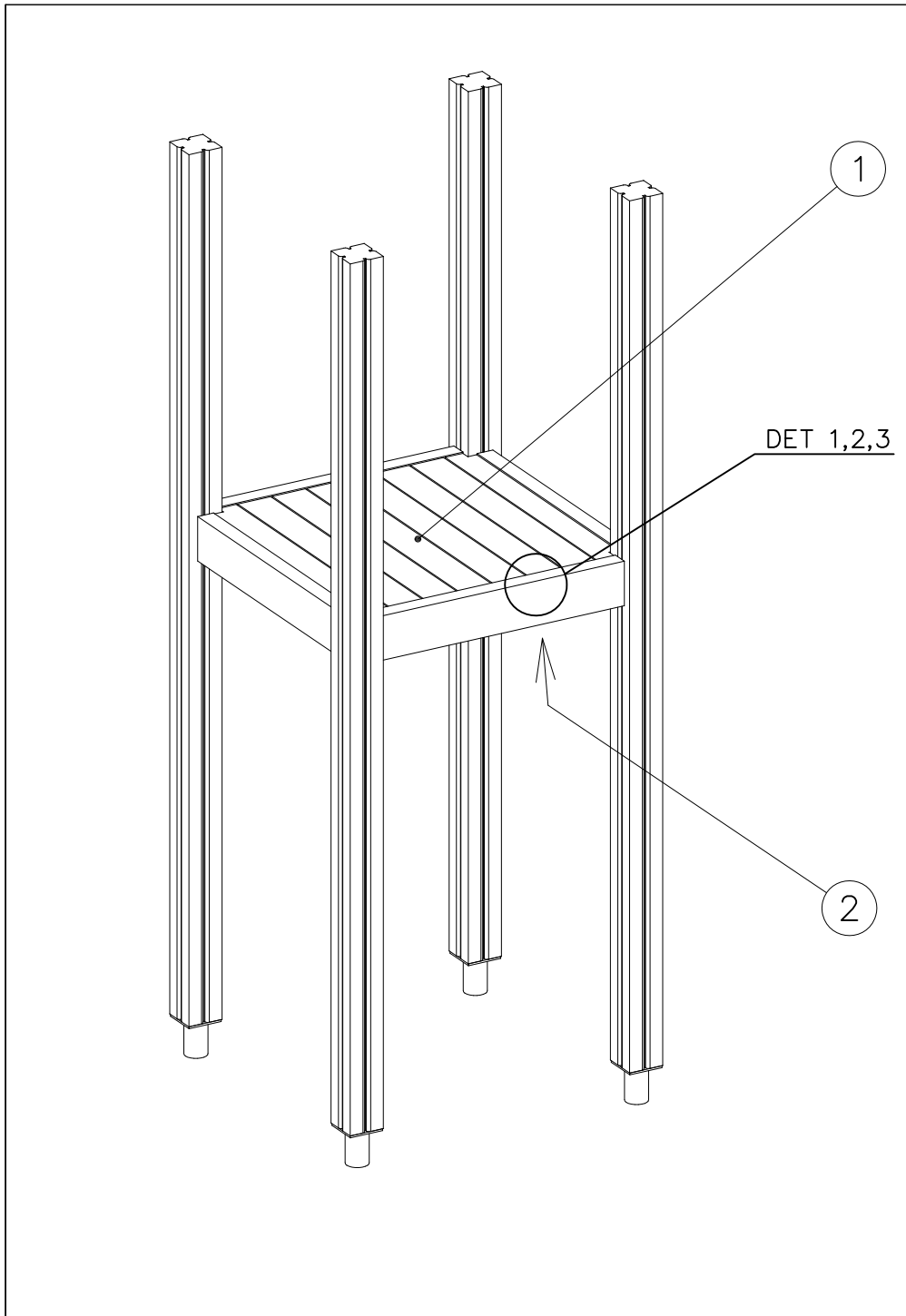


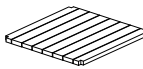
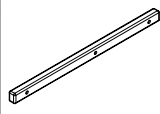
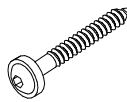



| | | | |
|-------------------------------------------------------------------------------------|-----|-------------------------------------------------------------------------------------|-----|
| ① 903176 | PCS | ② 909850 | PCS |
|  | 4 |  | 4 |
| | | M8x25 | |
| ③ 909256 | PCS | ④ 909633 | PCS |
|  | 8 |  | 4 |
| Ø16/8.4x1.6 | | M8 | |
| ⑤ 980123 | PCS | | PCS |
|  | 4 | | |
| Ø7x60 | | | |
| | PCS | | PCS |

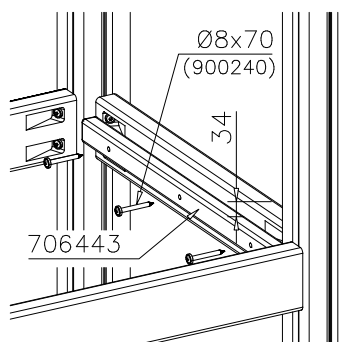






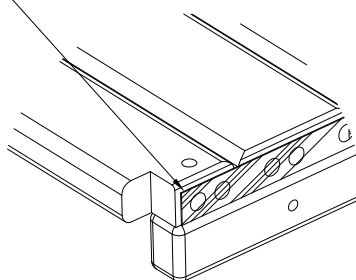
| | | | |
|-------------------------------------------------------------------------------------|-----|-------------------------------------------------------------------------------------|-----|
| ① 008986 | PCS | ② 706443 | PCS |
|  | 1 |  | 2 |
| 750x750 | | 32x45x702 | |
| ③ 900240 | PCS | ④ 980101 | PCS |
|  | 6 |  | 8 |
| Ø8x70 | | Ø4.5x70 | |
| | PCS | | PCS |
| | | | |
| | PCS | | PCS |
| | | | |
| | PCS | | PCS |
| | | | |

DET 1

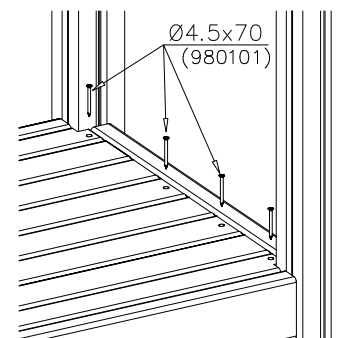


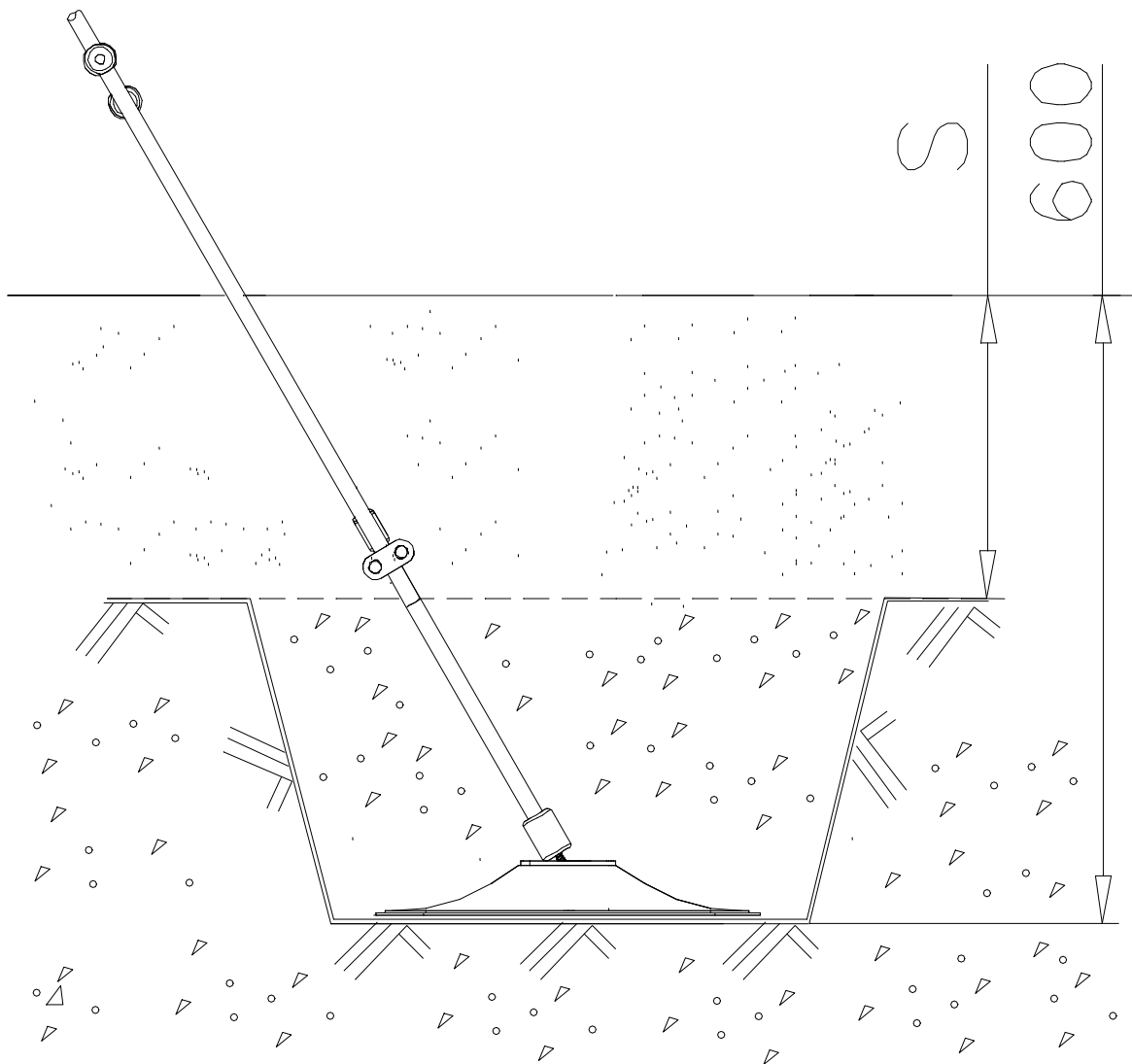
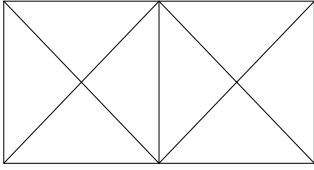
DET 2

Naulanauha kannatinlistan puolelle.
Nail list to the bottom.



DET 3



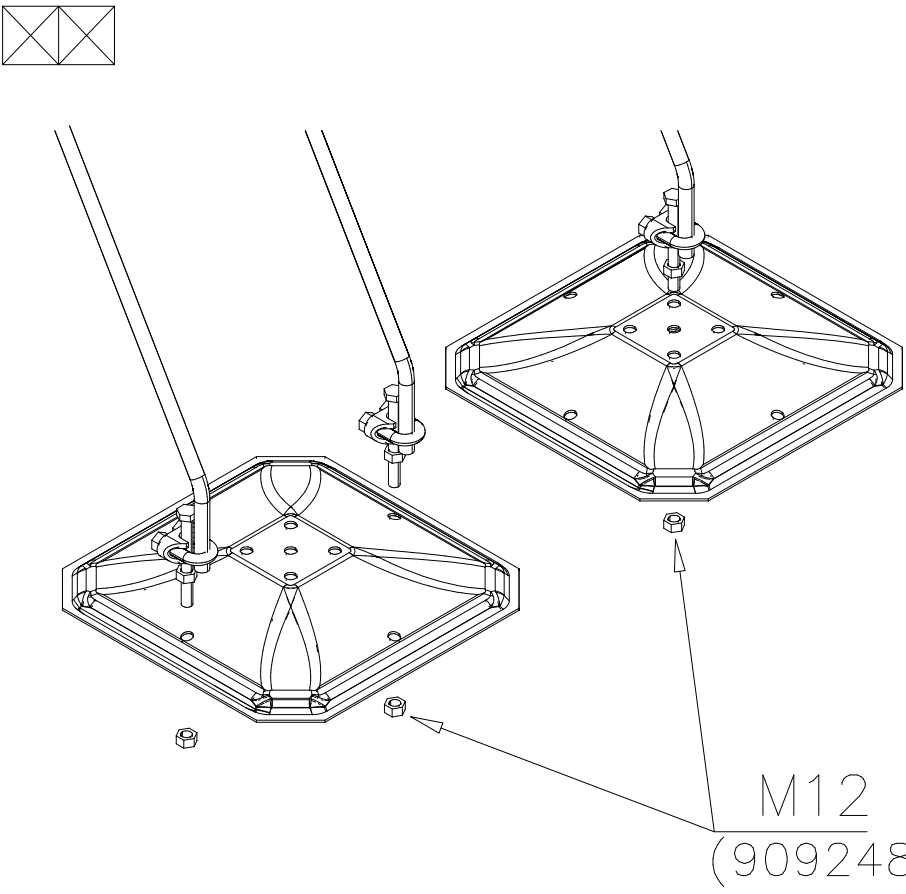


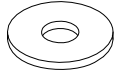
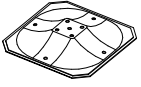
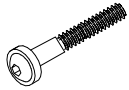


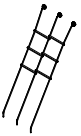
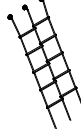
LAPPSET® DEEP FOUNDATION

ROPE LADDER

DATE: 30.6.2016

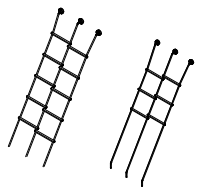
1(1)



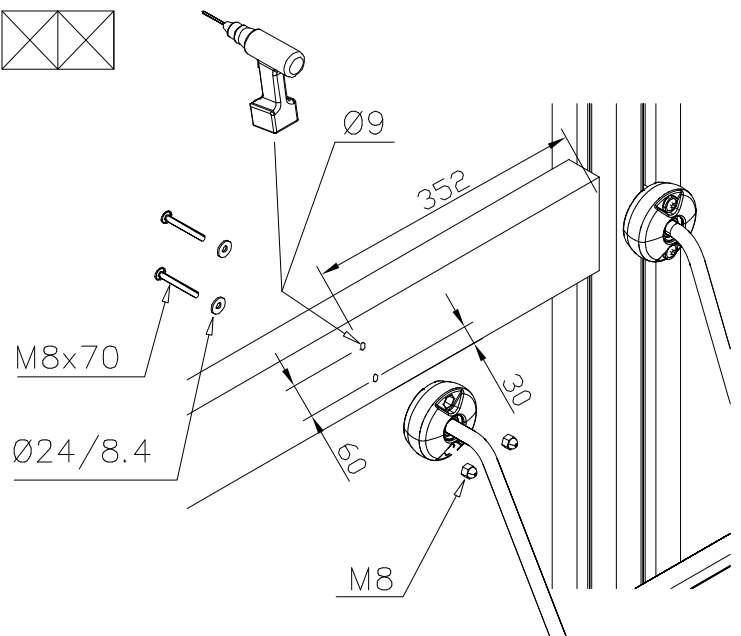
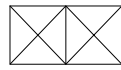
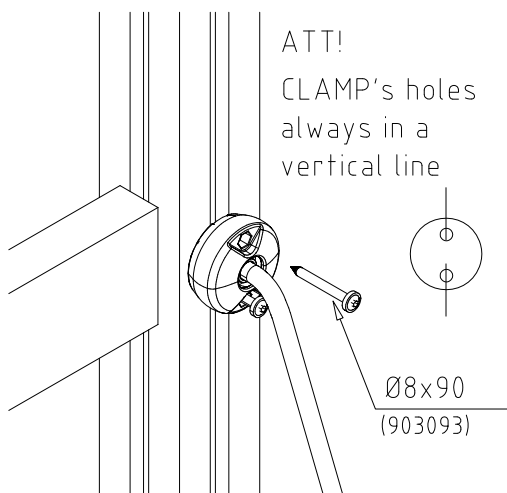
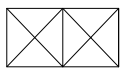
| | | | |
|---------------------------------------------------------------------------------------|-----|---------------------------------------------------------------------------------------|-----|
| ① 905051 | PCS | ② 909519 | PCS |
|  | 2 |  | 2 |
| Ø24/8.4 | | 50x380x380 | |
| ③ 909867 | PCS | ④ 909633 | PCS |
|  | 2 |  | 2 |
| M8x70 | | M8 | |
| ⑤ 903093 | PCS | | PCS |
|  | 4 | | |
| Ø8x90 | | | |
| ○ 706462 | PCS | ○ 707393 | PCS |
|  | 1 |  | 1 |
| +1470 | | +1970 | |

M12
(909248)

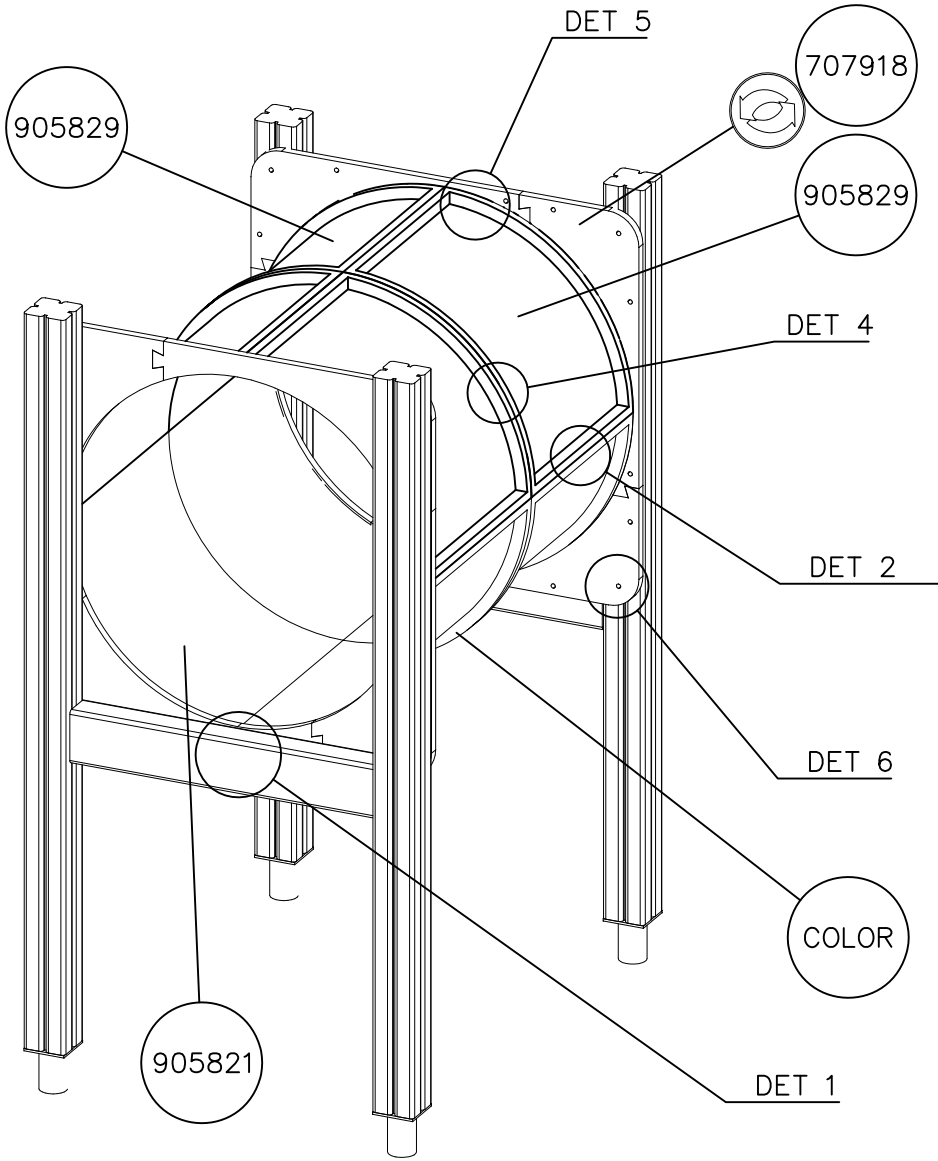
ROPE LADDER COLOR OPTIONS



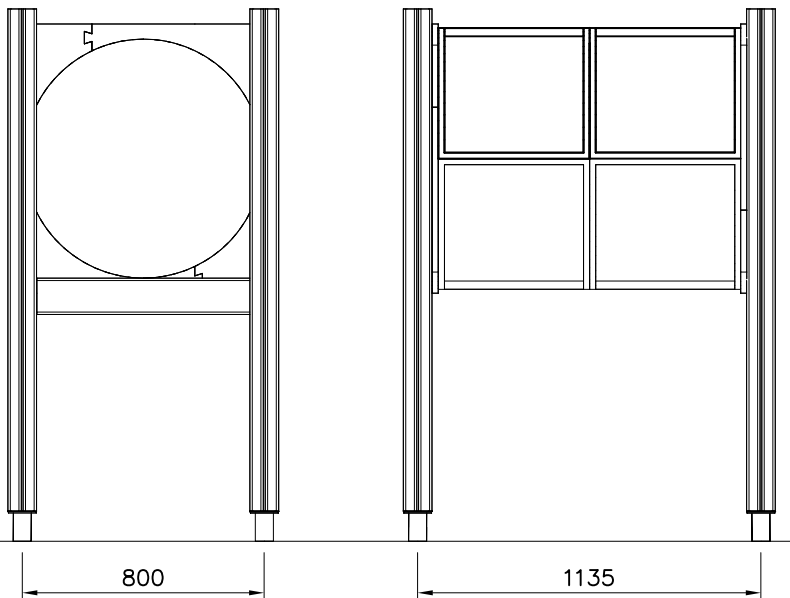
| | |
|------------|--------|
| xxxxxx-301 | BLUE |
| xxxxxx-302 | RED |
| xxxxxx-303 | BEIGE |
| xxxxxx-304 | GRAY |
| xxxxxx-305 | BLACK |
| xxxxxx-306 | YELLOW |



DETAILS IN TUBE INSTALLATION GENERAL PAGE



| | | | |
|------------|------------|-------------|------------|
| ① 905112 | PCS 112 | ② 900240 | PCS 26 |
| | | | |
| Ø22 | | Ø8x70 | |
| ③ 903533 | PCS 12 | ④ 905831 | PCS 112 |
| | | | |
| SRL12 | | Ø32x19 | |
| ⑤ 909205 | PCS 40 | ⑥ 909208 | PCS 32 |
| | | | |
| M8x60 | | M8 | |
| ⑦ 909866 | PCS 32 | ⑧ 980150 | PCS 40 |
| | | | |
| M8x60 | | M8 | |
| ○ 707918 | PCS 8 | ○ 905829 | PCS 4 |
| | | | |
| 20x275x640 | | Transparent | |
| | | ○ COLOR | PCS 4 |
| | | | |

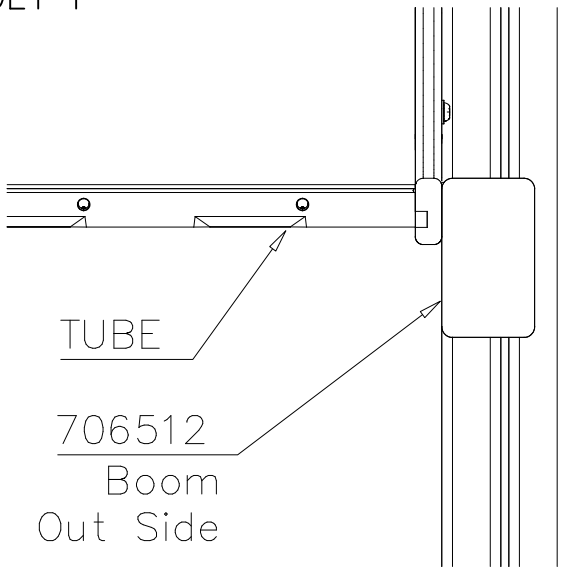


707918 COLOR OPTIONS

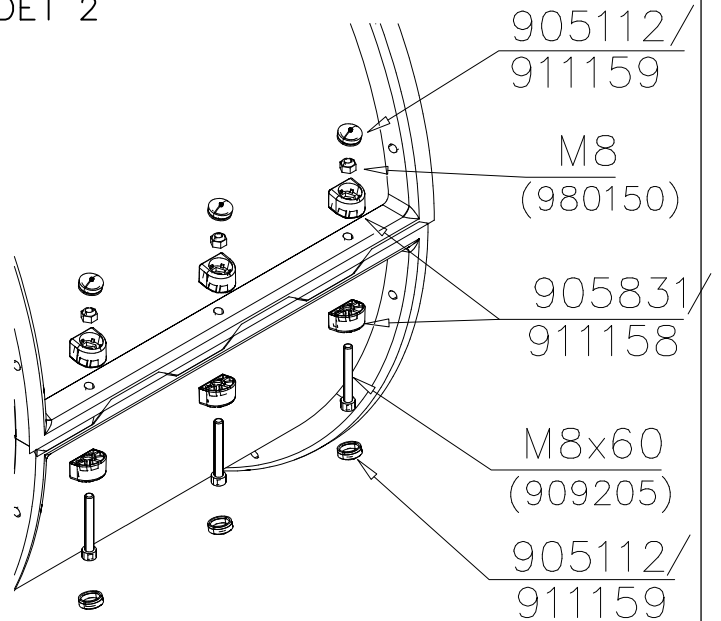
- 701 BLUE
- 702 YELLOW
- 703 LIME
- 704 DARK GRAY
- 705 GRAY
- 706 RED
- 707 GREEN
- 708 FUCHSIA

DATE: 25.10.2024

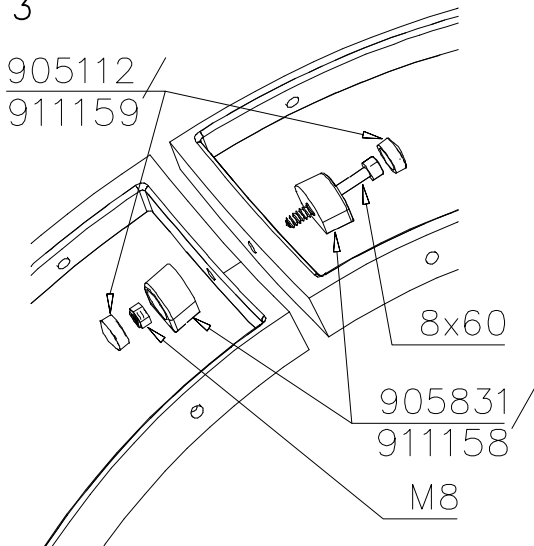
DET 1



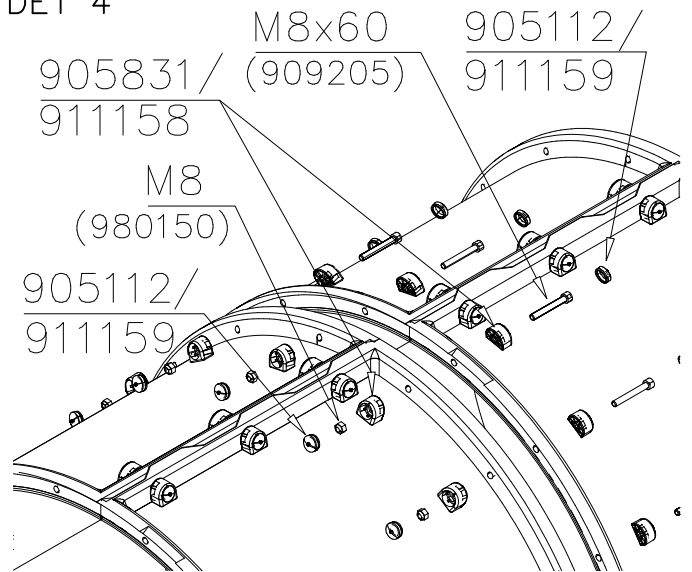
DET 2



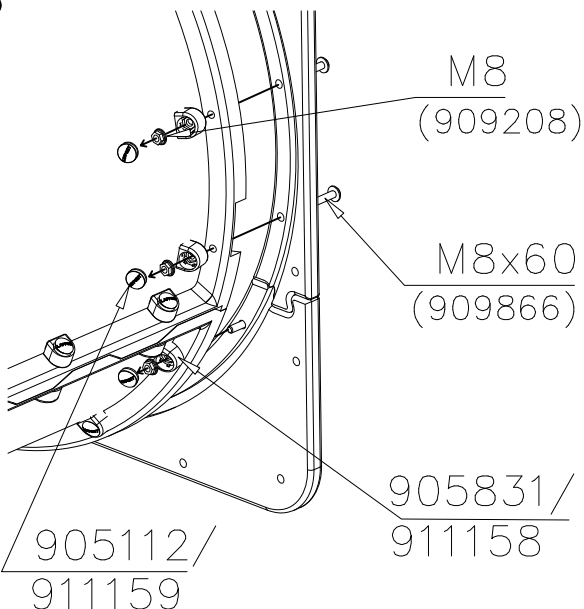
DET 3



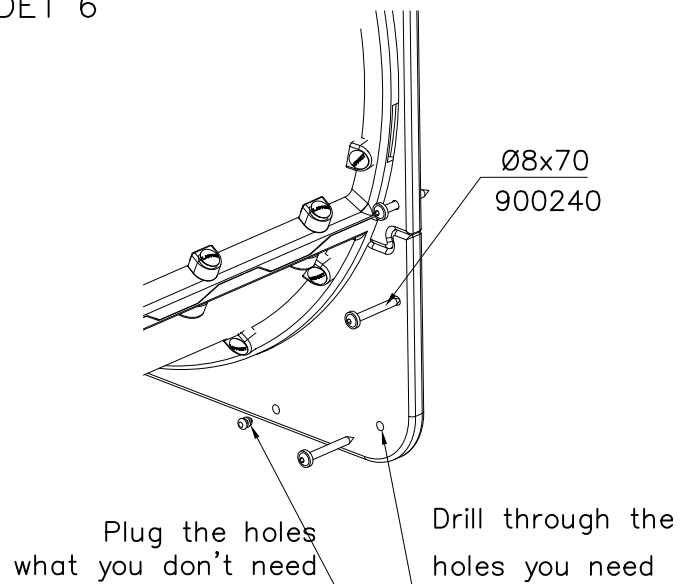
DET 4

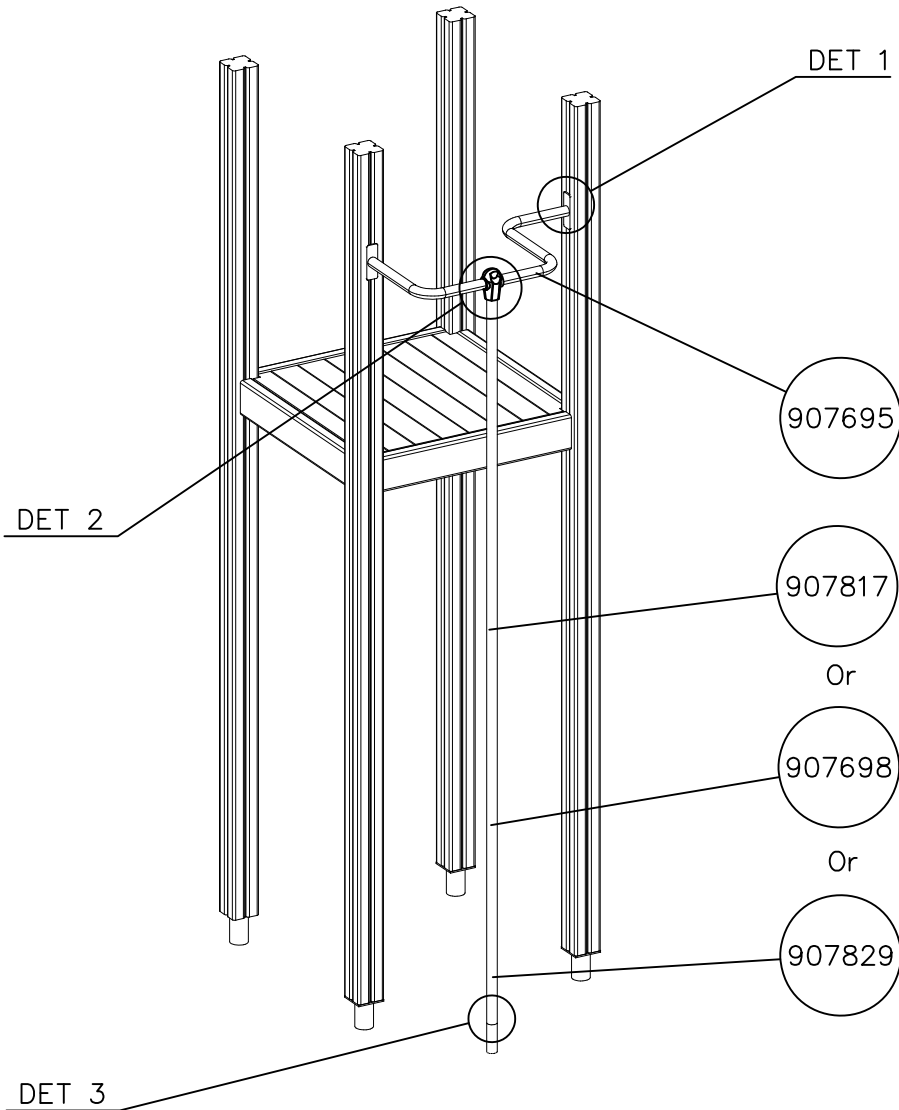


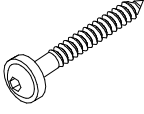
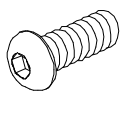
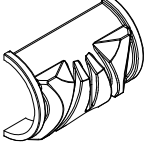

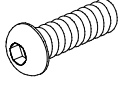

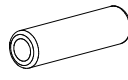




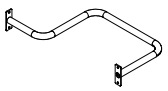
DET 5

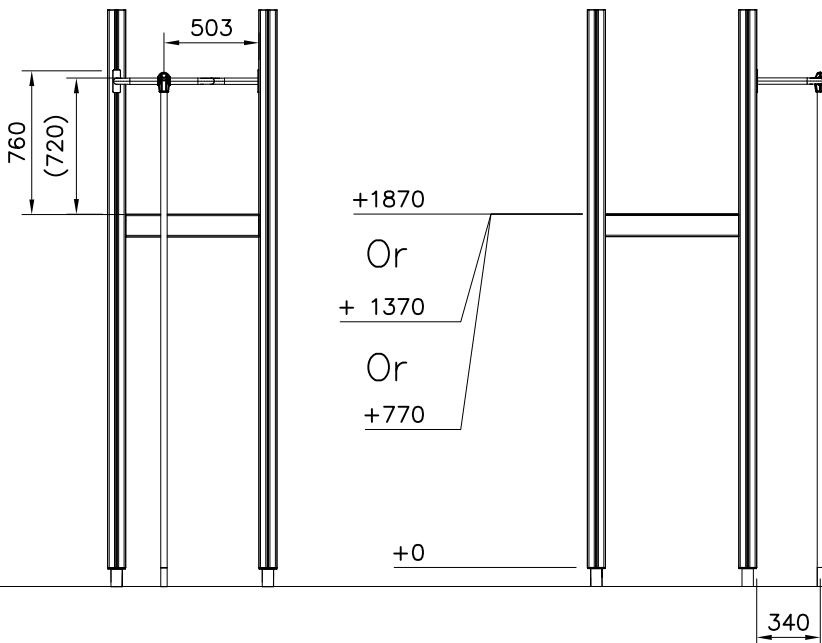


DET 6

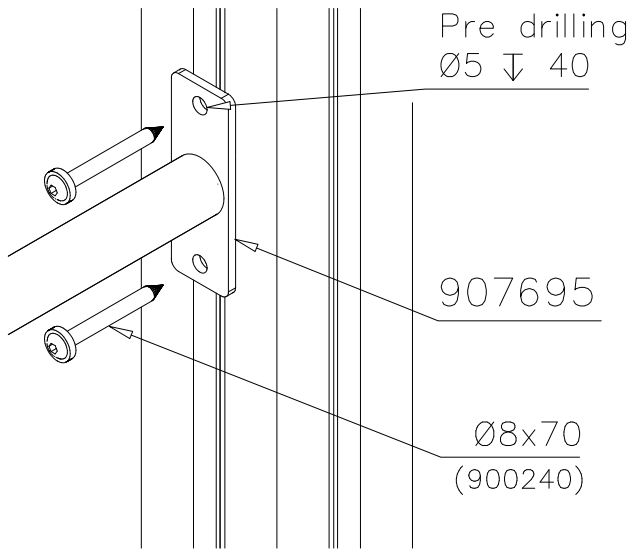




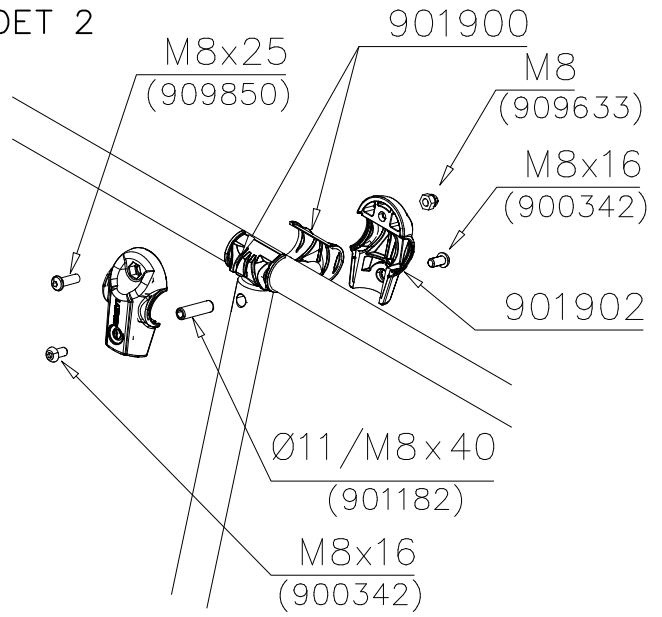
| | | | |
|---------------------------------------------------------------------------------------|-----|---------------------------------------------------------------------------------------|-----|
| ① 900240 | PCS | ② 900342 | PCS |
|  | 4 |  | 2 |
| Ø8x70 | | M8x16 | |
| ③ 901900 | PCS | ④ 901939 | PCS |
|  | 2 |  | 1 |
| 20.5x36.2x56 | | M12x70 | |
| ⑤ 909850 | PCS | ⑥ 980150 | PCS |
|  | 1 |  | 1 |
| M8x25 | | M8 | |
| ⑦ 901182 | PCS | ⑧ 901902 | PCS |
|  | 1 |  | 2 |
| Ø11/M8x40 | | 30.7x60.9x100 | |
| | PCS | | PCS |
| | | | |
| | PCS | | PCS |
| | | | |
| ○ 907829 | PCS | ○ 907698 | PCS |
|  | 1 |  | 1 |
| Ø33,7x1454 | | Ø33,7x2054 | |
| ○ 907817 | PCS | ○ 907695 | PCS |
|  | 1 |  | 1 |
| Ø33,7x2554 | | | |



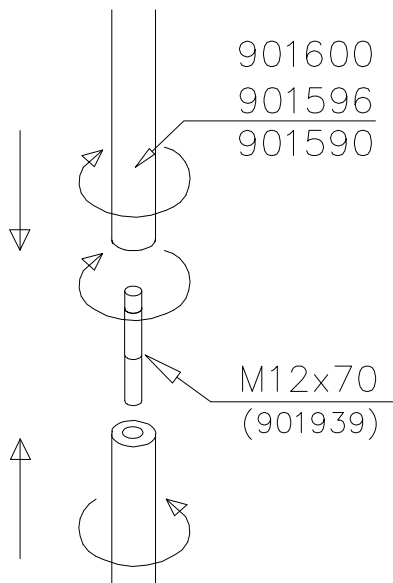
DET 1



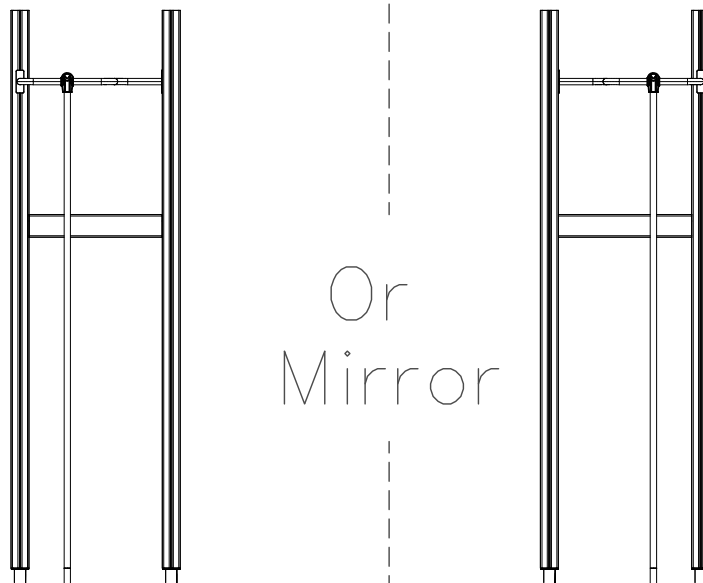
DET 2



DET 3



DET 4

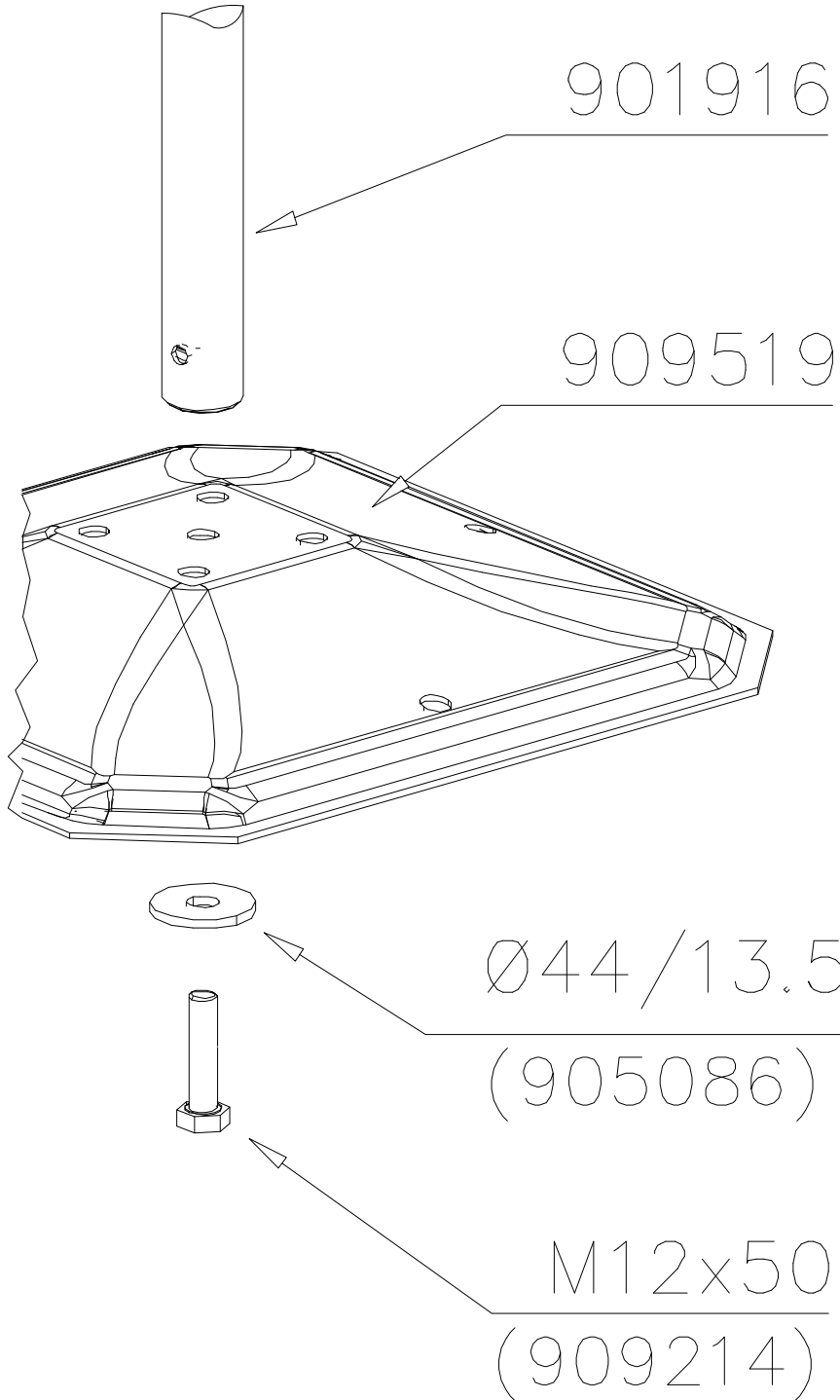
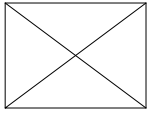


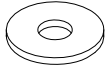
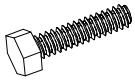
LAPPSET® DEEP FOUNDATION

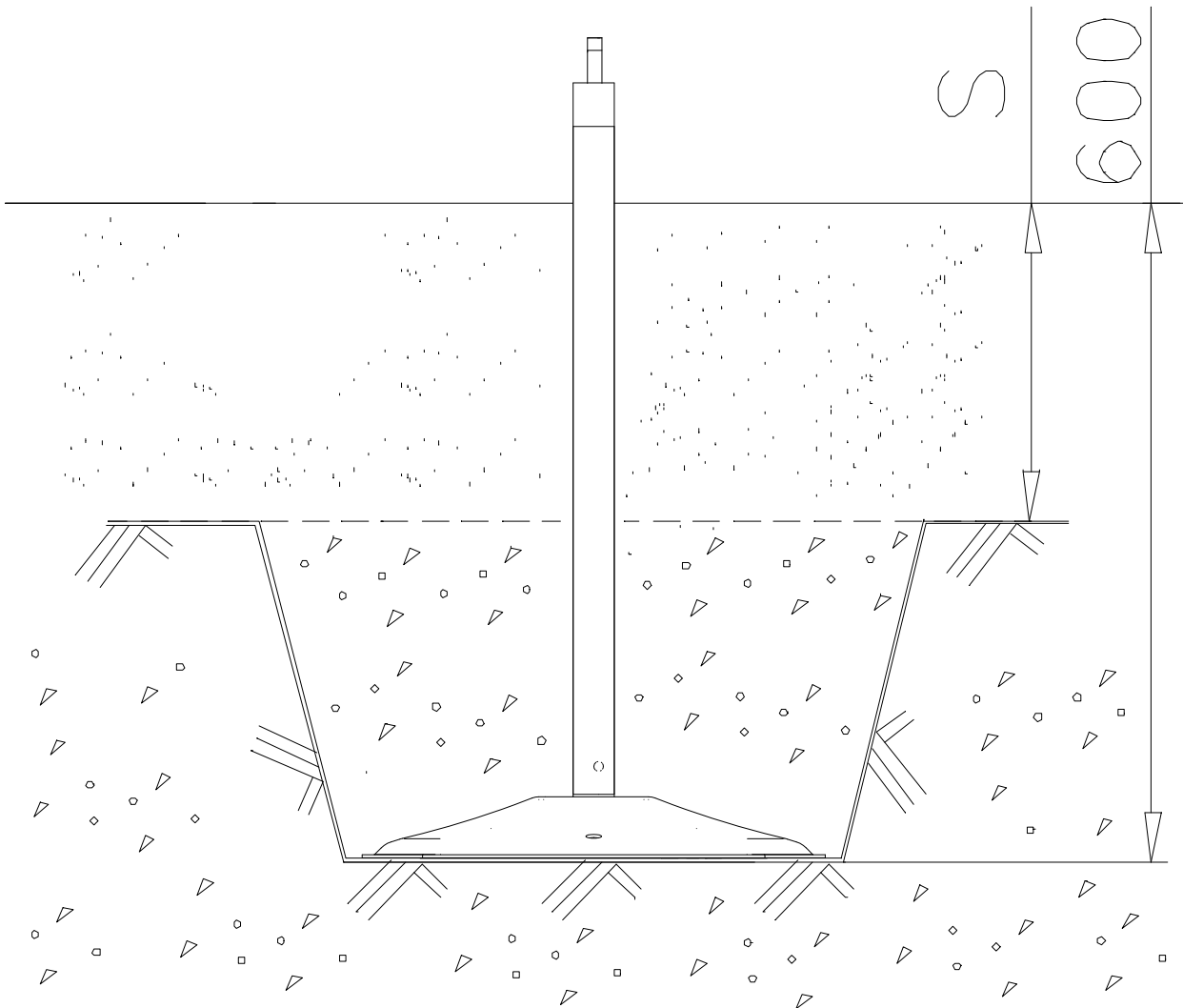
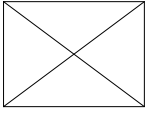
POLE

DATE: 15.5.2014

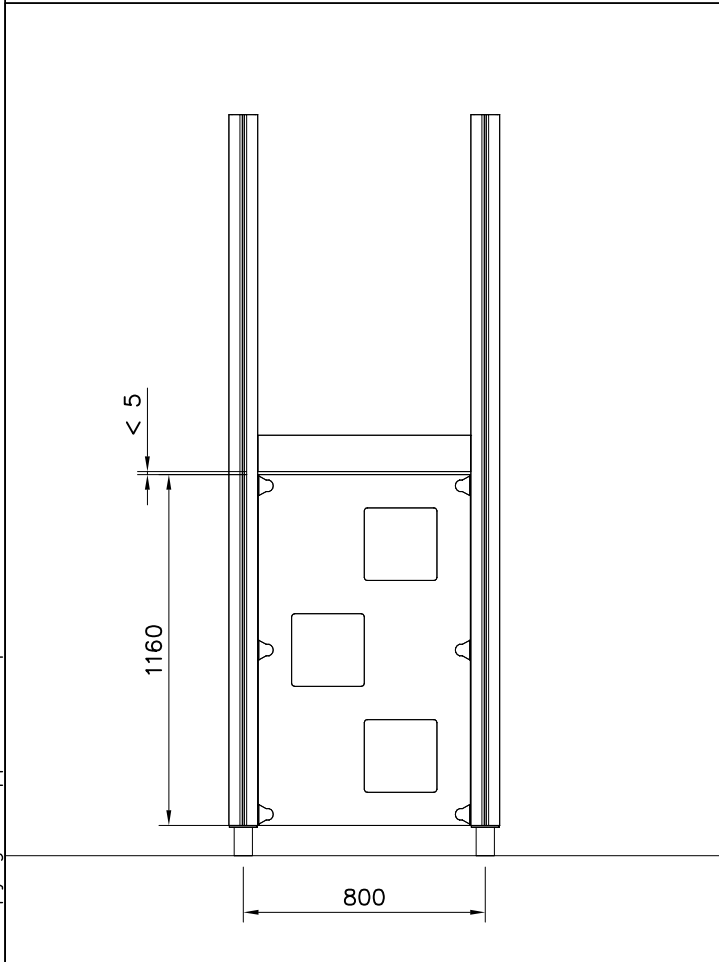
1(1)



| ① | 905086 | PCS | ② | 909214 | PCS |
|---|-------------------------------------------------------------------------------------|-----|-------------------------------------------------------------------------------------|--------|-----|
| |  | 1 |  | | 1 |
| | Ø44/13.5 | | M12x50 | | |
| | | PCS | | | PCS |
| | | | | | |
| | | PCS | | | PCS |
| | | | | | |
| | | PCS | | | PCS |
| | | | | | |
| | | PCS | | | PCS |
| | | | | | |
| | | PCS | | | PCS |
| | | | | | |
| | | PCS | | | PCS |
| | | | | | |
| | | PCS | | | PCS |
| | | | | | |
| | | PCS | | | PCS |
| | | | | | |

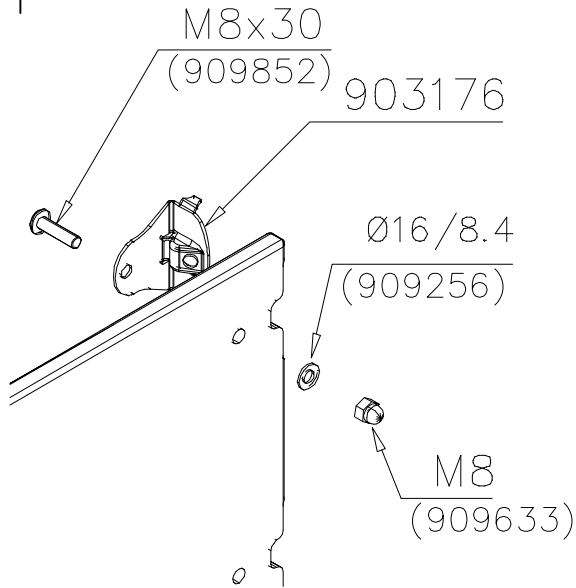


| | | | |
|-------------|-----|----------|-----|
| ① 903176 | PCS | ② 909852 | PCS |
| | 6 | | 6 |
| | | M8x30 | |
| ③ 909256 | PCS | ④ 909633 | PCS |
| | 6 | | 6 |
| Ø16/8.4x1.6 | | M8 | |
| ⑤ 980123 | PCS | | PCS |
| | 6 | | |
| Ø7x60 | | | |
| | PCS | | PCS |

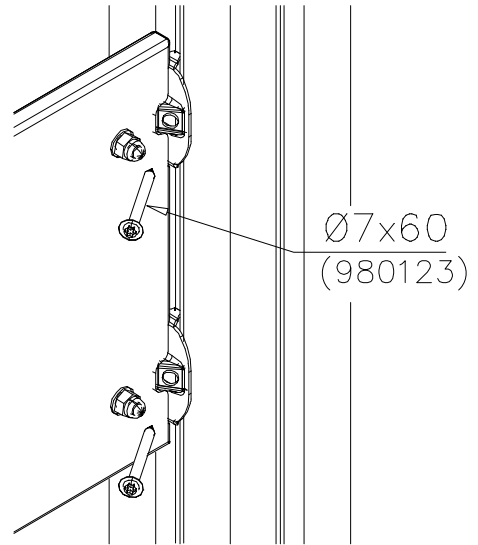


| WALL OPTIONS | | |
|---------------------------|--------------------------------------------------------------------------------------------------------------|----------------------------------------------------------------------------|
| 706507 20x702x1160 | 706507-701 706507-702 706507-703 706507-704 706507-705 706507-706 706507-707 706507-708 | BLUE YELLOW LIME DARK GRAY LIGHT GRAY RED GREEN FUXIA |
| | | |
| | | |

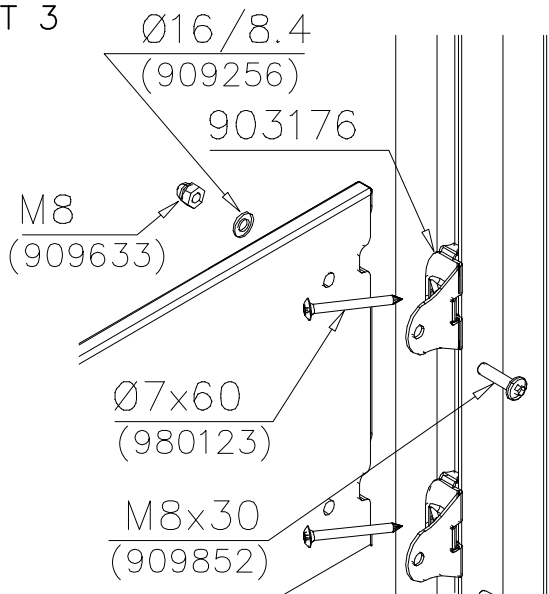
DET 1

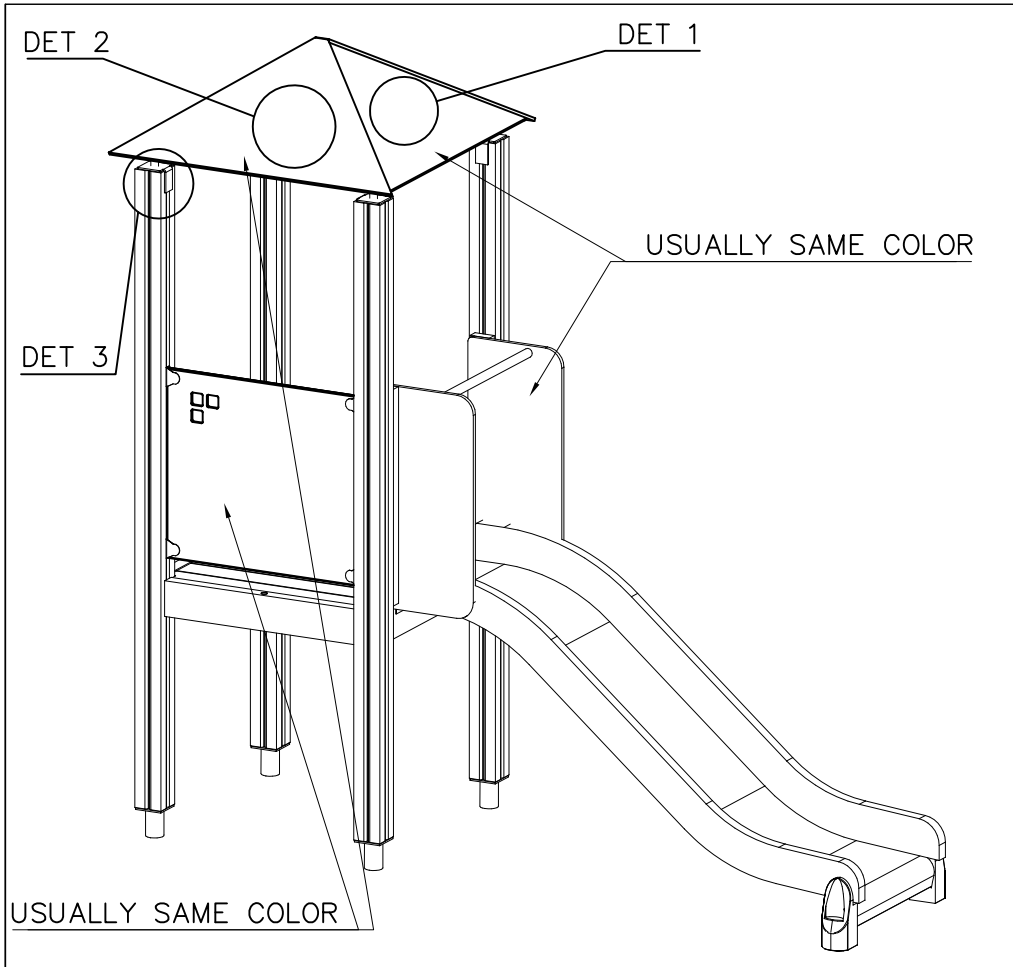


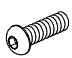


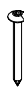
DET 2

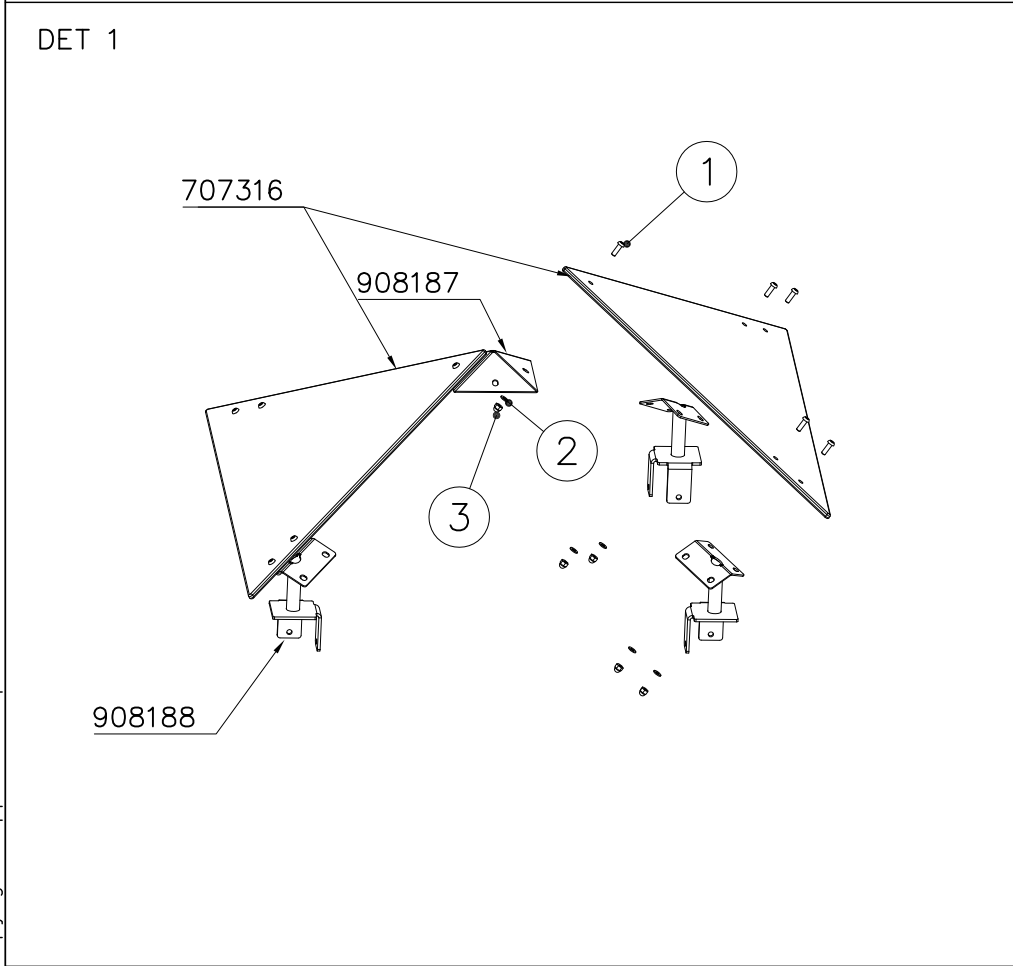


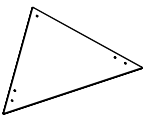
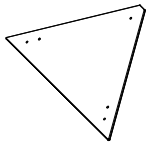
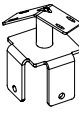
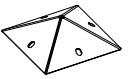
DET 3



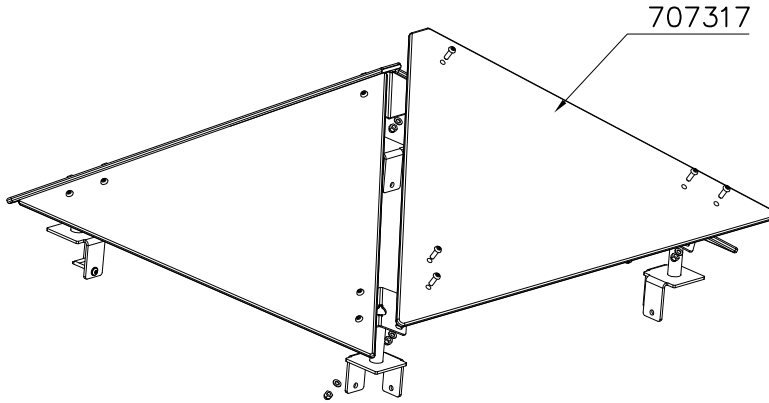


| | | | |
|-------------------------------------------------------------------------------------|-----------|-------------------------------------------------------------------------------------|-----------|
| ① 909850 | PCS 20 | ② 909256 | PCS 28 |
|  | |  | |
| M8x25 | | Ø16/8.4 | |
| ③ 909633 | PCS 20 | ④ 980123 | PCS 8 |
|  | |  | |
| M8 | | Ø7x60 | |
| | PCS | | PCS |
| | | | |
| | PCS | | PCS |
| | | | |



| | | | |
|---------------------------------------------------------------------------------------|----------|---------------------------------------------------------------------------------------|----------|
| | PCS | | PCS |
| ○ 707316 | PCS 2 | ○ 707317 | PCS 2 |
|  | |  | |
| ○ 908188 | PCS 4 | ○ 908187 | PCS 1 |
|  | |  | |
| | PCS | | PCS |
| | | | |

DET 2



DET 3

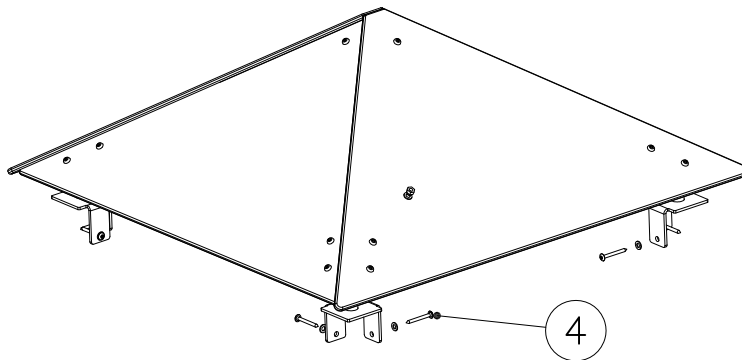
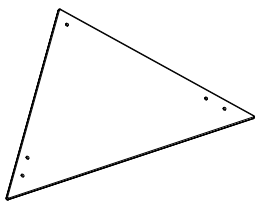


PLATE COLOR OPTIONS

707316

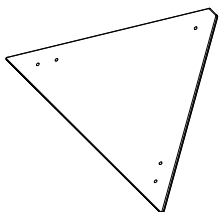


10x572x949

- 701 BLUE
- 702 YELLOW
- 703 LIME
- 704 DARK GRAY
- 705 LIGHT GRAY
- 706 RED
- 707 GREEN
- 708 FUXIA

IF PRODUCT HAS A SLIDE,
THEN THE SAME COLOR AS
START-OFF PLATES

707317



10x591x1013

- 701 BLUE
- 702 YELLOW
- 703 LIME
- 704 DARK GRAY
- 705 LIGHT GRAY
- 706 RED
- 707 GREEN
- 708 FUXIA

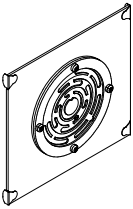
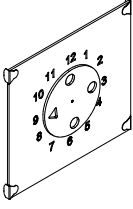
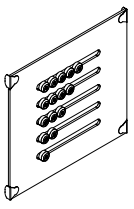
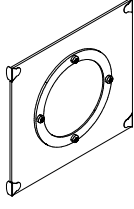
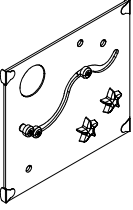
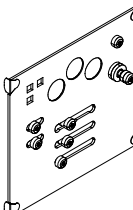
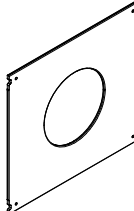
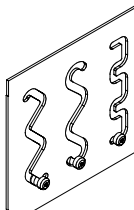
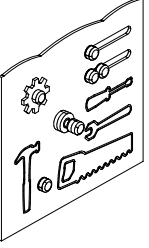
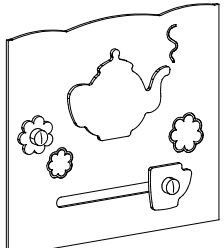
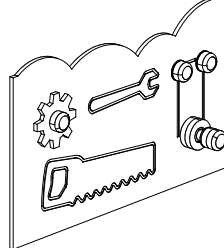
IF PRODUCT HAS A WALLS,
THEN THE SAME COLOR AS
WALL PLATES

| | | | |
|-------------|-----|----------|-----|
| ① 903176 | PCS | ② 909850 | PCS |
| | 4 | | 4 |
| | | M8x25 | |
| ③ 909256 | PCS | ④ 909633 | PCS |
| | 8 | | 4 |
| Ø16/8.4x1.6 | | M8 | |
| ⑤ 980123 | PCS | | PCS |
| | 4 | | |
| Ø7x60 | | | |

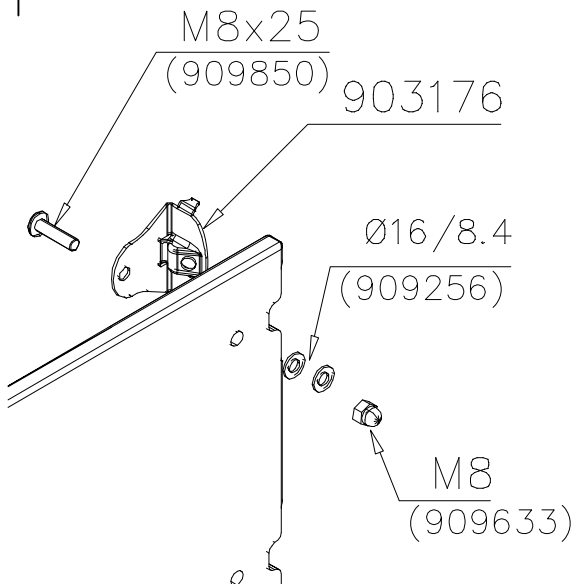
***Note:**
No gaps between:
8–25mm
89–230mm

| COLOR OPTIONS | |
|---------------|------------|
| -701 | BLUE |
| -702 | YELLOW |
| -703 | LIME |
| -704 | DARK GRAY |
| -705 | LIGHT GRAY |
| -706 | RED |
| -707 | GREEN |
| -708 | FUXIA |

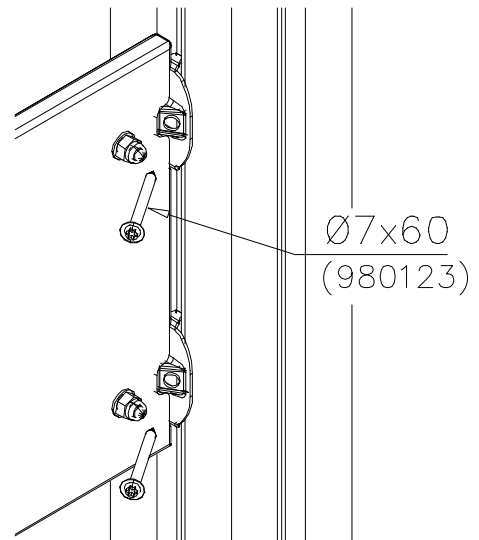
GAME WALL OPTIONS

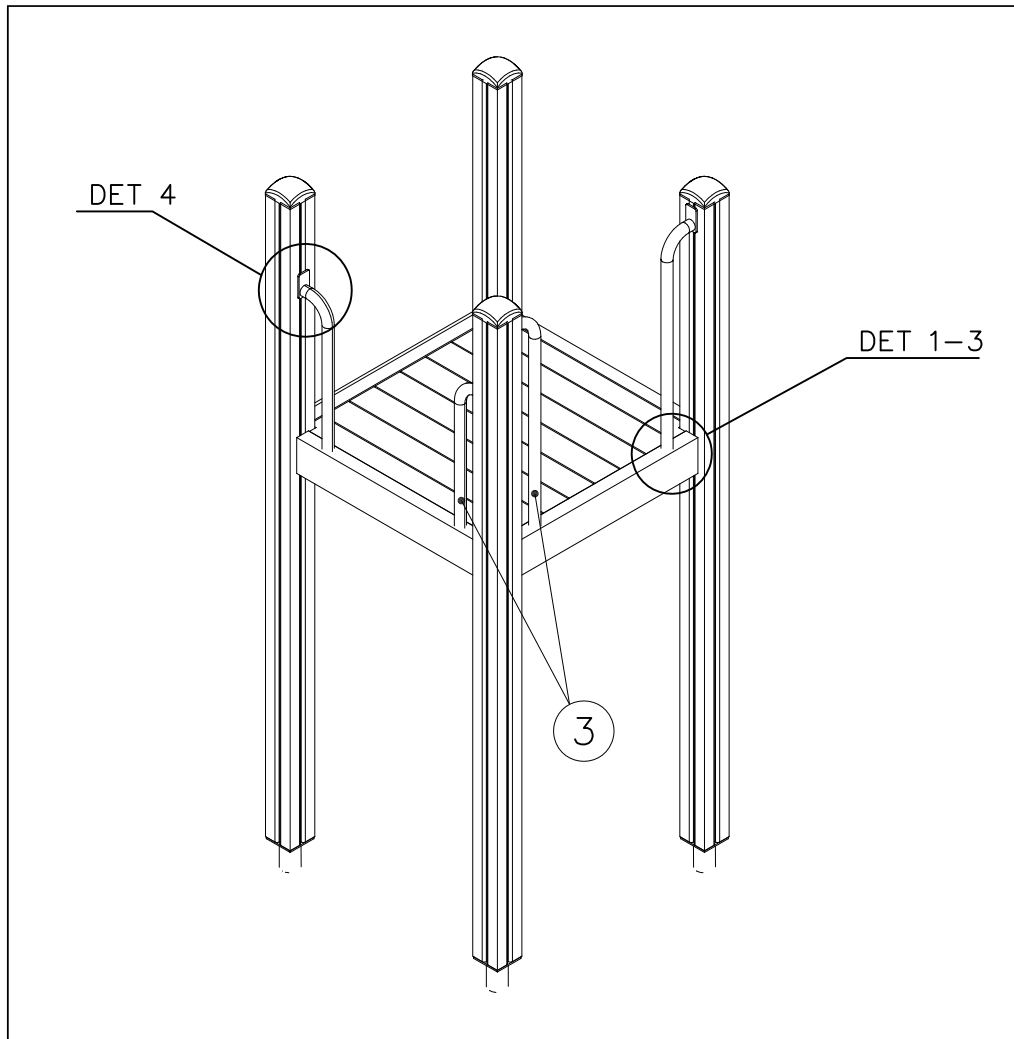
| | | | |
|-------------------------------------------------------------------------------------|-------------------------------------------------------------------------------------|--------------------------------------------------------------------------------------|--------------------------------------------------------------------------------------|
| 706766 | 706772 | 706308 | 707453 |
|  |  |  |  |
| 640x702 | 640x702 | 640x702 | 640x702 |
| 707209 | 705705 | 707433 | 707386 |
|  |  |  |  |
| 640x702 | 640x702 | 640x702 | 640x702 |
| 709403 | 709358 | 709405 | |
|  |  |  | |
| 640x702 | 640x702 | 420x702 | |

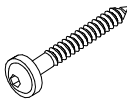



DET 1

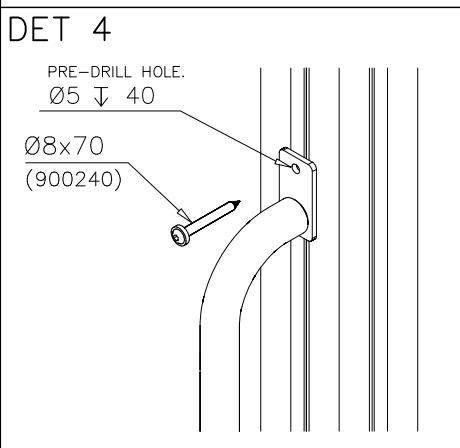
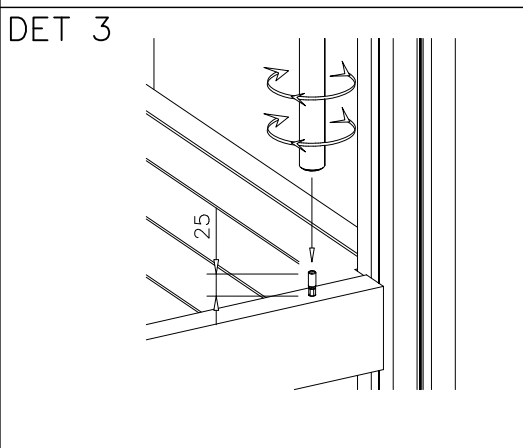
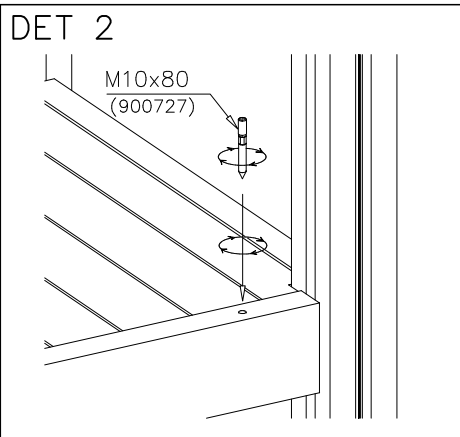
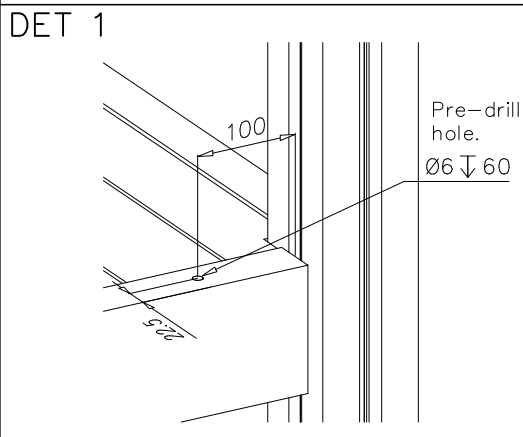


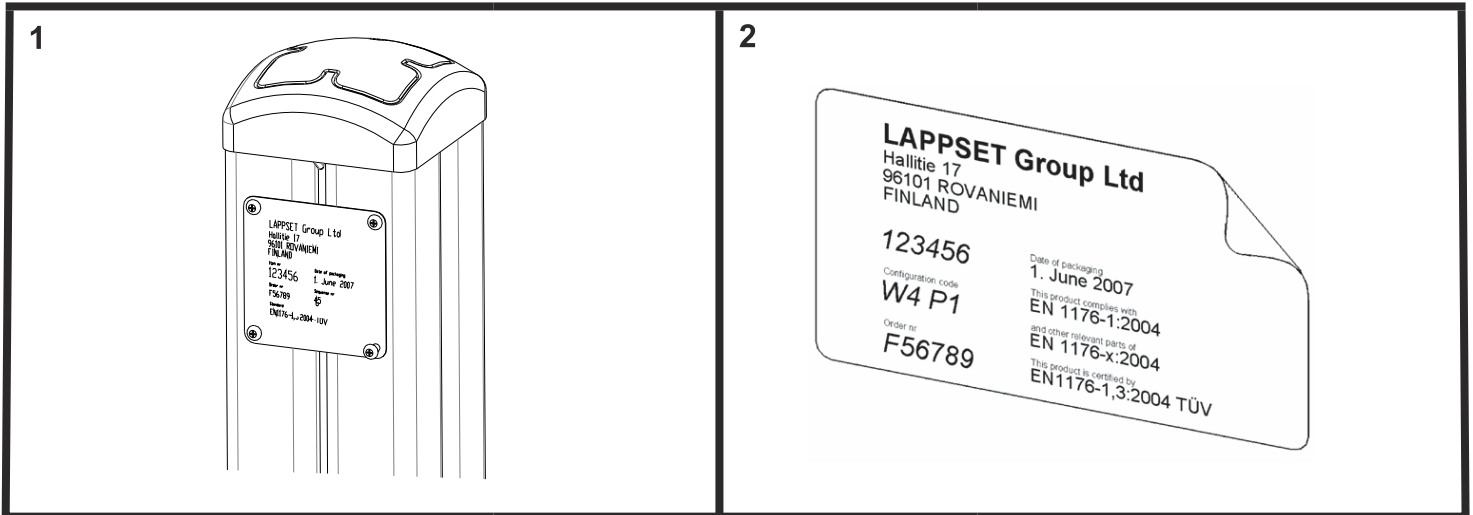
DET 2





| | | | |
|----------------------------------------------------------------------------------------------------------|----------|-----------------------------------------------------------------------------------------------------------|----------|
| ① 900240  Ø8x70 | PCS 1 | ② 900727  M10x80 | PCS 1 |
| | PCS | | PCS |
| ③ 907688  765 | PCS 1 | ③ 907701  545 | PCS 1 |
| | PCS | | PCS |
| | PCS | | PCS |
| | PCS | | PCS |
| | PCS | | PCS |
| | PCS | | PCS |
| | PCS | | PCS |



**Tuotekyltti tulee tuotteen mukana yhdellä seuraavista tavoista:****1) Metallinen tuotekyltti ja kiinnitysruuvit**

- Kiinnitä tuotekyltti ruuveilla tolppaan noin 2 metrin korkeuteen kuvan 1 mukaisesti.

2) Tuotekylttitarra

- Puhdista maalattu metalli- tai vaneripinta pölystä ja kosteudesta. Liimaa tarra kuvan 2 mukaisesti.
- Huom. Älä kiinnitä tarraa karheapintaiseen laminaattiin tai maalattuun puuhun.

Vår produktmärkning levereras på ett av följande sätt:**1) Produktskylt i metall**

- Fäst skylten med de medföljande skruvarna

2) Självhäftande produktetikett

- Rengör den pulverlackerade metallytan eller laminatyten så att den blir fri från smuts och fukt. Fäst etiketten enligt fig. 2.
- Obs! Fäst ej etiketten på detaljer med skrovlig yta eller på målat trä.

Product label is delivered by one of following ways:**1) Metal product label and screws**

- Fasten the label with screws.

2) Label sticker

- Clean the painted metal or plywood surface from dirt and moisture. Fasten the sticker as shown in the figure 2.
- Note. Do not attach the sticker to rough surfaced laminate or painted wood.

La plaque d'informations produit est livrée sous l'une de ces 3 formes :**1) Plaque métallique et vis**

- Fixez la plaque à l'aide des vis.

2) Etiquette autocollante

- Avant de coller l'étiquette, nettoyez le composant métallique peint ou la plaque de contreplaqué, de toute saleté. La surface doit être sèche (voir image 2).
- Attention, ne pas coller l'étiquette sur une surface lamellé-collée irrégulière ou sur du bois peint.

Die Auslieferung des Produktaufklebers erfolgt auf eine dieser Arten:**1) Produkt-Schild aus Metall incl. Schrauben**

- Die Befestigung des Schildes erfolgt mittels der Schrauben.

2) Aufkleber

- Entfernen Sie zunächst Schmutz und Feuchtigkeit vom lackierten Metall bzw. von der Holzoberfläche und bringen Sie den Aufkleber wie im Bild oben rechts beschrieben auf den gesäuberten Untergrund auf.
- Beachten Sie: Bringen Sie den Aufkleber nicht auf raues laminiertes oder lackiertes Holz an.