
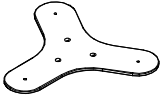
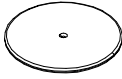
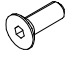
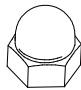
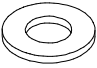
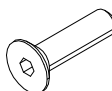

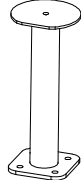
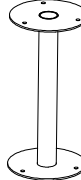
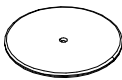
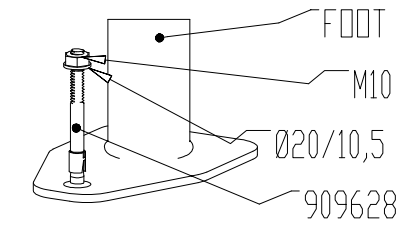


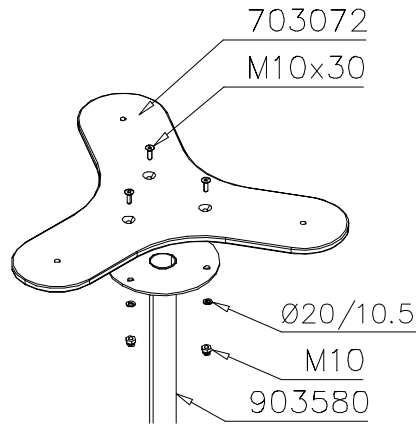
① 702942  15x1149x1258	PCS 1	② 703072 	PCS 1
③ 702962 -707  GREEN	PCS 3	④ 900958  M10x30	PCS 3
⑤ 900965  M10	PCS 6	⑥ 901302  Ø20/10.5x2	PCS 3
⑦ 901487  M10x40	PCS 9	⑧ 909628  M10x100	PCS 27
⑨ P02631  350x150x140	PCS 6	⑩ P02633  Ø250x520	PCS 1
⑪ 702962 -705  LIGHT GREY	PCS 3		PCS
	PCS		PCS
	PCS		PCS

DET 1

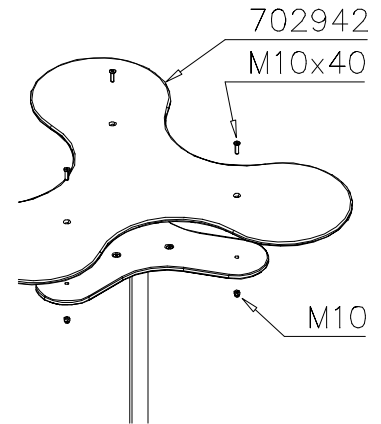


Ø10 / min 90 mm

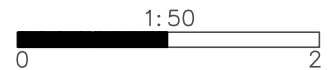
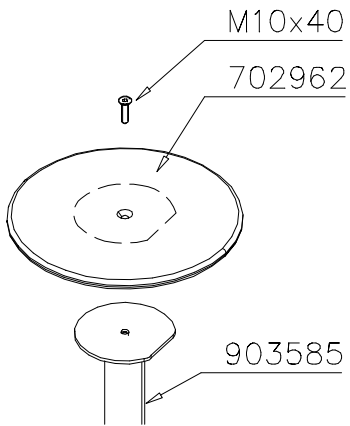
DET 2



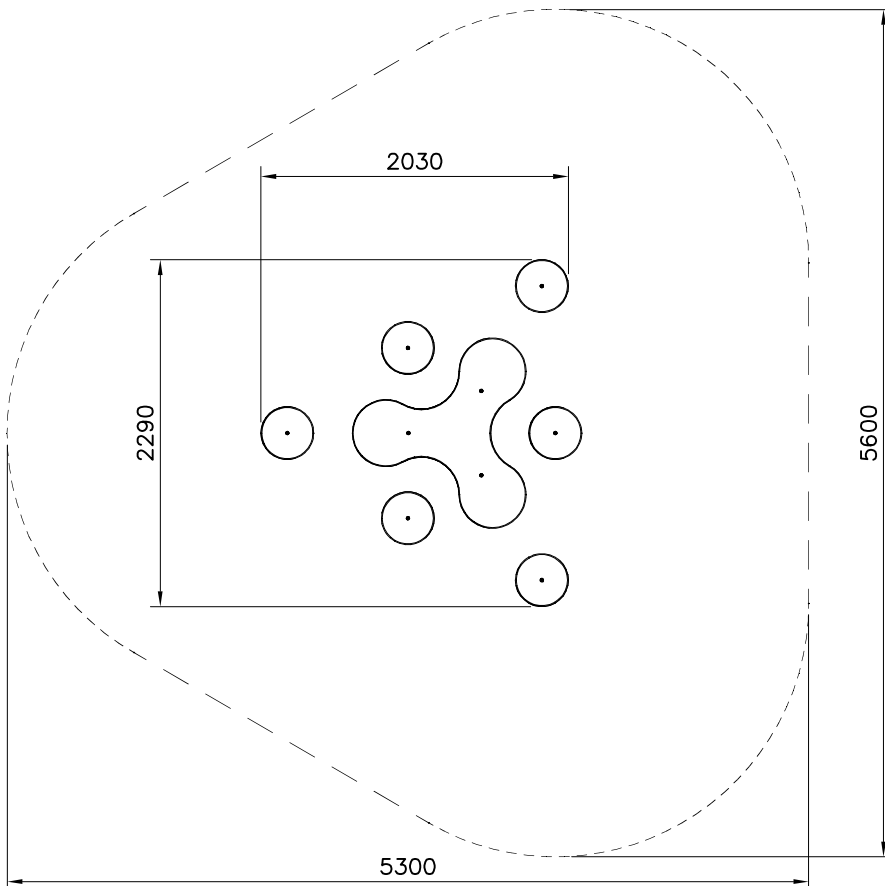
DET 3



DET 4

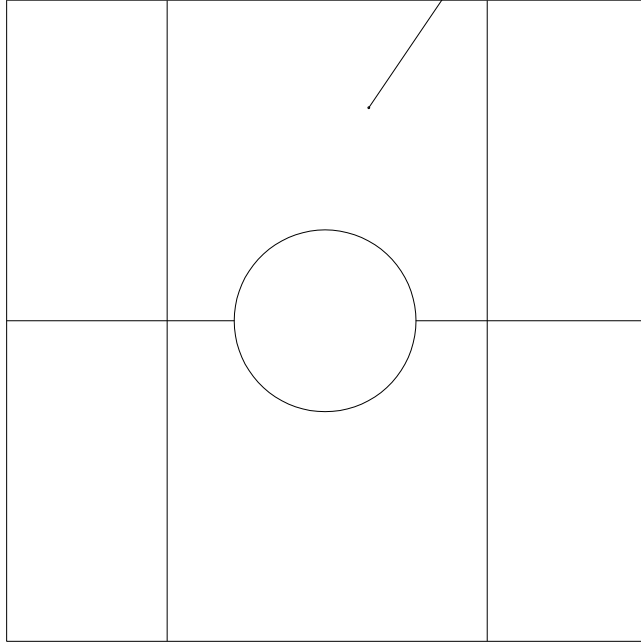


----- Falling Space 16.9 m²
Max Falling Height 550 mm



		
<p>$h < 600$</p> <p>Without movement and therefore without Impact Area</p>	<p>Totally hard surfaces.</p> <p>Note. Lappset does <u>not recommend</u> totally hard surfaces at all.</p>	<p>E.g. concrete or asphalt</p> 
<p>$h < 600$</p> <p>With movement e.g. rocking</p>	<p>Materials with very limited impact attenuating properties.</p>	<p>E.g. wood</p> 
<p>$h < 1000$</p>	<p>Materials with significant impact attenuating properties.</p>	<p>fine gravel 0–8 mm</p>  <p>grass</p>  <p>unsorted sand</p> 
<p>$h < 3000$</p>	<p>Loose fill material</p> <p>E.g. sand/gravel 0,25...8 mm D60/D10<3,0 Woodchips 5...30 mm bark 20...80 mm</p>	 <p>\underline{S} \underline{h}</p> <p>30 cm < 2,0 m</p> <p>40 cm < 3,0 m</p>
	<p>Syntethic granulates</p> <p>\underline{S} \underline{h}</p> <p>40 mm ~> 1,2...1,3 m</p> <p>50 mm ~> 1,5...1,7 m</p> <p>60 mm ~> 1,8...2,0 m</p> <p>70 mm ~> 2,1...2,5 m</p> <p>Note. For accurate values, see manufacturer's instructions.</p>	

REMOVE SAFETY SURFACE/SAND/GRAVEL
TO CHECK FOUNDATION



REMOVE SAFETY SURFACE/SAND/GRAVEL
TO CHECK FOUNDATION

