

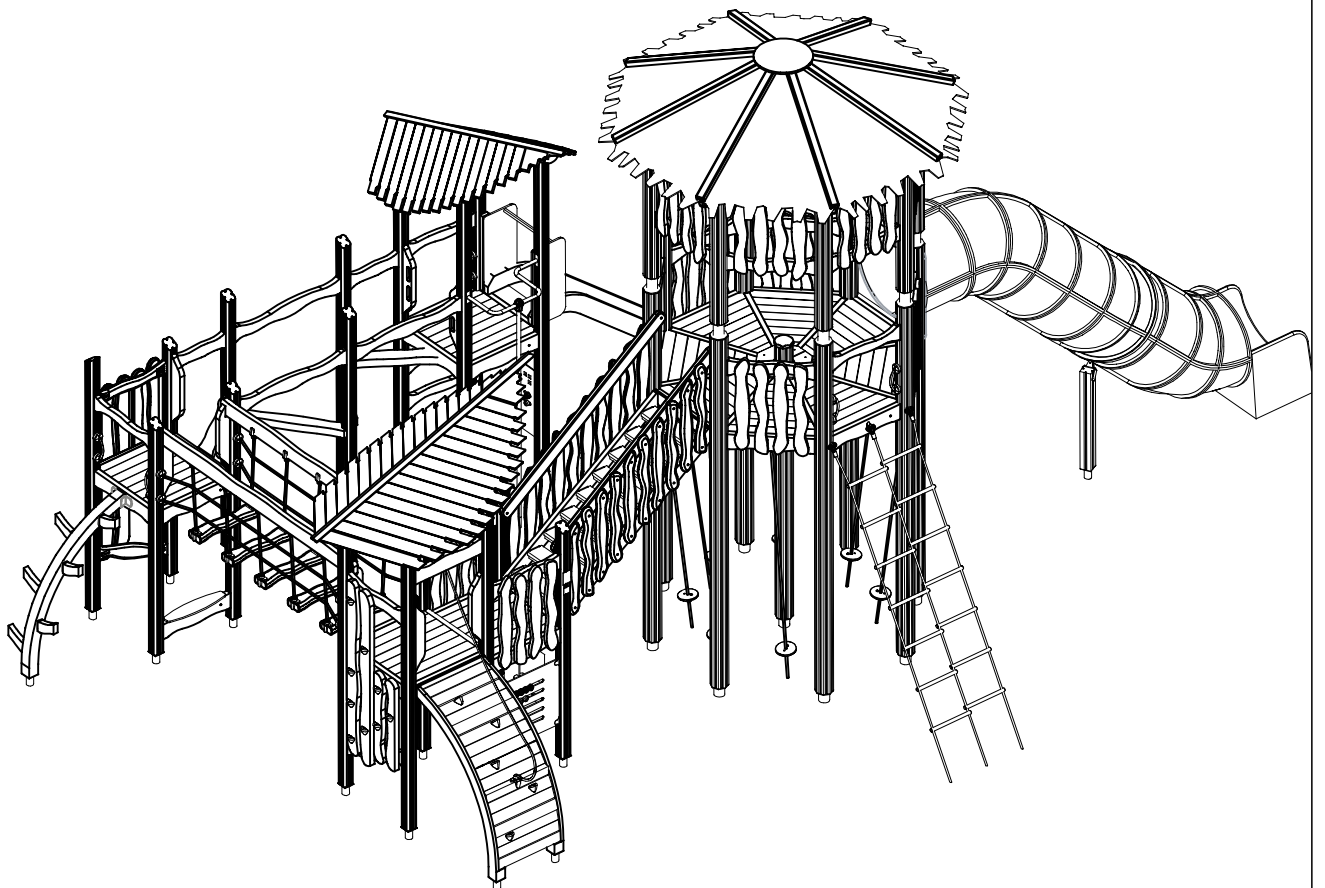
# **LAPPSET®**

## **FLORA**


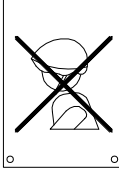
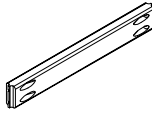
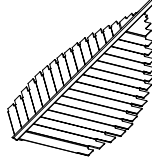

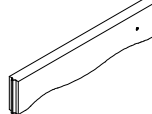
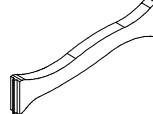


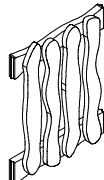



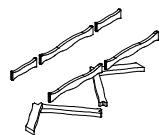

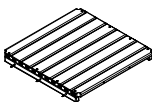

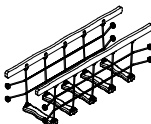

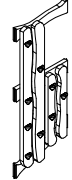







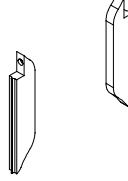



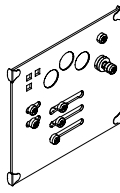
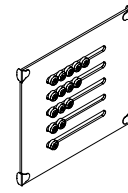
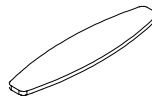
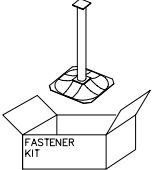
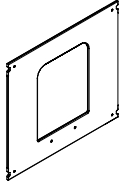
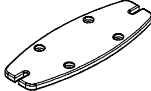
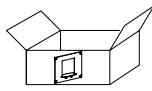

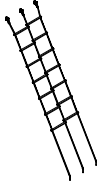
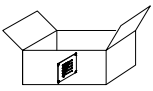

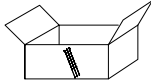
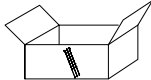
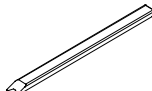



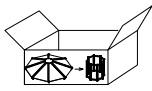
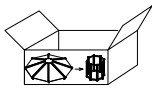
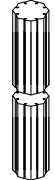
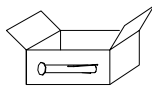
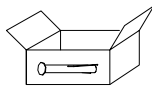
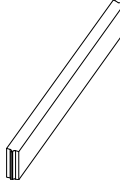


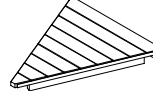

ASENNUSOHJE  
MONTERINGSANSVISNING  
INSTALLATION INSTRUCTION  
AUFBAUANLEITUNG  
NOTICE D'INSTALLATION

DATE: 26.7.2024

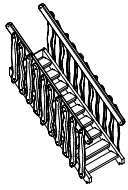
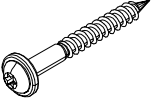
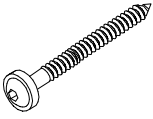

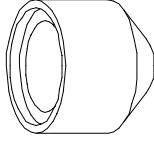
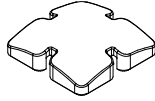
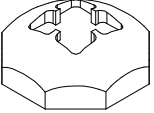

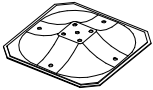
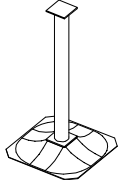
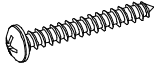
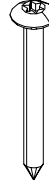
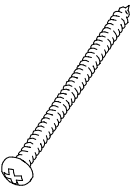


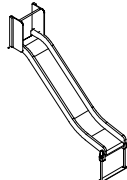
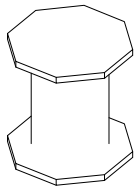
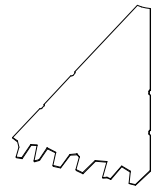


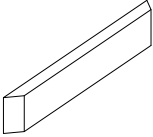
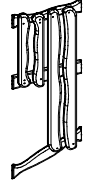
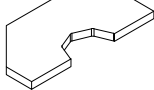
### **QFL0075**



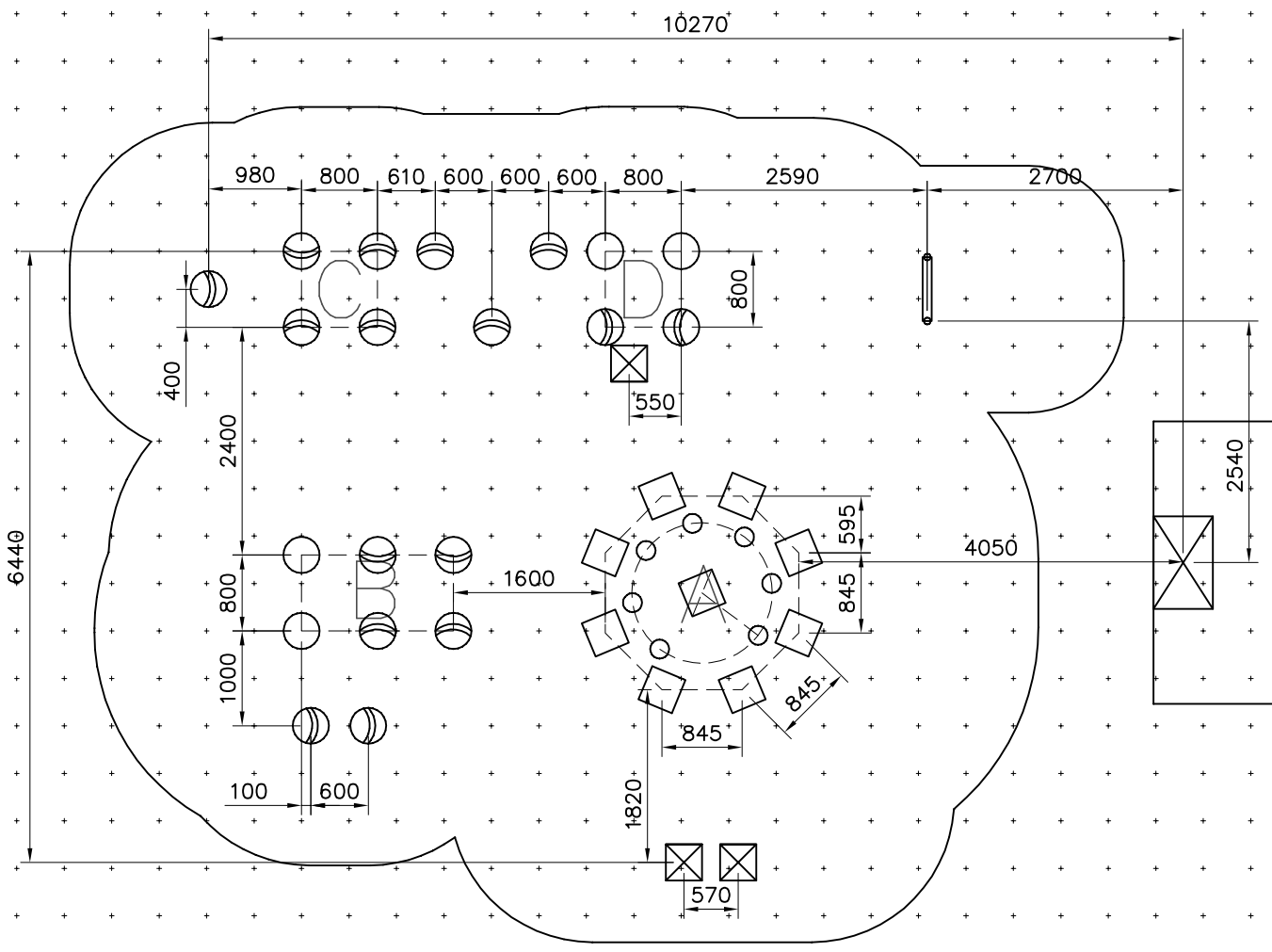
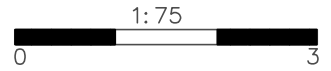
DATE: 26.7.2024

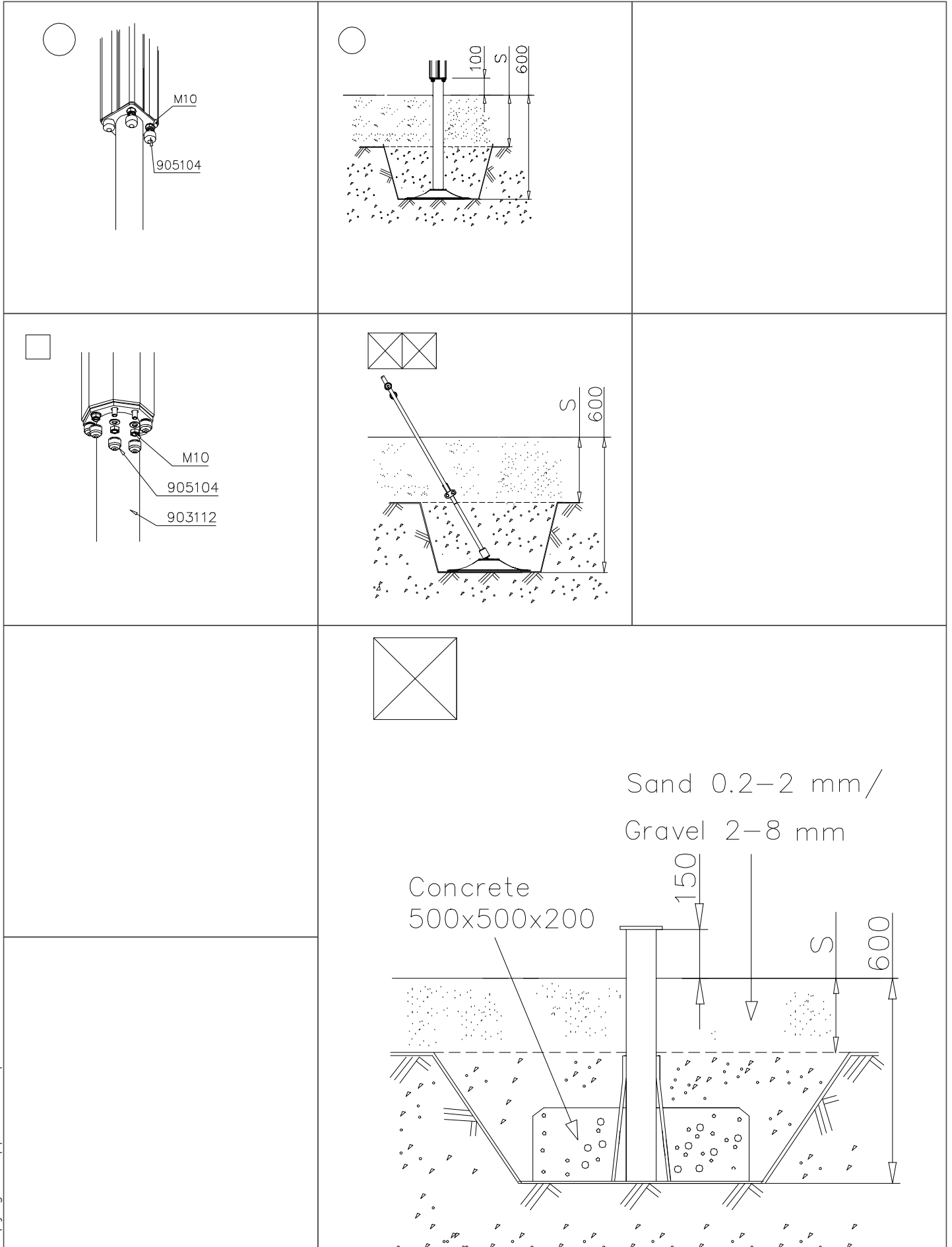
702286  65x65	PCS 1	702339  118x78	PCS 1	703338  L 704 H 95	PCS 2	705203-614  	PCS 2	705211-614  45x145x724	PCS 16	705214-614  45x145x724	PCS 6
705217-614  93x93x2250	PCS 5	705220-614  93x93x2446	PCS 4	705230-614  	PCS 15	705236-614  93x93x3138	PCS 4	705238-614  93x93x2846	PCS 4	705247-614  	PCS 1
705258-614  	PCS 4	705262-614  	PCS 1	705270-614  	PCS 1	705368-614  	PCS 1	705375-614  	PCS 1	705506-614  	PCS 3
705507-614  	PCS 2	705511  	PCS 6	705705-705  10x640x702	PCS 1	706308-705  10x640x702	PCS 1	706453  15x145x600	PCS 1	706531  FASTENER KIT	PCS 1
706727-705  10x702x640	PCS 1	706744  15x145x380	PCS 1	706885 	PCS 1	706894  L 950	PCS 1	707395-303  +2570	PCS 1	707446 	PCS 1
707449  FASTENER KIT	PCS 1	707451  	PCS 1	707688-614  45x70x1385	PCS 8	707689-614  45x145x1495	PCS 8	707691-704  15xØ480	PCS 1	707692-704  15xØ225	PCS 1
707792  	PCS 1	707822  140x140x2650	PCS 1	707866  	PCS 1	711384-614  45x120x970	PCS 8	711467  	PCS 1	711598-614  	PCS 8

DATE: 26.7.2024

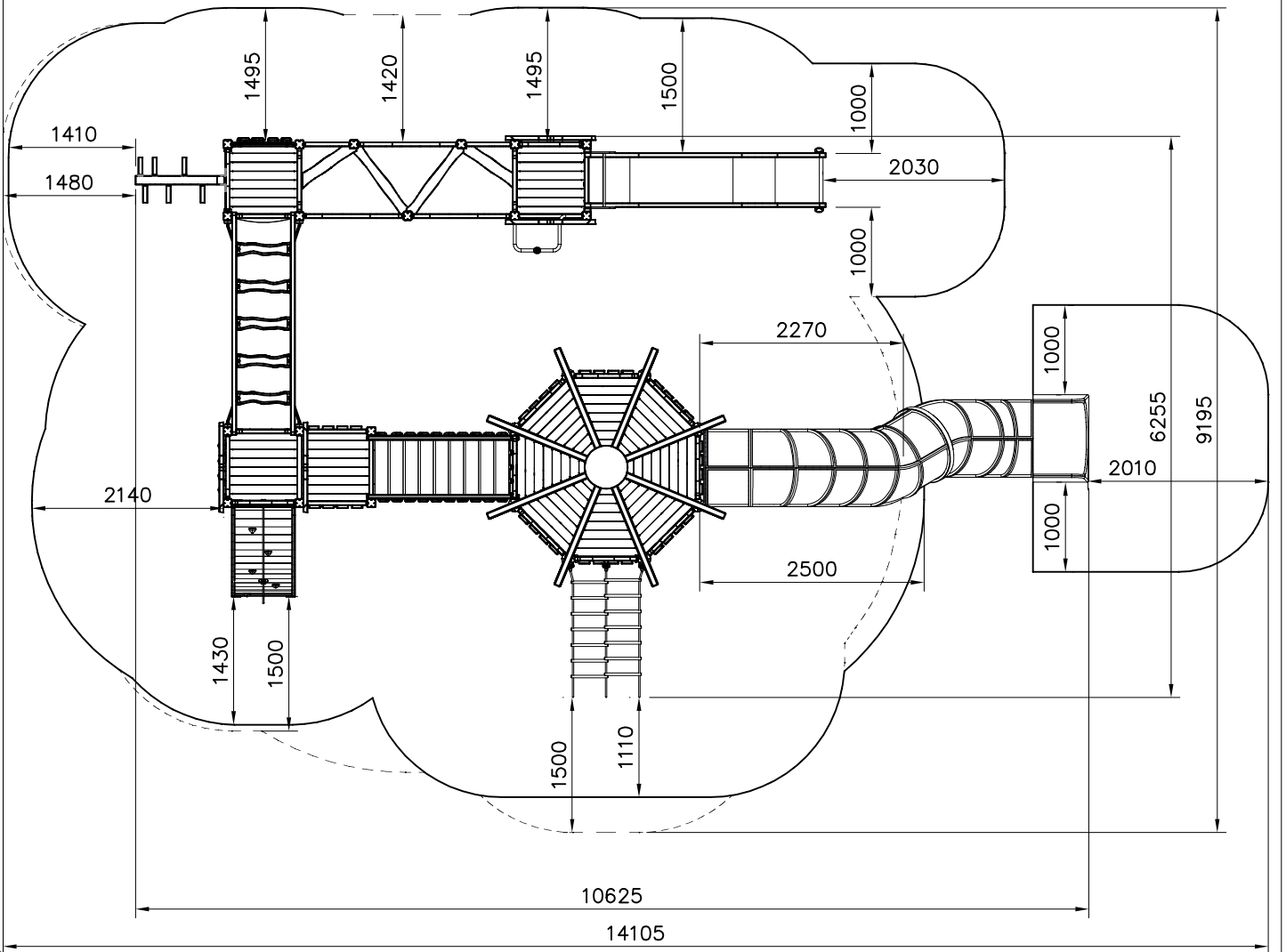
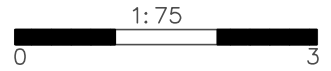
711640-614	PCS 1	900240	PCS 14	903093	PCS 128	903112	PCS 9	905104	PCS 208	905139	PCS 1
											
		Ø8x70		Ø8x90		135x135x750		M10		BLACK	
905197	PCS 1	909511	PCS 1	909519	PCS 3	909521	PCS 20	980114	PCS 8	980123	PCS 4
											
BLACK		90x90x650		50x380x380				Ø4x20		Ø7x60	
980131	PCS 4	A10260	PCS 7	A10748-1	PCS 1	A11074	PCS 1	P07312	PCS 8	P12430-704	PCS 8
											
6x60		L 2905		+ 2550 G/T				L150		10x1078x1445	
P13782	PCS 8	P13787	PCS 8	P13854	PCS 2	P17846	PCS 1	P00110	PCS 2		PCS
											
140x140x3400		L 1370		45x120x778				20x225x450			
	PCS		PCS		PCS		PCS		PCS		PCS
	PCS		PCS		PCS		PCS		PCS		PCS
	PCS		PCS		PCS		PCS		PCS		PCS

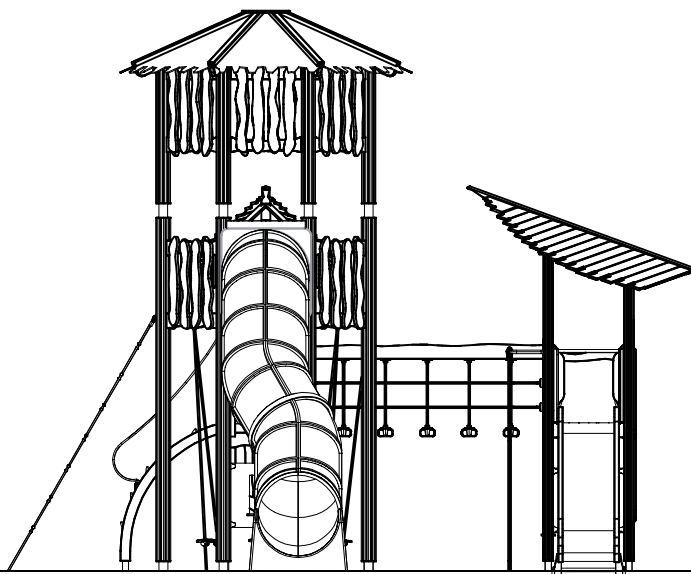
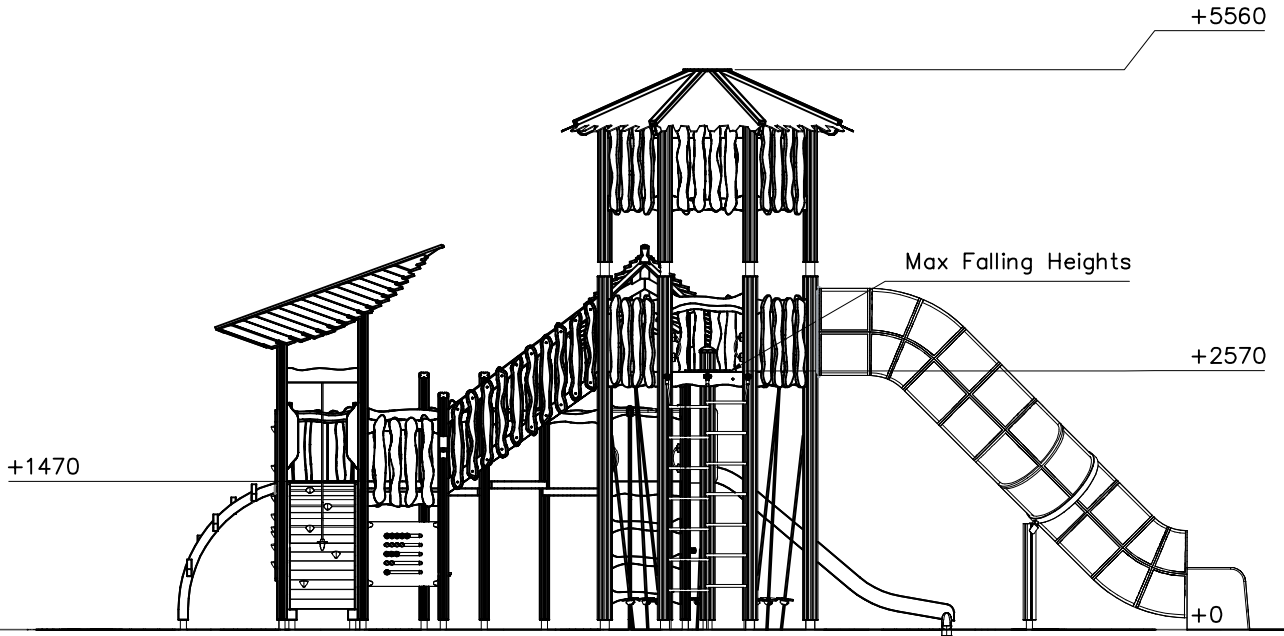
— EN/AS Impact Area 87.4 m<sup>2</sup>  
 - - - Falling Space 87.6 m<sup>2</sup>  
 Max Falling Height 2570 mm  
 Grid size = 500 mm

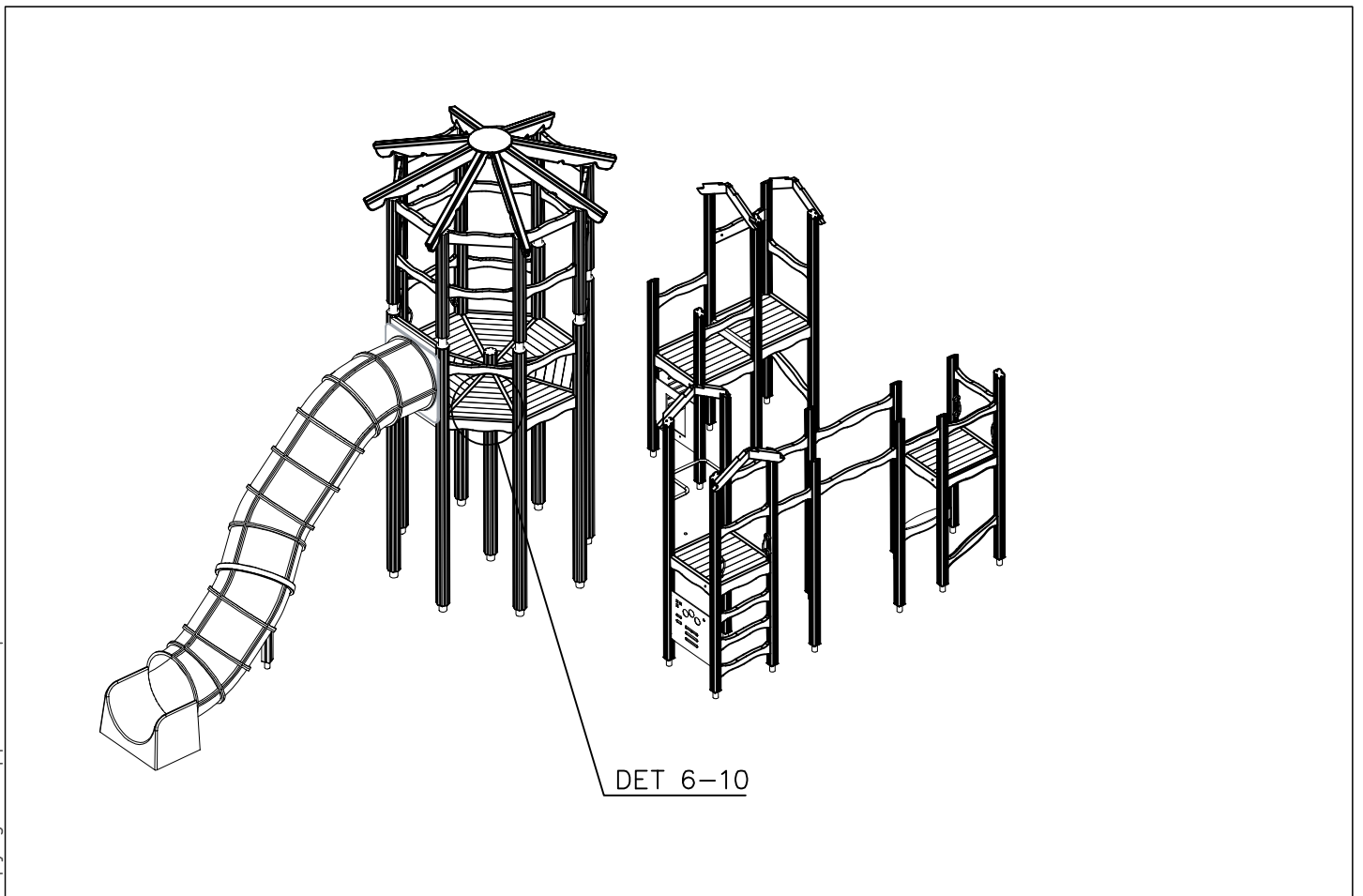
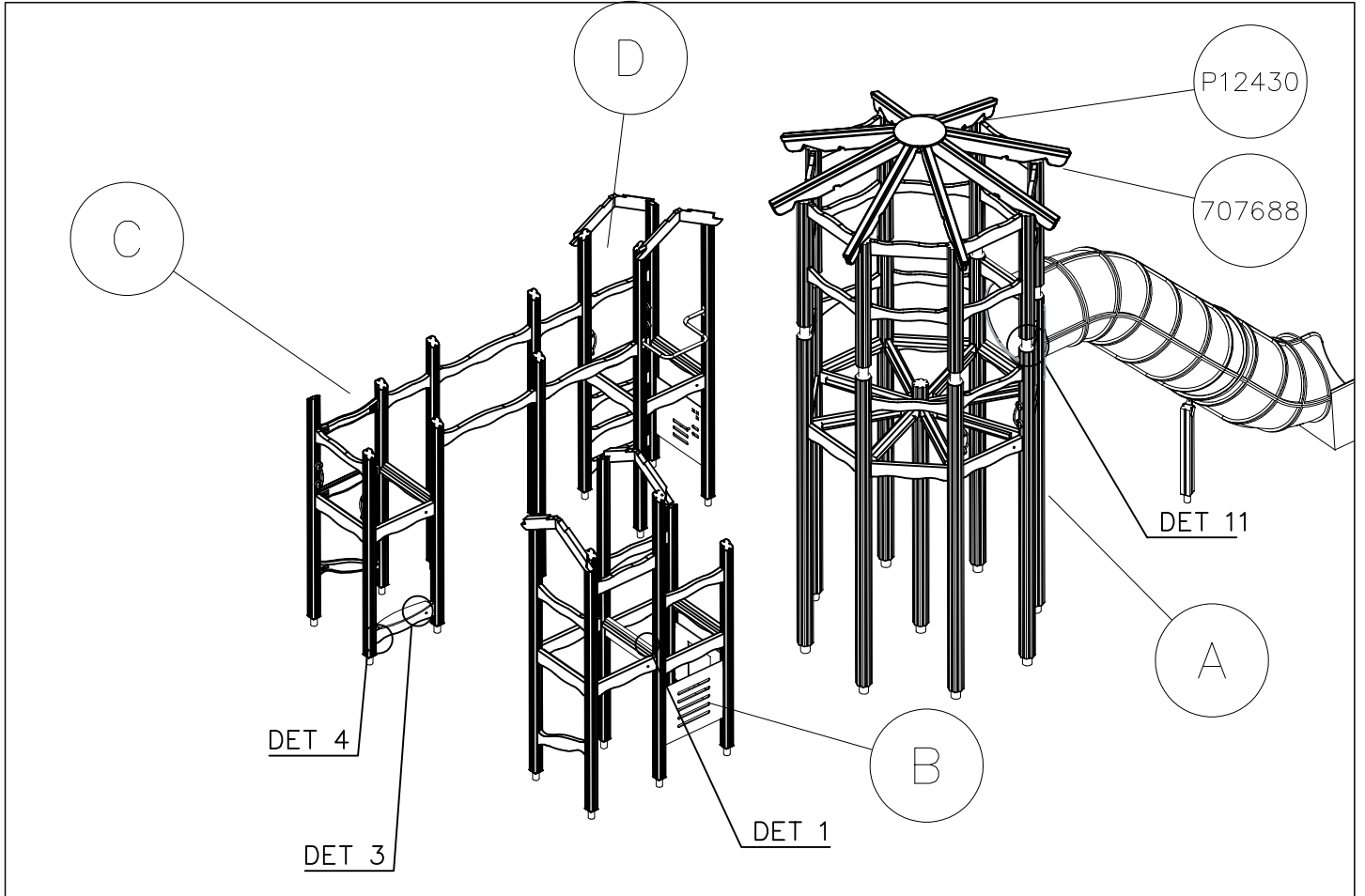




— EN/AS Impact Area 87.4 m<sup>2</sup>  
 - - - Falling Space 88.2 m<sup>2</sup>  
 Max Falling Height 2570 mm



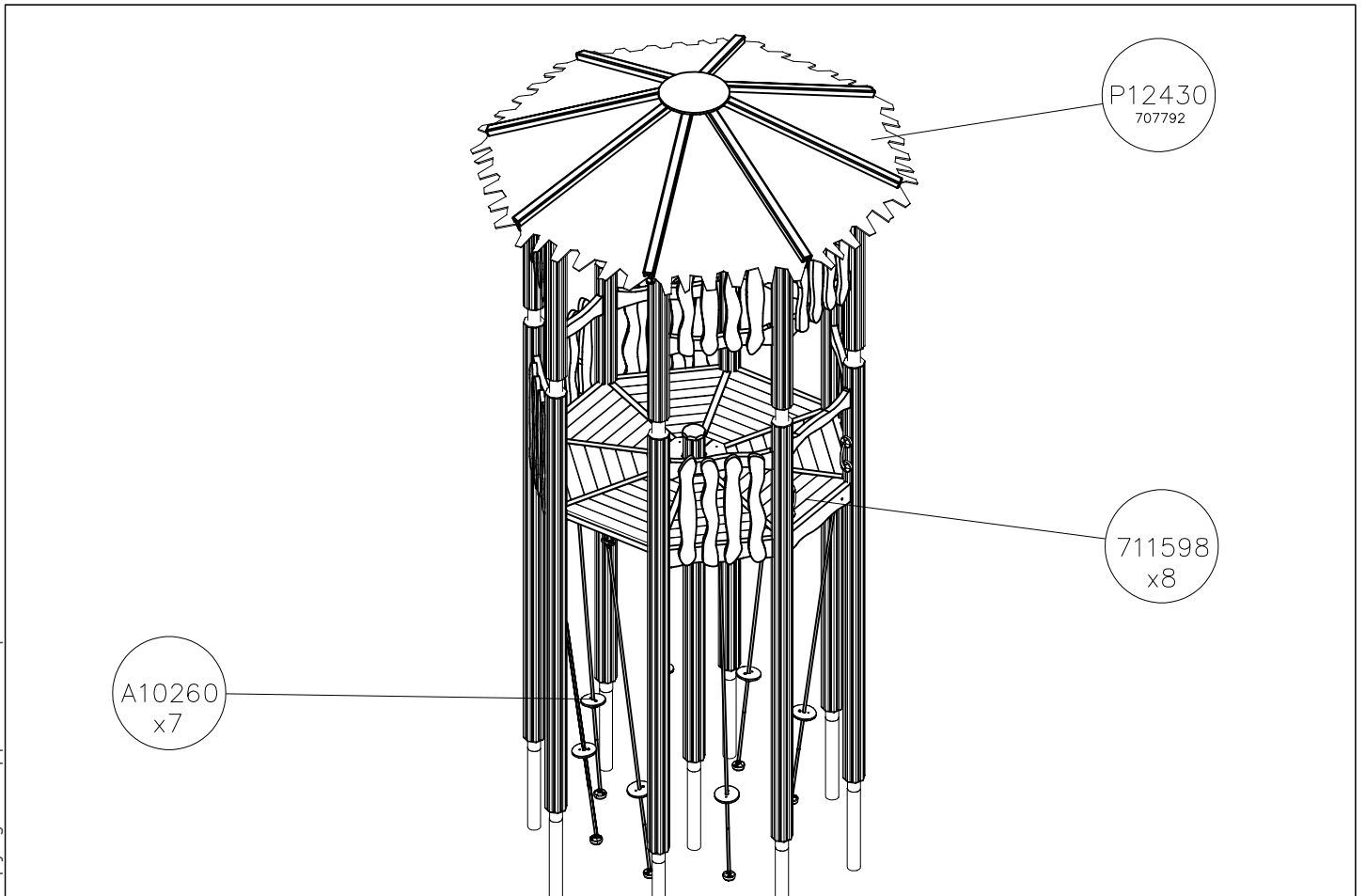
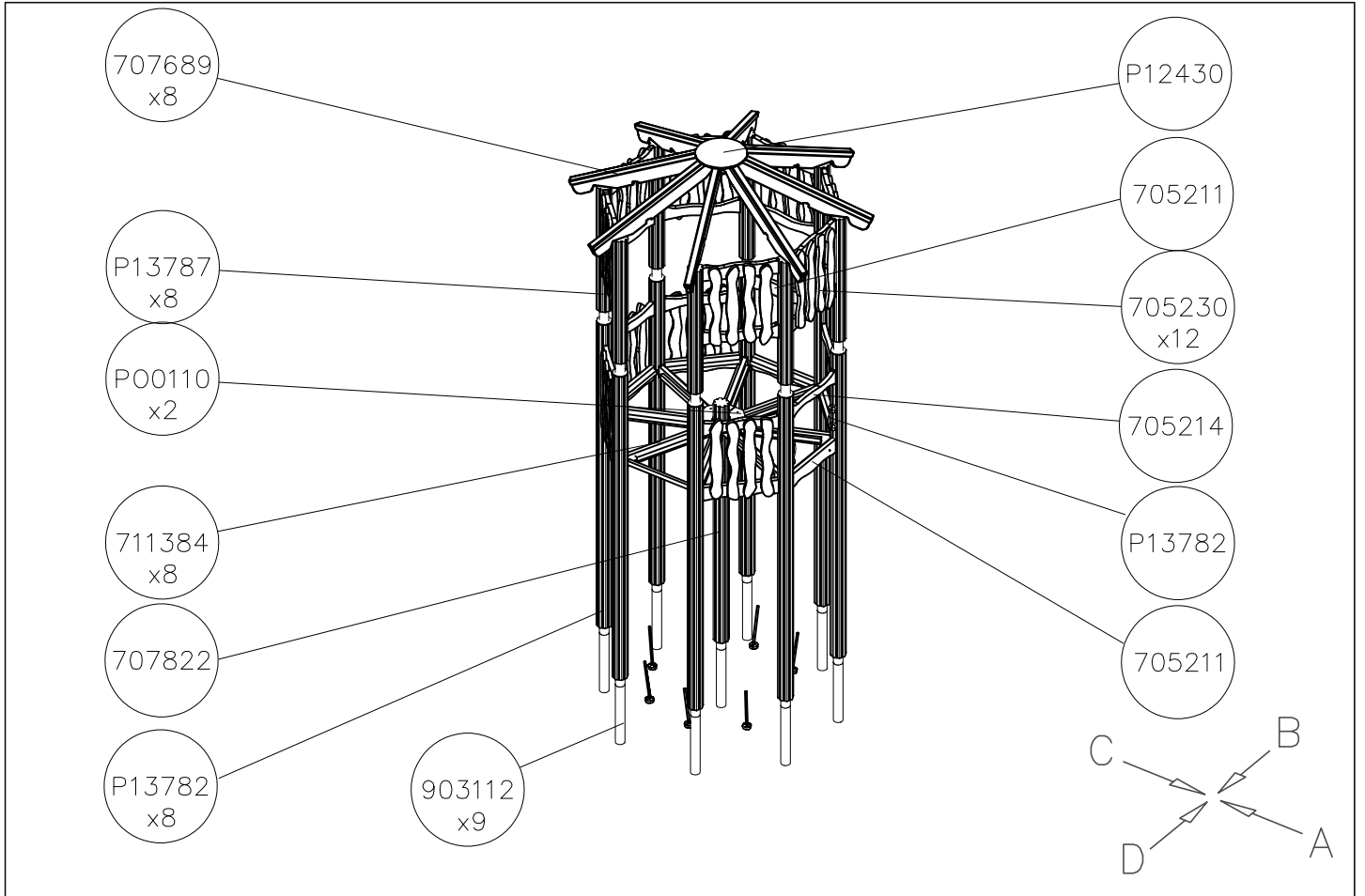




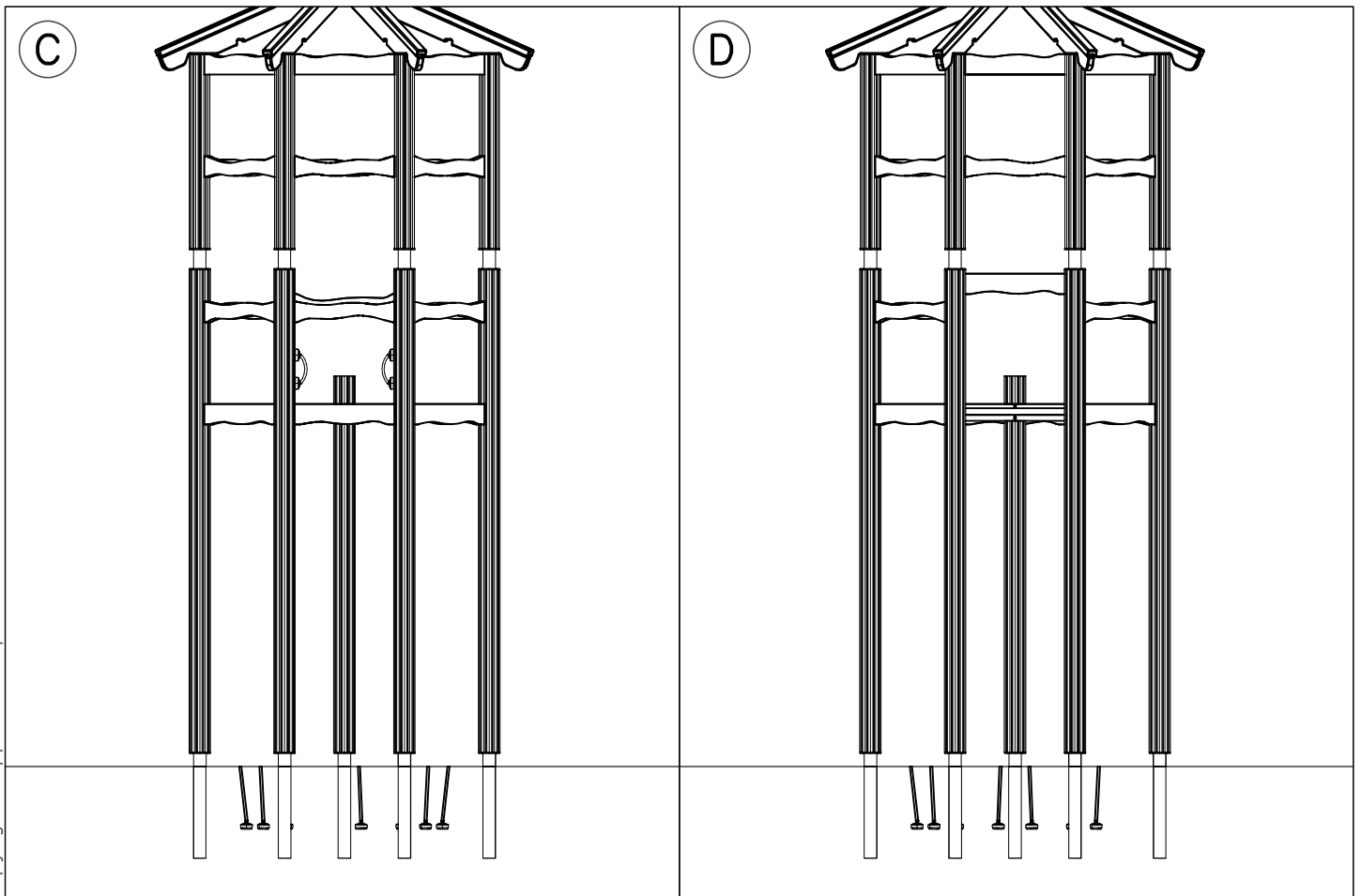
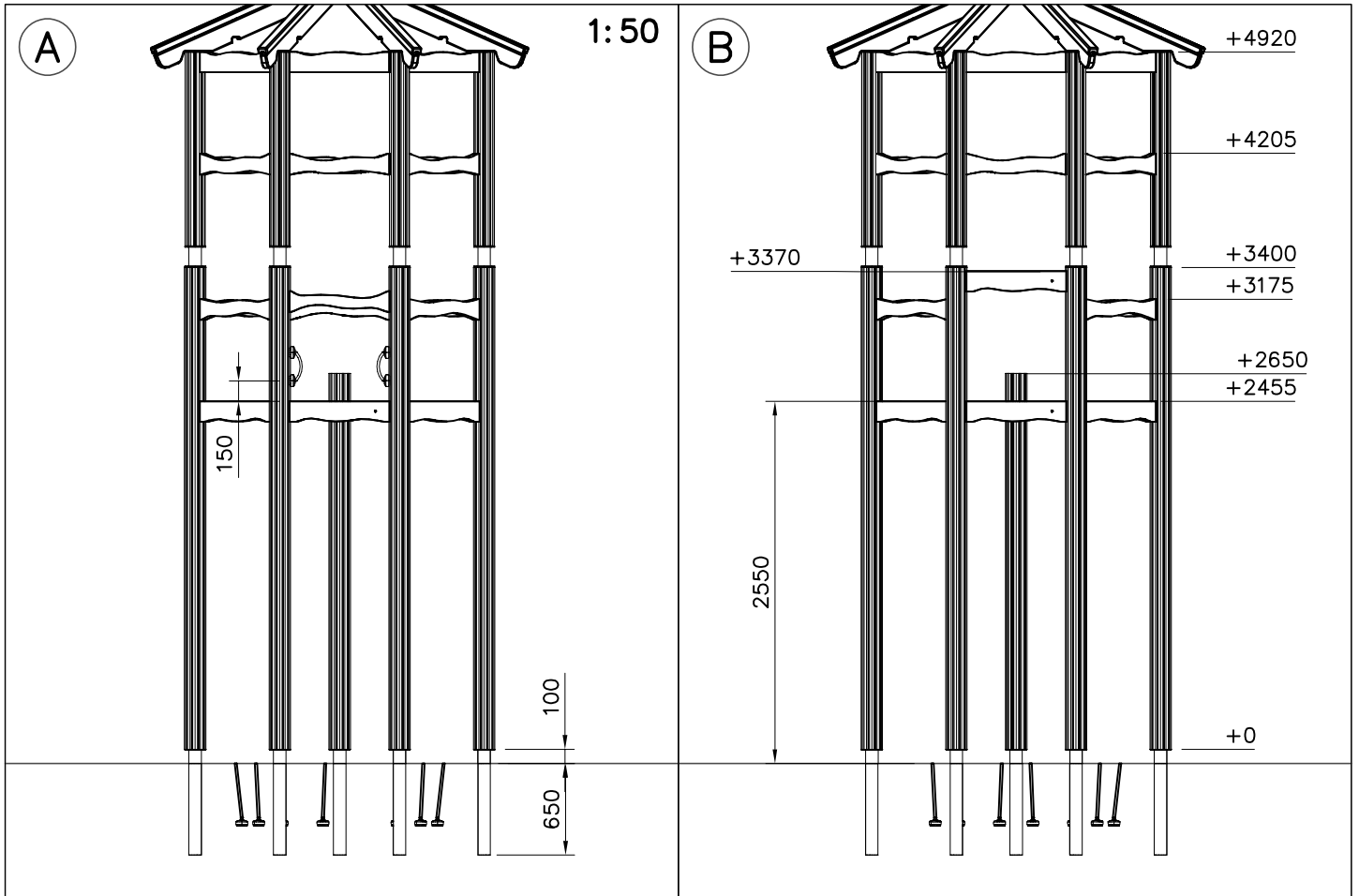


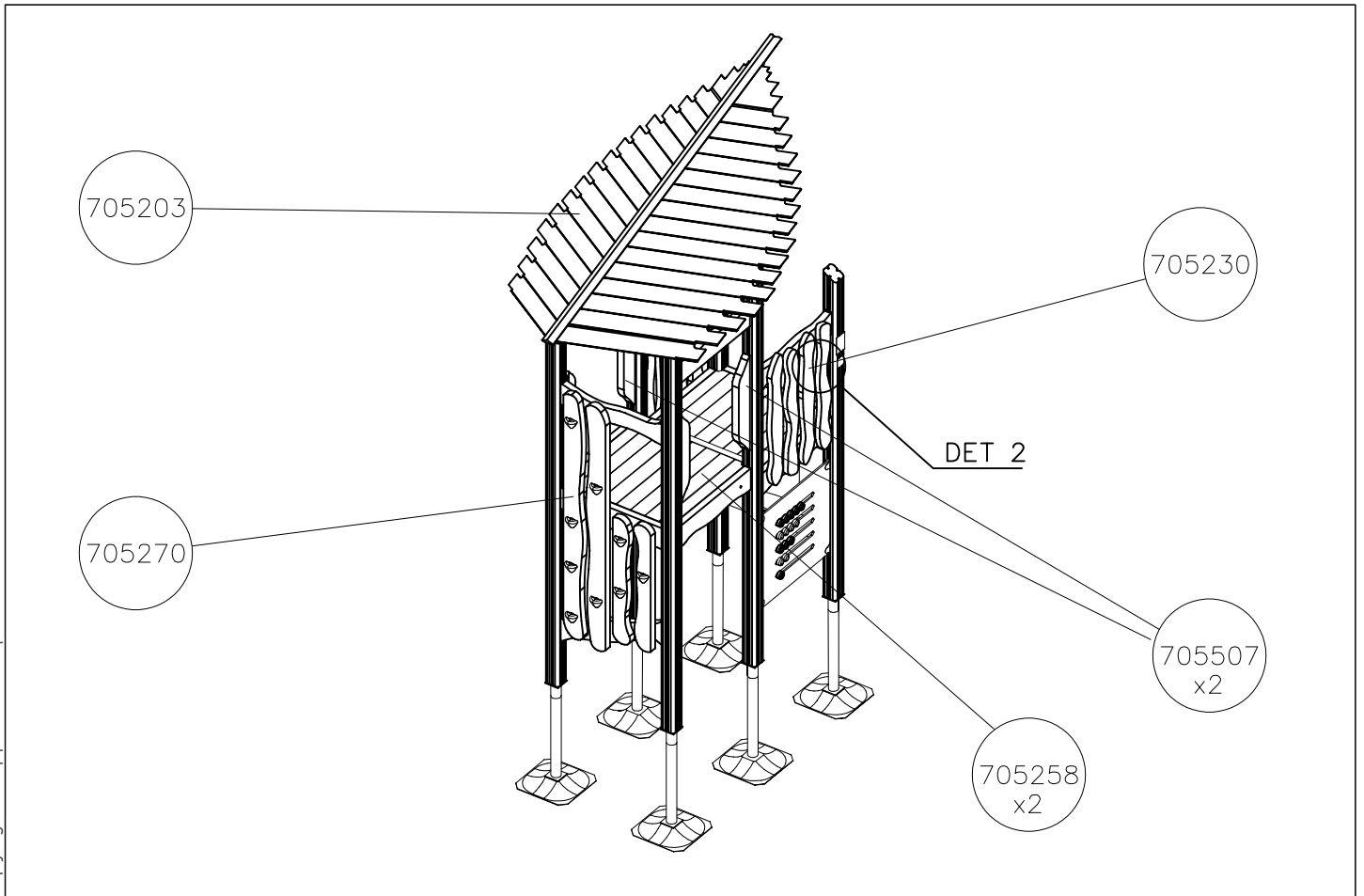
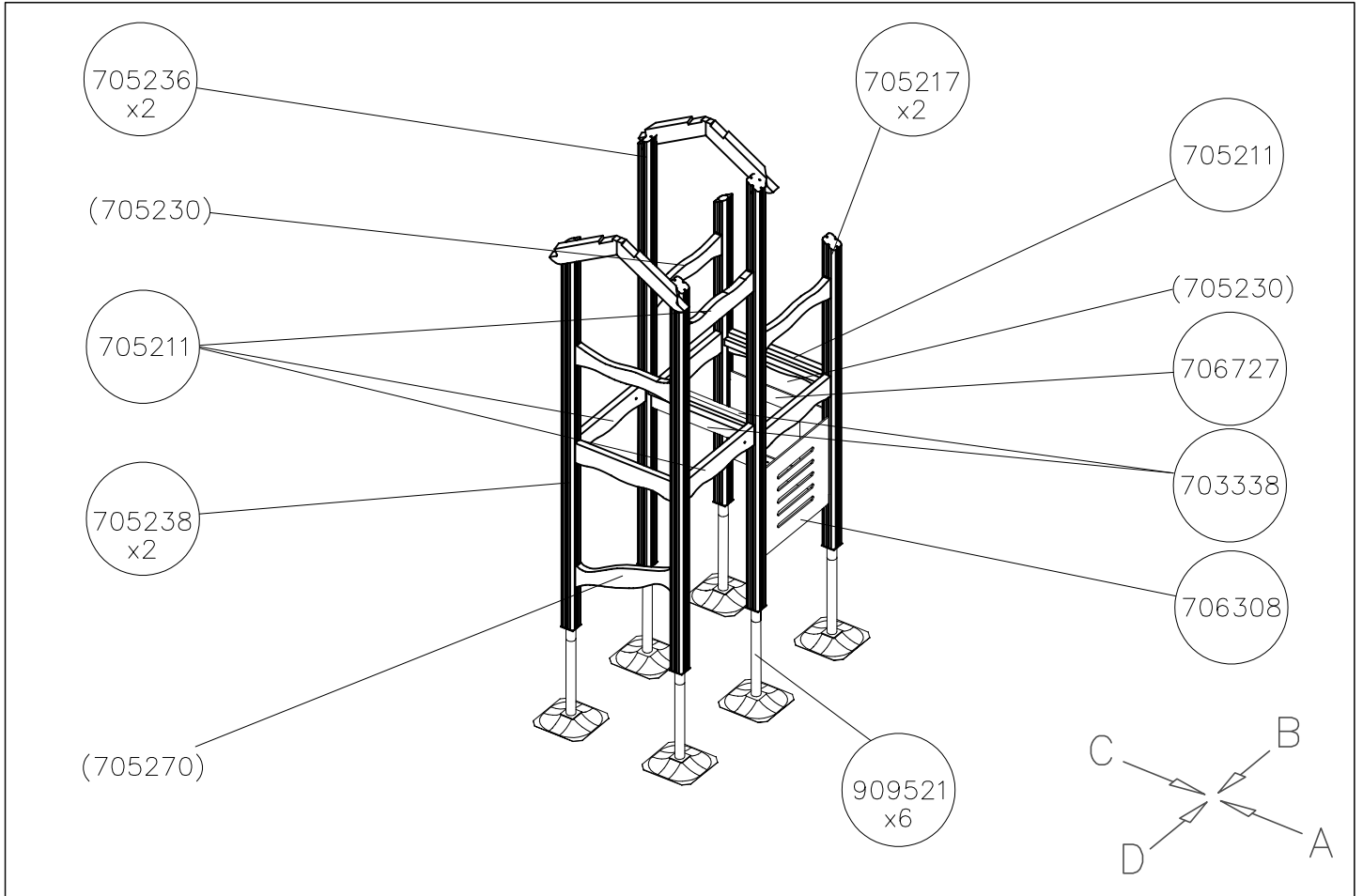
<p>DET 1</p>	<p>DET 2</p> <p>NOTE: Walls contain floor beam 705211. HUOM: Seinät sisältävät lattia puomin 705211.</p>	<p>DET 3</p>	<p>DET 4</p>
<p>DET 5</p>	<p>DET 6</p>	<p>DET 11</p>	
<p>DET 7</p>	<p>DET 8</p>	<p>DET 9</p>	
<p>DET 10</p>	<p>Blank diagram area.</p>		

DATE: 26.7.2024

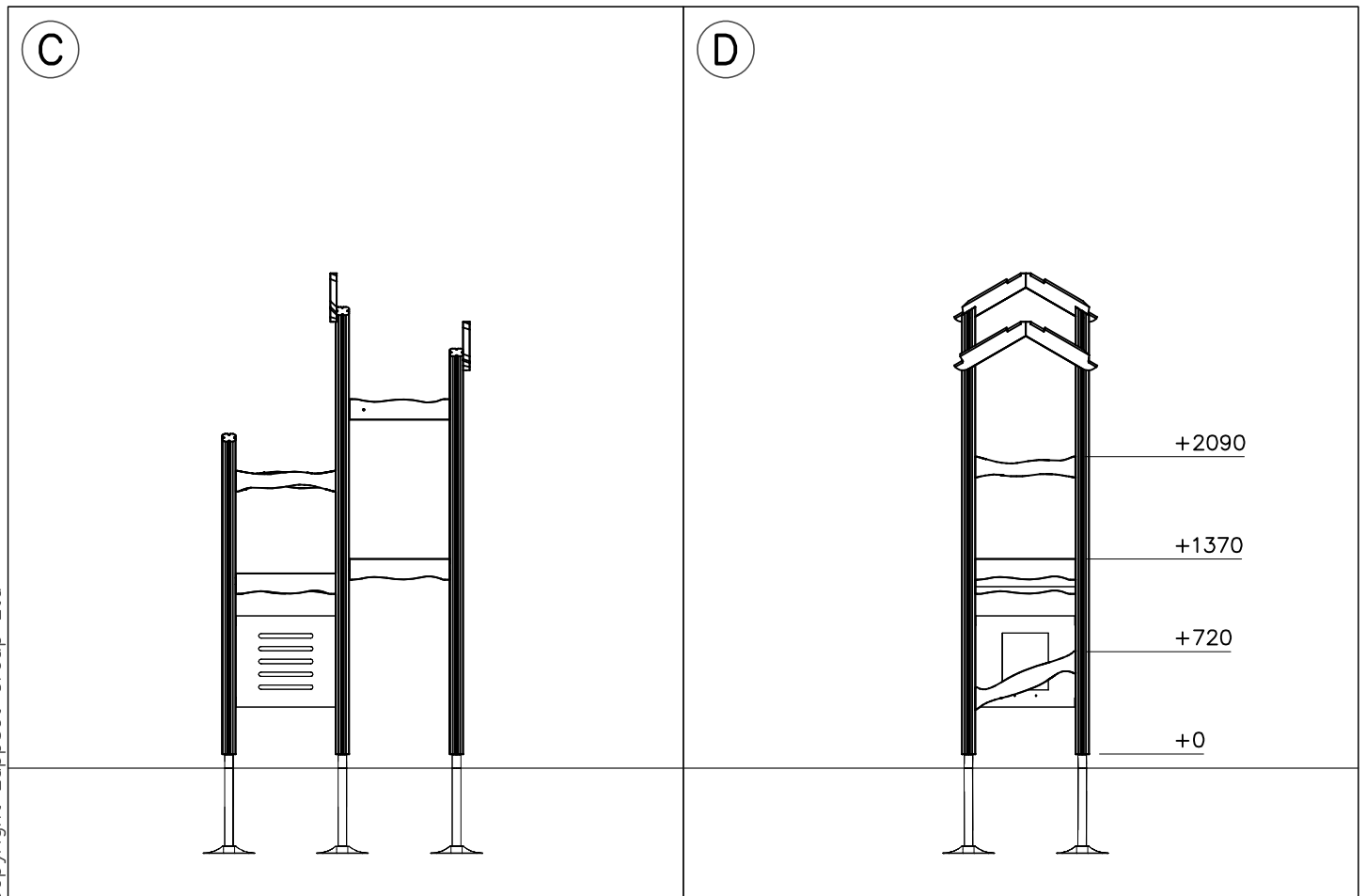
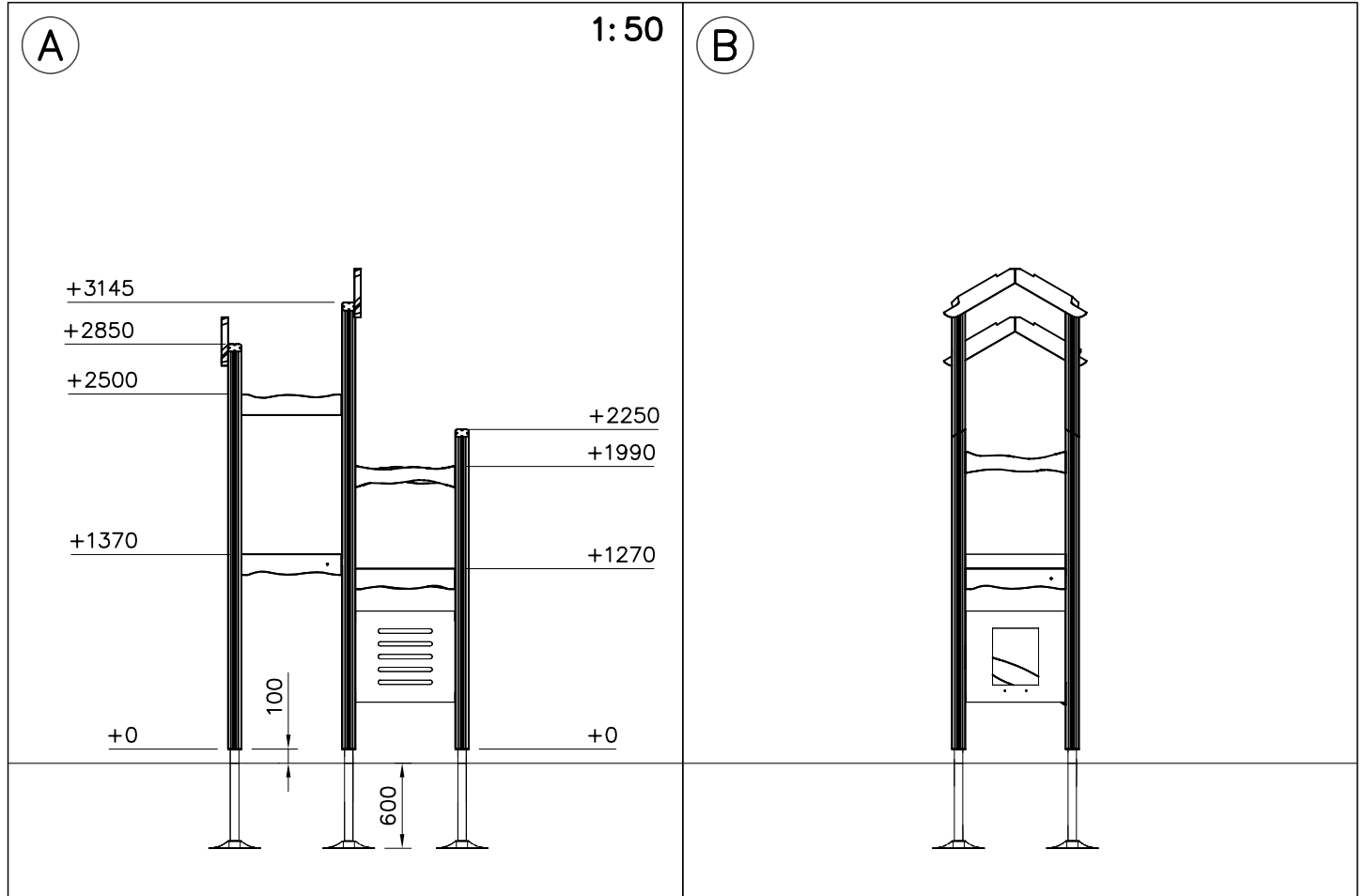


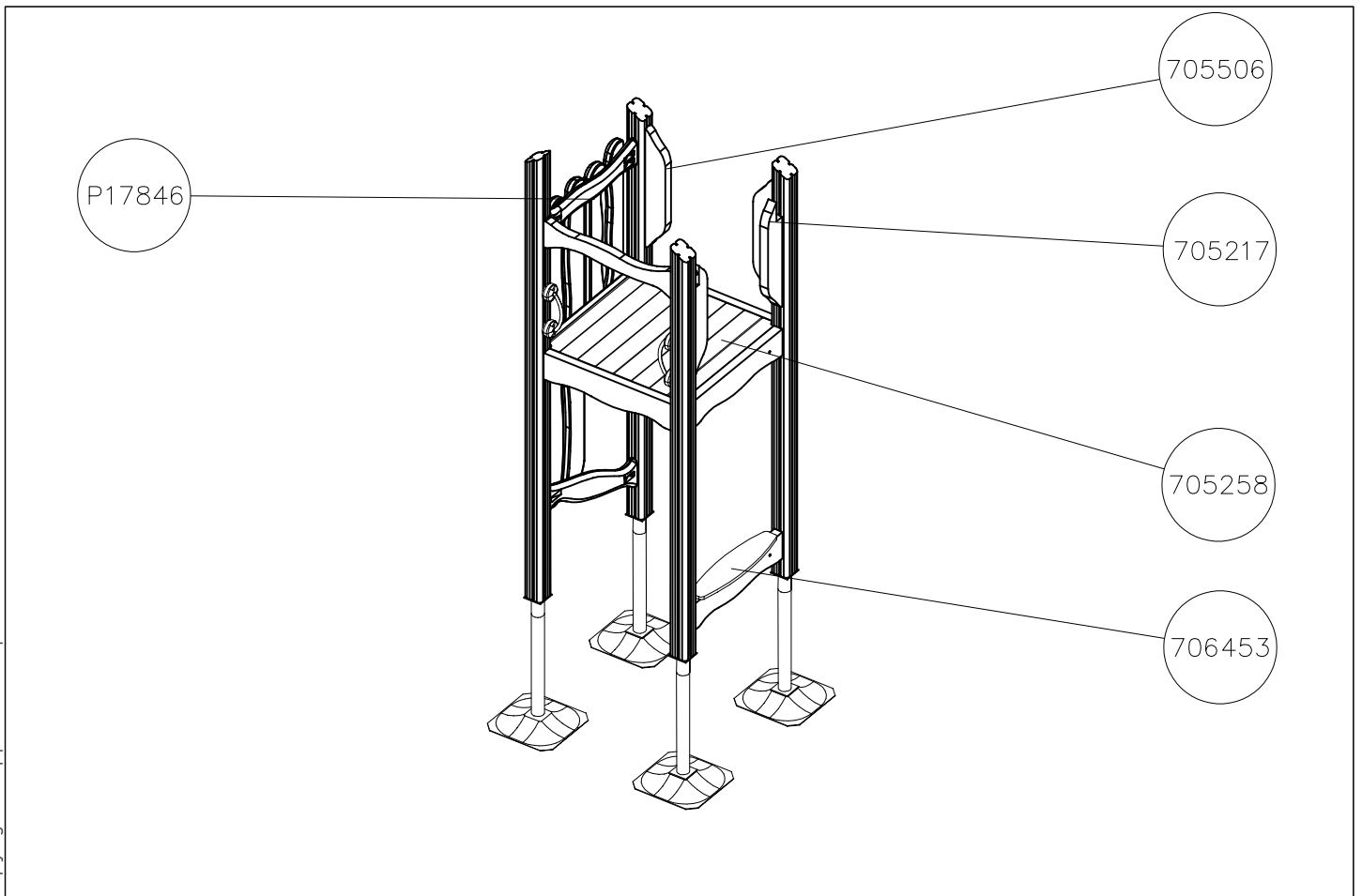
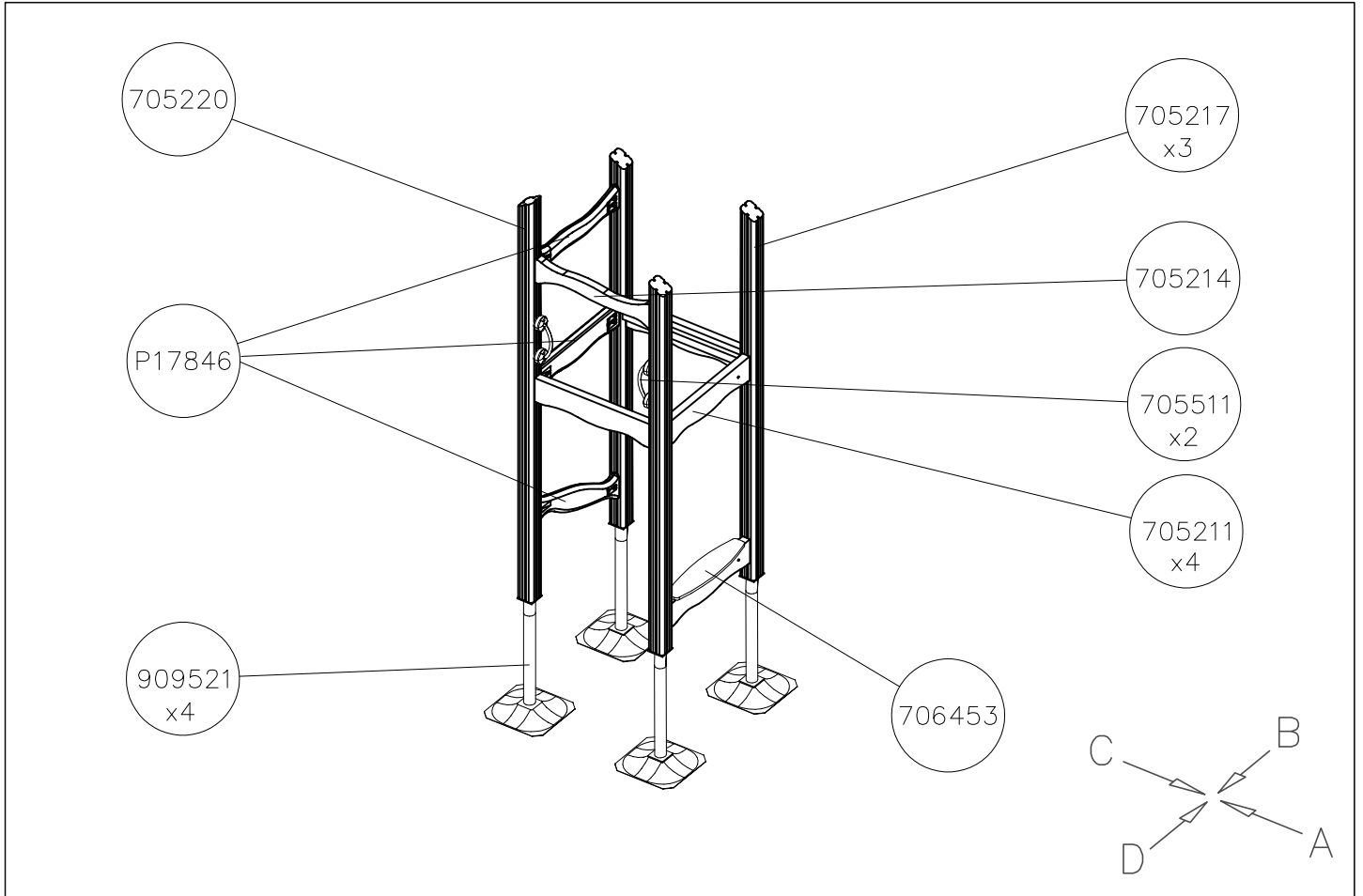
DATE: 26.7.2024





DATE: 26.7.2024



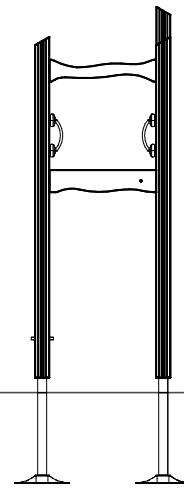
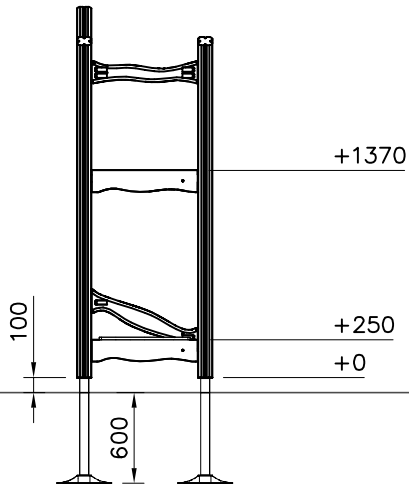


DATE: 26.7.2024

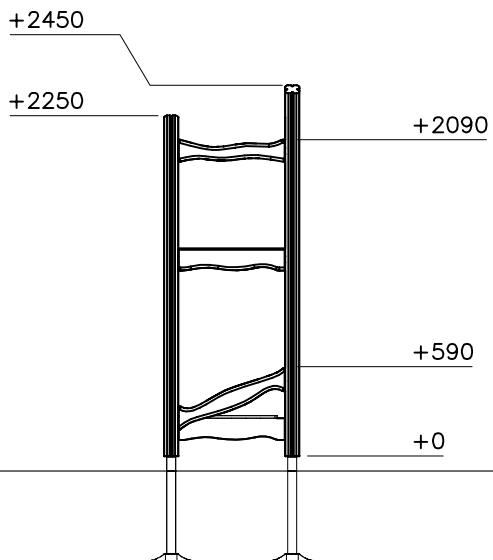
1:50

(B)

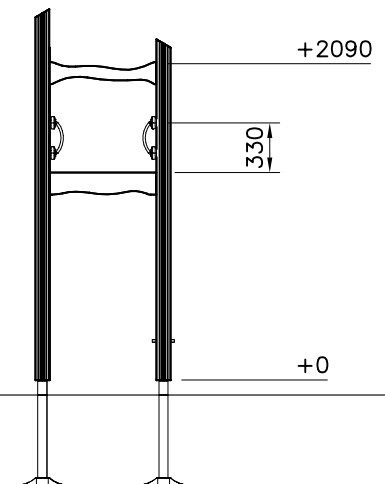
(A)

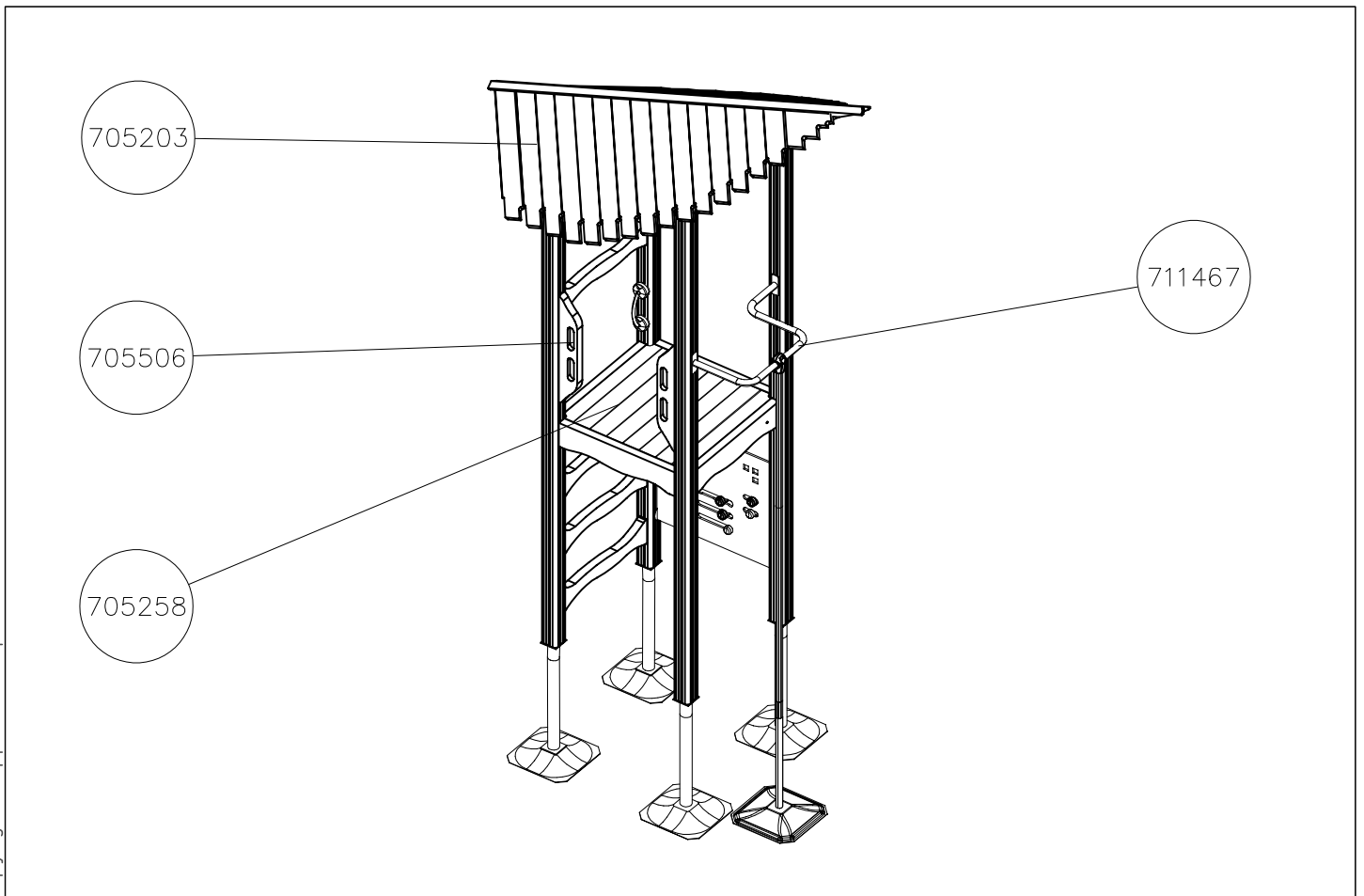
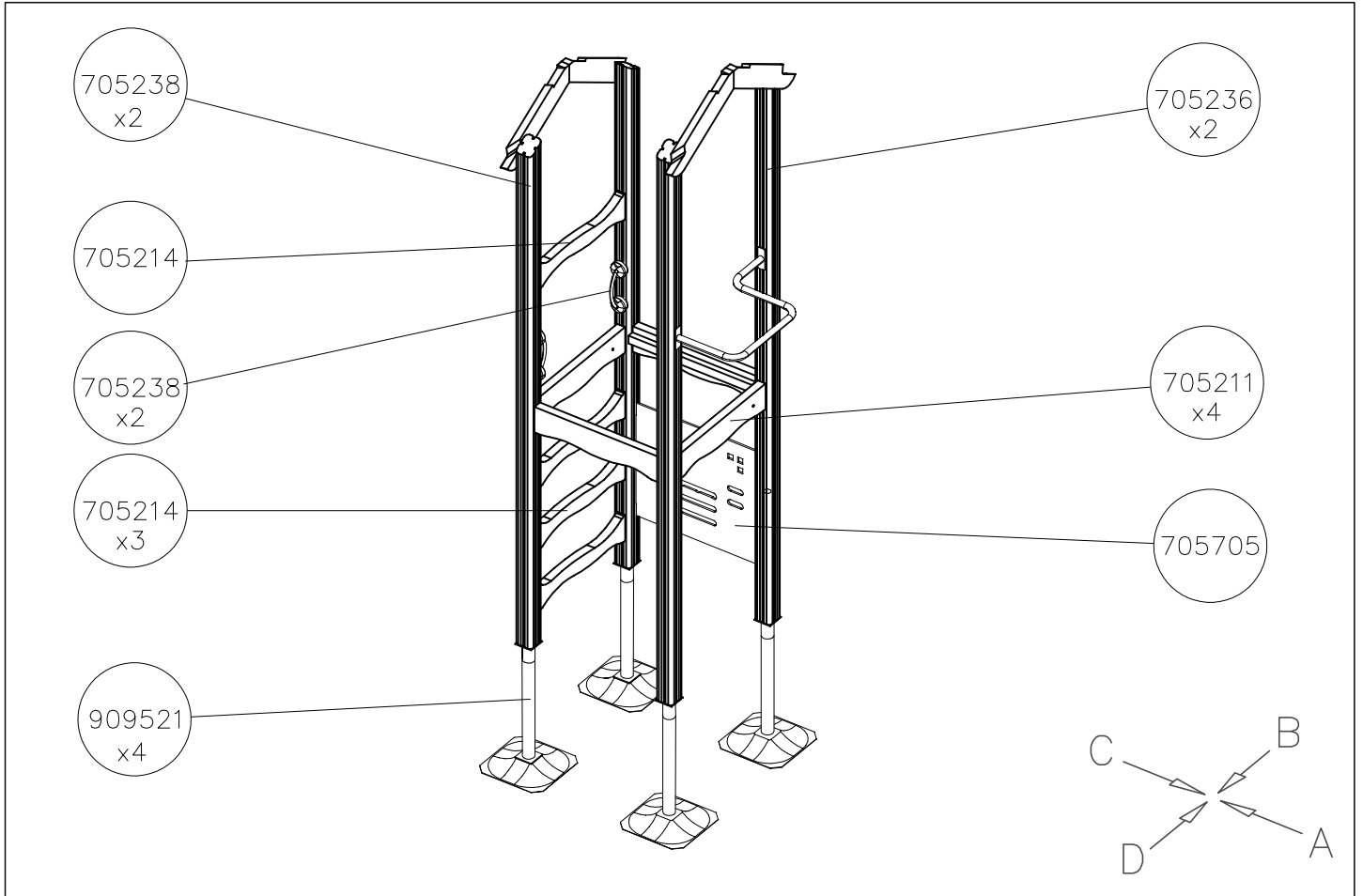


(C)



(D)



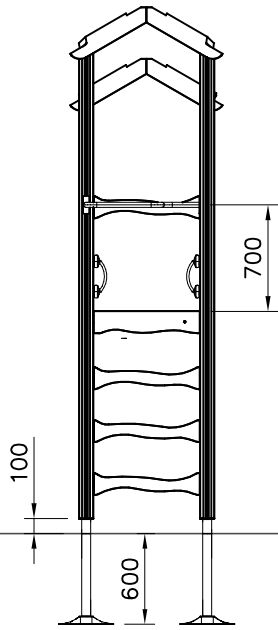




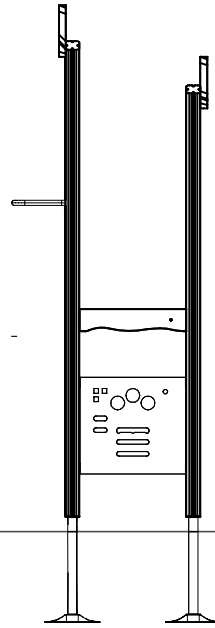
DATE: 26.7.2024

1: 50

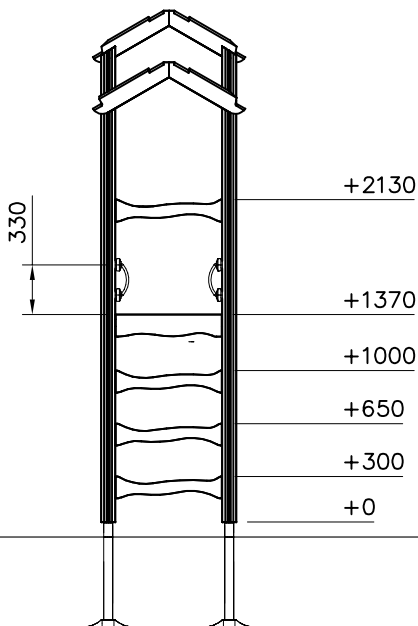
(A)



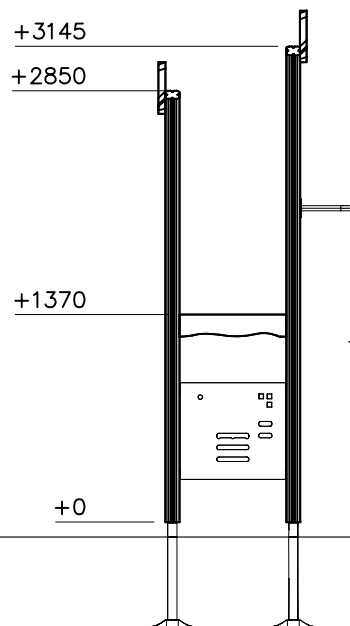
(B)

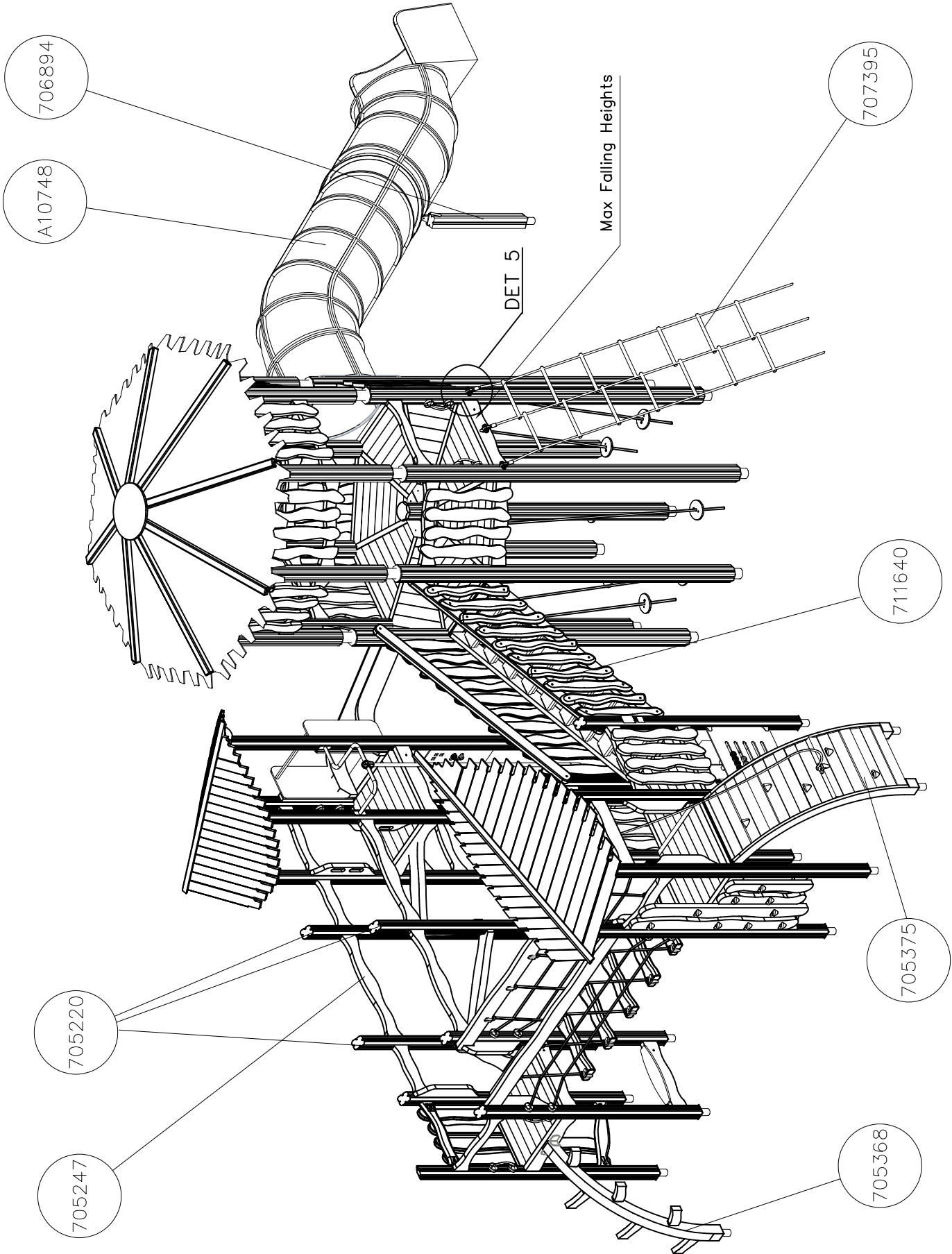


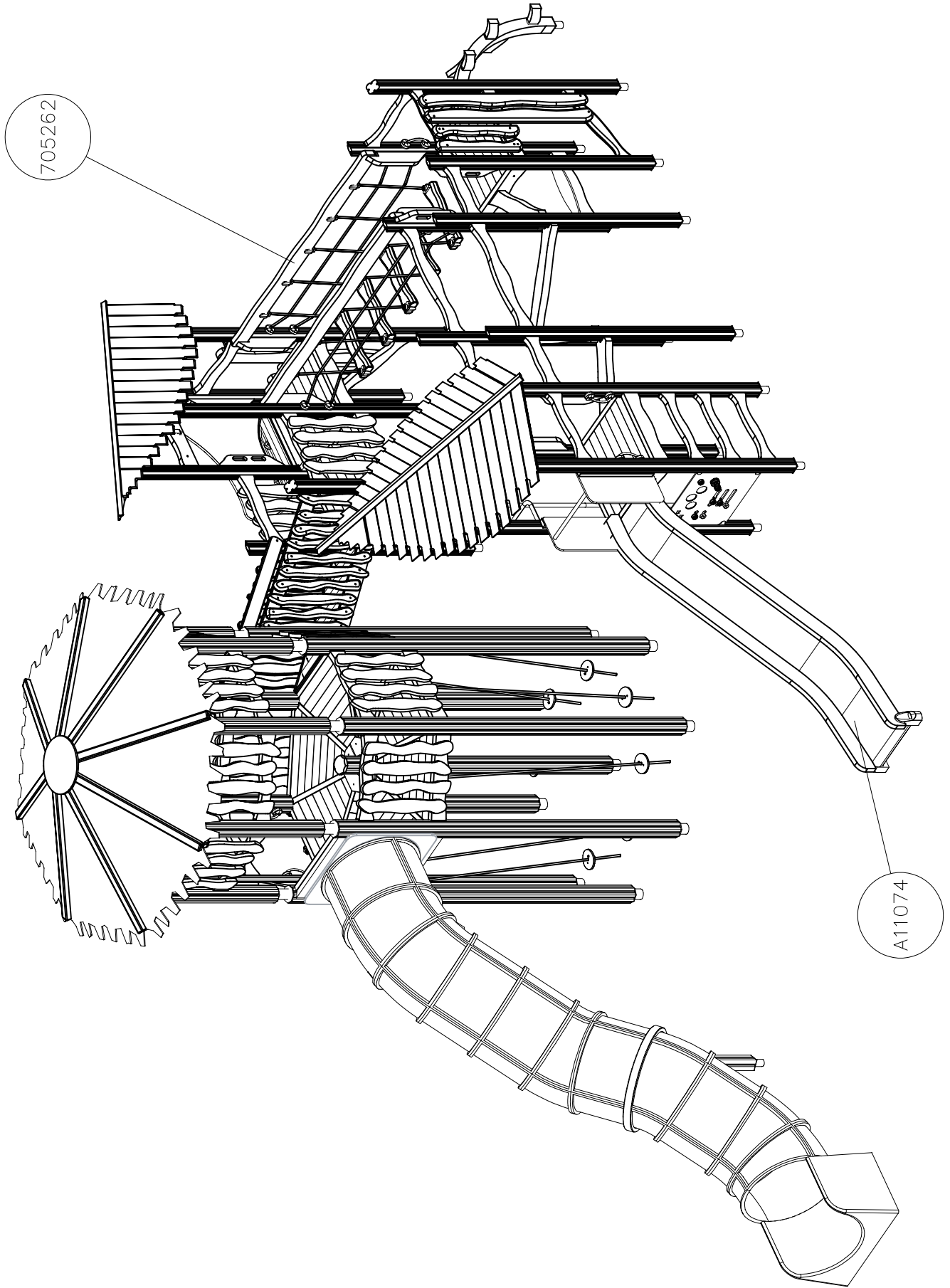
(C)

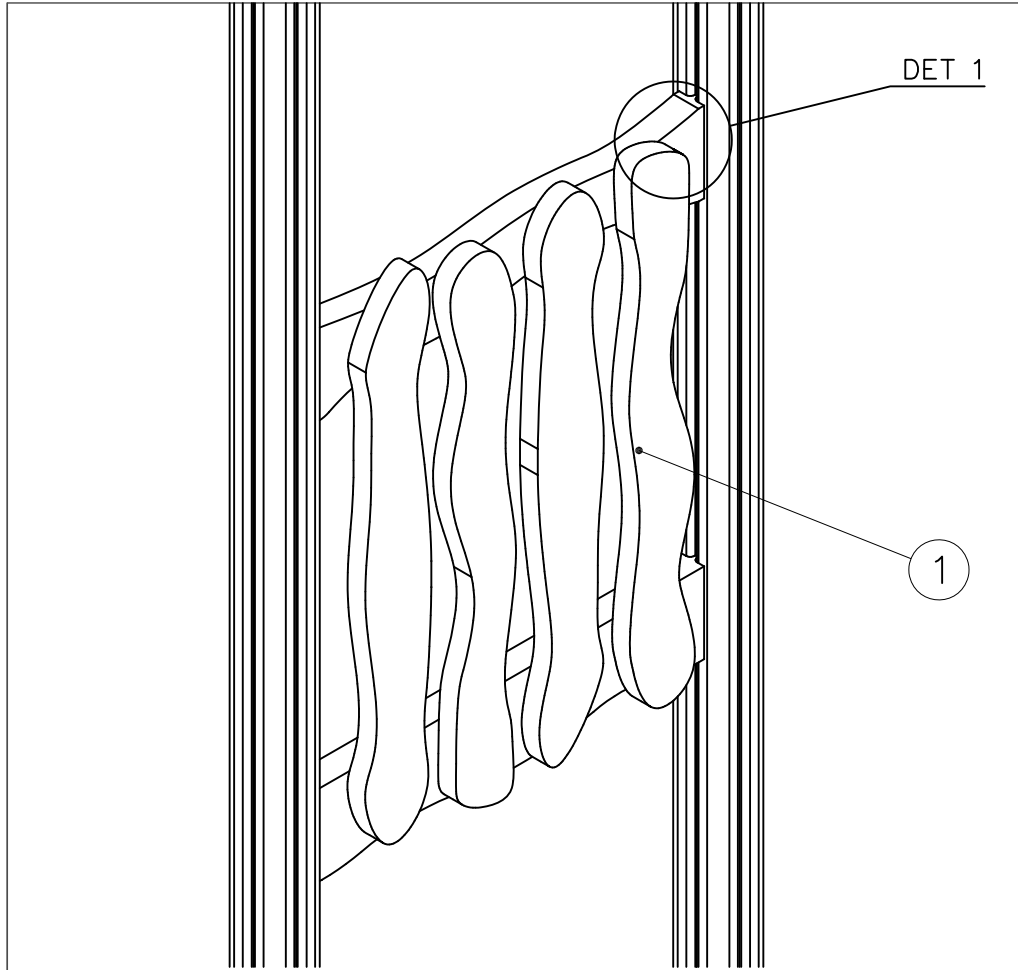




(D)

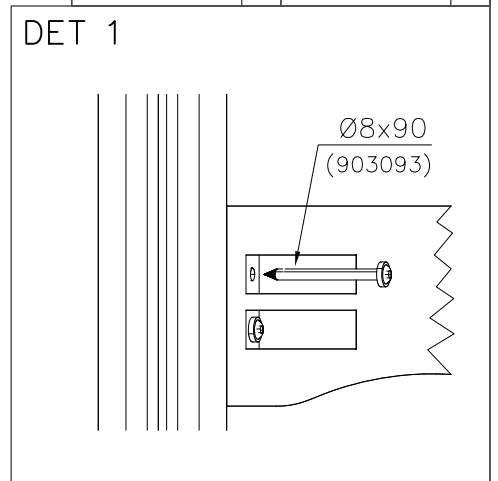
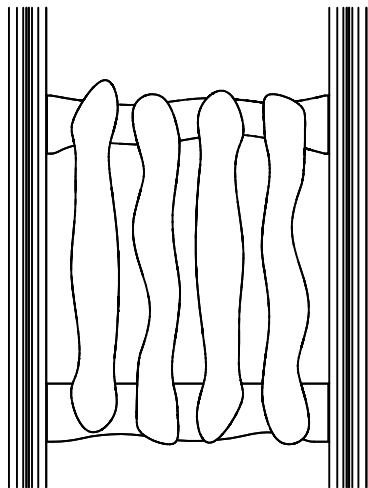


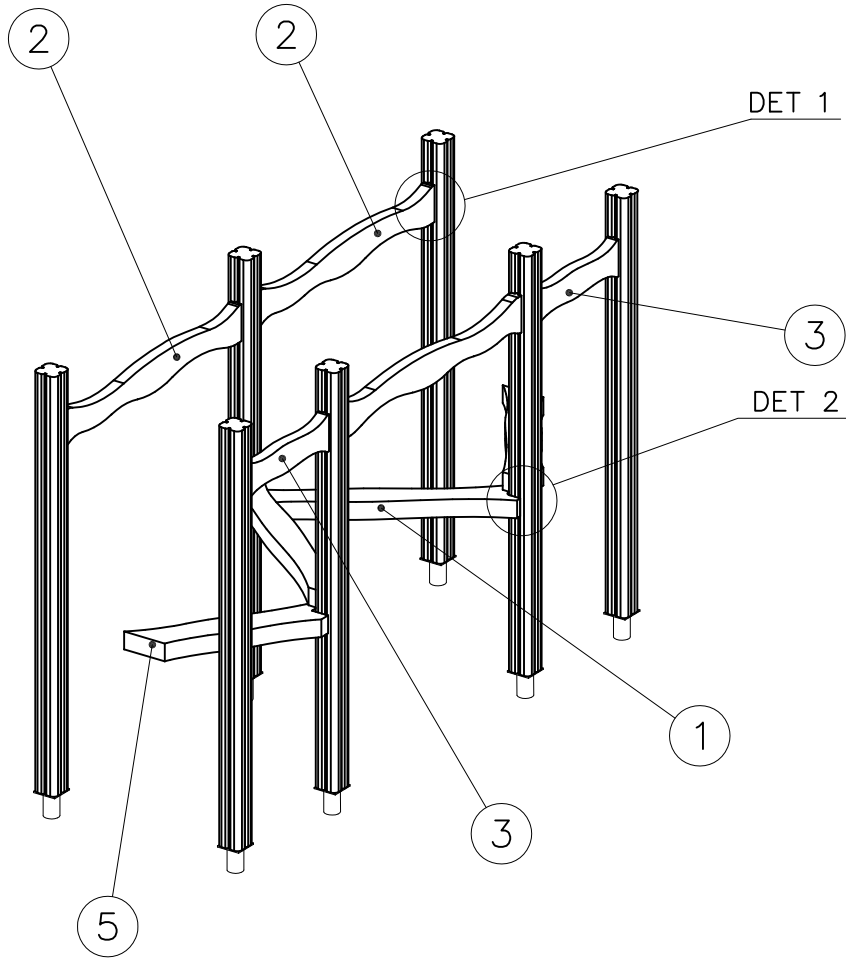


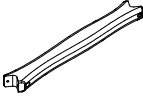


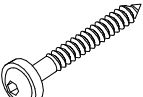
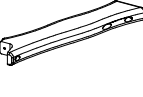
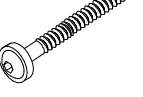

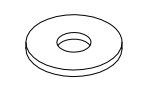


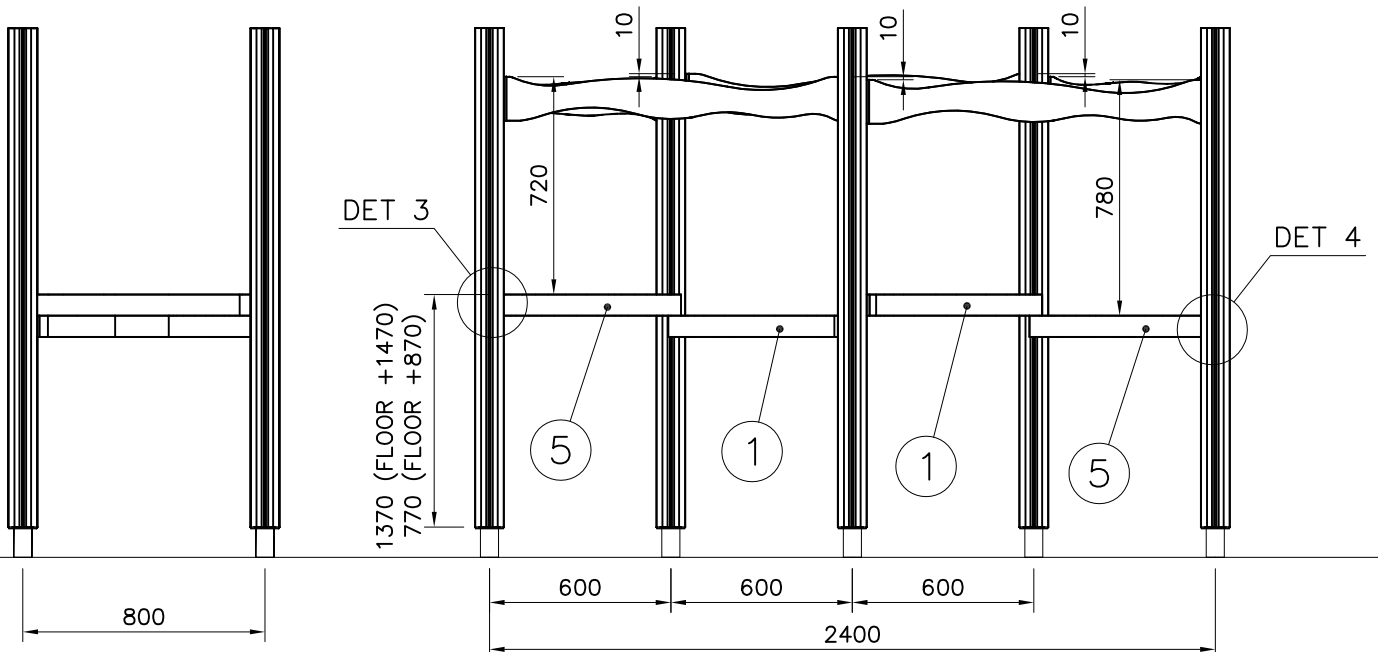


① 705210	PCS	② 903093	PCS
	1		8
		Ø8x90	
	PCS		PCS
	PCS		PCS
	PCS		PCS
	PCS		PCS
	PCS		PCS

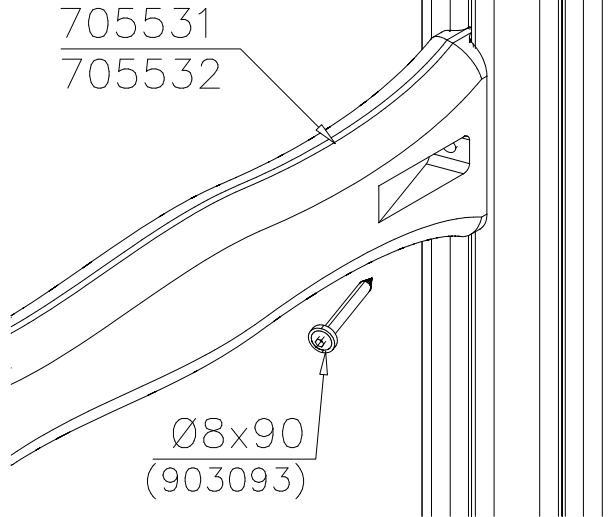




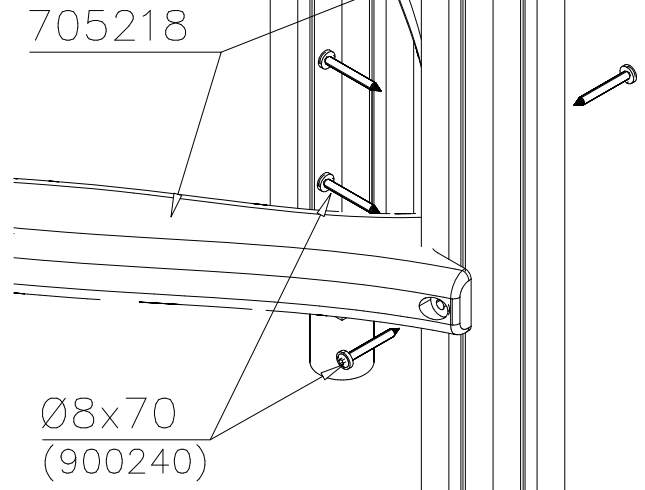
① 705218	PCS	② 705531	PCS
	2		3
70x145x965		45x145x1124	
③ 705532	PCS	④ 900240	PCS
	2		12
45x145x527		Ø8x70	
⑤ 705541	PCS	⑥ 903093	PCS
	2		12
70x145x770		Ø8x90	
⑦ 909230	PCS	⑧ 905051	PCS
	2		2
8x150		Ø24/8.5	



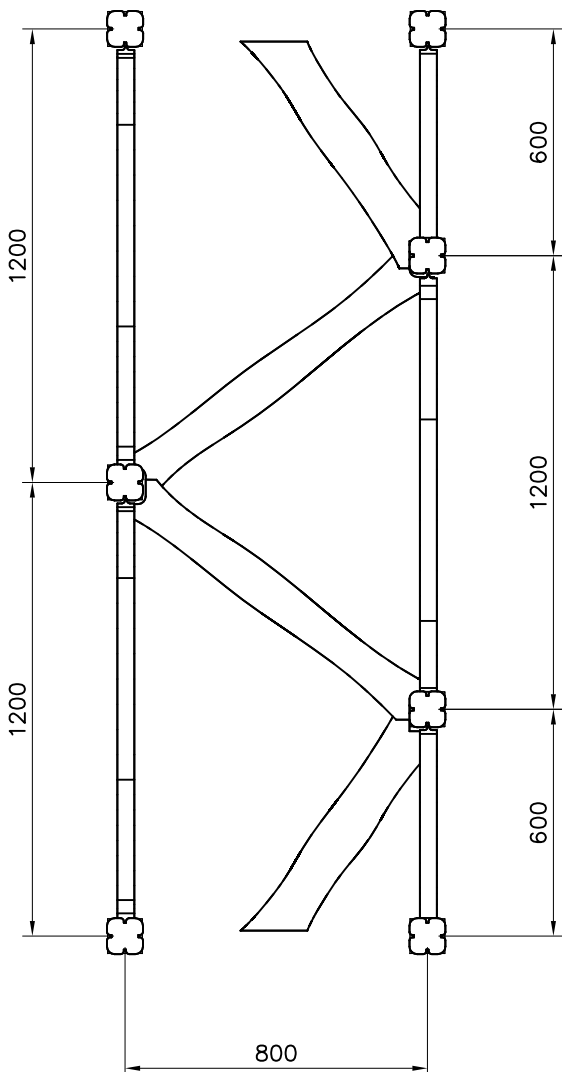
DET 1



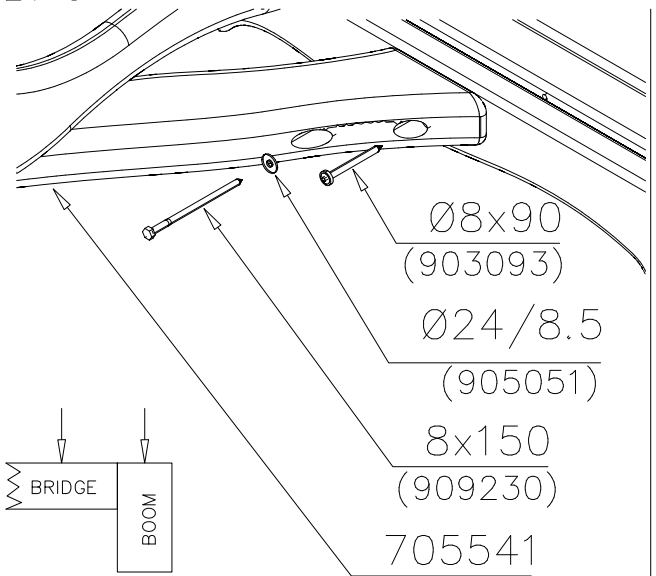
DET 2



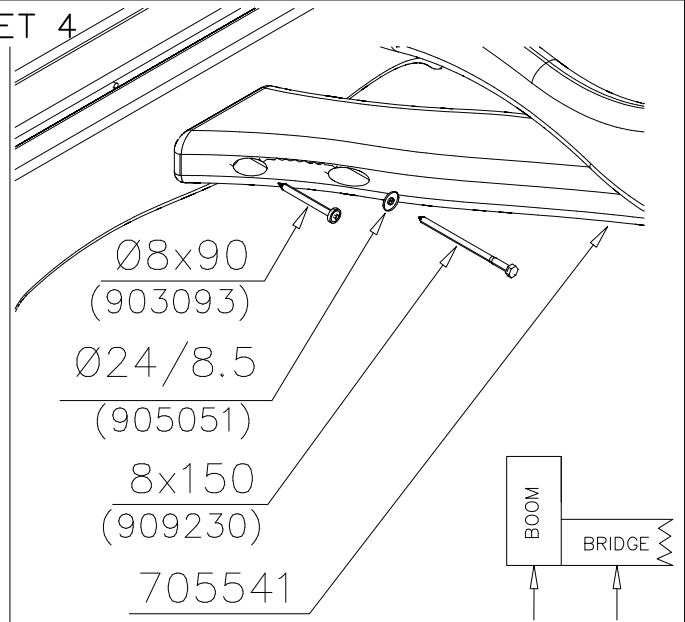
1:20

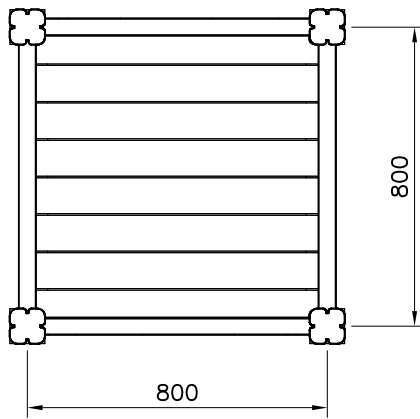
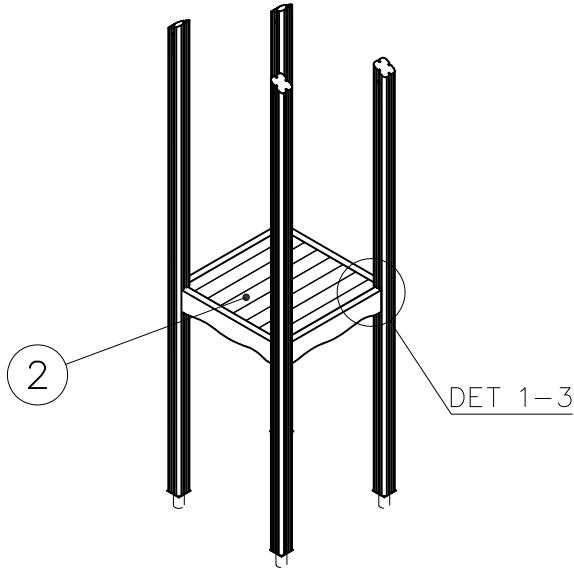


DET 3



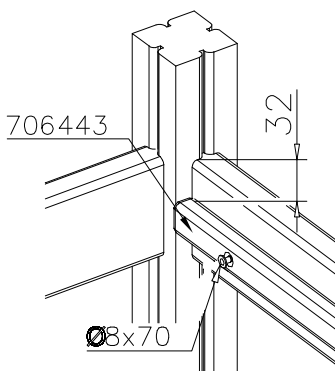
DET 4



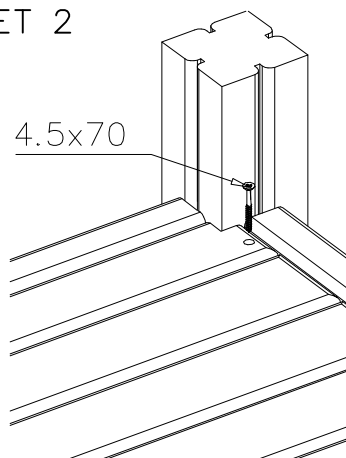


① 706443	PCS	② 705257	PCS
	2		1
32x45x702		32x750x750	
③ 900240	PCS	④ 980101	PCS
	6		8
Ø8x70		Ø4.5x70	
	PCS		PCS
	PCS		PCS

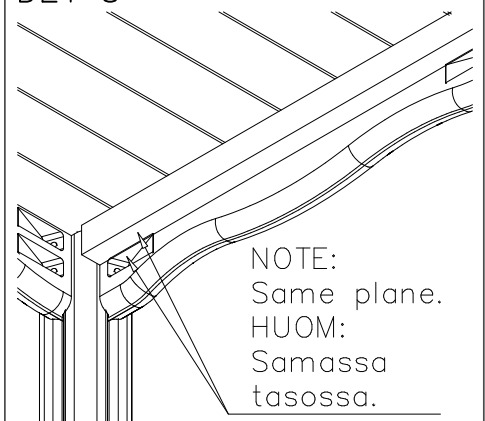
DET 1

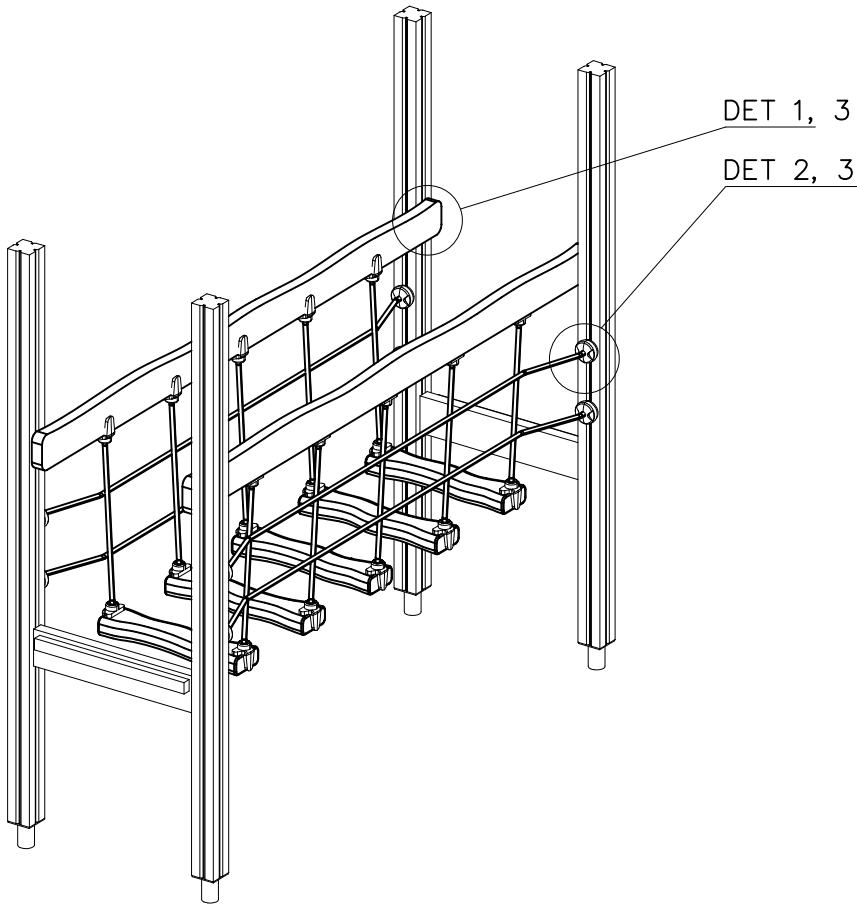


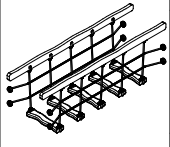
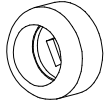




DET 2

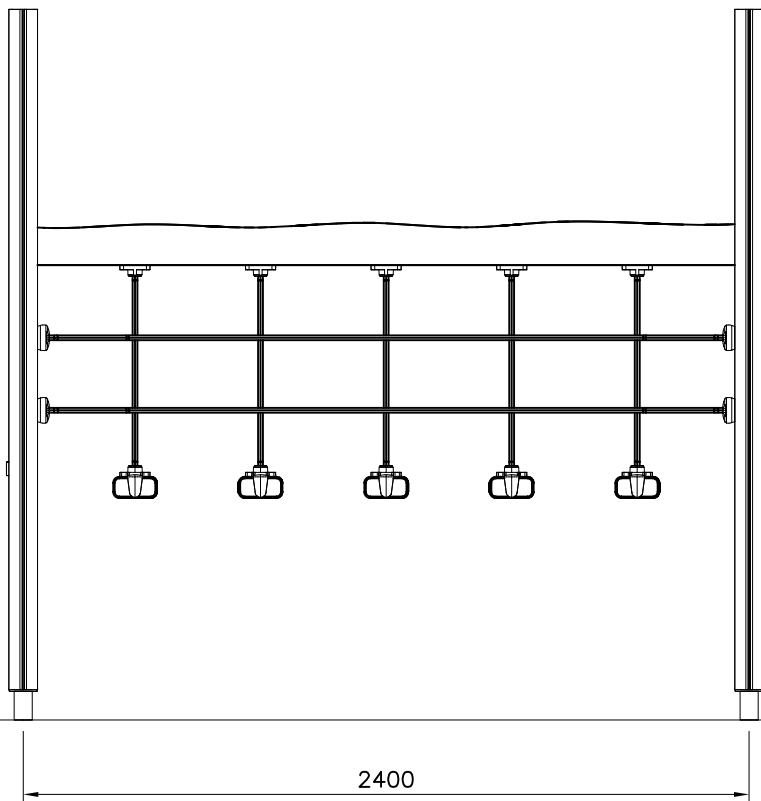
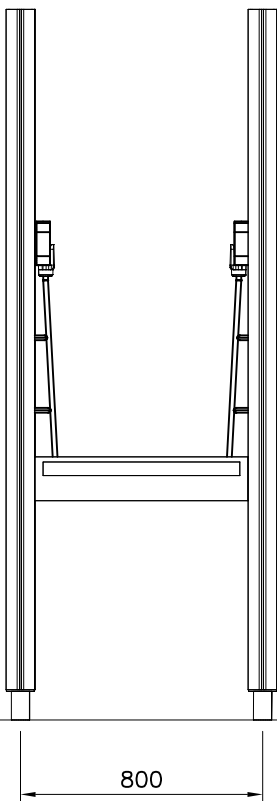


DET 3



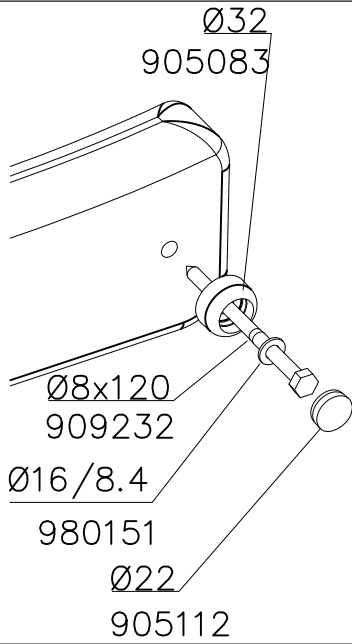


① 705248	PCS	② 905083	PCS
	1		4
		Ø32	
③ 905112	PCS	④ 909232	PCS
	4		4
Ø22		Ø8x120	
⑤ 980151	PCS	⑥ 900240	PCS
	4		16
Ø16/8.4		Ø8x70	
	PCS		PCS

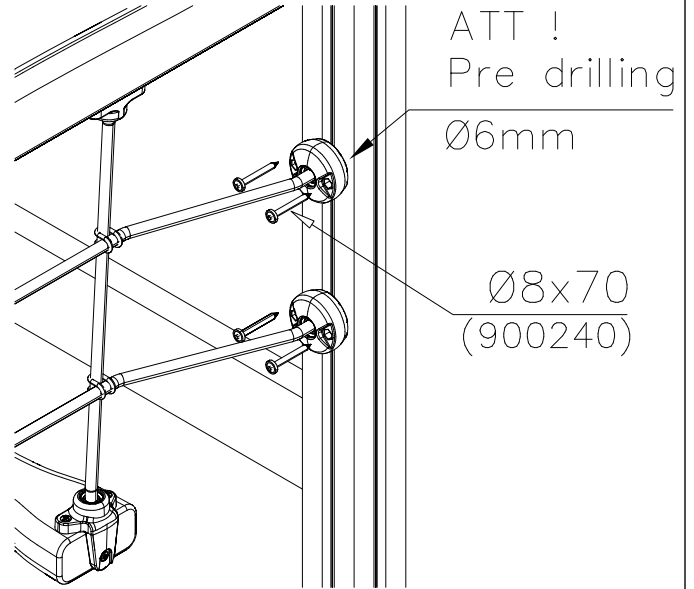




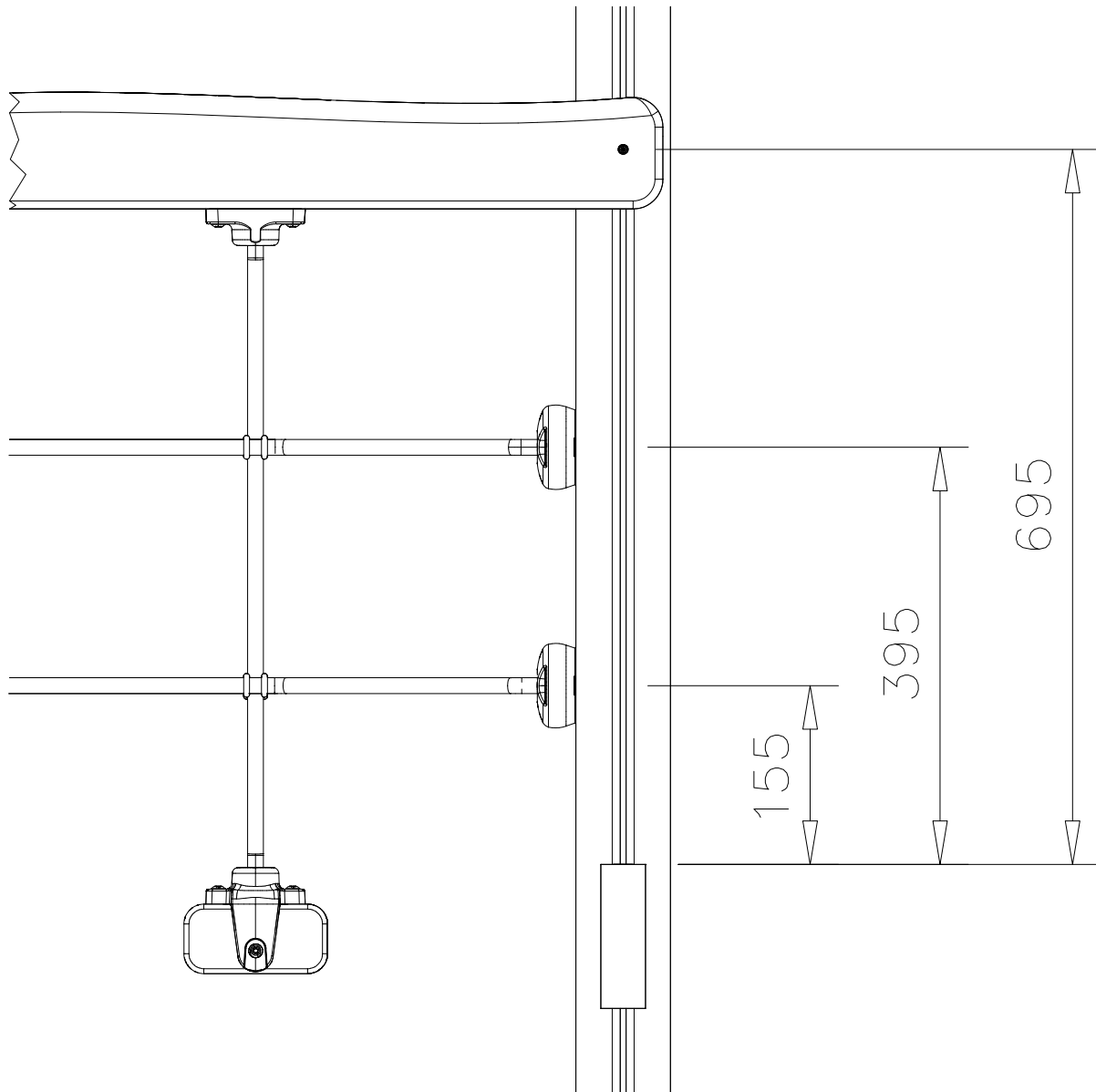
DET 1

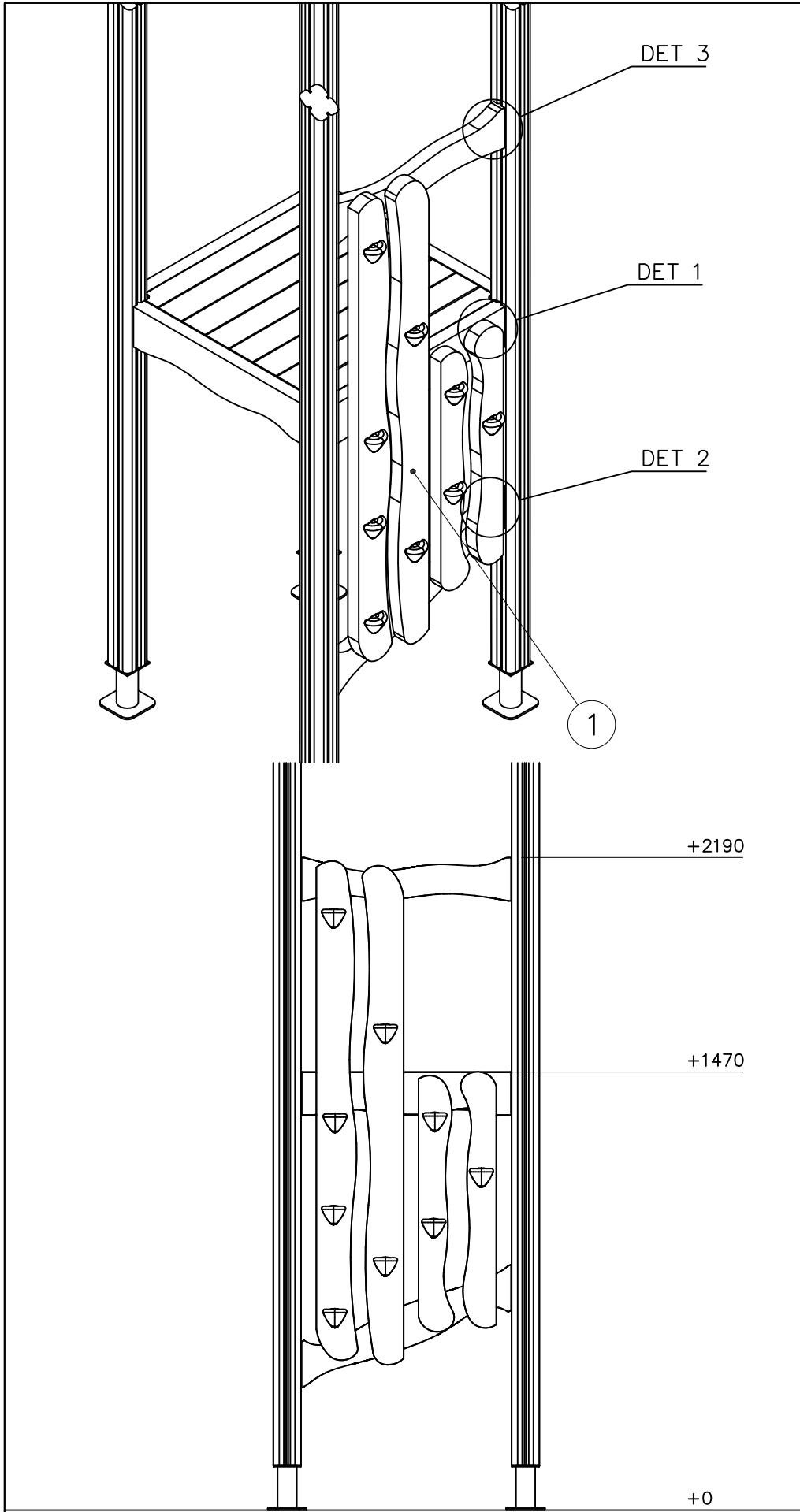


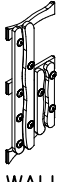
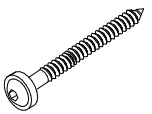
DET 2



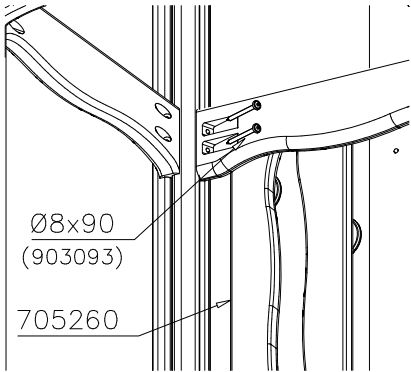
DET 3



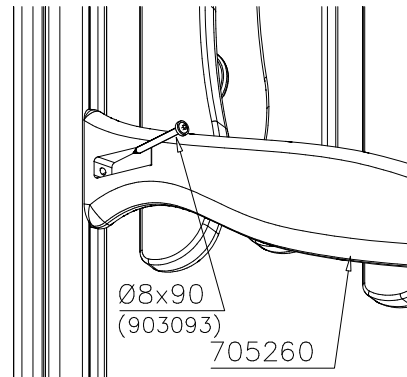


① 705260	PCS	② 903093	PCS
	1		10
WALL		Ø8x90	
	PCS		PCS
	PCS		PCS
	PCS		PCS
	PCS		PCS
	PCS		PCS
	PCS		PCS

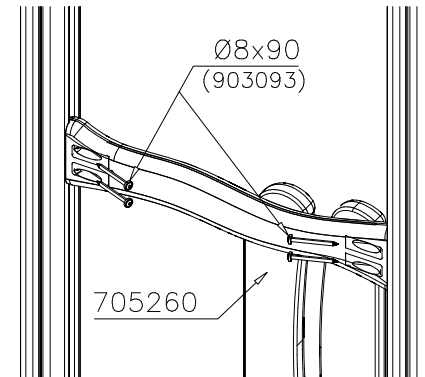
DET 1

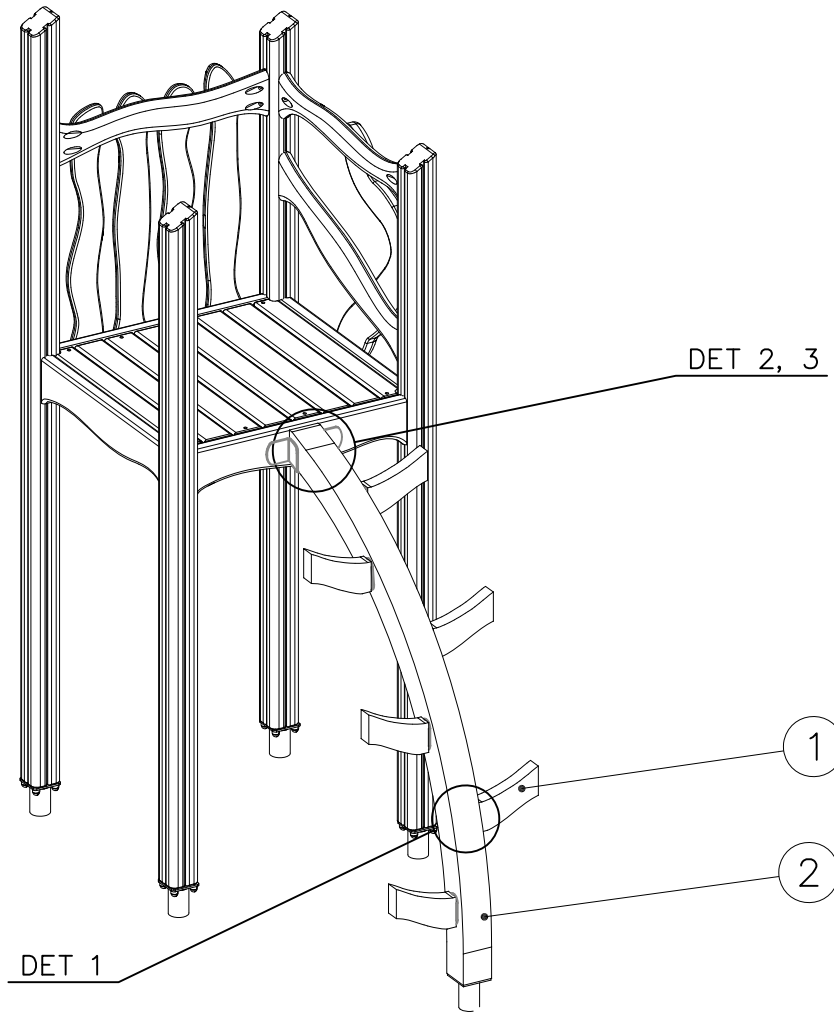


DET 2

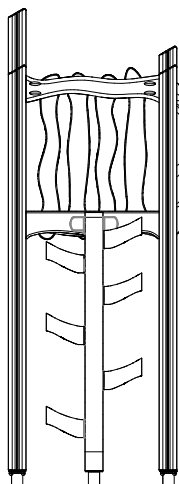


DET 3

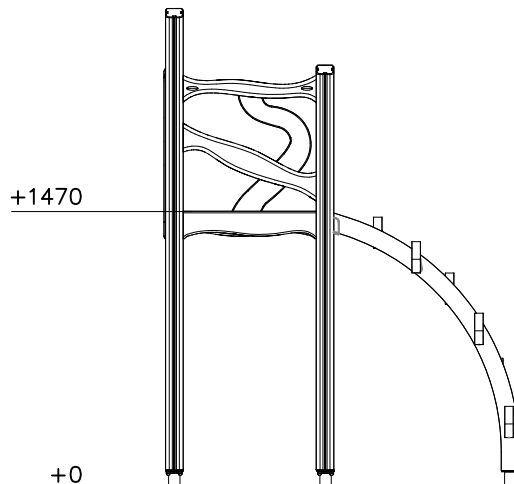




① 705643	PCS	② 705367	PCS
	6		1
		95x1005x1365	
③ 902439	PCS	④ 902474	PCS
	1		1
⑤ 905103	PCS	⑥ 909256	PCS
	12		12
PT-28/32-H		Ø16/8.4	
⑦ 980161	PCS	⑧ 980165	PCS
	12		12
M10		Ø24/13	
⑨ 980128	PCS		PCS
	12		
Ø7x40			



400

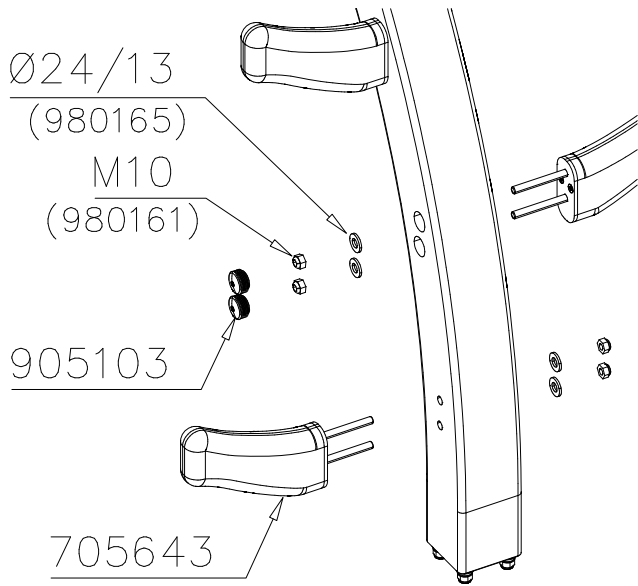


+1470

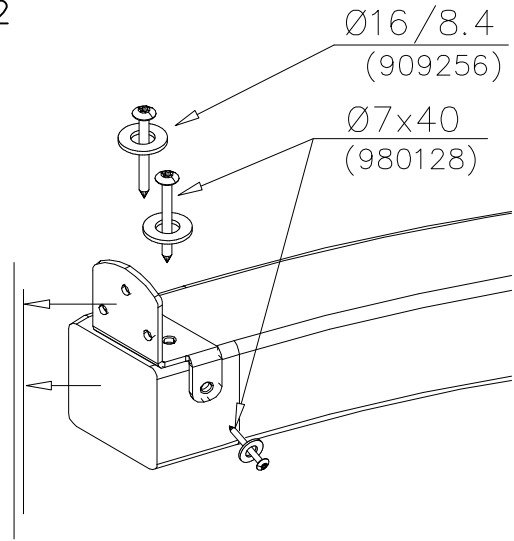
+0

980

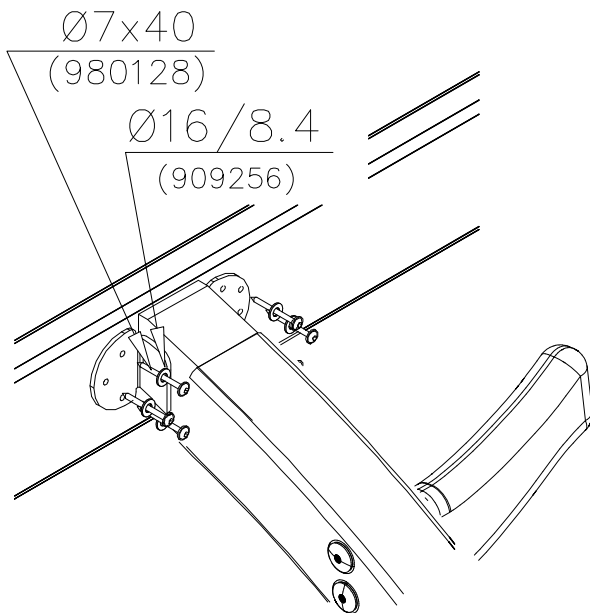
DET 1

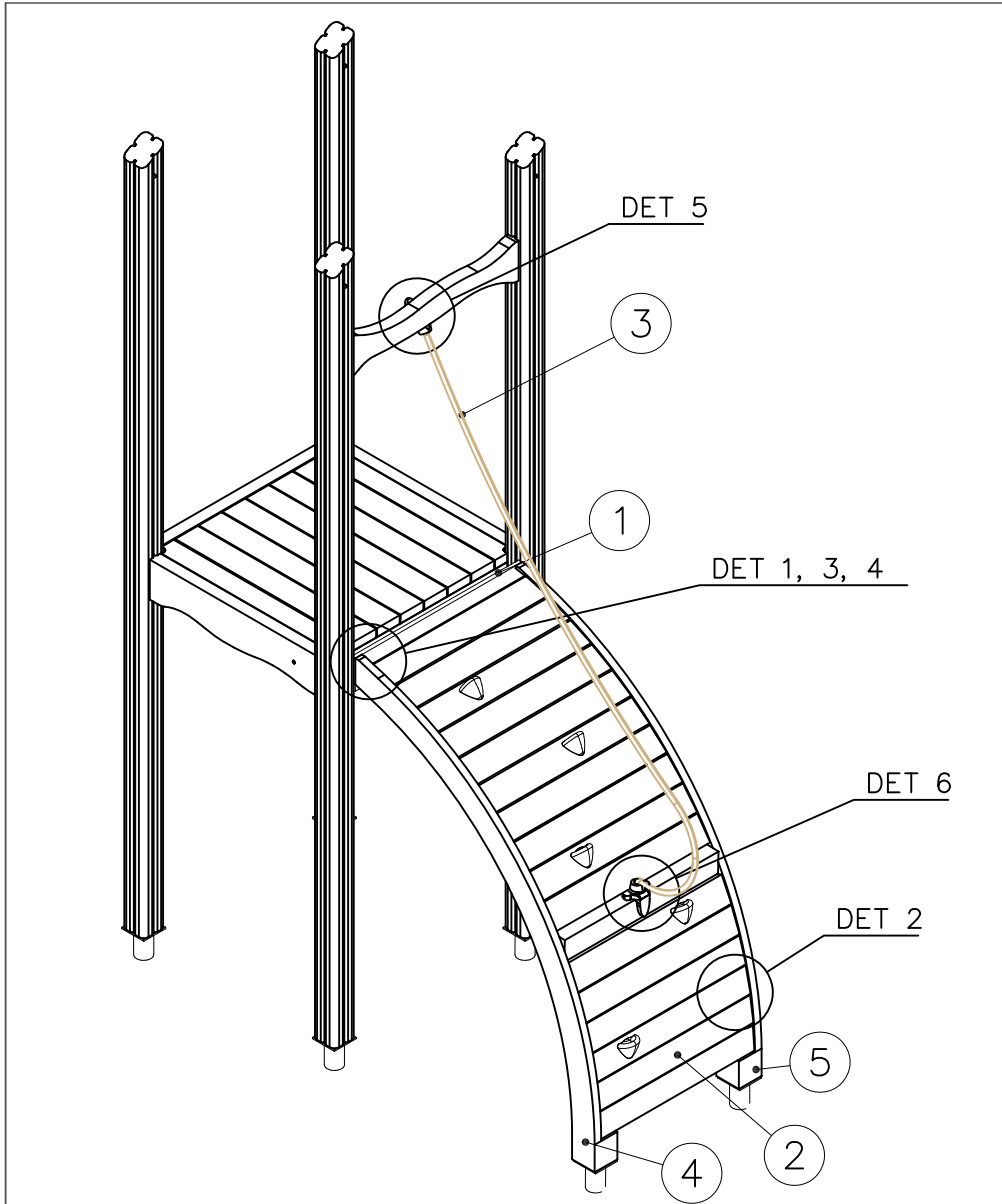


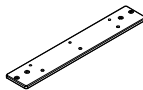




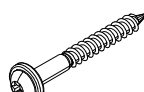

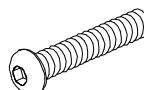
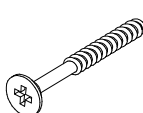


DET 2

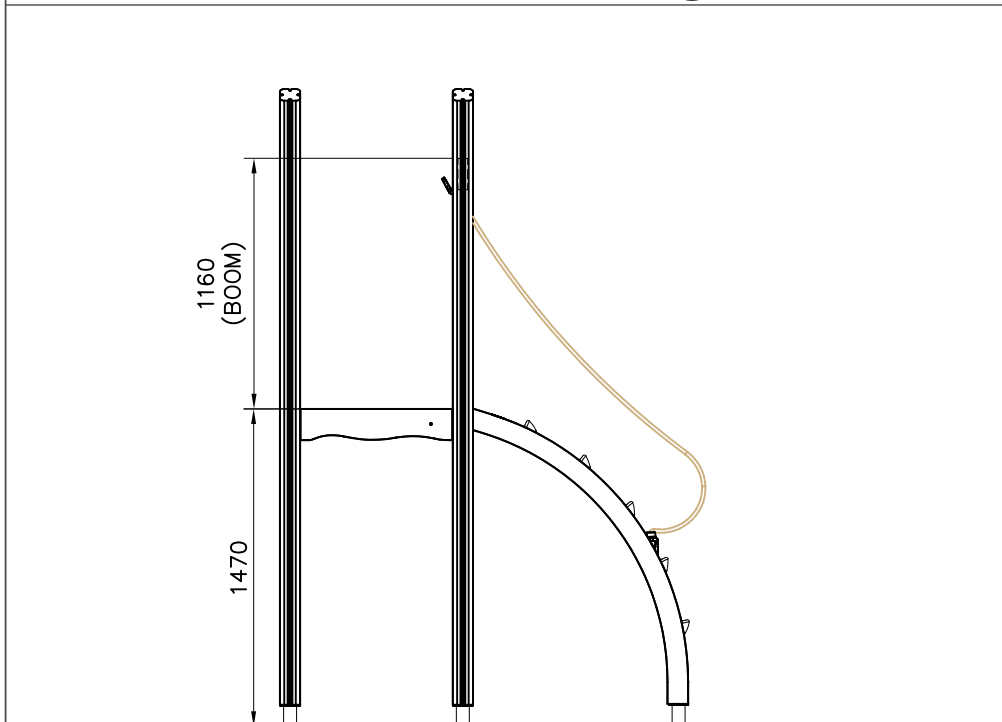


DET 3

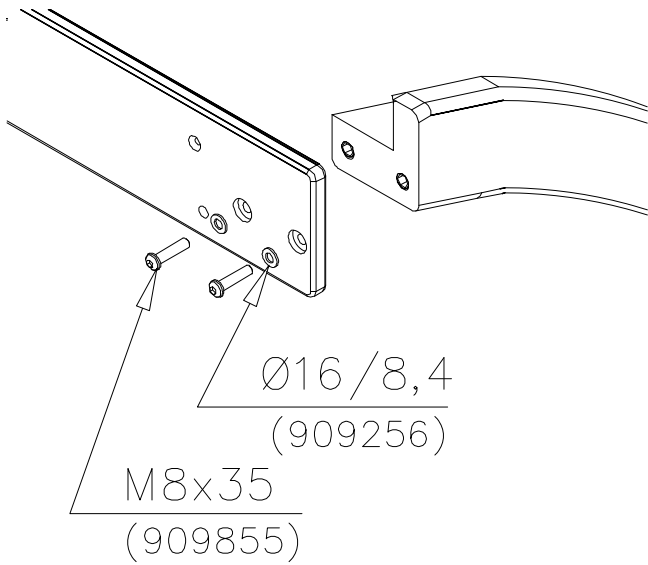




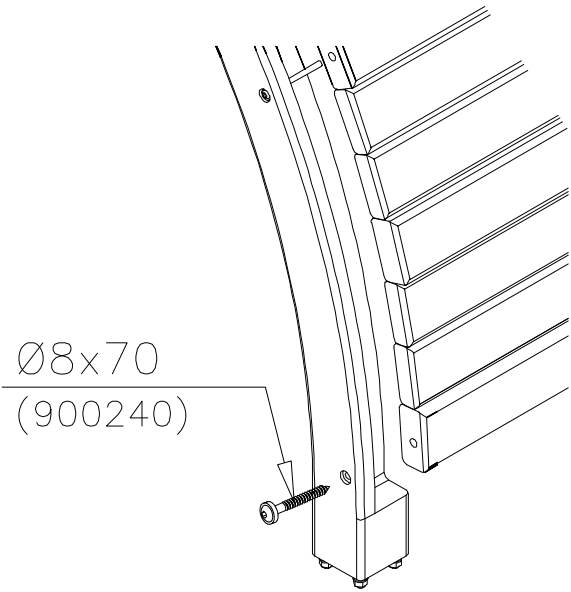
① 701092 -707  15x120x700	PCS 1	② 705331  45x645x1670	PCS 1
③ 705363  L 2120	PCS 1	④ 701090  95x1005x1365	PCS 1
⑤ 701091  95x1005x1365	PCS 1	⑥ 900240  Ø8x70	PCS 8
⑦ 909256  Ø16/8.4x1.6	PCS 4	⑧ 909855  M8x35	PCS 4
⑨ 980107  Ø6x60	PCS 3	⑩ 980123  Ø7x60	PCS 4
⑪ 980128  Ø7x40	PCS 5		PCS
	PCS		PCS
	PCS		PCS



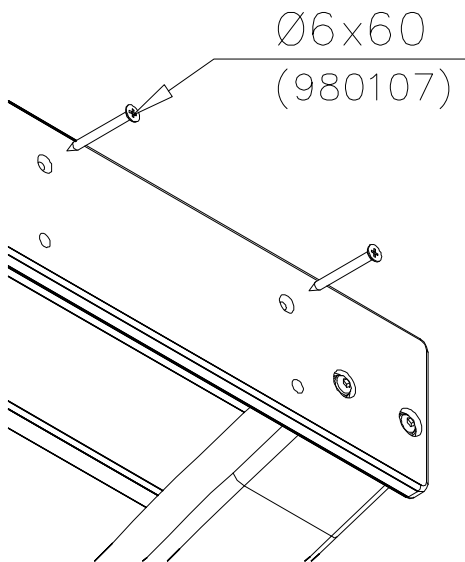
DET 1



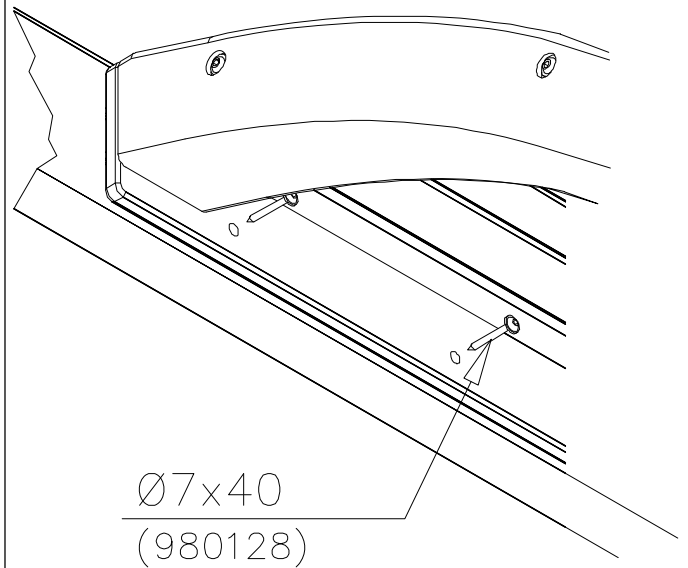
DET 2



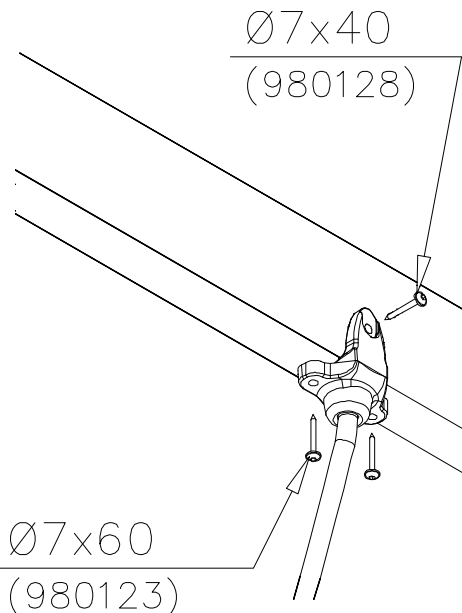
DET 3



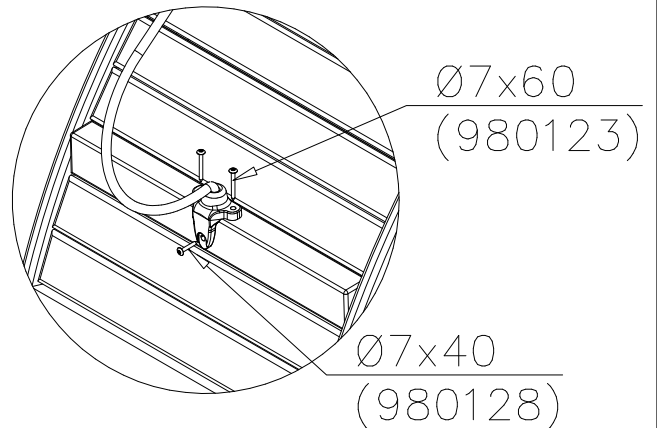
DET 4

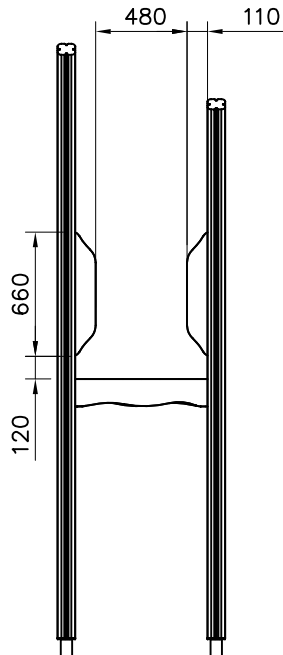
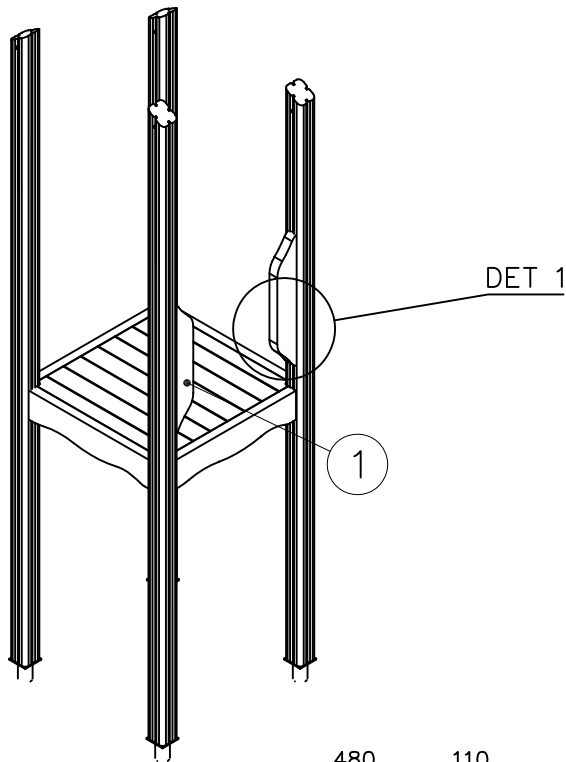



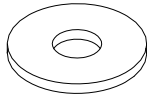

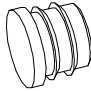
DET 5



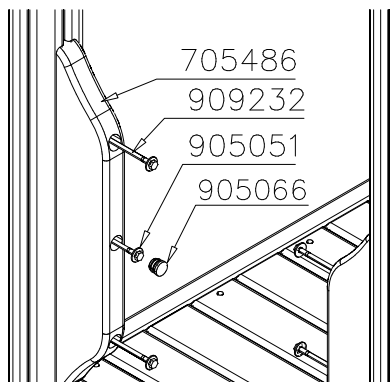
DET 6



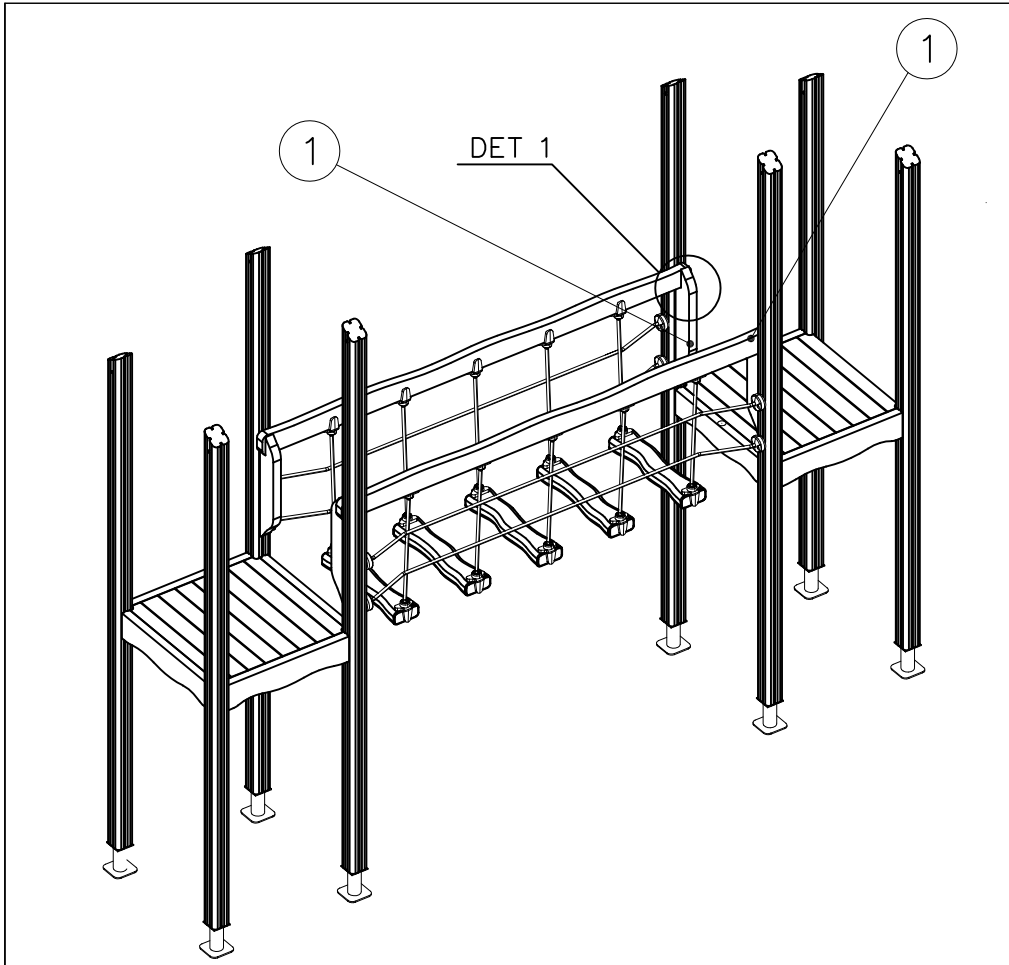



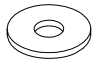
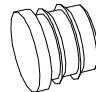

① 705486	PCS	② 905051	PCS
	2		6
45x120x660		Ø24/8.4	
③ 909232	PCS	④ 905066	PCS
	6		6
8x120		S30H	
	PCS		PCS
	PCS		PCS
	PCS		PCS
	PCS		PCS

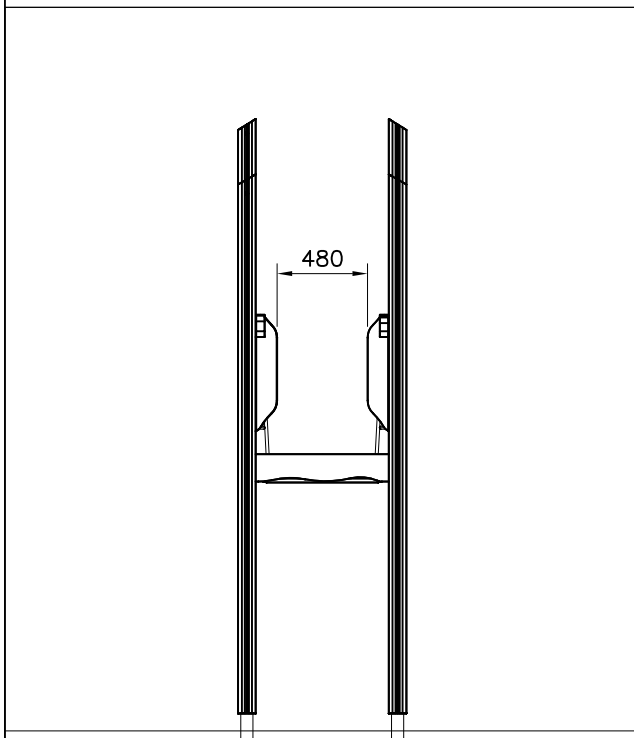
DET 1



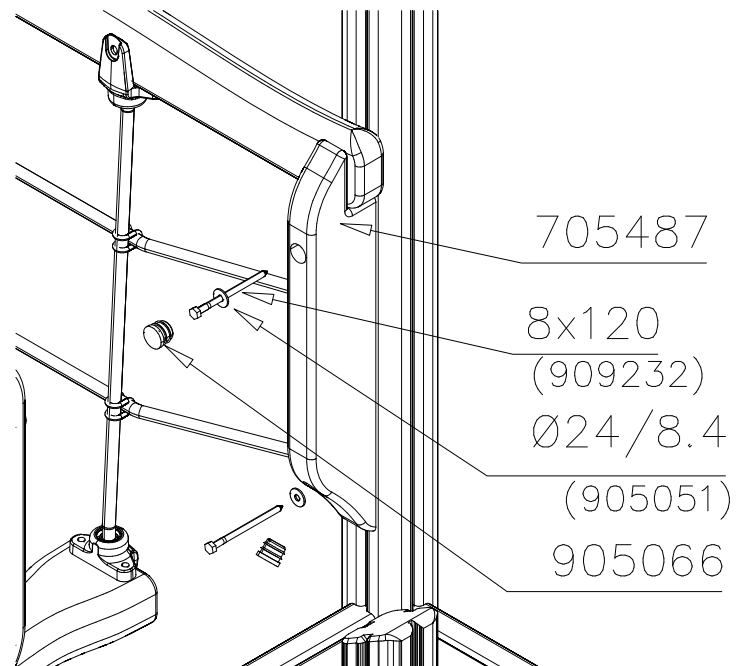




① 705487	PCS	② 905051	PCS
	2		4
45x120x590		Ø24/8.4	
③ 905066	PCS	④ 909232	PCS
	4		4
S30H		8x120	
	PCS		PCS
	PCS		PCS



DET 1





# LAPPSET® DEEP FOUNDATION

# FOOT

DATE: 15.5.2018

1(1)



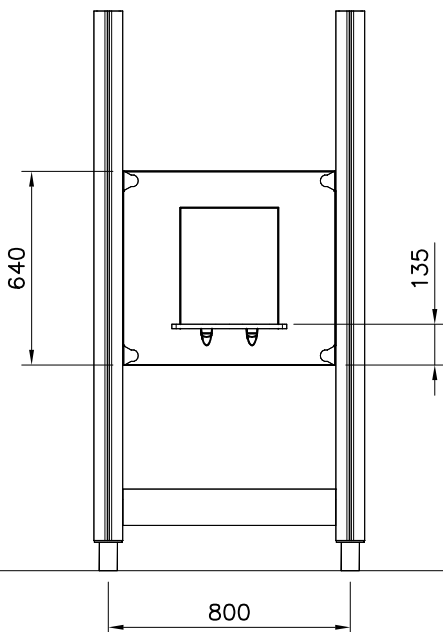
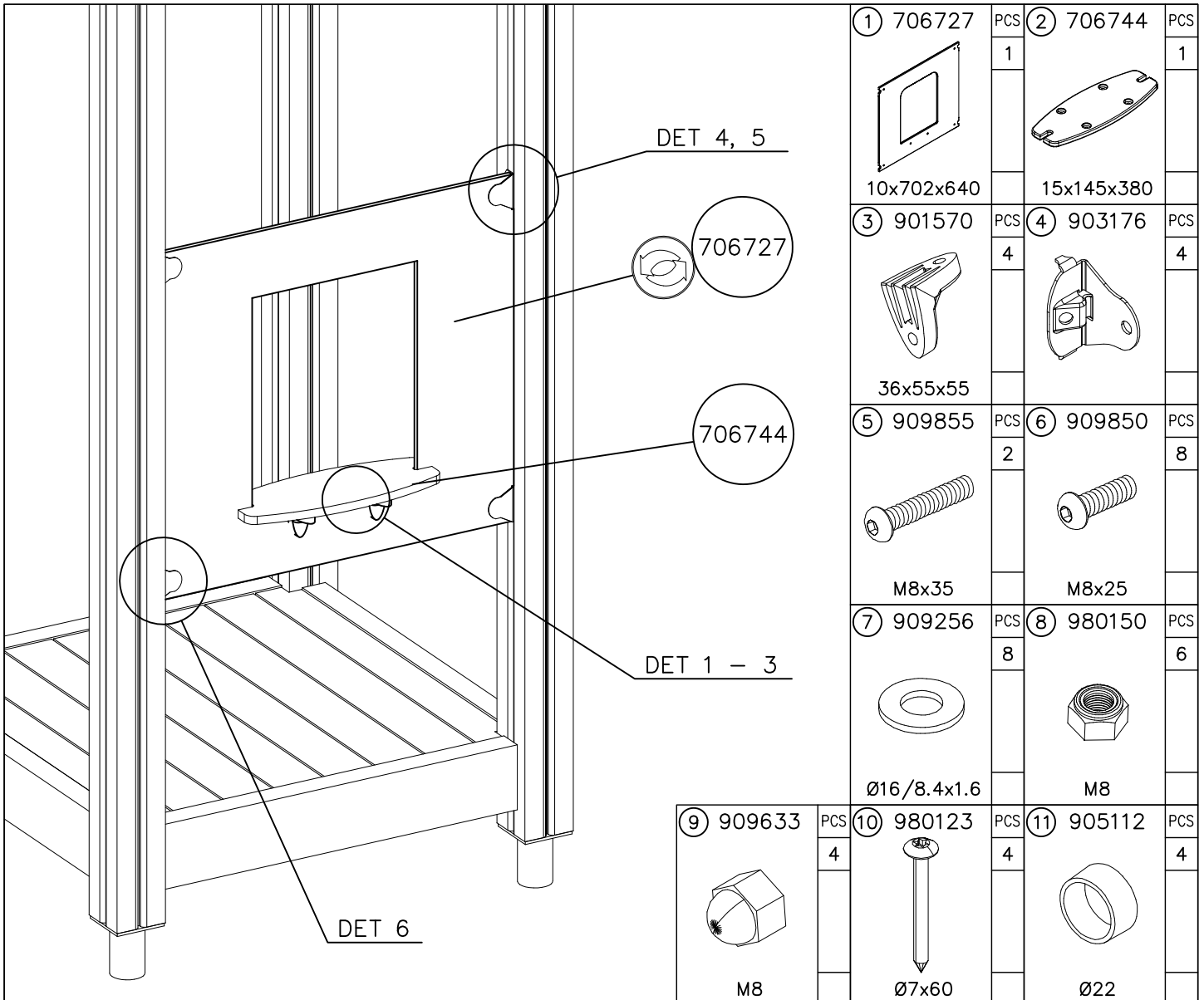
①	909511	PCS	②	909519	PCS
		1			1
	90x90x650			50x380x380	

③	909637	PCS	④	909638	PCS
		4			8
	M10			Ø20/10.5	

⑤	909639	PCS	⑥	905104	PCS
		4			4
	M10x25			M10	

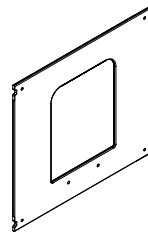
OPTION FOOT

①	911155	PCS			PCS
		1			
	90x90x650				



### WALL OPTIONS

706727

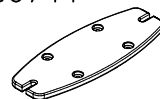


10x640x702

706727-701	BLUE
706727-702	YELLOW
706727-703	LIME
706727-704	DARK GRAY
706727-705	LIGHT GRAY
706727-706	RED
706727-707	GREEN
706727-708	FUXIA

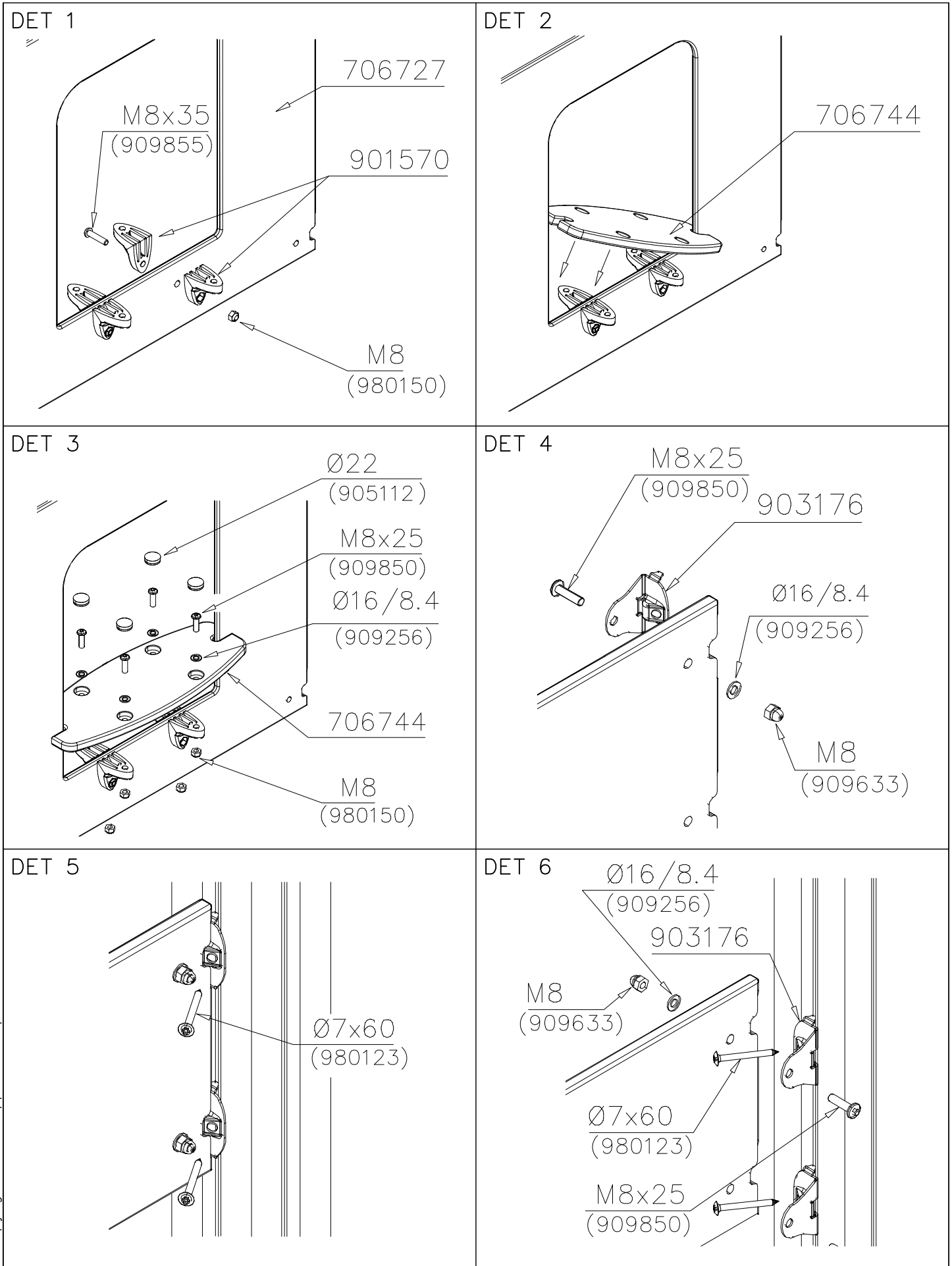
### WALL OPTIONS

706744



15x145x380

706744	DARK GRAY
--------	-----------



**Tuotekyltti tulee tuotteen mukana yhdellä seuraavista tavoista:****1) Metallinen tuotekyltti ja kiinnitysruuvit**

- Kiinnitä tuotekyltti ruuveilla tolppaan noin 2 metrin korkeuteen kuvan 1 mukaisesti.

**2) Tuotekylttitarra**

- Puhdista maalattu metalli- tai vaneripinta pölystä ja kosteudesta. Liimaa tarra kuvan 2 mukaisesti.
- Huom. Älä kiinnitä tarraa karheapintaiseen laminaattiin tai maalattuun puuhun.

**Vår produktmärkning levereras på ett av följande sätt:****1) Produktskylt i metall**

- Fäst skylten med de medföljande skruvarna

**2) Självhäftande produktetikett**

- Rengör den pulverlackerade metallytan eller laminatyten så att den blir fri från smuts och fukt. Fäst etiketten enligt fig. 2.
- Obs! Fäst ej etiketten på detaljer med skrovlig yta eller på målat trä.

**Product label is delivered by one of following ways:****1) Metal product label and screws**

- Fasten the label with screws.

**2) Label sticker**

- Clean the painted metal or plywood surface from dirt and moisture. Fasten the sticker as shown in the figure 2.
- Note. Do not attach the sticker to rough surfaced laminate or painted wood.

**La plaque d'informations produit est livrée sous l'une de ces 3 formes :****1) Plaque métallique et vis**

- Fixez la plaque à l'aide des vis.

**2) Etiquette autocollante**

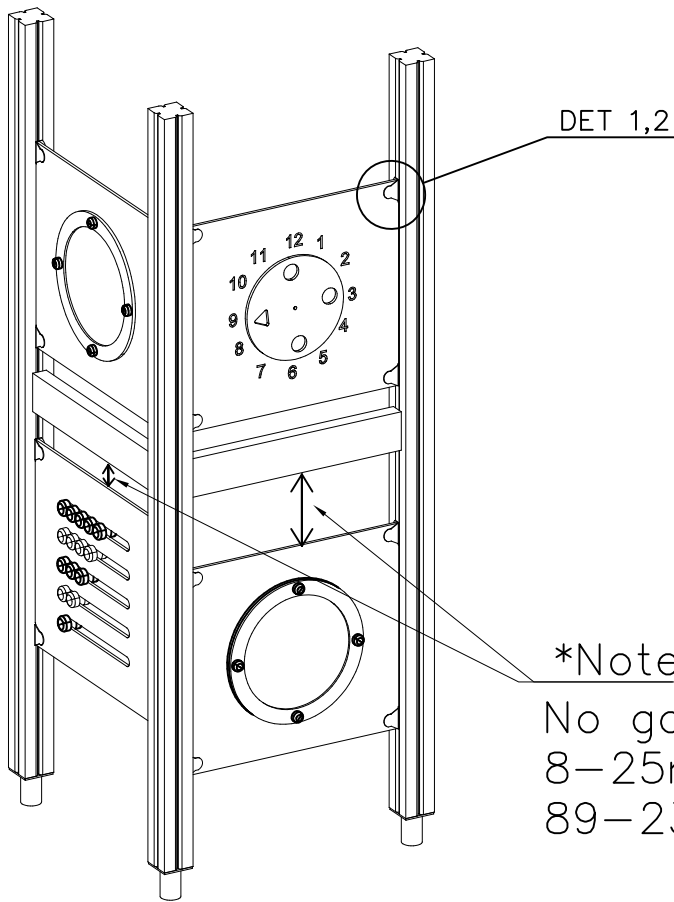
- Avant de coller l'étiquette, nettoyez le composant métallique peint ou la plaque de contreplaqué, de toute saleté. La surface doit être sèche (voir image 2).
- Attention, ne pas coller l'étiquette sur une surface lamellé-collée irrégulière ou sur du bois peint.

**Die Auslieferung des Produktaufklebers erfolgt auf eine dieser Arten:****1) Produkt-Schild aus Metall incl. Schrauben**

- Die Befestigung des Schildes erfolgt mittels der Schrauben.

**2) Aufkleber**

- Entfernen Sie zunächst Schmutz und Feuchtigkeit vom lackierten Metall bzw. von der Holzoberfläche und bringen Sie den Aufkleber wie im Bild oben rechts beschrieben auf den gesäuberten Untergrund auf.
- Beachten Sie: Bringen Sie den Aufkleber nicht auf raues laminiertes oder lackiertes Holz an.



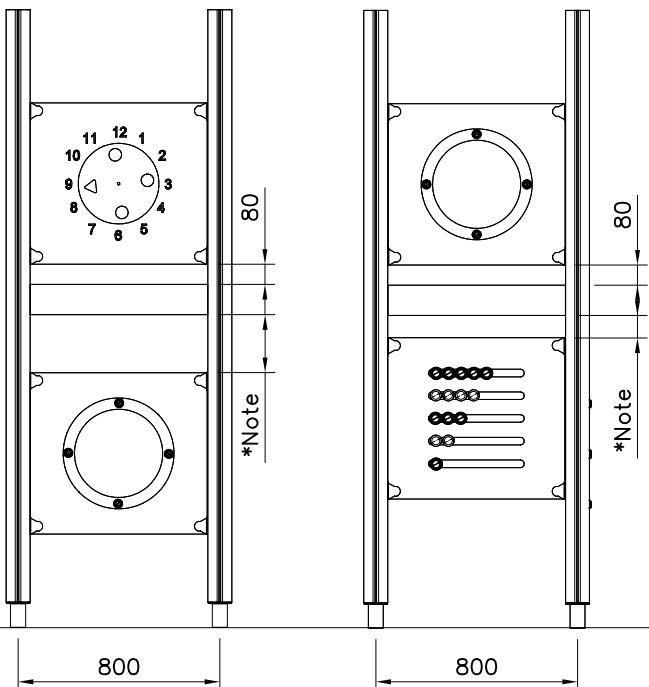
① 903176	PCS	② 909850	PCS
	4		4
		M8x25	
③ 909256	PCS	④ 909633	PCS
	8		4
Ø16/8.4x1.6		M8	
⑤ 980123	PCS		PCS
	4		
Ø7x60			

\*Note:

No gaps between:  
8–25mm  
89–230mm

### COLOR OPTIONS

- 701 BLUE
- 702 YELLOW
- 703 LIME
- 704 DARK GRAY
- 705 LIGHT GRAY
- 706 RED
- 707 GREEN
- 708 FUXIA



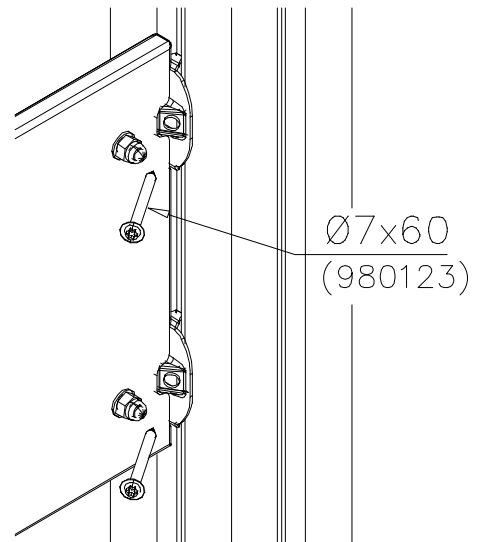
GAME WALL OPTIONS

706766	706772	706308	707453
			
640x702	640x702	640x702	640x702
707209	705705	707433	707386
			
640x702	640x702	640x702	640x702
709403	709358	709405	
			
640x702	640x702	420x702	

DET 1



DET 2



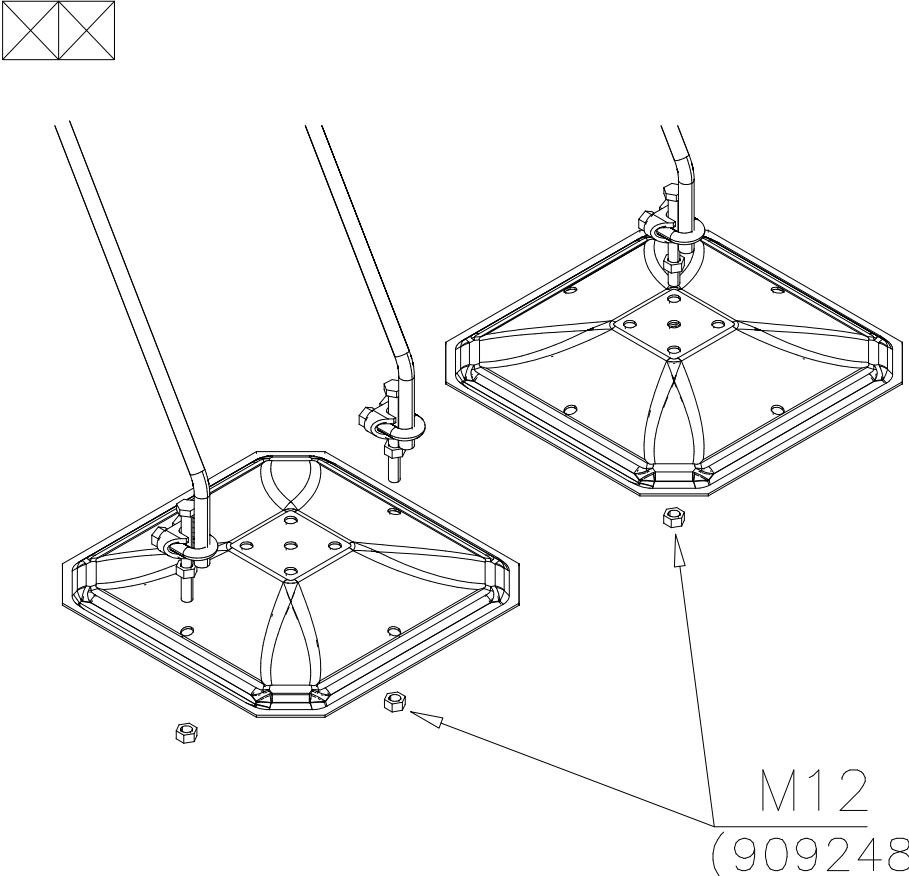



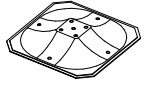
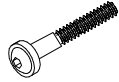


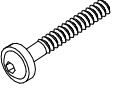
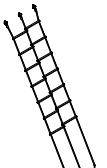
# LAPPSET® DEEP FOUNDATION

# ROPE LADDER

DATE: 19.1.2017

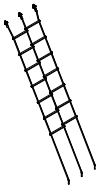
1(3)



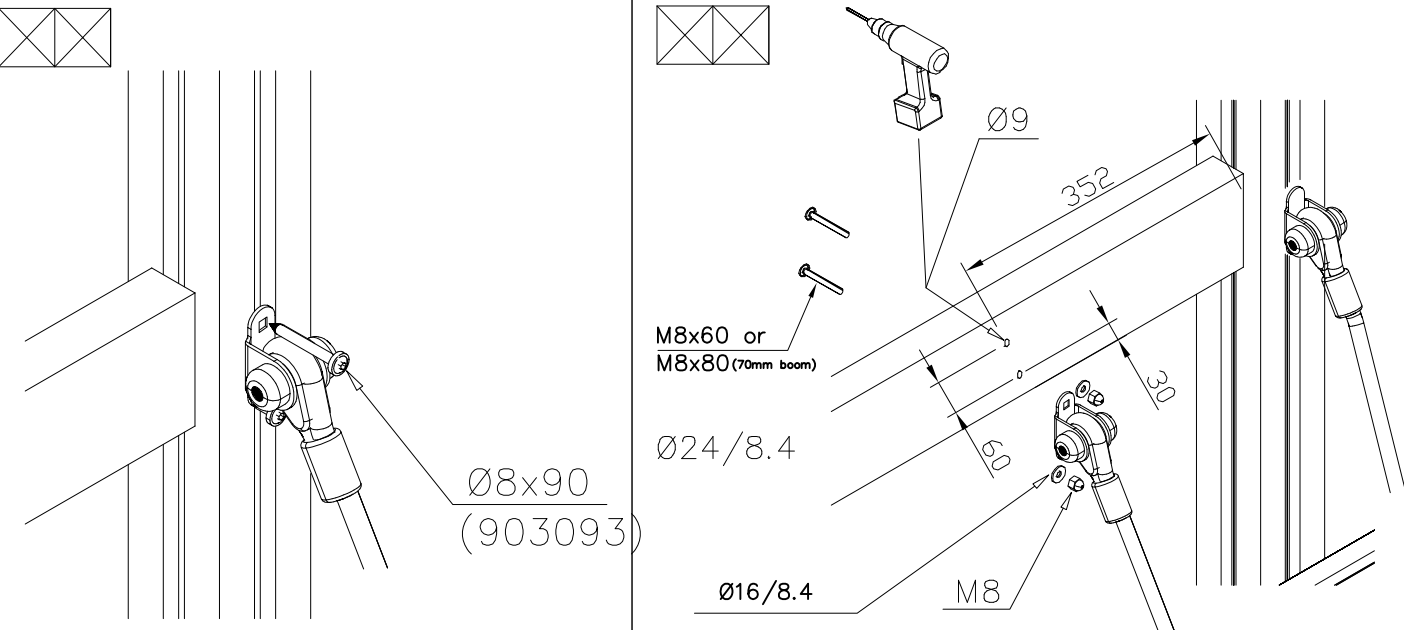
① 909256	PCS	② 909519	PCS
	2		2
Ø16/8.4x1.6		50x380x380	
③ 909866	PCS	④ 909633	PCS
	2		2
M8x60		M8	
⑤ 903093	PCS	⑤ 901104	PCS
	4		2
Ø8x90		M8x80	
	PCS	○ 707395	PCS
			1
		+2570	

M12  
(909248)

## ROPE LADDER COLOR OPTIONS



xxxxxx-301	BLUE
xxxxxx-302	RED
xxxxxx-303	BEIGE
xxxxxx-304	GRAY
xxxxxx-305	BLACK
xxxxxx-306	YELLOW



Ø8x90  
(903093)

M8x60 or  
M8x80 (70mm boom)

Ø24/8.4

Ø16/8.4

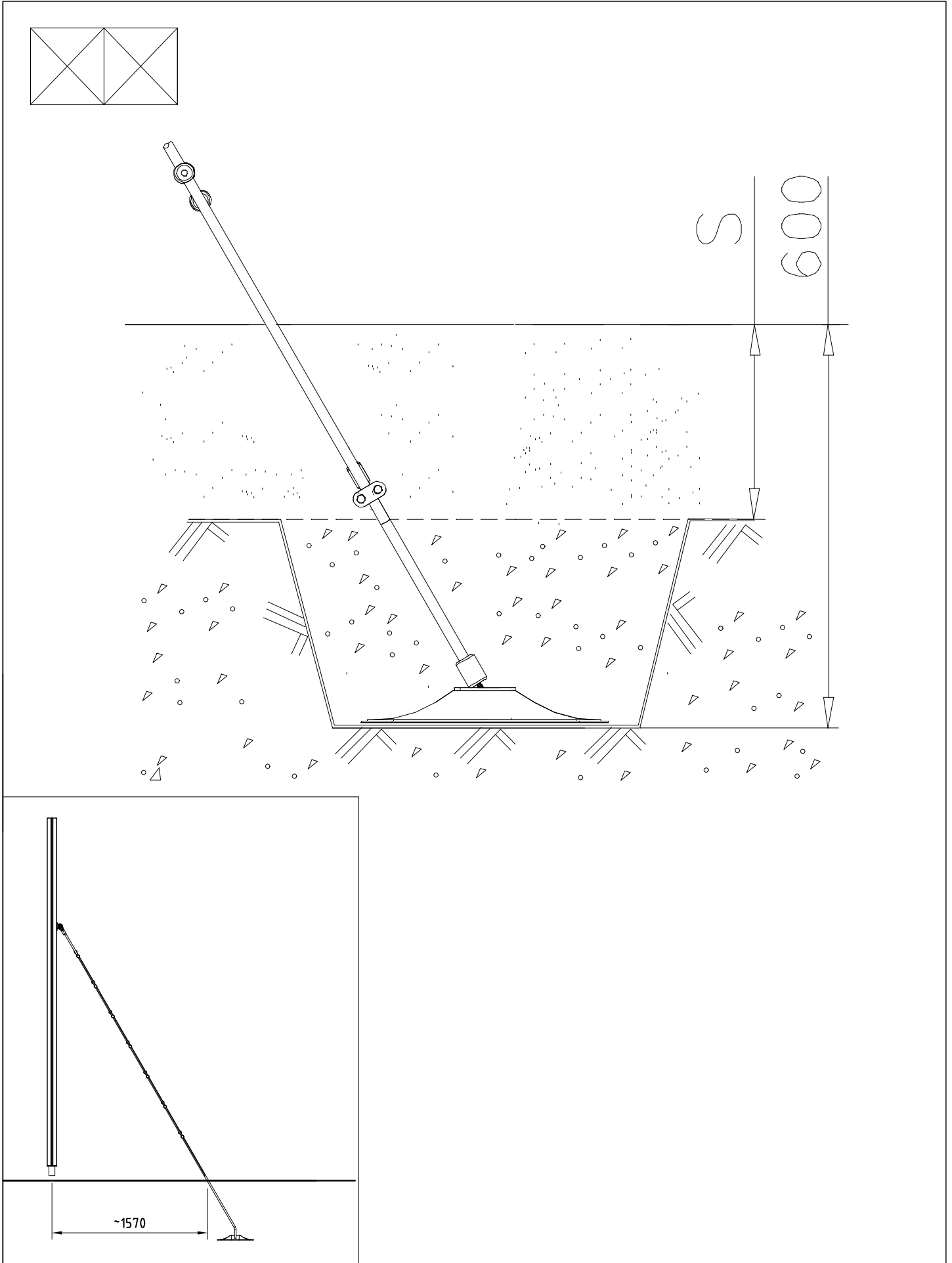
M8

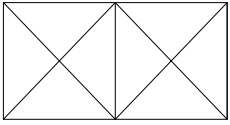
Ø9

352

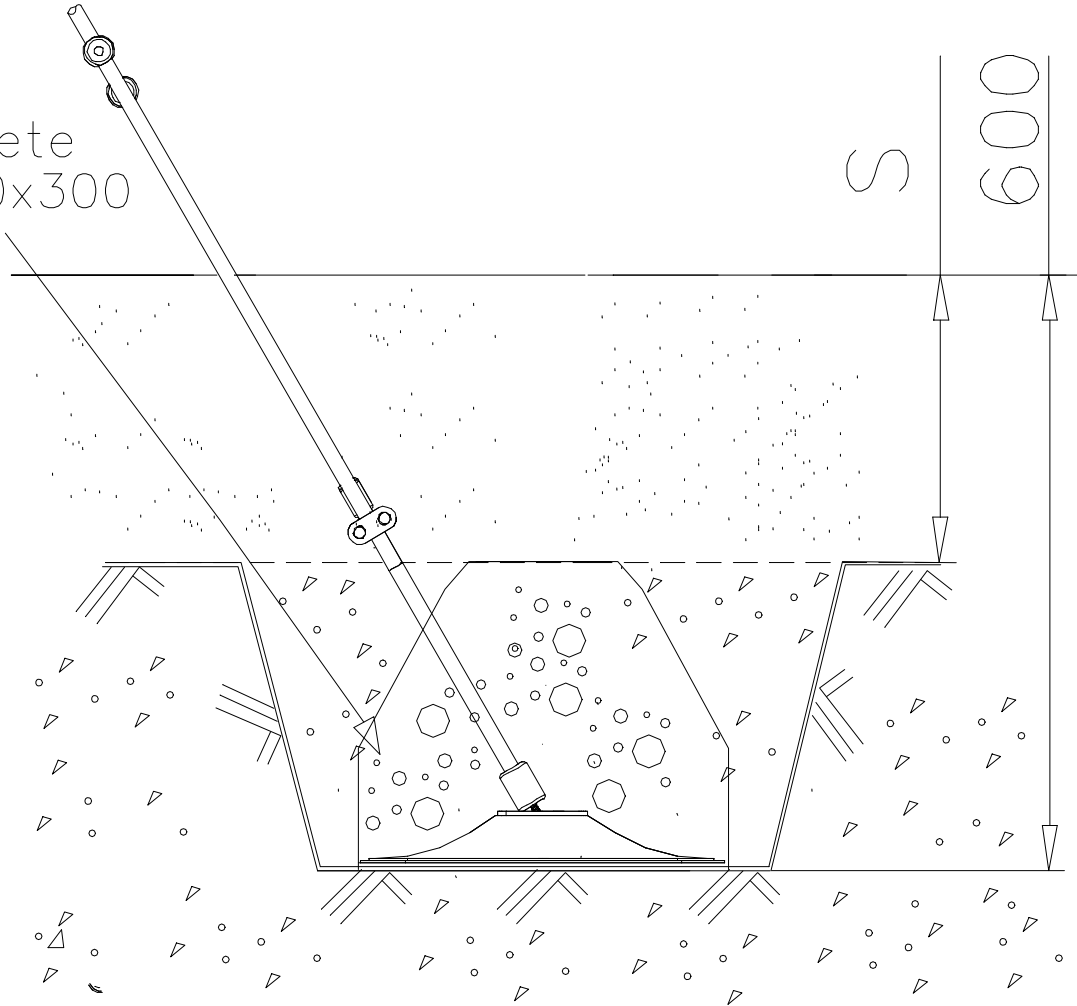
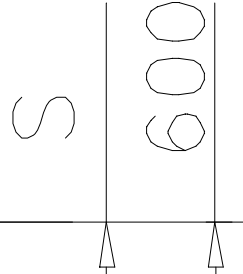
30

50

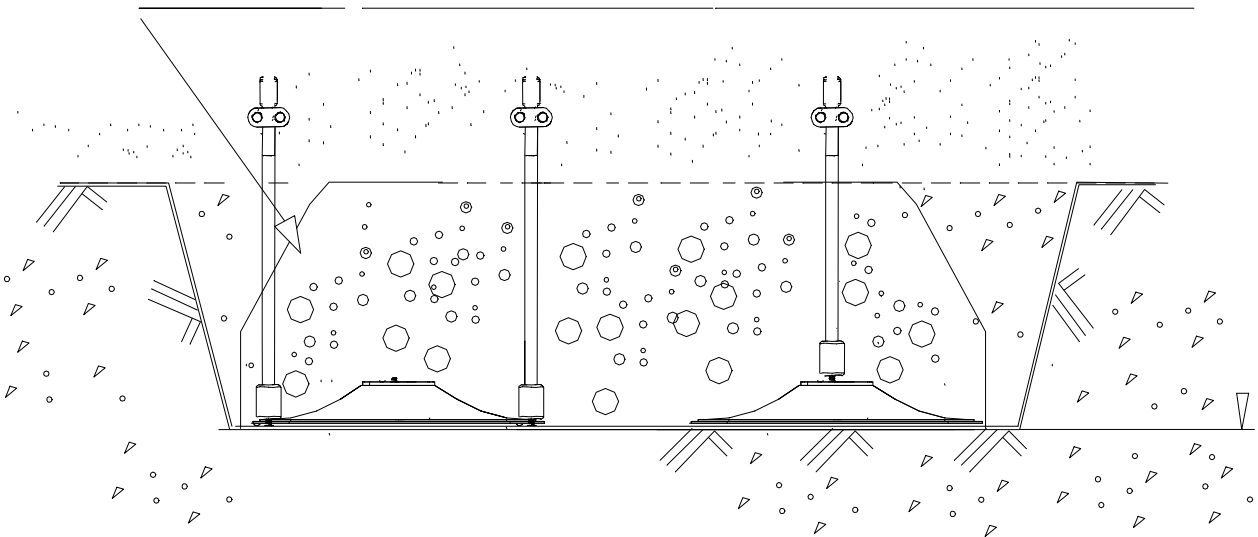


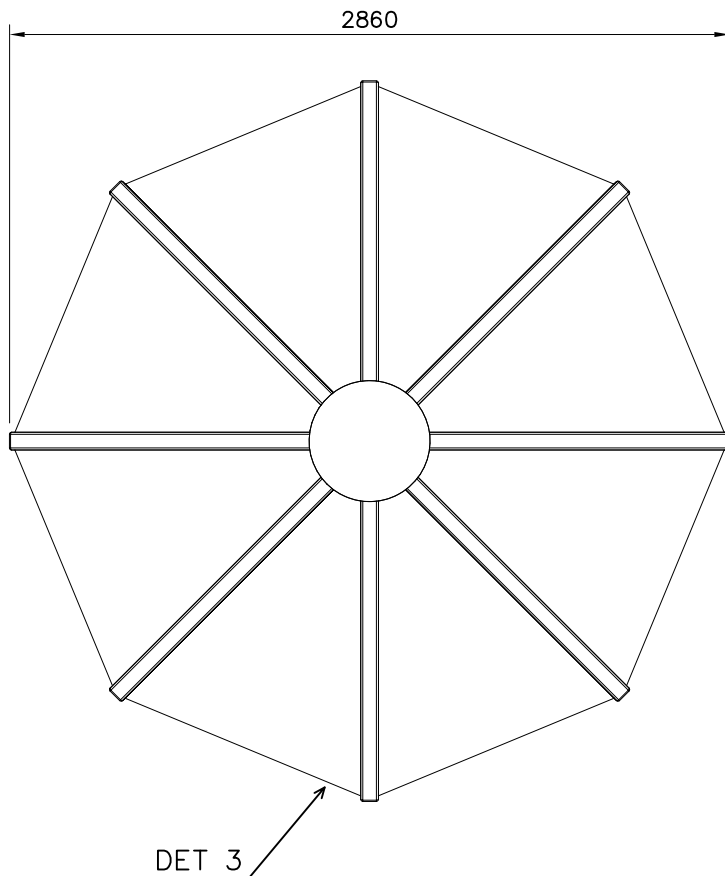
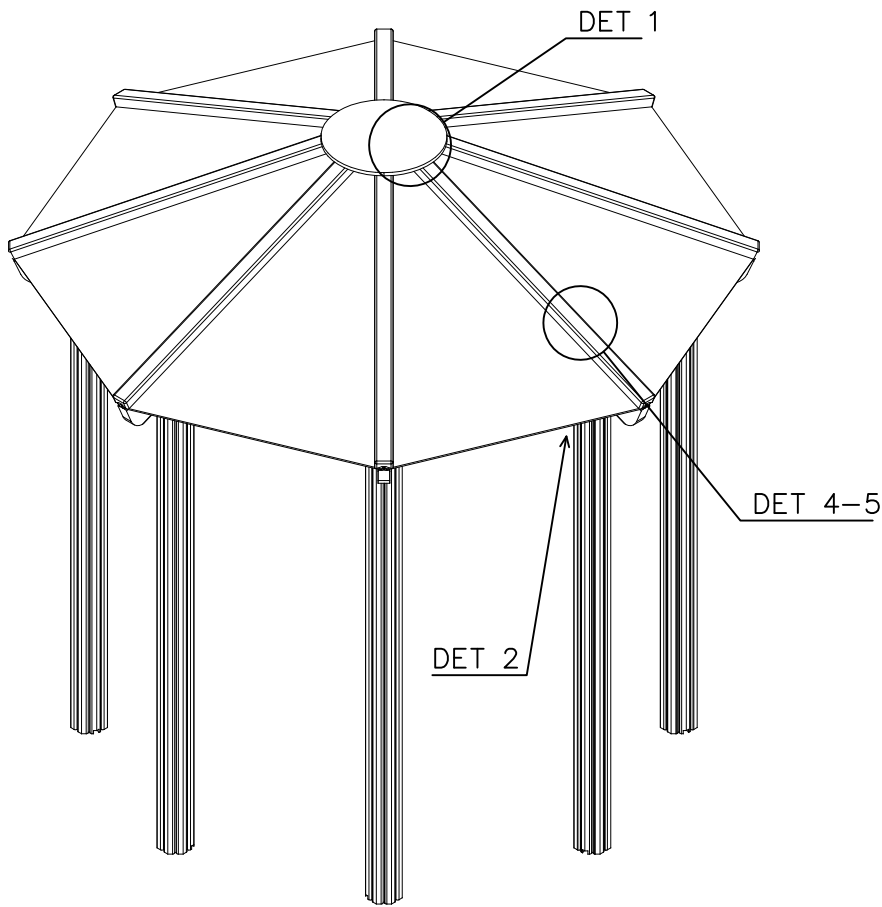





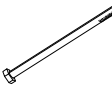




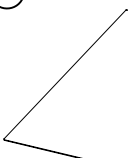
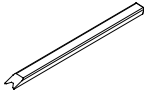



Concrete  
1000x500x300



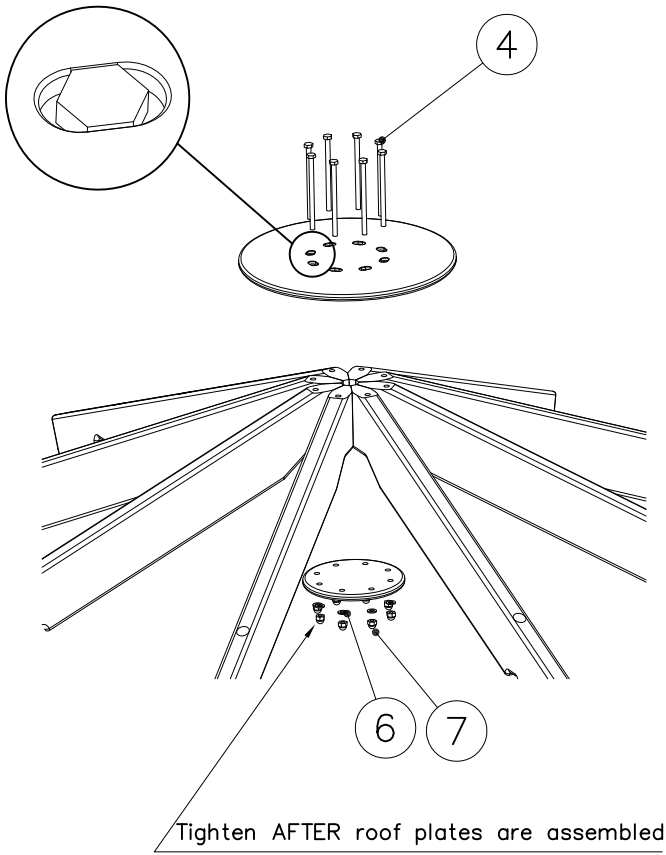
Concr de  
1000x500x300



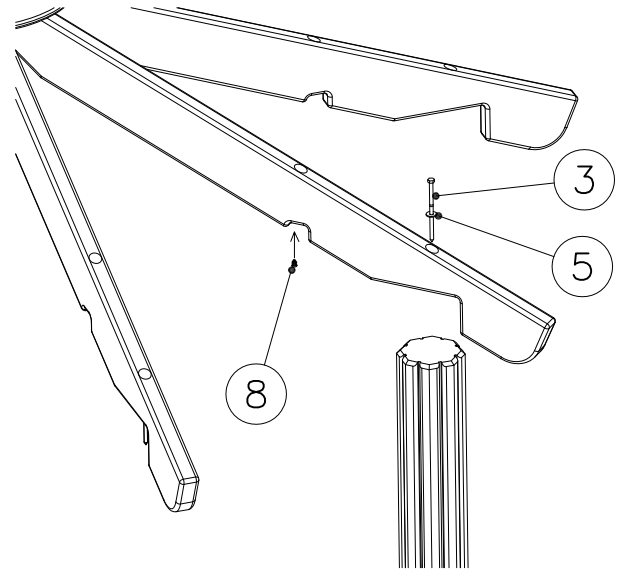


①	980100	PCS	②	980104	PCS
		48			32
					
	Ø5x60			Ø5x90	
③	909230	PCS	④	900208	PCS
		8			8
					
	8x150			M10x170	
⑤	905051	PCS	⑥	901302	PCS
		8			8
					
	Ø24/8.4			Ø20/10.5	
⑦	900965	PCS	⑧	903533	PCS
		8			8
					
	M10			SRL12 TO Ø9	
		PCS			PCS
○	707667	PCS	○	707688	PCS
		8			8
					
	10x1295x1075			45x70x1385	
○	707689	PCS	○	707691	PCS
		8			1
					
	45x145x1495			15xØ480	
○	707692	PCS			PCS
		1			
					
	15xØ225				

DET 1

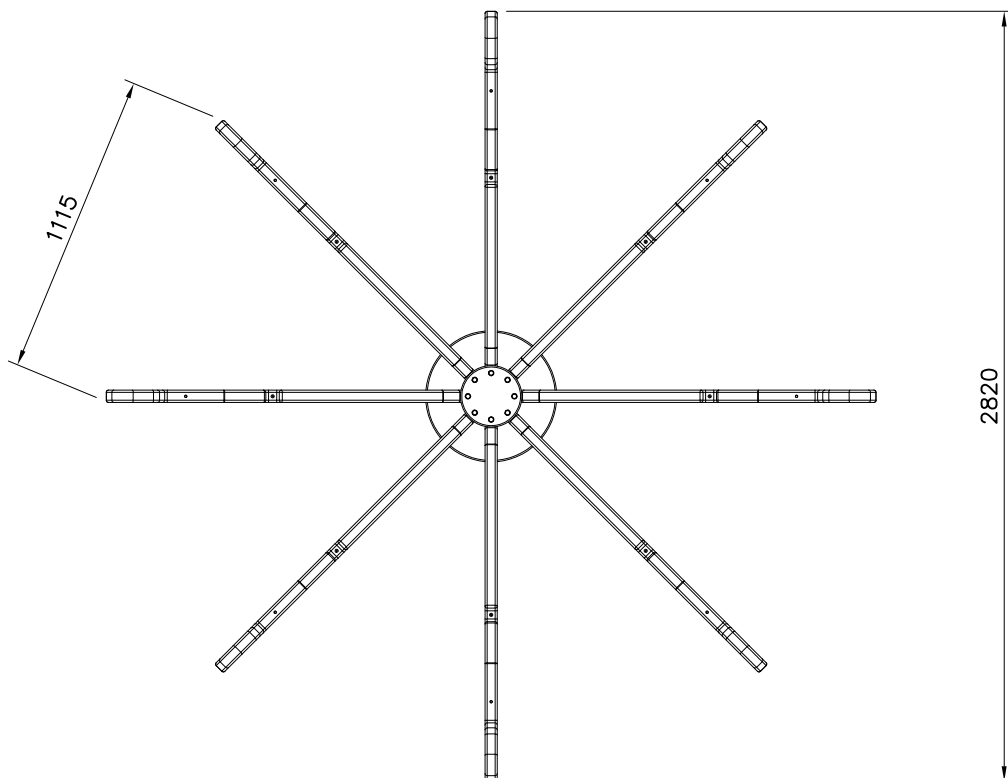


DET 2

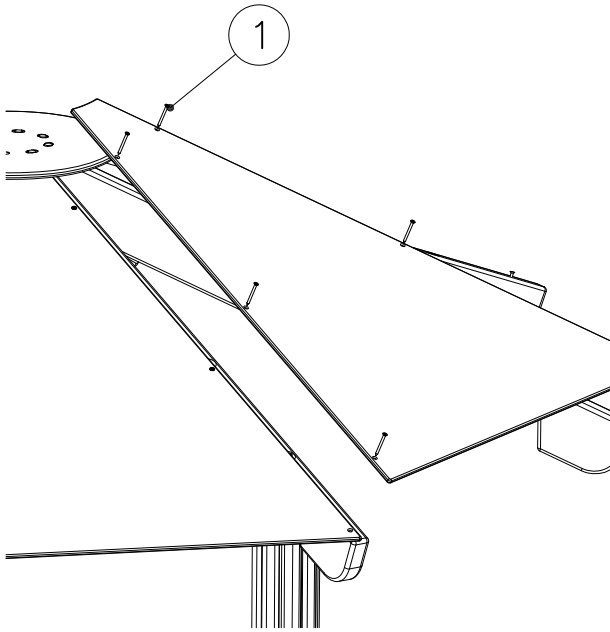


DET 3

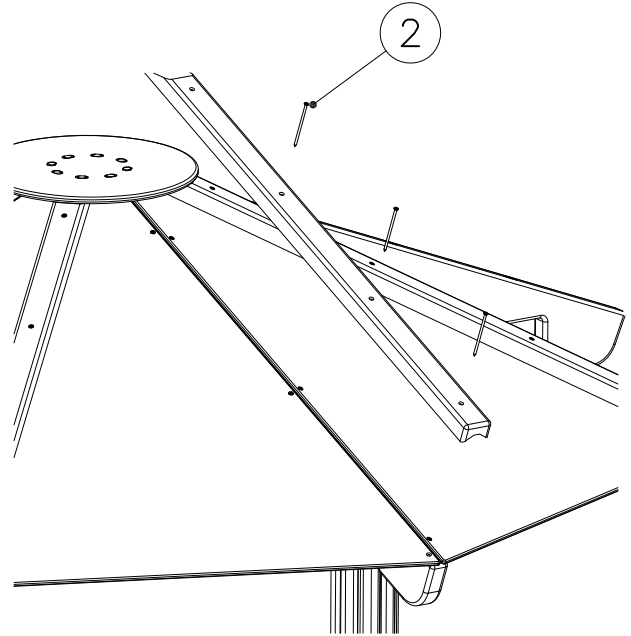
Check measures




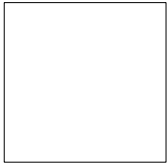
DET 4



DET 5

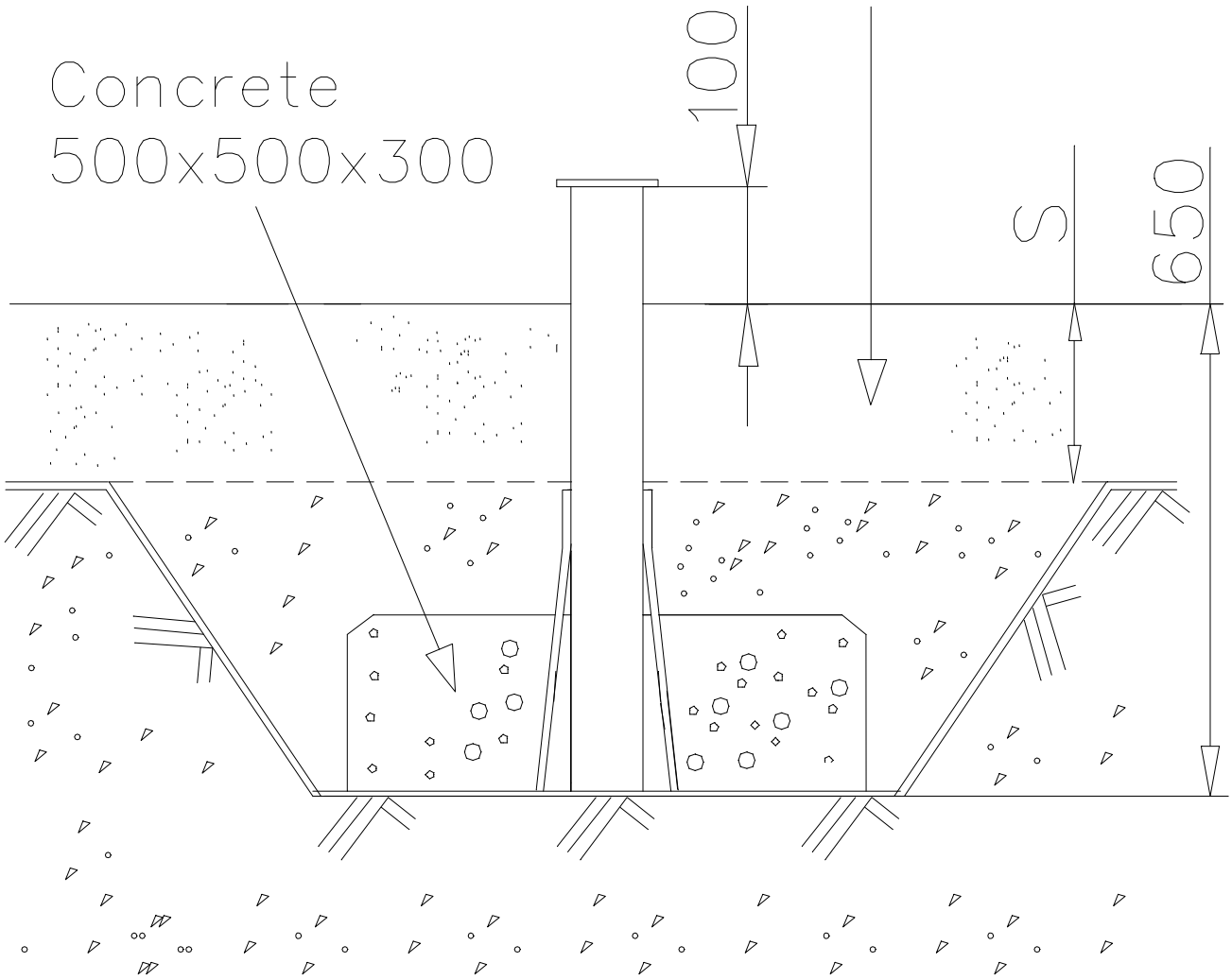


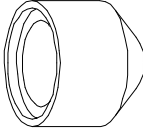
○ 903112	PCS		PCS
	1		
L 750			

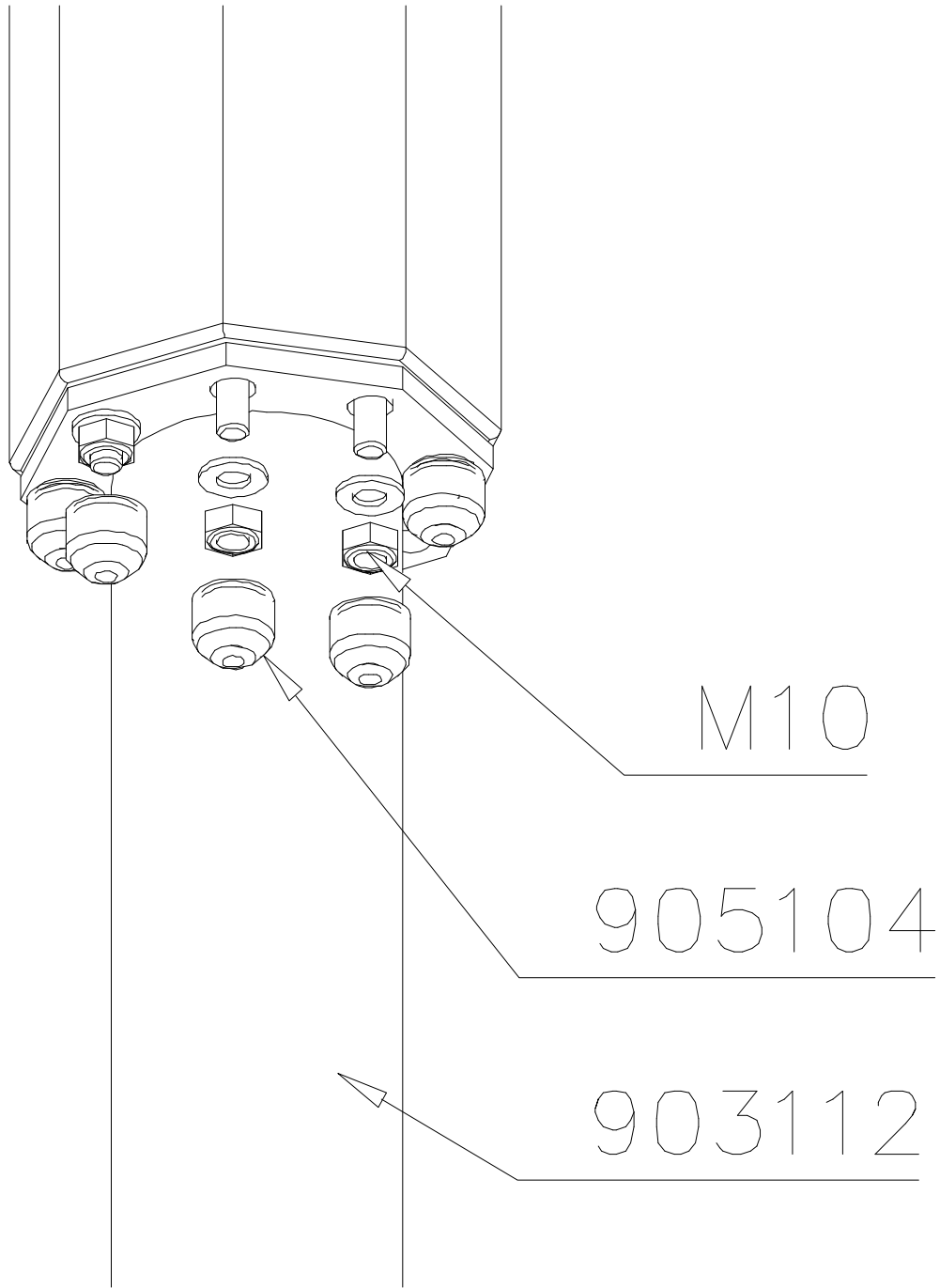


Sand 0.2–2 mm /  
 Gravel 2–8 mm

Concrete  
 500x500x300



① 905104	PCS		PCS
	8		
M10			



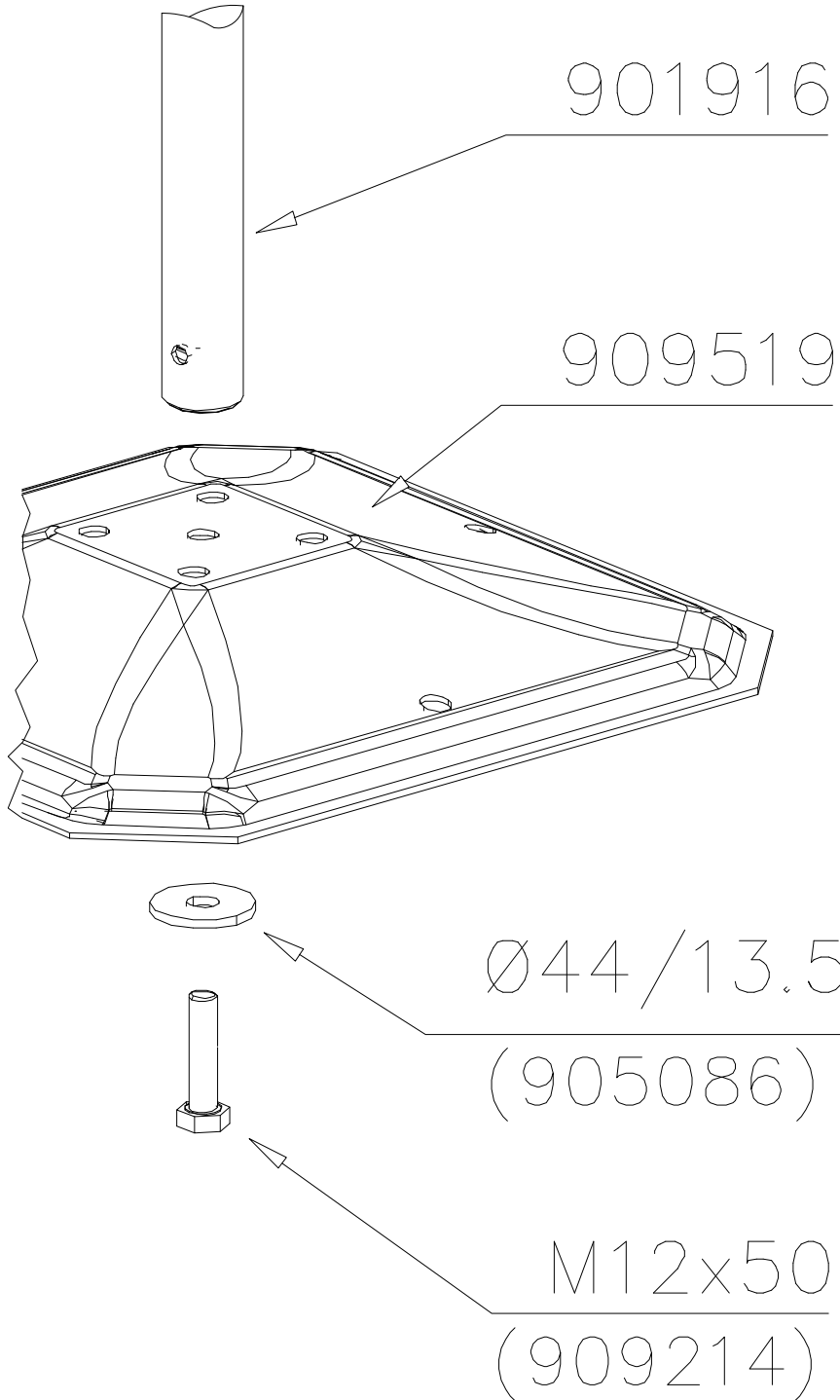
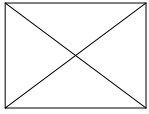


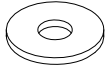
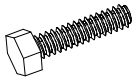
# LAPPSET® DEEP FOUNDATION

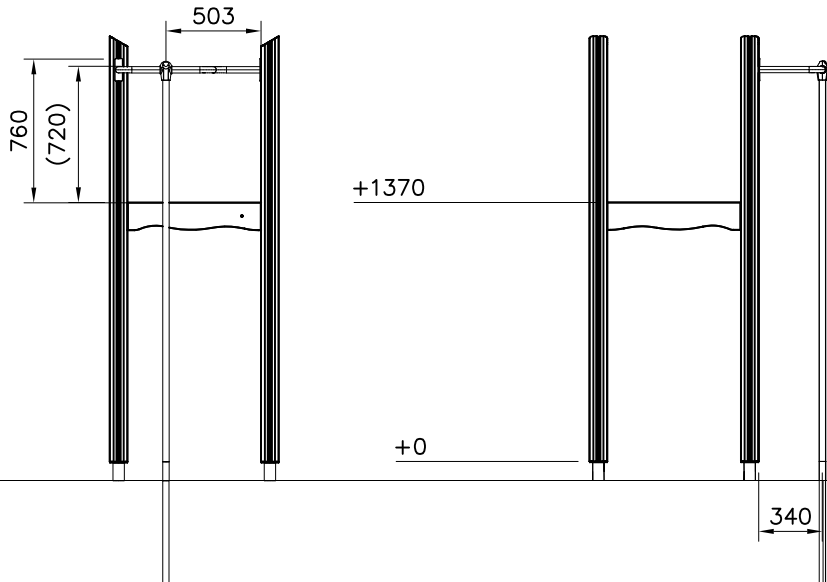
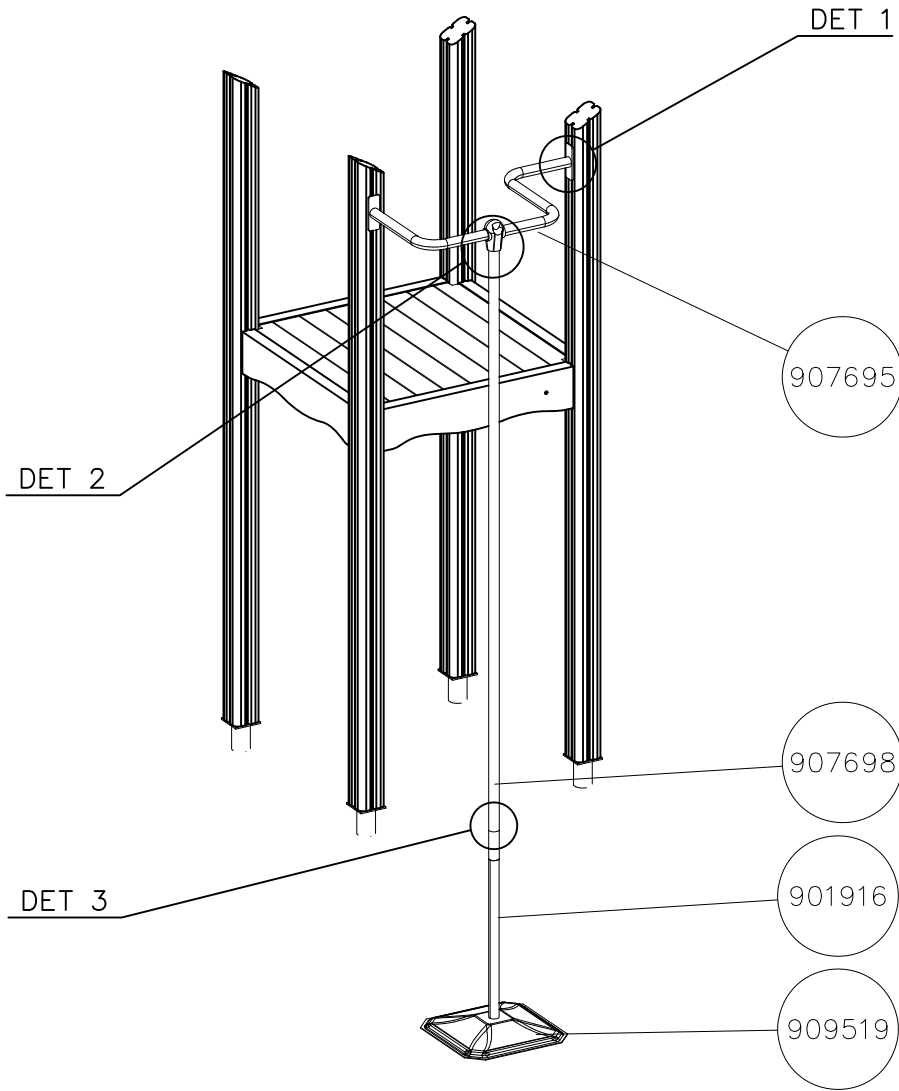
# POLE

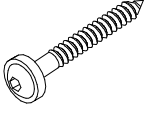
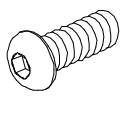


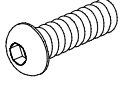
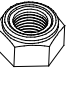
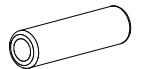


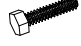

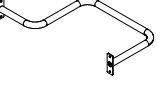


DATE: 15.5.2014

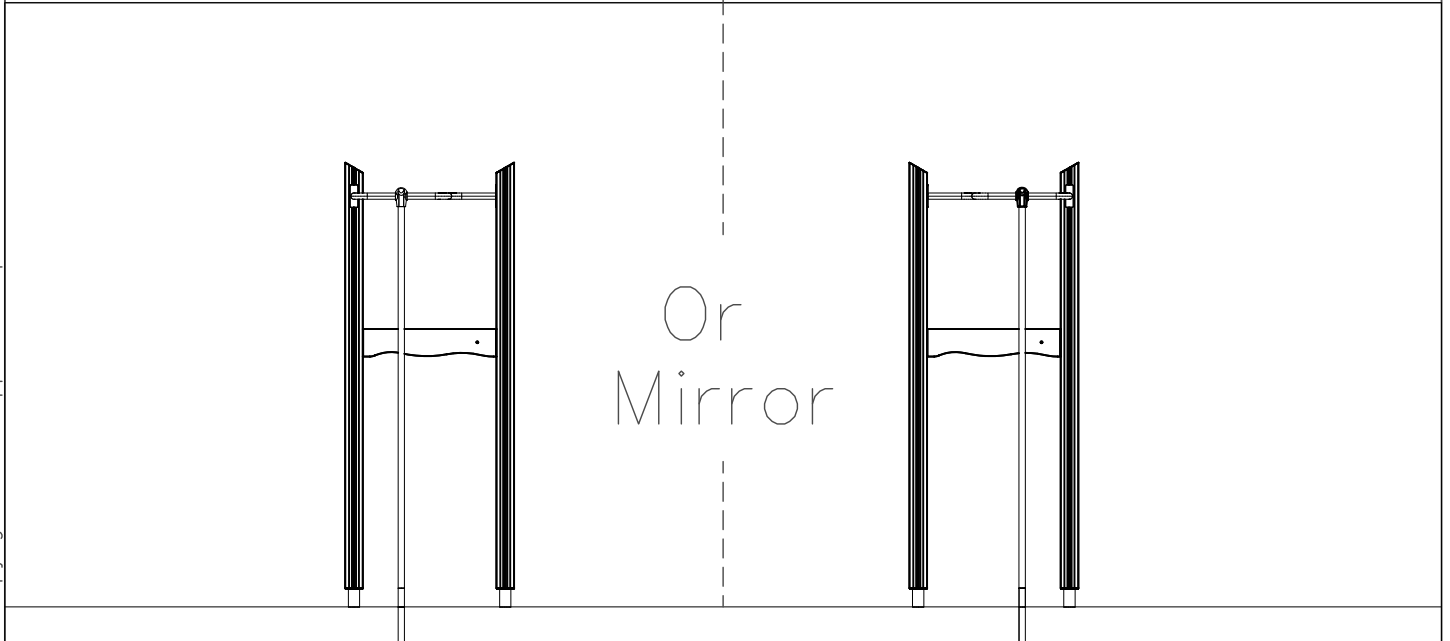
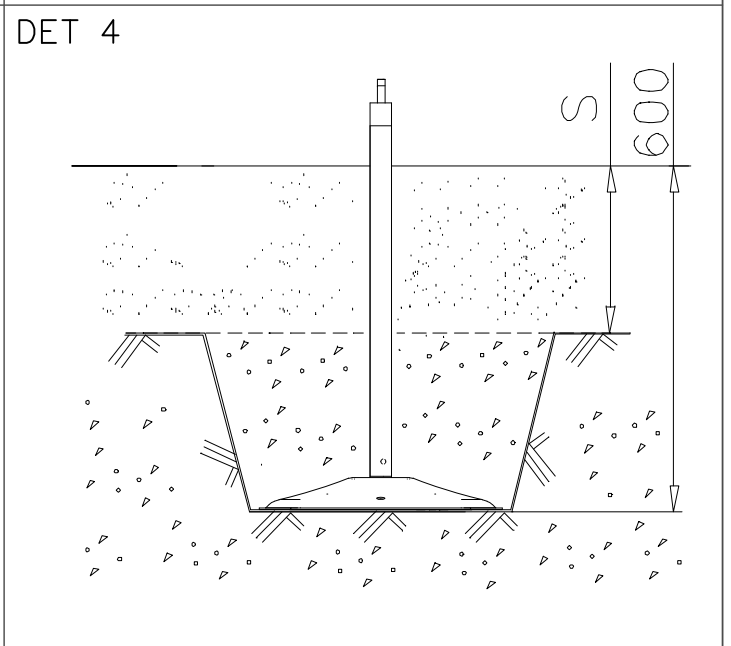
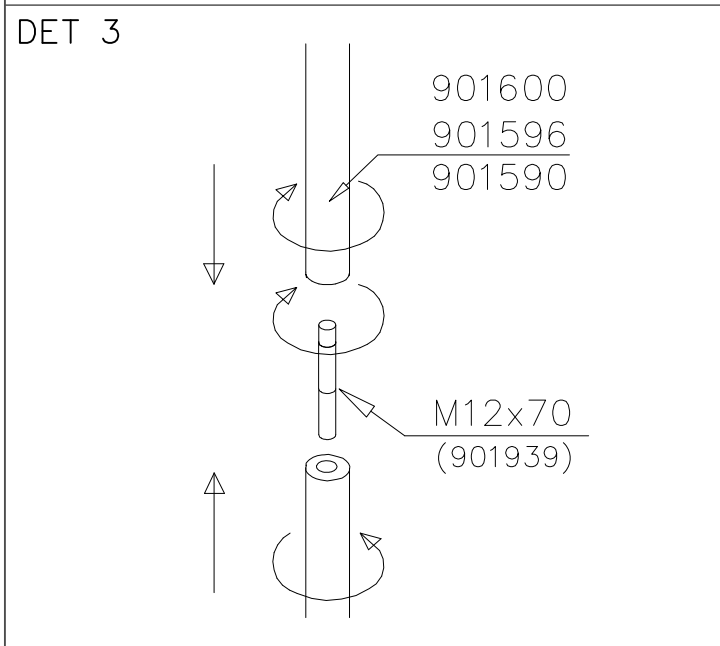
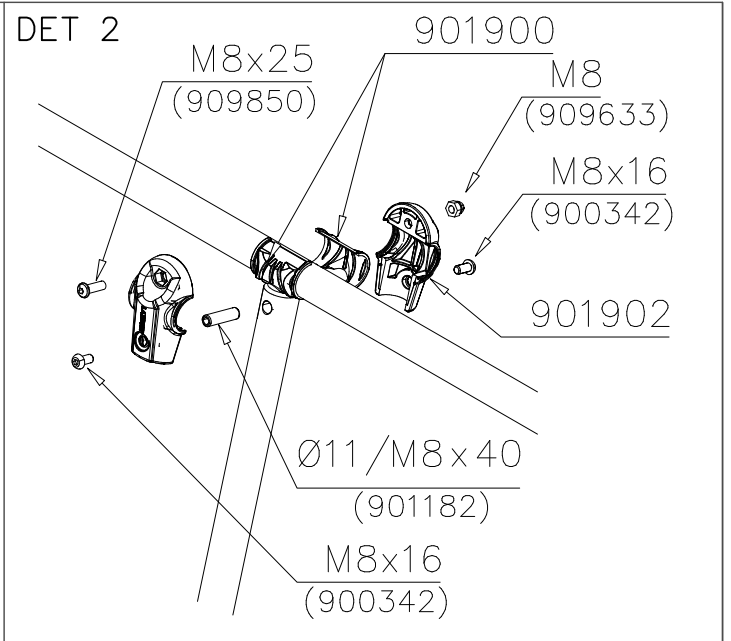
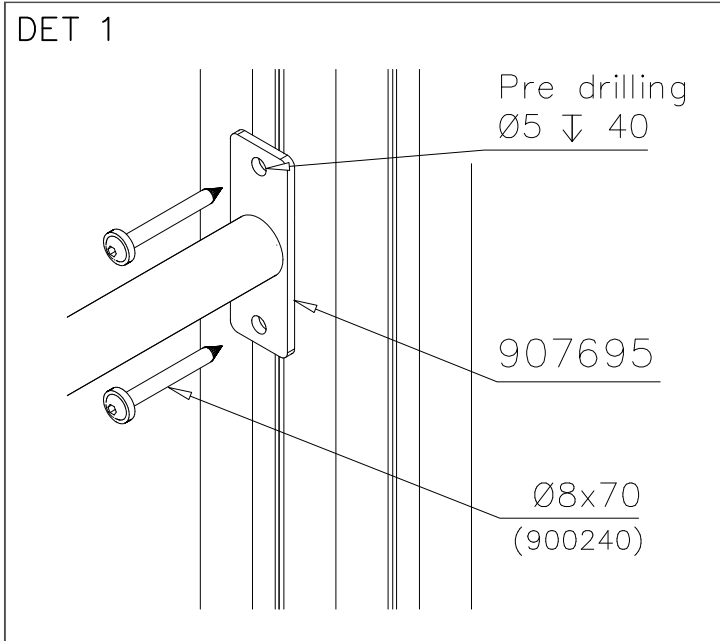
**1(1)**

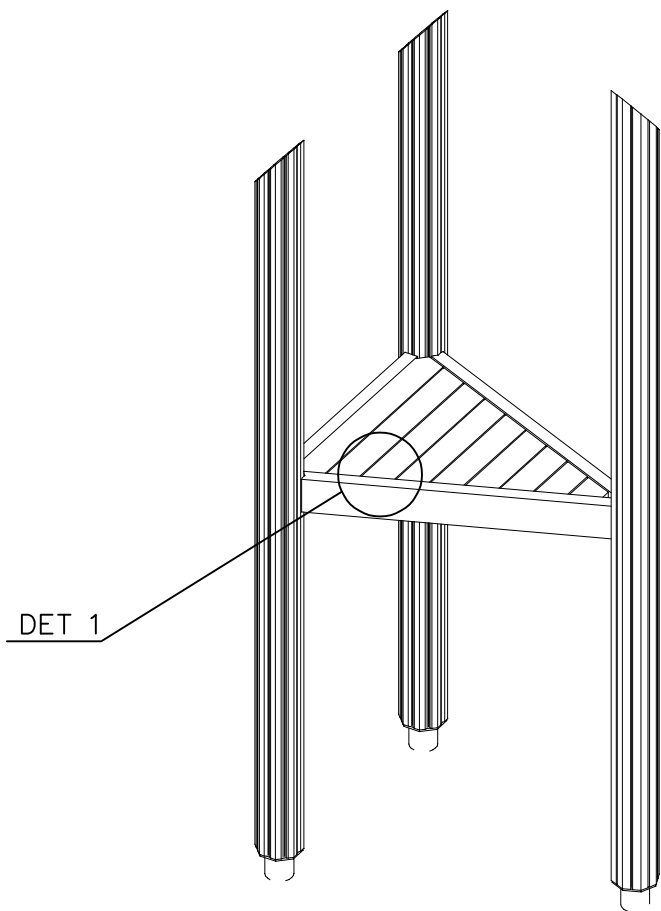



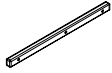
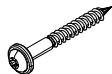


①	905086	PCS	②	909214	PCS
		1			1
	Ø44/13.5		M12x50		
		PCS			PCS
		PCS			PCS
		PCS			PCS
		PCS			PCS
		PCS			PCS
		PCS			PCS
		PCS			PCS

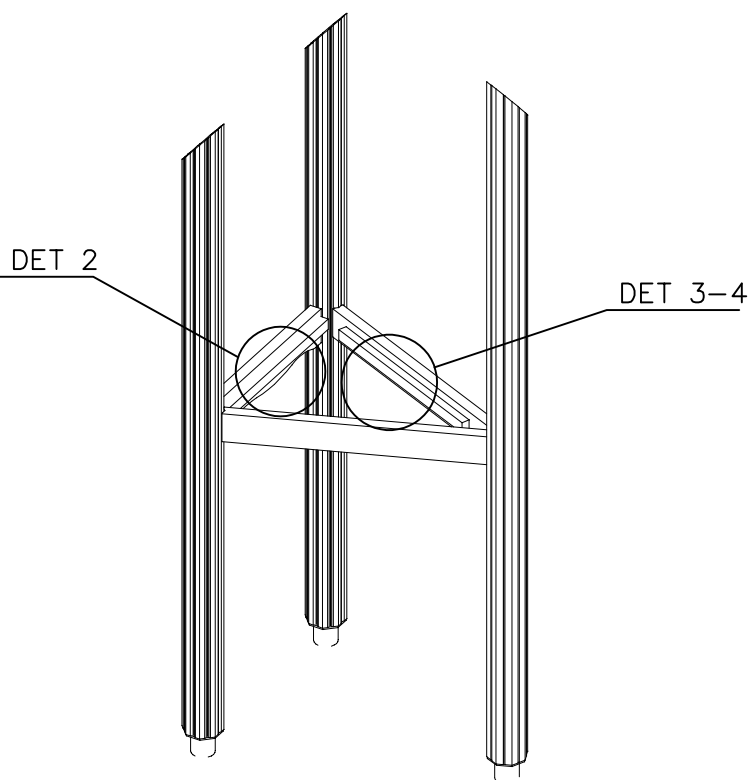


① 900240	PCS	② 900342	PCS
	4		2
Ø8x70		M8x16	
③ 901900	PCS	④ 901939	PCS
	2		1
20.5x36.2x56		M12x70	
⑤ 909850	PCS	⑥ 980150	PCS
	1		1
M8x25		M8	
⑦ 901182	PCS	⑧ 901902	PCS
	1		2
Ø11/M8x40		30.7x60.9x100	
⑨ 905086	PCS	⑩ 909214	PCS
	1		1
Ø44/13.5		M12x50	
⑪ 907698	PCS	⑫ 907695	PCS
	1		1
Ø33.7x2054			
⑬ 901916	PCS	⑭ 909519	PCS
	1		1
Ø33.7x650	13	50x380x380	
	PCS		PCS

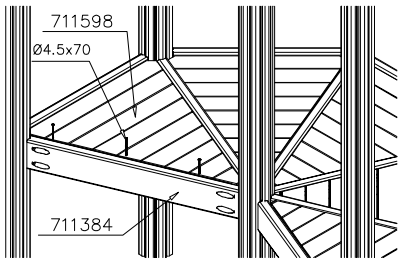




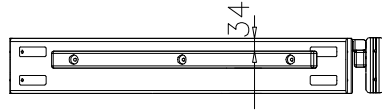
① 711597	PCS	② 706443	PCS
	1		1
		32x45x702	
③ 900240	PCS	④ 980101	PCS
	9		8
Ø8x70		Ø4.5x70	
⑤ 711437	PCS		PCS
	2		
32x45x750			
	PCS		PCS



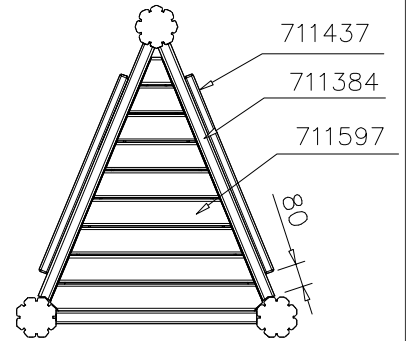
DET 1



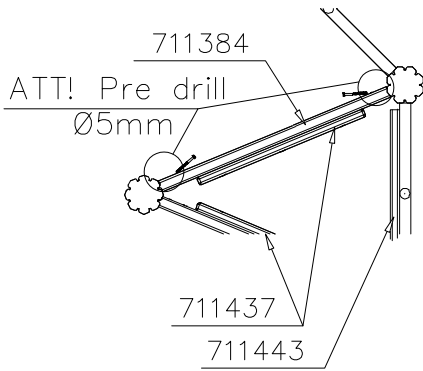
DET 2



DET 3



DET 4

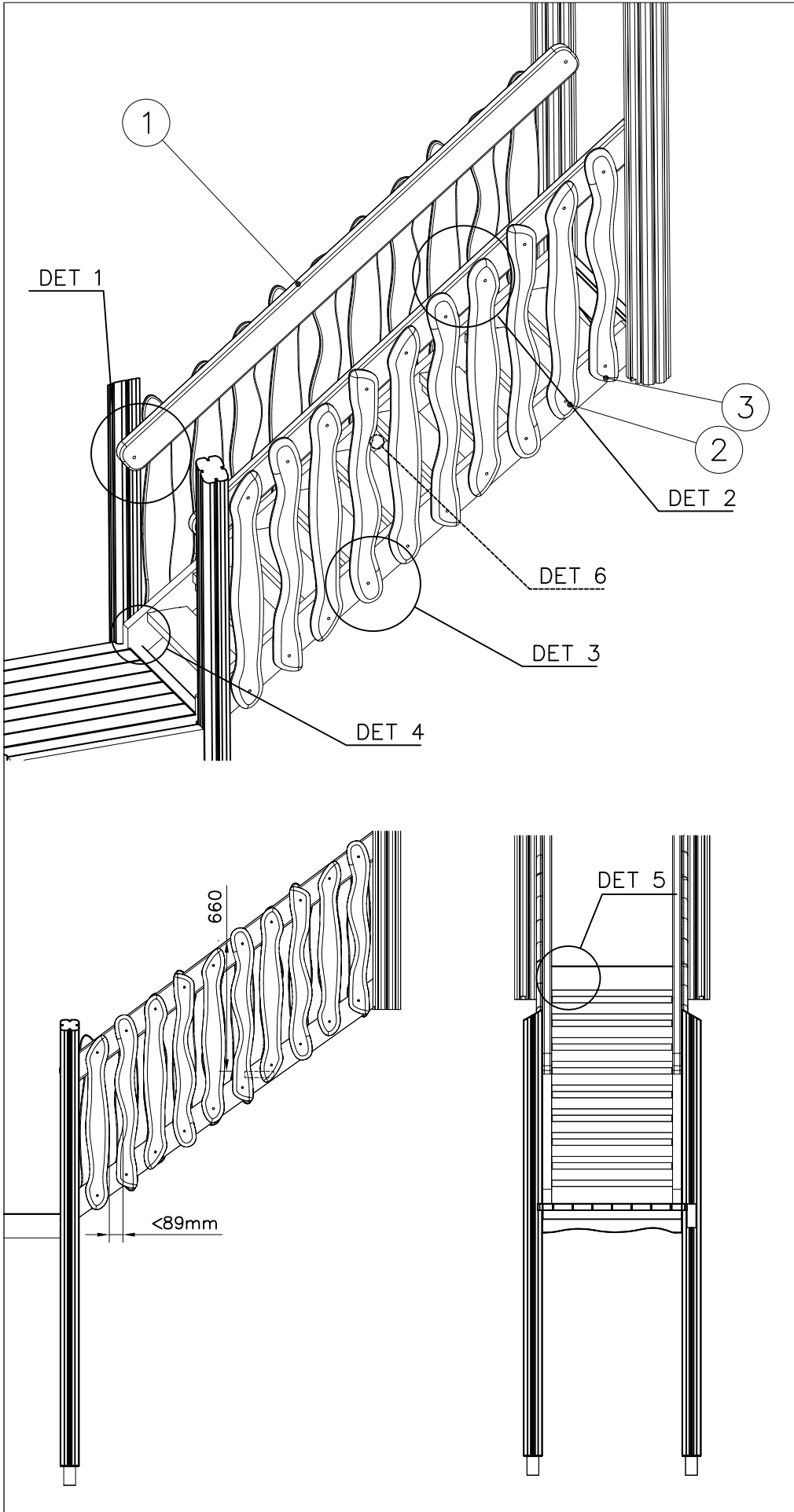


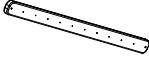








# LAPPSET® FLORA

# 711640

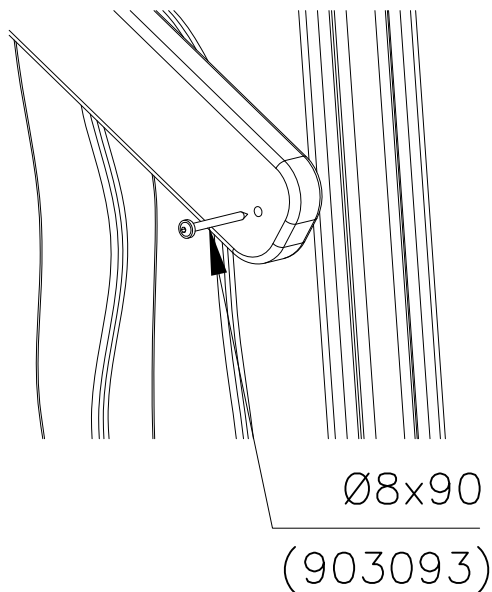
DATE: 30.9.2024

# 1(2)

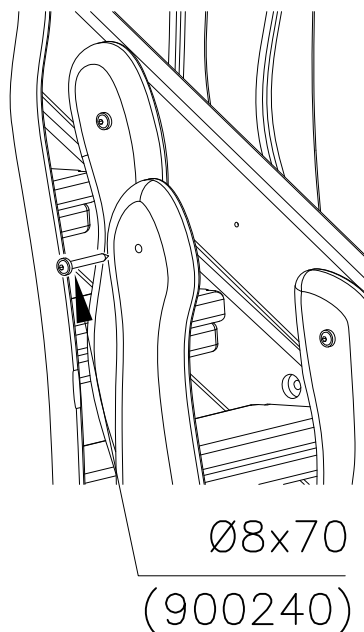


① 711642	PCS	② 705208	PCS
	2		10
45x120x2080		32x120x880	
③ 705209	PCS	④ 900240	PCS
	10		40
32x118x875		Ø8x70	
⑤ 903093	PCS	⑥ 980152	PCS
	6		2
Ø8x90		Ø24/8.4x2	
⑦ 980128	PCS	⑧ 707772	PCS
	3		1
Ø7x40		120x700x2000	
	PCS	⑨ 903533	PCS
			2
		Ø9	
	PCS		PCS
	PCS		PCS
	PCS		PCS

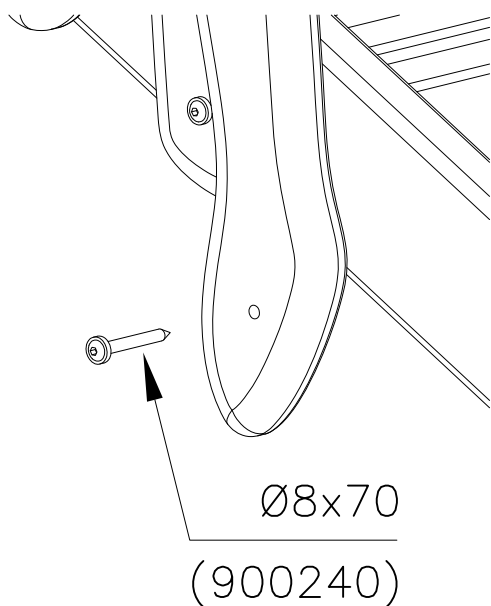
DET 1



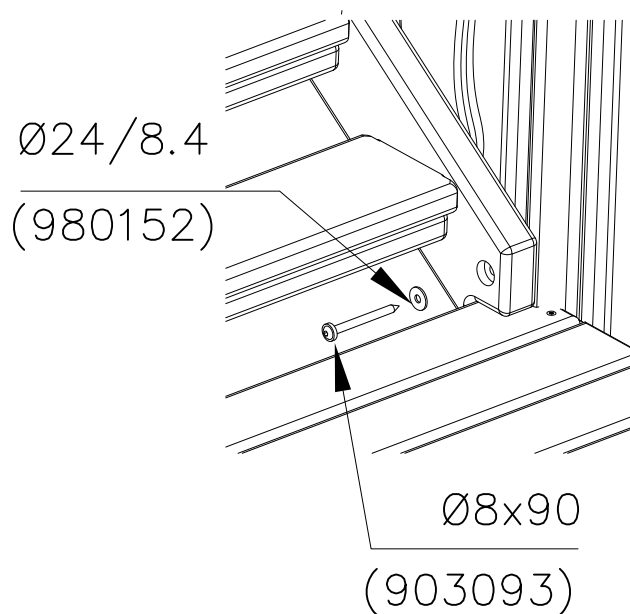
DET 2



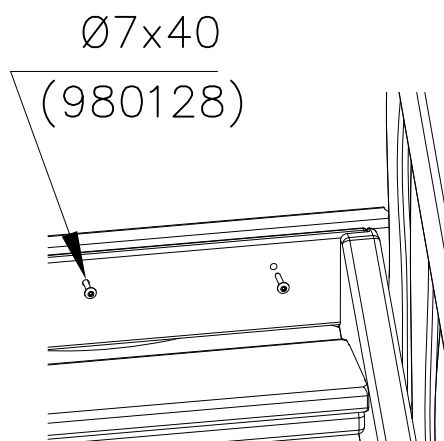
DET 3



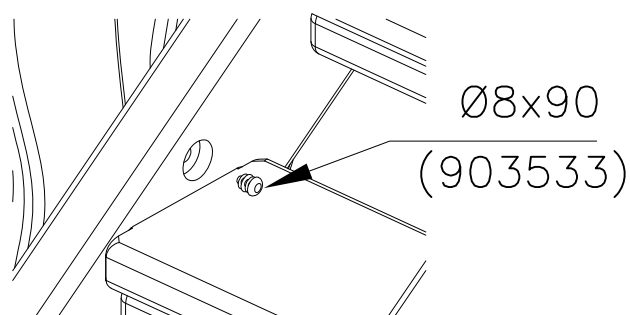
DET 4

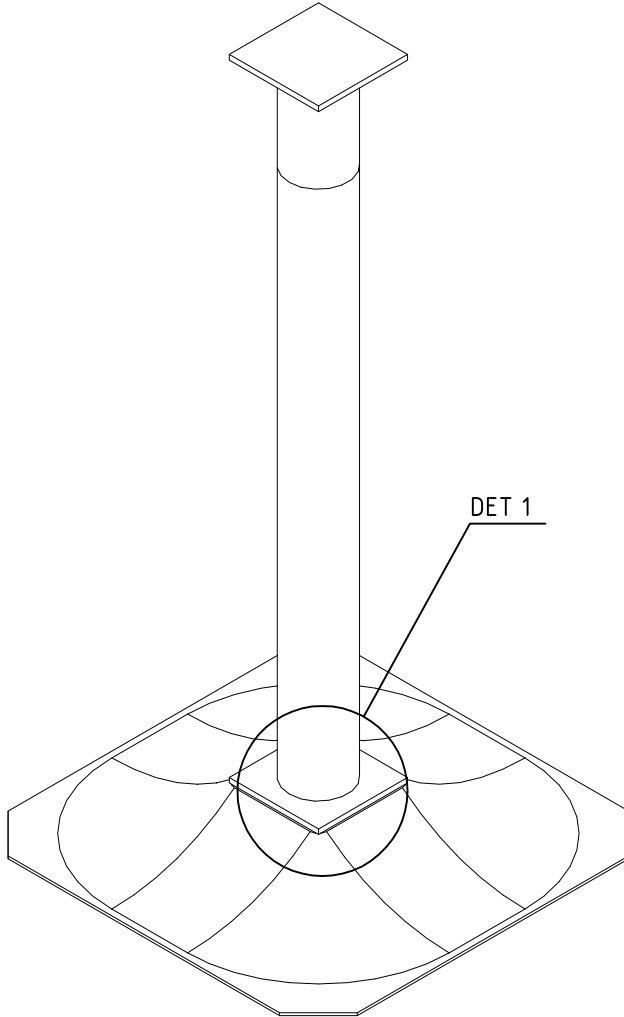



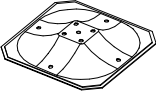


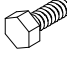
DET 5



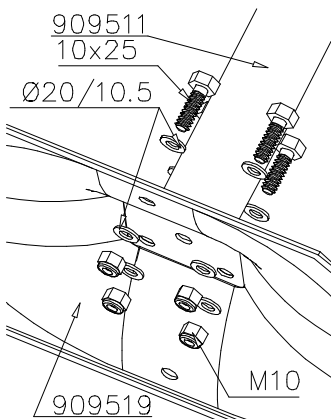
DET 6





①	909511	PCS	②	909519	PCS
		1			1
③	909637	PCS	④	909638	PCS
		4			8
	M10			Ø20/10.5	
⑤	909639	PCS			PCS
		4			
	M10x25				
		PCS			PCS
		PCS			PCS
		PCS			PCS
		PCS			PCS
		PCS			PCS

DET 1







**LAPPSET®**  
**BETON FOUNDATION**

**FOOT**

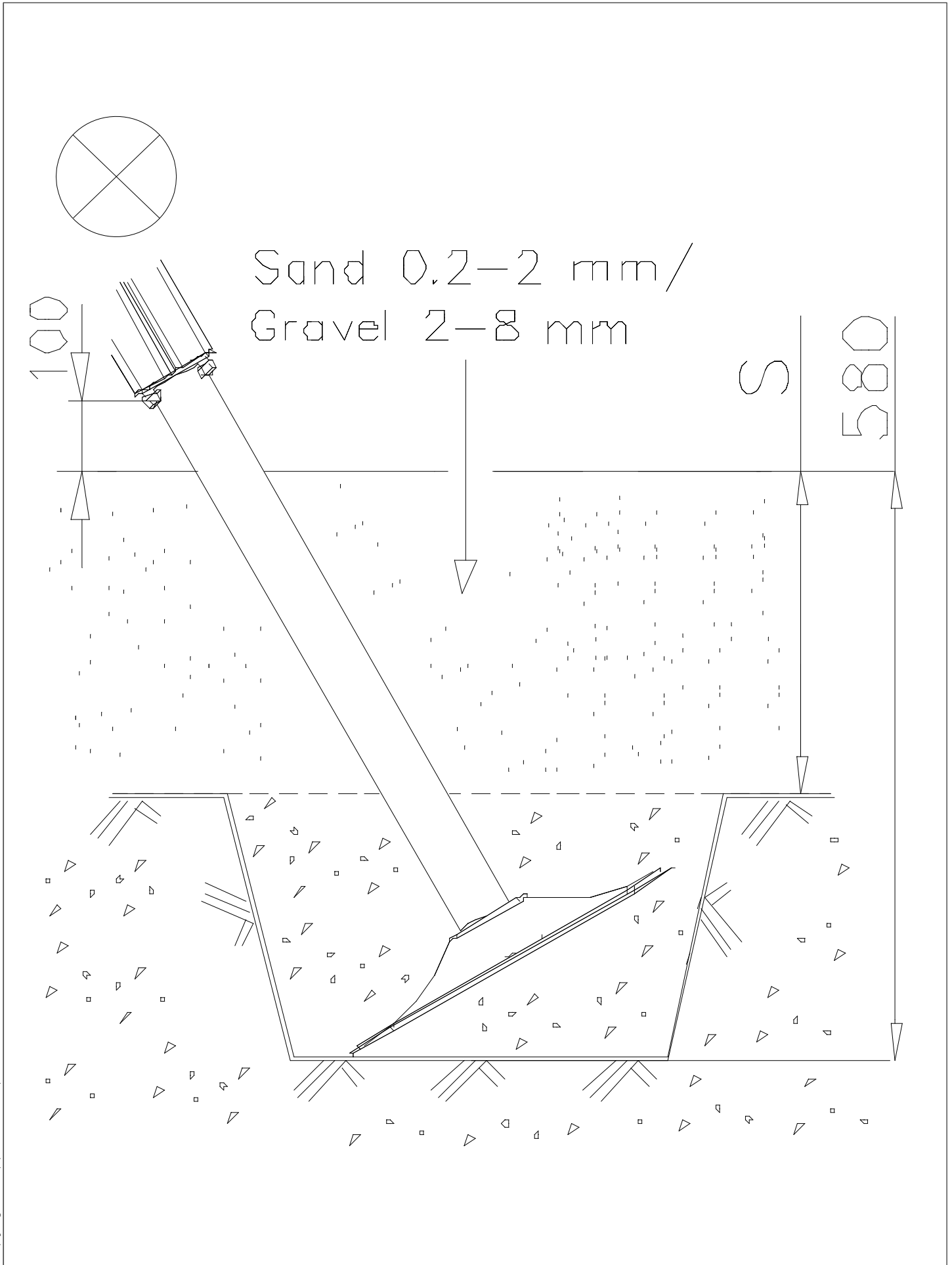
DATE: 27.10.2015

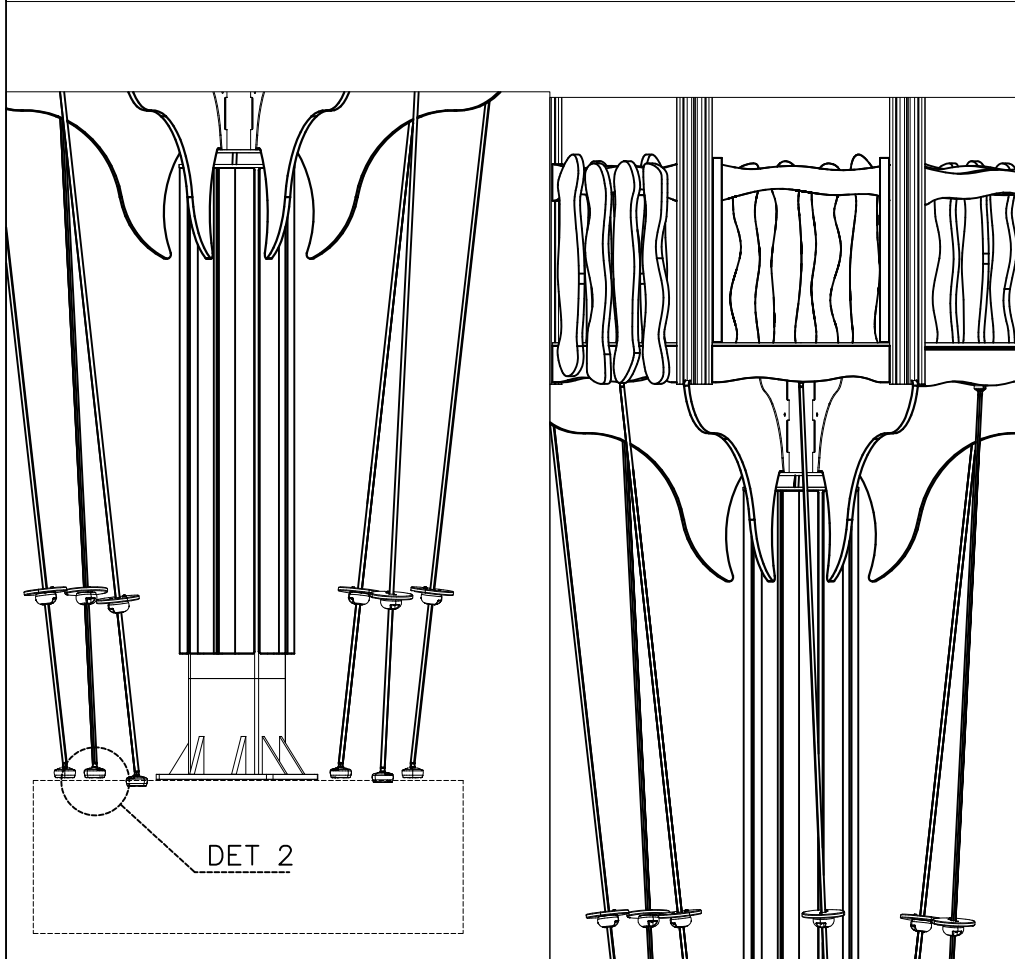
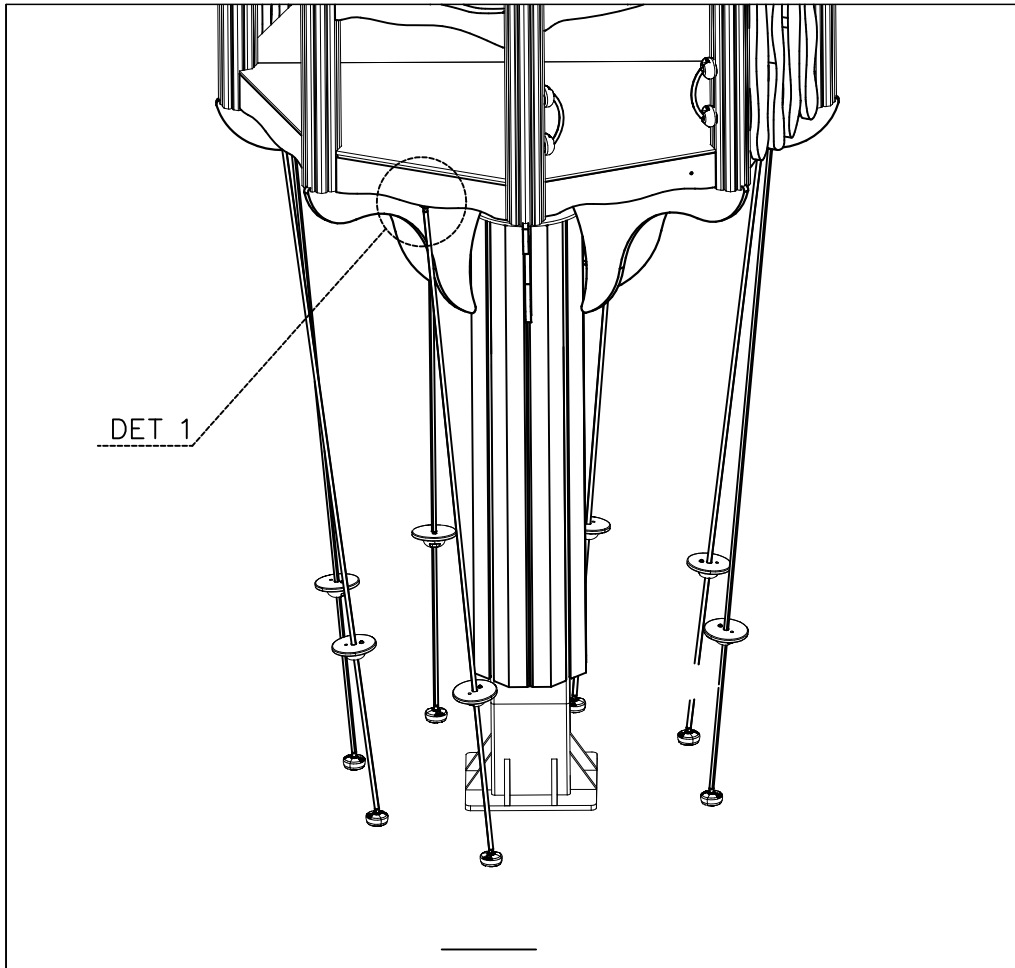
**1(1)**






② 905104	PCS		PCS
	4		
 M10	PCS		PCS



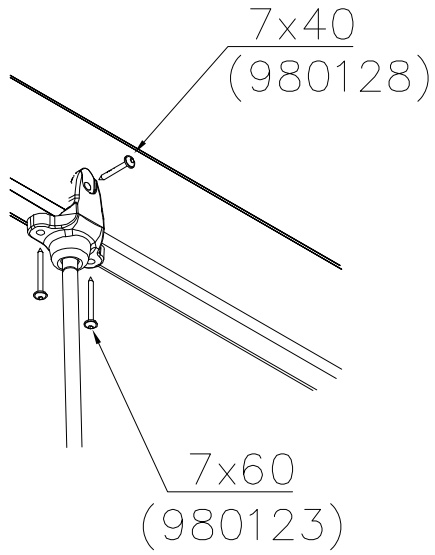
905104



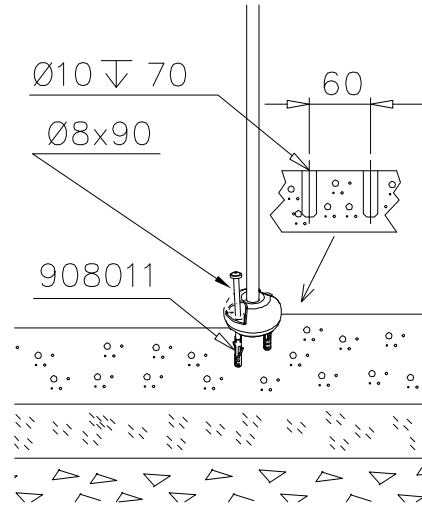


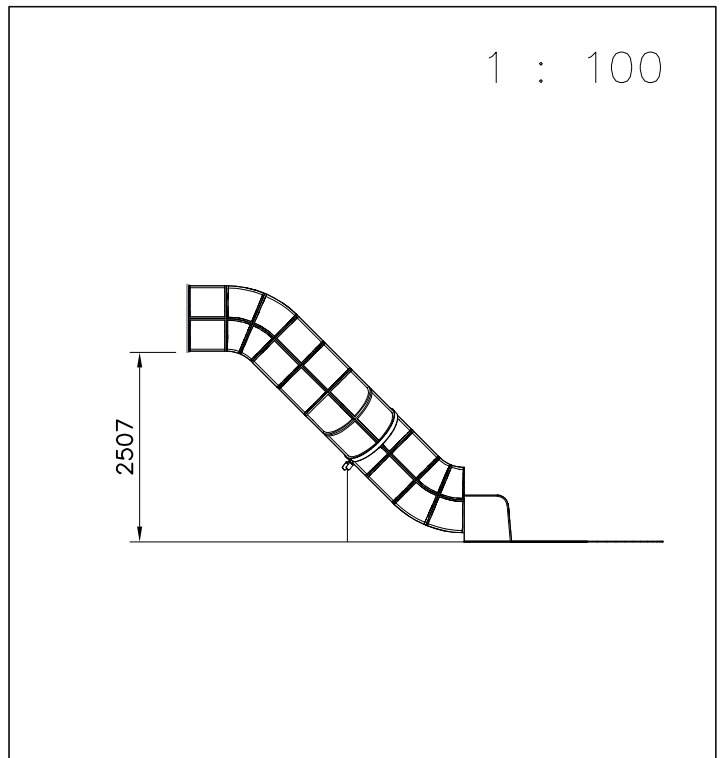
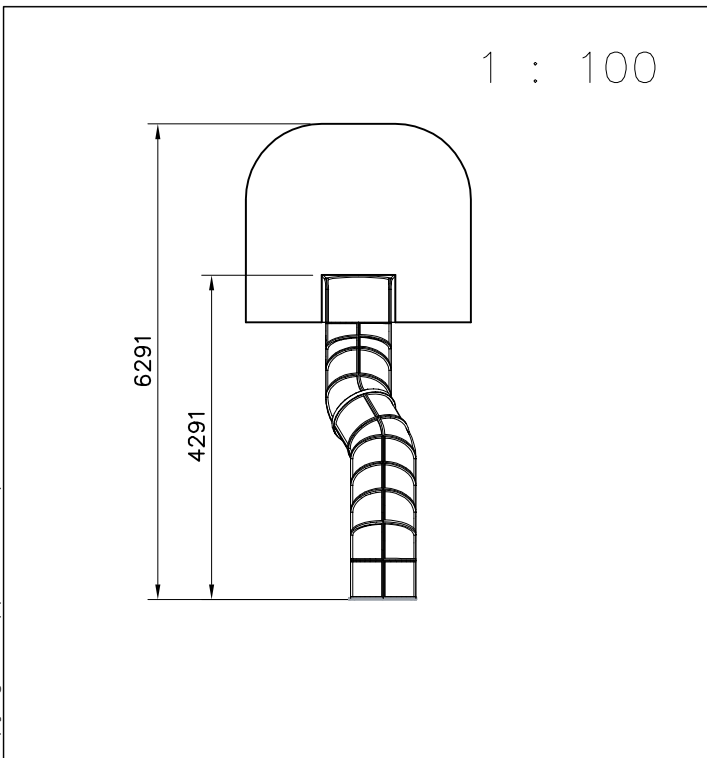
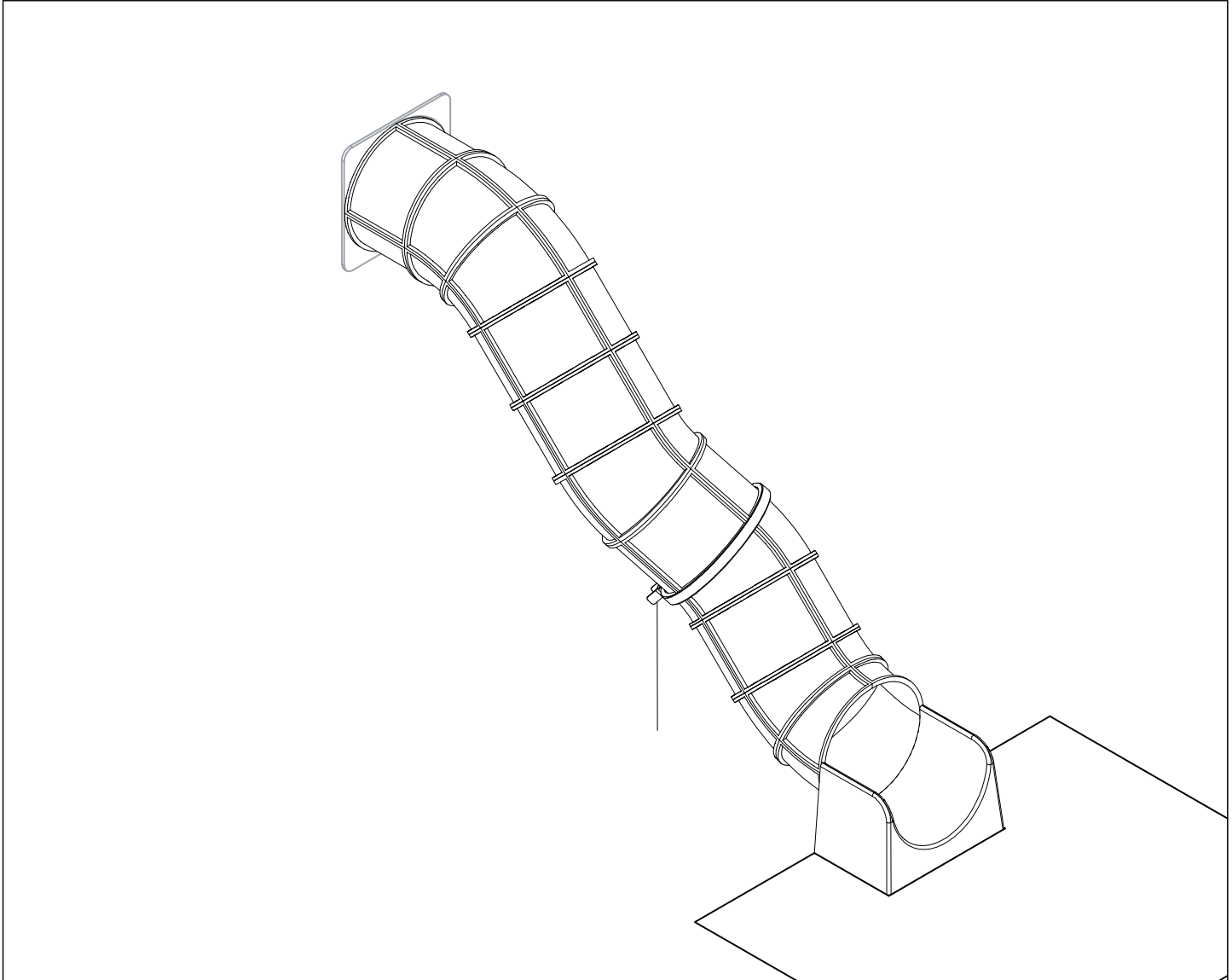
① P12428	PCS	② 980128	PCS
	1		1
L 2905		Ø7x40	
③ 980123	PCS	④ 903093	PCS
	2		2
Ø7x60		Ø8x90	
	PCS	⑤ 908011	PCS
			2
		Ø10	
	PCS		PCS
	PCS		PCS
	PCS		PCS
	PCS		PCS

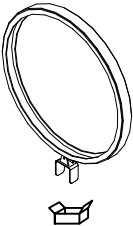
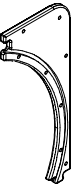
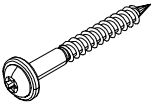
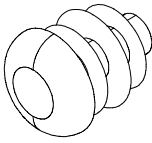

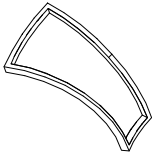
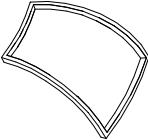
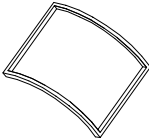
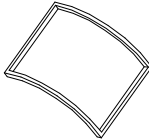


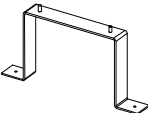

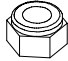

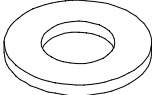
DET 1

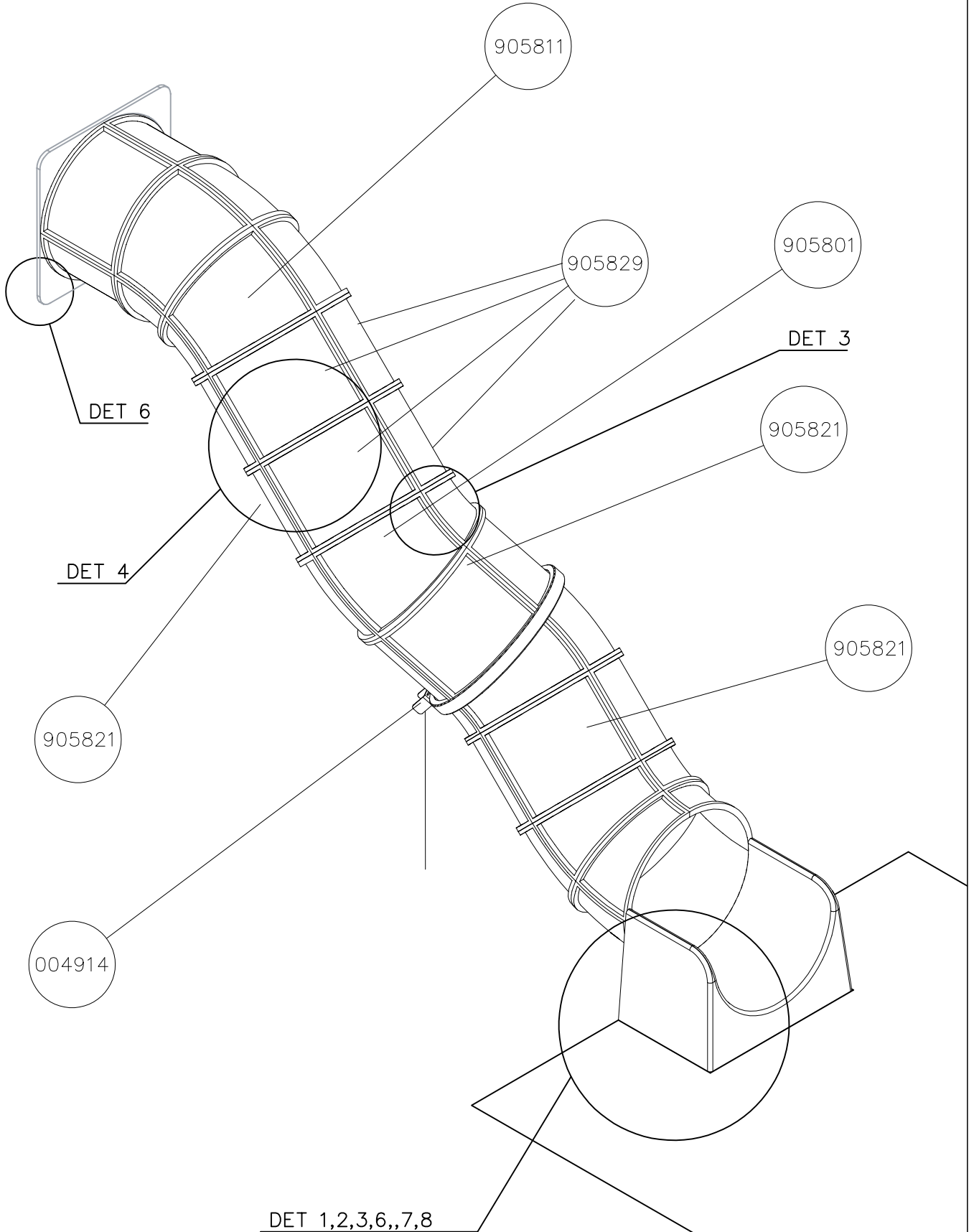


DET 2

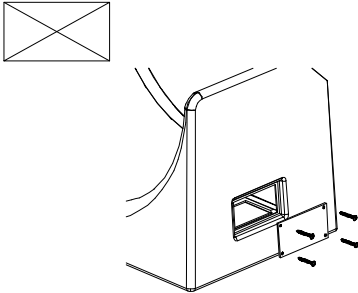
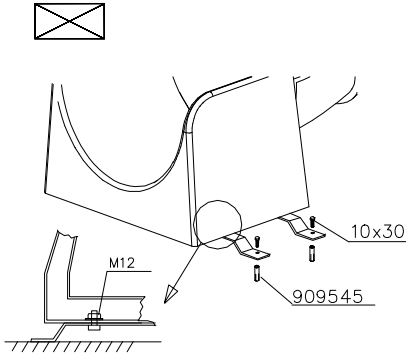
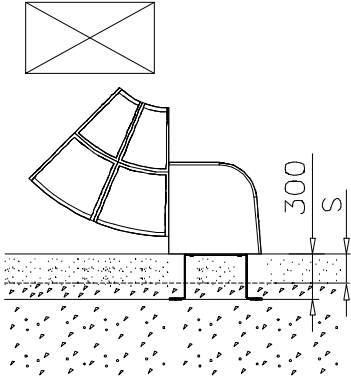
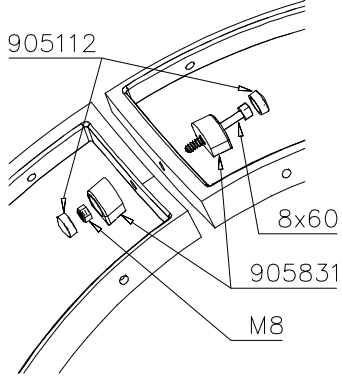
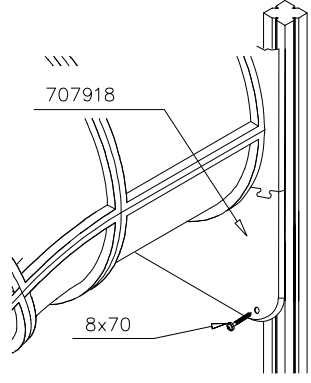
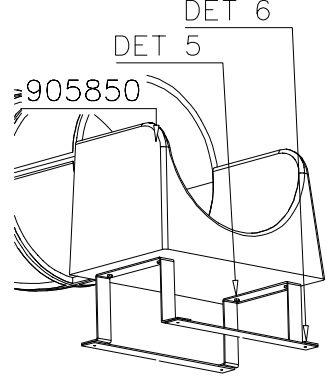
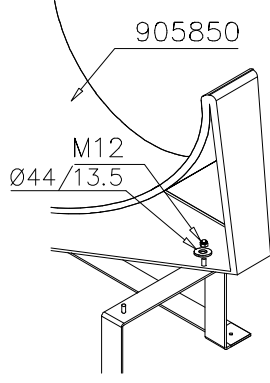
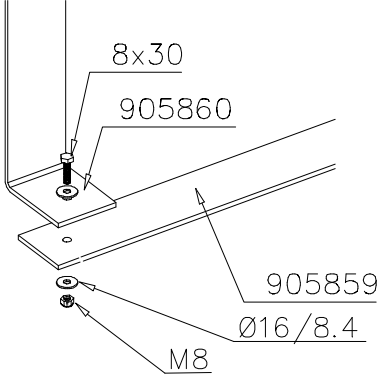


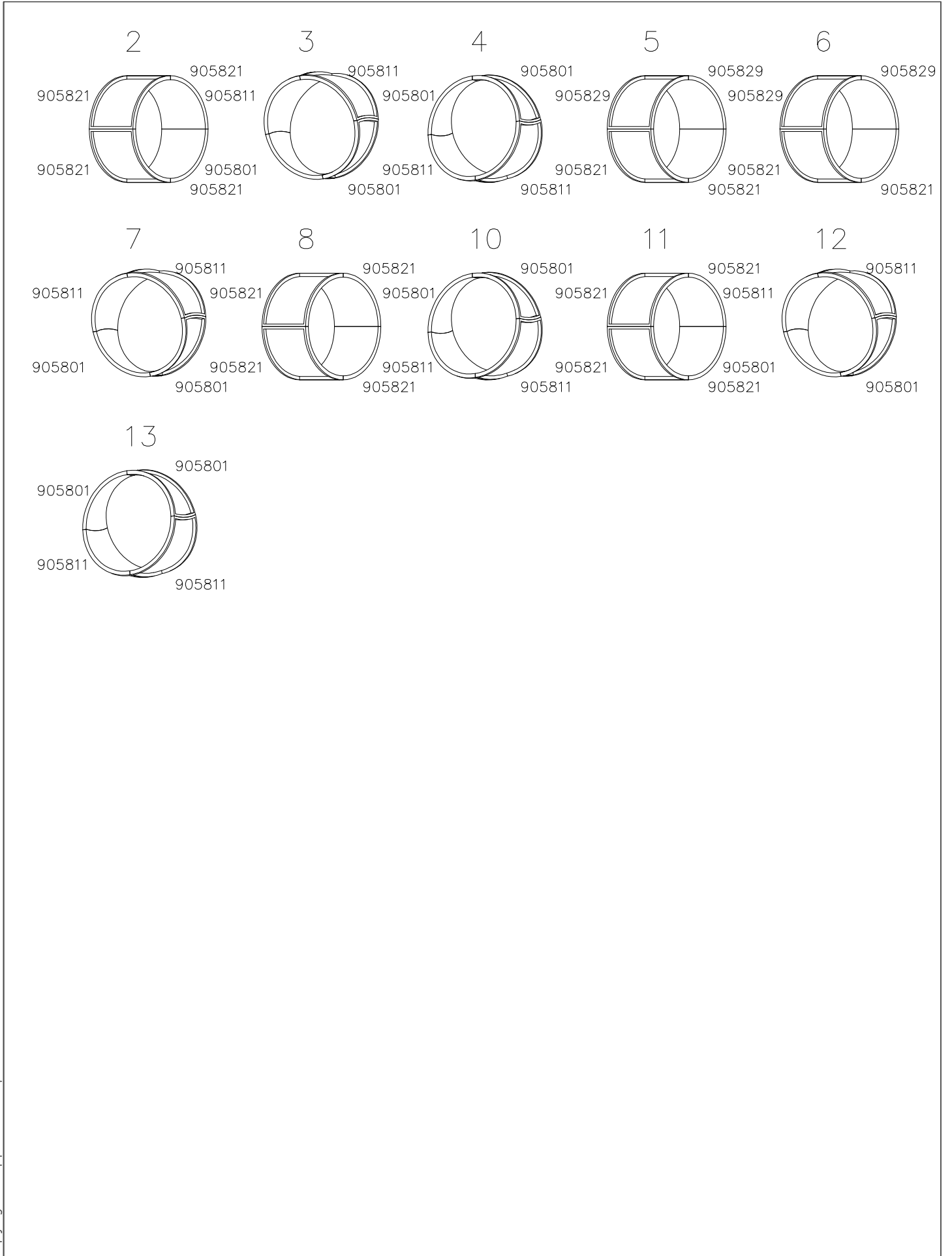


000000	PCS 1		PCS 1		PCS 1	 Ø8x70	PCS 14	 SRL12	PCS 6	 Ø44/13.5	PCS 4
905112	PCS 568	 GREY	PCS 10	 GREY	PCS 10	 GREY	PCS 12	 TRANSPARENT	PCS 4	 BLACK	PCS 496
905850	PCS 1	 6x80x850	PCS 2		PCS 2	 8x60	PCS 248	 M12	PCS 4	 8x30	PCS 4
980150	PCS 252	 Ø16/8.4	PCS 8		PCS		PCS		PCS		PCS
	PCS		PCS		PCS		PCS		PCS		PCS
	PCS		PCS		PCS		PCS		PCS		PCS
	PCS		PCS		PCS		PCS		PCS		PCS





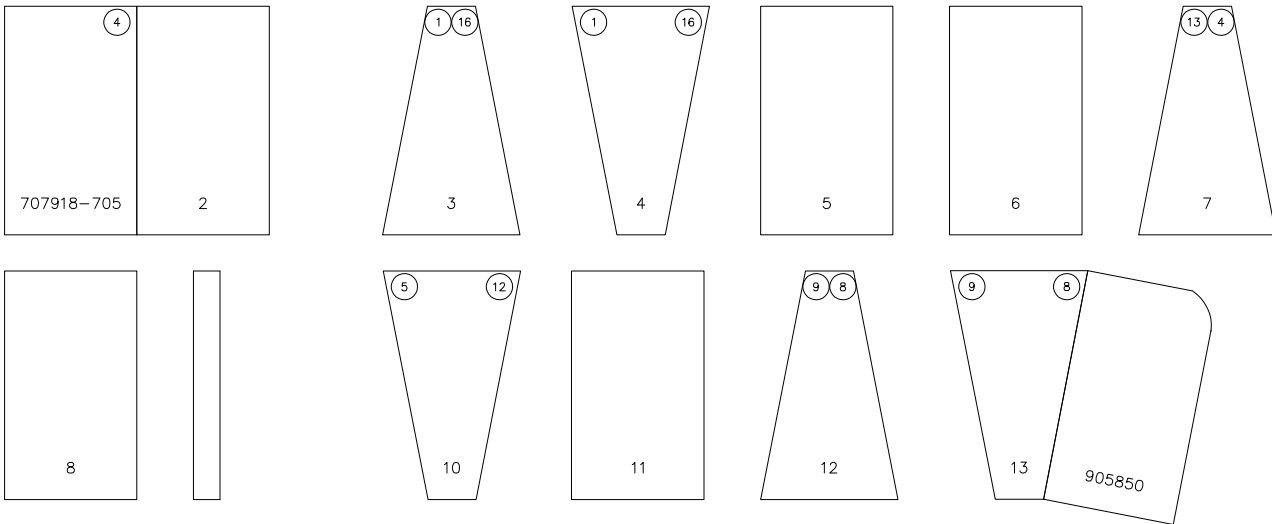
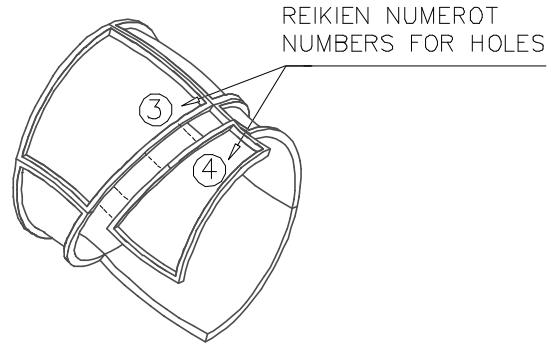
<p>DET 1</p>  <p>Access- and maintenance panel. Asennus- ja huolto luukku.</p>	<p>DET 2 SURFACE MOUNT OPTION</p>  <p>M12 10x30 909545</p>	<p>DET 3</p>  <p>300 S</p>
<p>DET 4</p>  <p>905112 8x60 905831 M8</p>	<p>DET 5</p>  <p>707918 8x70</p>	<p>DET 6</p>  <p>DET 6 DET 5 905850</p>
<p>DET 7</p>  <p>905850 M12 Ø44/13.5</p>	<p>DET 8</p>  <p>8x30 905860 905859 Ø16/8.4 M8</p>	



**Esimerkki putken kokoamisesta**  
**Example of installation**

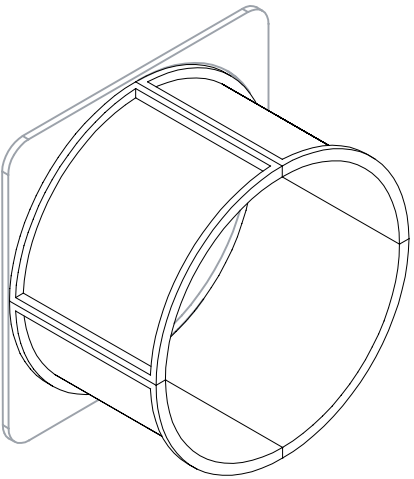
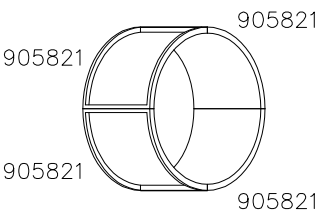


















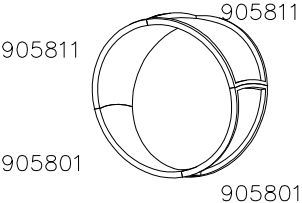



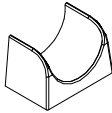





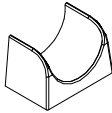




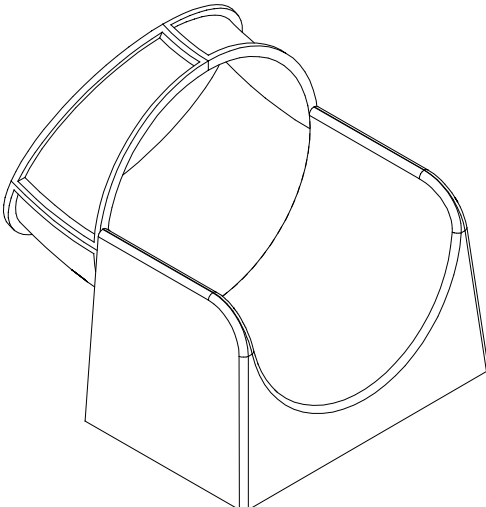



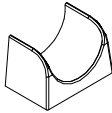


**LIUKUPINTAAN EI SAA TULLA**  
**LÄPINÄKYVIÄ MODUULEJA!!**

**NO TRANSPARENT PIECES ON**  
**SLIDING SURFACE!!**



Valmiiksi kasattujen osien osakokoonpanot ja vara-osa listat.

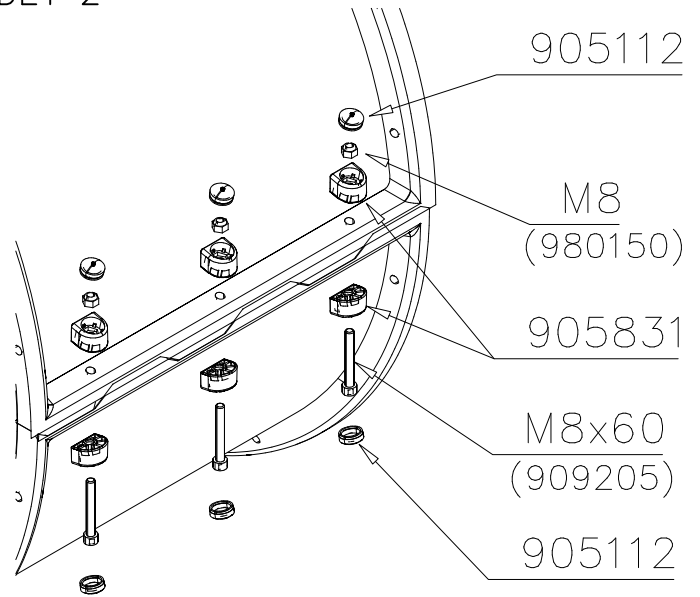
Ready installed component subassemblies and spare part list.

	<p style="text-align: center;">2</p>  <table border="1" data-bbox="869 952 1444 1332"> <tr> <td>707918-705 </td> <td>909205 x 12 </td> <td>980150 x 12 </td> </tr> <tr> <td>905831 x 40 </td> <td>909208 x 16 </td> <td>909119 x 16 </td> </tr> </table>			707918-705 	909205 x 12 	980150 x 12 	905831 x 40 	909208 x 16 	909119 x 16 
707918-705 	909205 x 12 	980150 x 12 							
905831 x 40 	909208 x 16 	909119 x 16 							
<p style="text-align: center;">13</p>  <table border="1" data-bbox="151 1747 718 2128"> <tr> <td>909205 x 16 909206 x 8 </td> <td>980150 x 16 </td> <td>905831 x 32 </td> </tr> <tr> <td>905850 </td> <td>909208 x 8 </td> <td>980151 x 8 </td> </tr> </table>	909205 x 16 909206 x 8 	980150 x 16 	905831 x 32 	905850 	909208 x 8 	980151 x 8 	<p>909252 x 13 </p> <p>700413 x 1 </p>	 <p style="text-align: center;">Position of the box: 90 degrees</p>	
909205 x 16 909206 x 8 	980150 x 16 	905831 x 32 							
905850 	909208 x 8 	980151 x 8 							

DET 1



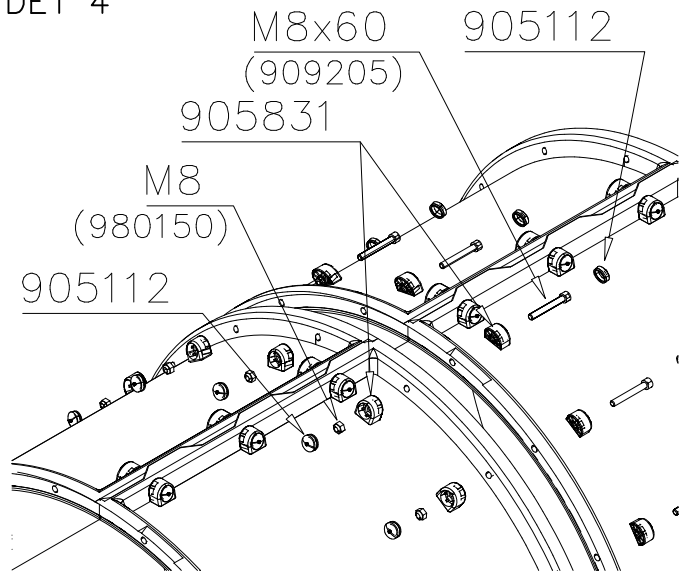
DET 2



DET 3



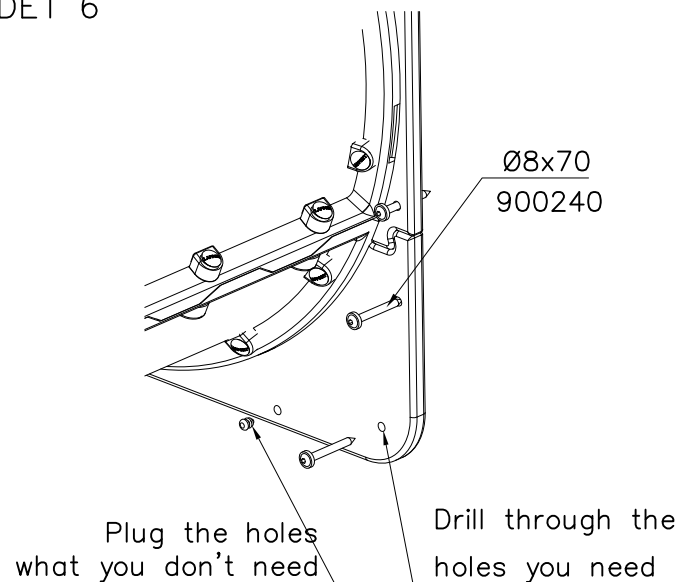
DET 4

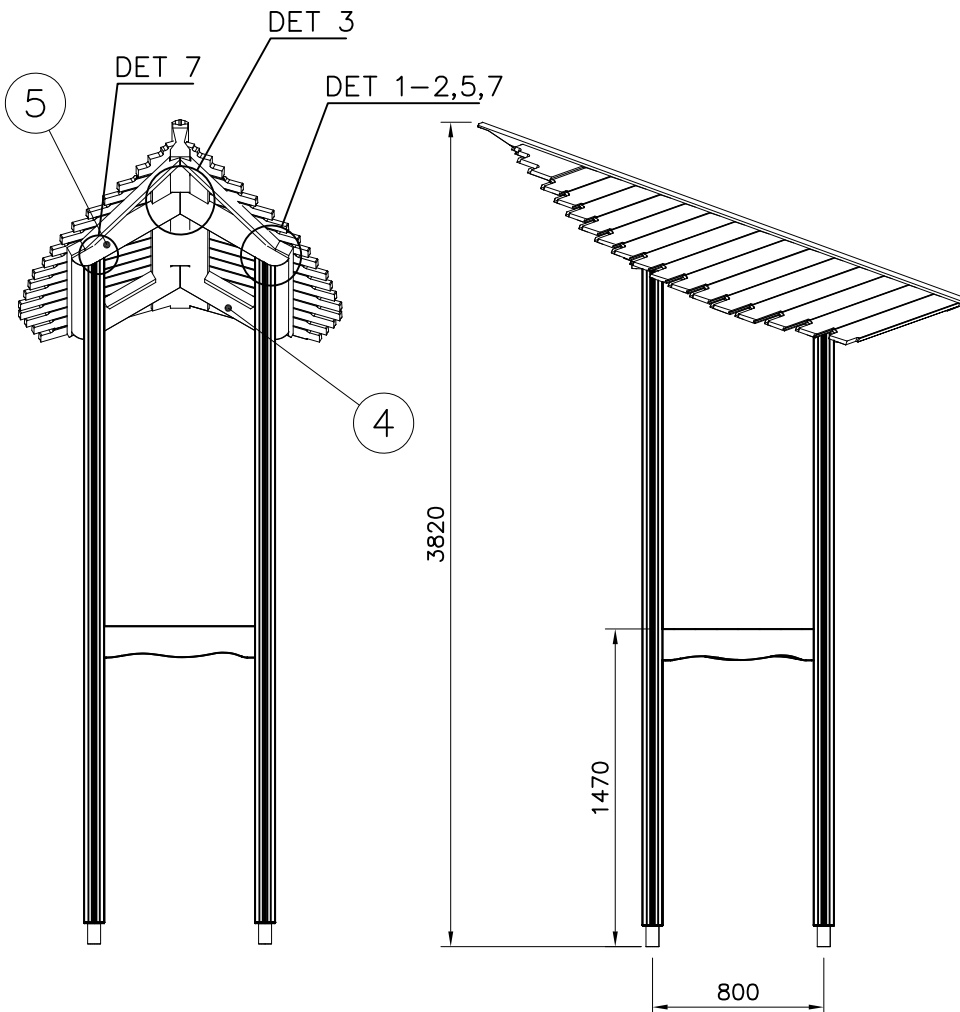
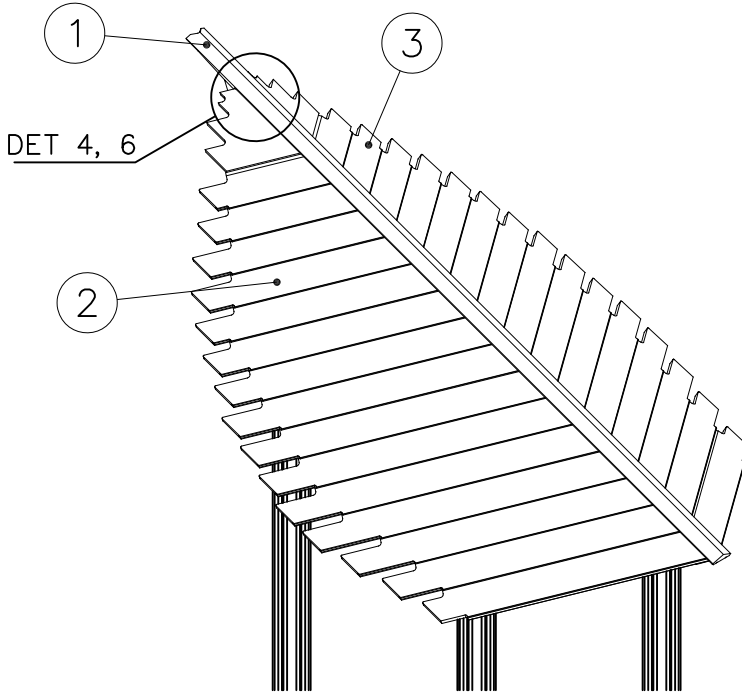



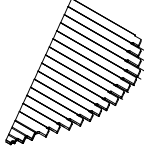

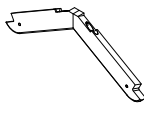
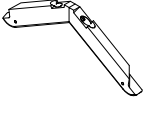
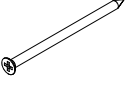

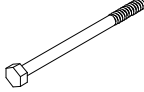

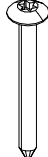
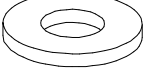
DET 5



DET 6





① 705190	PCS	② 705199	PCS
	1		1
L=2400			
③ 705272	PCS	④ 705528	PCS
	1		1
⑤ 705529	PCS	⑥ 980104	PCS
	1		4
		Ø5x90	
⑦ 905087	PCS	⑧ 909137	PCS
	4		4
		M12x160	
⑨ 909248	PCS	⑩ 980128	PCS
	4		6
M12		Ø7x40	
⑪ 980154	PCS		PCS
	4		
Ø24/13			
	PCS		PCS
	PCS		PCS

<p>DET 1</p>	<p>DET 2</p>	<p>DET 3</p> <p>NOTE Center boom grooves accurately to the roof truss. Leave no gaps! HUOM Asenna puomi keskelle kattotuolia. Älä jätä rakoja!</p>
<p>DET 4</p> <p>NOTE: Head of the element to the end of groove. HUOM: Elementin pää uran päähän.</p>	<p>DET 5</p> <p>NOTE: Install booms in to the cut of the roof truss. Leave no gaps! HUOM: Asenna puomit kattotuolin loveen. Älä jätä rakoja!</p>	<p>DET 6</p>
<p>DET 7</p>		