

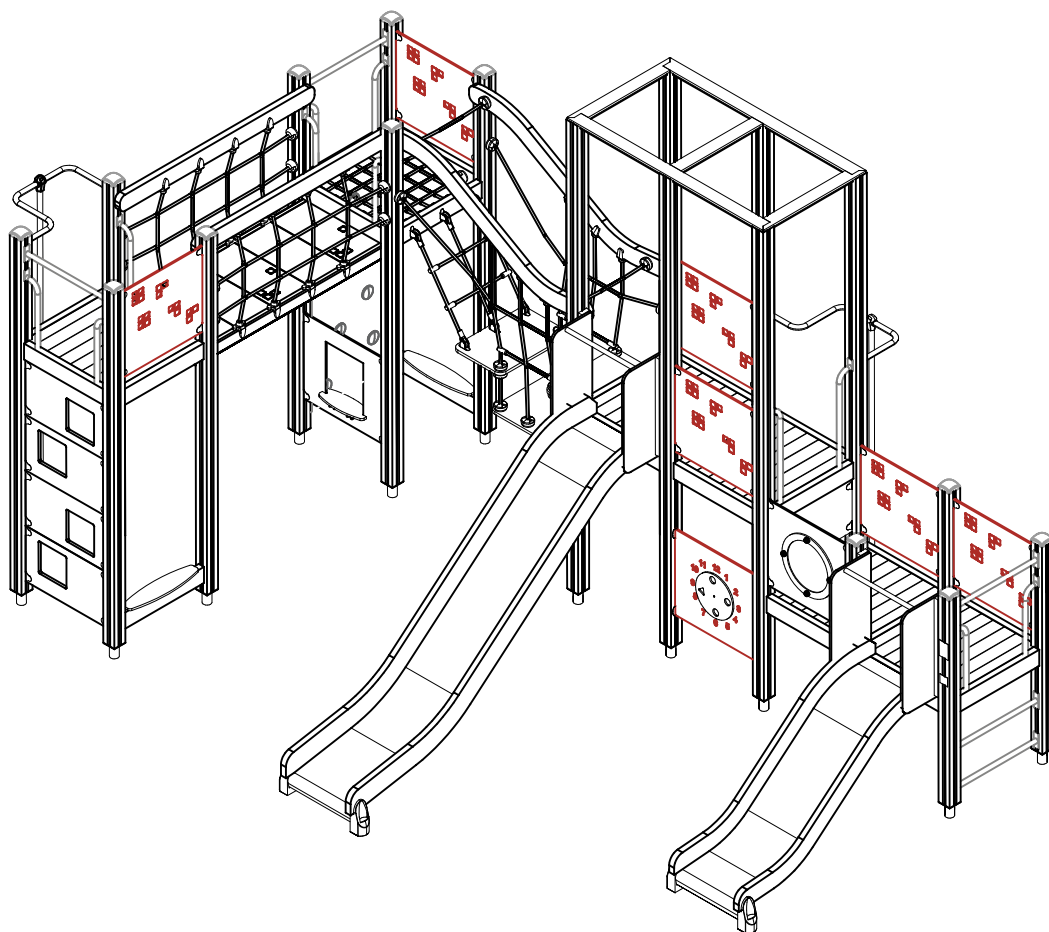
# LAPPSET®

## FINNO


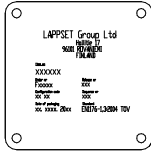
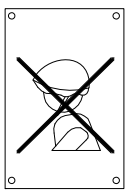

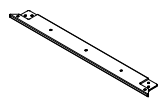
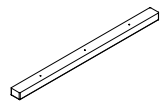
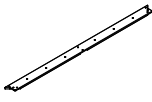
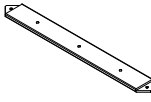
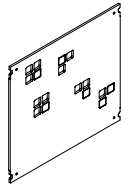
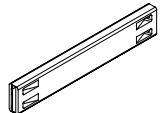

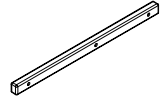
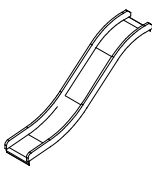
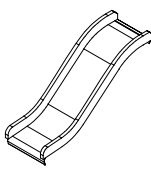
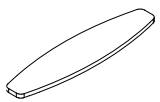
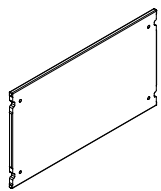


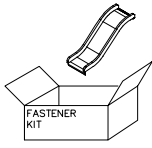
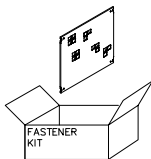
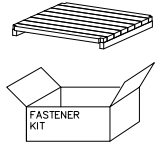
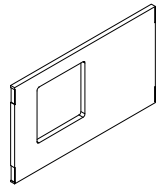
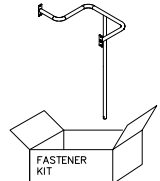
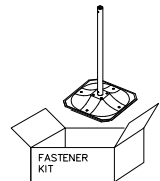
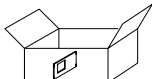
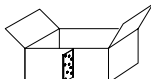
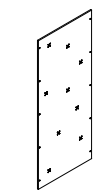
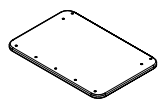
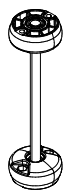

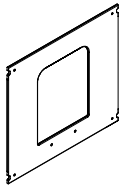
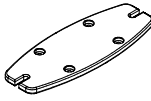
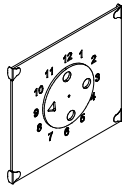
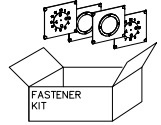


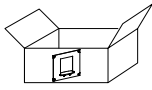
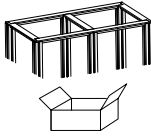
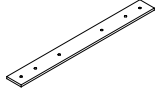
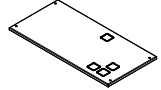
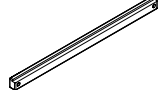
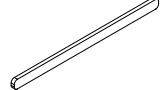
ASENNUSOHJE  
MONTERINGSANSVISNING  
INSTALLATION INSTRUCTION  
AUFBAUANLEITUNG  
NOTICE D'INSTALLATION

DATE: 28.5.2024

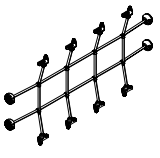
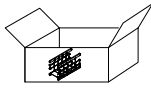
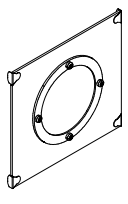
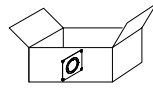
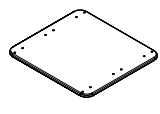
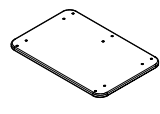
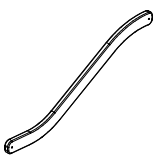
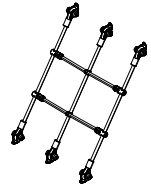
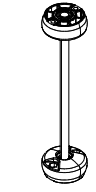
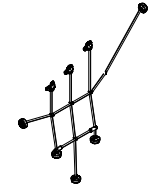
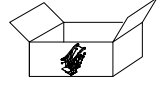
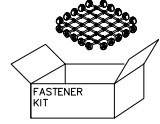
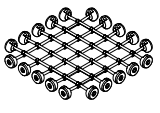
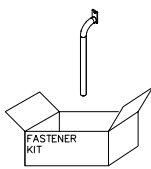
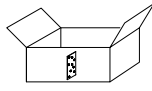
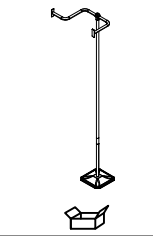
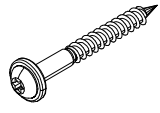
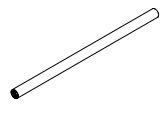

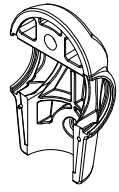

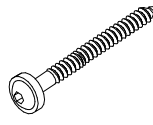
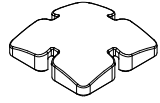
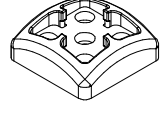
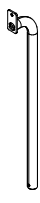
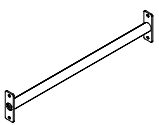
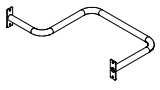

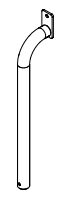



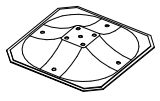
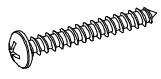
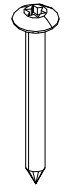
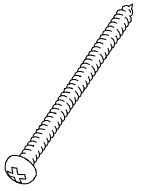
### Q14578-1

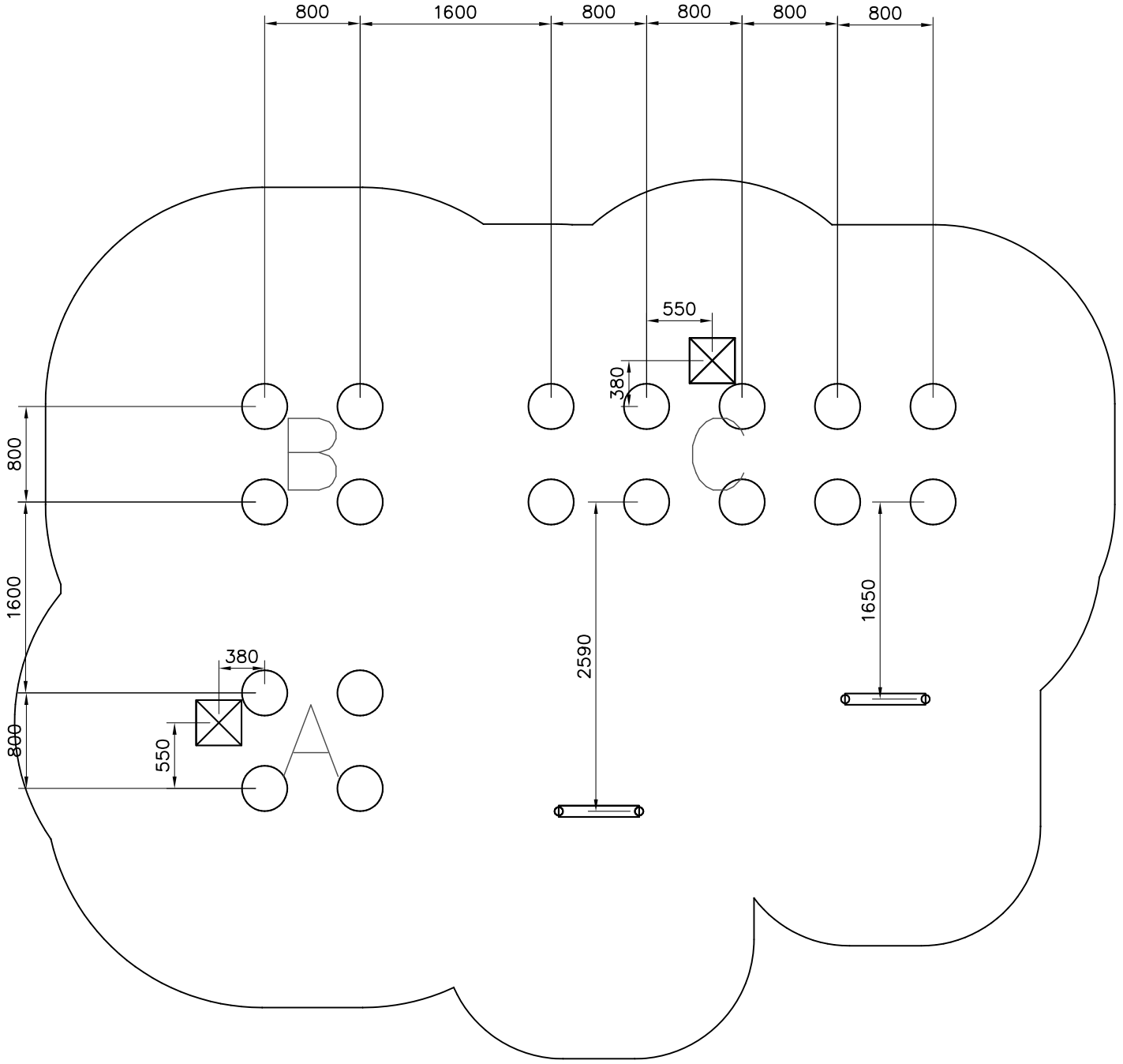
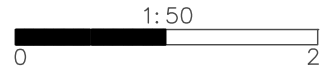


DATE: 20.5.2024

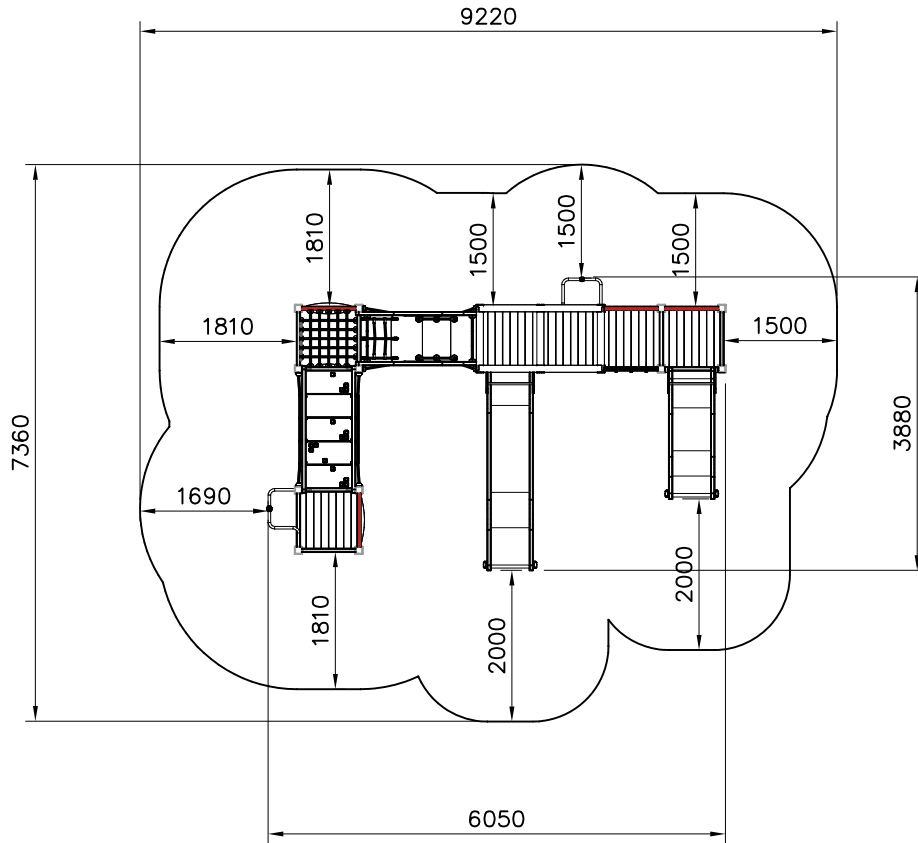
008986  750x750	PCS 5	702286  65x65	PCS 1	702339  118x78	PCS 1	706371-706  15x345x750	PCS 4	706428  32x45x704	PCS 2	706429-603  32x45x704	PCS 7
706434 	PCS 2	706435 	PCS 1	706436-706  10x640x702	PCS 6	706439-603  L 704	PCS 24	706441-603  93x93x1550	PCS 4	706443  32x45x702	PCS 10
706450-603 	PCS 1	706452-603 	PCS 1	706453  15x145x600	PCS 2	706461  15x400x703	PCS 1	706505  35x70x730	PCS 4	706531  18	PCS 18
706533  FASTENER KIT	PCS 2	706534  FASTENER KIT	PCS 7	706535  FASTENER KIT	PCS 5	706540-706  20x702x415	PCS 4	706541  FASTENER KIT	PCS 1	706542  FASTENER KIT	PCS 2
706557  FASTENER KIT	PCS 4	706609  FASTENER KIT	PCS 1	706646  12x686x1660	PCS 1	706685-704  20x413x615	PCS 1	706698-301  Ø16x280	PCS 2	706710-301  Ø16x618	PCS 2
706727-706  10x702x640	PCS 1	706744  15x145x380	PCS 1	706772-706  FASTENER KIT	PCS 1	706778  FASTENER KIT	PCS 1	706790-603  93x93x3500	PCS 6	706810-603  93x93x2650	PCS 8
706885  FASTENER KIT	PCS 1	706946  FASTENER KIT	PCS 1	707133  10x80x745	PCS 2	707398-706  15x630x310	PCS 5	707399-603  70x95x1680	PCS 2	707401-607  45x120x1680	PCS 2

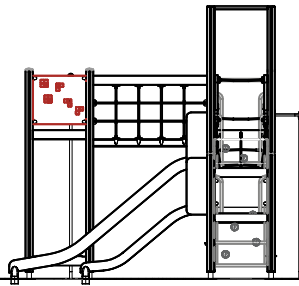
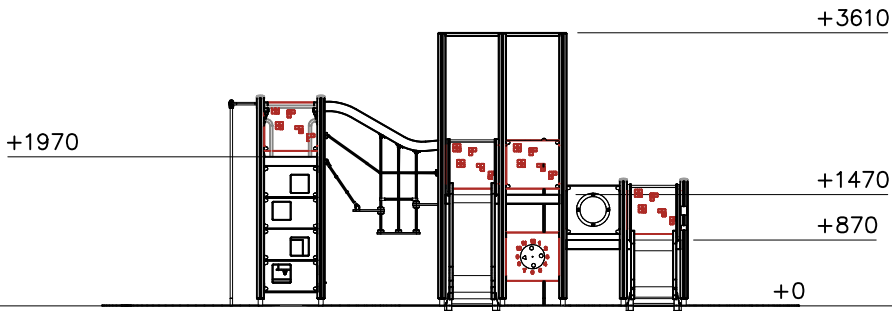
DATE: 20.5.2024

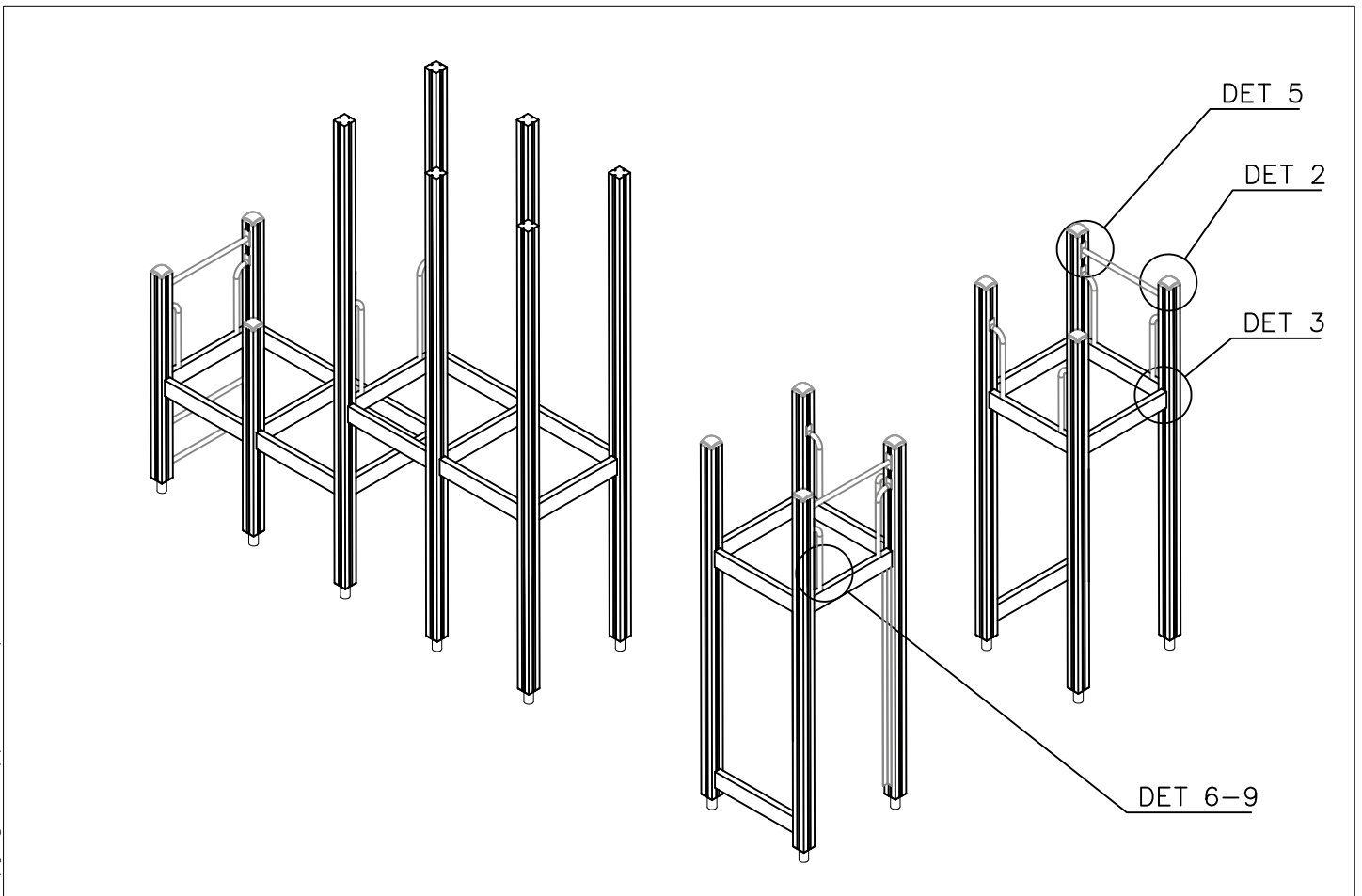
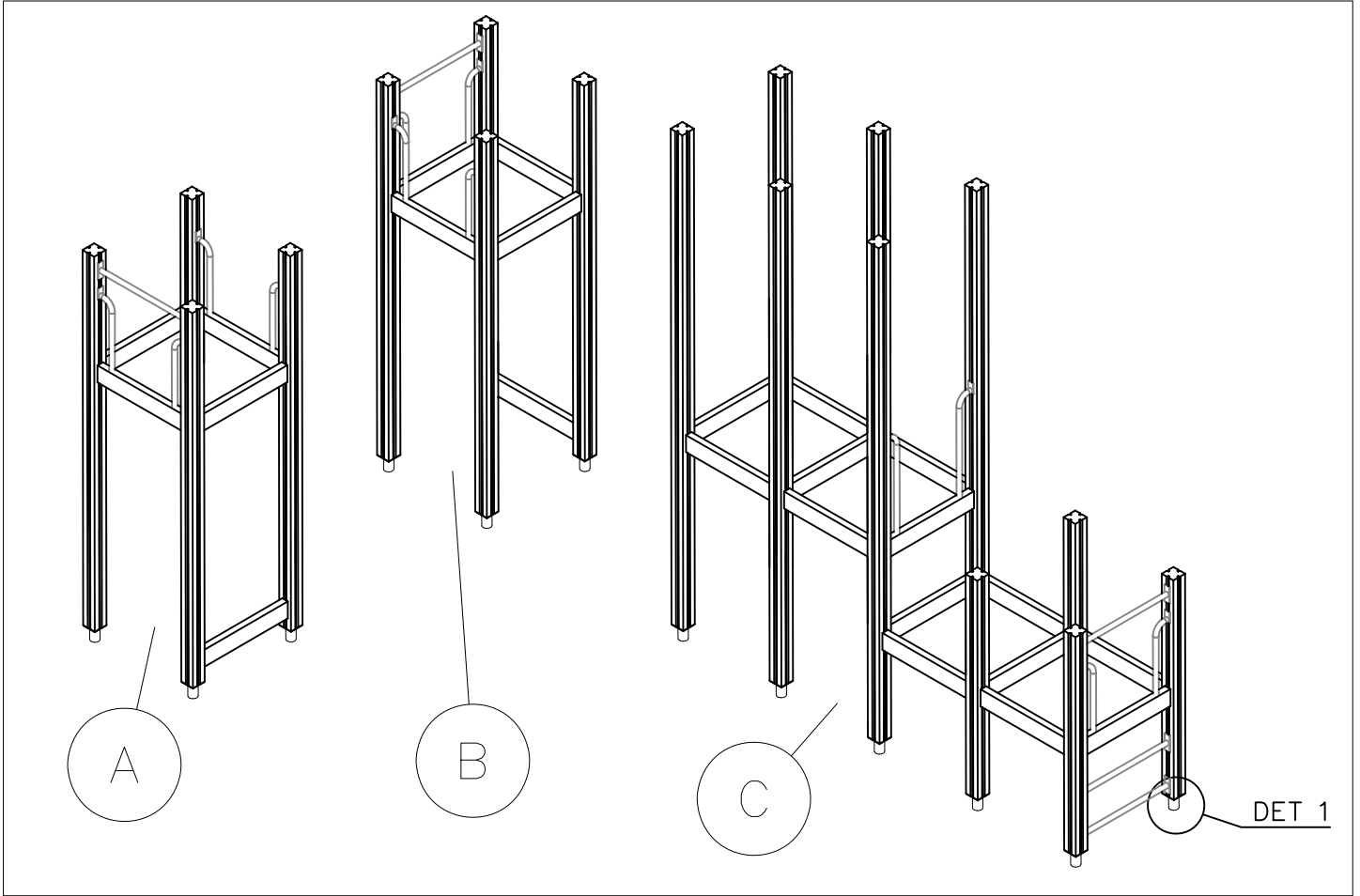
707402-301	PCS 2	707405	PCS 1	707453-706	PCS 1	707454	PCS 1	707541-704	PCS 1	707542-704	PCS 1
											
1505x720				10x640x702				20x566x615		20x414x615	
707544-607	PCS 2	707550-301	PCS 1	707551-301	PCS 2	707560-301	PCS 2	707566	PCS 1	707588	PCS 1
											
43x123x1775				Ø16x360							
707590-301	PCS 1	707732	PCS 12	708046	PCS 1	711467	PCS 1	900240	PCS 20	901868	PCS 6
											
755x755								Ø8x70		Ø34x598	
901879	PCS 4	901902	PCS 4	901916	PCS 2	903093	PCS 96	905138	PCS 12	905196	PCS 12
											
		30.7x60.9x100		L 650		Ø8x90		GRAY		GRAY	
907688-216	PCS 2	907694-216	PCS 5	907695-216	PCS 1	907698-216	PCS 1	907701-216	PCS 10	907770	PCS 2
											
		L 704				L 2054				2x35/40x1659	
907817-216	PCS 1	909511	PCS 18	909519	PCS 20	980114	PCS 8	980123	PCS 8	980131	PCS 48
											
L 2554		90x90x650		50x380x380		Ø4x20		Ø7x60		Ø6x60	
	PCS		PCS		PCS		PCS		PCS		PCS



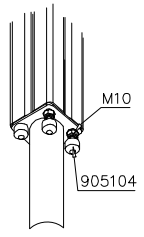
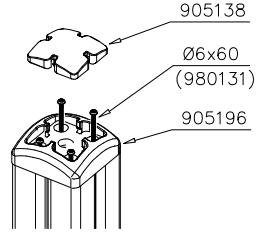
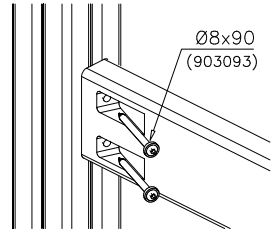
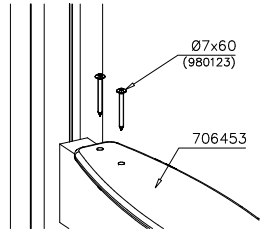
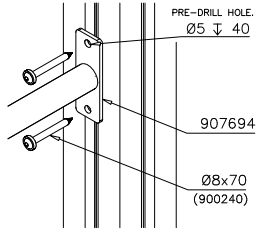
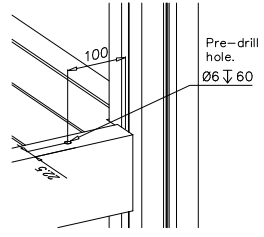
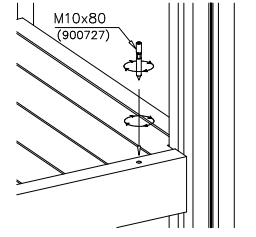
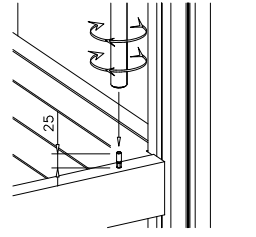
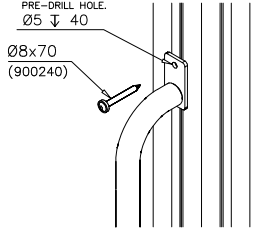

- EN/AS Impact Area 55.9 m<sup>2</sup>
- - - Falling Space 55.9 m<sup>2</sup>  
Max Falling Height 1970 mm

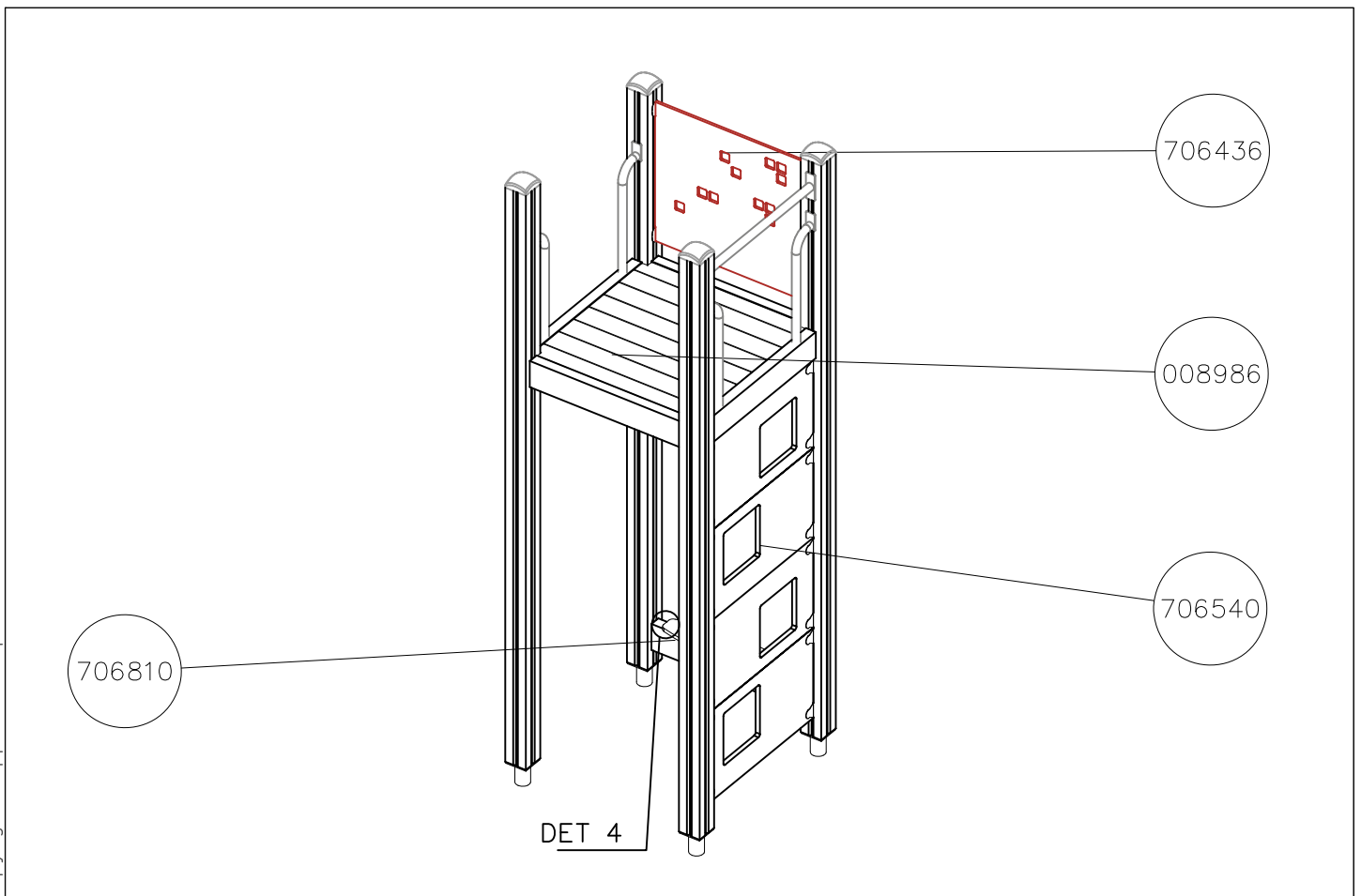
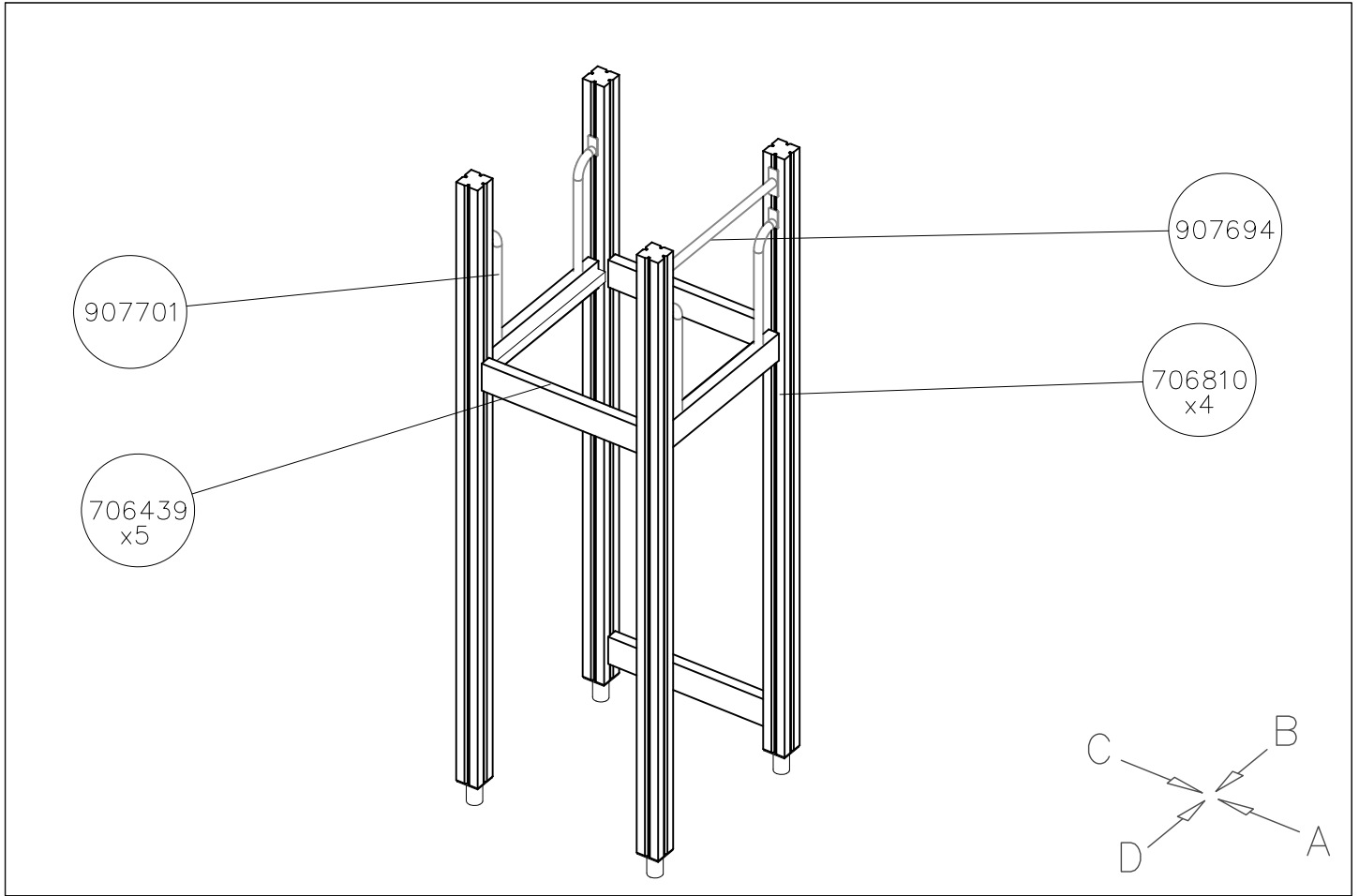








<p>DET 1</p> 	<p>DET 2</p> 	<p>DET 3</p> 	<p>DET 4</p> 
<p>DET 5</p> 	<p>DET 6</p> 	<p>DET 7</p> 	<p>DET 8</p> 
<p>DET 9</p> 			

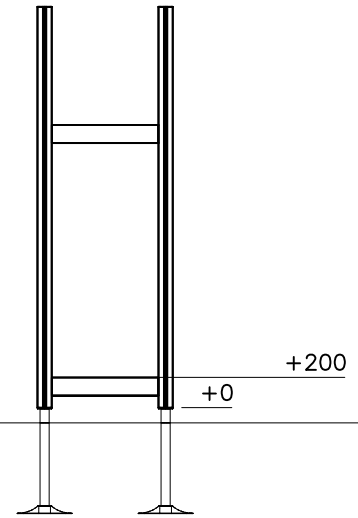
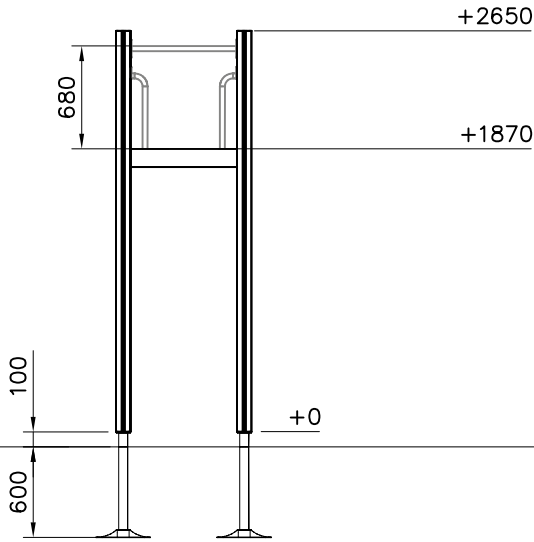


DATE: 29.5.2024

1:50

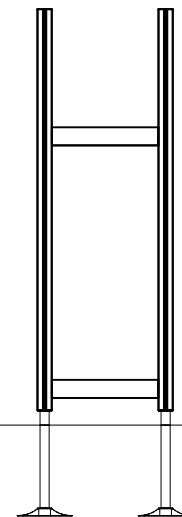
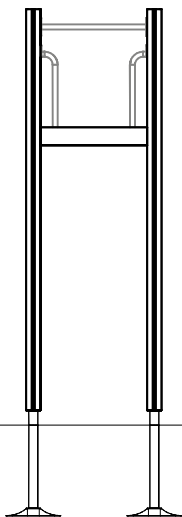
A

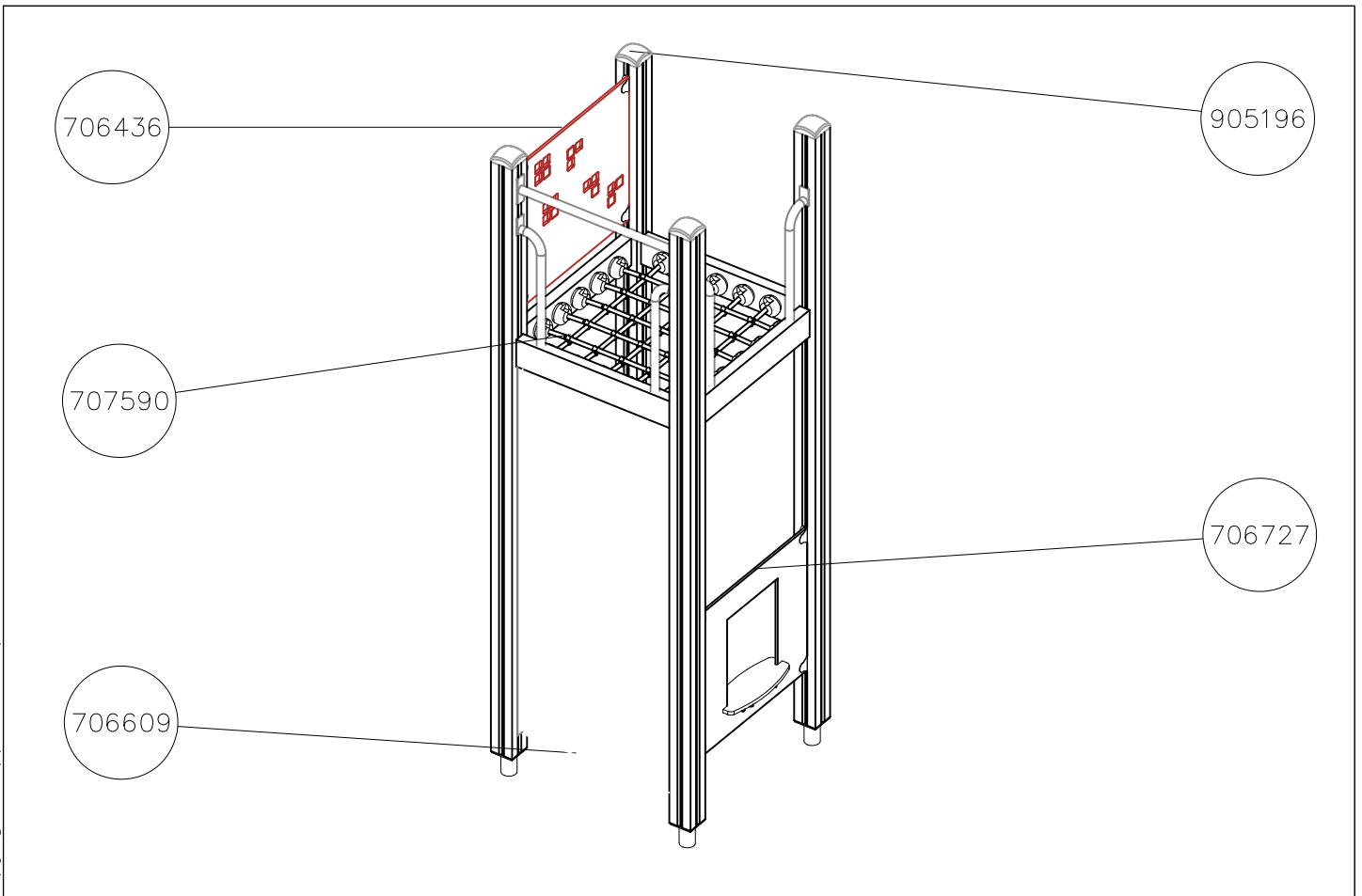
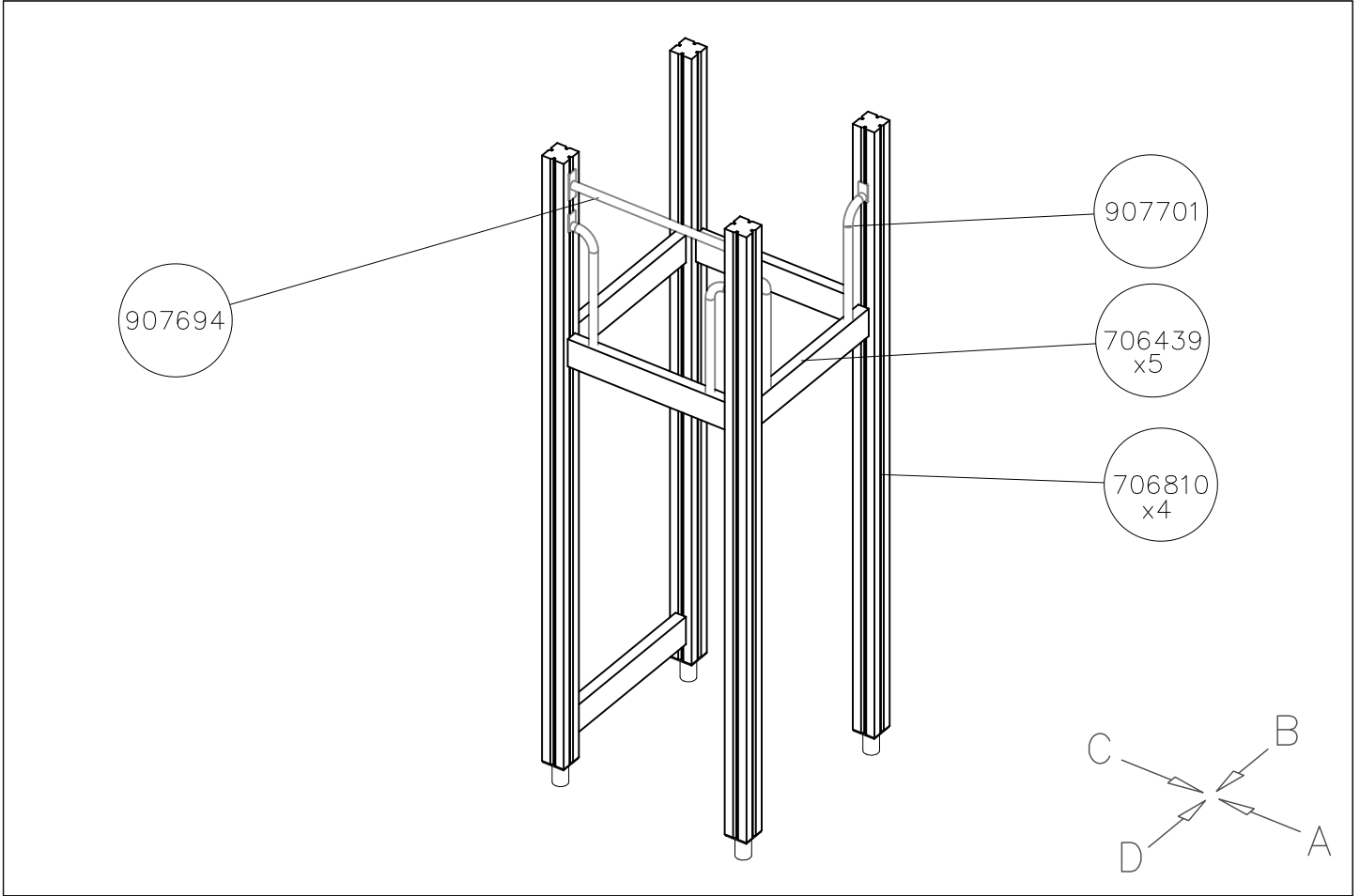
B



C

D



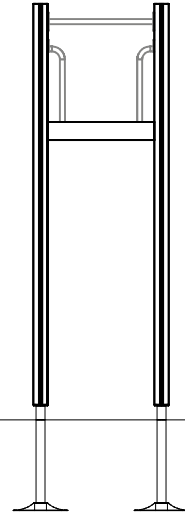
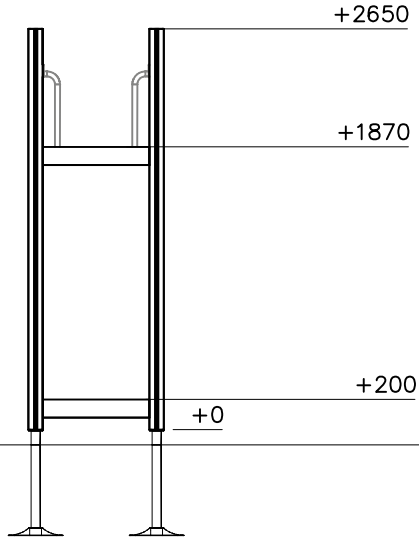


DATE: 29.5.2024

1:50

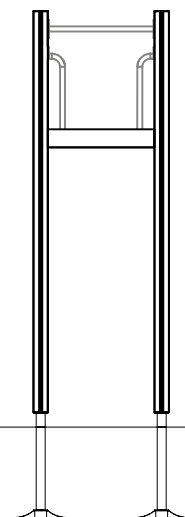
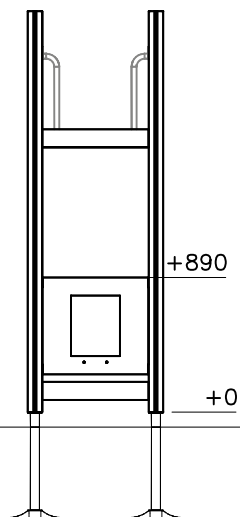
A

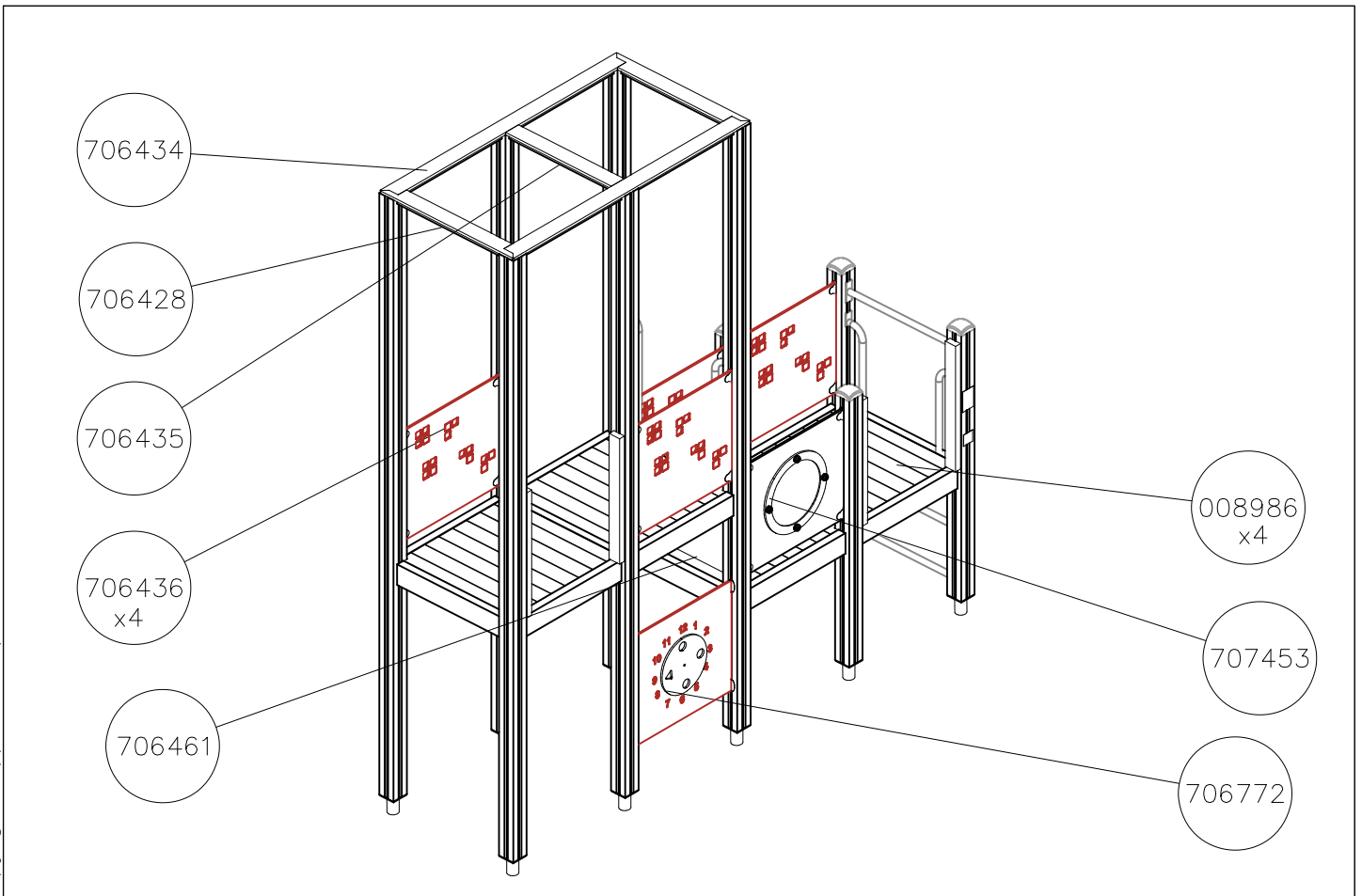
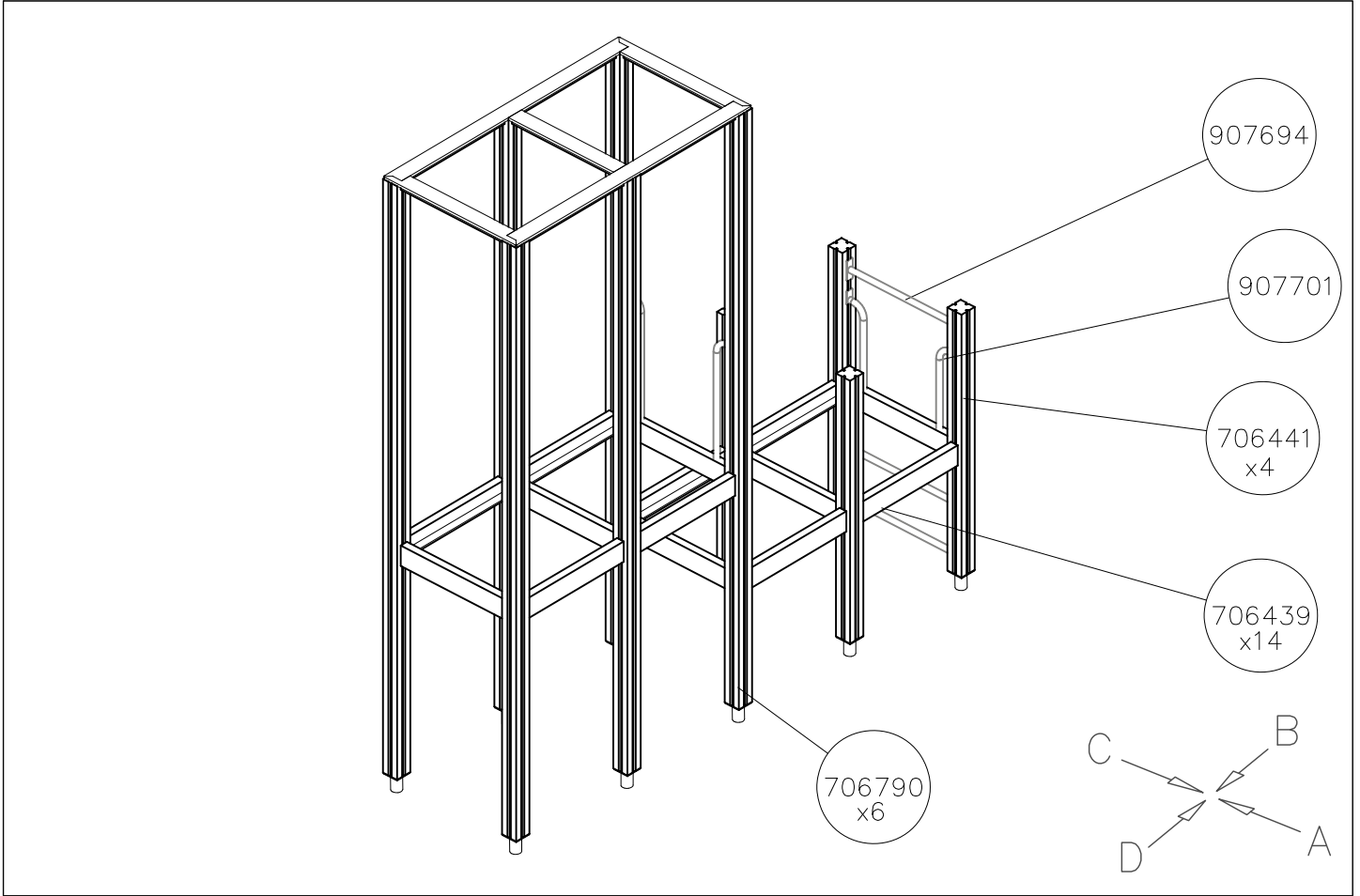
B



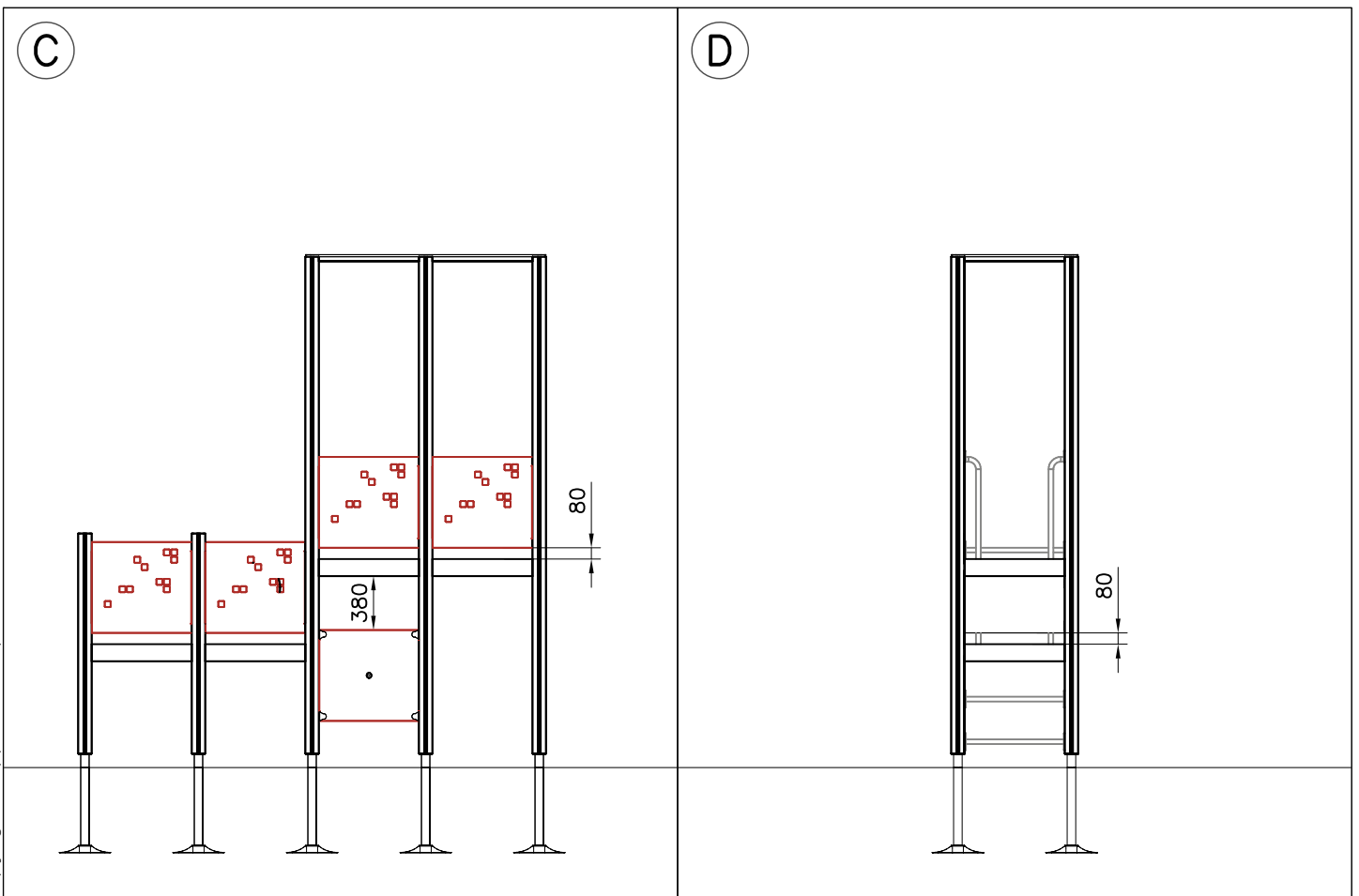
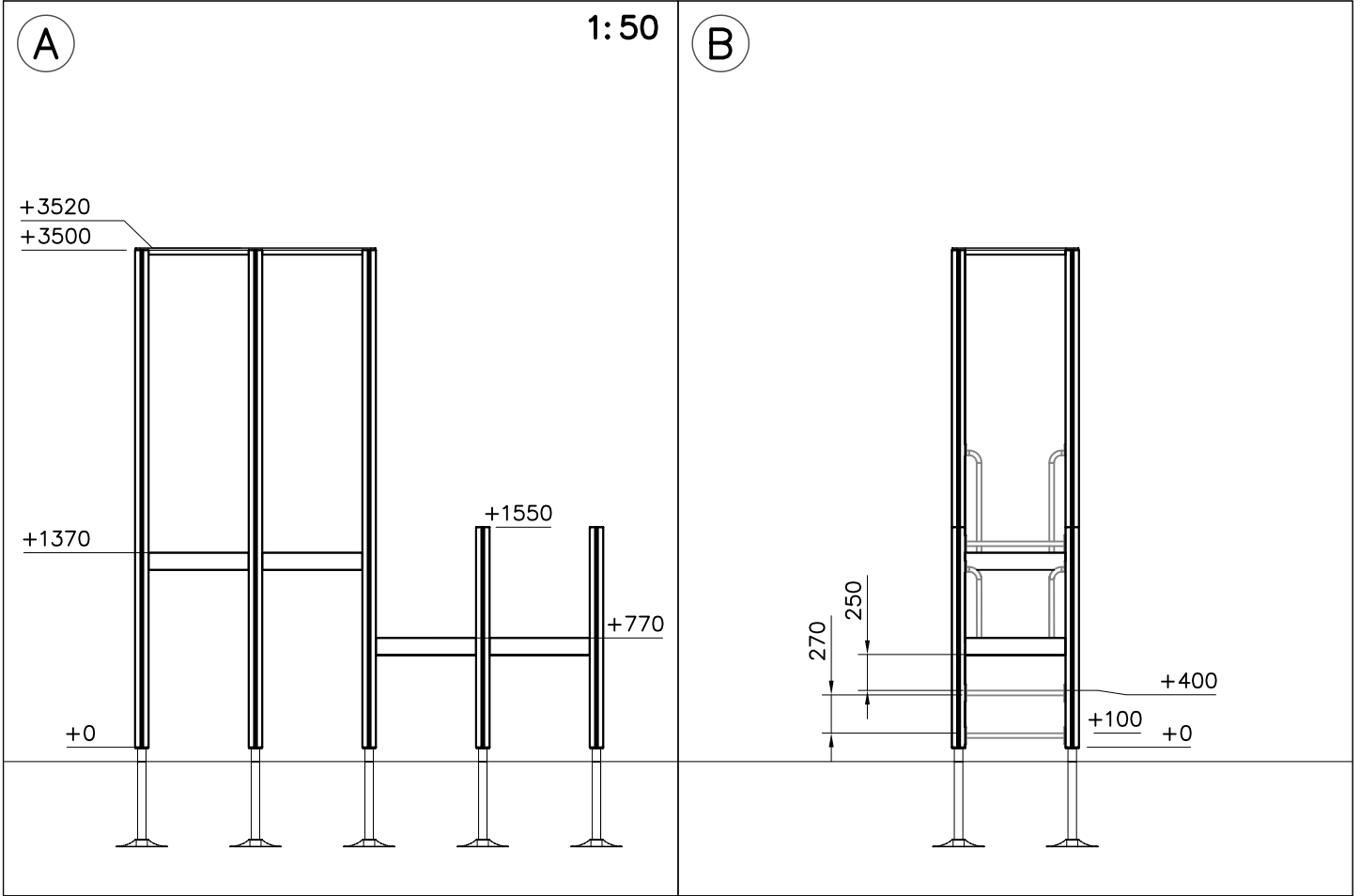
C

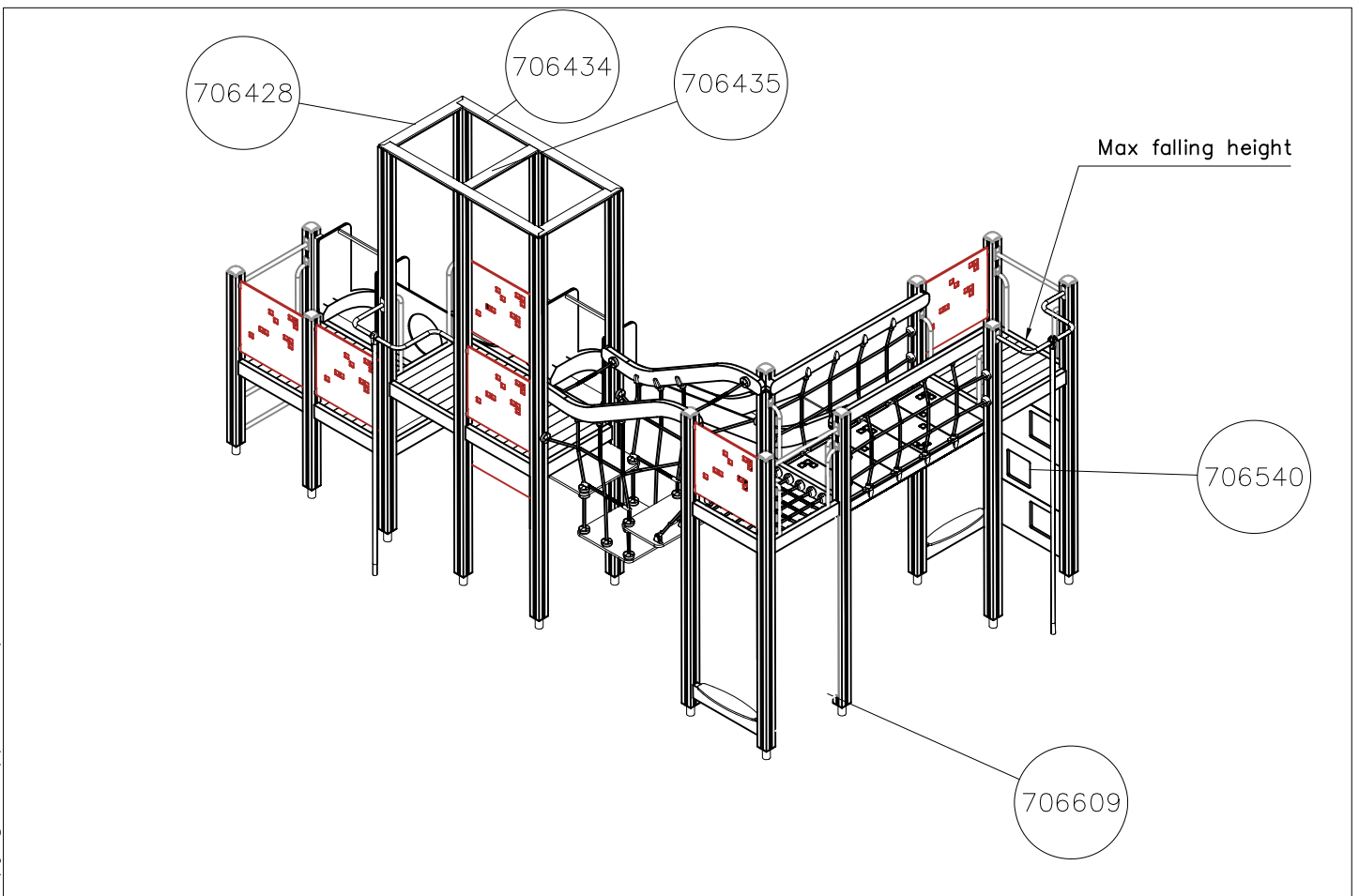
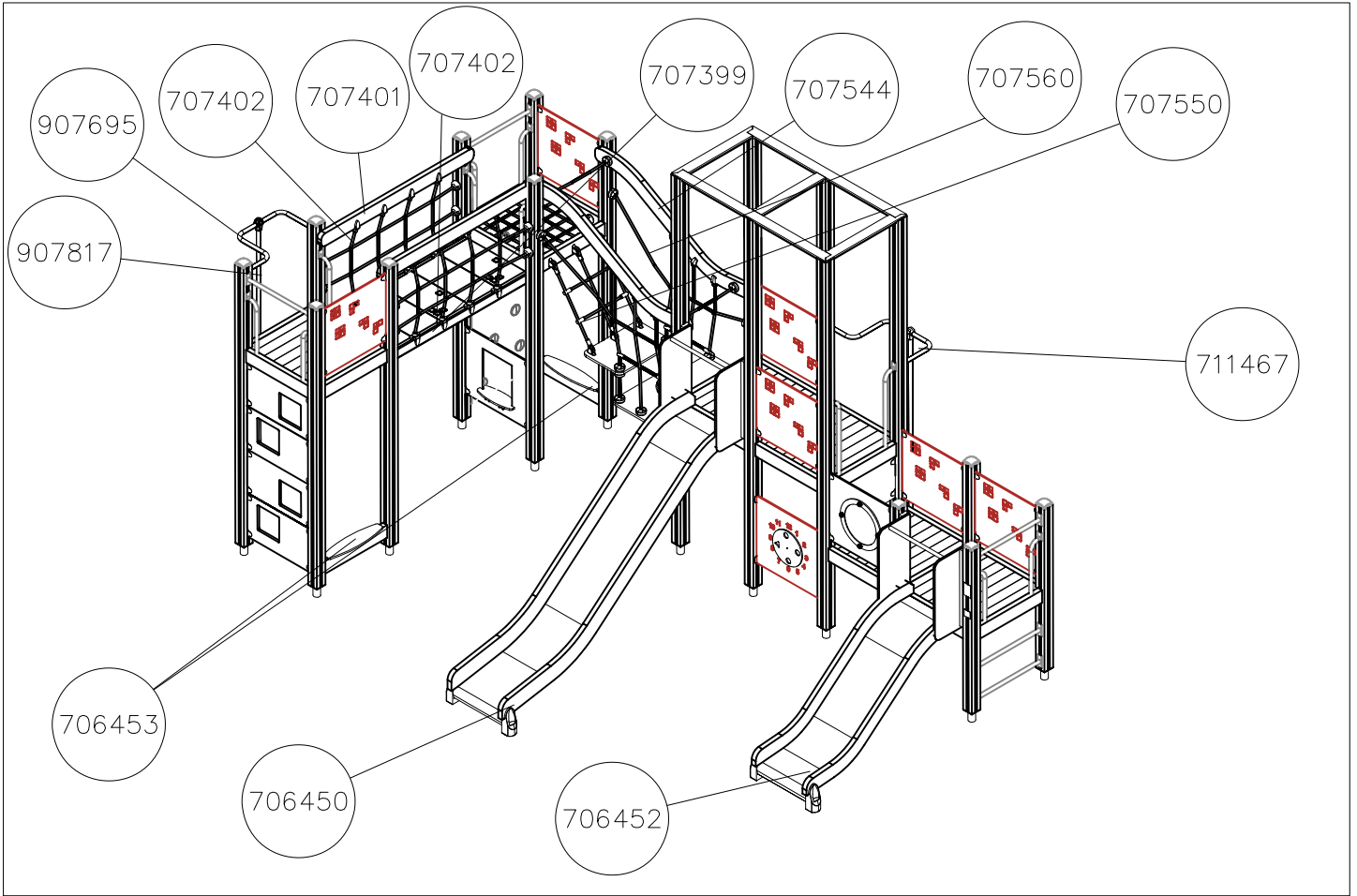
D



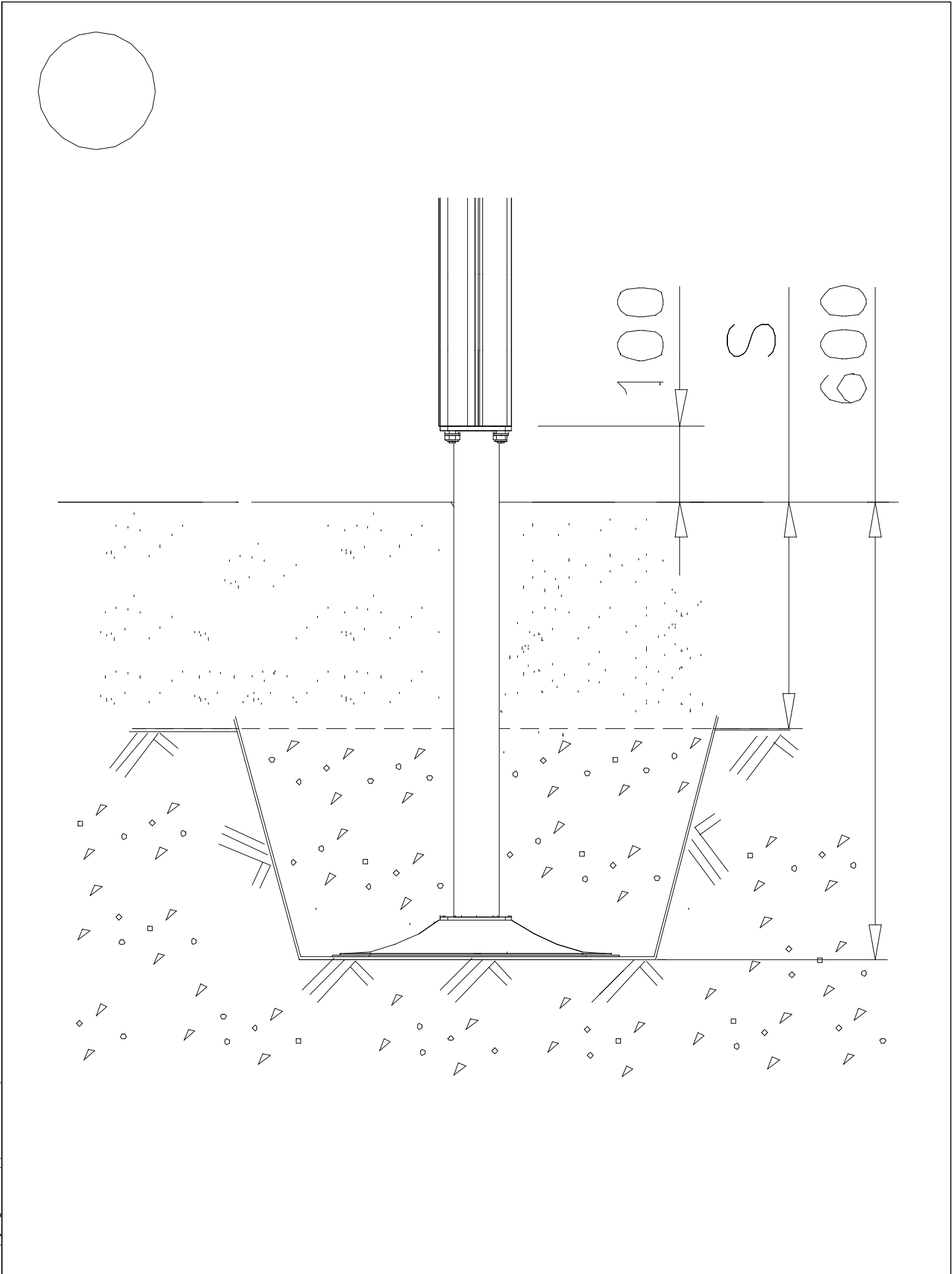


1:50









**LAPPSET®**  
**BETON FOUNDATION**

**FOOT**

DATE: 27.10.2015

**1(1)**

② 905104	PCS		PCS
	4		
 M10	PCS		PCS



905104

# LAPPSET® DEEP FOUNDATION

# FOOT

DATE: 15.5.2018

1(1)



①	909511	PCS	②	909519	PCS
		1			1
	90x90x650			50x380x380	

③	909637	PCS	④	909638	PCS
		4			8
	M10			Ø20/10.5	

⑤	909639	PCS	⑥	905104	PCS
		4			4
	M10x25			M10	

OPTION FOOT

①	911155	PCS			PCS
		1			
	90x90x650				

# LAPPSET

## DEEP FOUNDATION

# SLIDE WOOD

DATE: 22.5.2015

1(1)





SLIDE OPTIONS

<p>706450 +1470</p> 	<p>706450-602 DARK BROWN                  706450-603 LIGHT BROWN                  706450-604 LIGHT GRAY</p>	
<p>706452 +870</p> 	<p>706452-602 DARK BROWN                  706452-603 LIGHT BROWN                  706452-604 LIGHT GRAY</p>	

WALL OPTIONS

<p>706371</p> 	<p>706371-701 BLUE                  706371-702 YELLOW                  706371-703 LIME                  706371-704 DRARK GRAY                  706371-705 LIGHT GRAY                  706371-706 RED</p>	<p>706371-707 GREEN                  706371-708 FUXIA</p>
---	--	---

○ SLIDE	PCS	○ SLIDE	PCS	○ 706371	PCS	○ 706505	PCS	○ 901868	PCS	① 903093	PCS
	1		1		2		2		1		2
+1470		+870		15x345x750		35x70x730		Ø34x598		Ø8x90	
② 909876	PCS	③ 980100	PCS	④ 980128	PCS	⑤ 999561	PCS				
	2		12		11		1				
M8x40		Ø5x60		Ø7x40		10g					





# LAPPSET

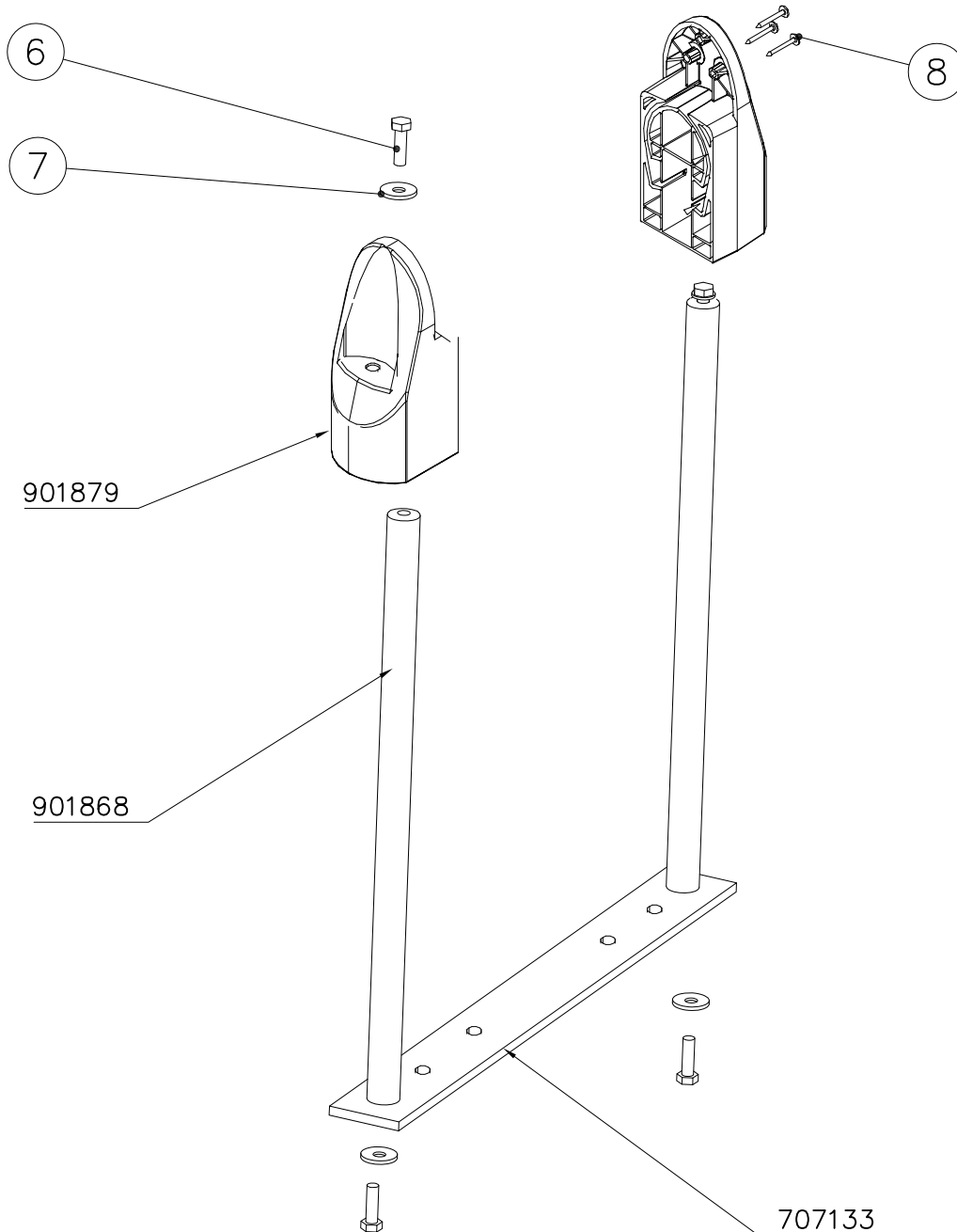
## DEEP FOUNDATION

# SLIDE WOOD

DATE: 3.11.2017

4(5)

○ 707133	PCS	○ 901868	PCS	○ 901879	PCS	⑥ 909210	PCS	⑦ 905051	PCS	⑧ 980128	PCS
	1		2		2		4		4		6
10x80x745		Ø30x598				M8x40		Ø24/8.4		Ø7x40	





DET 6



Insert sheet metal IN to the plastic cover.

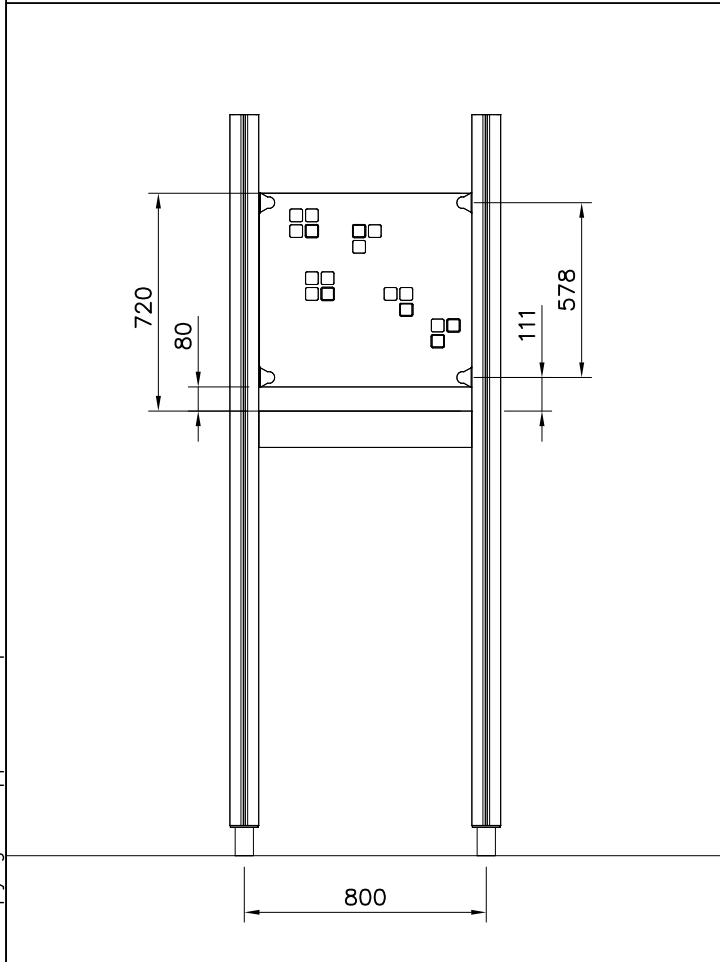
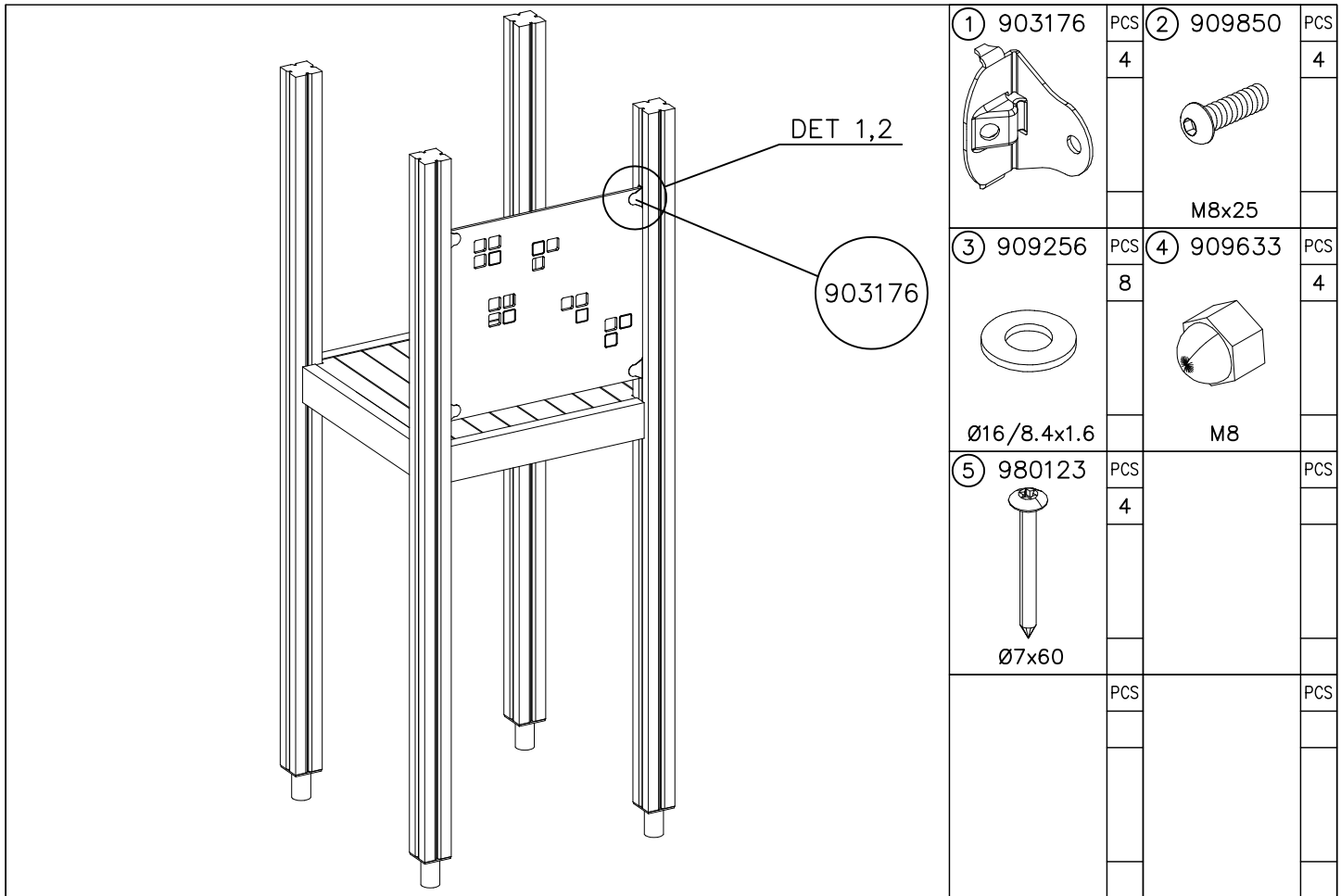


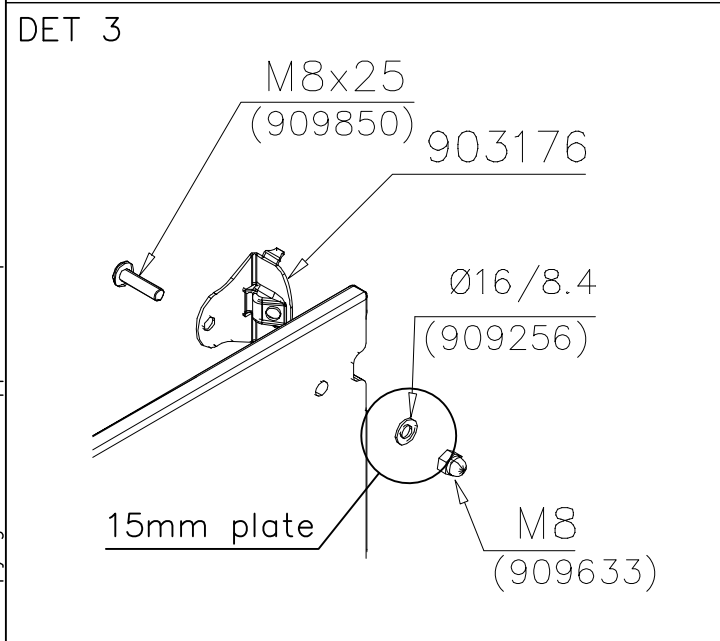
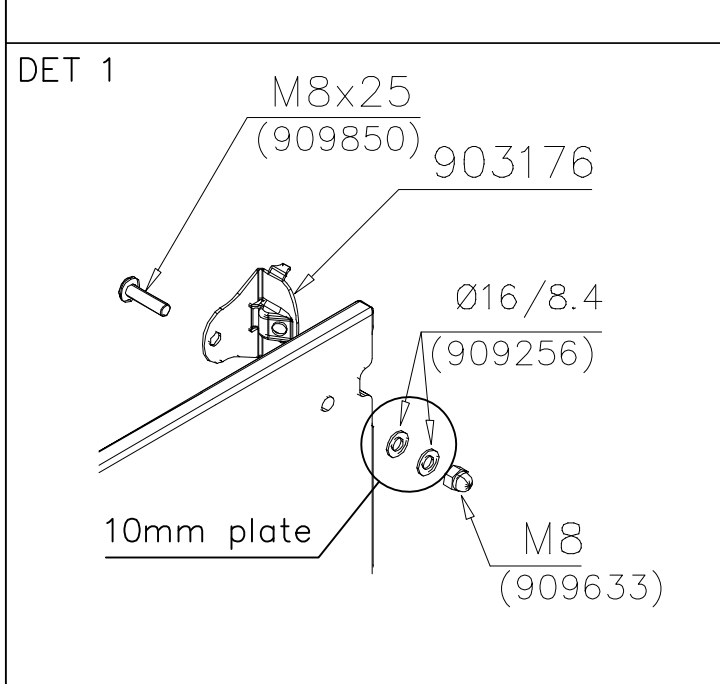
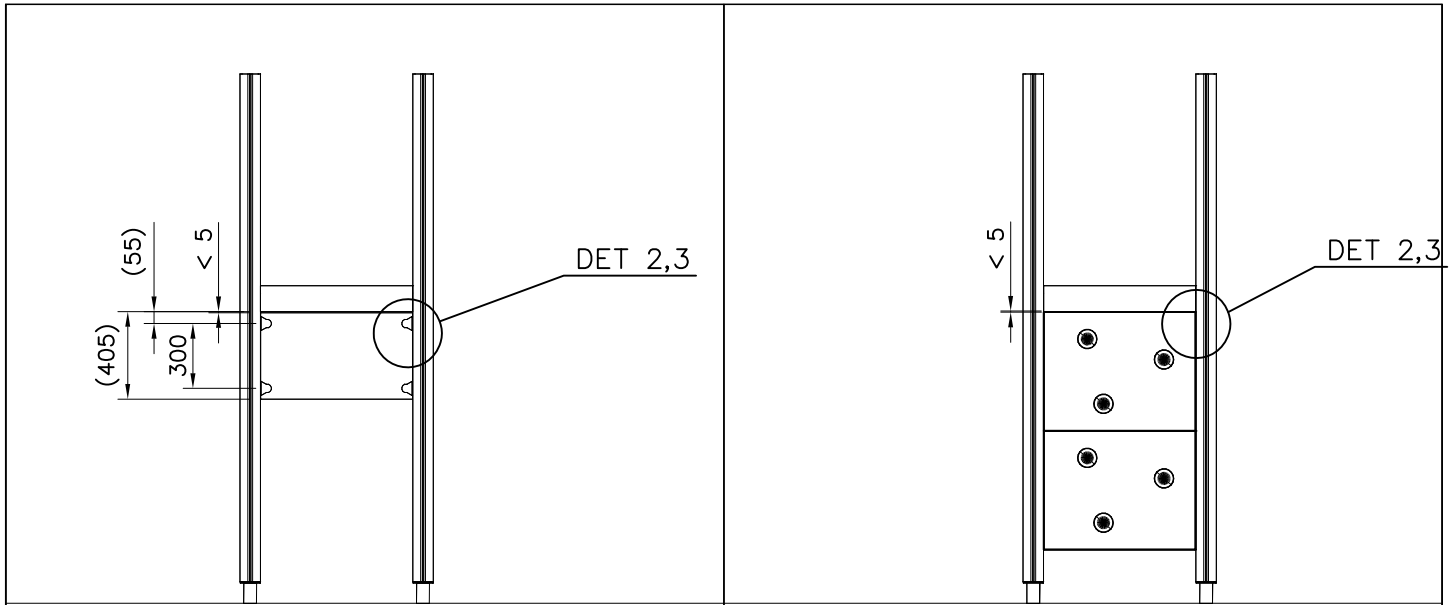
DET 7

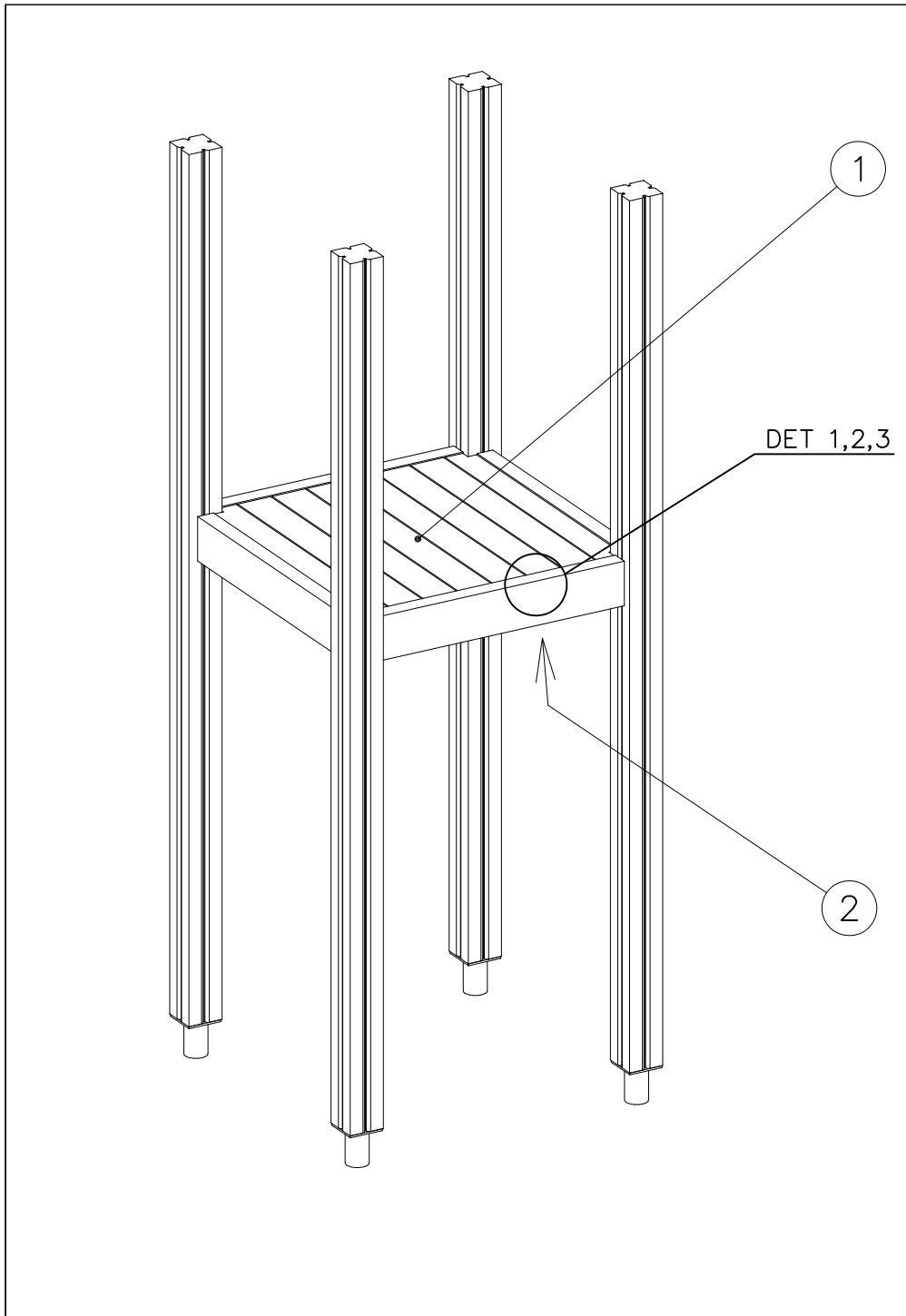


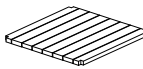
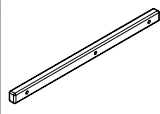
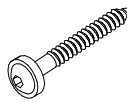

DET 8









① 008986	PCS	② 706443	PCS
	1		2
750x750		32x45x702	
③ 900240	PCS	④ 980101	PCS
	6		8
Ø8x70		Ø4.5x70	
	PCS		PCS
	PCS		PCS
	PCS		PCS

DET 1

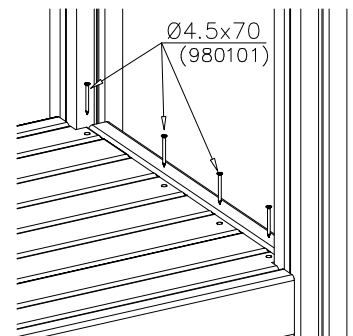


DET 2

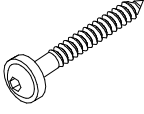
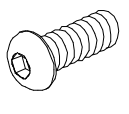


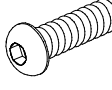

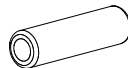




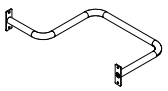
Naulanauha kannatinlistan puolelle.  
Nail list to the bottom.



DET 3





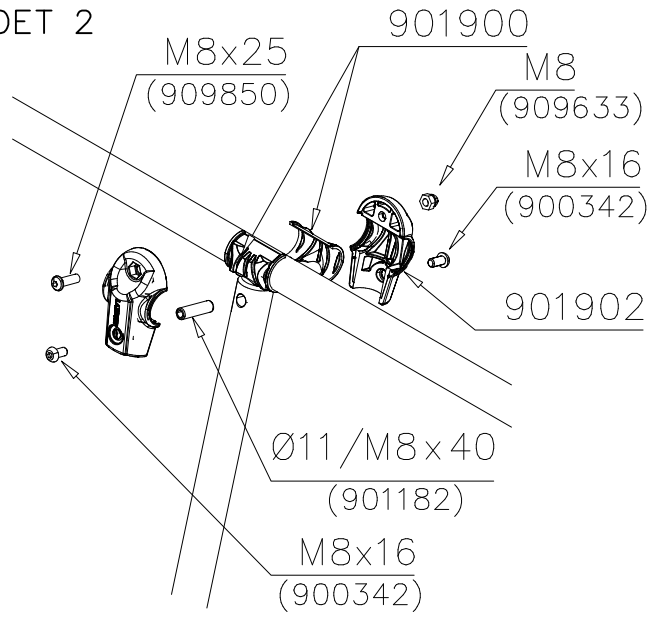
① 900240	PCS	② 900342	PCS
	4		2
Ø8x70		M8x16	
③ 901900	PCS	④ 901939	PCS
	2		1
20.5x36.2x56		M12x70	
⑤ 909850	PCS	⑥ 980150	PCS
	1		1
M8x25		M8	
⑦ 901182	PCS	⑧ 901902	PCS
	1		2
Ø11/M8x40		30.7x60.9x100	
	PCS		PCS
	PCS		PCS
○ 907829	PCS	○ 907698	PCS
	1		1
Ø33,7x1454		Ø33,7x2054	
○ 907817	PCS	○ 907695	PCS
	1		1
Ø33,7x2554			



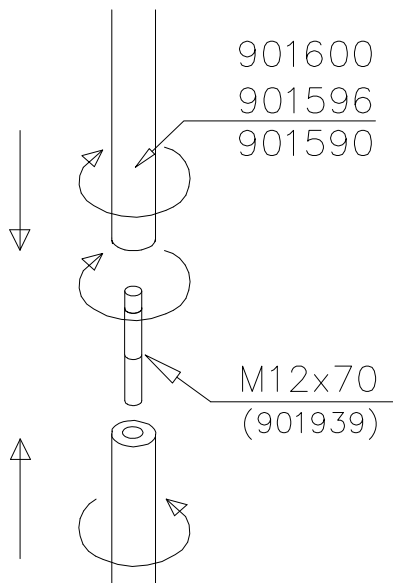
DET 1



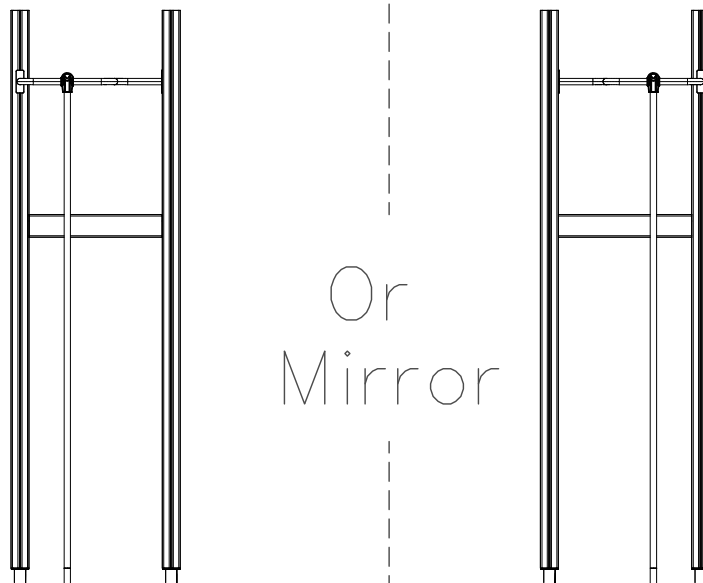
DET 2

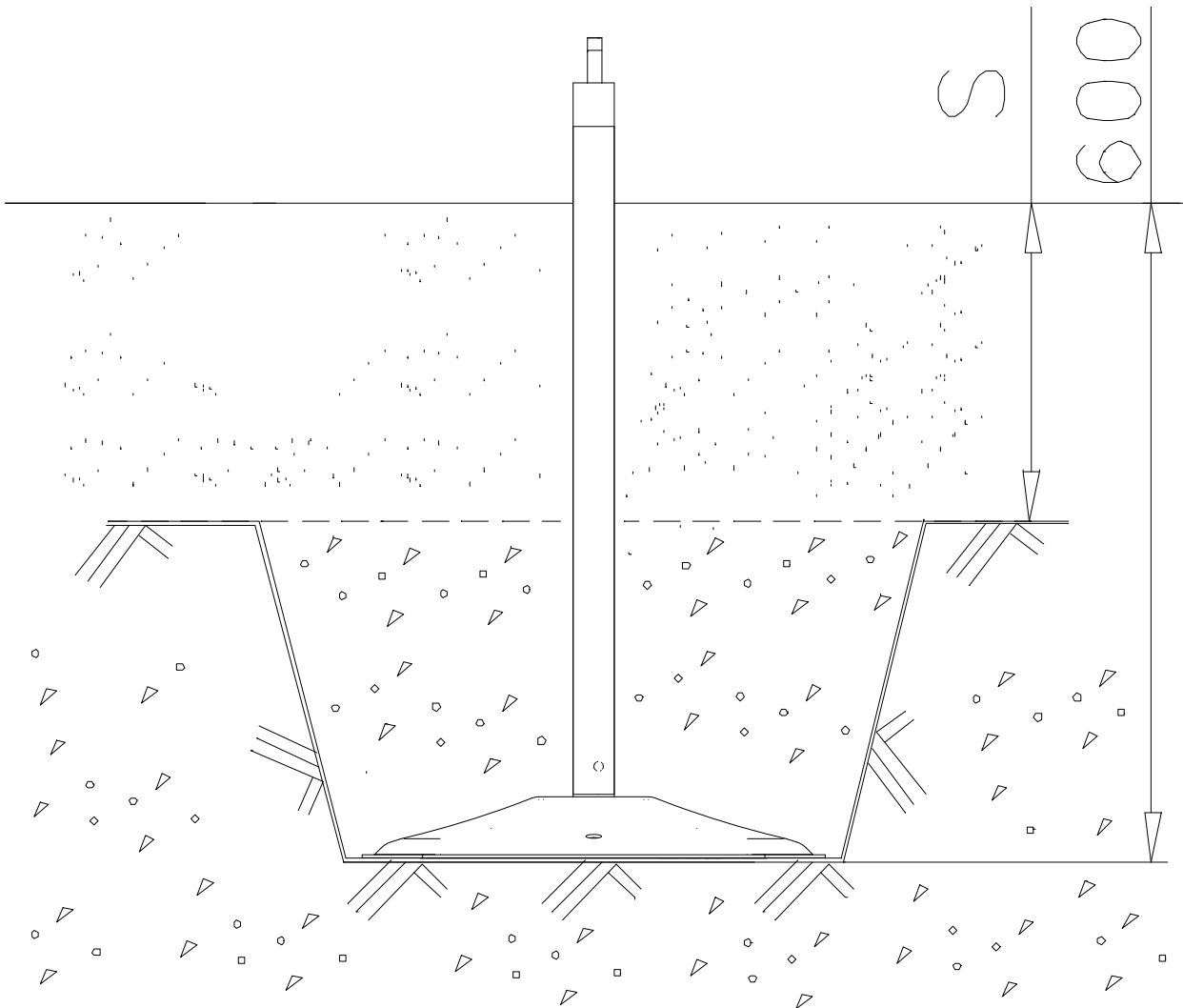
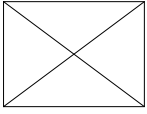


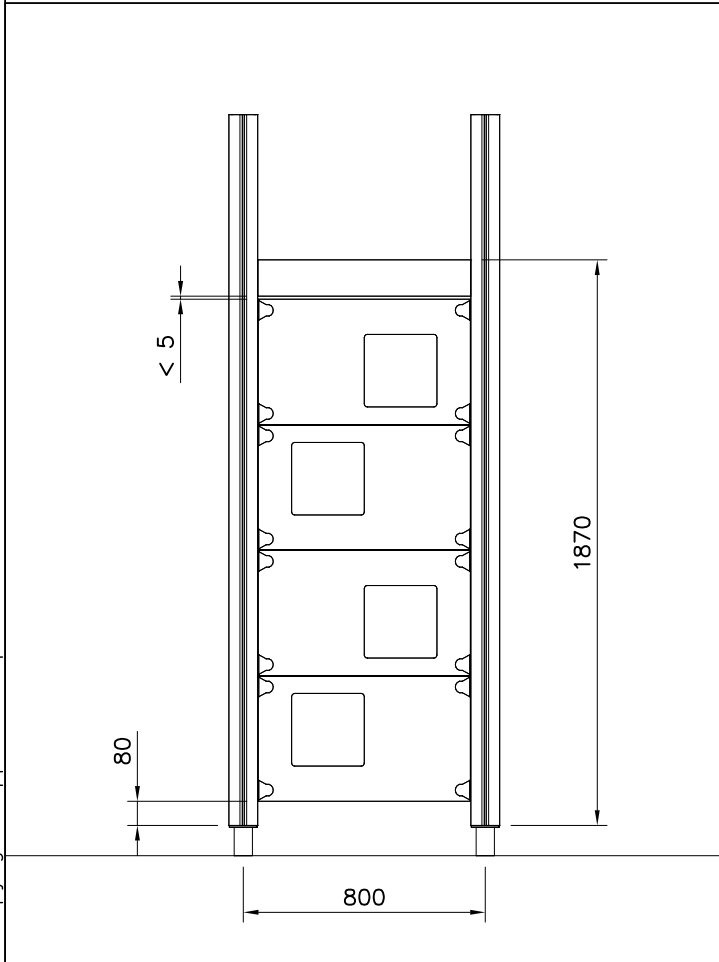
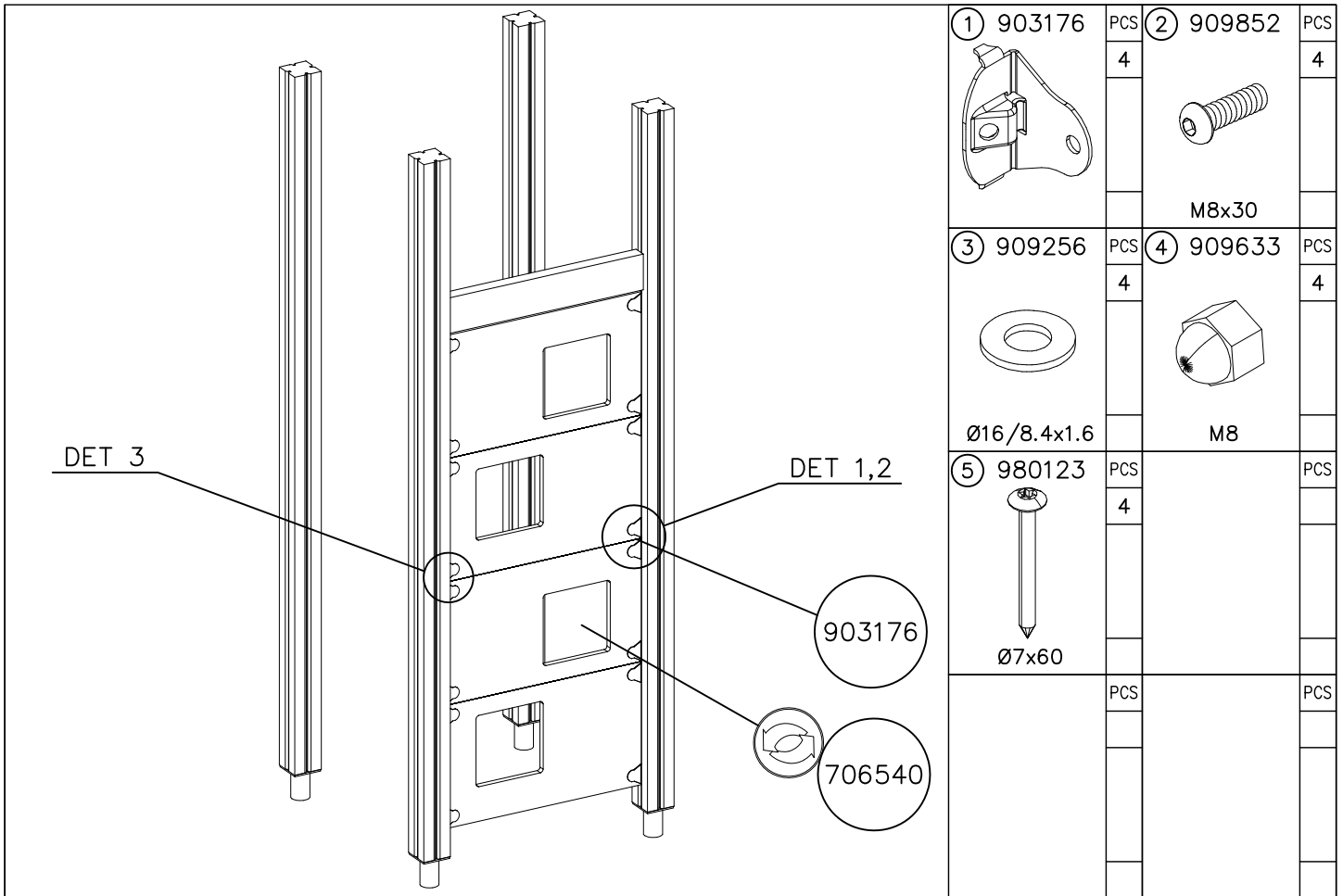
DET 3

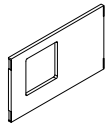


DET 4



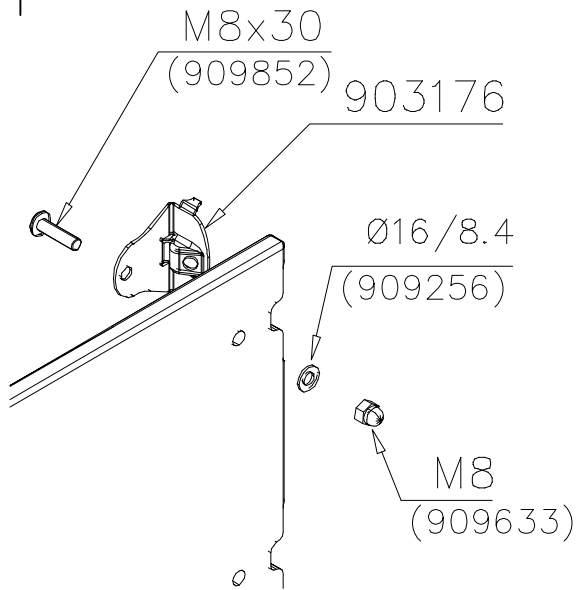




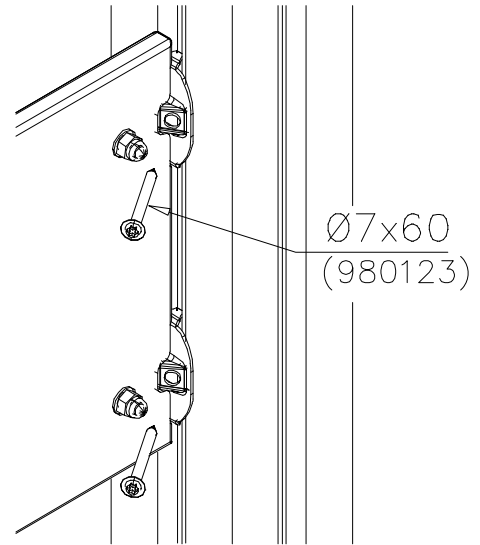
WALL OPTIONS		
706540	706540-701	BLUE
 20x702x415	706540-702	YELLOW
	706540-703	LIME
	706540-704	DARK GRAY
	706540-705	LIGHT GRAY
	706540-706	RED
	706540-707	GREEN
	706540-708	FUXIA



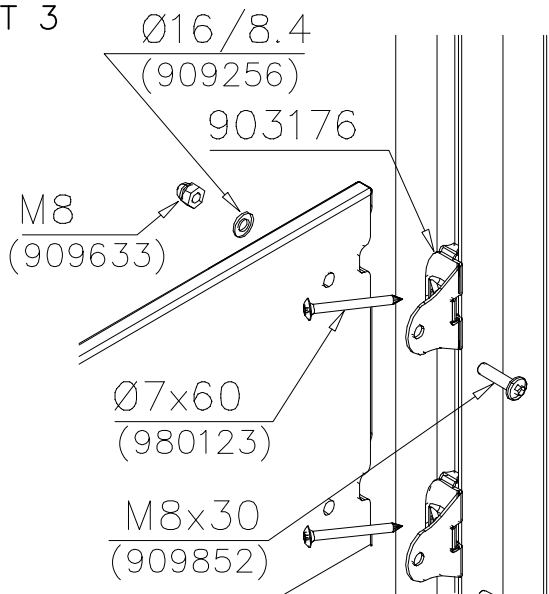
DET 1

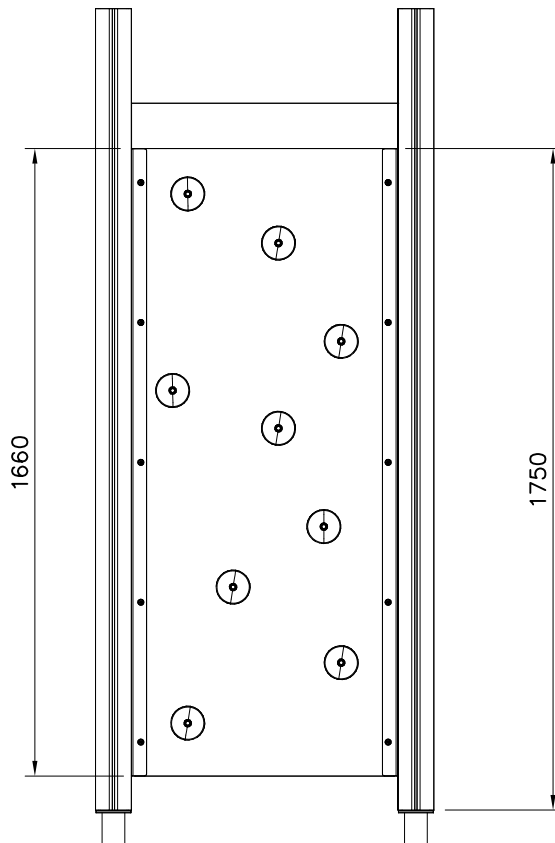
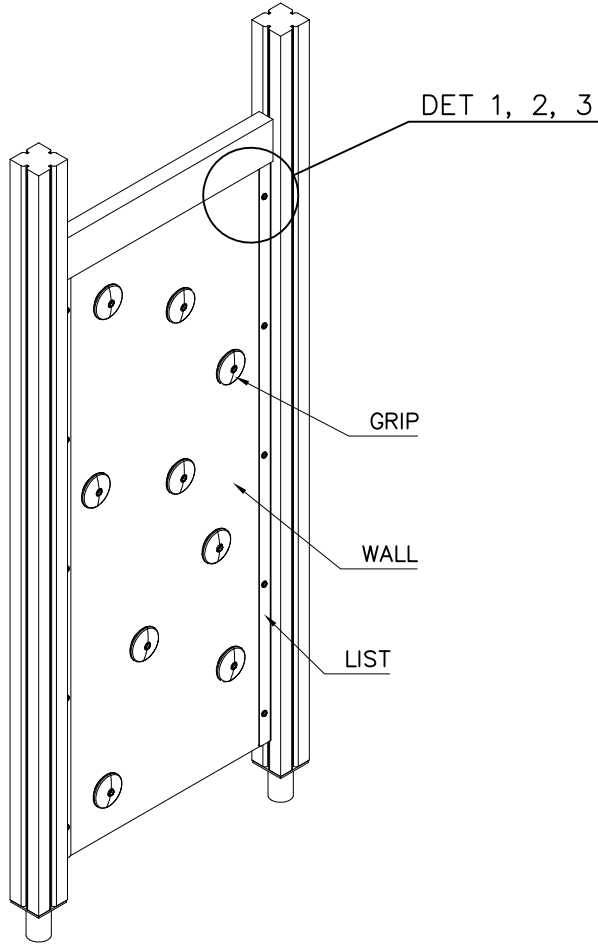


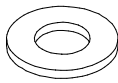
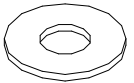
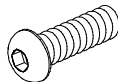
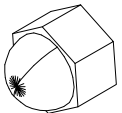
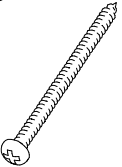

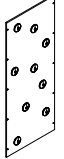
DET 2



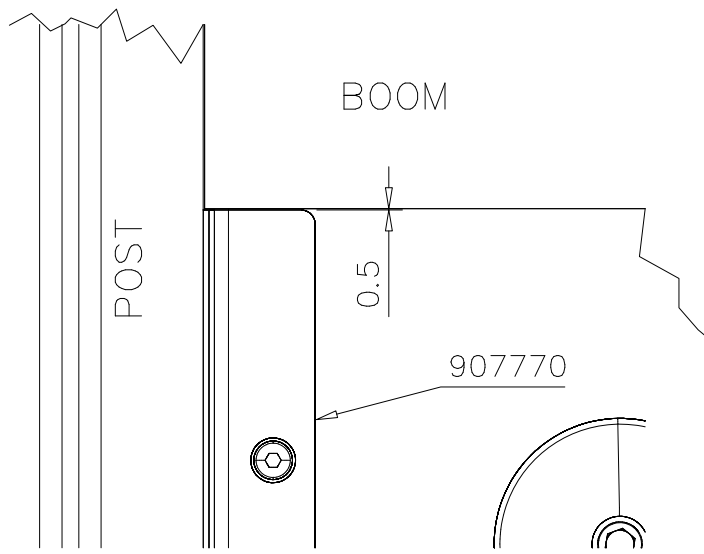
DET 3



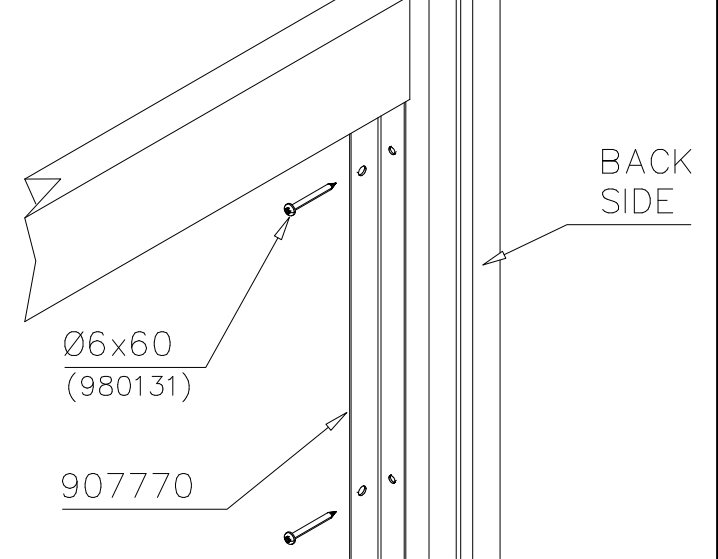


① 909256	PCS	② 980152	PCS
	10		10
Ø16/8.4x1.6		Ø24/8.4x2	
③ 909850	PCS	④ 909633	PCS
	10		10
M8x25		M8	
	PCS	⑤ 980131	PCS
			10
		Ø6x60	
	PCS		PCS
	PCS		PCS
	PCS		PCS
○ 907770	PCS	○ 706646 + grips	PCS
	2		1
2x35/40x1659			
	PCS		PCS

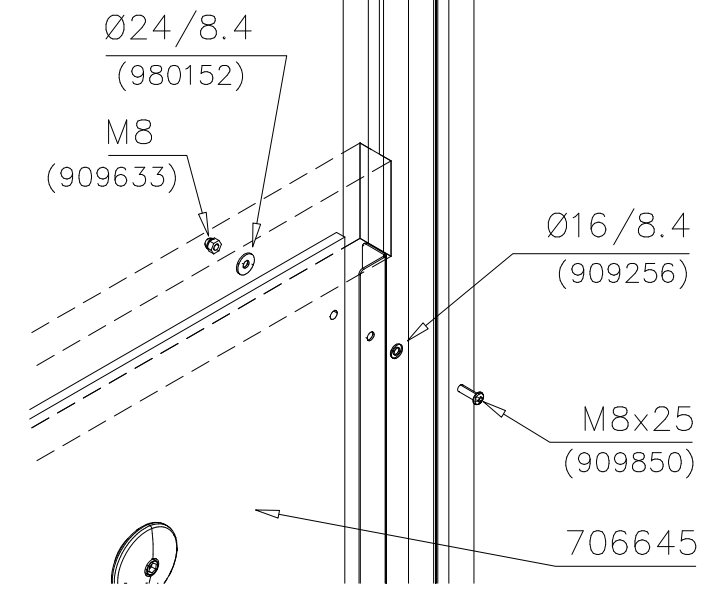
DET 1

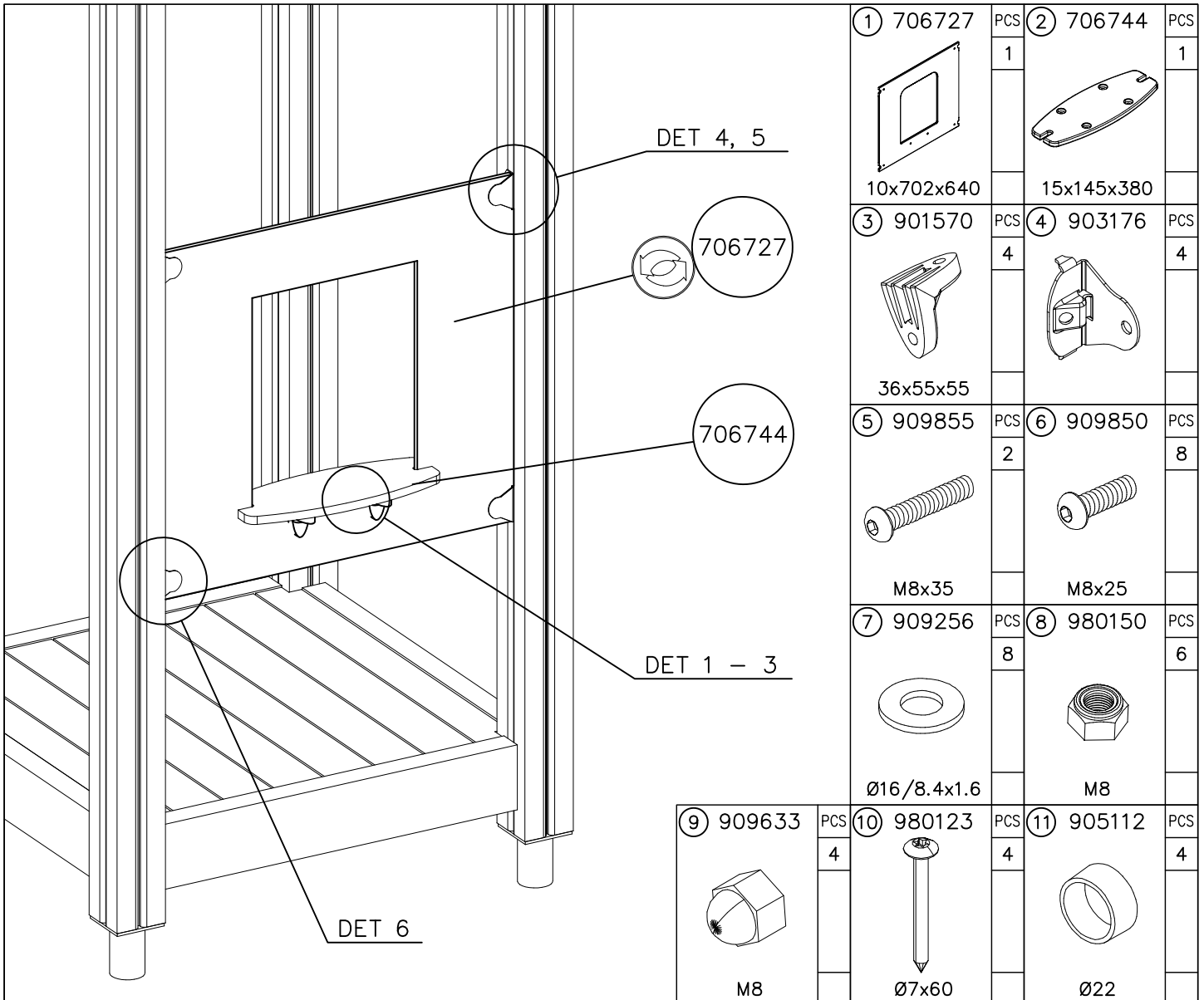


DET 2

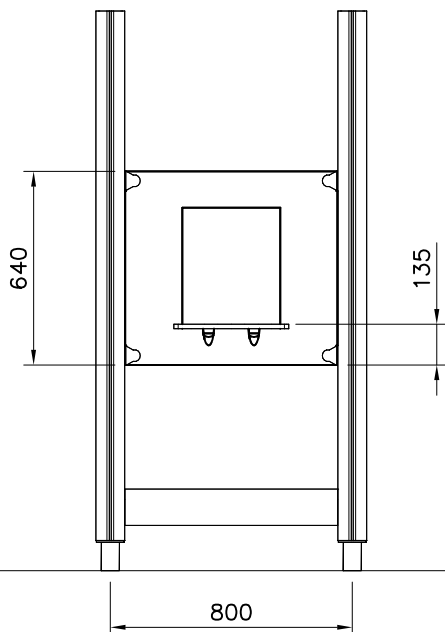


DET 3





① 706727	PCS	② 706744	PCS
	1		1
10x702x640		15x145x380	
③ 901570	PCS	④ 903176	PCS
	4		4
36x55x55			
⑤ 909855	PCS	⑥ 909850	PCS
	2		8
M8x35		M8x25	
⑦ 909256	PCS	⑧ 980150	PCS
	8		6
Ø16/8.4x1.6		M8	
⑨ 909633	PCS	⑩ 980123	PCS
	4		4
M8		Ø7x60	
		⑪ 905112	PCS
			4
		Ø22	

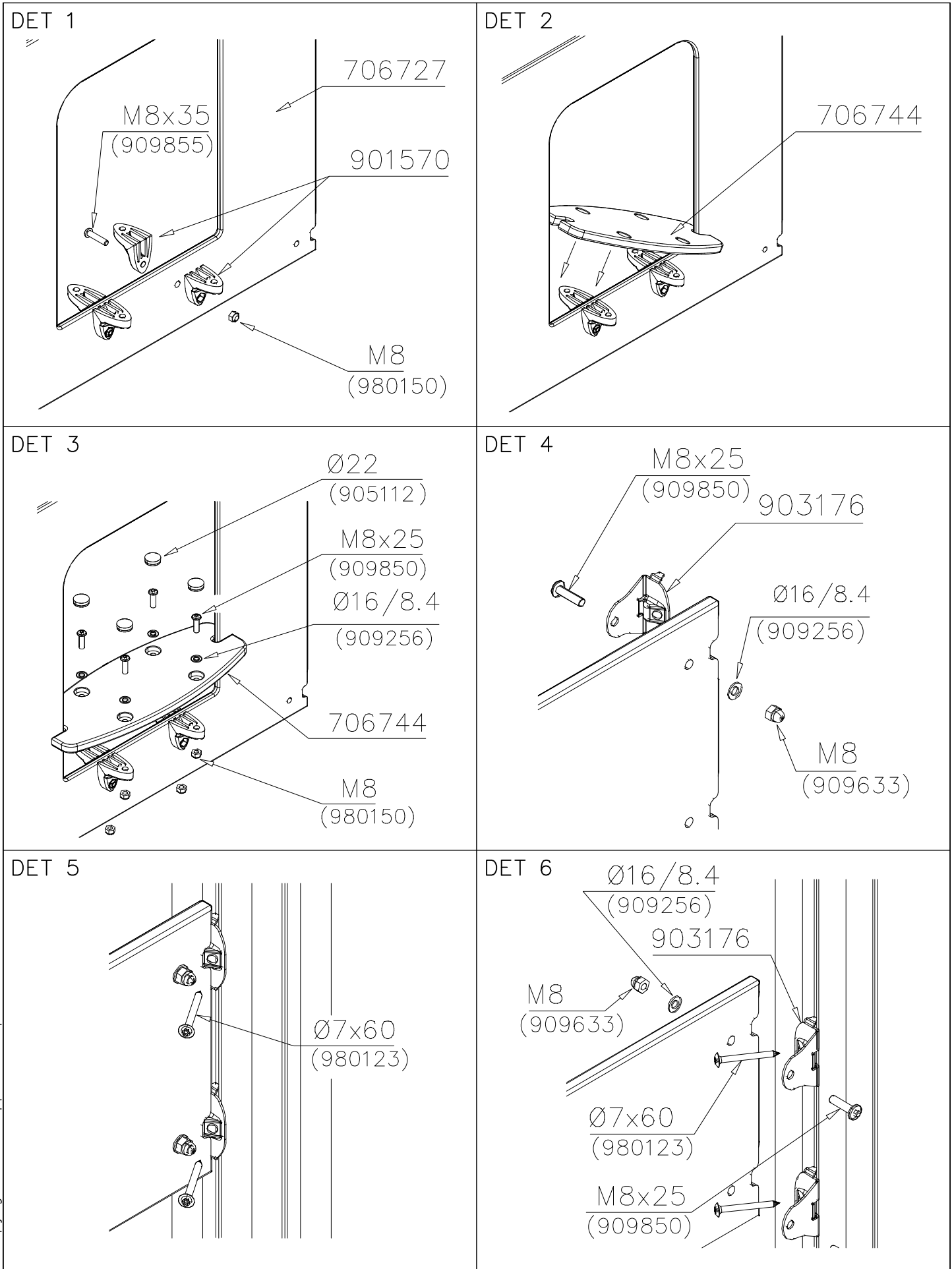


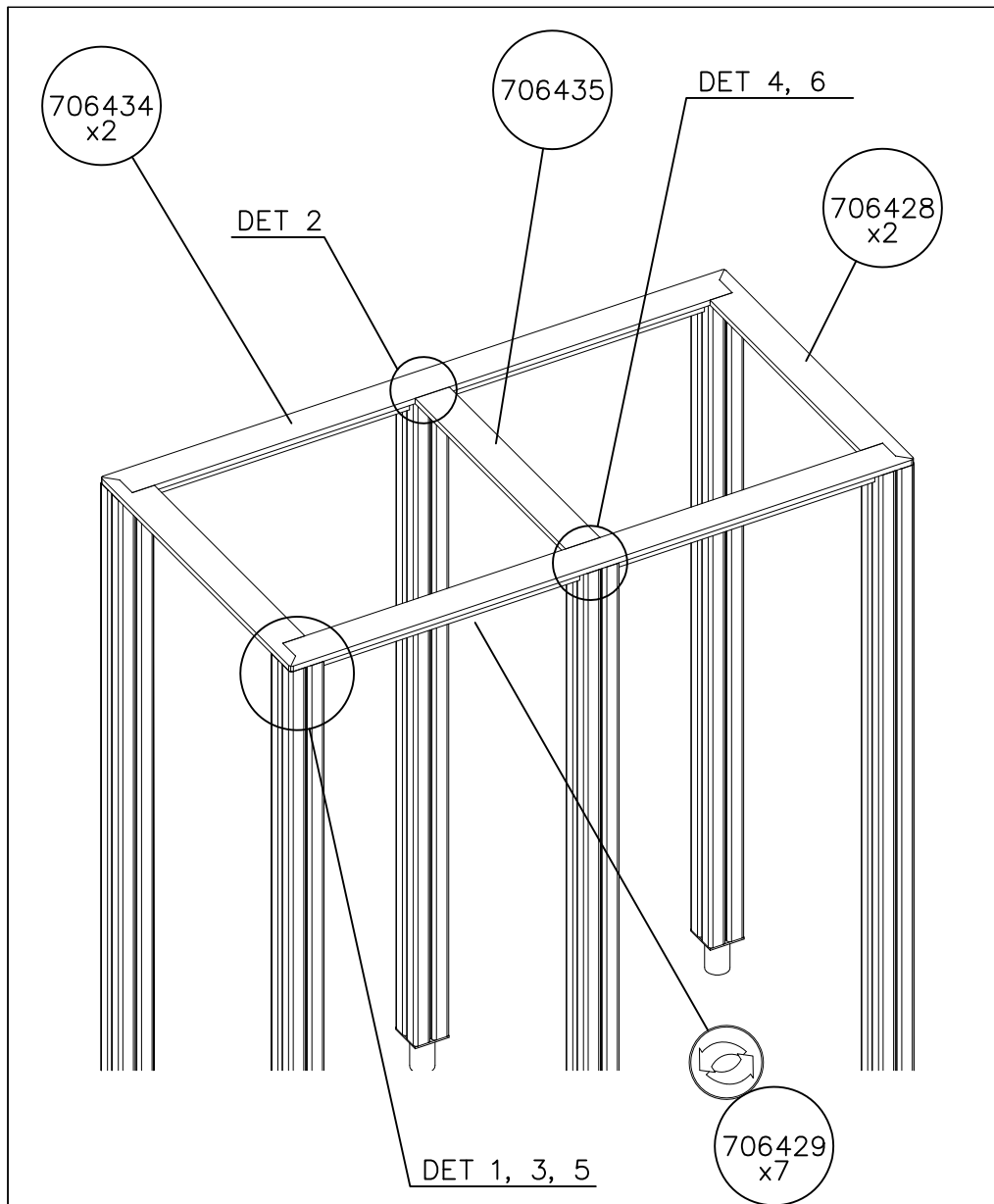
### WALL OPTIONS

706727	706727-701	BLUE
	706727-702	YELLOW
10x640x702	706727-703	LIME
	706727-704	DARK GRAY
	706727-705	LIGHT GRAY
	706727-706	RED
	706727-707	GREEN
	706727-708	FUXIA

### WALL OPTIONS

706744	706744	DARK GRAY
15x145x380		

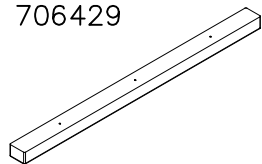




① 706428	PCS	② 706434	PCS
	2		2
15x93x888.5		15x93x1688.5	
③ 706435	PCS	④ 706429	PCS
	1		7
15x93x793.5		32x45x705	
⑤ 900850	PCS	⑥ 907911	PCS
	10		10
M6		M6x12	
⑦ 980123	PCS	⑧ 980128	PCS
	10		21
Ø7x60		Ø7x40	
	PCS		PCS

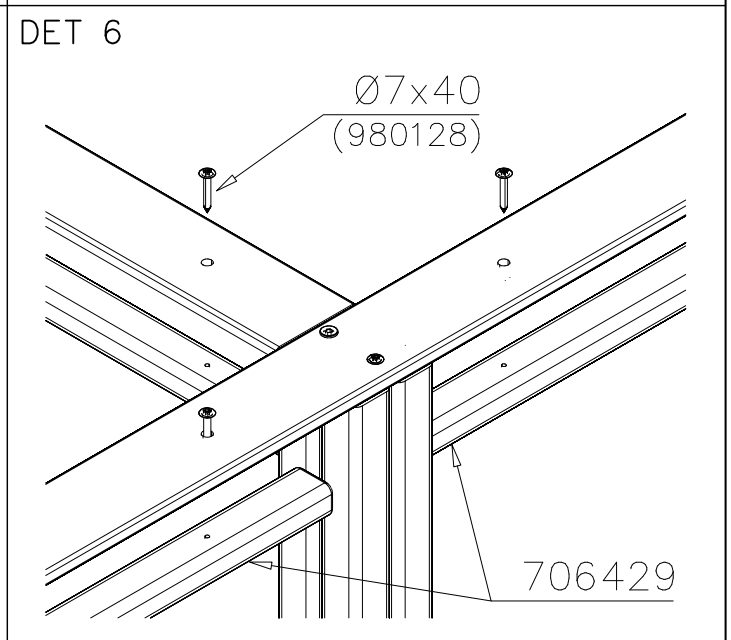
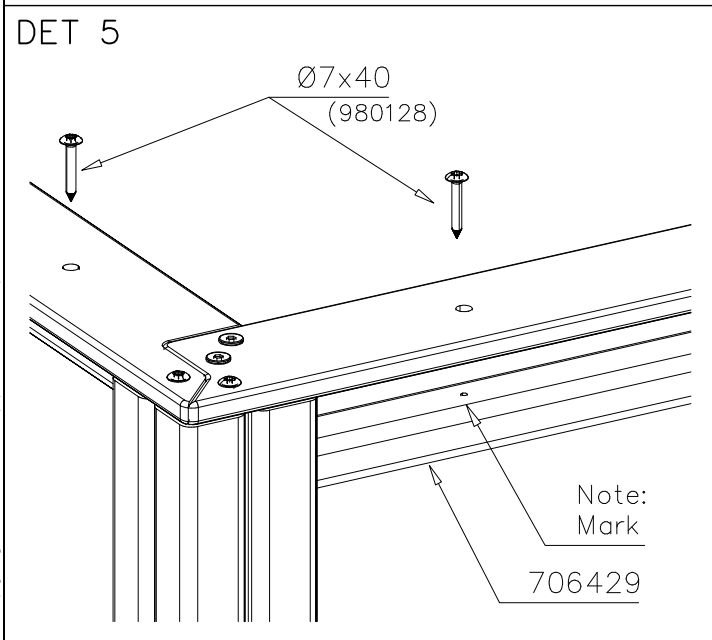
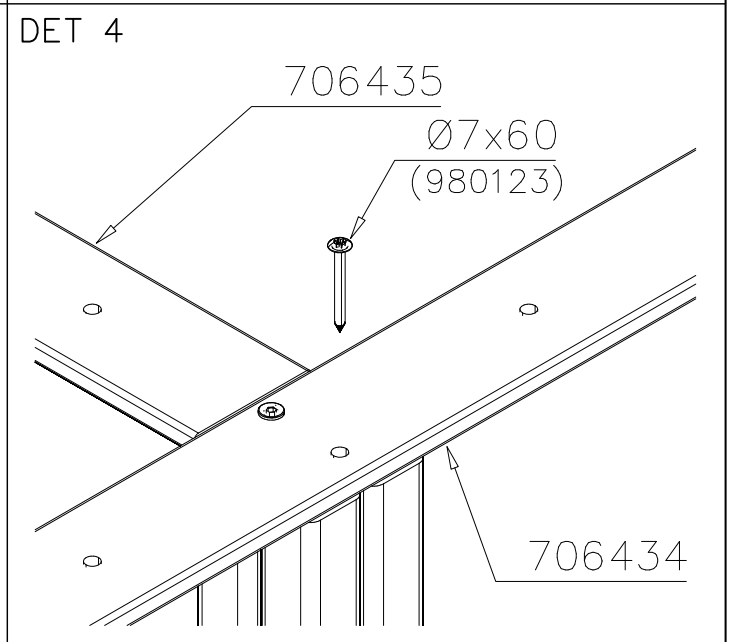
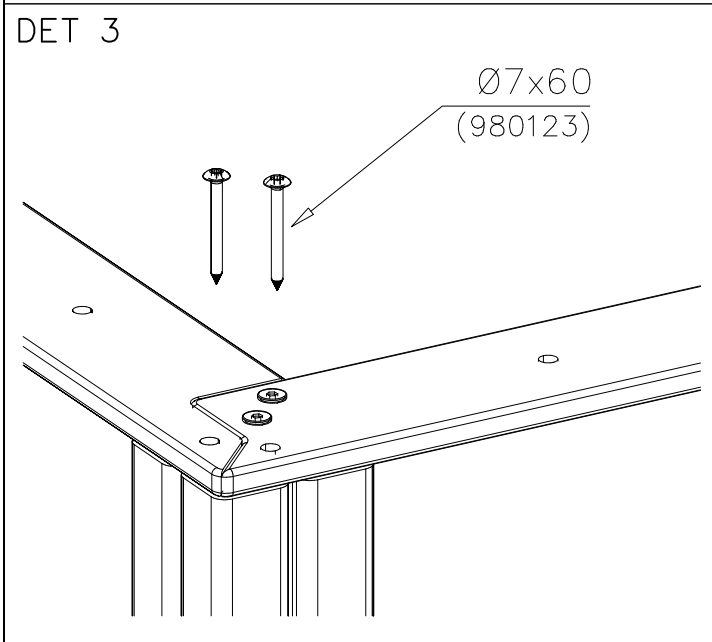
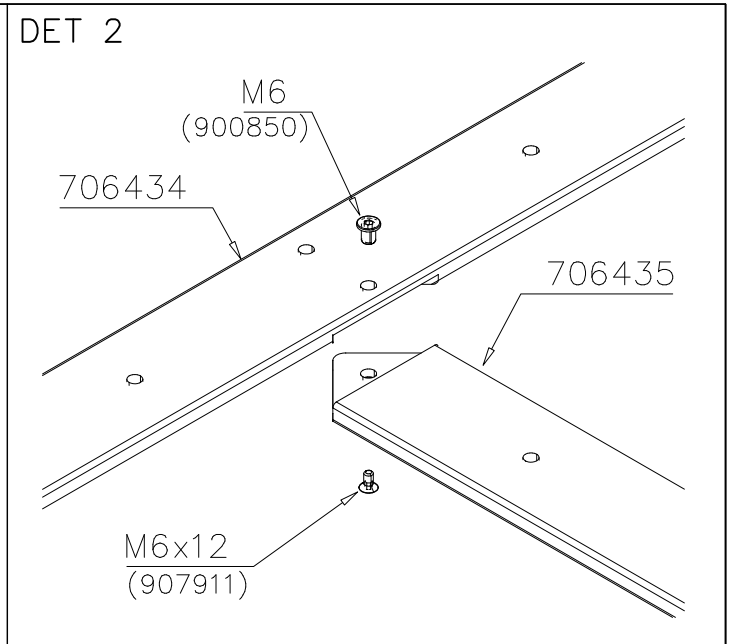
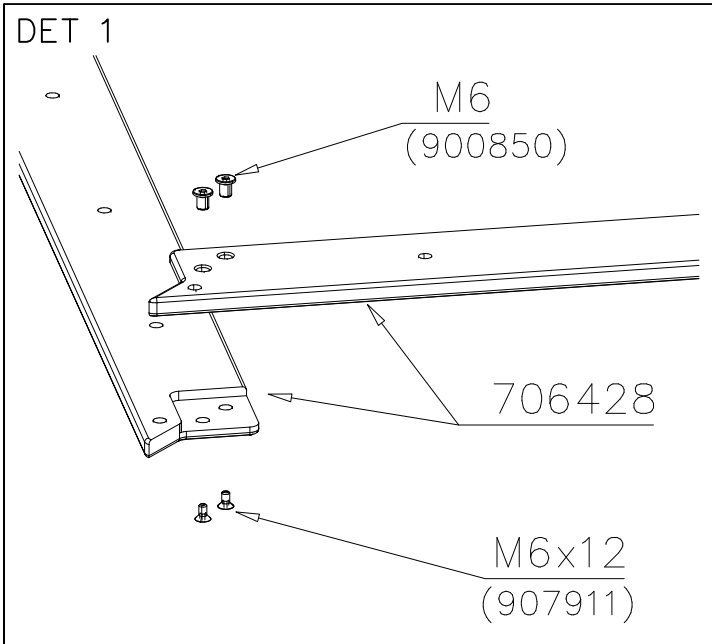
### STRIP OPTIONS

706429



32x45x705

706429-602 DARK BROWN  
706429-603 LIGHT BROWN  
706429-604 LIGHT GRAY





## Tuotekyltti tulee tuotteen mukana yhdellä seuraavista tavoista:

### 1) Metallinen tuotekyltti ja kiinnitysruuvit

- Kiinnitä tuotekyltti ruuveilla tolppaan noin 2 metrin korkeuteen kuvan 1 mukaisesti.

### 2) Tuotekylttitarra

- Puhdista maalattu metalli- tai vaneripinta pölystä ja kosteudesta. Liimaa tarra kuvan 2 mukaisesti.
- Huom. Älä kiinnitä tarraa karheapintaiseen laminaattiin tai maalattuun puuhun.

## Vår produktmärkning levereras på ett av följande sätt:

### 1) Produktskylt i metall

- Fäst skylten med de medföljande skruvarna

### 2) Självhäftande produktetikett

- Rengör den pulverlackerade metallytan eller laminatyten så att den blir fri från smuts och fukt. Fäst etiketten enligt fig. 2.
- Obs! Fäst ej etiketten på detaljer med skrovlig yta eller på målat trä.

## Product label is delivered by one of following ways:

### 1) Metal product label and screws

- Fasten the label with screws.

### 2) Label sticker

- Clean the painted metal or plywood surface from dirt and moisture. Fasten the sticker as shown in the figure 2.
- Note. Do not attach the sticker to rough surfaced laminate or painted wood.

## La plaque d'informations produit est livrée sous l'une de ces 3 formes :

### 1) Plaque métallique et vis

- Fixez la plaque à l'aide des vis.

### 2) Etiquette autocollante

- Avant de coller l'étiquette, nettoyez le composant métallique peint ou la plaque de contreplaqué, de toute saleté. La surface doit être sèche (voir image 2).
- Attention, ne pas coller l'étiquette sur une surface lamellé-collée irrégulière ou sur du bois peint.

## Die Auslieferung des Produktaufklebers erfolgt auf eine dieser Arten:

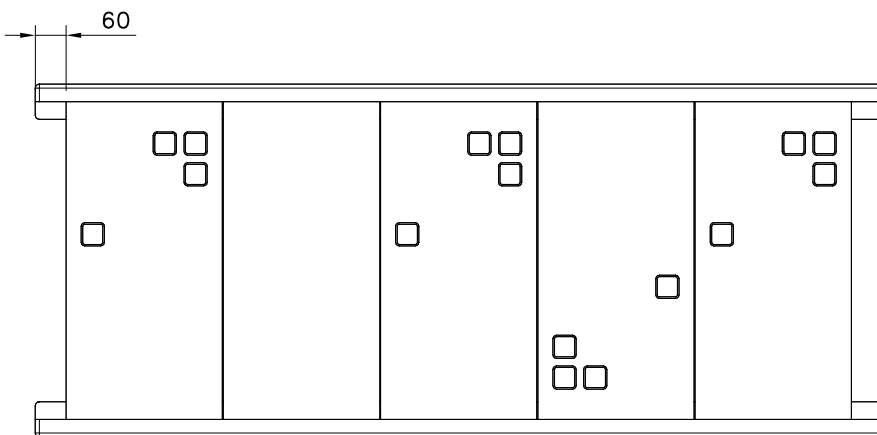
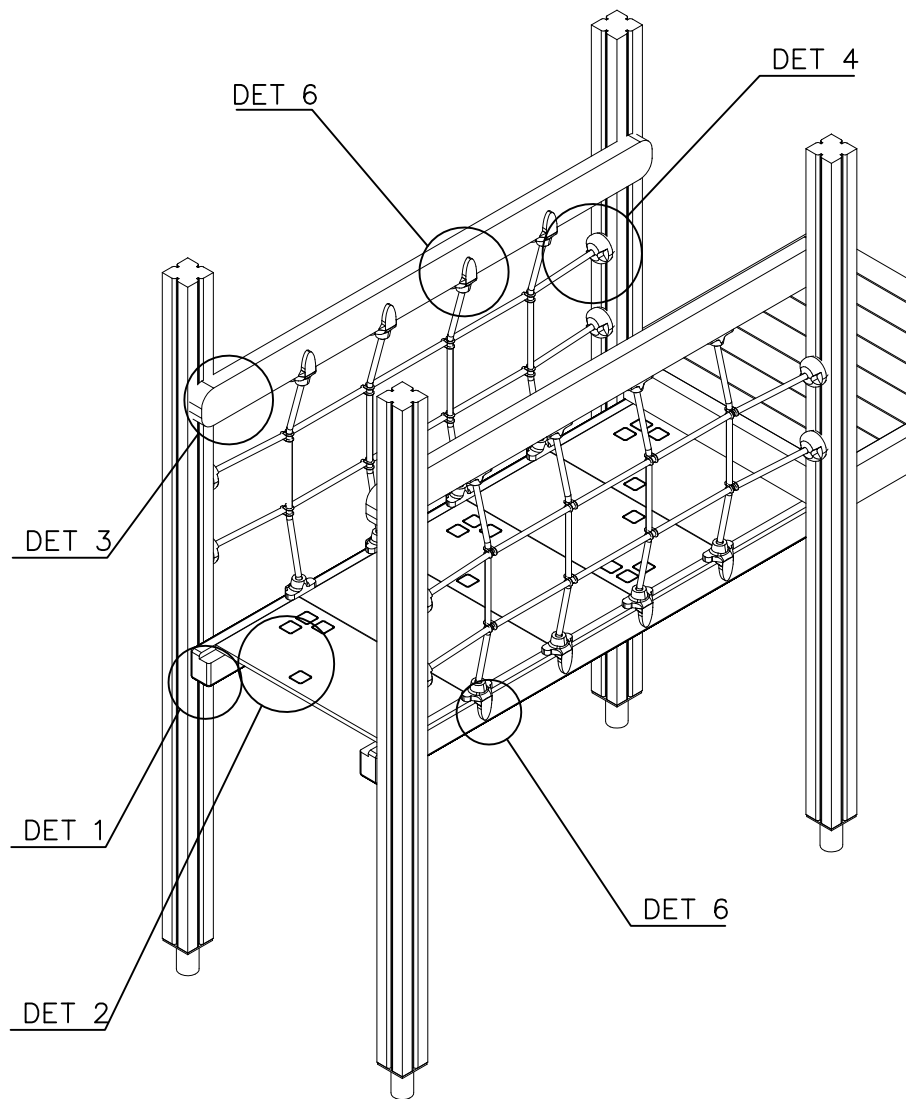
### 1) Produkt-Schild aus Metall incl. Schrauben



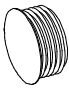







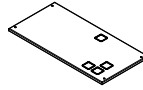
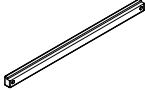
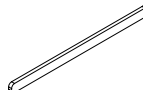
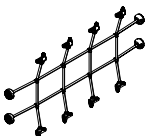
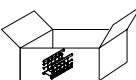
- Die Befestigung des Schildes erfolgt mittels der Schrauben.

### 2) Aufkleber

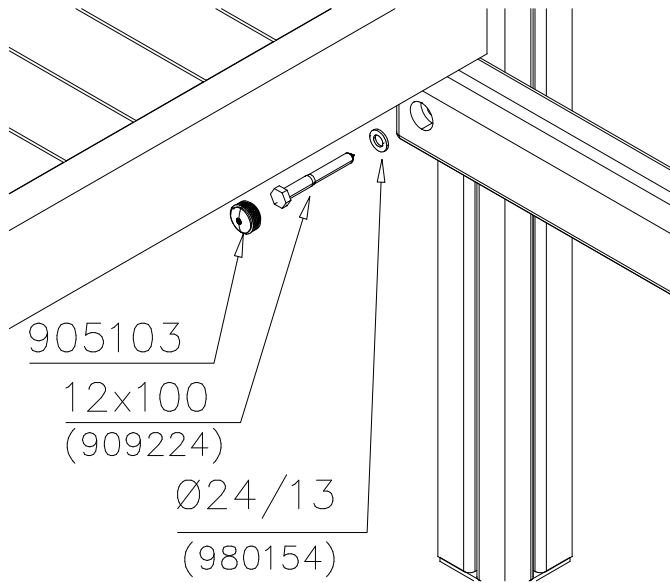
- Entfernen Sie zunächst Schmutz und Feuchtigkeit vom lackierten Metall bzw. von der Holzoberfläche und bringen Sie den Aufkleber wie im Bild oben rechts beschrieben auf den gesäuberten Untergrund auf.
- Beachten Sie: Bringen Sie den Aufkleber nicht auf raues laminiertes oder lackiertes Holz an.



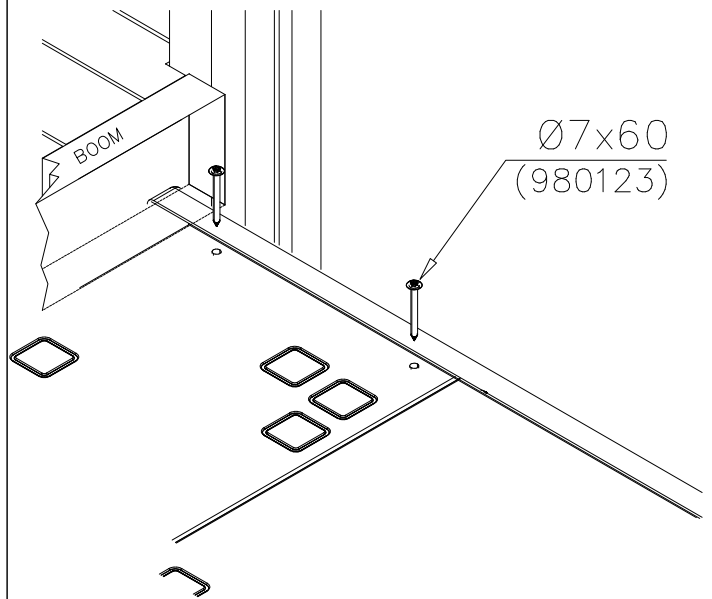


①	980154	PCS	②	909224	PCS
		4			4
	Ø24/13			12x100	
③	905103	PCS	④	980123	PCS
		4			32
	PT-28/32-H			Ø7x60	
⑤	980128	PCS	④	900240	PCS
		36			16
	Ø7x40			Ø8x70	
⑤	909232	PCS	⑥	905112	PCS
		4			4
	8x120			Ø22	
⑦	905083	PCS	⑧	980151	PCS
		4			4
	Ø32			Ø16/8.4	
○	707398	PCS	○	707399	PCS
		5			2
	15x630x310			70x95x1680	
○	707401	PCS	○	707402	PCS
		2			2
	45x120x1680			1505x720	
○	707405	PCS			PCS
		1			

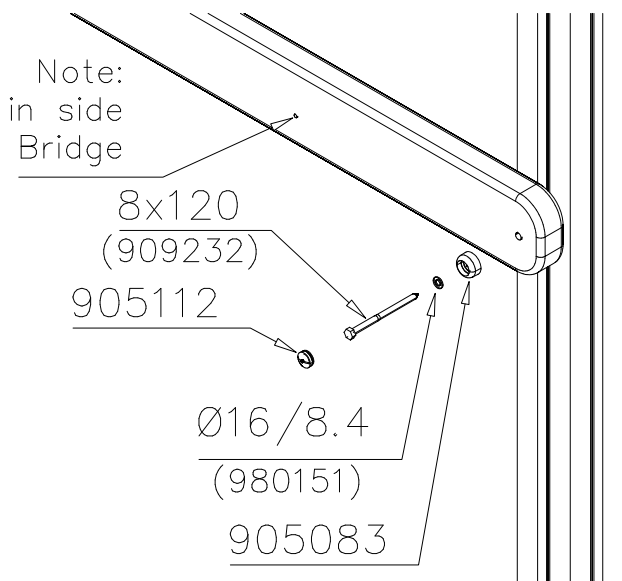
DET 1



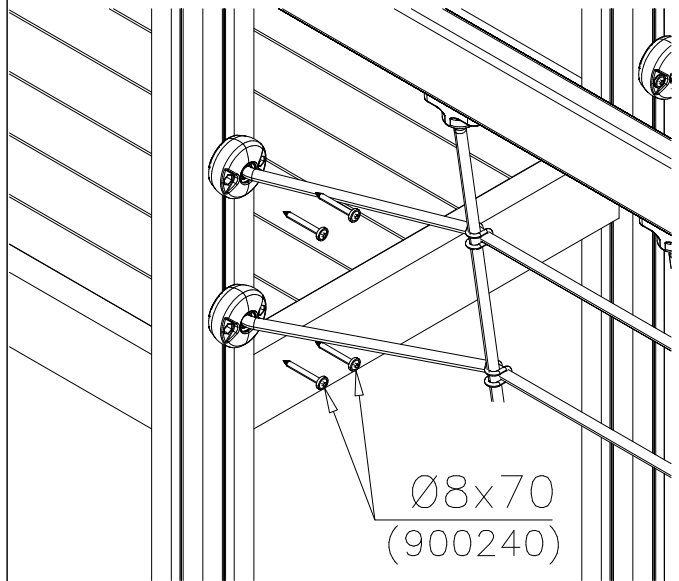
DET 2



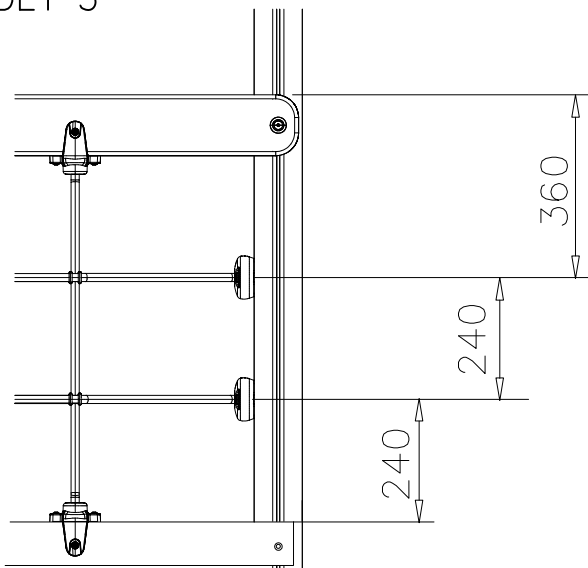
DET 3



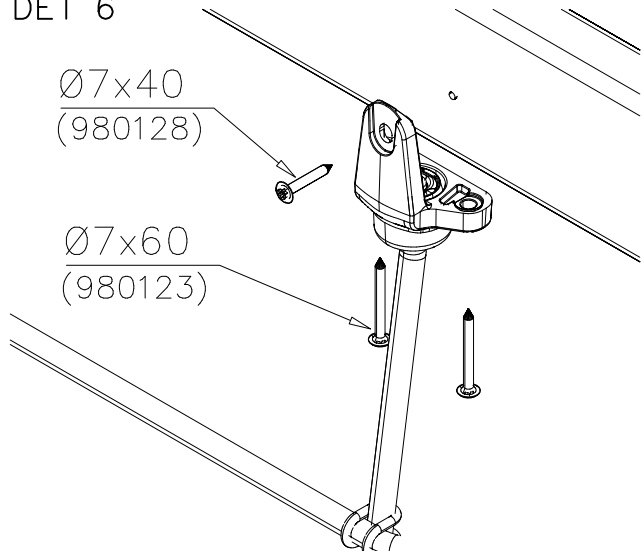
DET 4

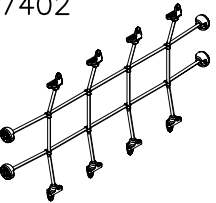
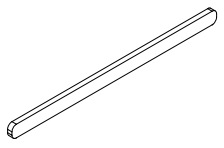
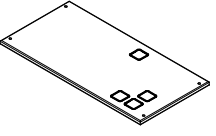
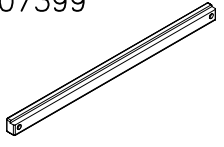


DET 5



DET 6



NET OPTIONS					
<p>707402</p>  <p>1505x720</p>	707402-301	BLUE			
	707402-302	RED			
	707402-303	BEIGE			
	707402-304	GRAY			
	707402-305	BLACK			
	RAILING OPTIONS				
<p>707401</p>  <p>45x120x1680</p>	707401-602	DARK BROWN			
	707401-603	LIGHT BROWN			
	707401-604	LIGHT GRAY			
	707401-605	DARK GRAY	707401-608	BLUE	
	707401-606	GRAY	707401-609	GREEN	
	707401-607	RED	707401-610	YELLOW	
			707401-611	LIME	
			707401-612	FUXIA	
	PLATE OPTIONS				
	<p>707398</p>  <p>15x630x310</p>	707272-701	BLUE	707272-707	GREEN
		707272-702	YELLOW	707272-708	FUXIA
		707272-703	LIME		
707272-704		DARK GRAY			
707272-705		GRAY			
707272-706		RED			
BOOM OPTIONS					
<p>707399</p>  <p>70x95x1680</p>		707271-602	DARK BROWN		
	707271-603	LIGHT BROWN			
	707271-604	LIGHT GRAY			

DET 1,2

① 903176	PCS	② 909850	PCS
	4		4
		M8x25	
③ 909256	PCS	④ 909633	PCS
	8		4
Ø16/8.4x1.6		M8	
⑤ 980123	PCS		PCS
	4		
Ø7x60			

\*Note:  
No gaps between:  
8–25mm  
89–230mm

800

80

\*Note

800

80

\*Note

COLOR OPTIONS	
-701	BLUE
-702	YELLOW
-703	LIME
-704	DARK GRAY
-705	LIGHT GRAY
-706	RED
-707	GREEN
-708	FUXIA

GAME WALL OPTIONS

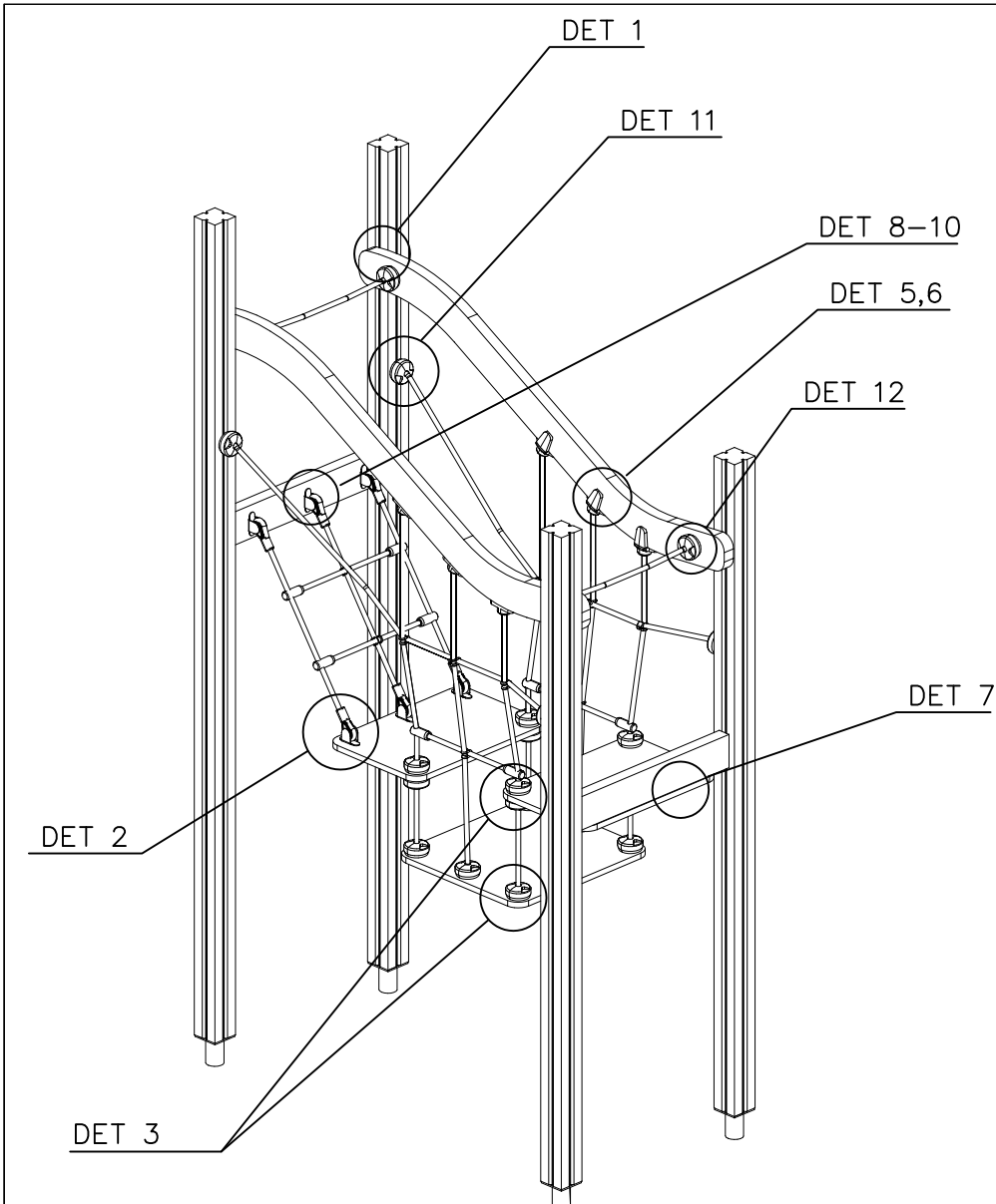
706766	706772	706308	707453
			
640x702	640x702	640x702	640x702
707209	705705	707433	707386
			
640x702	640x702	640x702	640x702
709403	709358	709405	
			
640x702	640x702	420x702	

DET 1



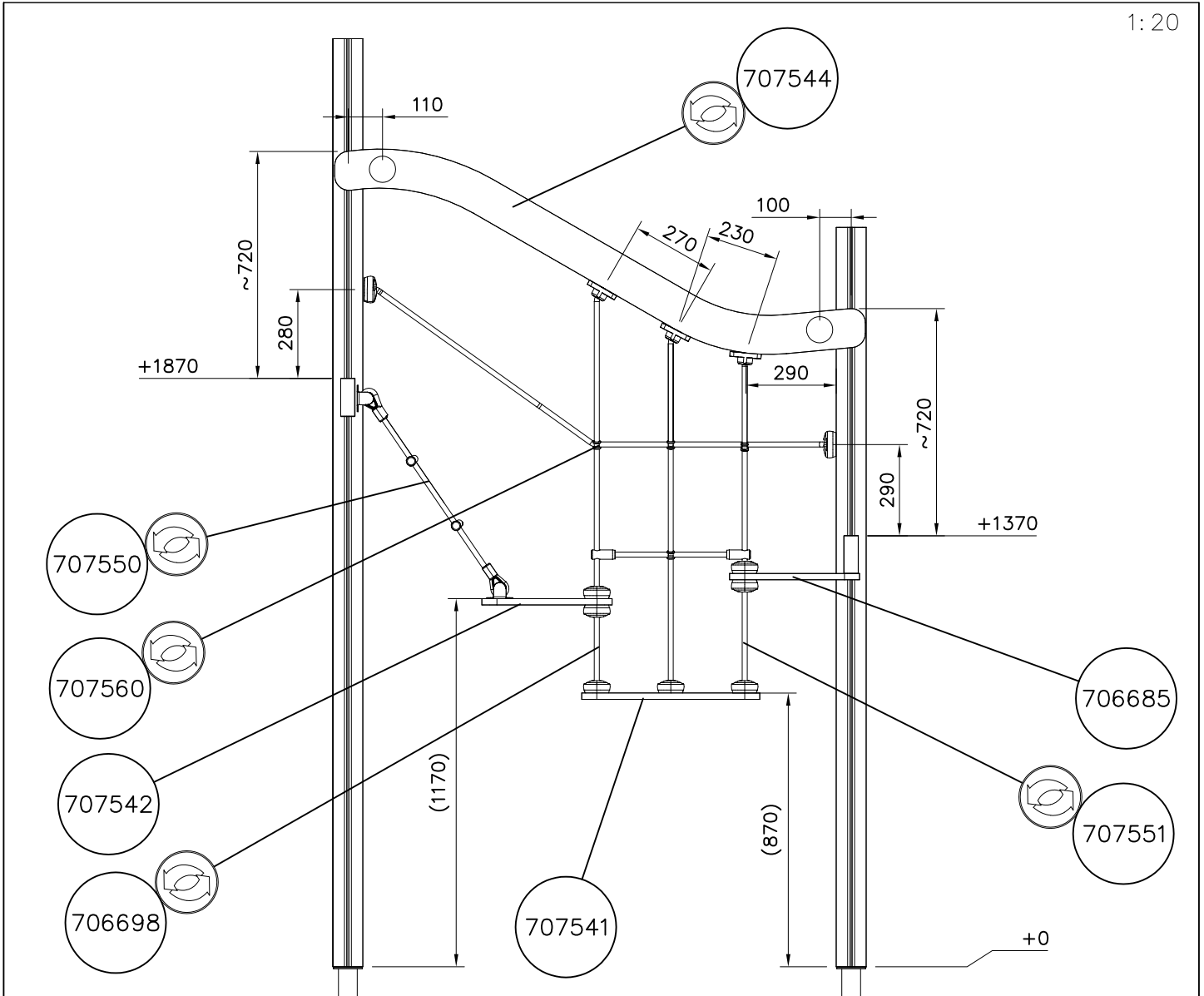
DET 2



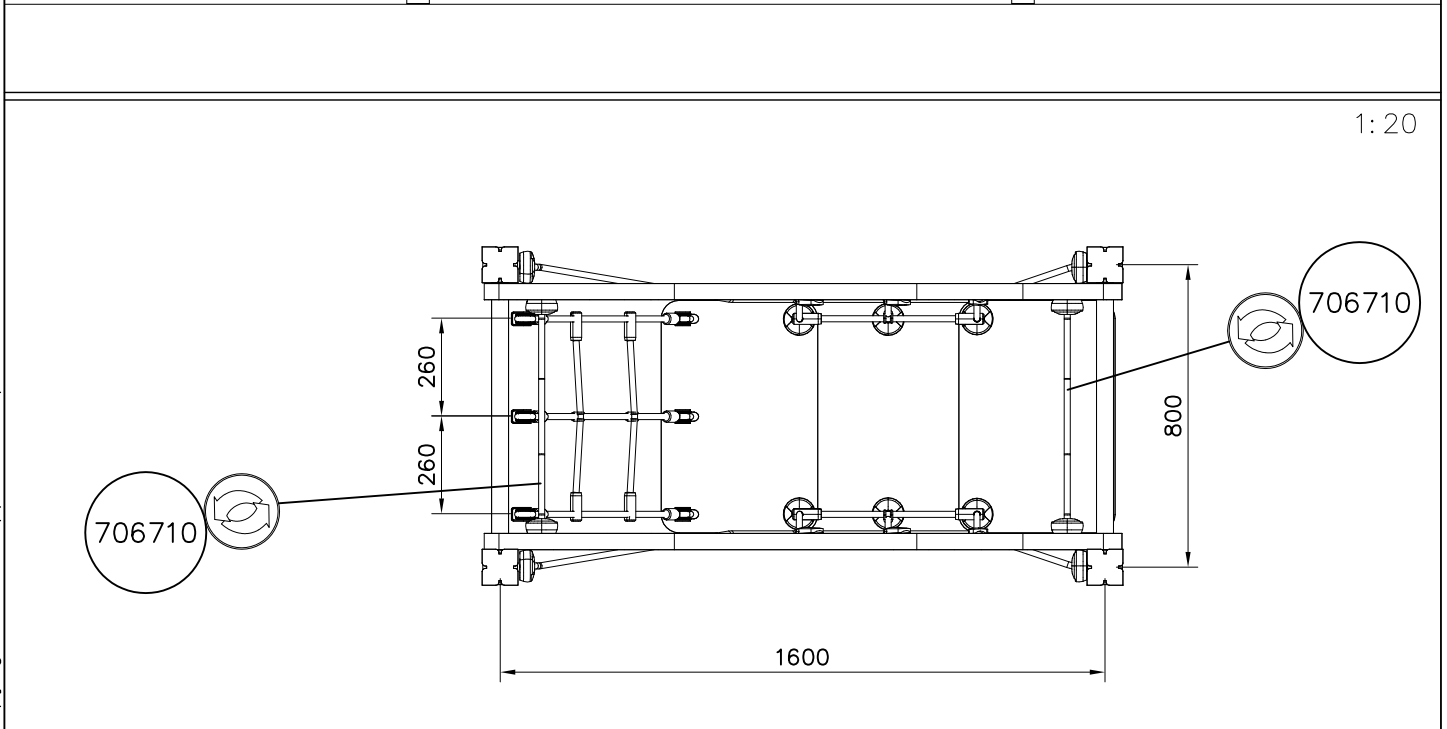


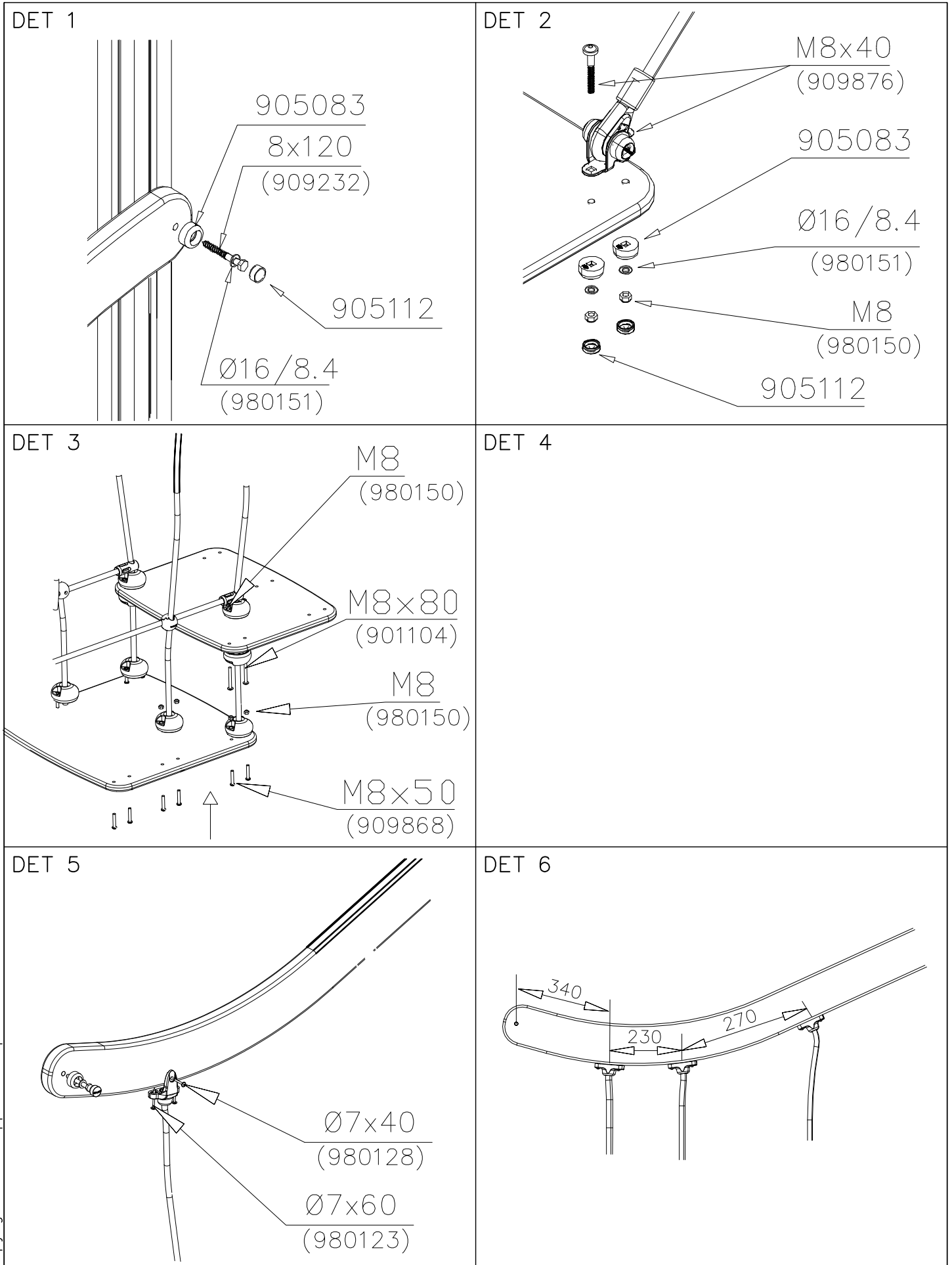
① 707544	PCS	② 706685	PCS
	2		1
43x123x1775		20x413x615	
③ 707541	PCS	④ 707542	PCS
	1		1
20x566x615		20x414x615	
⑤ 706698	PCS	⑥ 707551	PCS
	2		2
Ø16x280		Ø16x360	
⑦ 706710	PCS	⑧ 707550	PCS
	2		1
Ø16x618		Ø16x553x703	
⑨ 707560	PCS	⑩ 905083	PCS
	2		10
		Ø32	
⑪ 909232	PCS	⑫ 905112	PCS
	4		10
8x120		Ø22	
⑬ 900240	PCS	⑭ 980128	PCS
	13		6
Ø8x70		Ø7x40	
⑮ 980123	PCS	⑯ 909868	PCS
	20		18
Ø7x60		Ø8x50	
⑰ 909256	PCS	⑱ 901104	PCS
	14		8
Ø16/8.4		M8x80	
⑲ 909876	PCS	⑳ 980151	PCS
	6		10
M8x40		Ø16/8.4	
㉑ 901104	PCS	㉒ 980150	PCS
	8		32
M8x80		M8	

1:20

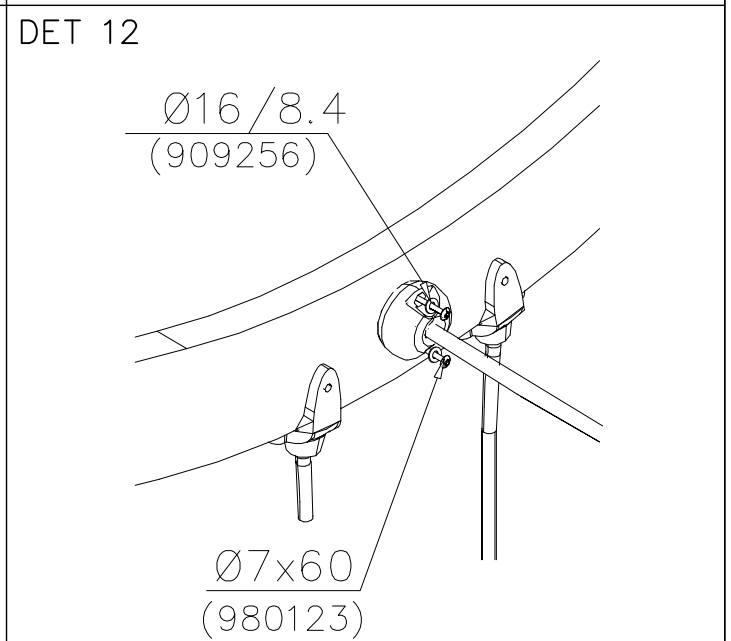
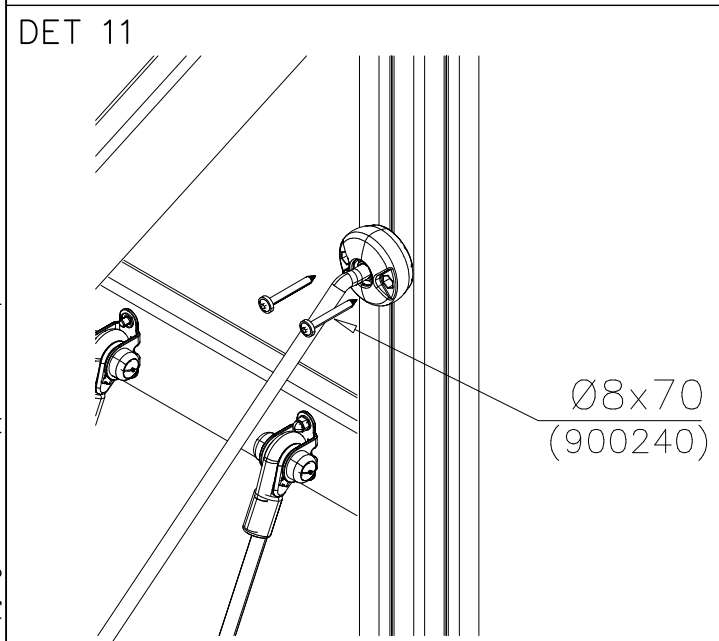
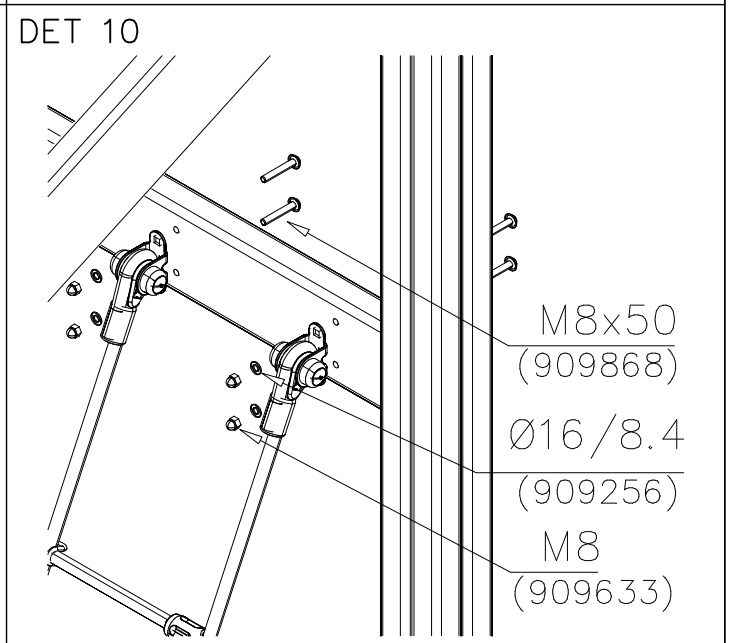
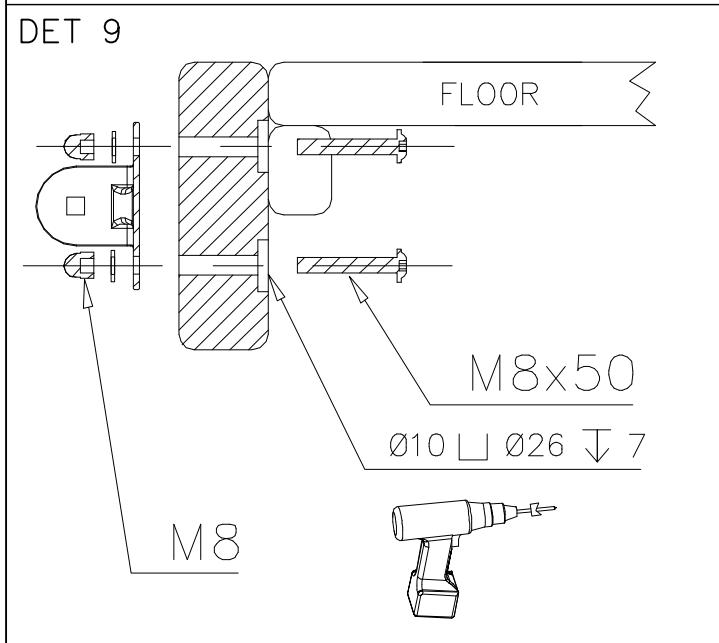
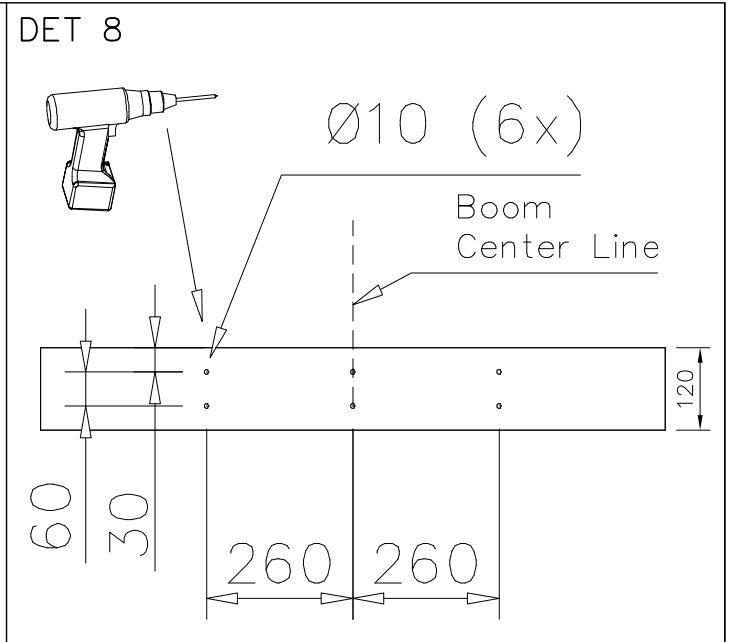
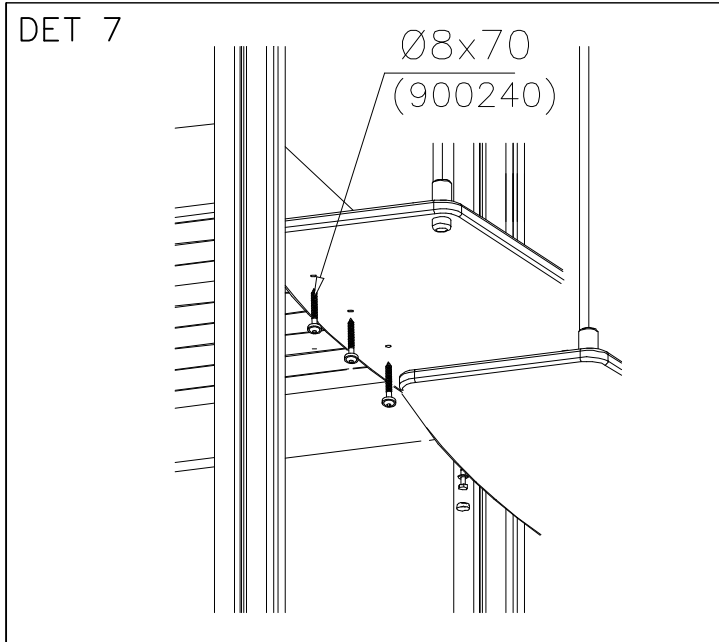


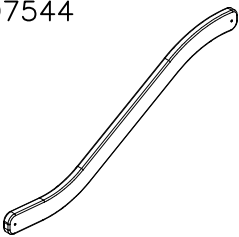
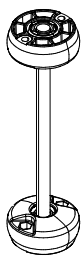
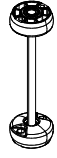
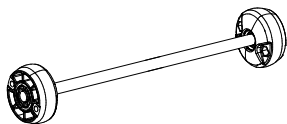
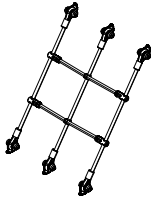
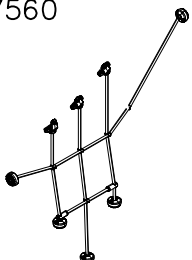
1:20

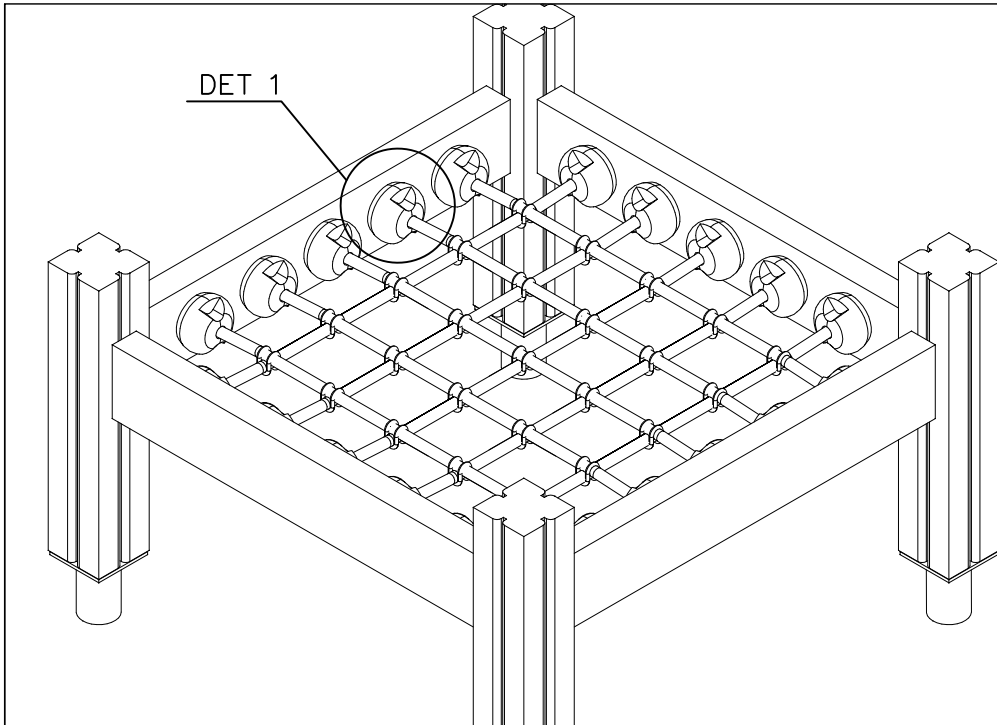


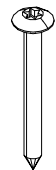

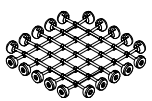


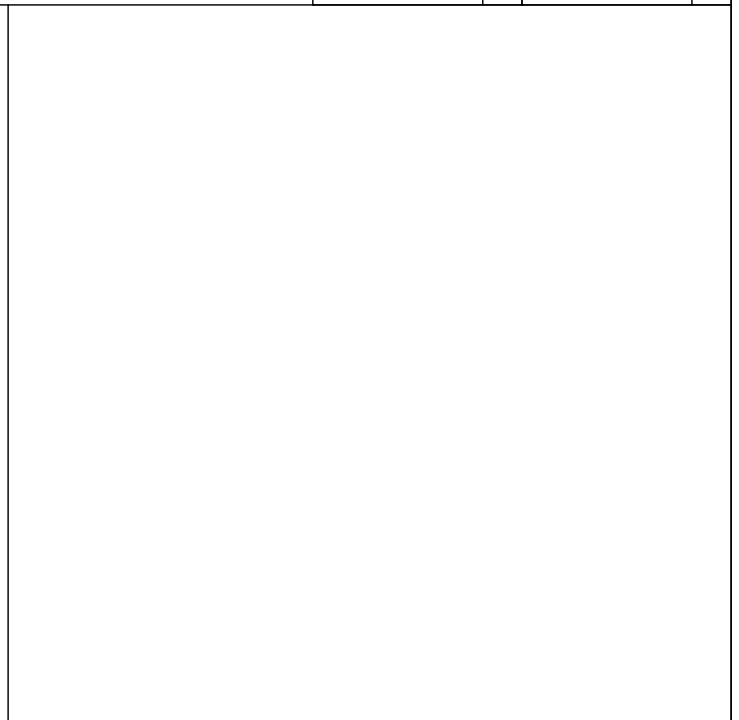
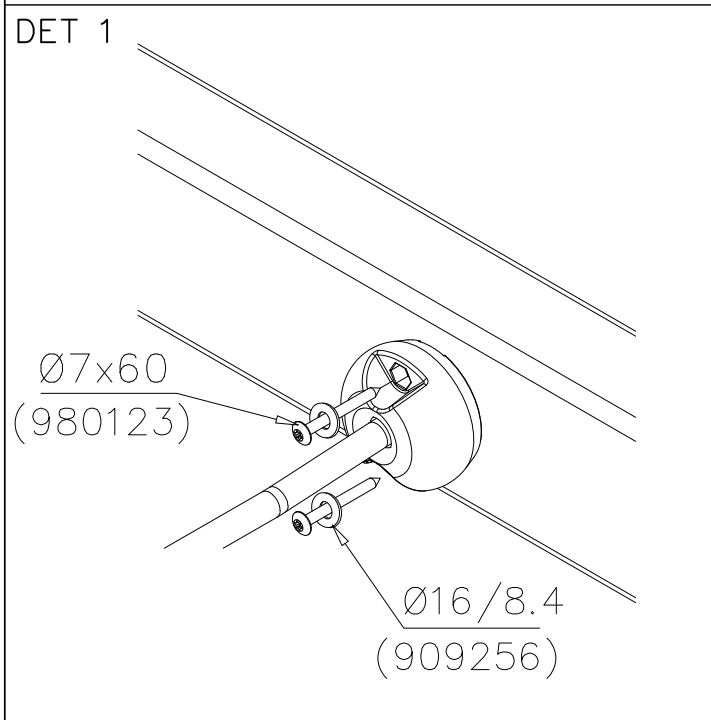
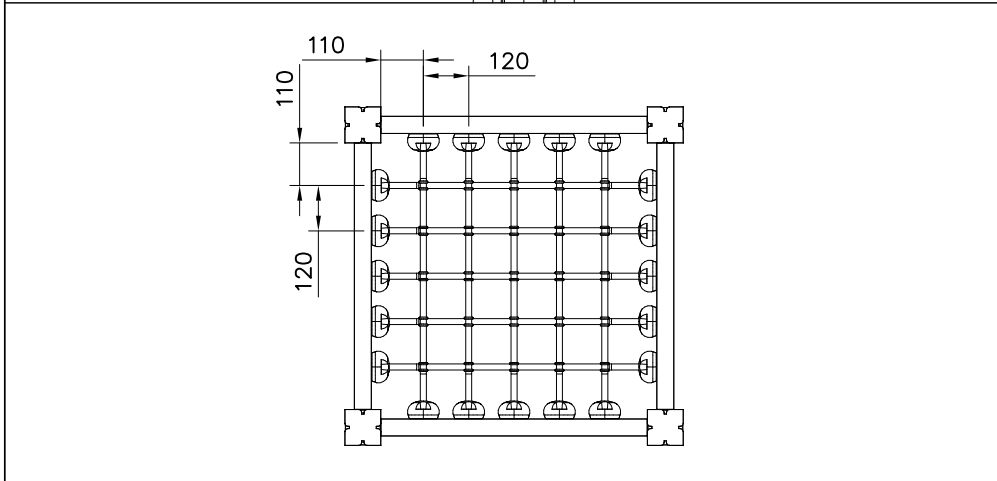




BOOM OPTIONS					
707544  43x123x1775	707544-602	DARK BROWN	707544-608	BLUE	
	707544-603	LIGHT BROWN	707544-609	GREEN	
	707544-604	LIGHT GRAY	707544-610	YELLOW	
	707544-605	DARK GRAY	707544-611	LIME	
	707544-606	GRAY	707544-612	FUXIA	
	707544-607	RED			
ROPE OPTIONS					
707551  Ø16x360	707551-301	BLUE	706698  Ø16x280	706698-301	BLUE
	707551-302	RED		706698-302	RED
	707551-303	BEIGE		706698-303	BEIGE
	707551-304	GRAY		706698-304	GRAY
	707551-305	BLACK		706698-305	BLACK
	707551-306	YELLOW		706698-306	YELLOW
SAFETY ROPE OPTIONS					
706710  Ø16x618	706710-301	BLUE			
	706710-302	RED			
	706710-303	BEIGE			
	706710-304	GRAY			
	706710-305	BLACK			
	706710-306	YELLOW			
NET OPTIONS					
707550  Ø16x553x703	707550-301	BLUE			
	707550-302	RED			
	707550-303	BEIGE			
	707550-304	GRAY			
	707550-305	BLACK			
	707550-306	YELLOW			
NET OPTIONS					
707560 	707560-301	BLUE			
	707560-302	RED			
	707560-303	BEIGE			
	707560-304	GRAY			
	707560-305	BLACK			
	707560-306	YELLOW			

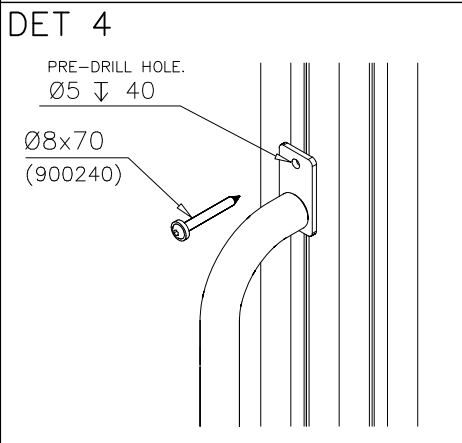
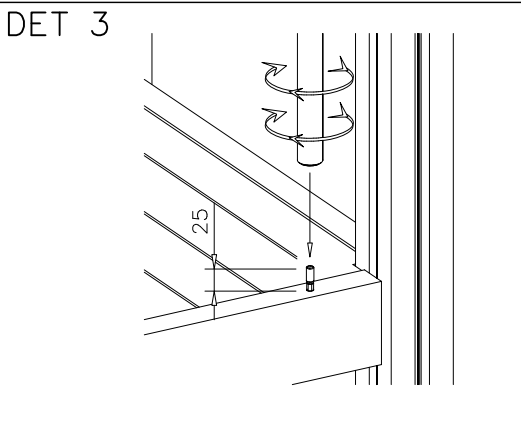
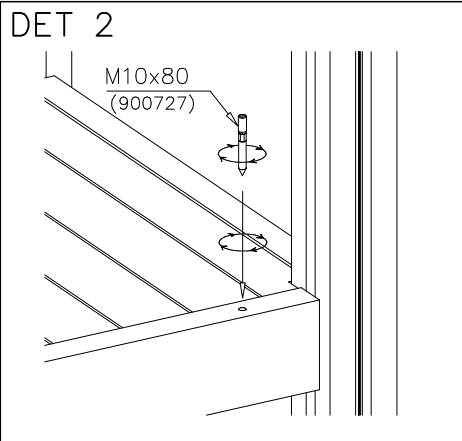
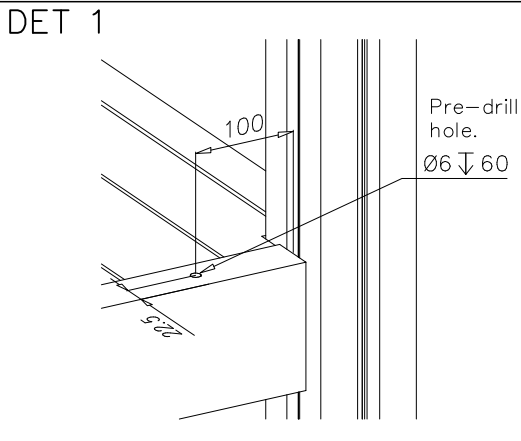


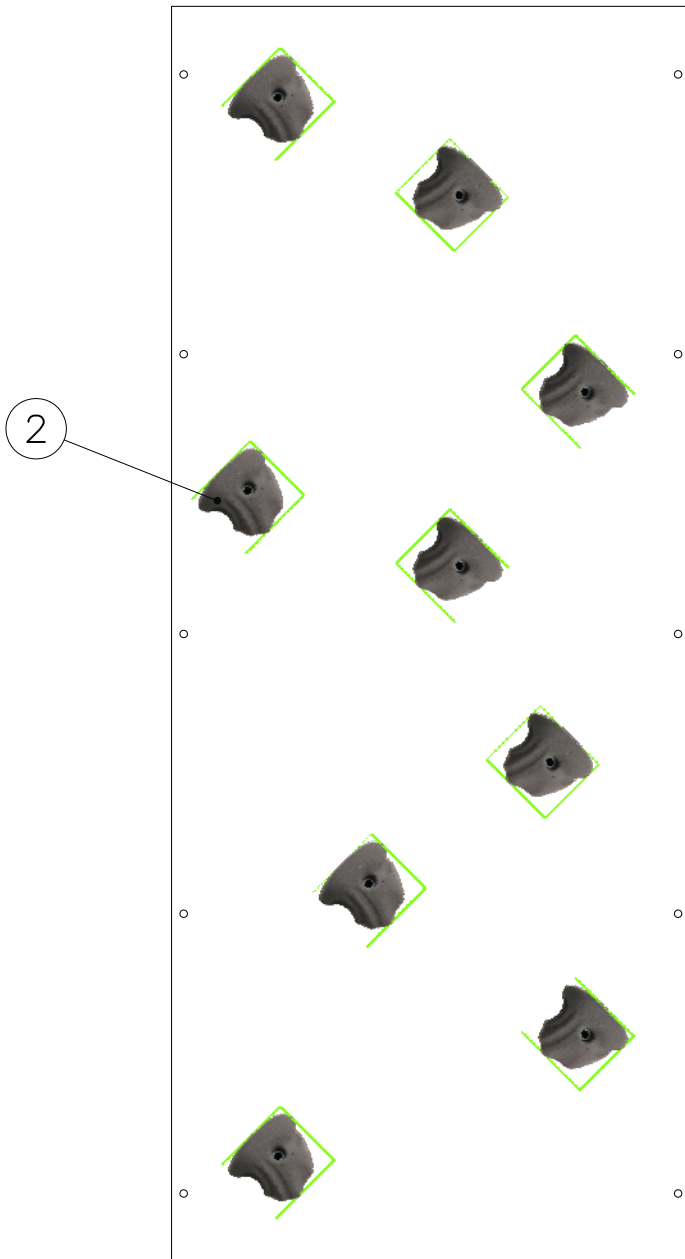
① 980123	PCS	② 909256	PCS
	40		40
Ø7x60		Ø16/8.4	
	PCS		PCS
		○ 707590	PCS
			
		755x755	
	PCS		PCS
	PCS		PCS

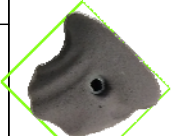
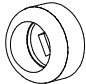







① 900240	PCS	② 900727	PCS
	1		1
Ø8x70		M10x80	
	PCS		PCS
③ 907688	PCS	③ 907701	PCS
	1		1
765		545	
	PCS		PCS
	PCS		PCS
	PCS		PCS
	PCS		PCS





①	904336	PCS	②*	906746	PCS
		9			9
	Ø6x20		Size L, Grey		
③	902232	PCS	④	905090	PCS
		9			9
	M10x55		Ø45		
⑤	901302	PCS	⑥	909637	PCS
		9			9
	Ø20/10.5		M10		
⑦	905115	PCS			PCS
		9			
	Ø30				
		PCS			PCS
		PCS			PCS
○	706646	PCS			PCS
		1			
	12x686x1660				
		PCS			PCS

HUOM!

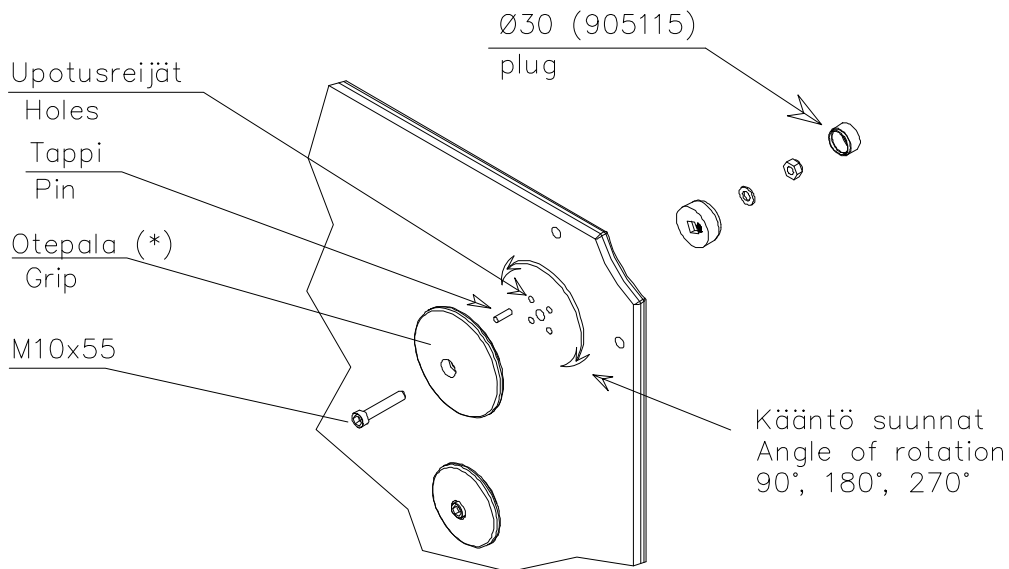
Otepalan asennus, säätö tai paikan vaihto.  
Säätömahdollisuus (90°,180°,270°).

Jos asennetun otepalan suuntaa- tai paikkaa halutaan muuttaa. Irrota otepalan kiinnityspultti ja otepala, käännä tai vaihda. Siirrä tarvittaessa tappi oikeaan upotusreikään. Asenna avatut osat paikoilleen ja lopuksi kiinnitä muovitulppa Ø30 paikoilleen kaikkiin otekokoonpanoihin.

NOTE:

Grip positions and angles are adjustable (90°,180°270°).

Grip can be repositioned by removing the fastening bolt and pulling the grip off.  
Securing pin can be repositioned when angle is changed.  
After the parts are reassembled. Finish the assembly by fastening the cover plugs (Ø30).

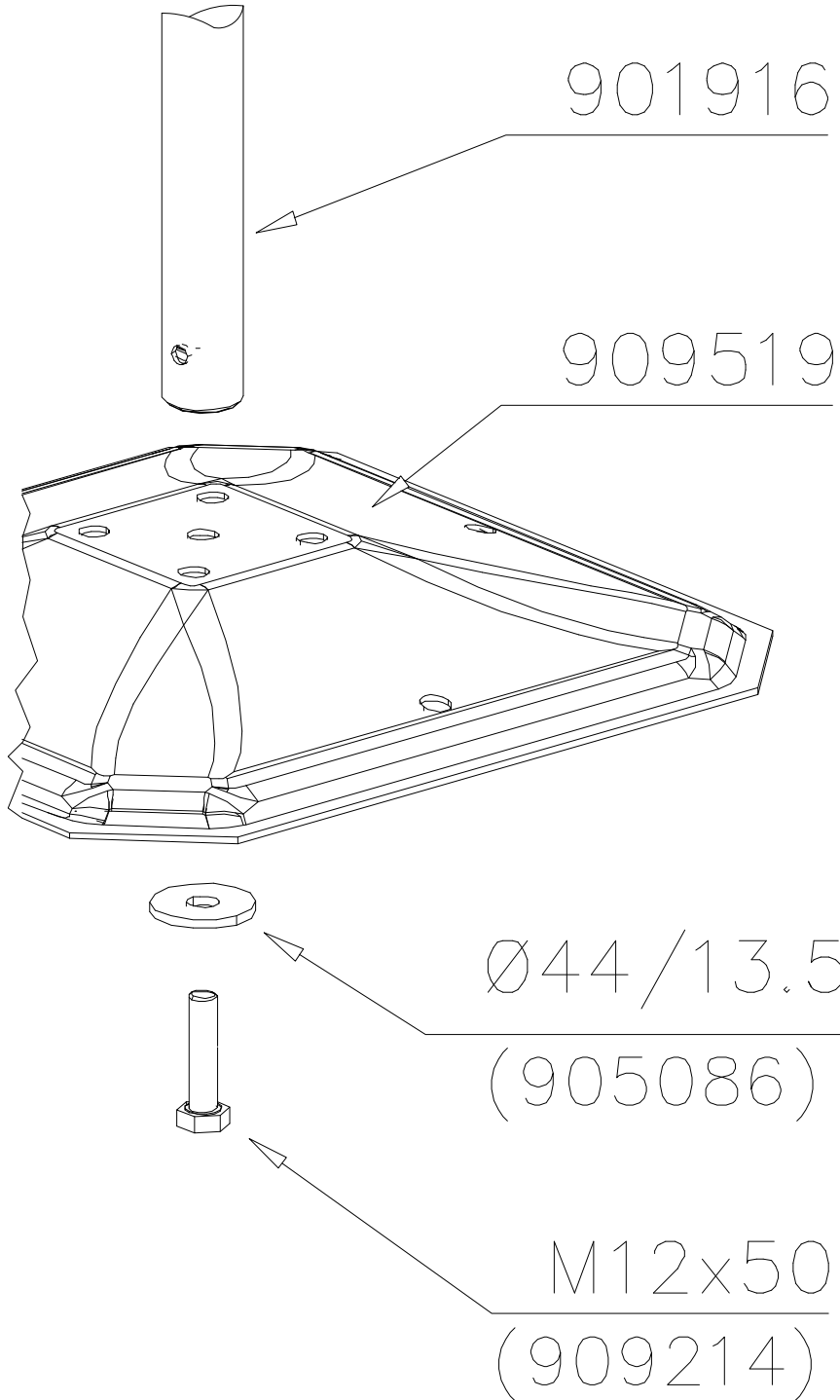


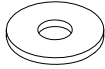
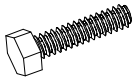
# LAPPSET® DEEP FOUNDATION

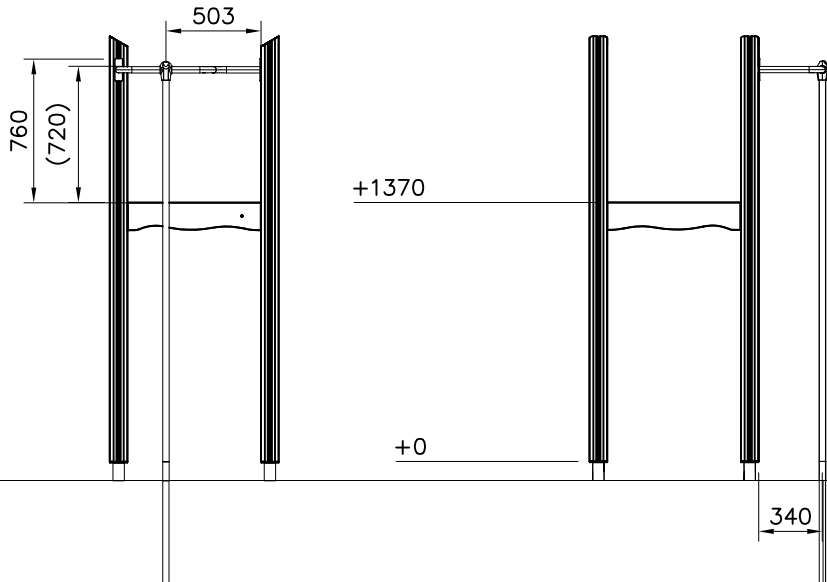
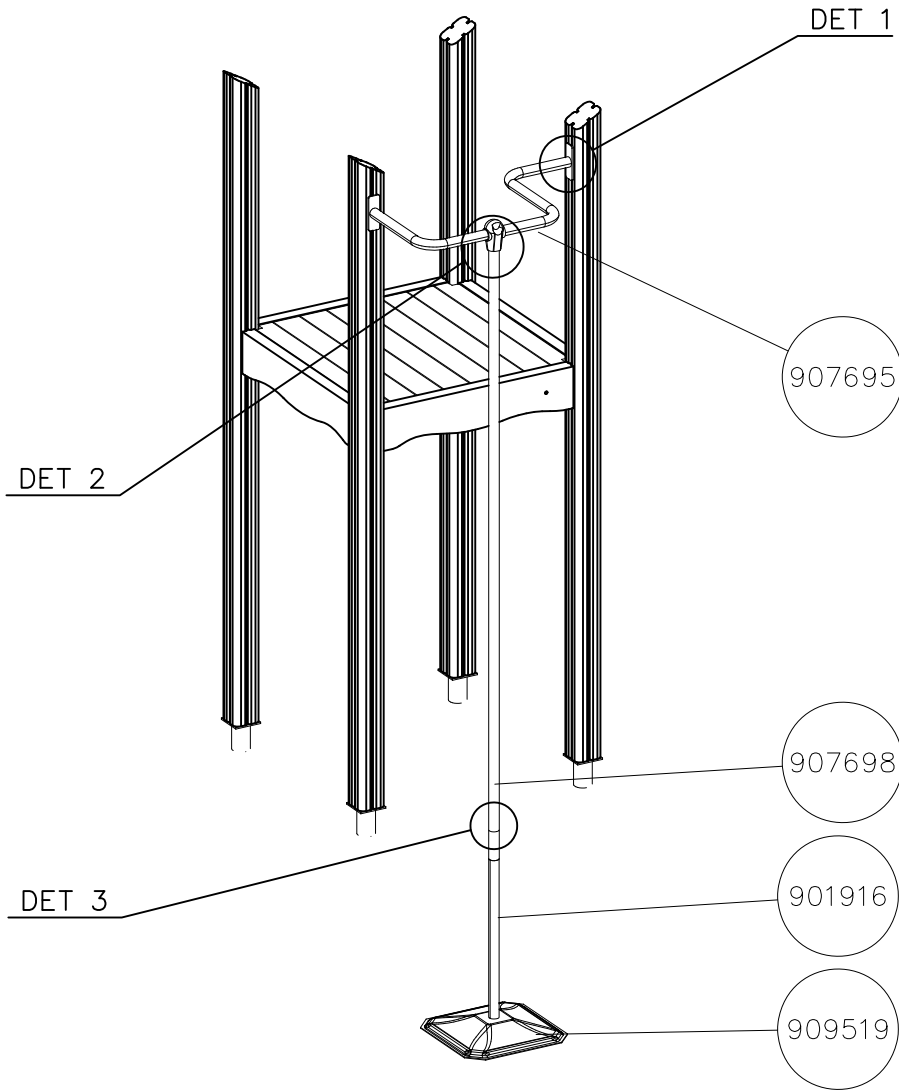
# POLE

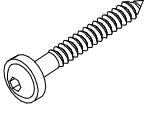
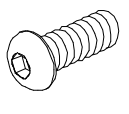


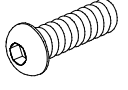
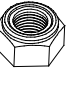
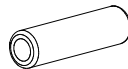


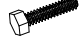

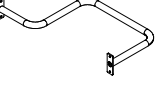


DATE: 15.5.2014

**1(1)**



①	905086	PCS	②	909214	PCS
		1			1
	Ø44/13.5		M12x50		
		PCS			PCS
		PCS			PCS
		PCS			PCS
		PCS			PCS
		PCS			PCS
		PCS			PCS
		PCS			PCS
		PCS			PCS



① 900240	PCS	② 900342	PCS
	4		2
Ø8x70		M8x16	
③ 901900	PCS	④ 901939	PCS
	2		1
20.5x36.2x56		M12x70	
⑤ 909850	PCS	⑥ 980150	PCS
	1		1
M8x25		M8	
⑦ 901182	PCS	⑧ 901902	PCS
	1		2
Ø11/M8x40		30.7x60.9x100	
⑨ 905086	PCS	⑩ 909214	PCS
	1		1
Ø44/13.5		M12x50	
⑪ 907698	PCS	⑫ 907695	PCS
	1		1
Ø33.7x2054			
⑬ 901916	PCS	⑭ 909519	PCS
	1		1
Ø33.7x650	13	50x380x380	
	PCS		PCS



