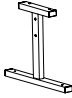



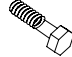


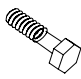
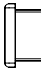
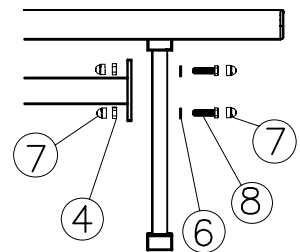
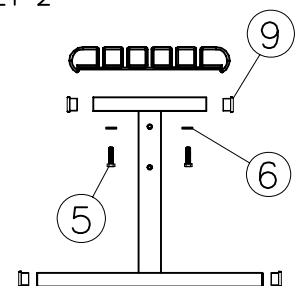


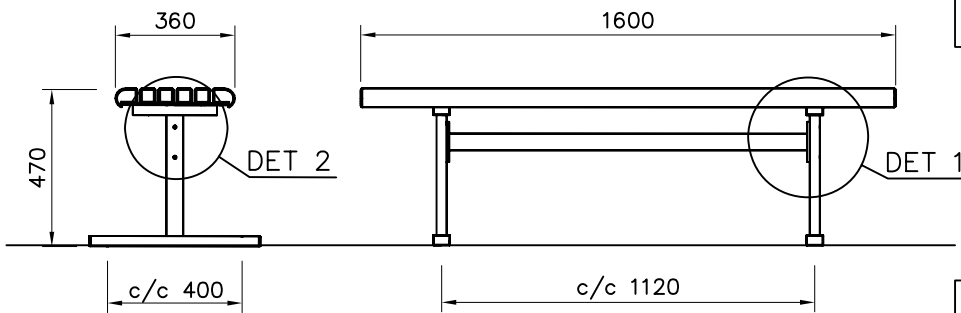
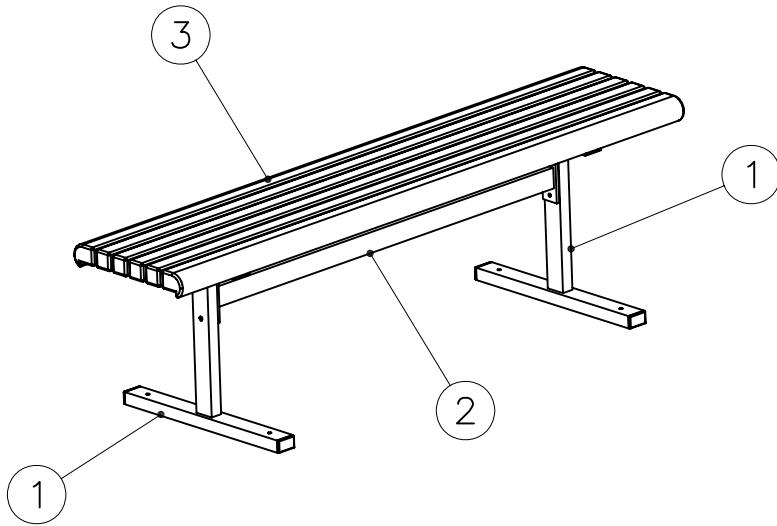
① N902606	PCS	② N902605	PCS
	2		1
③ SITT	PCS	④ N01800	PCS
	1		4
L=1600		M8	
⑤ N01835	PCS	⑥ N03816	PCS
	4		8
M8x35		8,4x16x1,5	
⑦ 902607	PCS	⑧ N01850	PCS
	8		4
Täckhatt M8		M8x50	
		⑨ N00154	PCS
			8
		Täcklock	

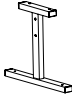






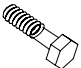

DET 1



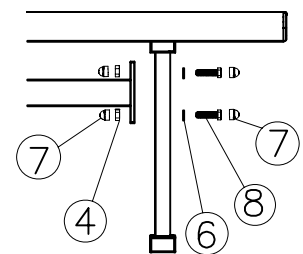
DET 2





① N902606	PCS	② N902605	PCS
	2		1
③ SITT	PCS	④ N01800	PCS
	1		4
L=1600		M8	
⑤ N01835	PCS	⑥ N03816	PCS
	4		8
M8x35		8,4x16x1,5	
⑦ 902607	PCS	⑧ N01850	PCS
	8		4
Täckhatt M8		M8x50	
		⑨ N00154	PCS
			8
		Täcklock	

DET 1



DET 2

