

LAPPSET®
BETON FOUNDATION

FOOT

DATE: 27.10.2015

1(1)

| | | | |
|--|-----|--|-----|
| ② 905104 | PCS | | PCS |
| | 4 | | |
|  M10 | PCS | | PCS |
| | | | |



905104


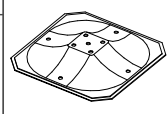
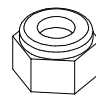
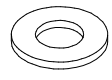
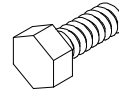
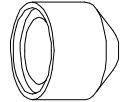

LAPPSET® DEEP FOUNDATION

FOOT

DATE: 15.5.2018

1(1)



| | | | | | |
|-------------|---|-----|---|---|-----|
| ① | 909511 | PCS | ② | 909519 | PCS |
| |  | 1 | |  | 1 |
| | 90x90x650 | | | 50x380x380 | |
| ③ | 909637 | PCS | ④ | 909638 | PCS |
| |  | 4 | |  | 8 |
| | M10 | | | Ø20/10.5 | |
| ⑤ | 909639 | PCS | ⑥ | 905104 | PCS |
| |  | 4 | |  | 4 |
| | M10x25 | | | M10 | |
| OPTION FOOT | | | | | |
| ① | 911155 | PCS | | | PCS |
| |  | 1 | | | |
| | 90x90x650 | | | | |

LAPPSET

DEEP FOUNDATION

SLIDE WOOD

DATE: 22.5.2015

1(1)





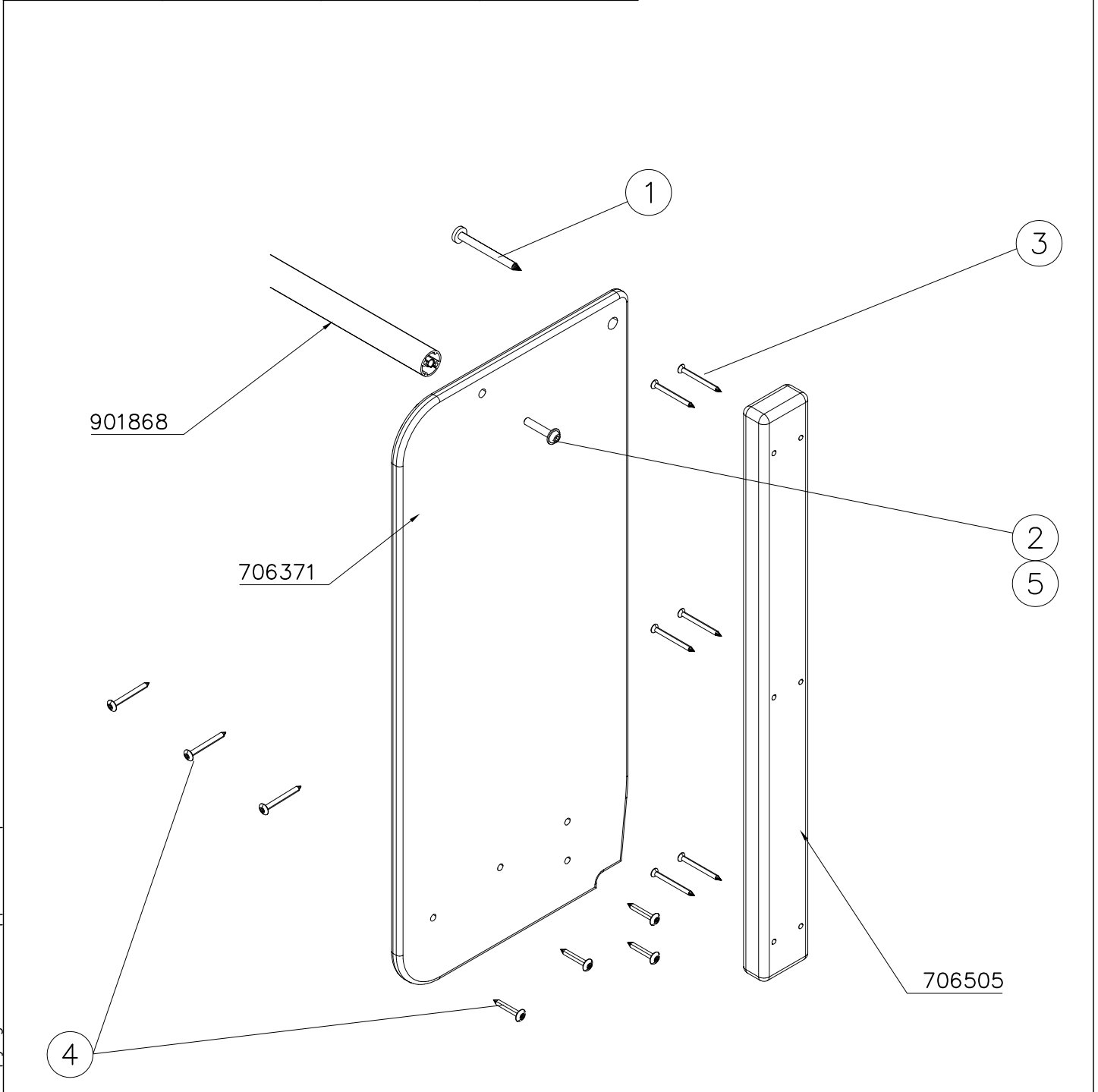
SLIDE OPTIONS

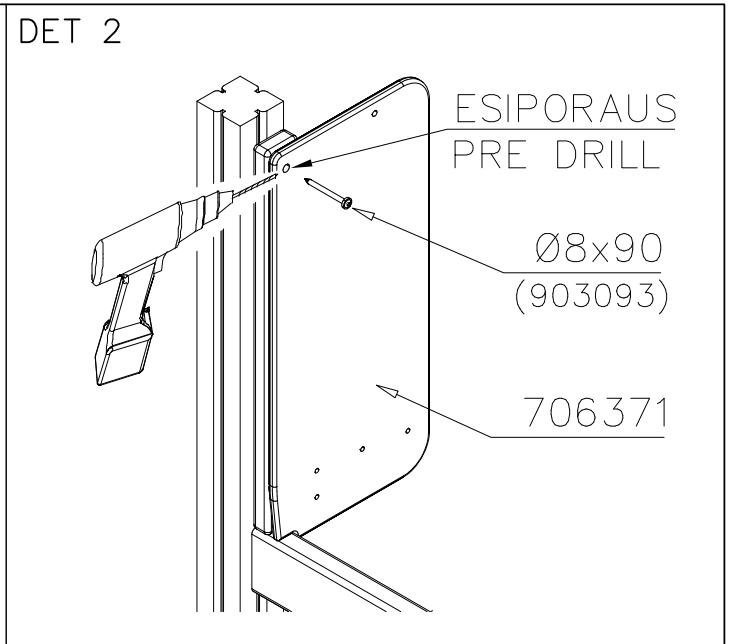
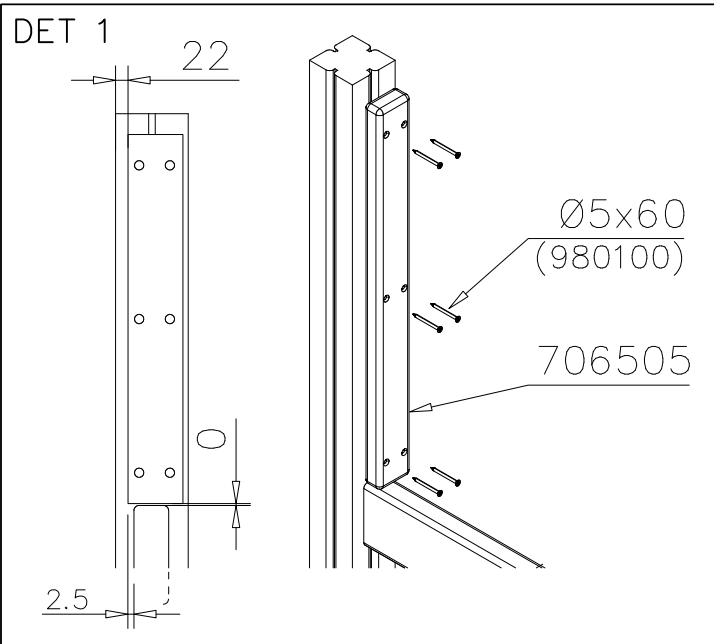
| | | |
|---|---|--|
| <p>706450 +1470</p>  | <p>706450-602 DARK BROWN 706450-603 LIGHT BROWN 706450-604 LIGHT GRAY</p> | |
| <p>706452 +870</p>  | <p>706452-602 DARK BROWN 706452-603 LIGHT BROWN 706452-604 LIGHT GRAY</p> | |

WALL OPTIONS

| | | |
|---|--|---|
| <p>706371</p>  | <p>706371-701 BLUE 706371-702 YELLOW 706371-703 LIME 706371-704 DRARK GRAY 706371-705 LIGHT GRAY 706371-706 RED</p> | <p>706371-707 GREEN 706371-708 FUXIA</p> |
|---|--|---|

| | | | | | | | | | | | |
|--|-----|---|-----|---|-----|---|-----|--|-----|---|-----|
| ○ SLIDE | PCS | ○ SLIDE | PCS | ○ 706371 | PCS | ○ 706505 | PCS | ○ 901868 | PCS | ① 903093 | PCS |
|  | 1 |  | 1 |  | 2 |  | 2 |  | 1 |  | 2 |
| +1470 | | +870 | | 15x345x750 | | 35x70x730 | | Ø34x598 | | Ø8x90 | |
| ② 909876 | PCS | ③ 980100 | PCS | ④ 980128 | PCS | ⑤ 999561 | PCS | | | | |
|  | 2 |  | 12 |  | 11 |  | 1 | | | | |
| M8x40 | | Ø5x60 | | Ø7x40 | | 10g | | | | | |





LAPPSET

DEEP FOUNDATION

SLIDE WOOD

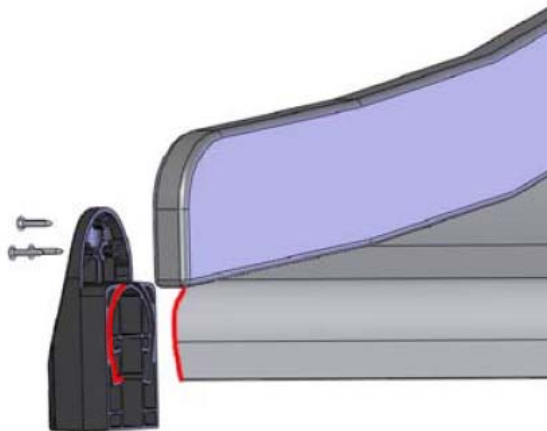
DATE: 3.11.2017

4(5)

| | | | | | | | | | | | |
|--|-----|---|-----|---|-----|---|-----|--|-----|---|-----|
| ○ 707133 | PCS | ○ 901868 | PCS | ○ 901879 | PCS | ⑥ 909210 | PCS | ⑦ 905051 | PCS | ⑧ 980128 | PCS |
|  | 1 |  | 2 |  | 2 |  | 4 |  | 4 |  | 6 |
| 10x80x745 | | Ø30x598 | | | | M8x40 | | Ø24/8.4 | | Ø7x40 | |



DET 6



Insert sheet metal IN to the plastic cover.

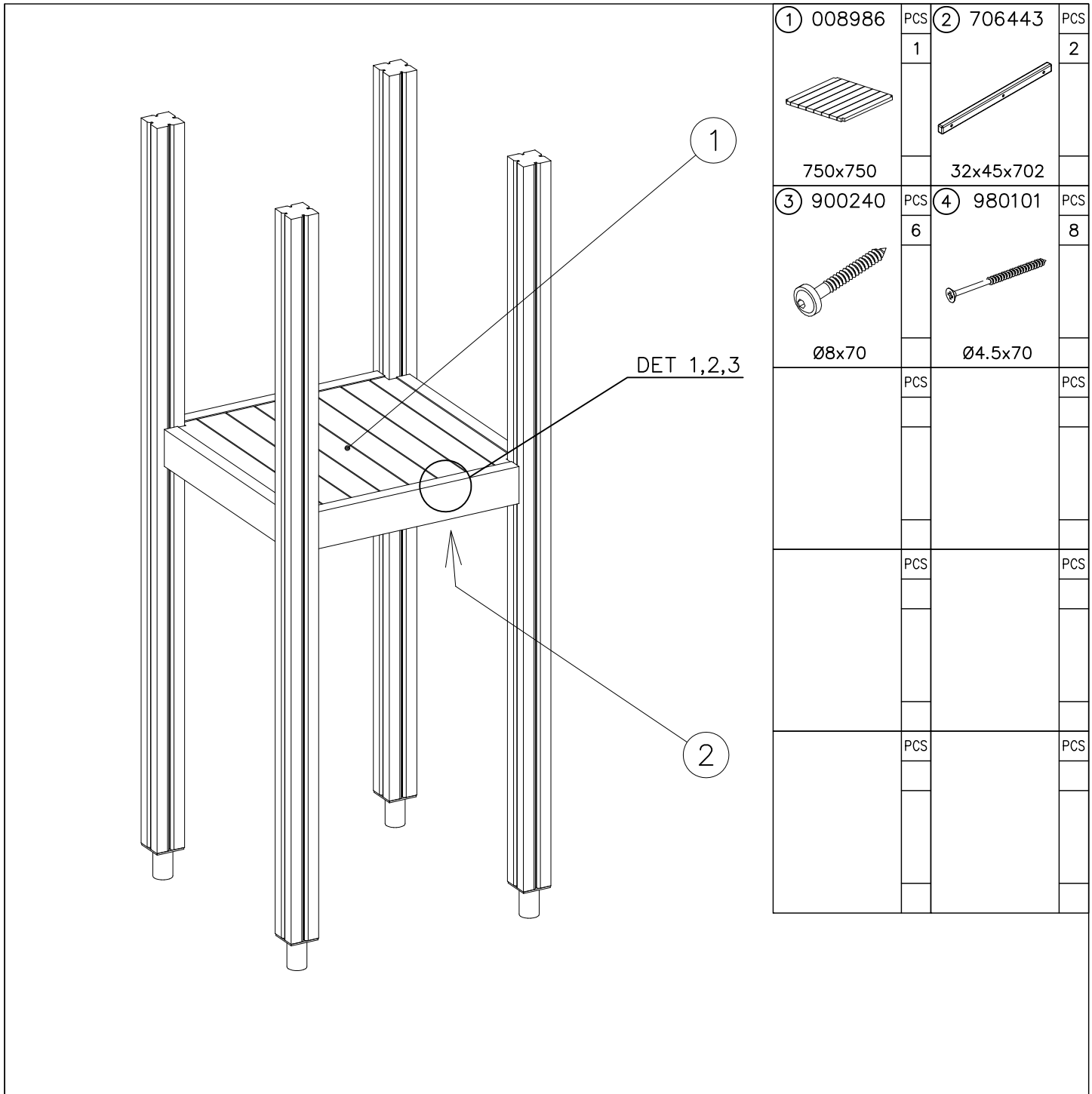


DET 7

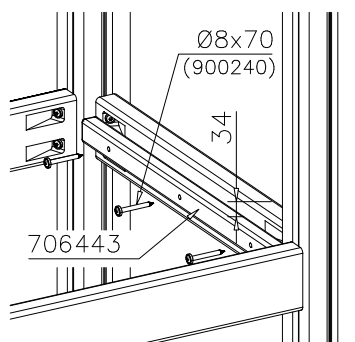


DET 8



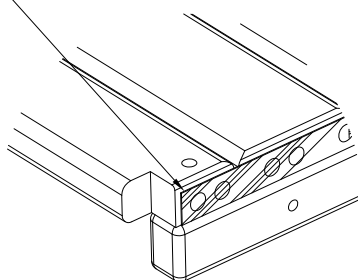


DET 1

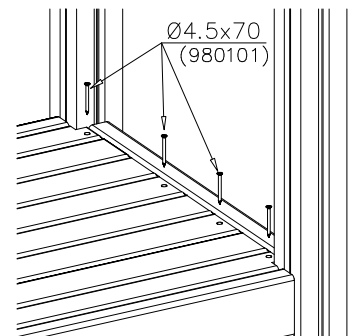


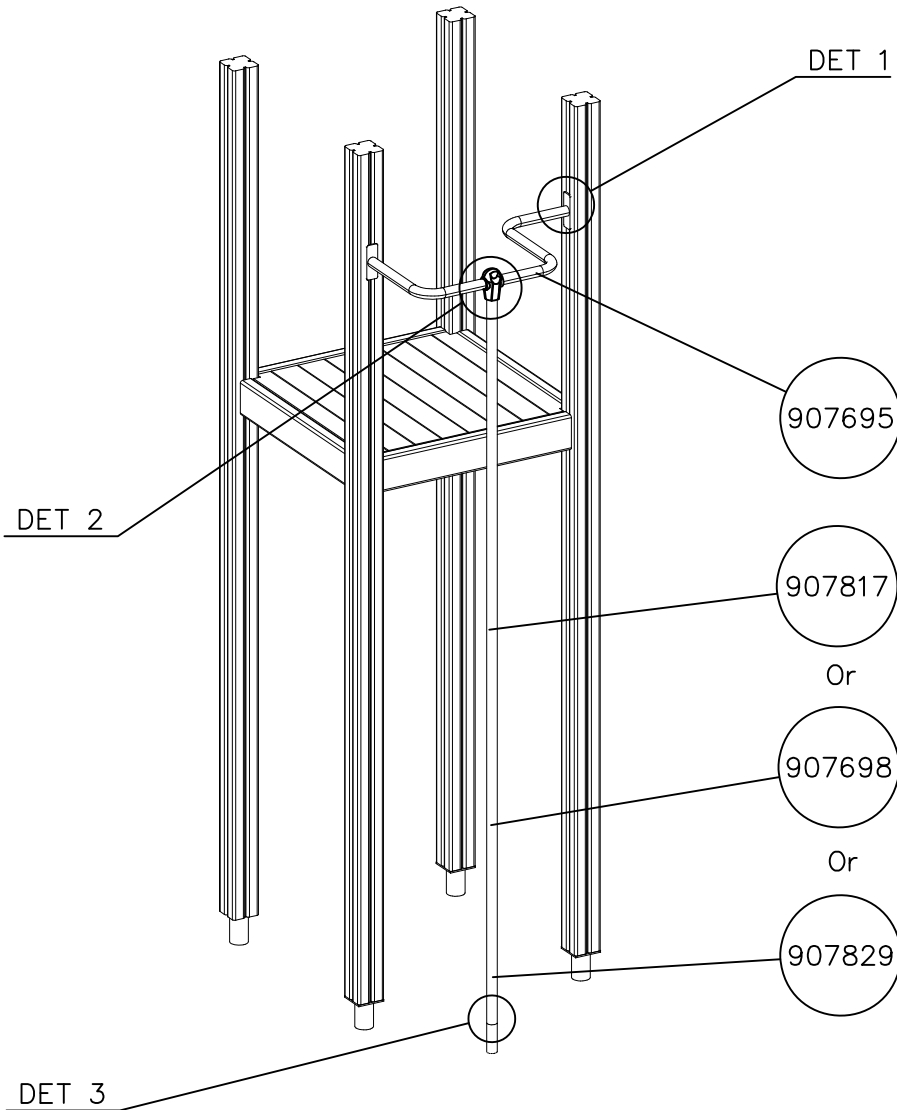
DET 2

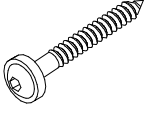
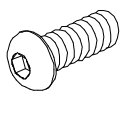
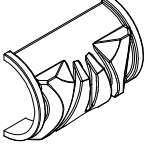

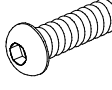

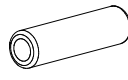




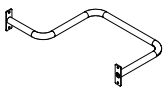
Naulanauha kannatinlistan puolelle.
Nail list to the bottom.

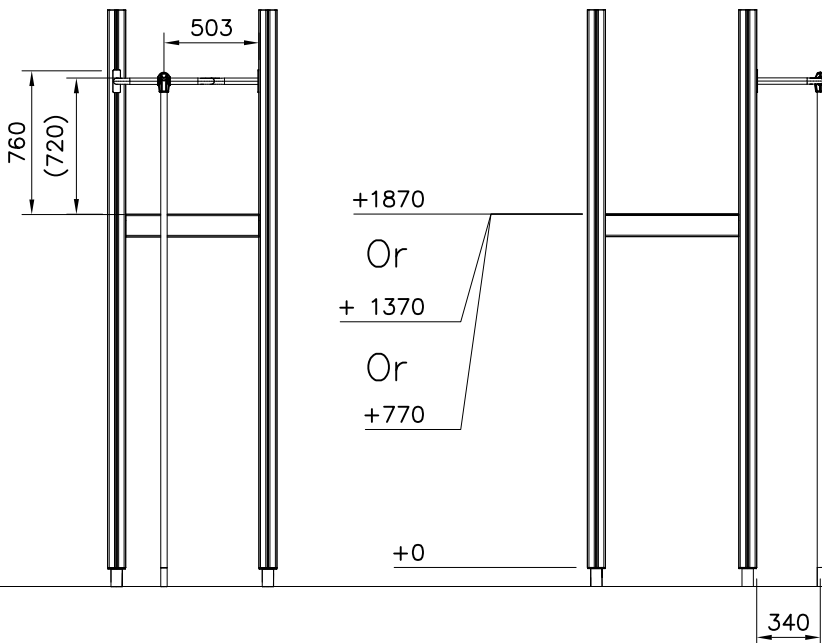


DET 3

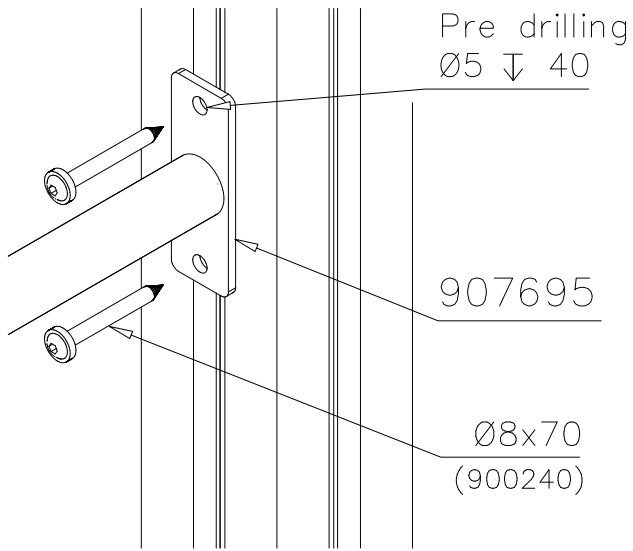




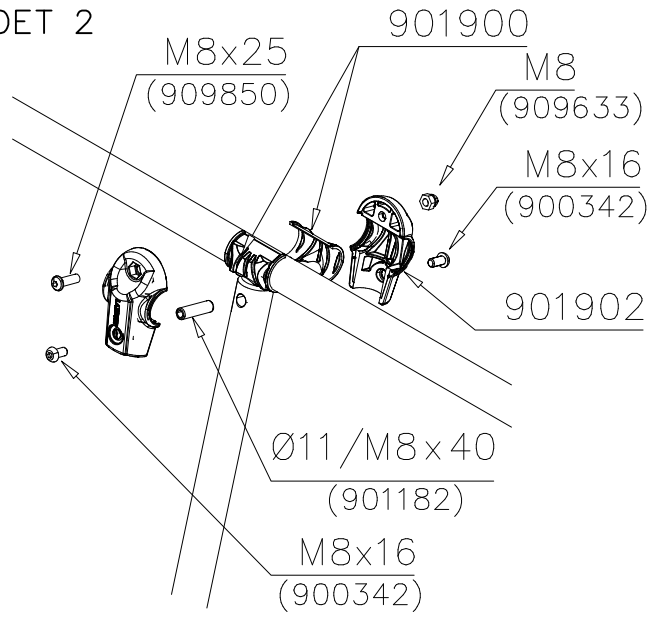
| | | | |
|---|----------|---|----------|
| ① 900240 | PCS 4 | ② 900342 | PCS 2 |
|  | |  | |
| Ø8x70 | | M8x16 | |
| ③ 901900 | PCS 2 | ④ 901939 | PCS 1 |
|  | |  | |
| 20.5x36.2x56 | | M12x70 | |
| ⑤ 909850 | PCS 1 | ⑥ 980150 | PCS 1 |
|  | |  | |
| M8x25 | | M8 | |
| ⑦ 901182 | PCS 1 | ⑧ 901902 | PCS 2 |
|  | |  | |
| Ø11/M8x40 | | 30.7x60.9x100 | |
| | PCS | | PCS |
| | | | |
| | PCS | | PCS |
| | | | |
| ○ 907829 | PCS 1 | ○ 907698 | PCS 1 |
|  | |  | |
| Ø33,7x1454 | | Ø33,7x2054 | |
| ○ 907817 | PCS 1 | ○ 907695 | PCS 1 |
|  | |  | |
| Ø33,7x2554 | | | |



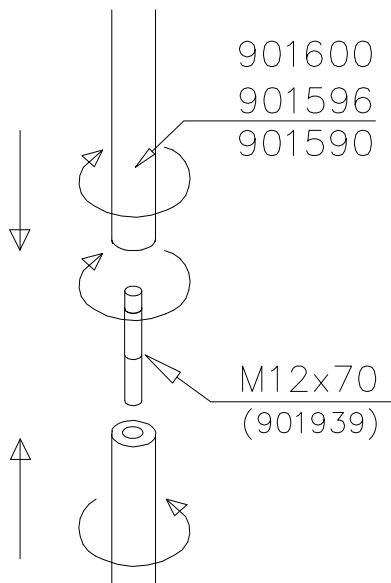
DET 1



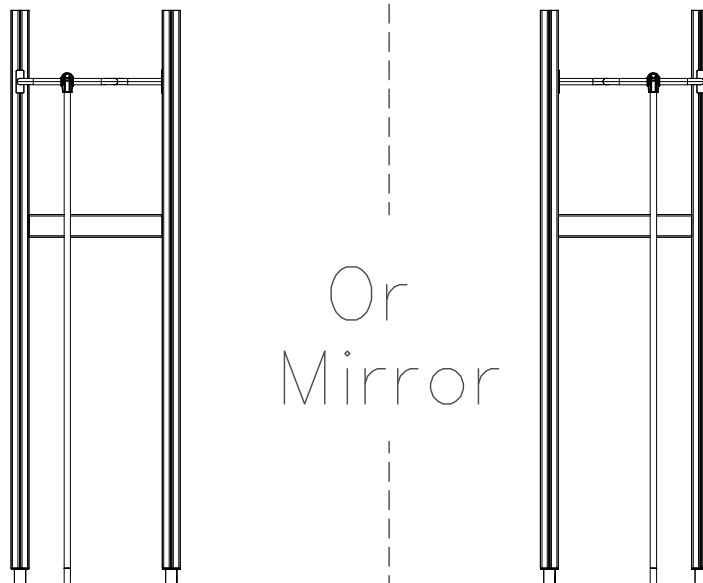
DET 2



DET 3



DET 4

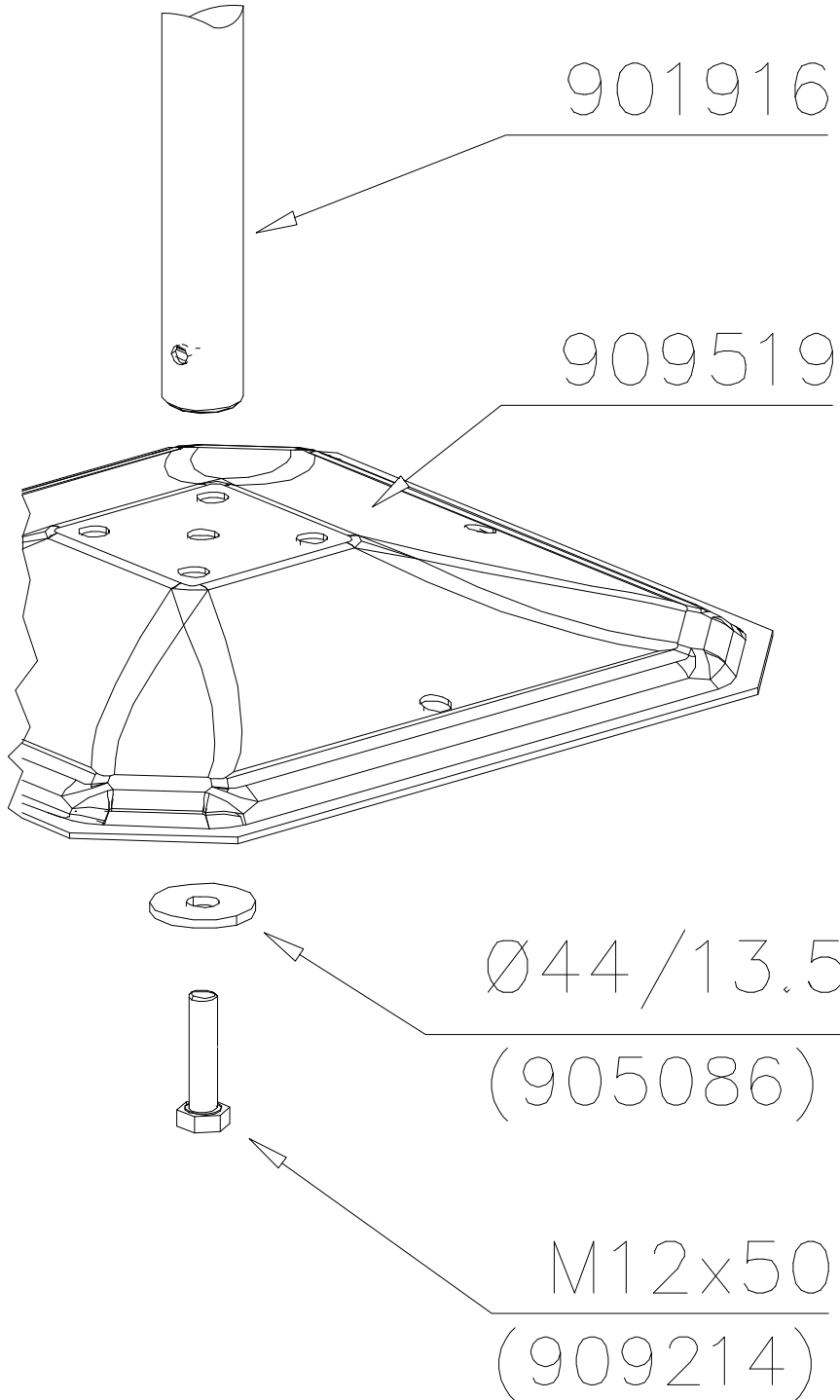
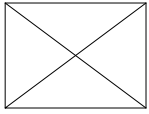


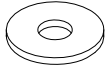
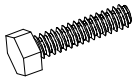
LAPPSET® DEEP FOUNDATION

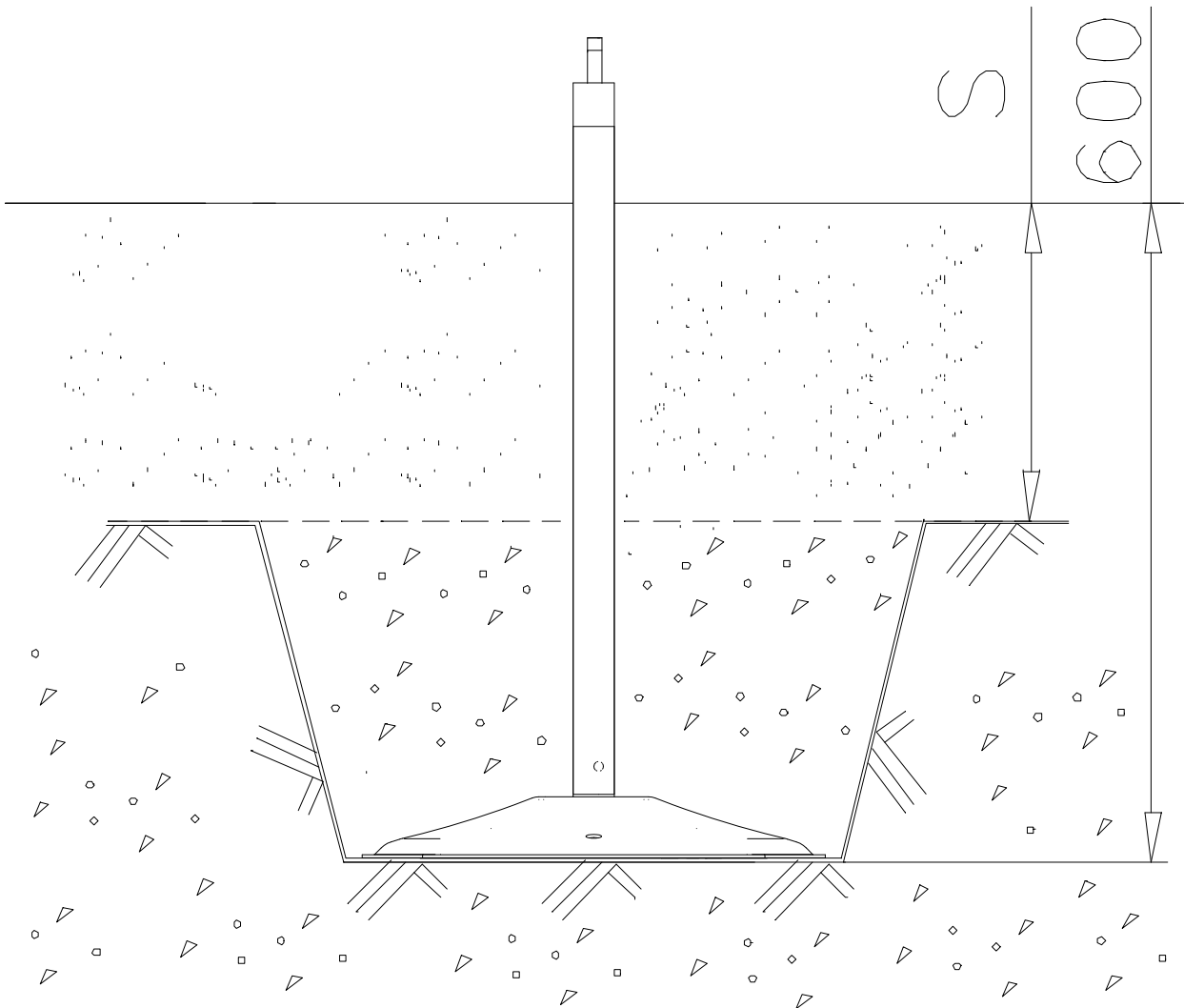
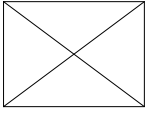
POLE

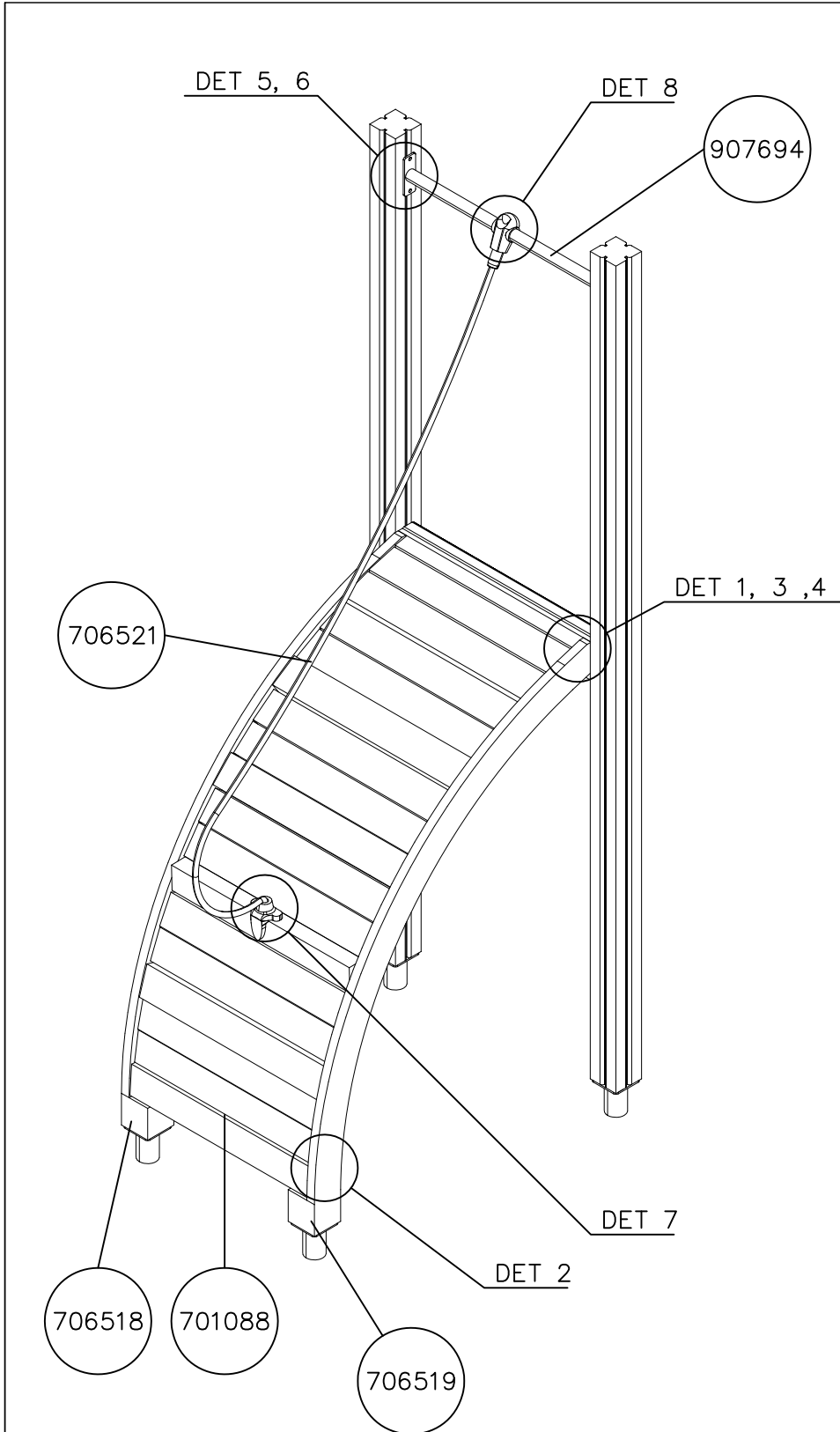
DATE: 15.5.2014

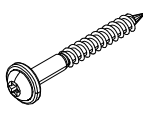
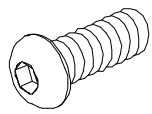
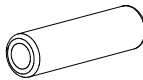
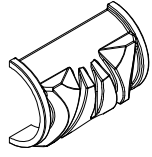

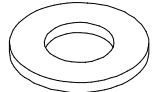
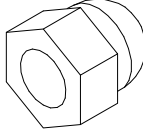
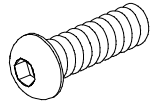
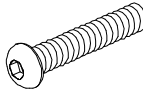
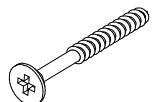


1(1)

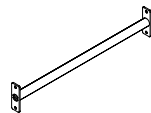
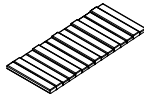
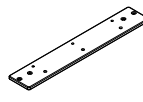





| ① | 905086 | PCS | ② | 909214 | PCS |
|---|---|-----|---|---|-----|
| |  | 1 | |  | 1 |
| | Ø44/13.5 | | | M12x50 | |
| | | PCS | | | PCS |
| | | | | | |
| | | PCS | | | PCS |
| | | | | | |
| | | PCS | | | PCS |
| | | | | | |
| | | PCS | | | PCS |
| | | | | | |
| | | PCS | | | PCS |
| | | | | | |
| | | PCS | | | PCS |
| | | | | | |
| | | PCS | | | PCS |
| | | | | | |





| | | | |
|---|-----|---|-----|
| ① 900240 | PCS | ② 900342 | PCS |
|  | 12 |  | 2 |
| Ø8x70 | | M8x16 | |
| ③ 901182 | PCS | ④ 901900 | PCS |
|  | 1 |  | 2 |
| Ø11/M8x40 | | 20.5x36.2x56 | |
| ⑤ 901902 | PCS | ⑥ 909256 | PCS |
|  | 2 |  | 4 |
| 30.7x60.9x100 | | Ø16/8.4x1.6 | |
| ⑦ 909633 | PCS | ⑧ 909850 | PCS |
|  | 1 |  | 1 |
| M8 | | M8x25 | |
| ⑨ 909855 | PCS | ⑩ 980107 | PCS |
|  | 4 |  | 3 |
| M8x35 | | Ø6x60 | |
| ⑪ 980123 | PCS | ⑫ 980128 | PCS |
|  | 2 |  | 4 |
| Ø7x60 | | Ø7x40 | |

| | | | | | | | | | | | |
|---|-----|---|-----|---|-----|--|-----|---|-----|---|-----|
| ○ 907694 | PCS | ○ 701088 | PCS | ○ 701092 | PCS | ○ 706521 | PCS | ○ 706518 | PCS | ○ 706519 | PCS |
|  | 1 |  | 1 |  | 1 |  | 1 |  | 1 |  | 1 |
| L 704 | | 45x645x1670 | | 15x120x700 | | L 2120 | | 95x1005x1365 | | 95x1005x1365 | |

ROPE OPTIONS

706521

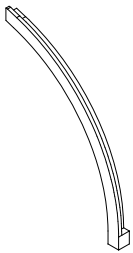


706521-301 BLUE
 706521-302 RED
 706521-303 BEIGE

706521-304 GRAY
 706521-305 BLACK
 706521-306 YELLOW

LEFT ARCH OPTIONS

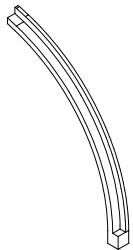
706518



706518-602 DARK BROWN
 706518-603 LIGHT BROWN
 706518-604 LIGHT GRAY

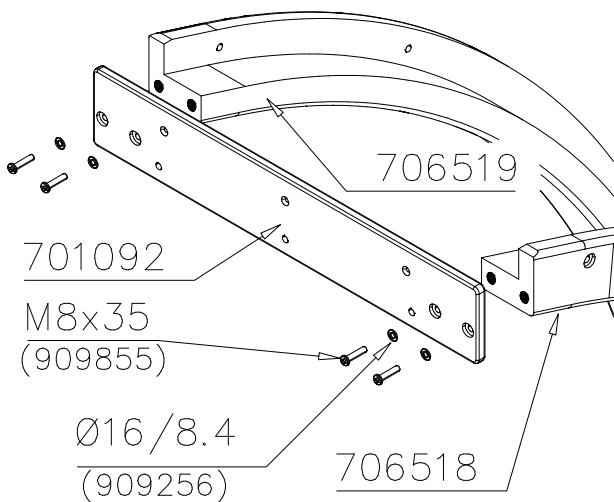
RIGHT ARCH OPTIONS

706519

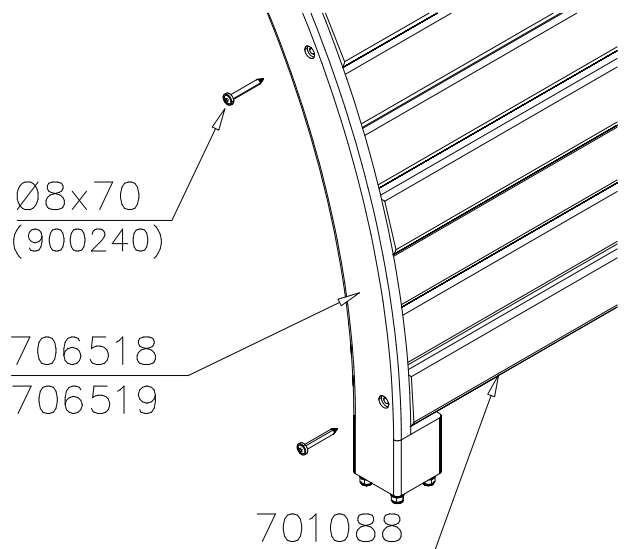


706519-602 DARK BROWN
 706519-603 LIGHT BROWN
 706519-604 LIGHT GRAY

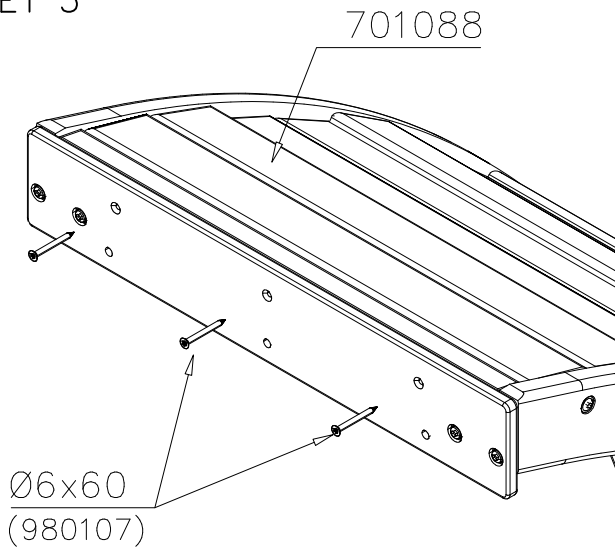
DET 1



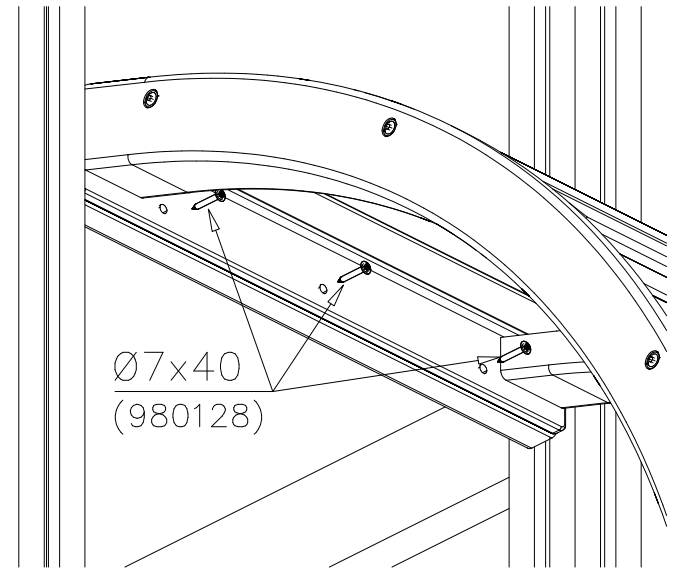
DET 2



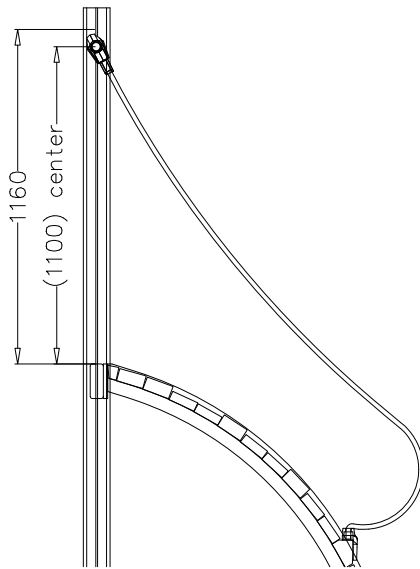
DET 3



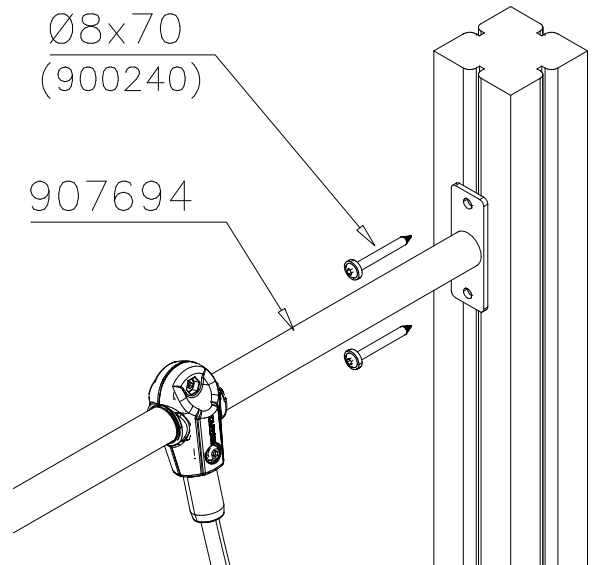
DET 4



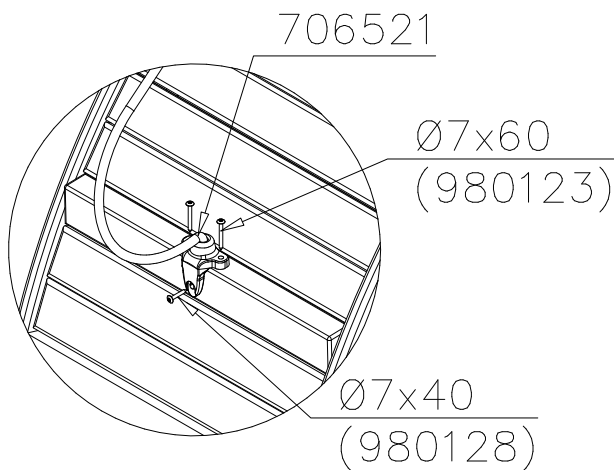
DET 5



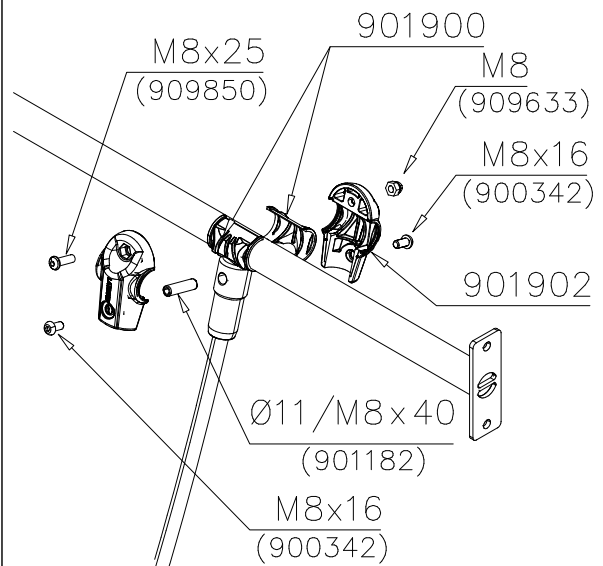
DET 6

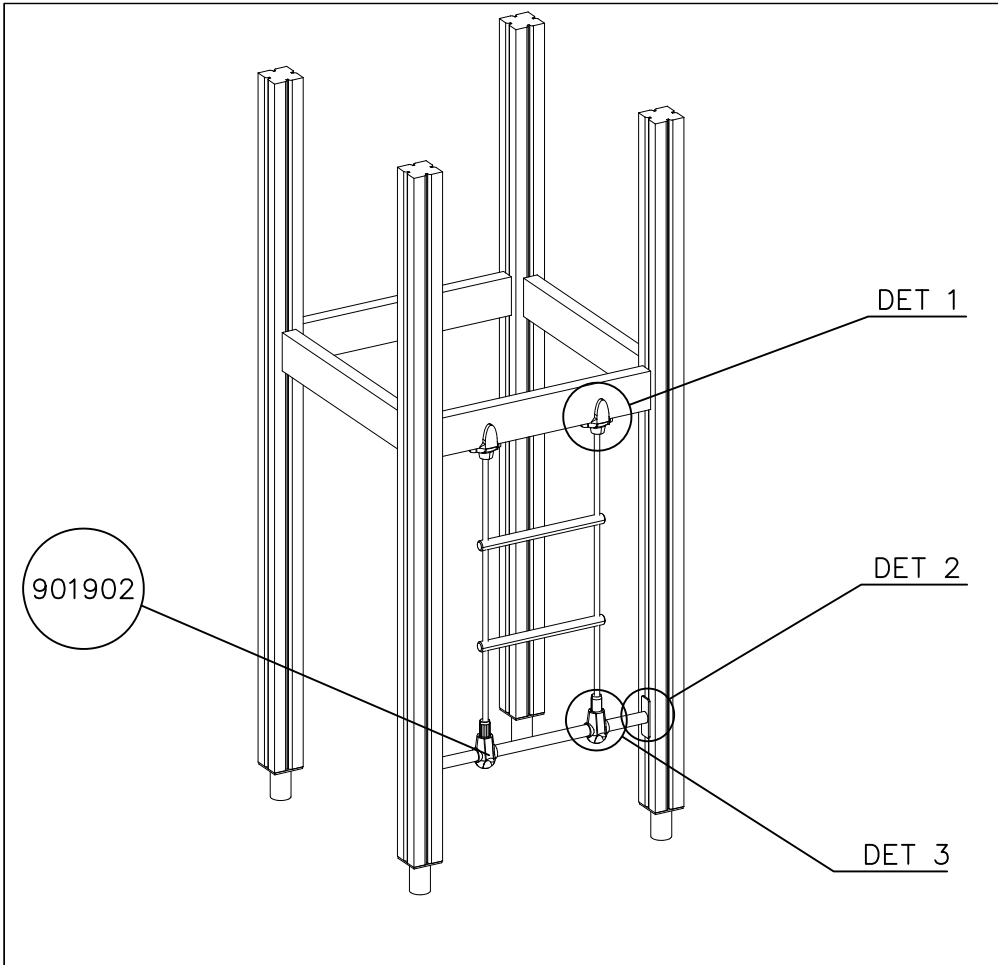




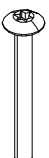
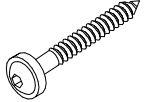
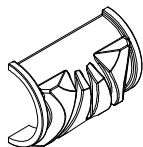
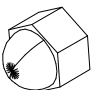
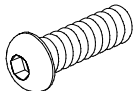
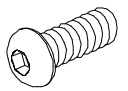
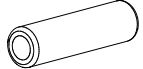
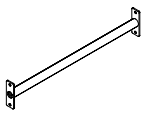
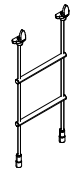
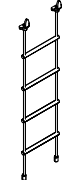
DET 7

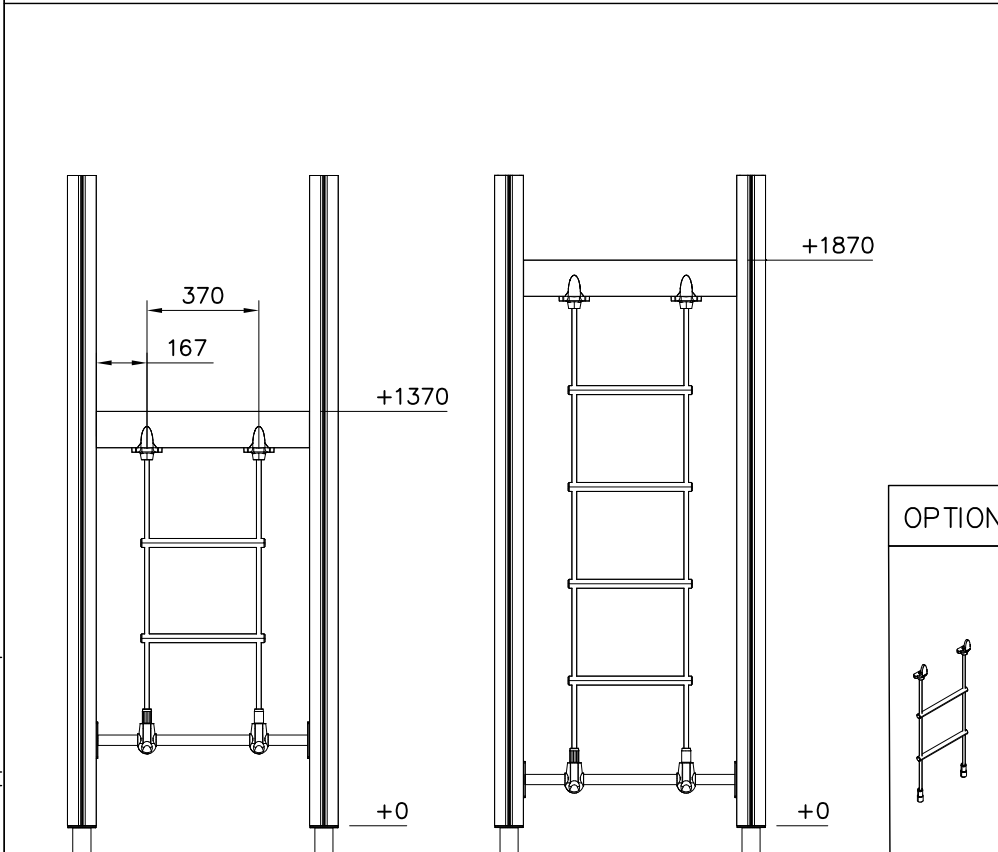


DET 8

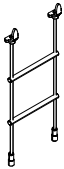
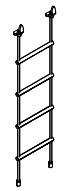




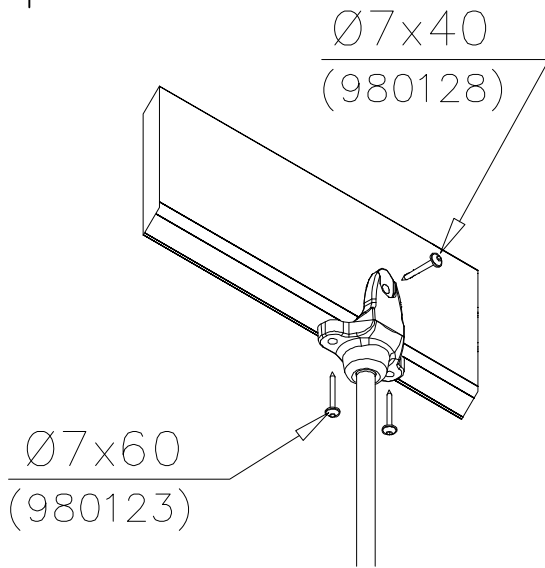
| | | | |
|---|----------|---|----------|
| ① 901902 | PCS 4 | ② 980128 | PCS 2 |
|  | |  | |
| 30x61x100 | | Ø7x40 | |
| ③ 980123 | PCS 4 | ④ 900240 | PCS 4 |
|  | |  | |
| Ø7x60 | | Ø8x70 | |
| ⑤ 901900 | PCS 4 | ⑥ 909633 | PCS 2 |
|  | |  | |
| 20.5x36.2x56 | | M8 | |
| ⑦ 909850 | PCS 2 | ⑧ 900342 | PCS 4 |
|  | |  | |
| M8x25 | | M8x16 | |
| ⑨ 901182 | PCS 2 | ○ 907694 | PCS 1 |
|  | |  | |
| Ø11/M8x40 | | L 704 | |
| ○ 706473 | PCS 1 | ○ 706780 | PCS 1 |
|  | |  | |
| +1470 | | +1970 | |



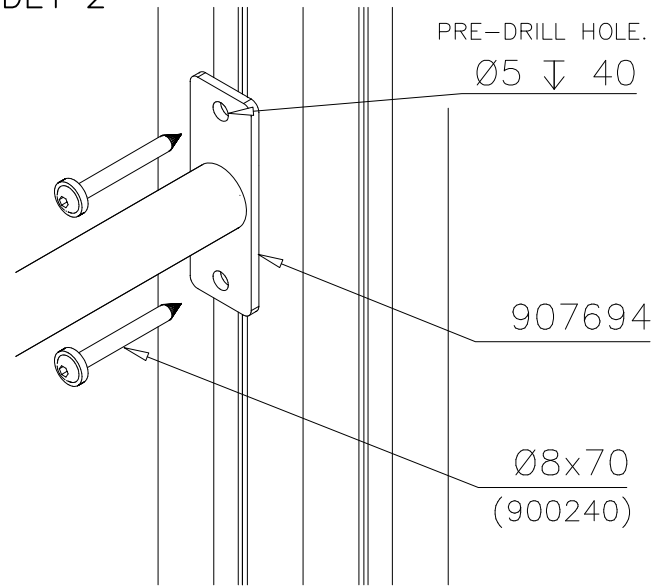
OPTIONS

| | | |
|---|------|--------|
|  | -301 | BLUE |
|  | -302 | RED |
| | -303 | BEIGE |
| | -304 | GRAY |
| | -305 | BLACK |
| | -306 | YELLOW |

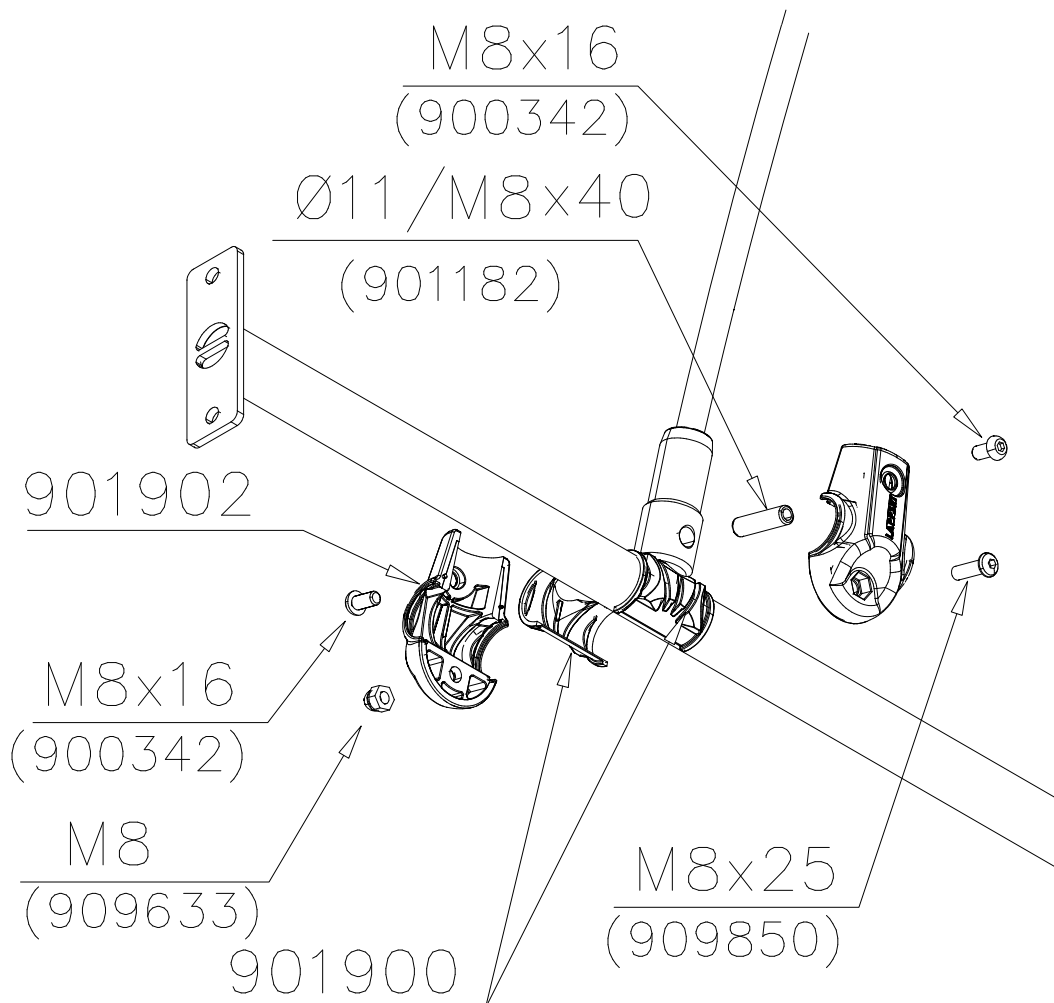
DET 1



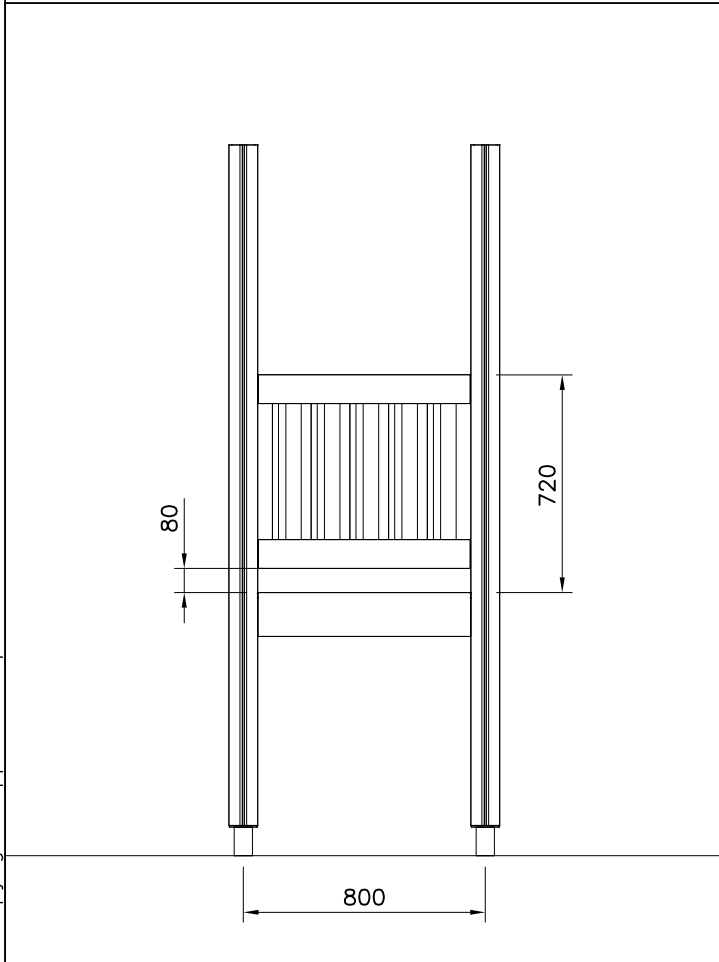
DET 2



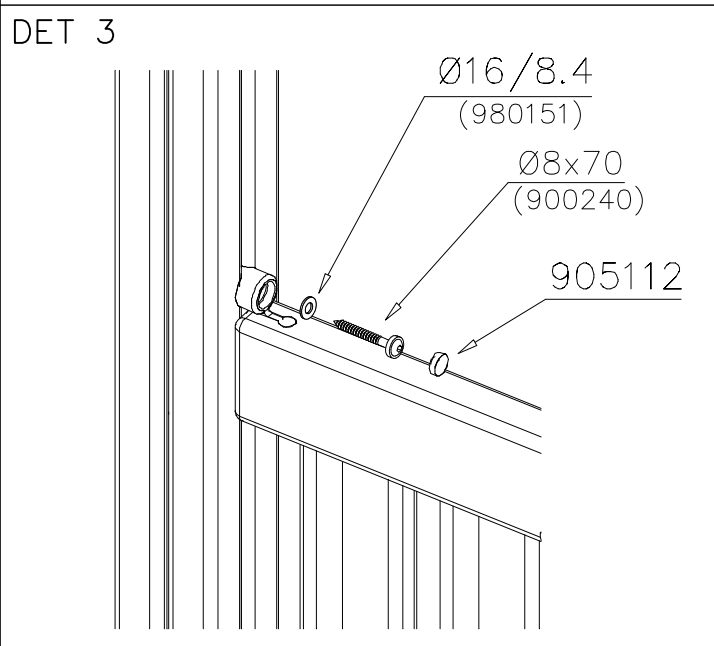
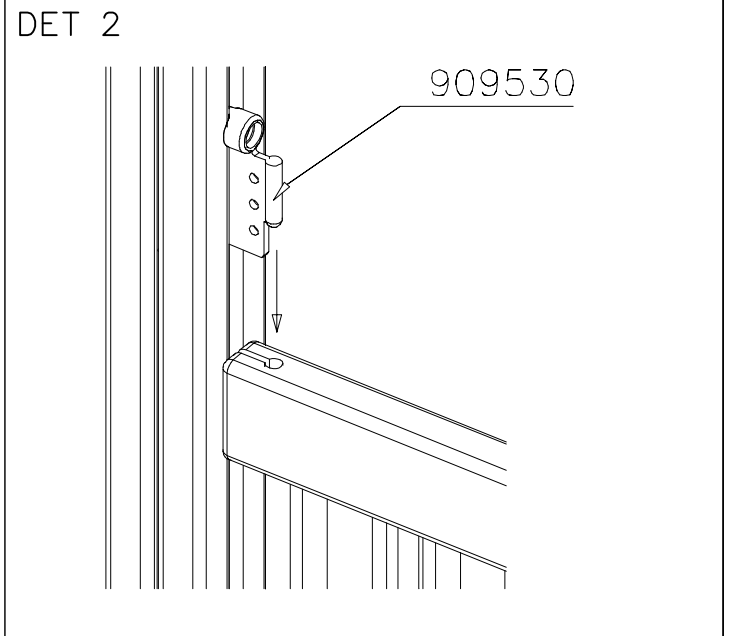
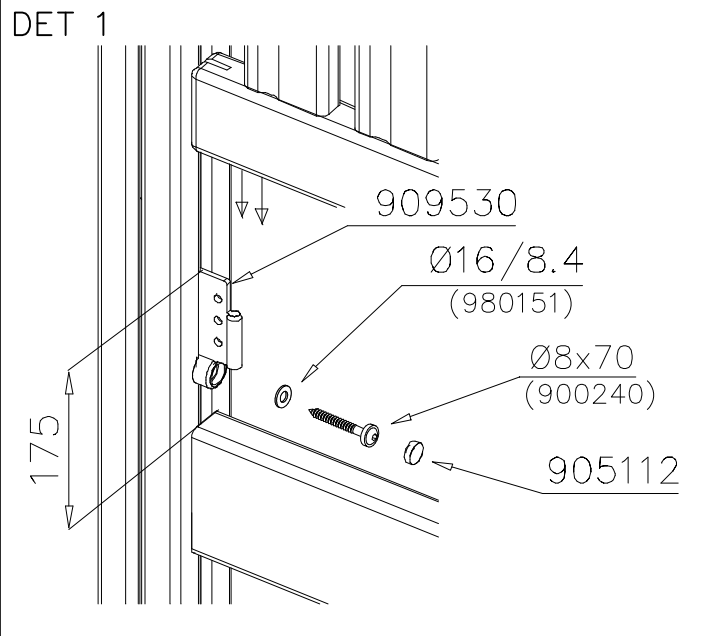
DET 3

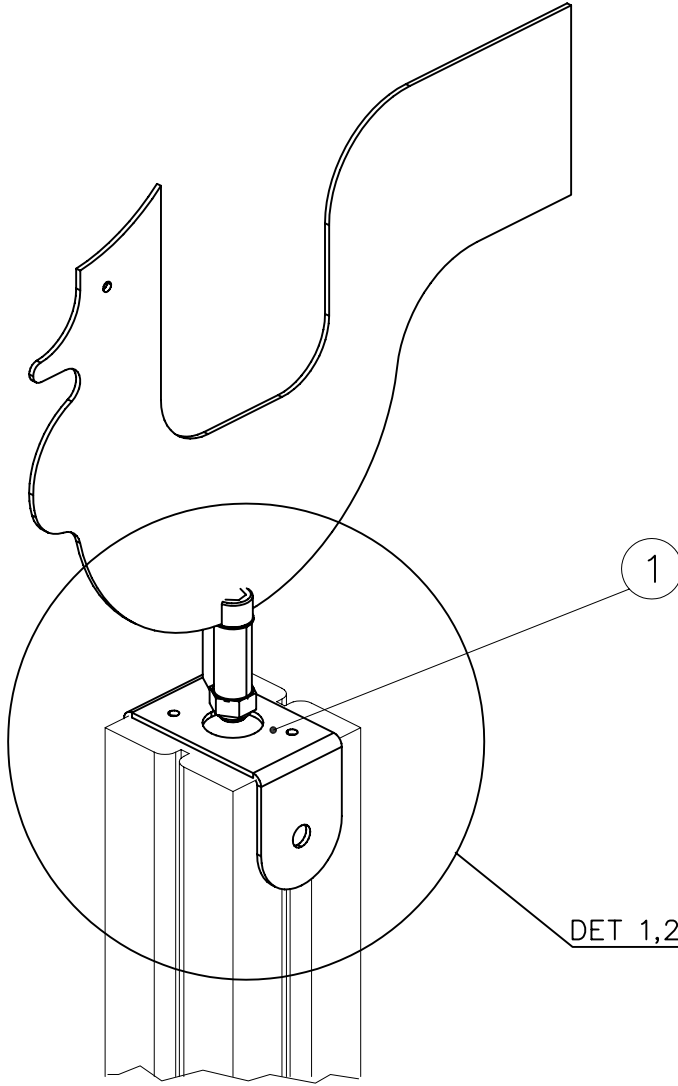


| | | | |
|------------|-----|-------------|-----|
| ① 706746 | PCS | ② 909530 | PCS |
| | 1 | | 4 |
| 45x640x701 | | 55.9x127.5 | |
| ③ 900240 | PCS | ④ 980151 | PCS |
| | 4 | | 4 |
| Ø8x70 | | Ø16/8.4x1.6 | |
| ⑤ 905112 | PCS | | PCS |
| | 4 | | |
| Ø22 | | | |
| | PCS | | PCS |



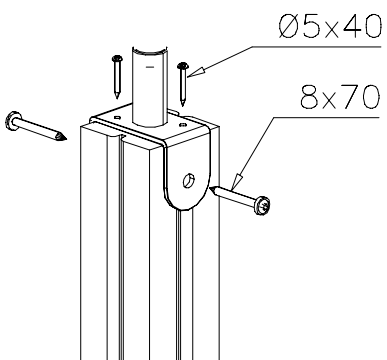
| WALL OPTIONS | | |
|--------------------------|------------|-----------|
| 706746 45x640x701 | 706746-605 | DARK GRAY |
| | 706746-606 | GRAY |
| | 706746-607 | RED |
| | 706746-608 | BLUE |
| | 706746-609 | GREEN |
| | 706746-610 | YELLOW |
| | 706746-611 | LIME |
| | 706746-612 | FUXIA |



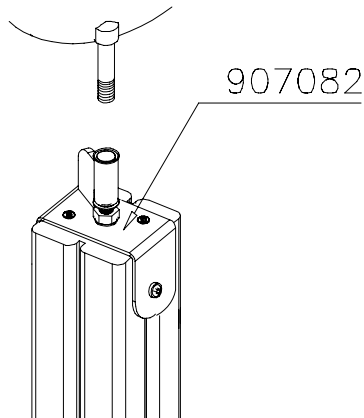


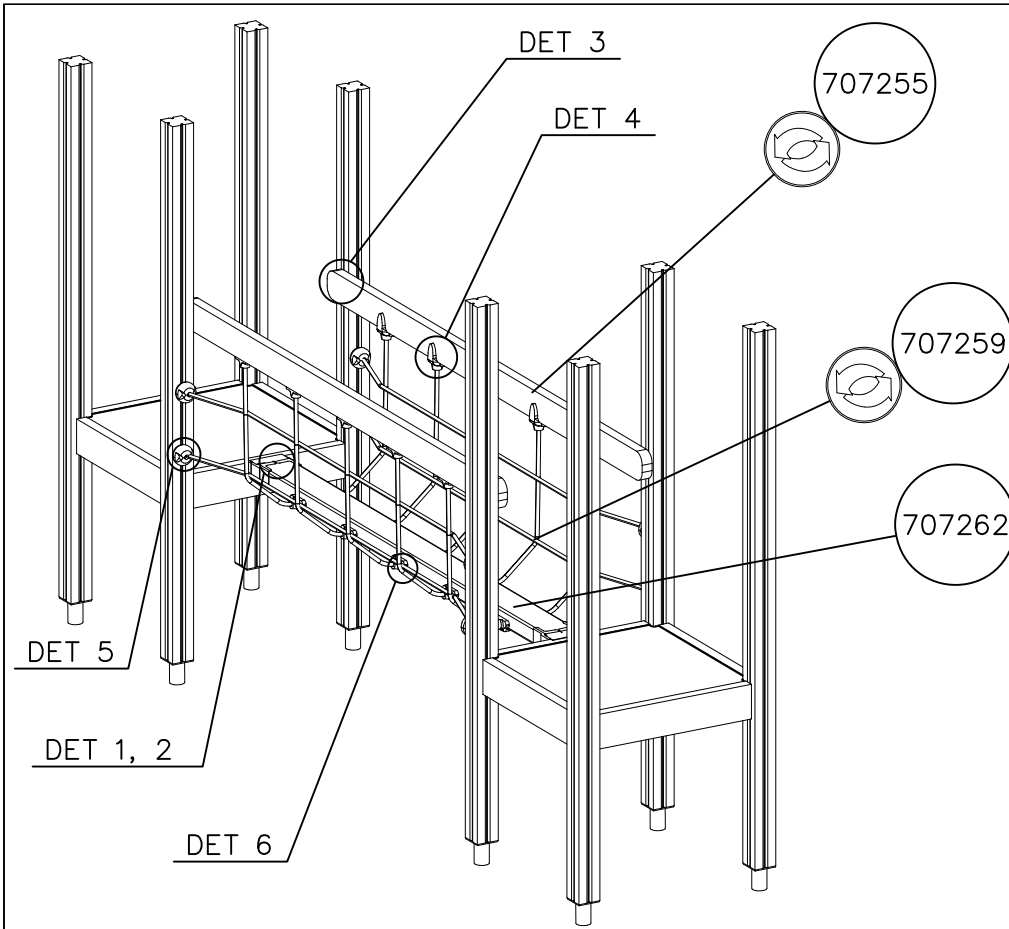
| | | | |
|----------|----------|----------|----------|
| ① 907082 | PCS 1 | ② 900240 | PCS 2 |
| | | | |
| | | Ø8x70 | |
| ③ 980106 | PCS 2 | | PCS |
| | | | |
| 5x40 | | | |
| | PCS | | PCS |
| | | | |
| | PCS | | PCS |
| | | | |
| | PCS | | PCS |
| | | | |
| ○ 007120 | PCS 1 | ○ 007121 | PCS 1 |
| | | | |
| | | | |
| ○ 007122 | PCS 1 | ○ 007123 | PCS 1 |
| | | | |
| | | | |
| ○ 007124 | PCS 1 | ○ 007125 | PCS 1 |
| | | | |
| | | | |

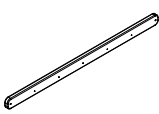
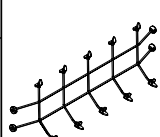







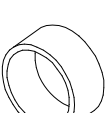
DET 1

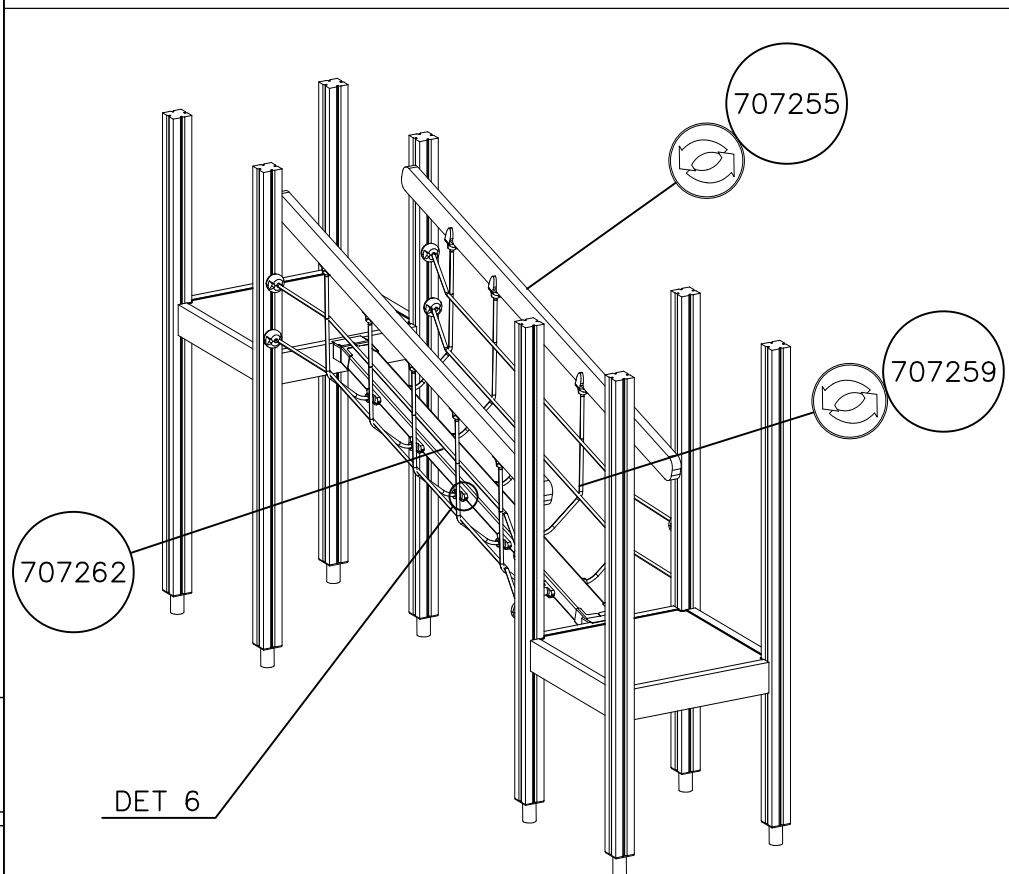


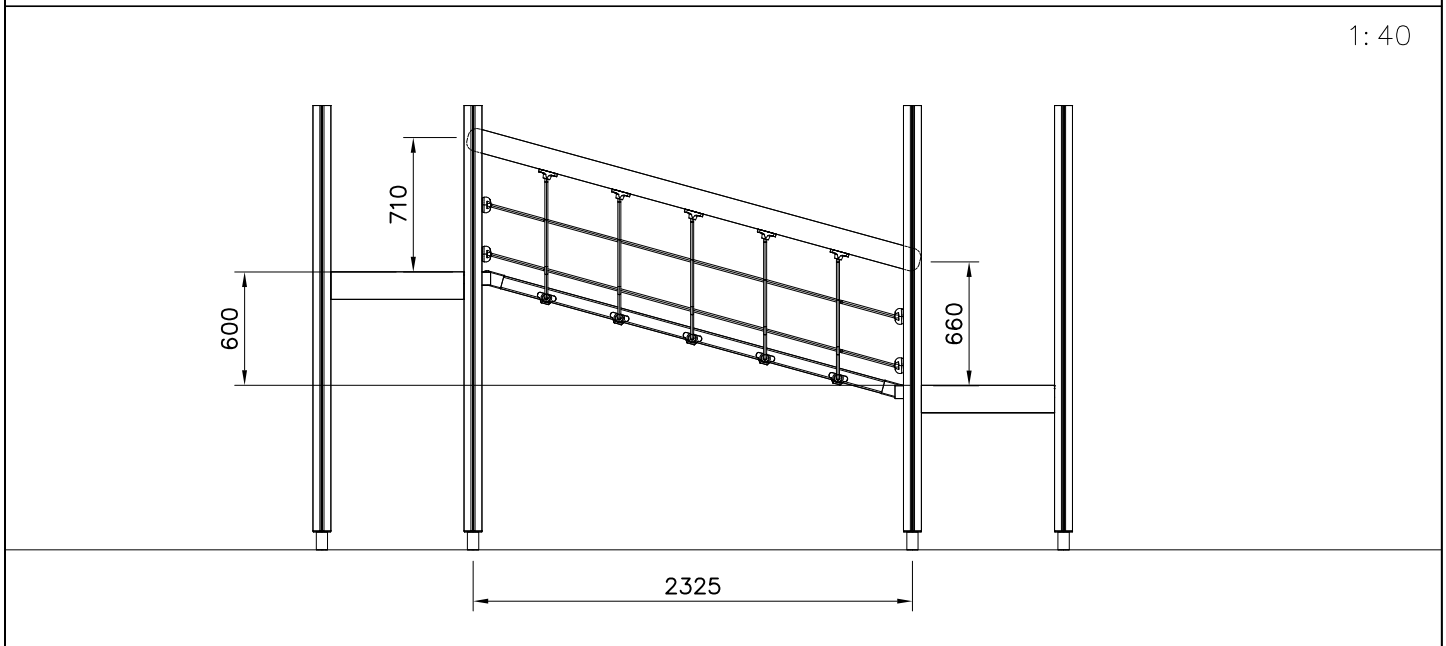
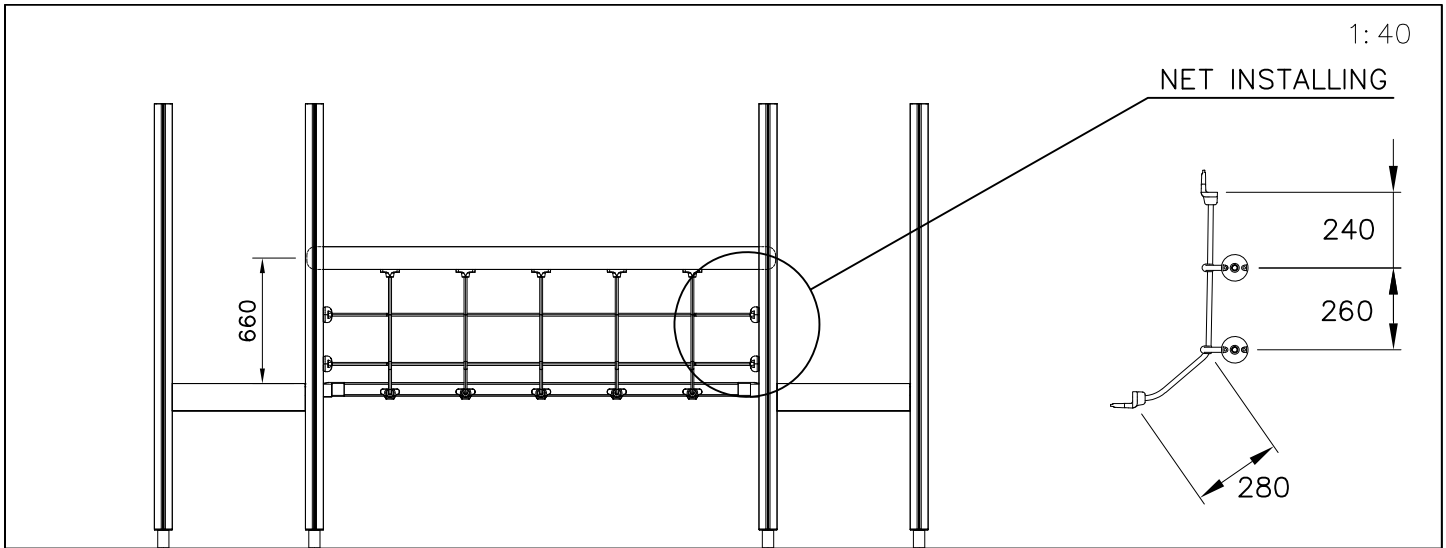
DET 2





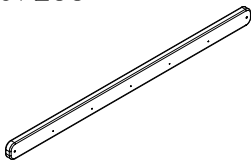
| | | | |
|---|-----|---|-----|
| ① 707255 | PCS | ② 707259 | PCS |
|  | 2 |  | 2 |
| 45x120x2480 | | 2340x800 | |
| ③ 707262 | PCS | ④ 980123 | PCS |
|  | 1 |  | 40 |
| | | Ø7x60 | |
| ⑤ 980128 | PCS | ⑥ 909232 | PCS |
|  | 28 |  | 4 |
| Ø7x40 | | 8x120 | |
| ⑦ 900240 | PCS | ⑧ 980151 | PCS |
|  | 16 |  | 4 |
| 8x70 | | Ø16/8.4 | |
| ⑨ 905083 | PCS | ⑩ 905112 | PCS |
|  | 4 |  | 8 |
| Ø32 | | Ø22 | |
| | PCS | | PCS |
| | | | |
| | PCS | | PCS |
| | | | |
| | PCS | | PCS |
| | | | |





BOOM OPTIONS

707255



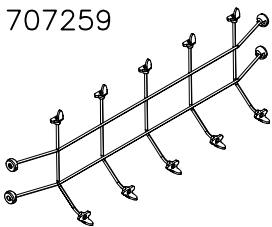
45x120x2480

| | |
|------------|-------------|
| 707255-602 | DARK BROWN |
| 707255-603 | LIGHT BROWN |
| 707255-604 | LIGHT GRAY |
| 707255-605 | DARK GRAY |
| 707255-606 | GRAY |
| 707255-607 | RED |

| | |
|------------|--------|
| 707255-608 | BLUE |
| 707255-609 | GREEN |
| 707255-610 | YELLOW |
| 707255-611 | LIME |
| 707255-612 | FUXIA |

NET OPTIONS

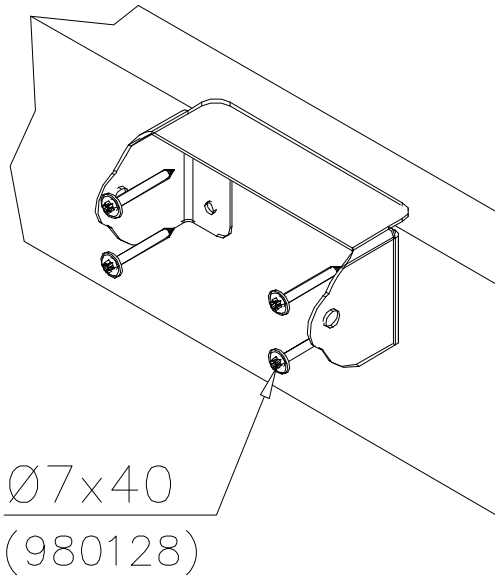
707259



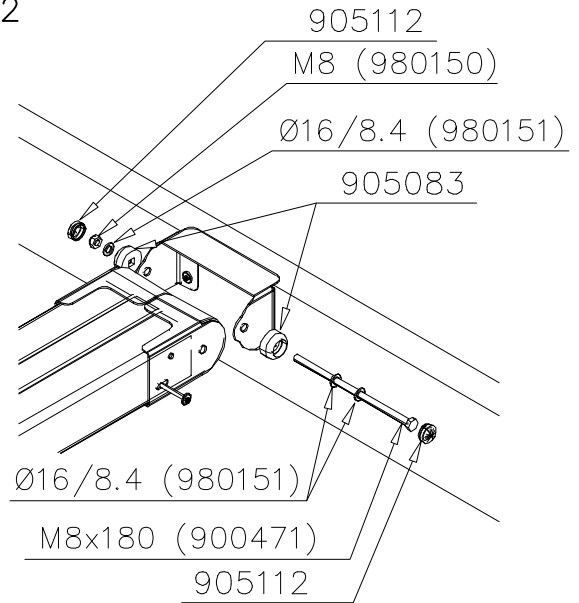
2340x800

| | |
|------------|--------|
| 707259-301 | BLUE |
| 707259-302 | RED |
| 707259-303 | BEIGE |
| 707259-304 | GRAY |
| 707259-305 | BLACK |
| 707259-306 | YELLOW |

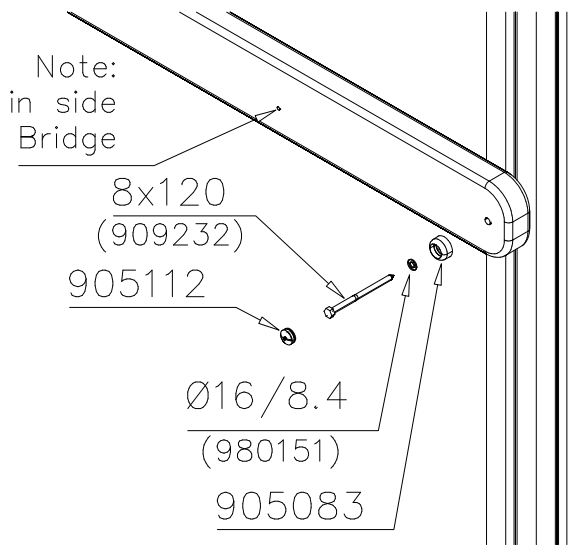
DET 1



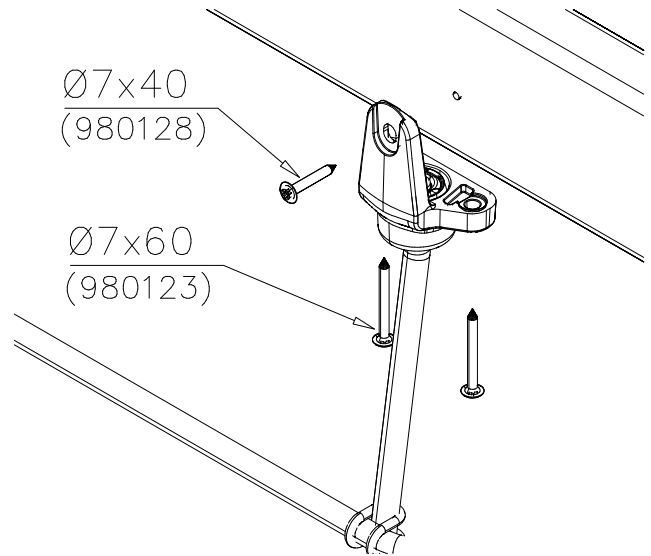
DET 2



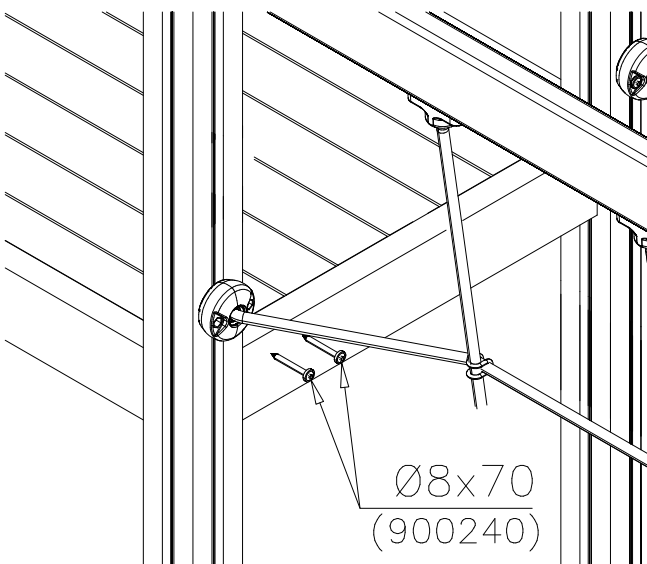
DET 3



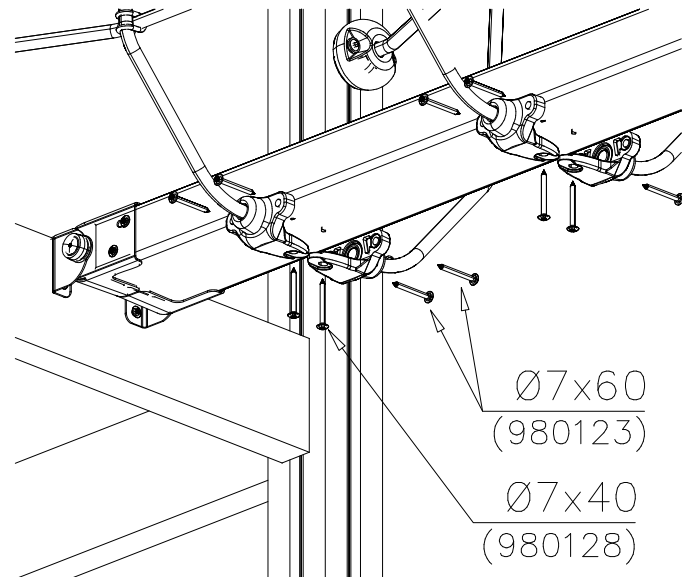
DET 4

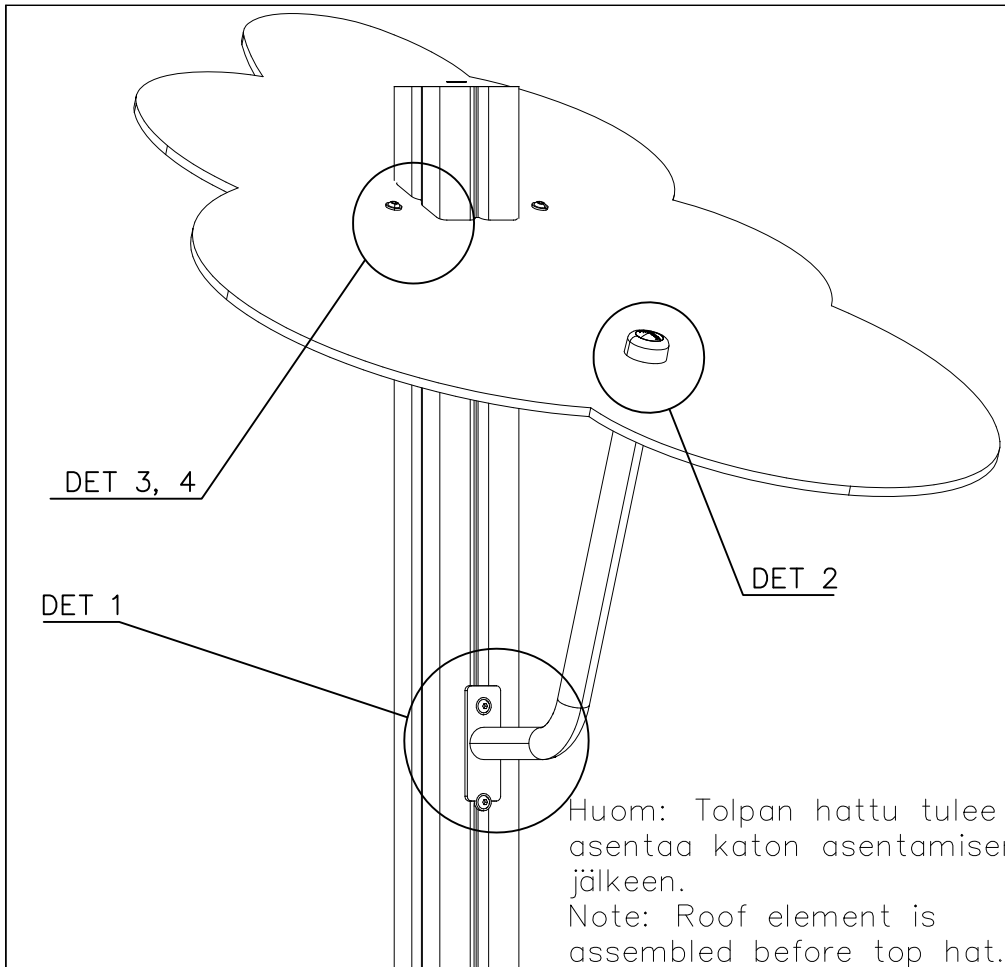


DET 5



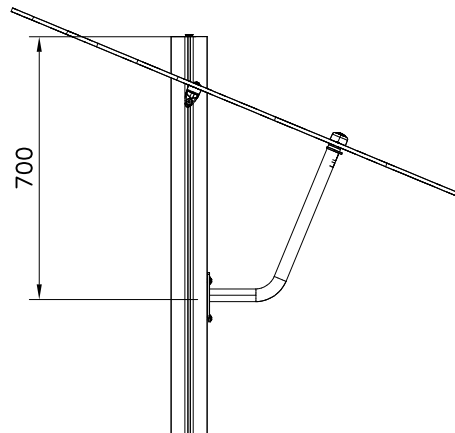
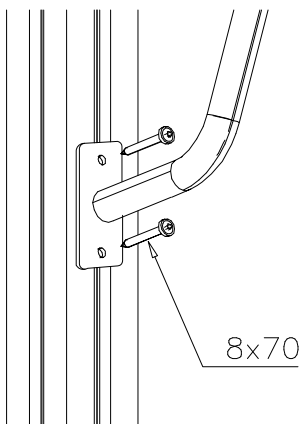
DET 6



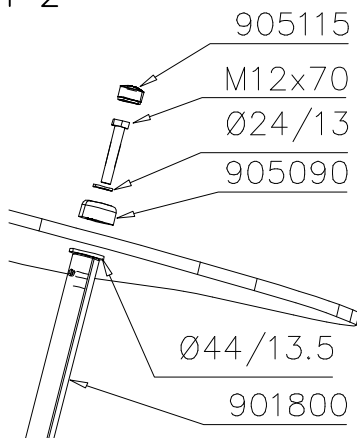


| | | | |
|----------|-----|----------|-----|
| ① 900240 | PCS | ② 901570 | PCS |
| | 4 | | 2 |
| Ø8x70 | | 36x55x55 | |
| ③ 980154 | PCS | ④ 905086 | PCS |
| | 1 | | 1 |
| Ø24/13 | | Ø44/13,5 | |
| ⑤ 905090 | PCS | ⑥ 905115 | PCS |
| | 1 | | 1 |
| Ø45 | | Ø30 | |
| ⑦ 909142 | PCS | ⑧ 980160 | PCS |
| | 1 | | 2 |
| M12x70 | | M8 | |
| ⑨ 909852 | PCS | | PCS |
| | 2 | | |
| M8x30 | | | |
| | PCS | | PCS |

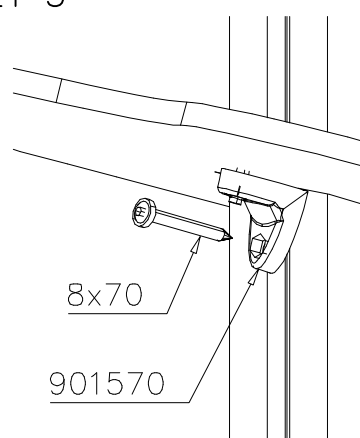
DET 1



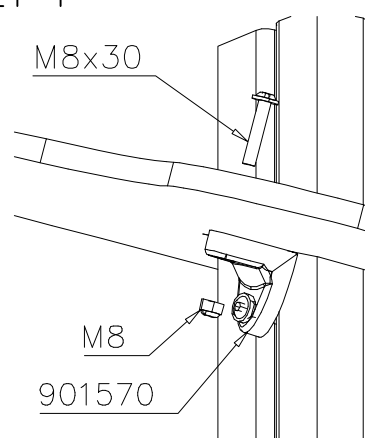
DET 2



DET 3

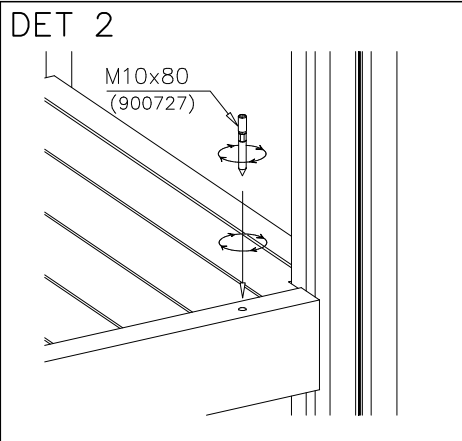
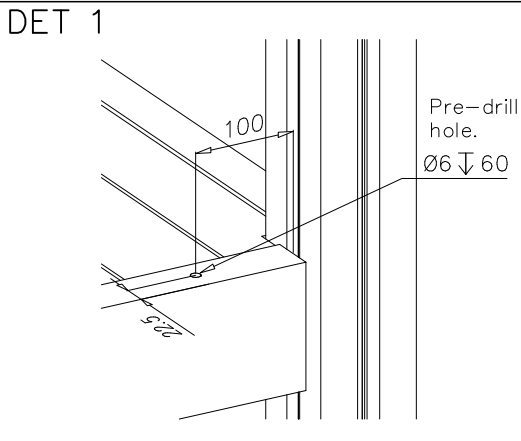


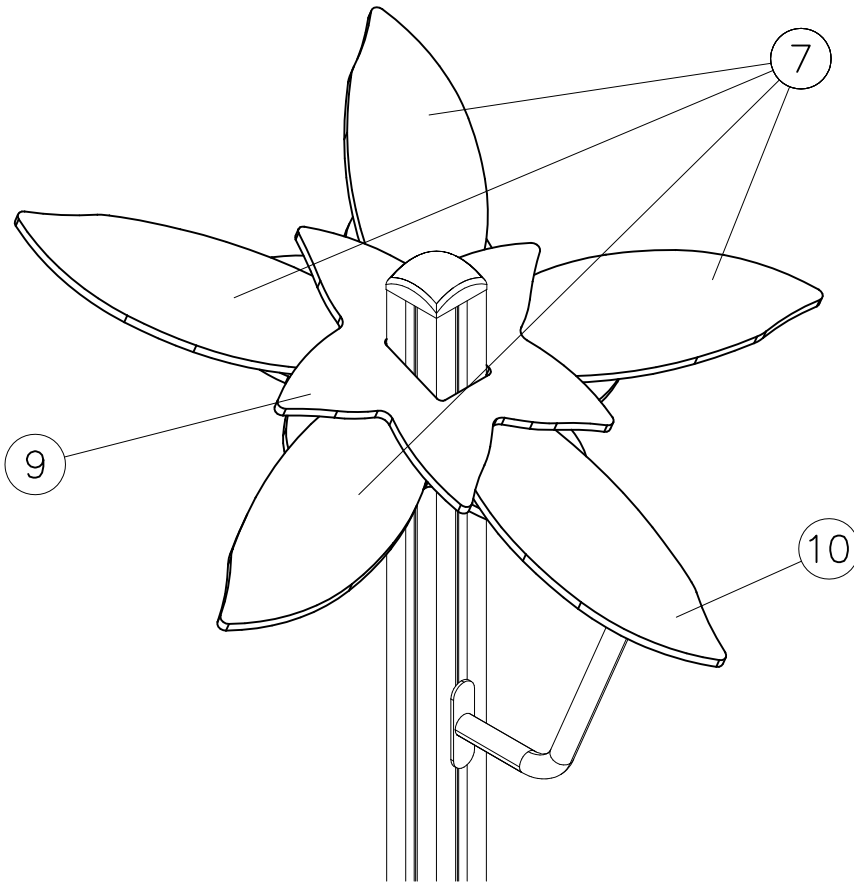
DET 4

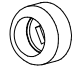

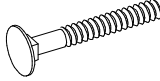



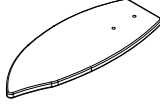
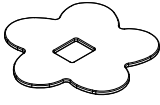

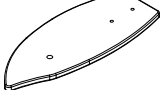




| | | | |
|---|-----|---|-----|
| ① 900240 | PCS | ② 900727 | PCS |
|  | 1 |  | 1 |
| Ø8x70 | | M10x80 | |
| | PCS | | PCS |
| | | | |
| | | | |
| ③ 907688 | PCS | ③ 907701 | PCS |
|  | 1 |  | 1 |
| 765 | | 545 | |
| | PCS | | PCS |
| | | | |
| | | | |
| | PCS | | PCS |
| | | | |
| | | | |
| | | | |
| | PCS | | PCS |
| | | | |
| | | | |
| | | | |
| | PCS | | PCS |
| | | | |
| | | | |





| | | | |
|---|-----|---|-----|
| ① 905083 | PCS | ② 905112 | PCS |
|  | 10 |  | 10 |
| Ø32 | | Ø22 | |
| ③ 909101 | PCS | ④ 909203 | PCS |
|  | 10 |  | 2 |
| M8x45 | | M8x75 | |
| ⑤ 980150 | PCS | ⑥ 980151 | PCS |
|  | 10 |  | 10 |
| M8 | | Ø16/8.4 | |
| ⑦ PG0899 | PCS | ⑧ PG0900 | PCS |
|  | 4 |  | 1 |
| ⑨ PH0297 | PCS | ⑩ PM0252 | PCS |
|  | 1 |  | 1 |
| | PCS | | PCS |
| | | | |
| | PCS | | PCS |
| | | | |
| | PCS | | PCS |
| | | | |

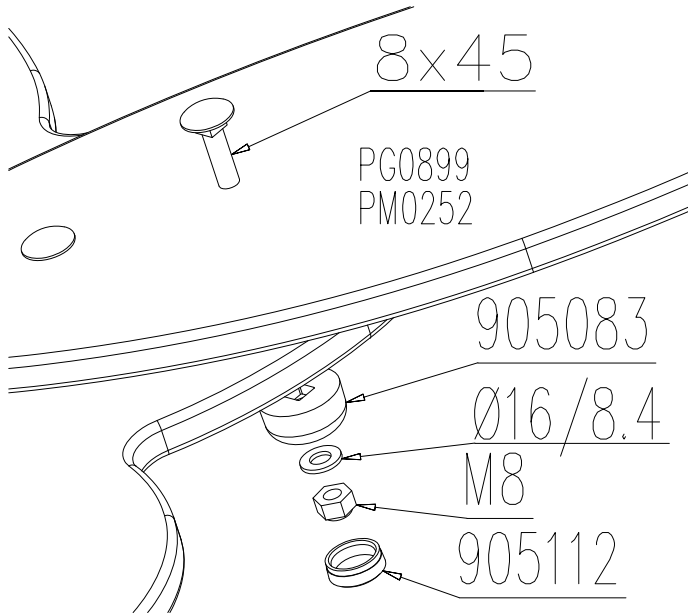
DET 3

DET 1

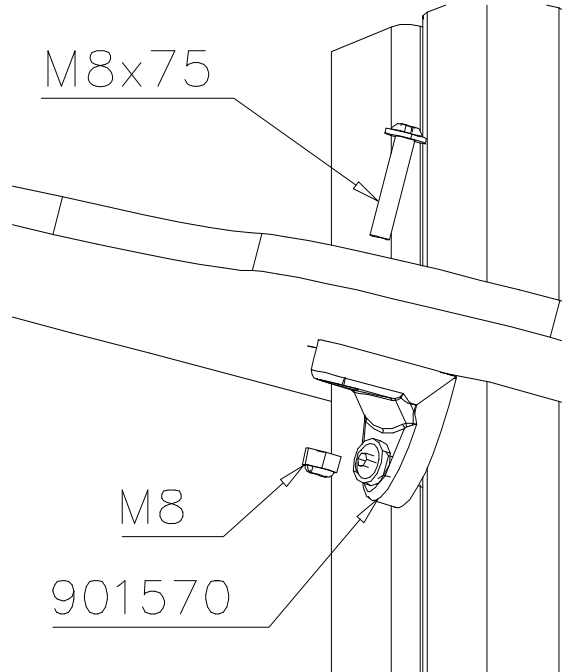
DET 2,4

901800

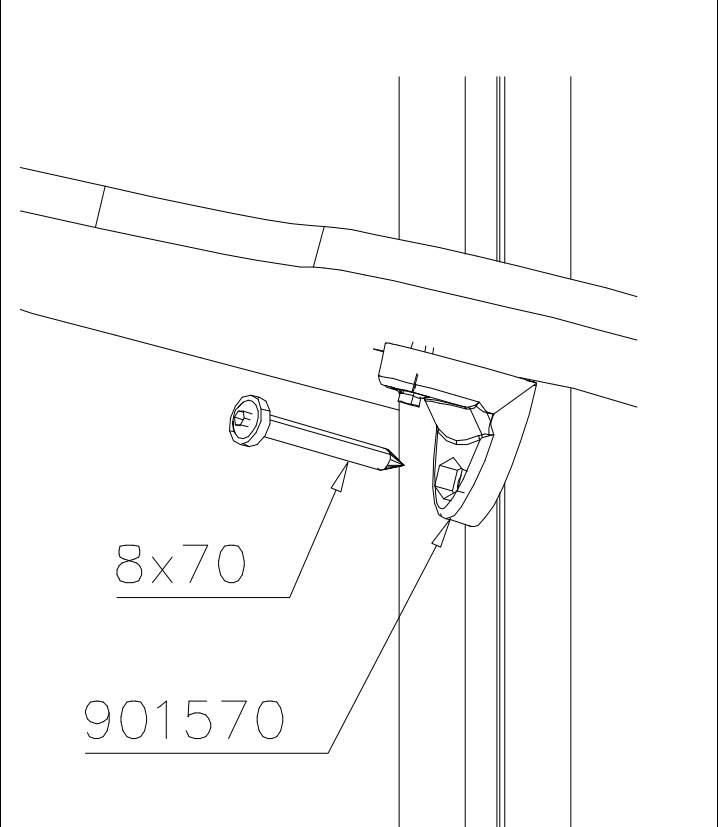
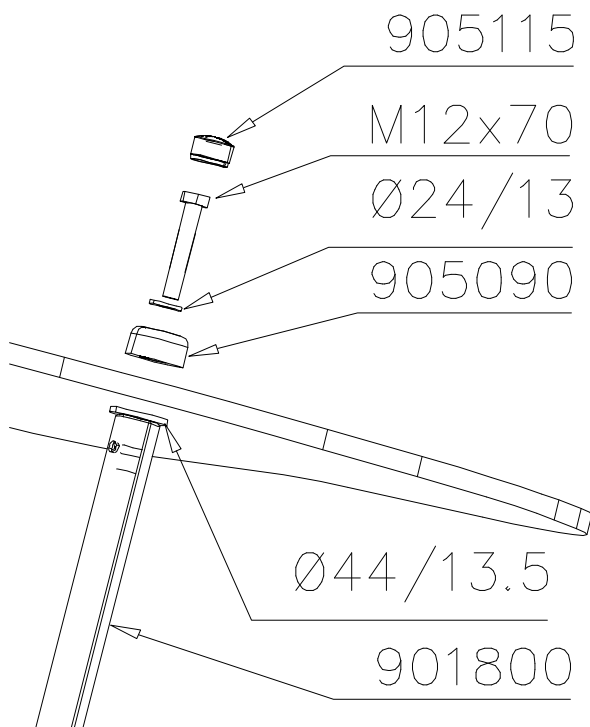
DET 1



DET 2



DET 3





Tuotekyltti tulee tuotteen mukana yhdellä seuraavista tavoista:

1) Metallinen tuotekyltti ja kiinnitysruuvit

- Kiinnitä tuotekyltti ruuveilla tolppaan noin 2 metrin korkeuteen kuvan 1 mukaisesti.

2) Tuotekyltitarra

- Puhdista maalattu metalli- tai vaneripinta pölystä ja kosteudesta. Liimaa tarra kuvan 2 mukaisesti.
- Huom. Älä kiinnitä tarraa karheapintaiseen laminaattiin tai maalattuun puuhun.

Vår produktmärkning levereras på ett av följande sätt:

1) Produktskylt i metall

- Fäst skylten med de medföljande skruvarna

2) Självhäftande produktetikett

- Rengör den pulverlackerade metallytan eller laminatyten så att den blir fri från smuts och fukt. Fäst etiketten enligt fig. 2.
- Obs! Fäst ej etiketten på detaljer med skrovlig yta eller på målat trä.

Product label is delivered by one of following ways:

1) Metal product label and screws

- Fasten the label with screws.

2) Label sticker

- Clean the painted metal or plywood surface from dirt and moisture. Fasten the sticker as shown in the figure 2.
- Note. Do not attach the sticker to rough surfaced laminate or painted wood.

La plaque d'informations produit est livrée sous l'une de ces 3 formes :

1) Plaque métallique et vis

- Fixez la plaque à l'aide des vis.

2) Etiquette autocollante

- Avant de coller l'étiquette, nettoyez le composant métallique peint ou la plaque de contreplaqué, de toute saleté. La surface doit être sèche (voir image 2).
- Attention, ne pas coller l'étiquette sur une surface lamellé-collée irrégulière ou sur du bois peint.

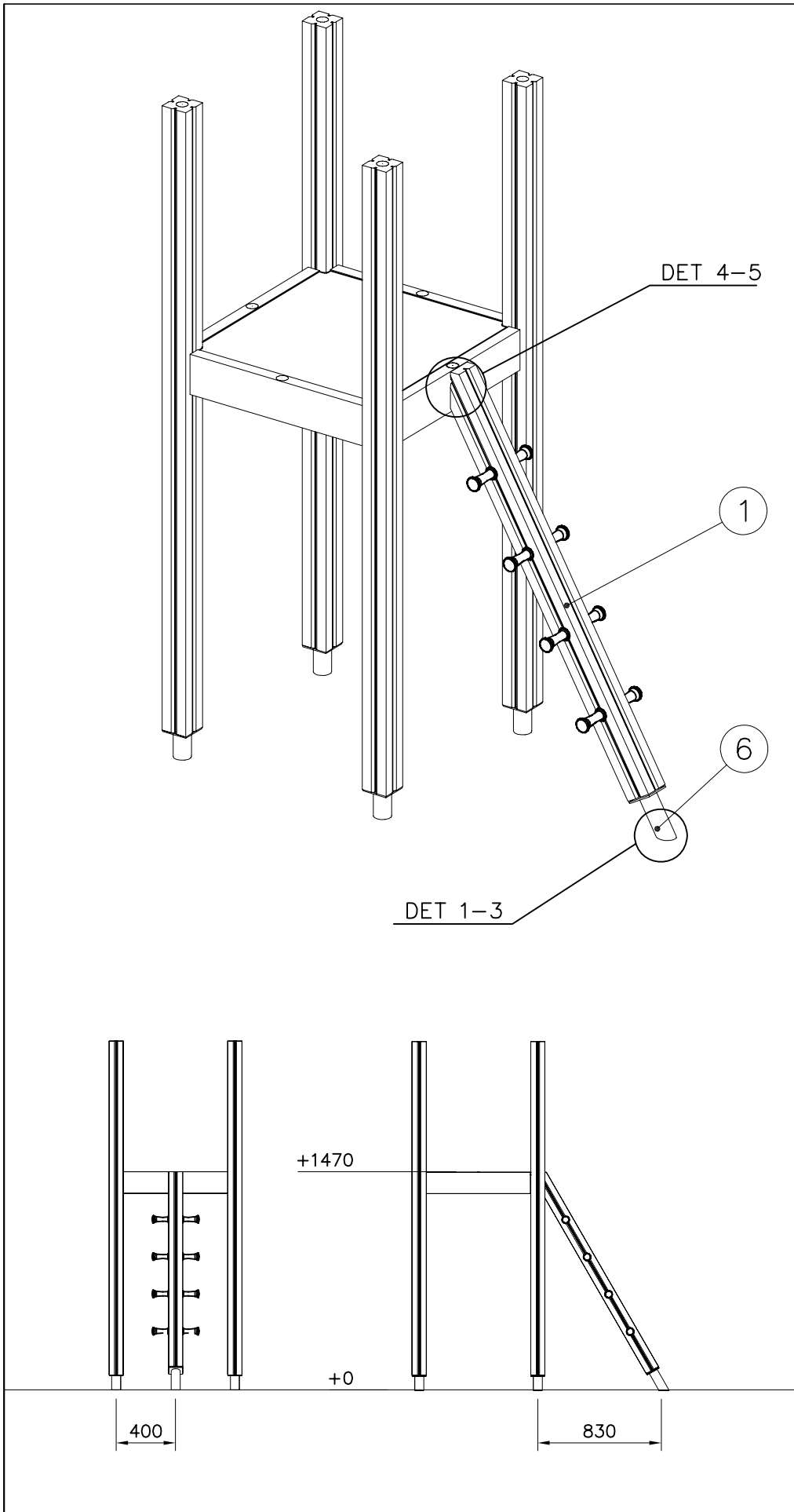
Die Auslieferung des Produktaufklebers erfolgt auf eine dieser Arten:

1) Produkt-Schild aus Metall incl. Schrauben

- Die Befestigung des Schildes erfolgt mittels der Schrauben.

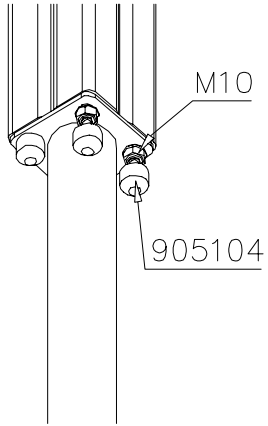
2) Aufkleber

- Entfernen Sie zunächst Schmutz und Feuchtigkeit vom lackierten Metall bzw. von der Holzoberfläche und bringen Sie den Aufkleber wie im Bild oben rechts beschrieben auf den gesäuberten Untergrund auf.
- Beachten Sie: Bringen Sie den Aufkleber nicht auf raues laminiertes oder lackiertes Holz an.

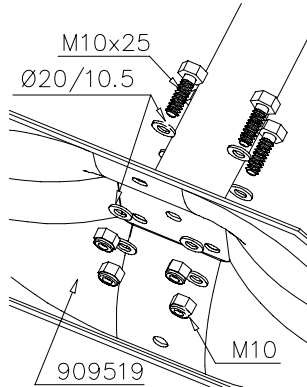


| | | | |
|----------|-----|----------|-----|
| ① 703132 | PCS | ② 905051 | PCS |
| | 1 | | 2 |
| ③ 905104 | PCS | ④ 909217 | PCS |
| | 4 | | 1 |
| ⑤ 909233 | PCS | ⑥ 909511 | PCS |
| | 1 | | 1 |
| ⑦ 909519 | PCS | ⑧ 909637 | PCS |
| | 1 | | 4 |
| ⑨ 909638 | PCS | ⑩ 909639 | PCS |
| | 8 | | 4 |
| | PCS | | PCS |
| | PCS | | PCS |
| | PCS | | PCS |

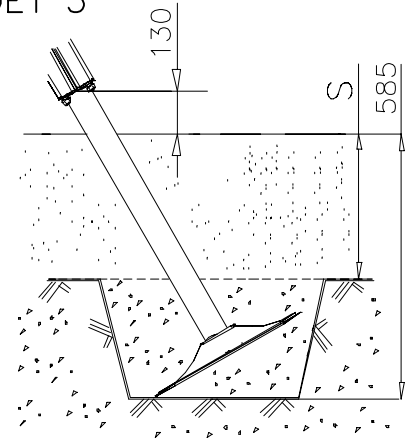
DET 1



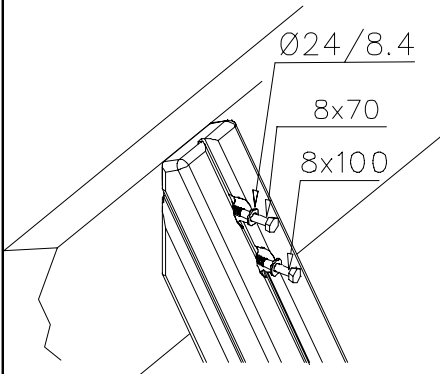
DET 2



DET 3



DET 4



DET 5

