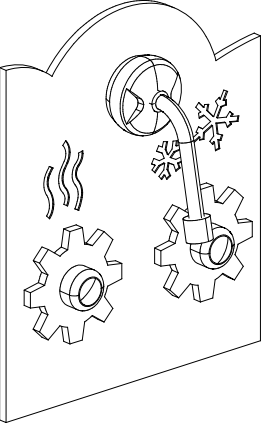
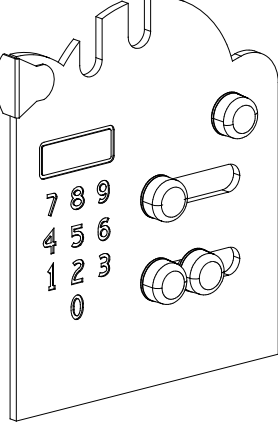
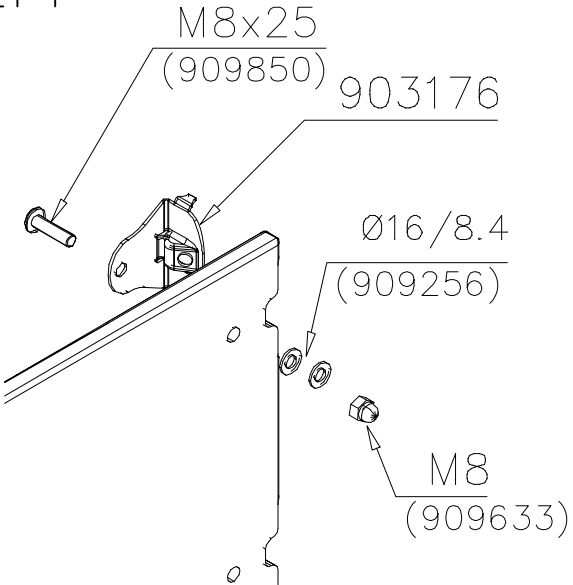
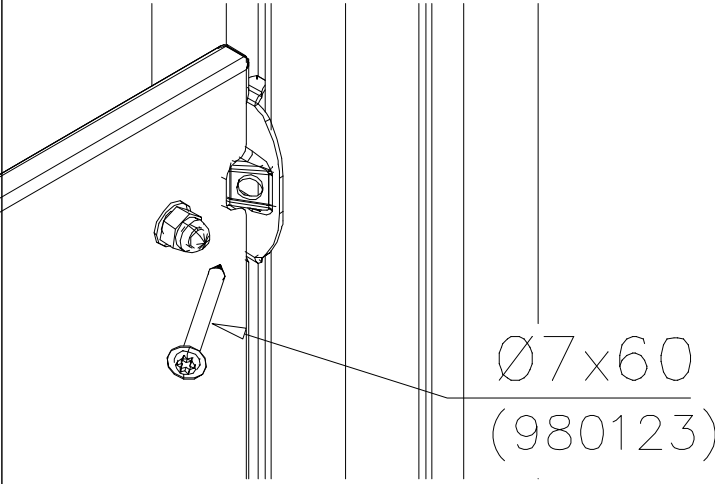
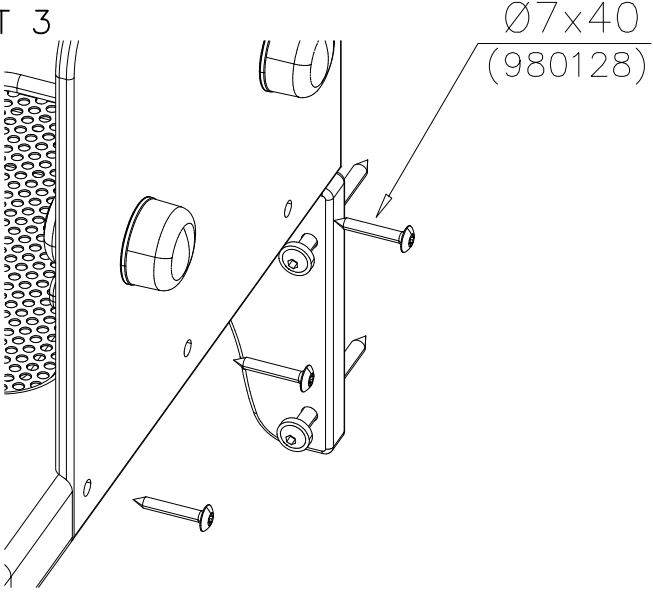
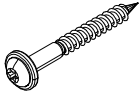
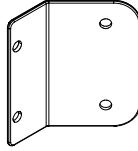
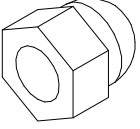
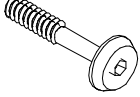
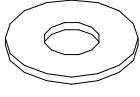
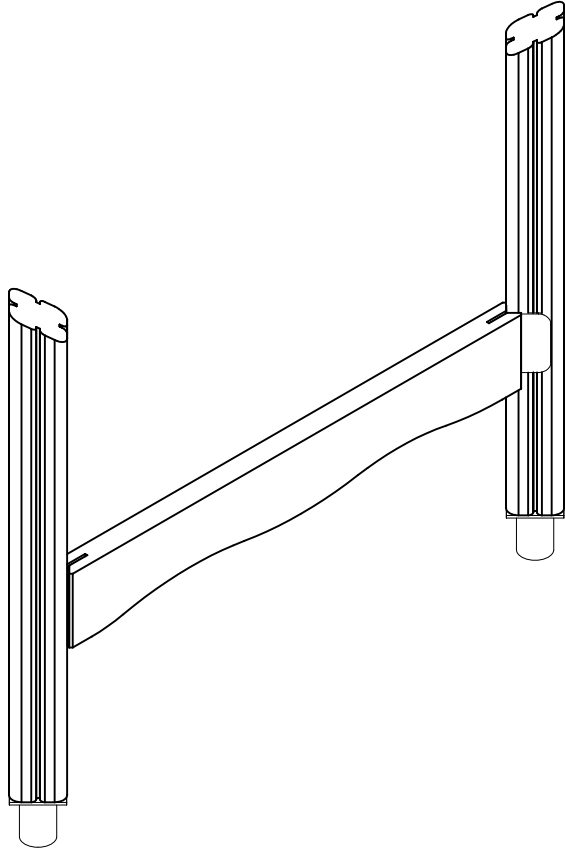


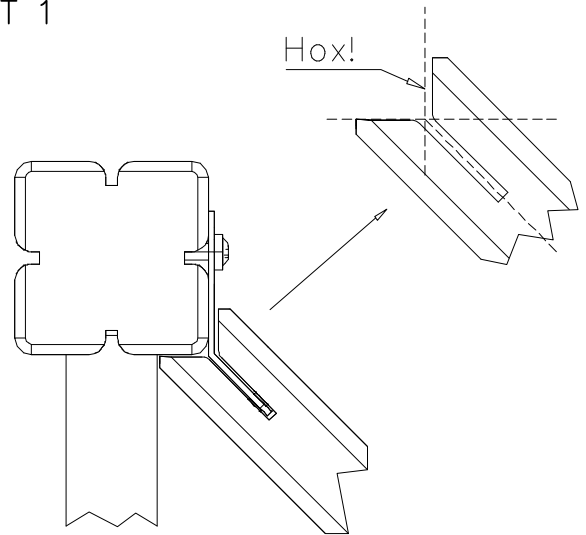
①	903176	PCS	②	909850	PCS
		1			1
				M8x25	
③	980128	PCS	④	909256	PCS
		3			2
	Ø7x40			Ø16/8.4	
⑤	909633	PCS	⑥	980123	PCS
		1			1
	M8			Ø7x60	
		PCS			PCS
		PCS			PCS
		PCS			PCS
		PCS			PCS
		PCS			PCS

WALL OPTIONS		WALL COLOR OPTIONS	
<p>709351*</p>  <p>10x351x423</p>	<p>709372*</p>  <p>10x351x423</p>	<p>–701 BLUE</p> <p>–702 YELLOW</p> <p>–703 LIME</p> <p>–704 DARK GREY</p> <p>–705 GREY</p> <p>–706 RED</p> <p>–707 GREEN</p> <p>–708 FUCHSIA</p>	
<p>DET 1</p>  <p>M8x25 (909850)</p> <p>903176</p> <p>Ø16/8.4 (909256)</p> <p>M8 (909633)</p>	<p>DET 2</p>  <p>Ø7x60 (980123)</p>		
<p>DET 3</p>  <p>Ø7x40 (980128)</p>	<p>*Note:</p> <p>Wall 709351 compatible only with table 709406</p> <p>Wall 709372 compatible only with table 709374</p>		

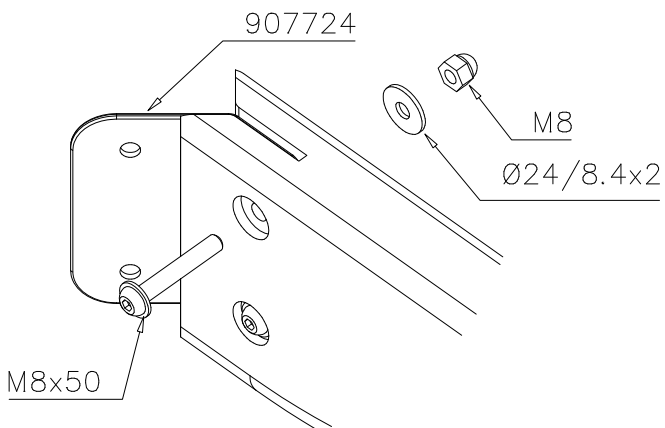
① 900240	PCS 4	② 907724	PCS 2	③ 909633	PCS 4	④ 909868	PCS 4	⑤ 980152	PCS 4
									
Ø8x70		3x115x110		M8		M8x50		Ø24/8.4x2	



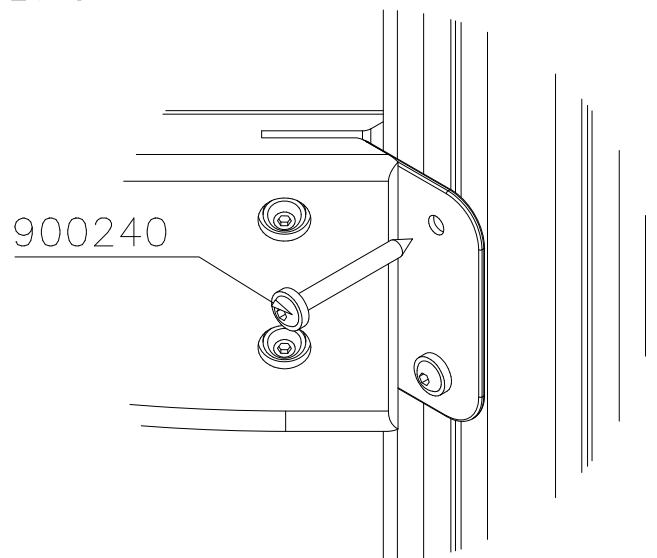
DET 1

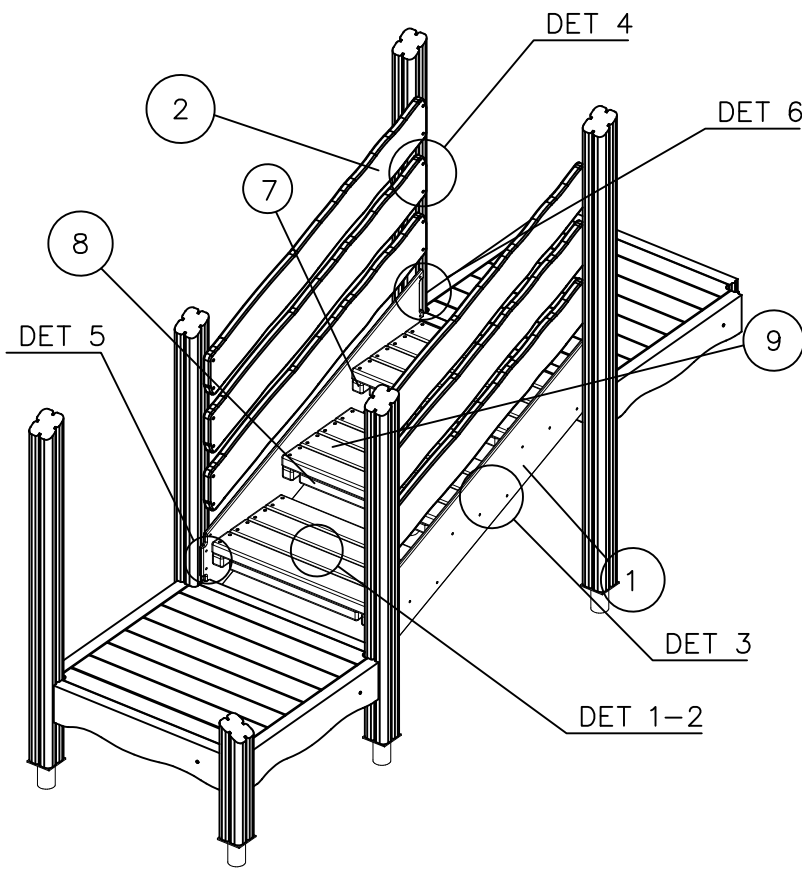


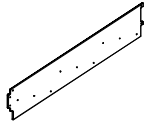

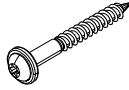
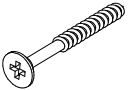


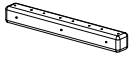


DET 2

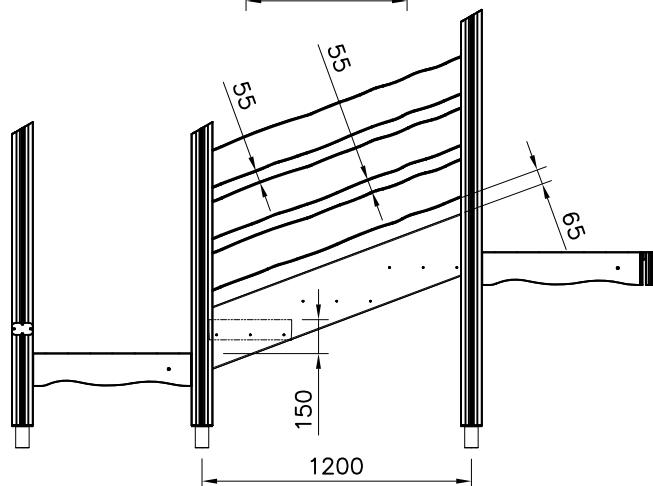
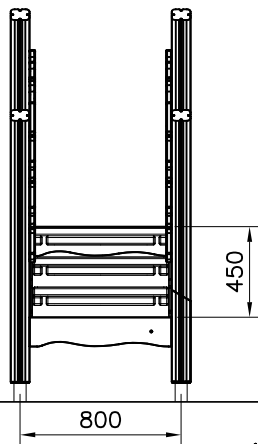


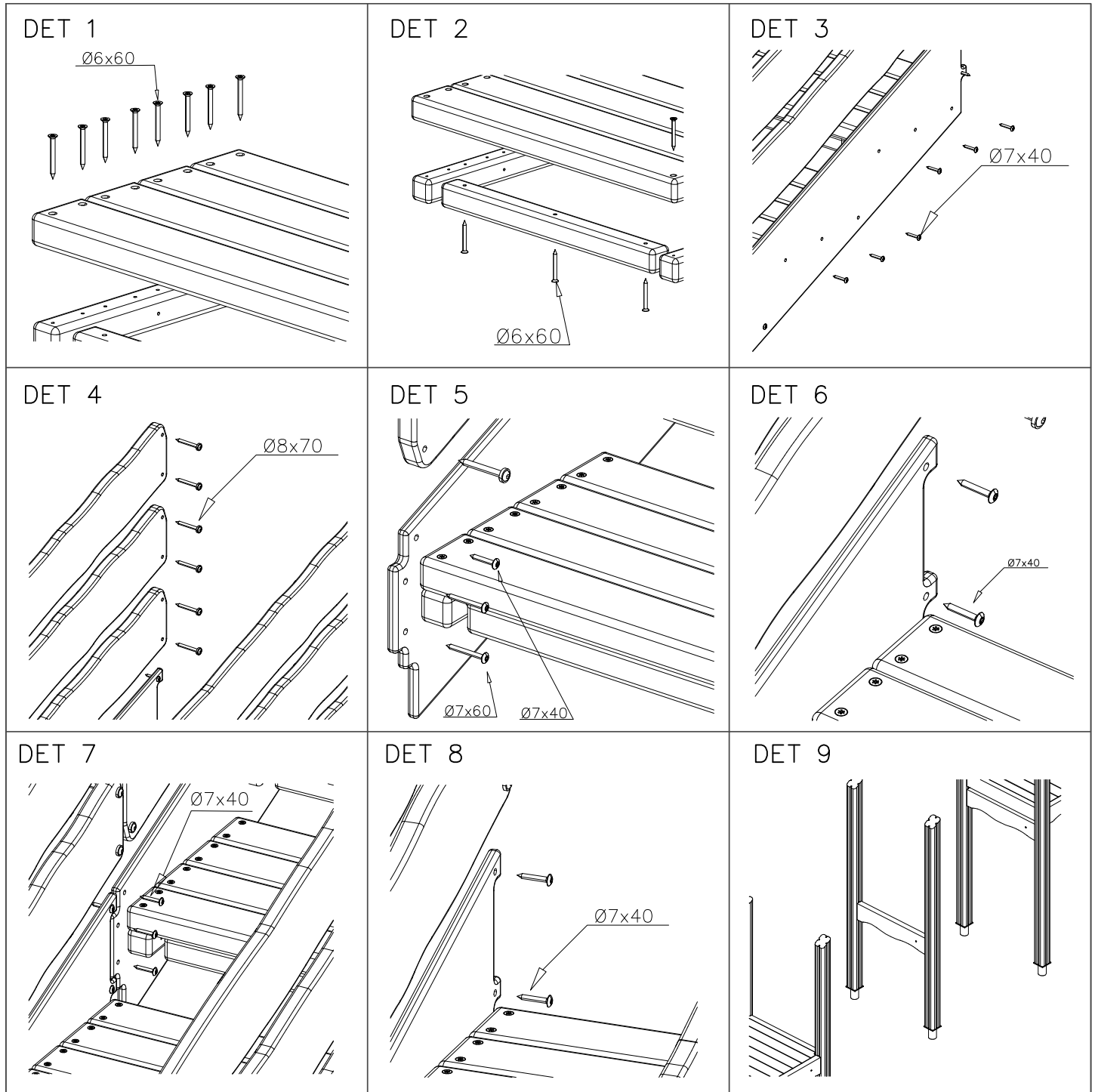
DET 3

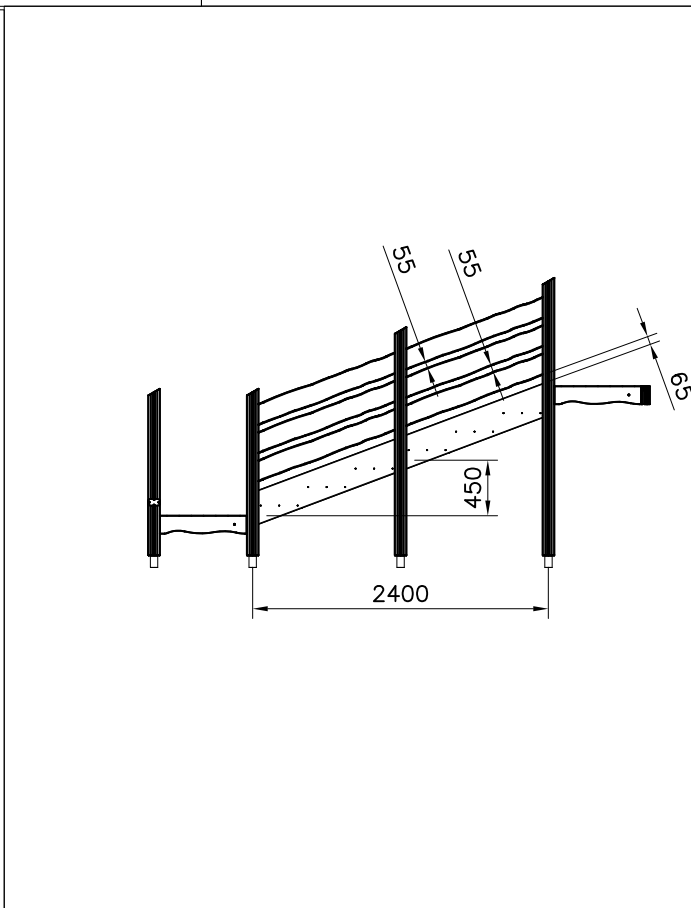
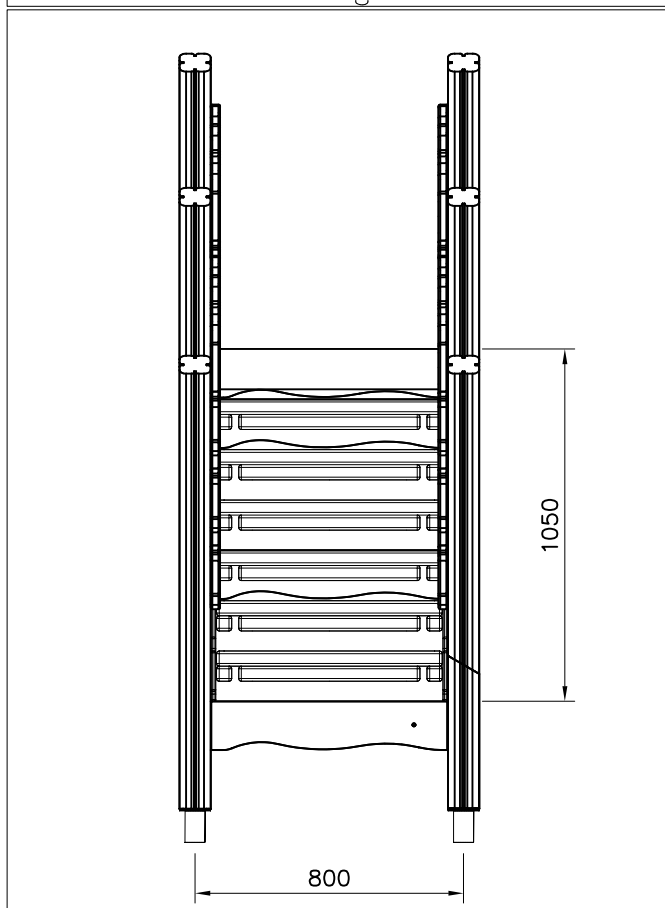
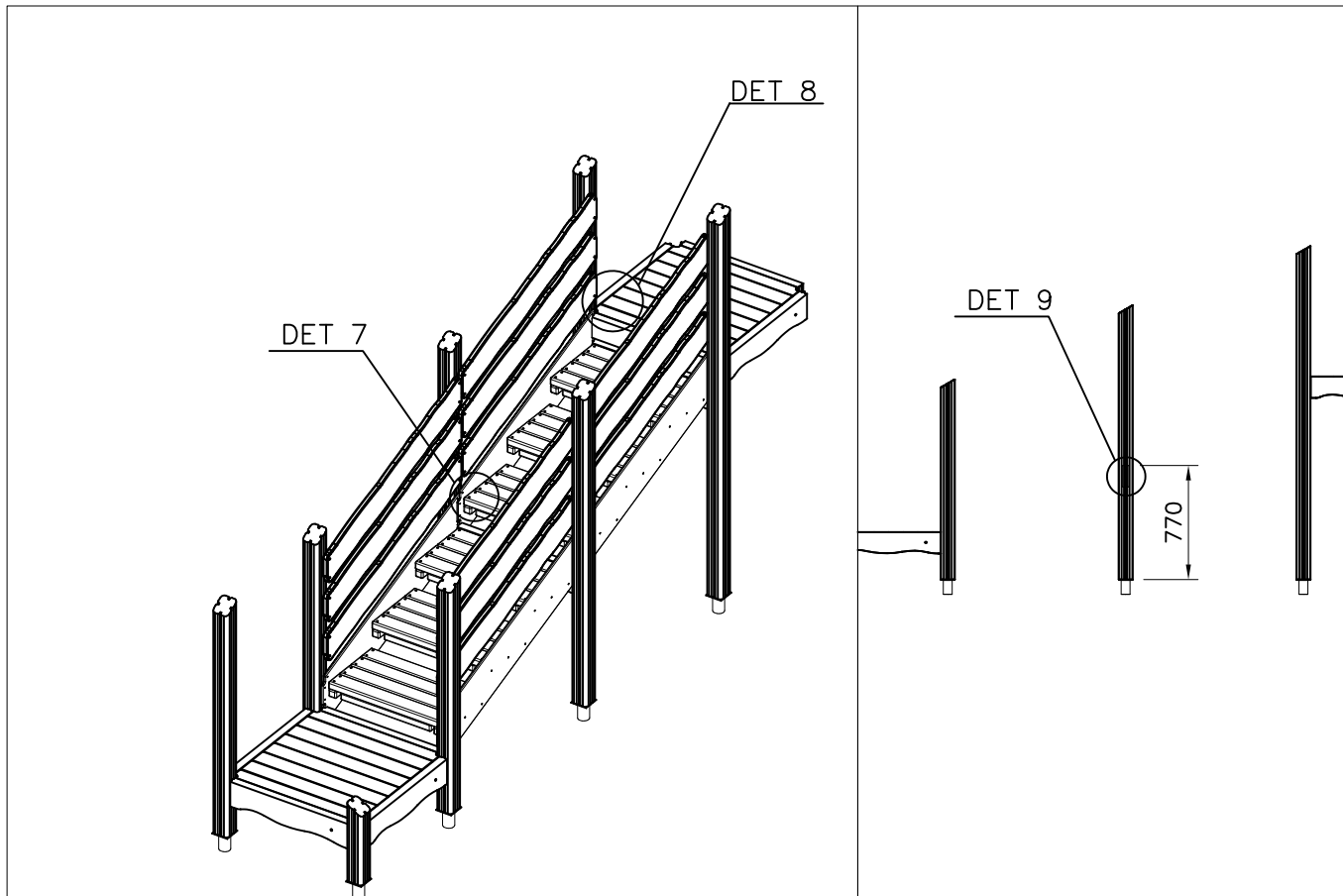


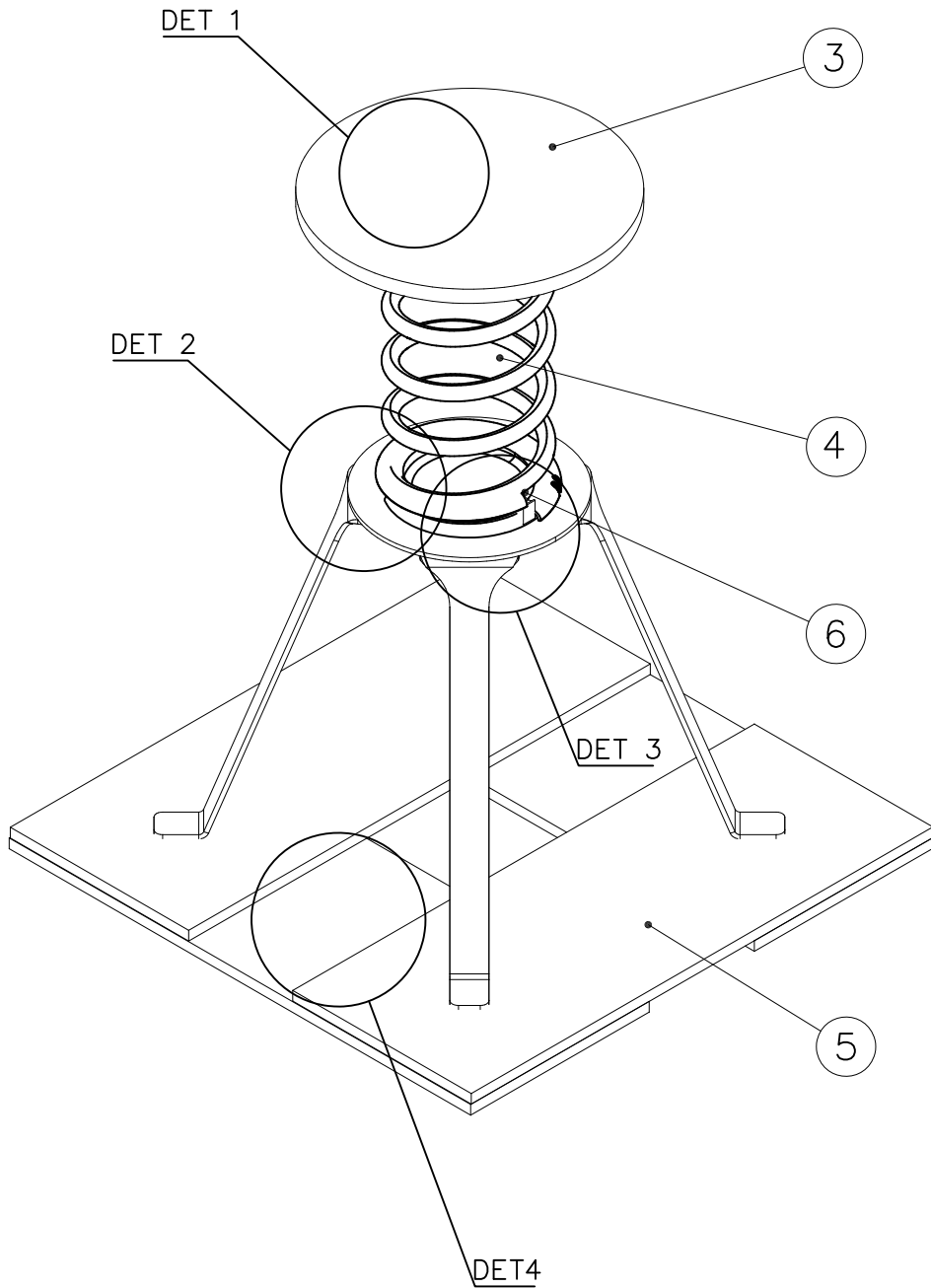


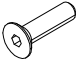

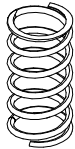
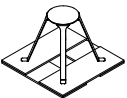




① 709832	PCS	② 709332	PCS
	2		6
15x292x1360		28x160x1300	
③ 900240	PCS	④ 980107	PCS
	24		57
Ø8x70		Ø6x60	
⑤ 980123	PCS	⑥ 980128	PCS
	4		24
Ø7x60		Ø7x40	
⑦ P13581	PCS	⑧ P13582	PCS
	6		3
45x45x380		45x45x540	
⑨ P13583	PCS		PCS
	12		
45x95x672			
	PCS		PCS
	PCS		PCS
	PCS		PCS

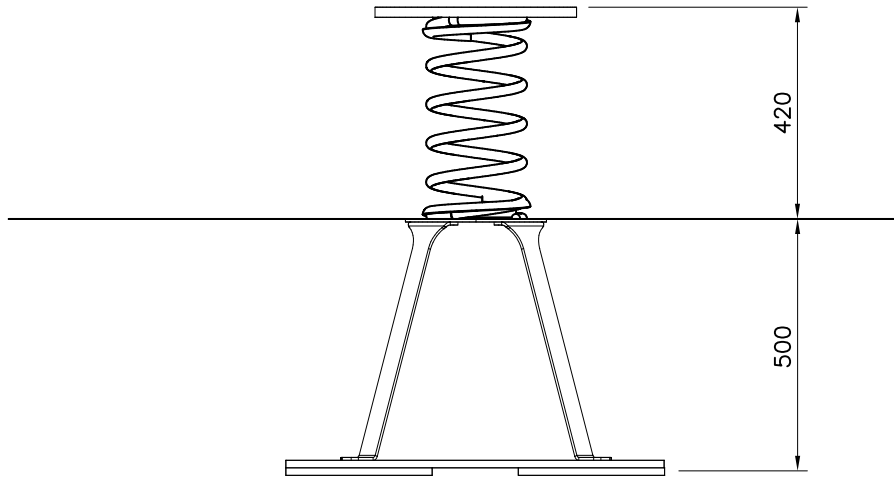




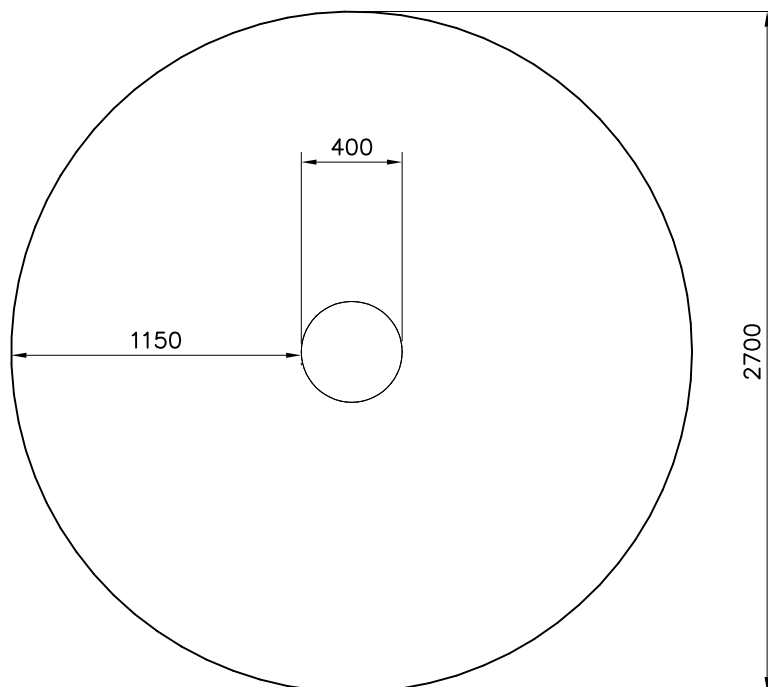




①	702286	PCS	②	901487	PCS
		1			3
	90x50		M10x40		
③	705432	PCS	④	903192	PCS
		1			1
	Ø400		20x200		
⑤	705101	PCS			PCS
		1			
			⑥	903191	PCS
				M10x35 (902252)	2
				Ø20/10.5x2 (901302)	PCS
				M10 (909637)	
				19x21x25 (903193)	
		PCS			PCS
		PCS			PCS
		PCS			PCS

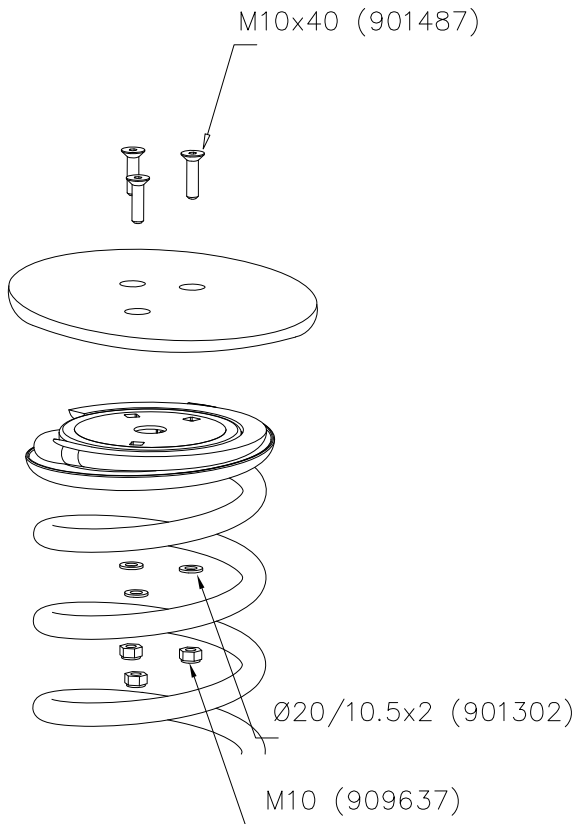


- EN Impact Area 5.7 m<sup>2</sup>
- Falling Space 5.7 m<sup>2</sup>
- Max Falling Height 420 mm

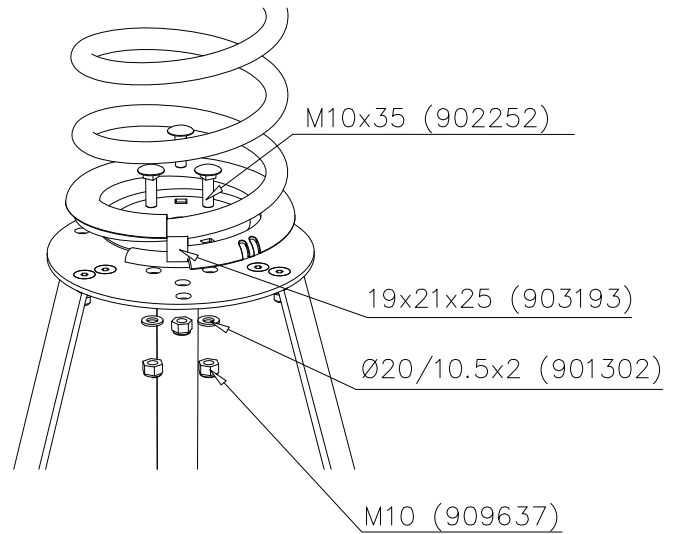




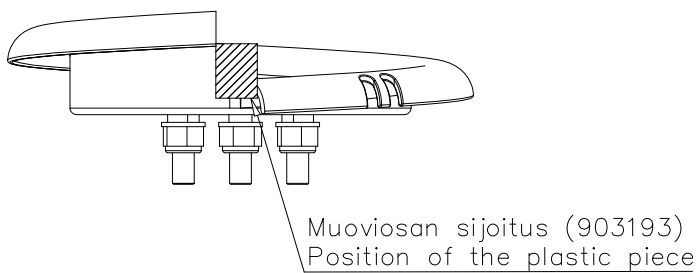
DET 1



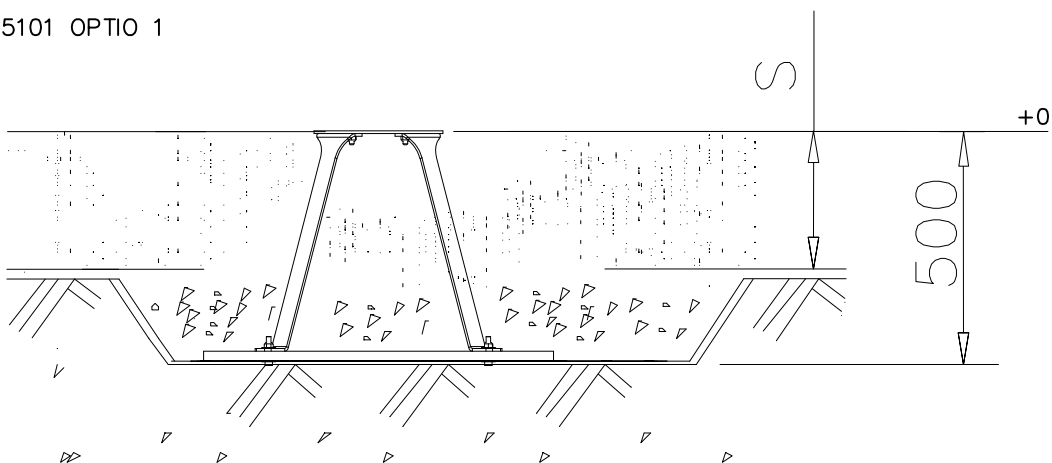
DET 2

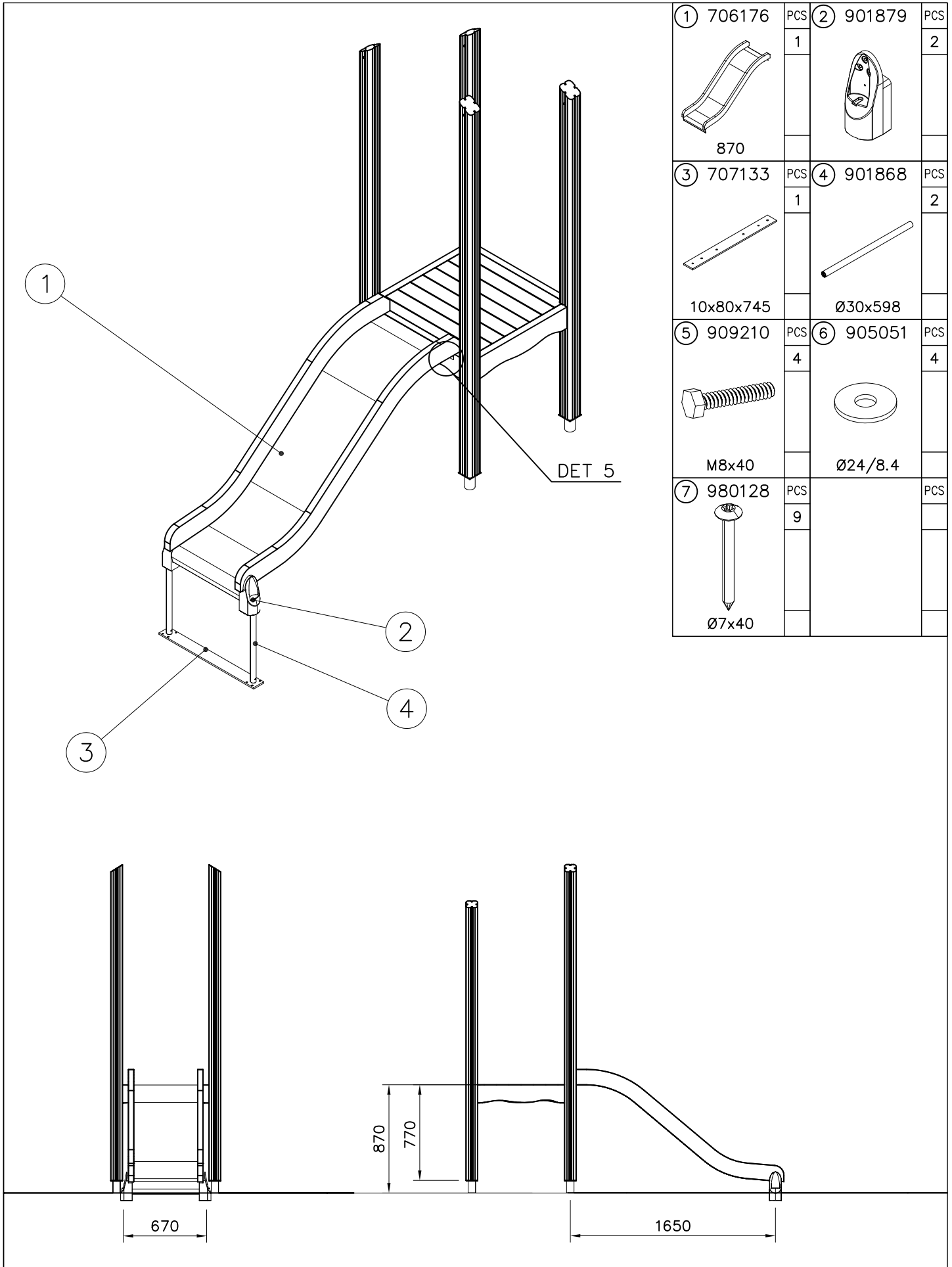


DET 3

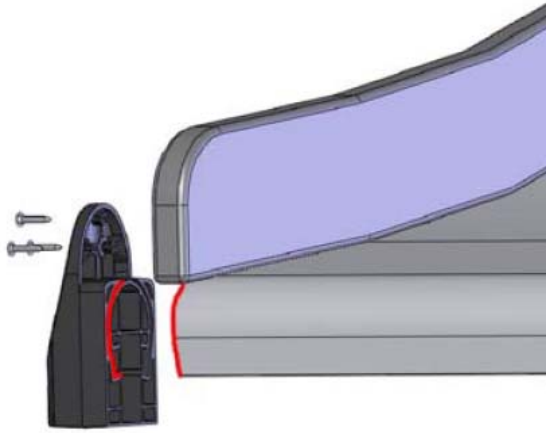


DET 4 705101 OPTIO 1

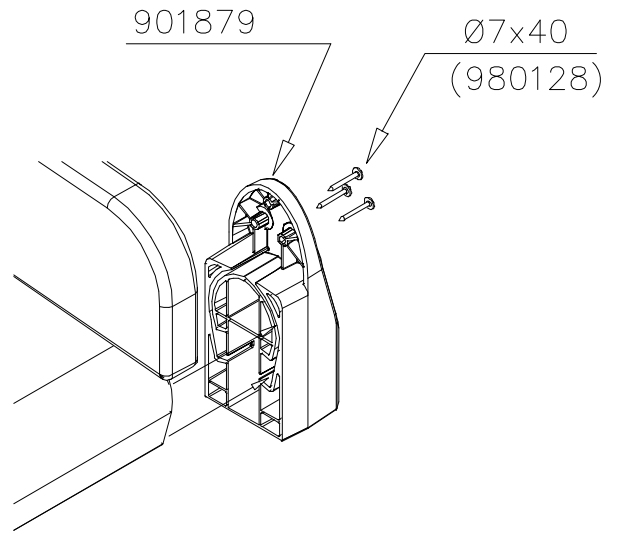




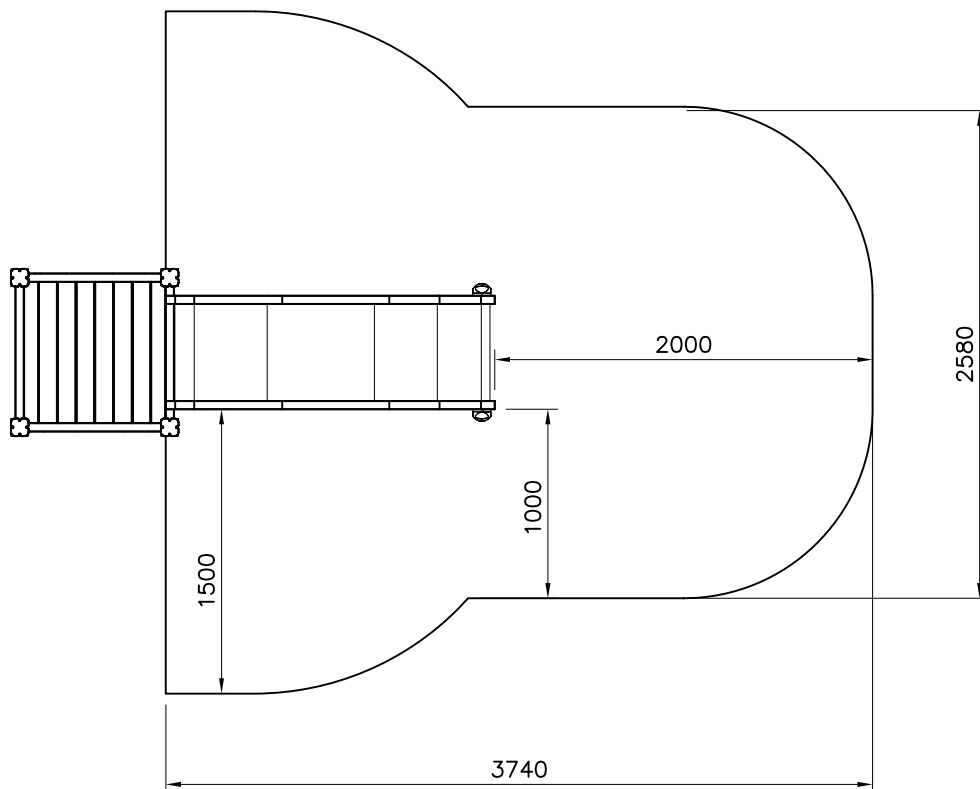
DET 2



Insert sheet metal IN to the plastic cover.

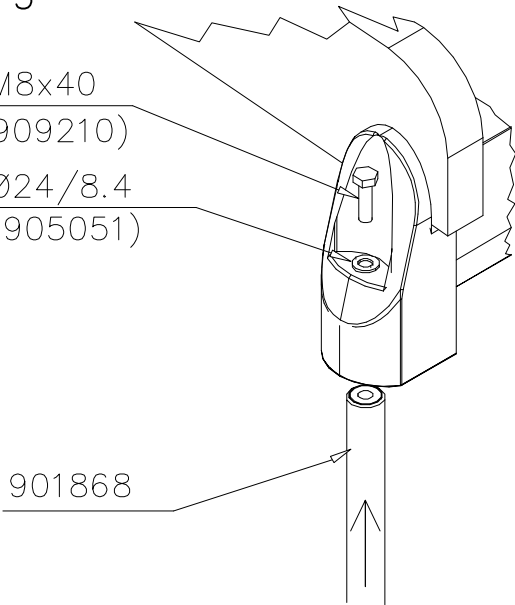


—— EN Impact Area 10.6 m<sup>2</sup>  
- - - - Falling Space 10.6 m<sup>2</sup>  
Max Falling Height 1000 mm.



DET 3

M8x40  
(909210)  
Ø24/8.4  
(905051)



901868

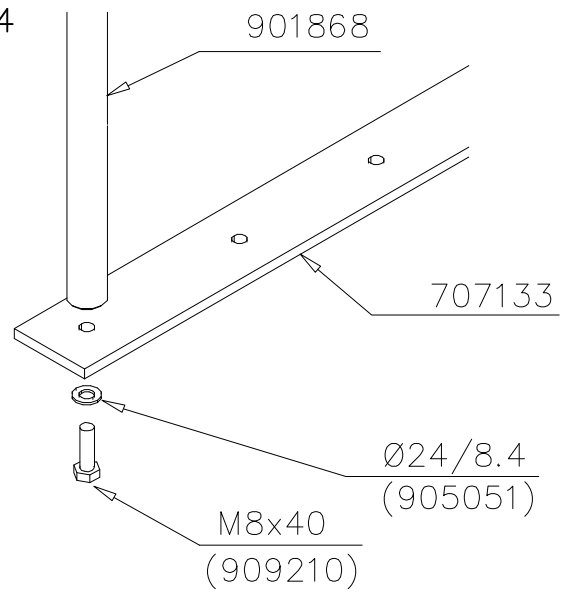
DET 4

901868

707133

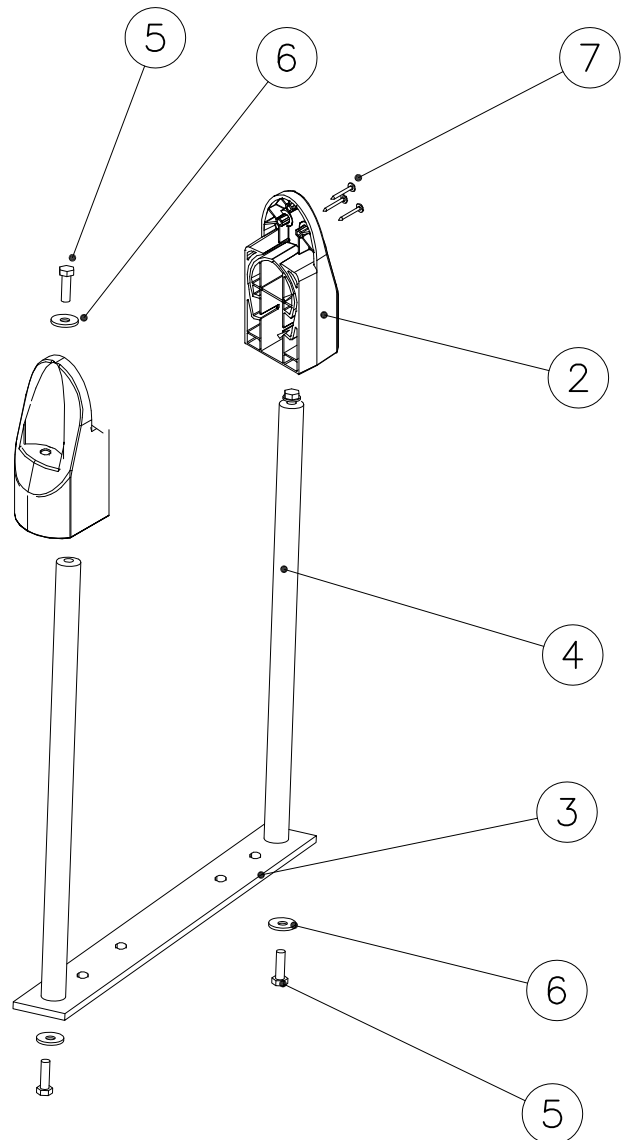
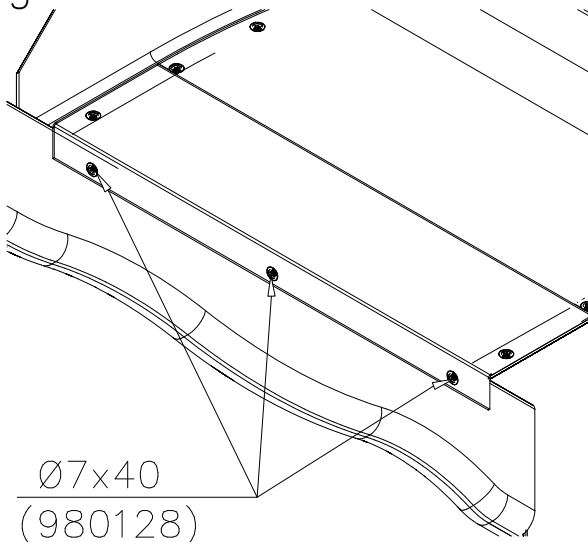
Ø24/8.4  
(905051)

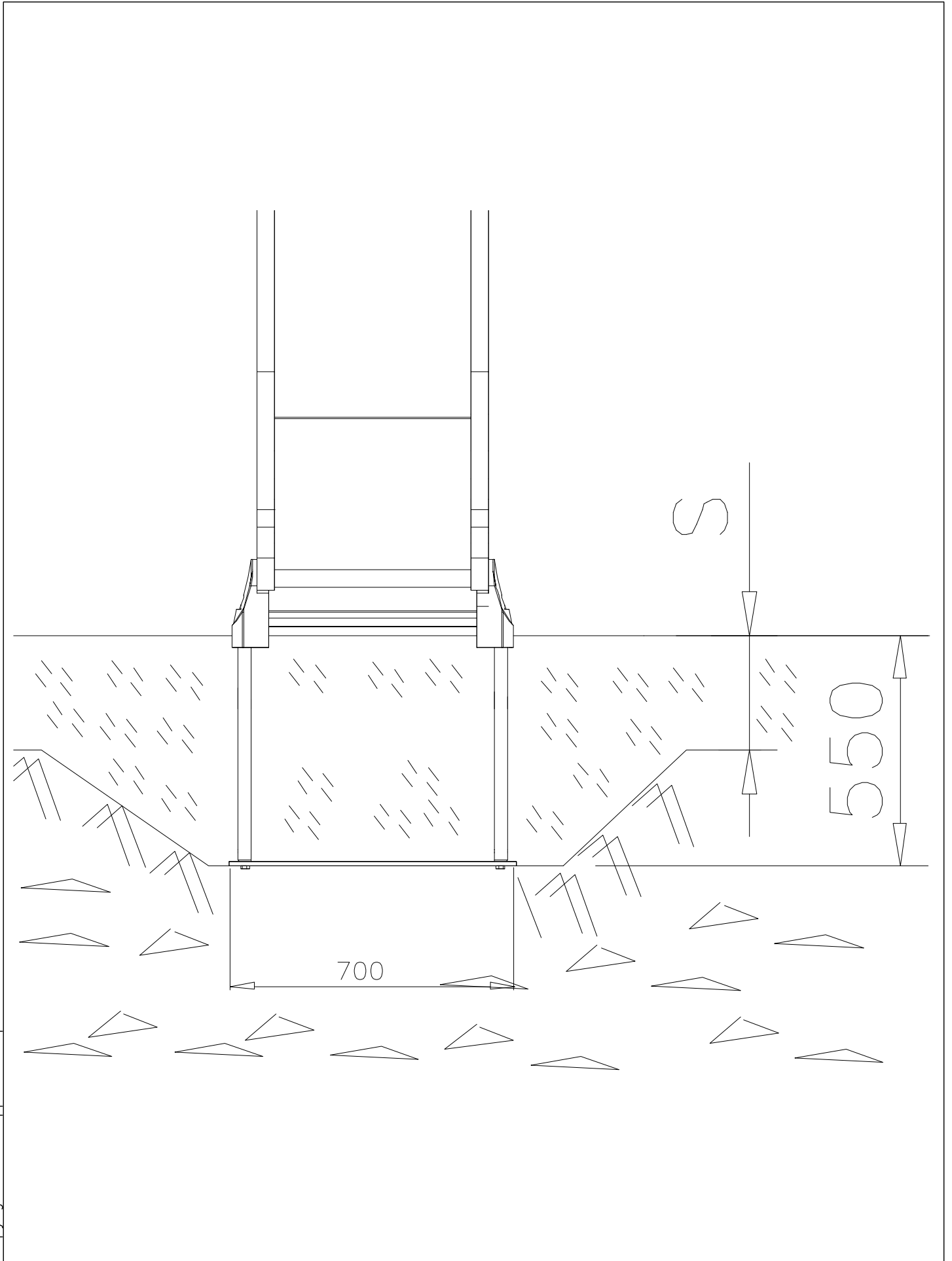
M8x40  
(909210)

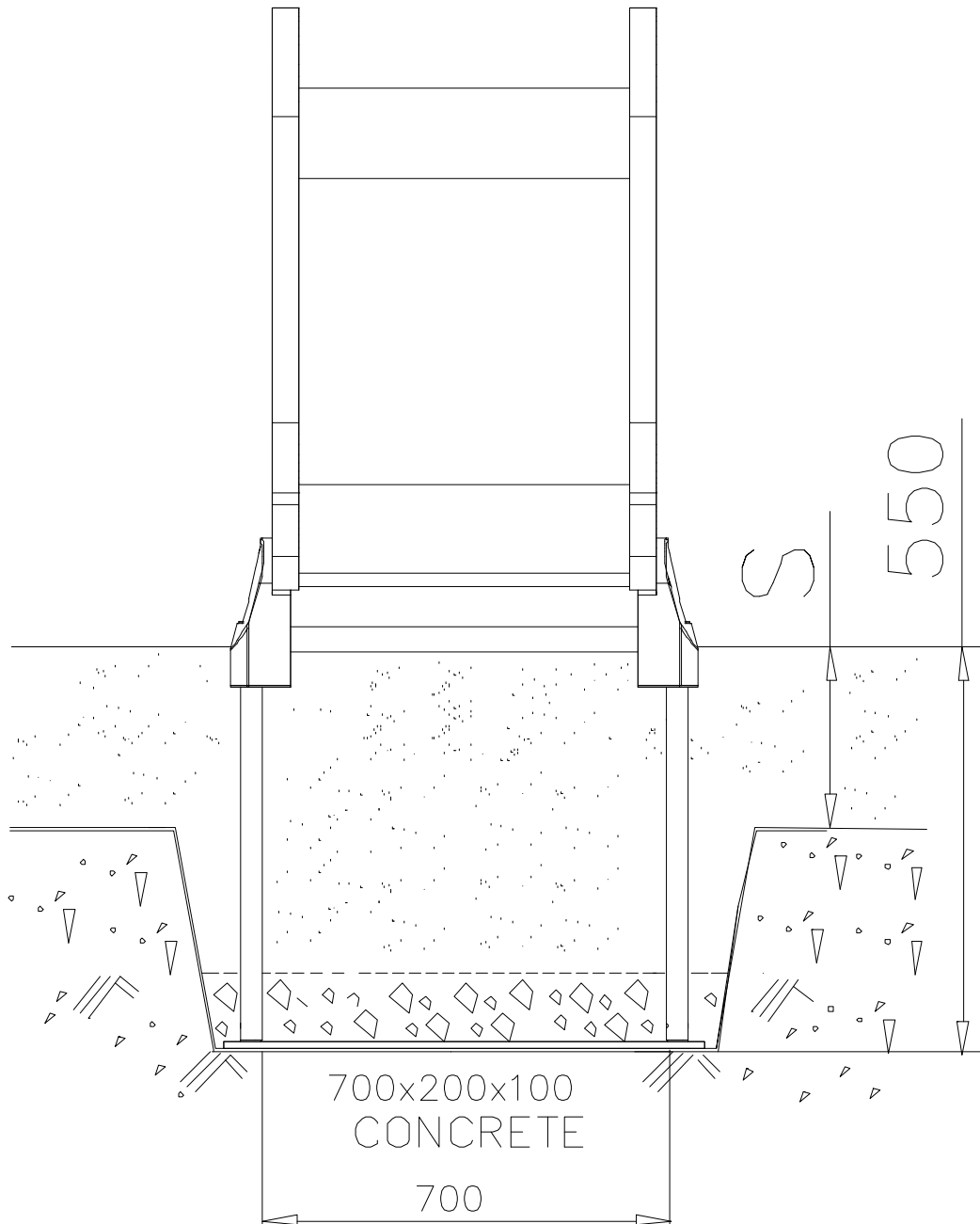


DET 5

Ø7x40  
(980128)





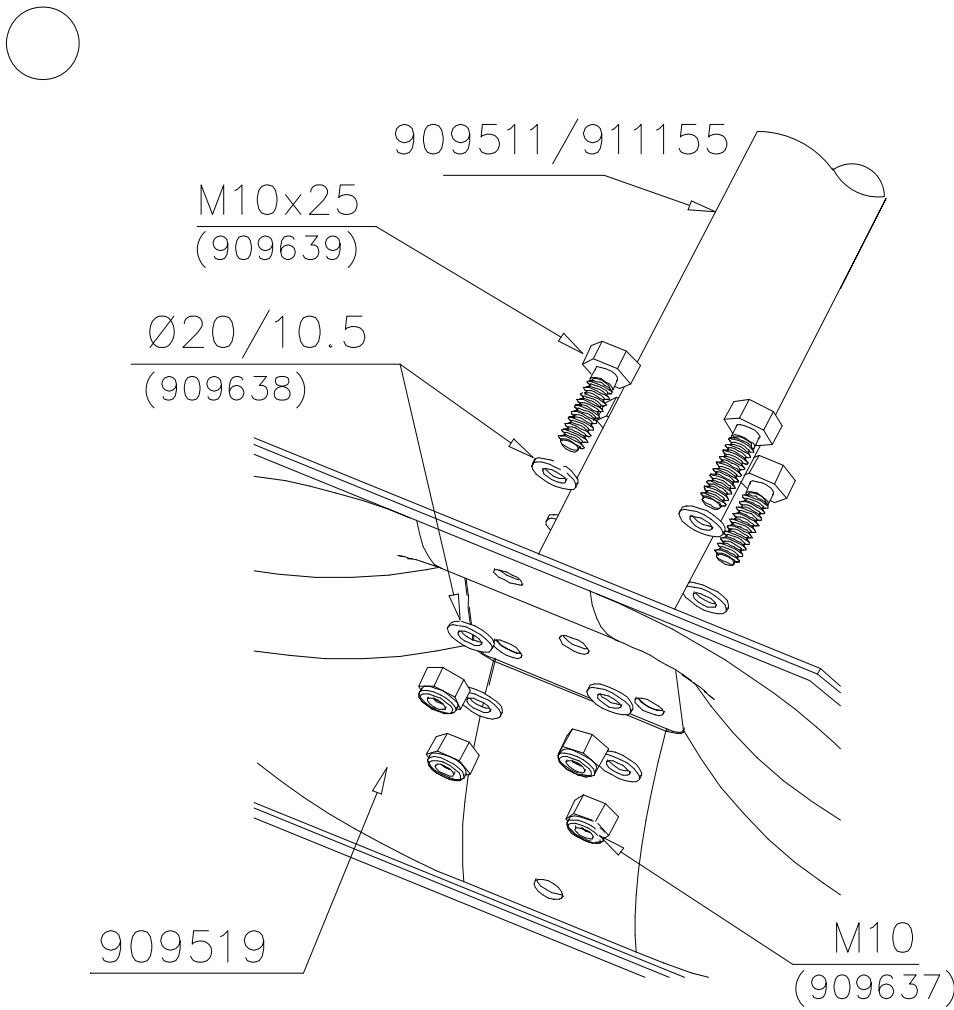



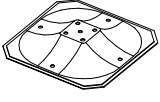
# LAPPSET® DEEP FOUNDATION

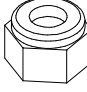

# FOOT

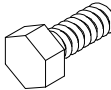
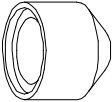
DATE: 15.5.2018

1(1)

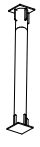


①	909511	PCS	②	909519	PCS
		1			1
	90x90x650			50x380x380	

③	909637	PCS	④	909638	PCS
		4			8
	M10			Ø20/10.5	

⑤	909639	PCS	⑥	905104	PCS
		4			4
	M10x25			M10	

OPTION FOOT

①	911155	PCS			PCS
		1			
	90x90x650				

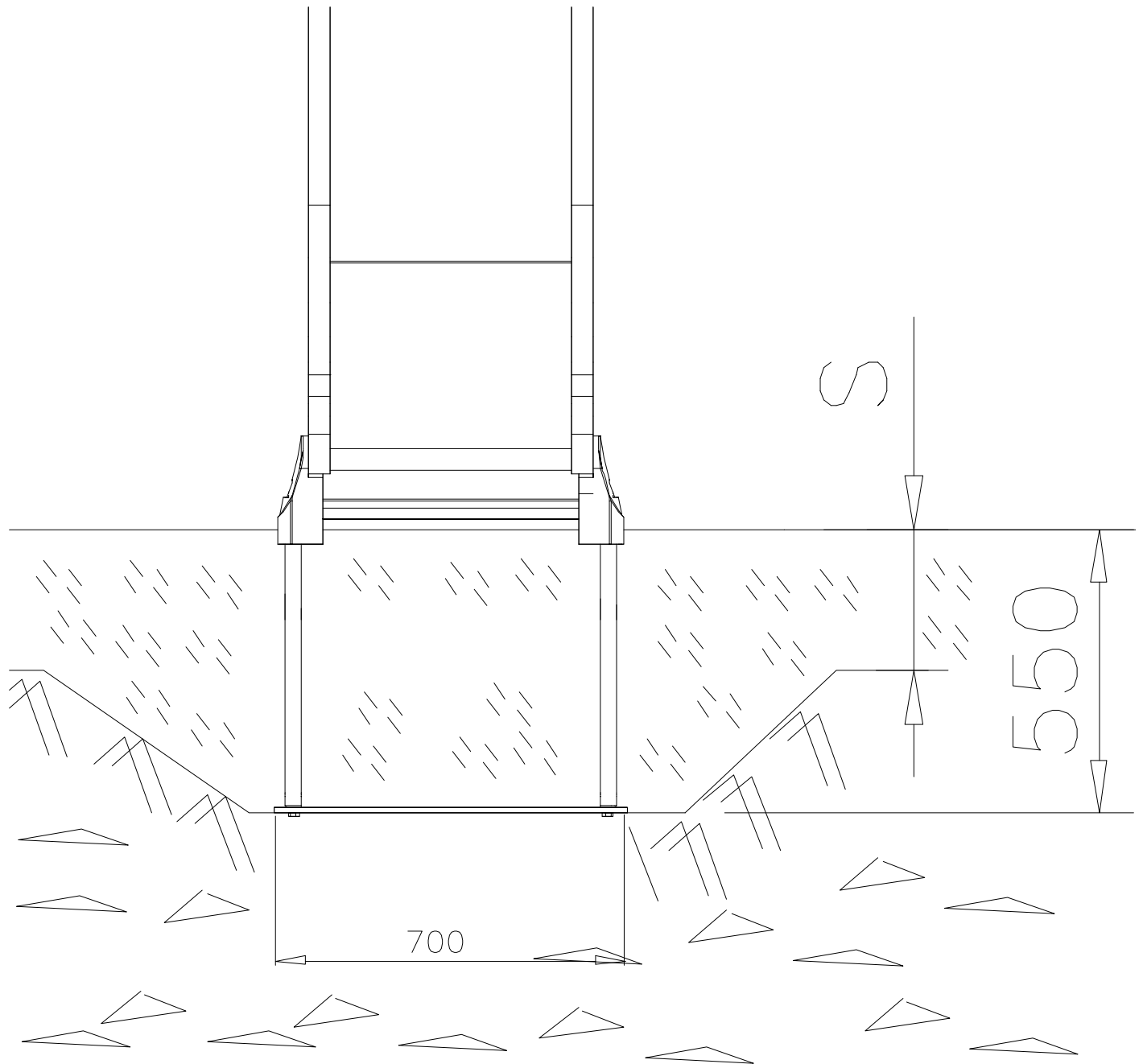
# LAPPSET

## DEEP FOUNDATION

# SLIDE WOOD

DATE: 22.5.2015

1(1)







SLIDE OPTIONS

<p>706450 +1470</p> 	<p>706450-602 DARK BROWN                  706450-603 LIGHT BROWN                  706450-604 LIGHT GRAY</p>	
<p>706452 +870</p> 	<p>706452-602 DARK BROWN                  706452-603 LIGHT BROWN                  706452-604 LIGHT GRAY</p>	

WALL OPTIONS

<p>706371</p> 	<p>706371-701 BLUE                  706371-702 YELLOW                  706371-703 LIME                  706371-704 DRARK GRAY                  706371-705 LIGHT GRAY                  706371-706 RED</p>	<p>706371-707 GREEN                  706371-708 FUXIA</p>
---	--	---

○ SLIDE	PCS	○ SLIDE	PCS	○ 706371	PCS	○ 706505	PCS	○ 901868	PCS	① 903093	PCS
	1		1		2		2		1		2
+1470		+870		15x345x750		35x70x730		Ø34x598		Ø8x90	
② 909876	PCS	③ 980100	PCS	④ 980128	PCS	⑤ 999561	PCS				
	2		12		11		1				
M8x40		Ø5x60		Ø7x40		10g					





# LAPPSET

## DEEP FOUNDATION

# SLIDE WOOD

DATE: 3.11.2017

4(5)

○ 707133	PCS	○ 901868	PCS	○ 901879	PCS	⑥ 909210	PCS	⑦ 905051	PCS	⑧ 980128	PCS
	1		2		2		4		4		6
10x80x745		Ø30x598				M8x40		Ø24/8.4		Ø7x40	



DET 6



Insert sheet metal IN to the plastic cover.



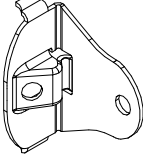
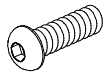
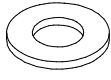
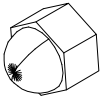

DET 7



DET 8





① 903176	PCS	② 909850	PCS
	4		4
		M8x25	
③ 909256	PCS	④ 909633	PCS
	8		4
Ø16/8.4x1.6		M8	
⑤ 980123	PCS		PCS
	4		
Ø7x60			
	PCS		PCS



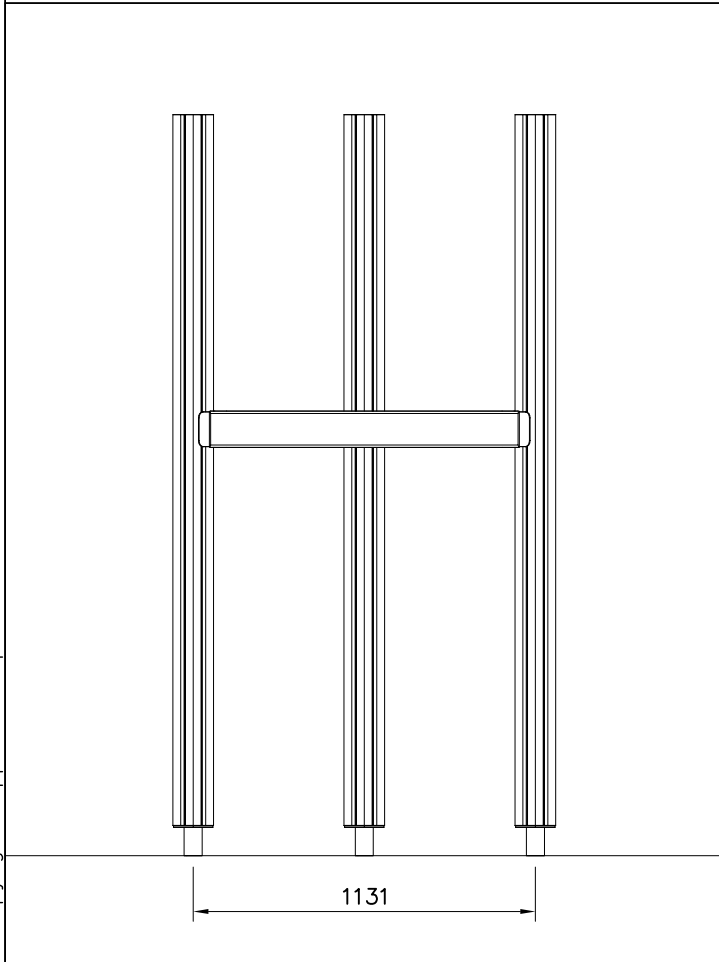






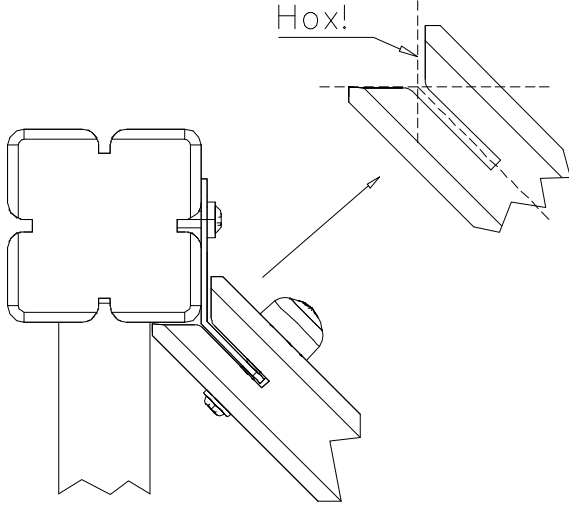


① 706510	PCS	② 907724	PCS
	1		2
45x120x1030			
③ 905083	PCS	④ 909866	PCS
	4		4
Ø32		M8x60	
⑤ 980151	PCS	⑥ 980150	PCS
	4		4
Ø16/8.4		M8	
⑦ 905112	PCS	⑧ 900240	PCS
	4		4
Ø22		Ø8x70	

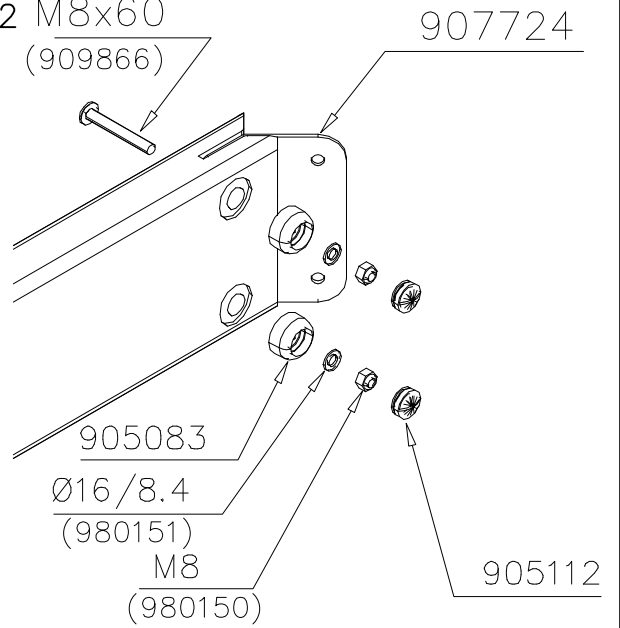


BOOM OPTIONS		
706510	706510-602	DARK BROWN
	706510-603	LIGHT BROWN
	706510-604	LIGHT GRAY
45x120x1030		

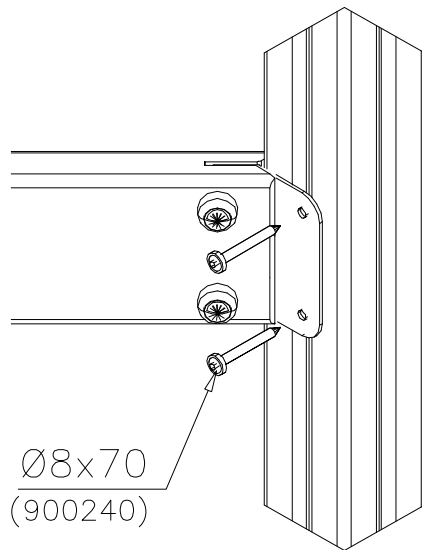
DET 1



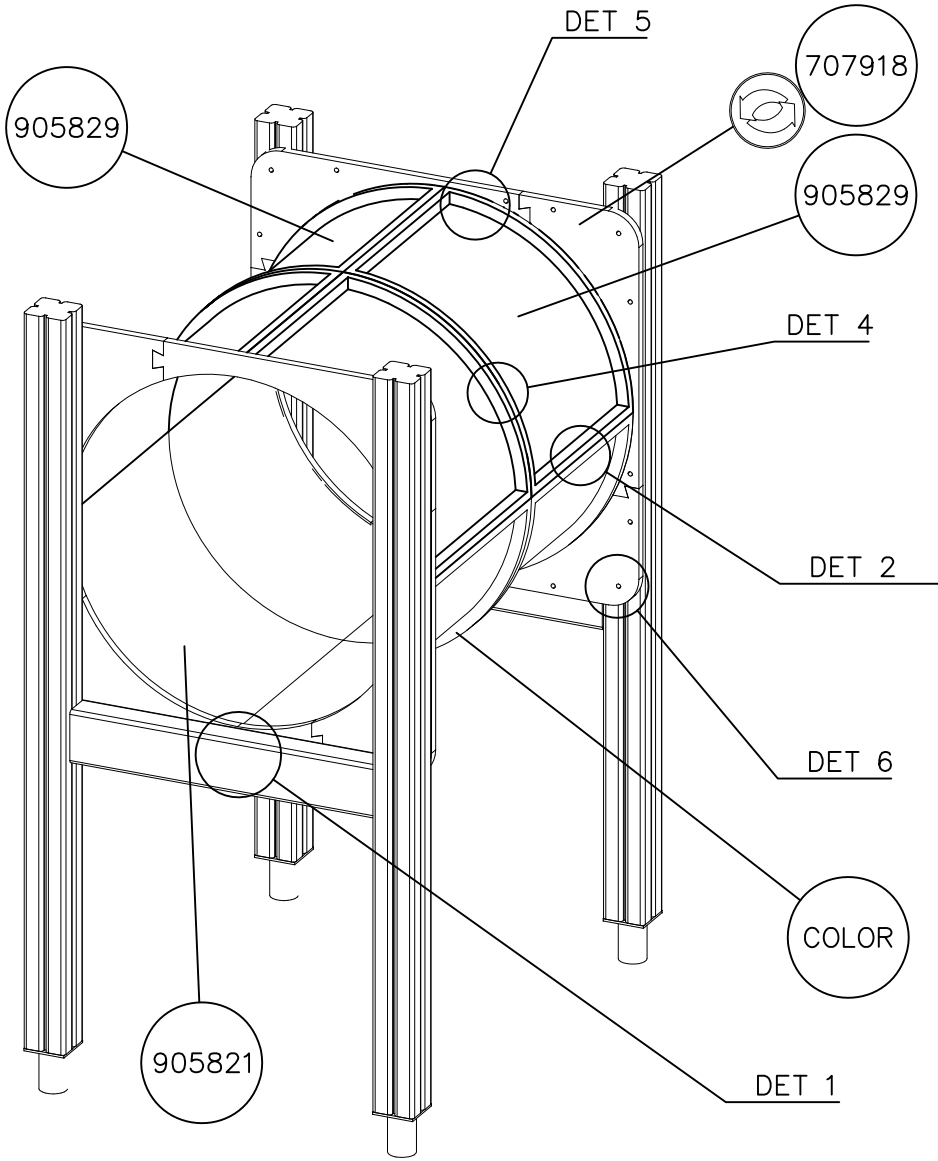
DET 2 M8x60  
(909866)



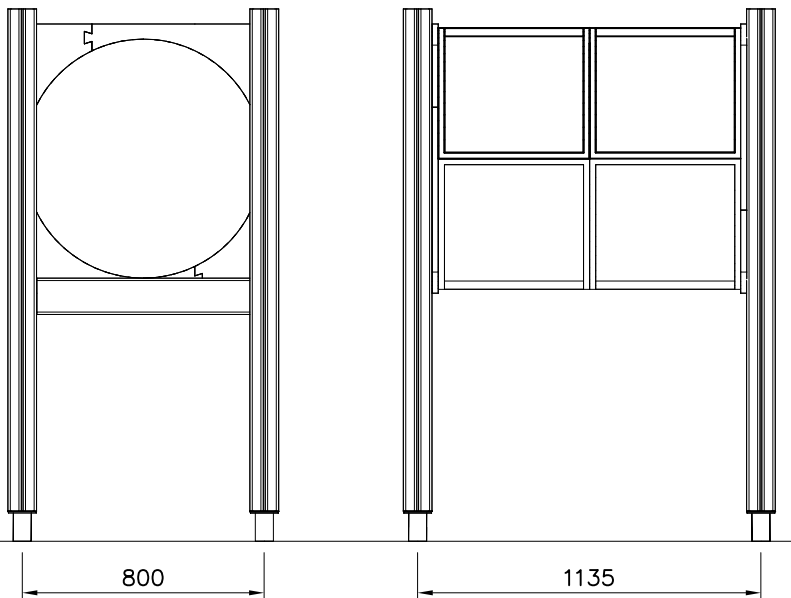
DET 3



DETAILS IN TUBE INSTALLATION GENERAL PAGE



① 905112	PCS 112	② 900240	PCS 26
Ø22		Ø8x70	
③ 903533	PCS 12	④ 905831	PCS 112
SRL12		Ø32x19	
⑤ 909205	PCS 40	⑥ 909208	PCS 32
M8x60		M8	
⑦ 909866	PCS 32	⑧ 980150	PCS 40
M8x60		M8	
○ 707918	PCS 8	○ 905829	PCS 4
20x275x640		Transparent	
		○ COLOR	PCS 4

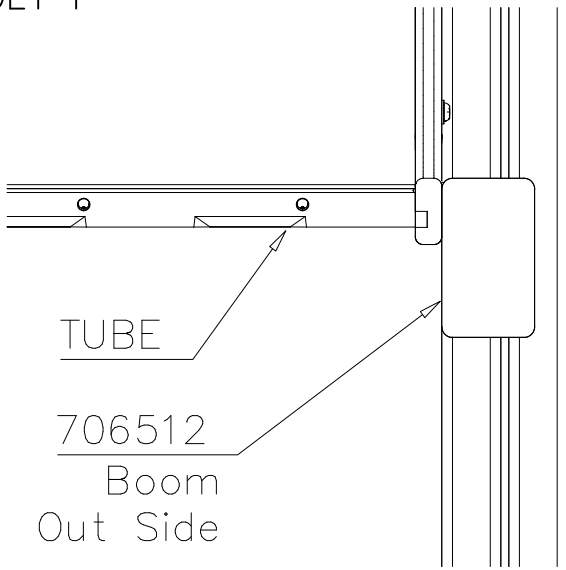


707918 COLOR OPTIONS

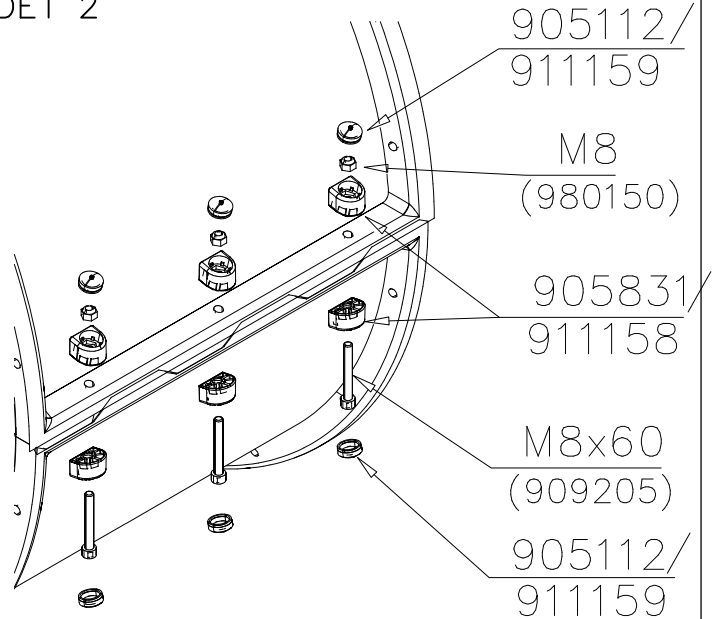
- 701 BLUE
- 702 YELLOW
- 703 LIME
- 704 DARK GRAY
- 705 GRAY
- 706 RED
- 707 GREEN
- 708 FUCHSIA

DATE: 25.10.2024

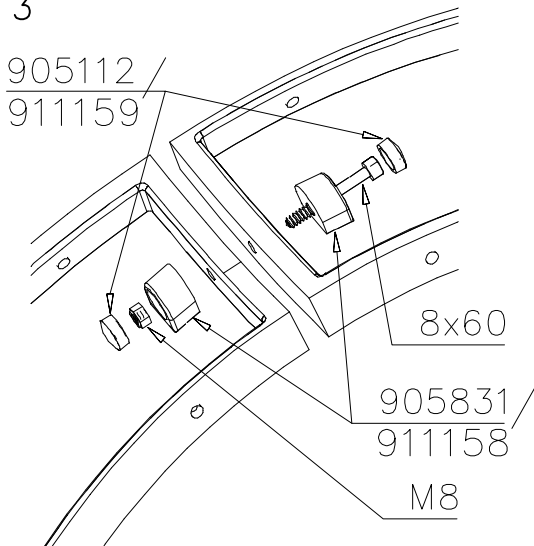
DET 1



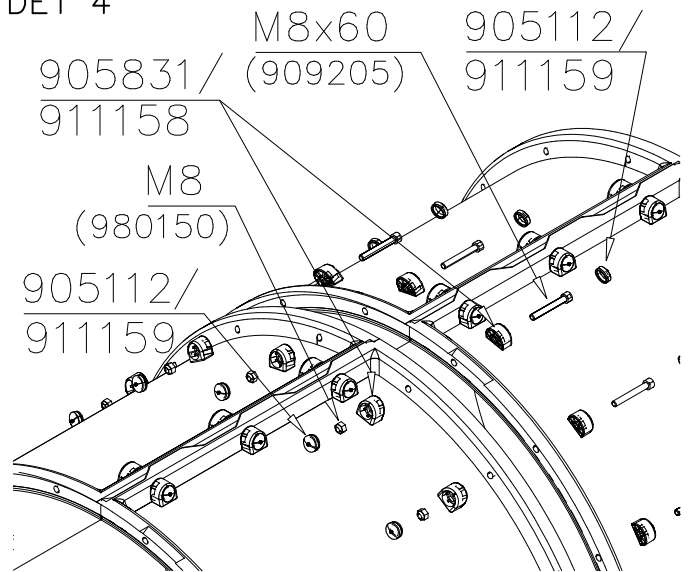
DET 2



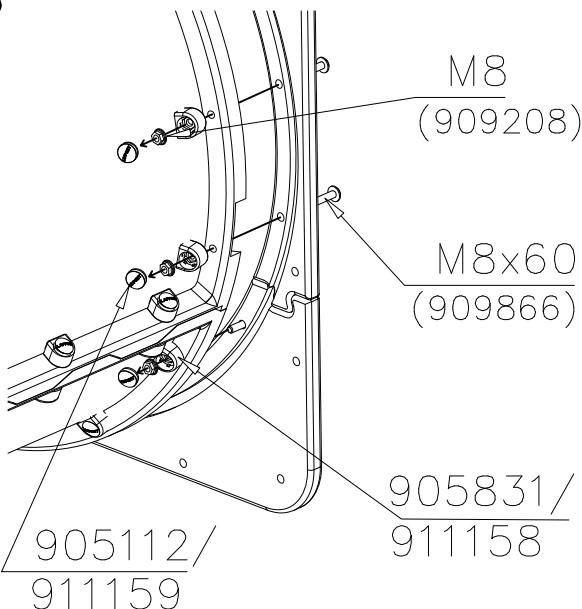
DET 3



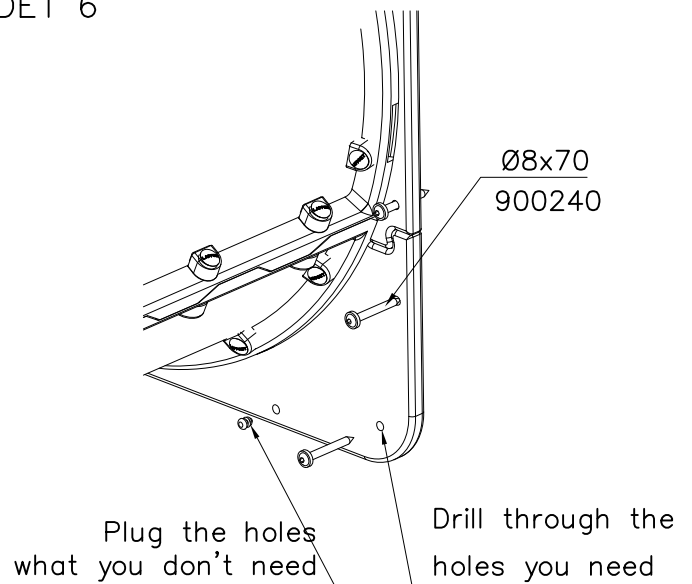
DET 4

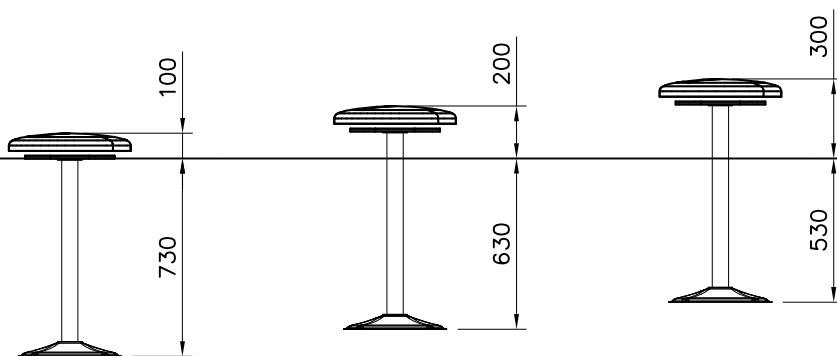
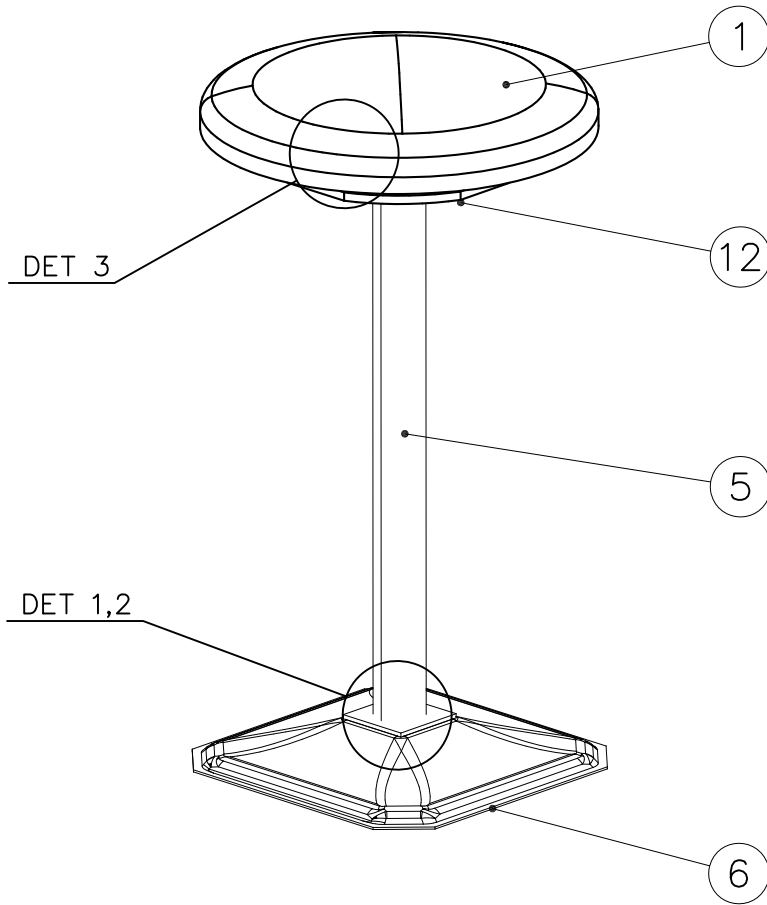


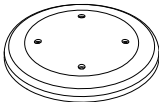
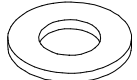
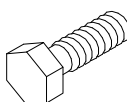
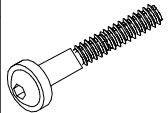

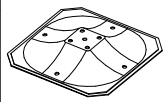
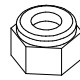
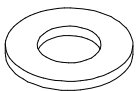
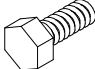



DET 5



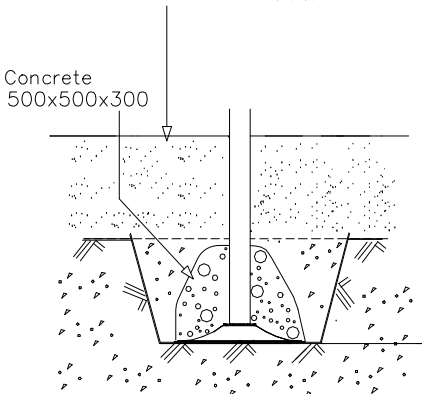
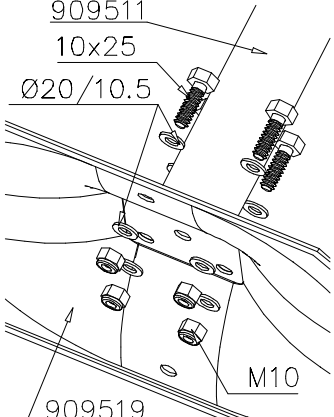
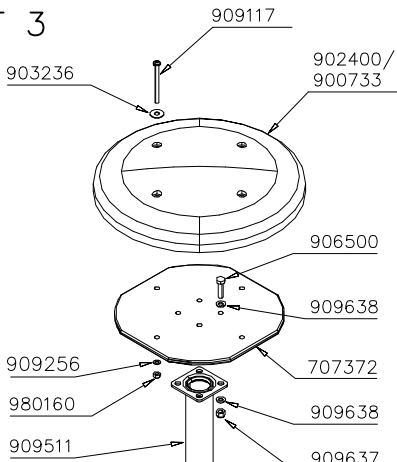
DET 6

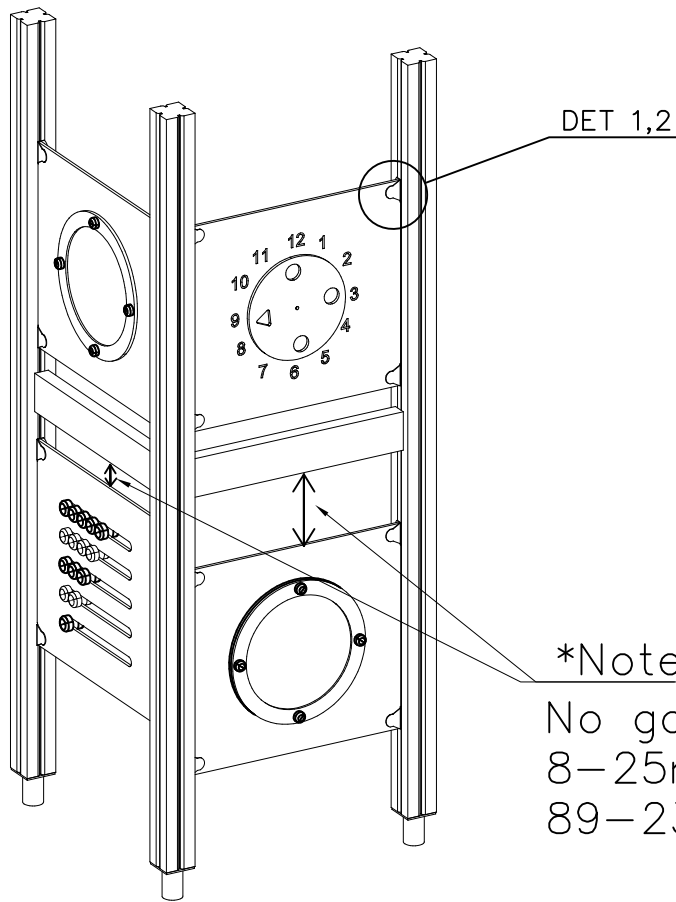




① 900733	PCS	② 903236	PCS
	1		4
Ø450x85		Ø30/10.5x2.5	
③ 906500	PCS	④ 909117	PCS
	4		4
M10x40		M8x100	
⑤ 909511	PCS	⑥ 909519	PCS
	1		1
90x90x650		50x380x380	
⑦ 909637	PCS	⑧ 909638	PCS
	8		16
M10		Ø20/10.5	
⑨ 909639	PCS	⑩ 909256	PCS
	4		4
M10x25		Ø16/8.4	
⑪ 980160	PCS	⑫ 707372	PCS
	4		1
M8		340x340x10	
	PCS		PCS
	PCS		PCS

Step can be installed in different heights between 100 and 300 mm.

<p>DET 1</p> <p>Sand 0.2–2 mm/ Gravel 2–8 mm</p> <p>Concrete 500x500x300</p> 	<p>DET 2</p> <p>909511 10x25 Ø20/10.5</p> <p>909519</p> <p>M10</p> 	<p>DET 3</p> <p>909117</p> <p>903236</p> <p>902400/ 900733</p> <p>906500</p> <p>909638</p> <p>707372</p> <p>909638</p> <p>909637</p> <p>909256</p> <p>980160</p> <p>909511</p> 



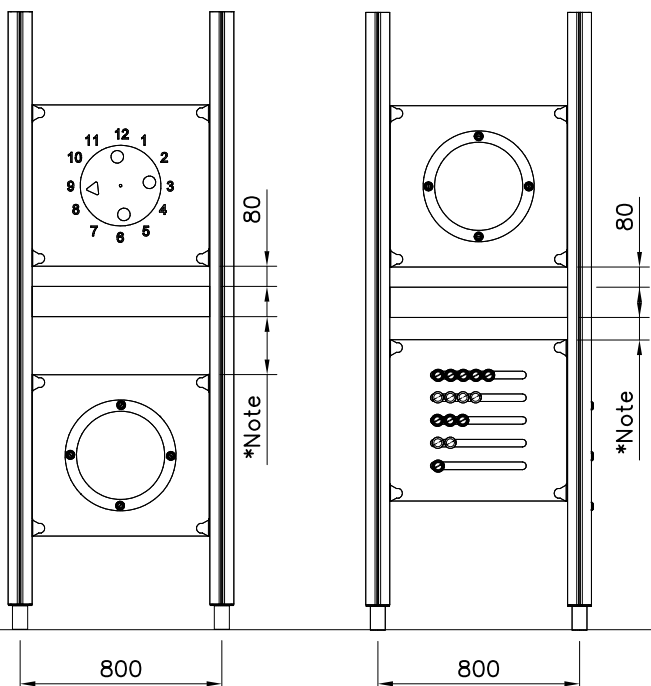
① 903176	PCS	② 909850	PCS
	4		4
		M8x25	
③ 909256	PCS	④ 909633	PCS
	8		4
Ø16/8.4x1.6		M8	
⑤ 980123	PCS		PCS
	4		
Ø7x60			

\*Note:

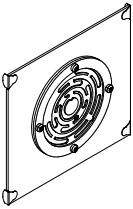
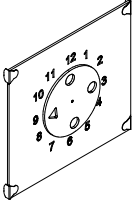
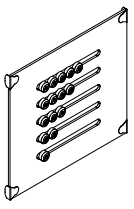
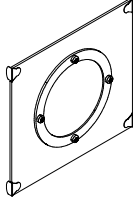
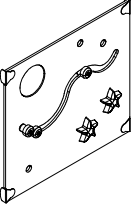
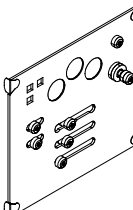
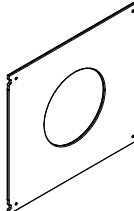
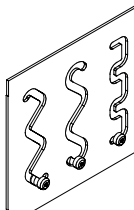
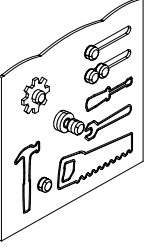
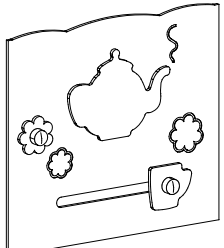
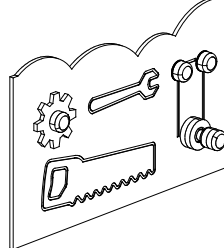
No gaps between:  
8–25mm  
89–230mm

### COLOR OPTIONS

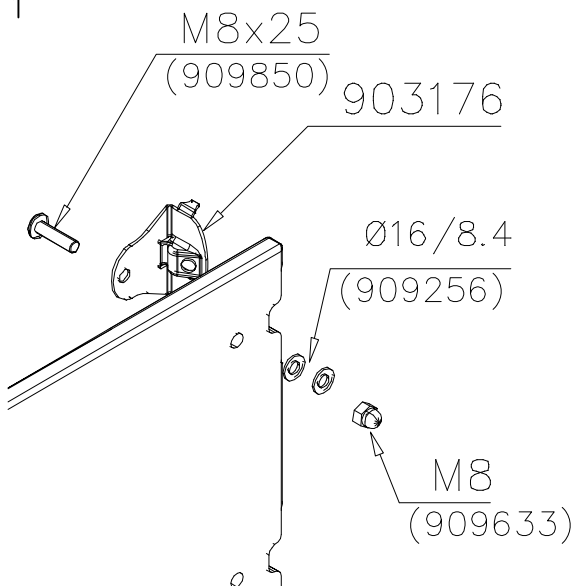
-701	BLUE
-702	YELLOW
-703	LIME
-704	DARK GRAY
-705	LIGHT GRAY
-706	RED
-707	GREEN
-708	FUXIA



GAME WALL OPTIONS

706766	706772	706308	707453
			
640x702	640x702	640x702	640x702
707209	705705	707433	707386
			
640x702	640x702	640x702	640x702
709403	709358	709405	
			
640x702	640x702	420x702	

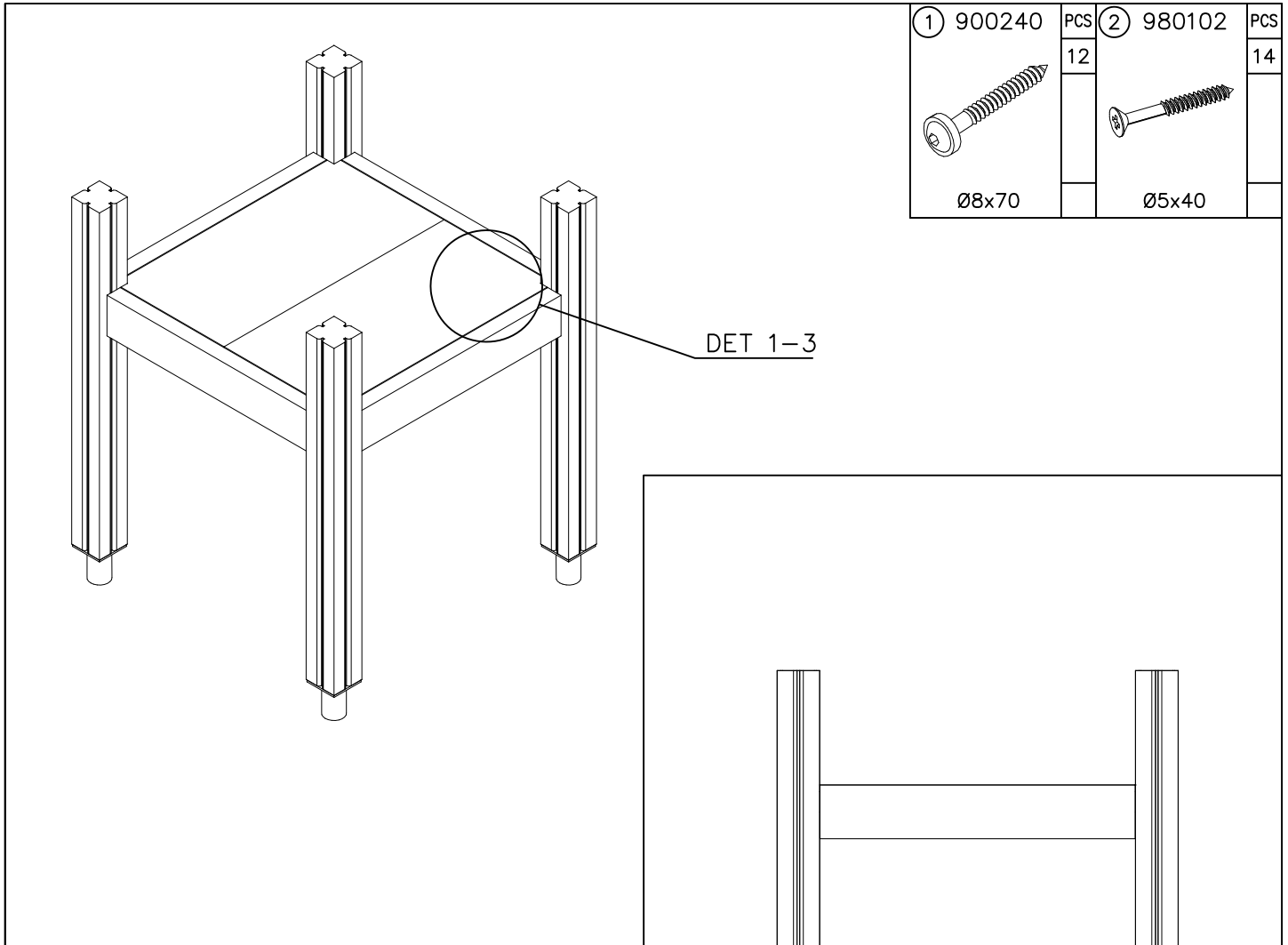
DET 1



DET 2

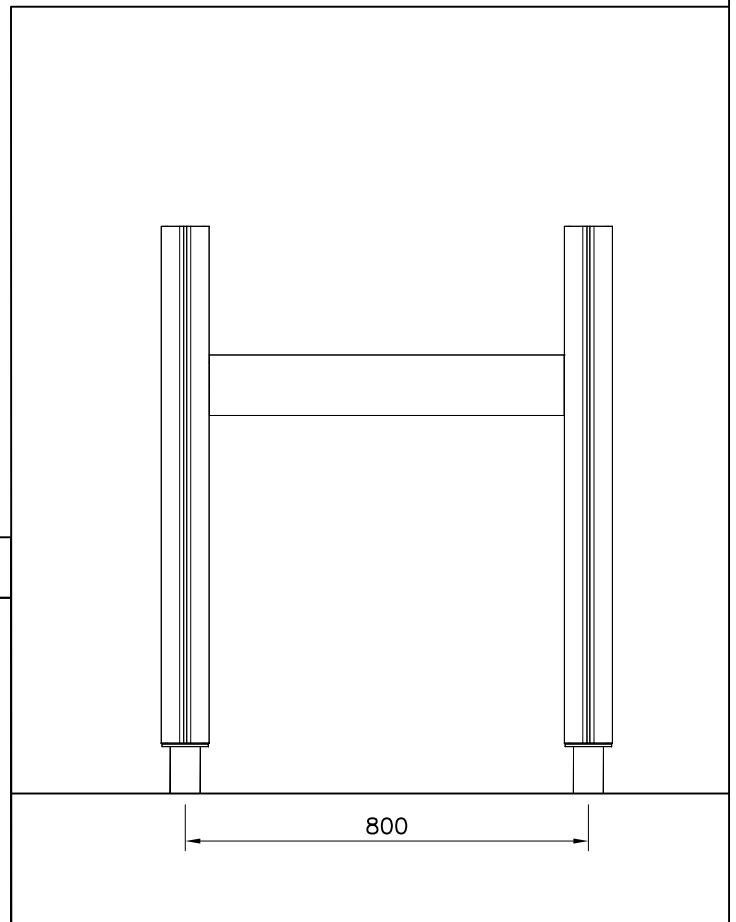






① 900240	PCS	② 980102	PCS
	12		14
Ø8x70		Ø5x40	

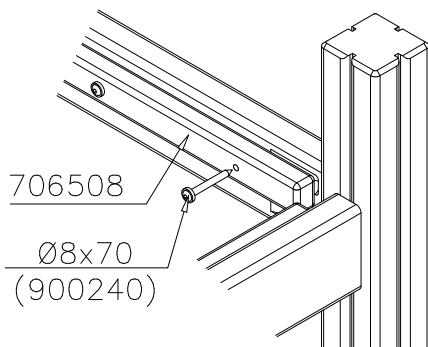
DET 1-3



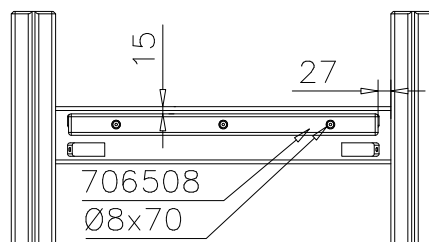
FLOOR OPTIONS

 15x375x750	707327-701	BLUE
	707327-702	YELLOW
	707327-703	LIME
	707327-704	DARK GRAY
	707327-705	LIGHT GRAY
	707327-706	RED
	707327-707	GREEN
	707327-708	FUXIA

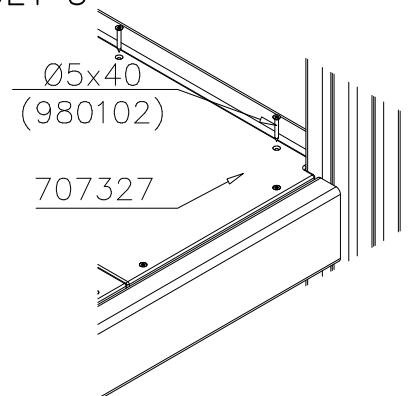
DET 1



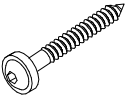
DET 2

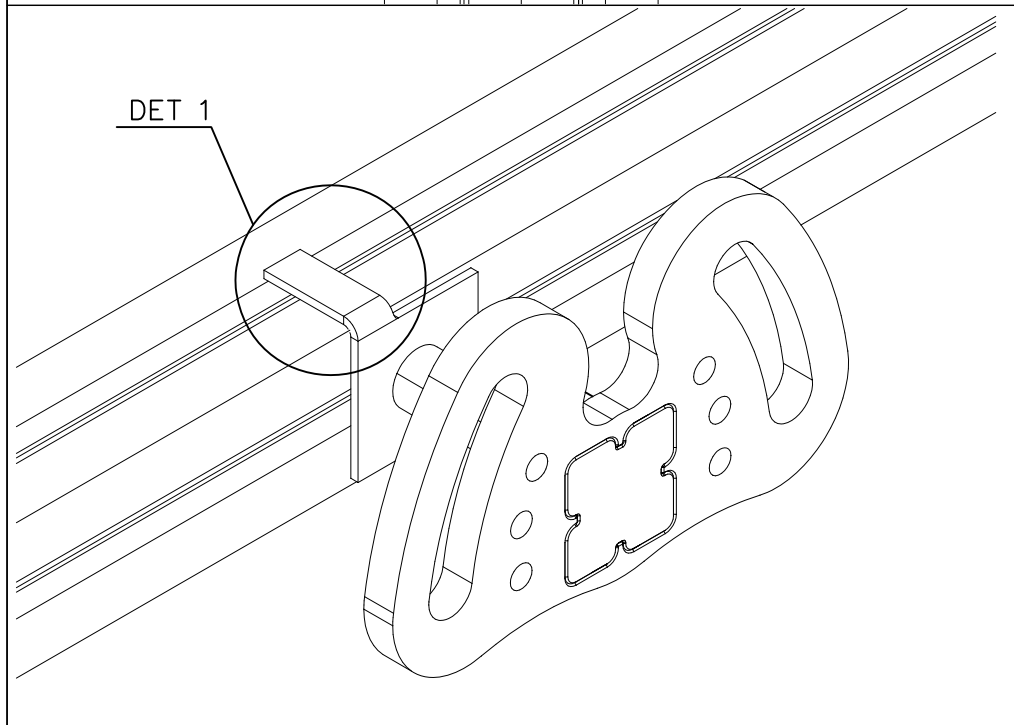


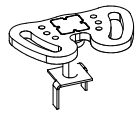
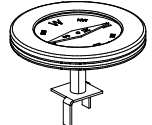
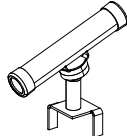
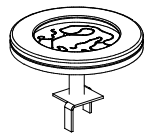
DET 3

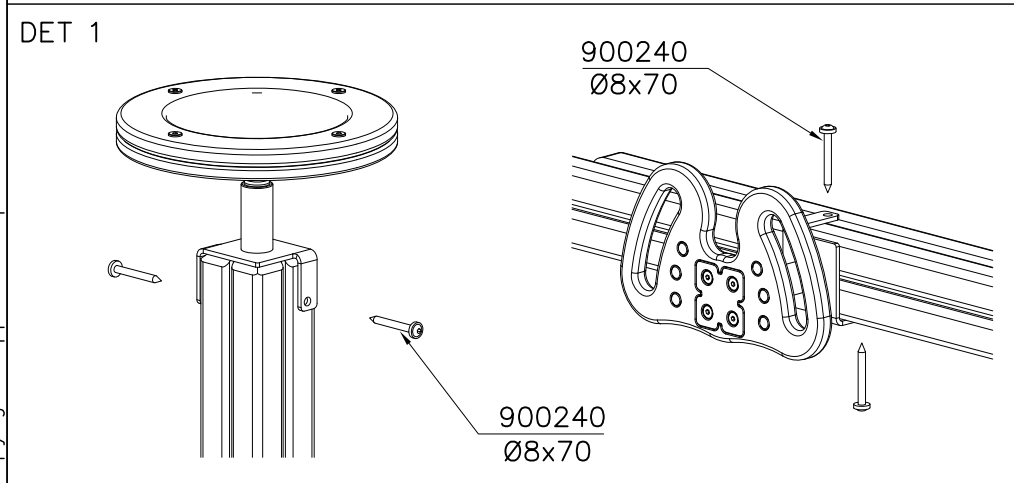




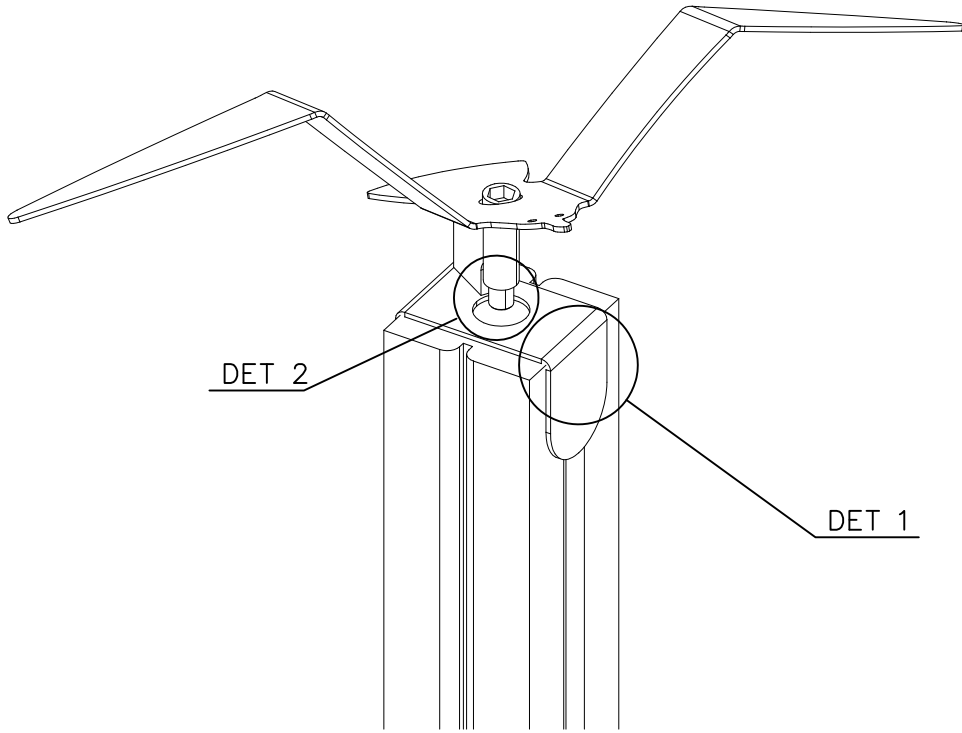
① 900240	PCS		PCS
	2		
Ø8x70			
	PCS		PCS
	PCS		PCS

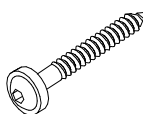
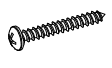
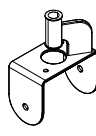

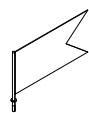



○ 707302	PCS	○ 707303	PCS
	1		1
○ 707304	PCS	○ 707305	PCS
	1		1
	PCS		PCS

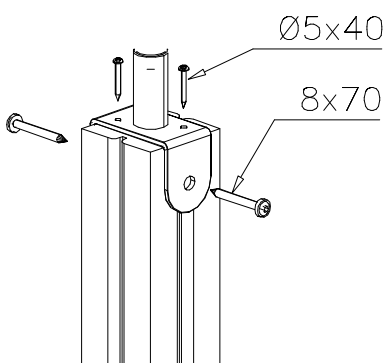


	PCS		PCS
	PCS		PCS

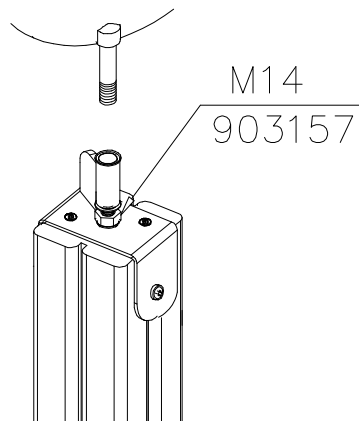


① 900240	PCS	② 980106	PCS
	2		2
Ø8x70		Ø5x40	
③ 907082	PCS		PCS
	1		
Ø8x70			
	PCS		PCS
	PCS		PCS
○ 908357	PCS	○ 900793	PCS
	1		1
○ 903157	PCS		PCS
	1		
M14			
	PCS		PCS
	PCS		PCS

DET 1



DET 2





① 900240	PCS	② 900727	PCS
	1		1
Ø8x70		M10x80	
	PCS		PCS
③ 907688	PCS	③ 907701	PCS
	1		1
765		545	
	PCS		PCS
	PCS		PCS
	PCS		PCS
	PCS		PCS





## Tuotekyltti tulee tuotteen mukana yhdellä seuraavista tavoista:

### 1) Metallinen tuotekyltti ja kiinnitysruuvit

- Kiinnitä tuotekyltti ruuveilla tolppaan noin 2 metrin korkeuteen kuvan 1 mukaisesti.

### 2) Tuotekylttitarra

- Puhdista maalattu metalli- tai vaneripinta pölystä ja kosteudesta. Liimaa tarra kuvan 2 mukaisesti.
- Huom. Älä kiinnitä tarraa karheapintaiseen laminaattiin tai maalattuun puuhun.

## Vår produktmärkning levereras på ett av följande sätt:

### 1) Produktskylt i metall

- Fäst skylten med de medföljande skruvarna

### 2) Självhäftande produktetikett

- Rengör den pulverlackerade metallytan eller laminatyten så att den blir fri från smuts och fukt. Fäst etiketten enligt fig. 2.
- Obs! Fäst ej etiketten på detaljer med skrovlig yta eller på målat trä.

## Product label is delivered by one of following ways:

### 1) Metal product label and screws

- Fasten the label with screws.

### 2) Label sticker

- Clean the painted metal or plywood surface from dirt and moisture. Fasten the sticker as shown in the figure 2.
- Note. Do not attach the sticker to rough surfaced laminate or painted wood.

## La plaque d'informations produit est livrée sous l'une de ces 3 formes :

### 1) Plaque métallique et vis

- Fixez la plaque à l'aide des vis.

### 2) Etiquette autocollante

- Avant de coller l'étiquette, nettoyez le composant métallique peint ou la plaque de contreplaqué, de toute saleté. La surface doit être sèche (voir image 2).
- Attention, ne pas coller l'étiquette sur une surface lamellé-collée irrégulière ou sur du bois peint.

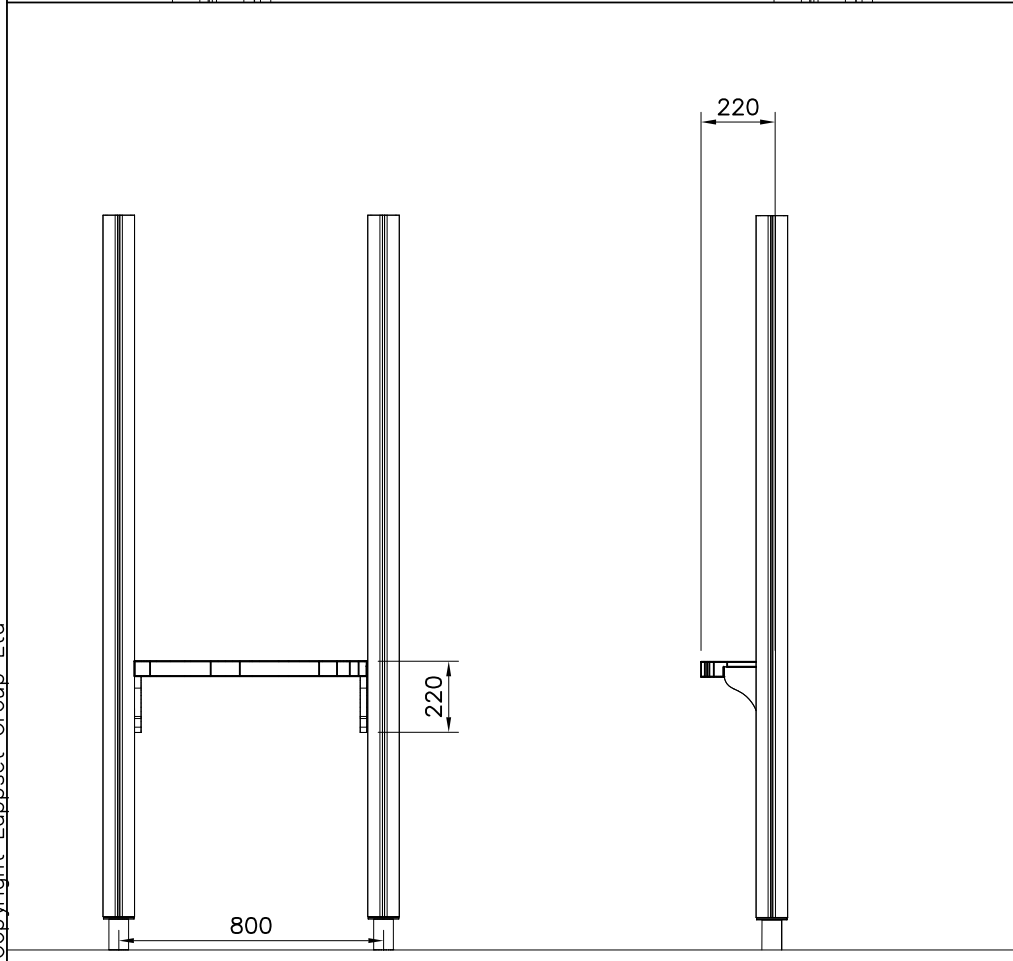
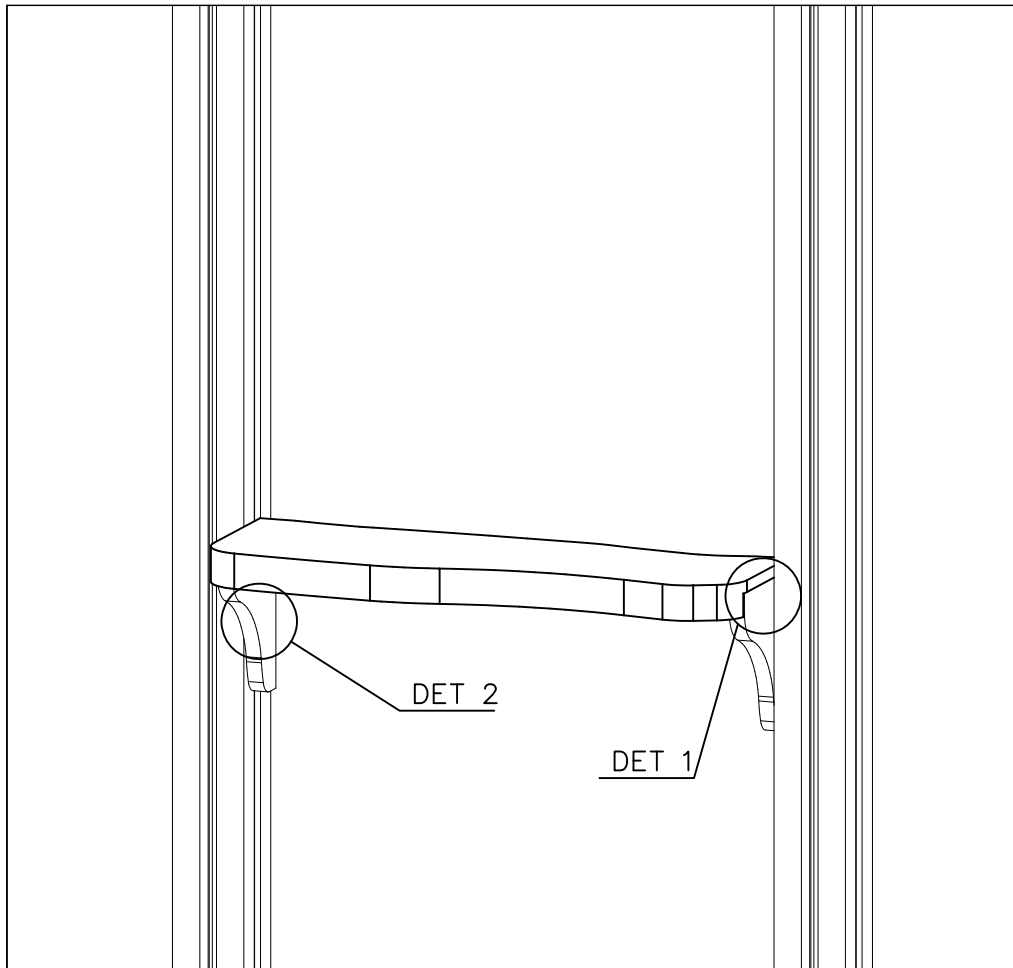
## Die Auslieferung des Produktaufklebers erfolgt auf eine dieser Arten:

### 1) Produkt-Schild aus Metall incl. Schrauben

- Die Befestigung des Schildes erfolgt mittels der Schrauben.

### 2) Aufkleber

- Entfernen Sie zunächst Schmutz und Feuchtigkeit vom lackierten Metall bzw. von der Holzoberfläche und bringen Sie den Aufkleber wie im Bild oben rechts beschrieben auf den gesäuberten Untergrund auf.
- Beachten Sie: Bringen Sie den Aufkleber nicht auf raues laminiertes oder lackiertes Holz an.



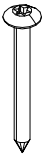
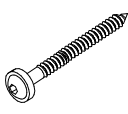
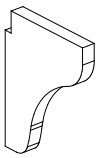
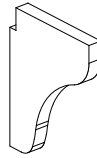
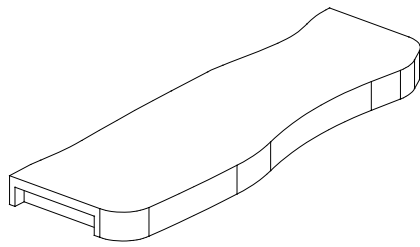
① 980128	PCS	② 903093	PCS
	4		6
Ø7x40		Ø8x90	
	PCS		PCS
	PCS		PCS
	PCS		PCS
	PCS		PCS
	PCS		PCS
○ 709350	PCS	○ 709400	PCS
	1		1
20x154x200		20x154x200	

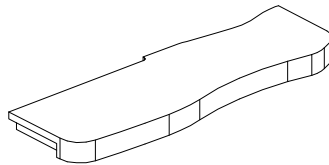
TABLE OPTIONS

709375



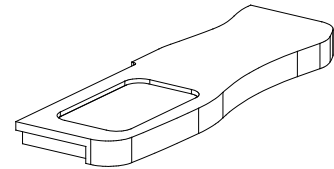
45x224x702

709374\*



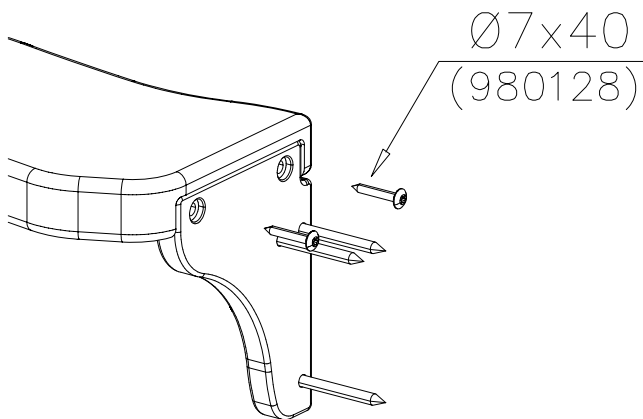
45x224x702

709406\*

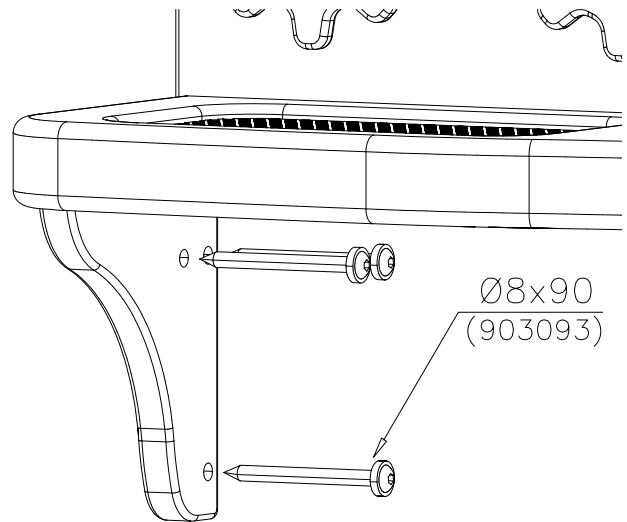


45x224x702

DET 1



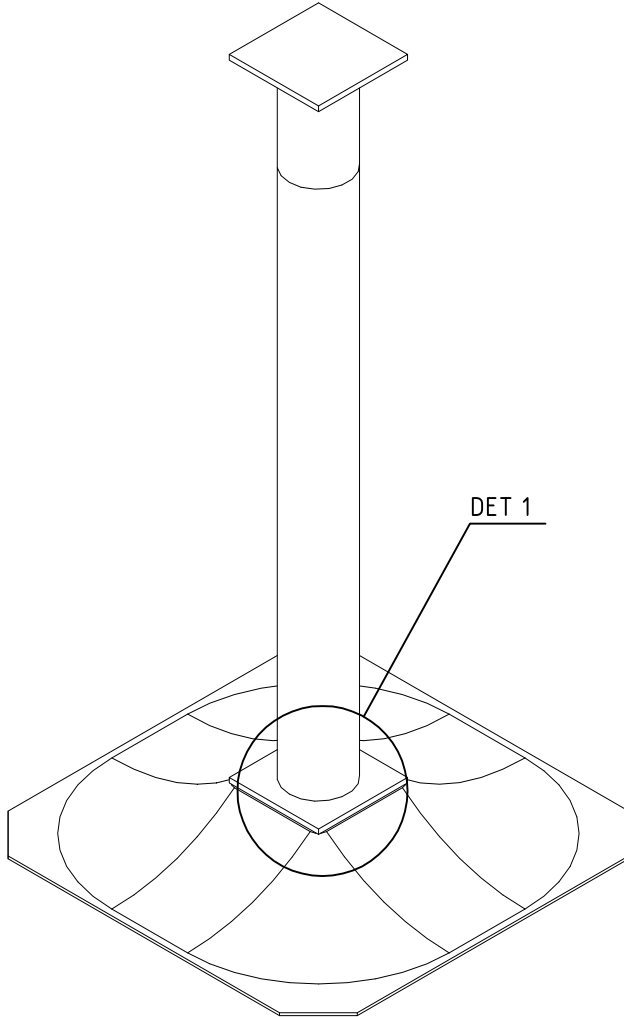
DET 2


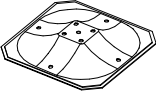


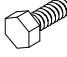


\*Note:

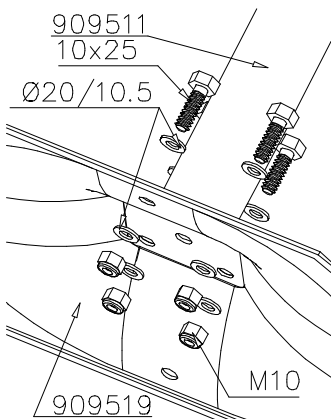
Table 709406 compatible  
 only with  
 wall 709351

Table 709374 compatible  
 only with  
 wall 709372



①	909511	PCS	②	909519	PCS
		1			1
③	909637	PCS	④	909638	PCS
		4			8
	M10			Ø20/10.5	
⑤	909639	PCS			PCS
		4			
	M10x25				
		PCS			PCS
		PCS			PCS
		PCS			PCS
		PCS			PCS
		PCS			PCS

DET 1







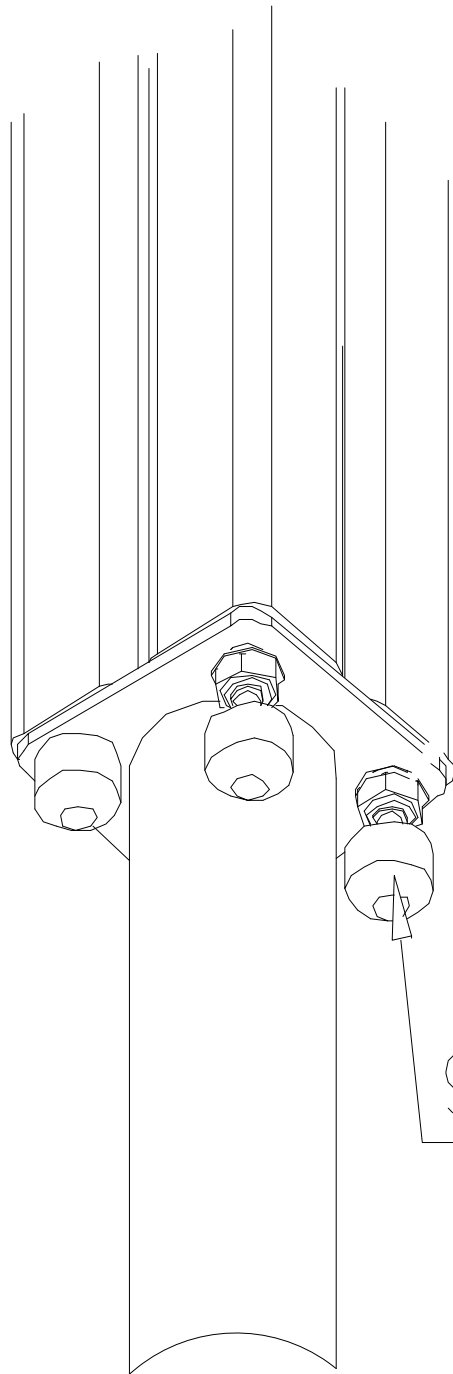
**LAPPSET®**  
**BETON FOUNDATION**

**FOOT**

DATE: 27.10.2015

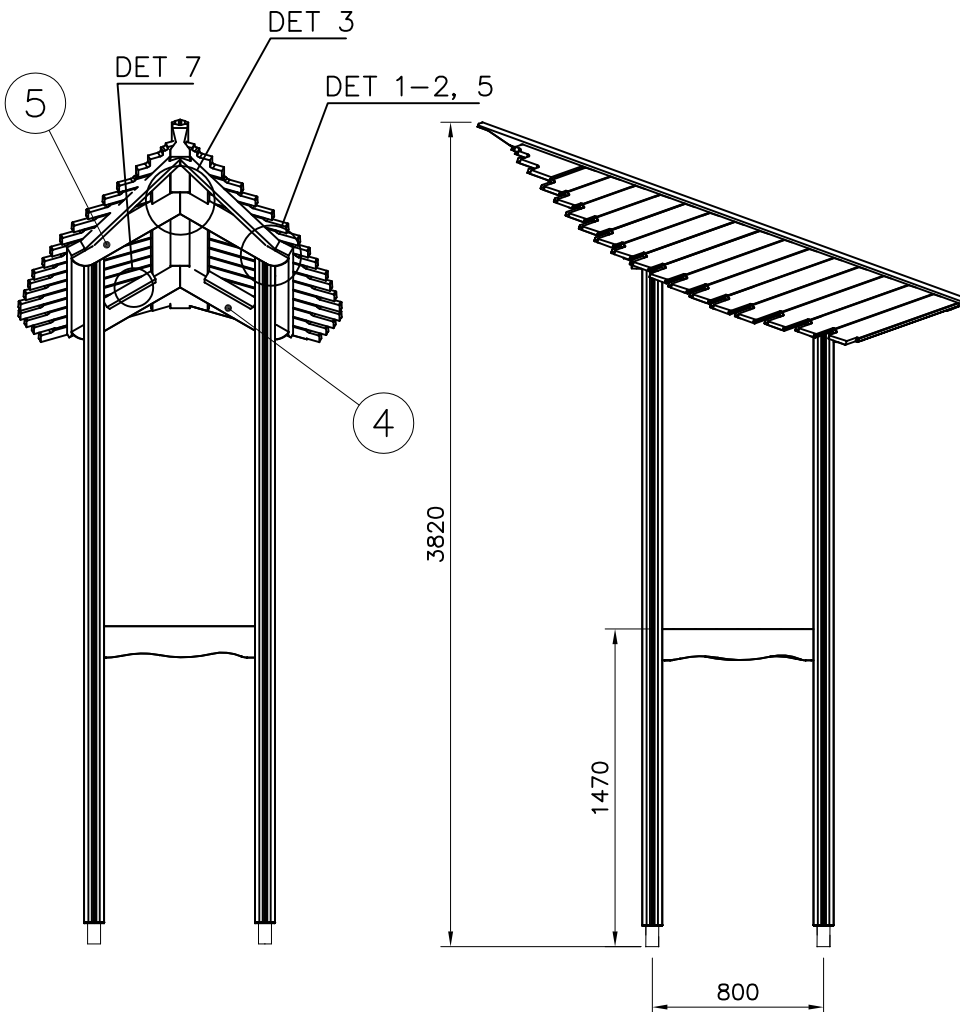
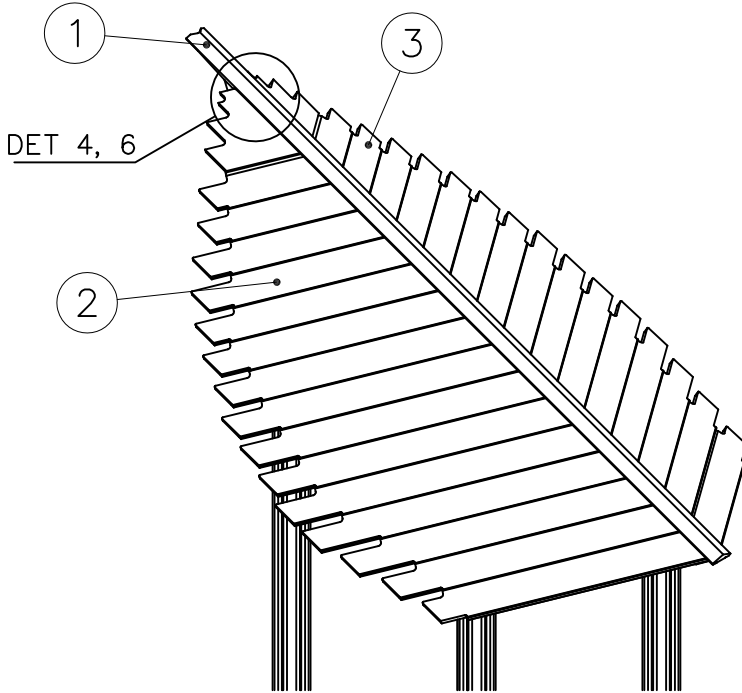
**1(1)**

② 905104	PCS		PCS
	4		
 M10	PCS		PCS



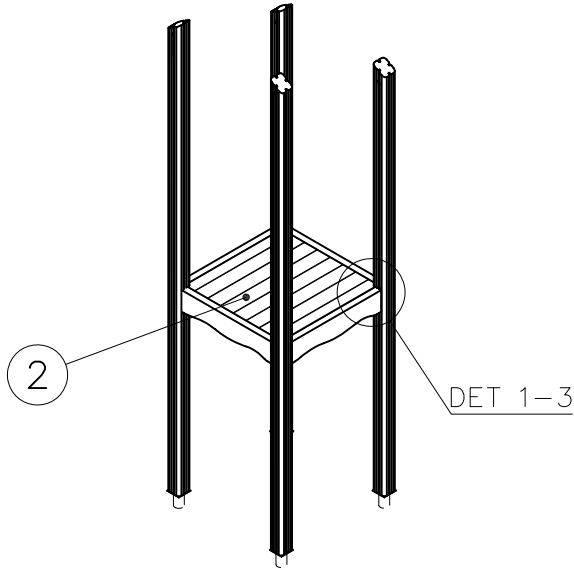
905104



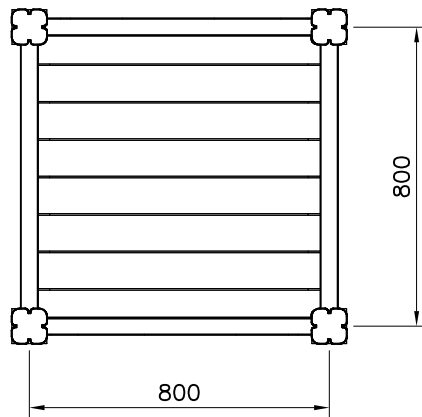


① P12350	PCS	② P12353	PCS
	1		1
L=2400			
③ P12352	PCS	④ 705528	PCS
	1		1
⑤ 705529	PCS	⑥ 900240	PCS
	1		8
		Ø8x70	
⑦ 905087	PCS	⑧ 909137	PCS
	4		4
		M12x160	
⑨ 909248	PCS	⑩ 980128	PCS
	4		6
M12		Ø7x40	
⑪ 980154	PCS		PCS
	4		
Ø24/13			
	PCS		PCS
	PCS		PCS

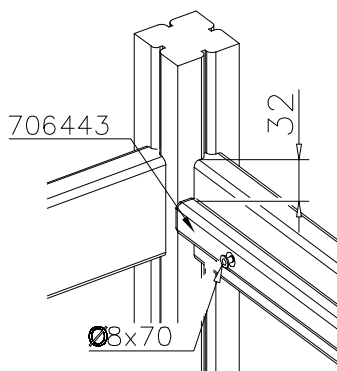
<p>DET 1</p>	<p>DET 2</p>	<p>DET 3</p> <p>NOTE Center boom grooves accurately to the roof truss. Leave no gaps! HUOM Asenna puomi keskelle kattotuolia. Älä jätä rakoja!</p>
<p>DET 4</p> <p>NOTE: Head of the element to the end of groove. HUOM: Elementin pää uran päähän.</p>	<p>DET 5</p> <p>NOTE: Install booms in to the cut of the roof truss. Leave no gaps! HUOM: Asenna puomit kattotuolin loveen. Älä jätä rakoja!</p>	<p>DET 6</p>
<p>DET 7</p>		



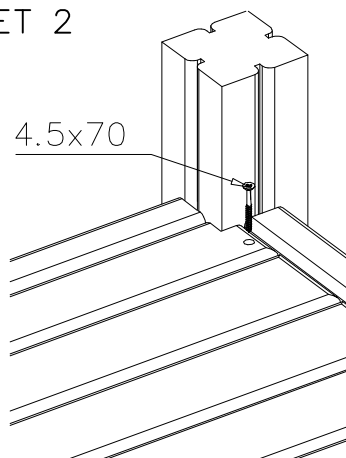
① 706443	PCS	② 705257	PCS
	2		1
32x45x702		32x750x750	
③ 900240	PCS	④ 980101	PCS
	6		8
Ø8x70		Ø4.5x70	
	PCS		PCS
	PCS		PCS



DET 1



DET 2



DET 3

