

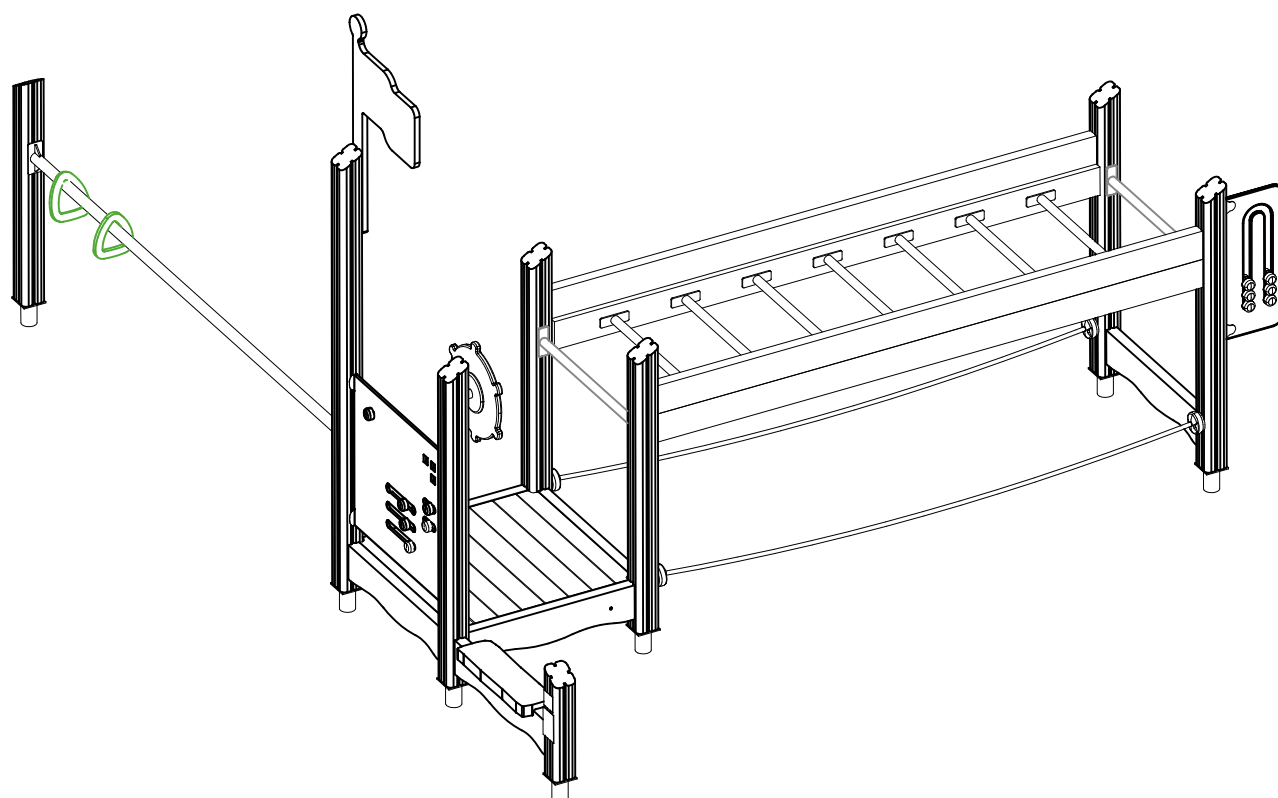
LAPPSET®

FLORA ASTM

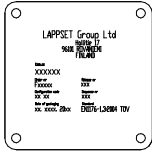
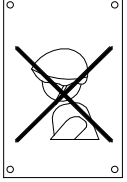
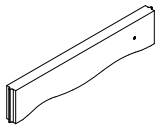
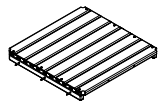

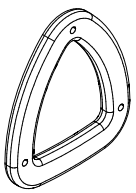
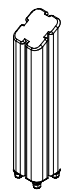
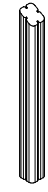
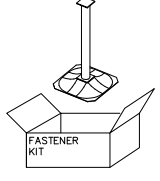

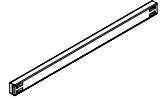
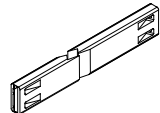
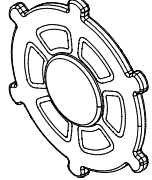
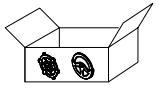
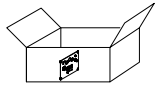
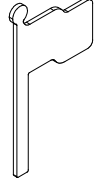
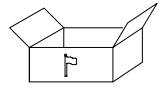
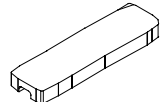
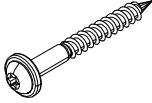
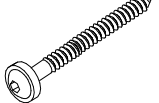
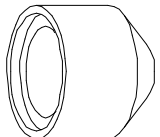
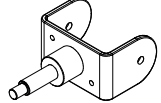
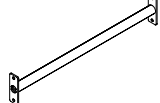
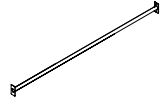
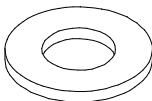

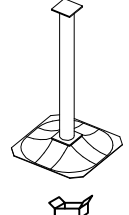

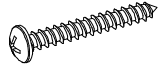
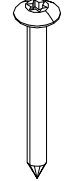

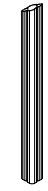

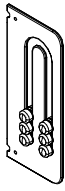
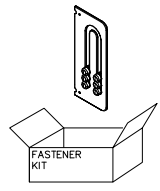
ASENNUSOHJE
MONTERINGSANSVISNING
INSTALLATION INSTRUCTION
AUFBAUANLEITUNG
NOTICE D'INSTALLATION

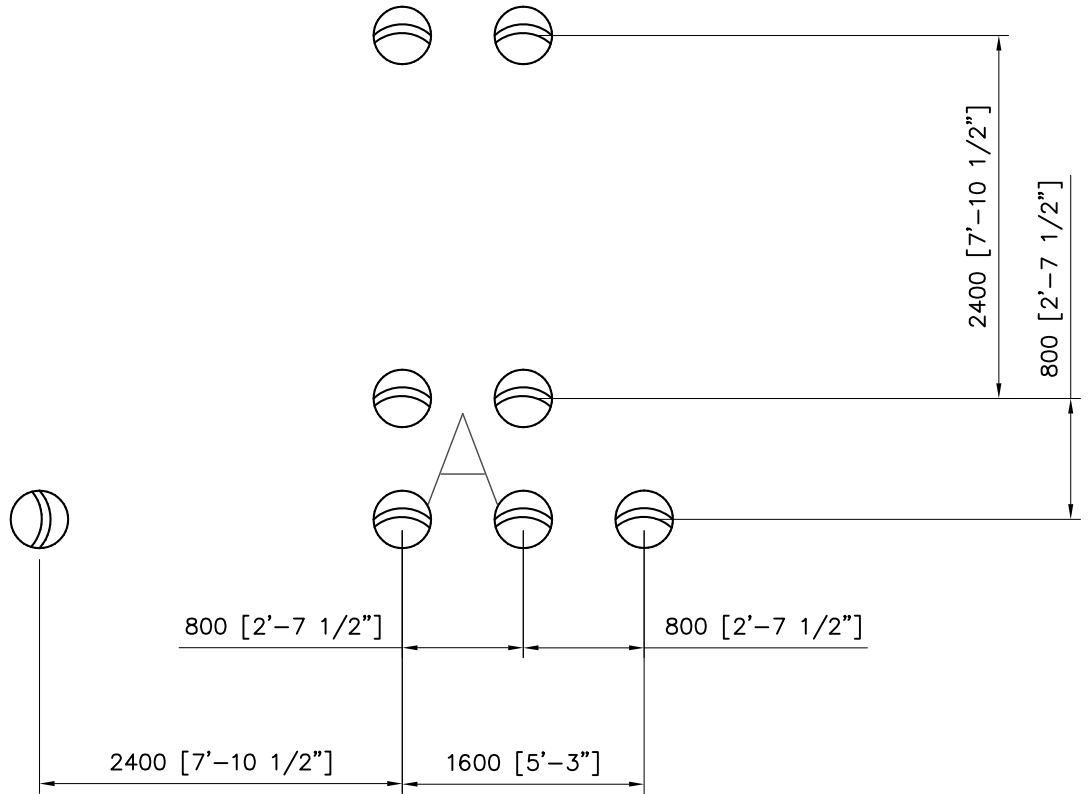
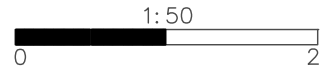
DATE: 31.7.2023

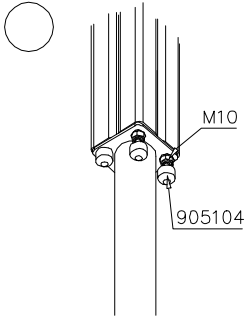
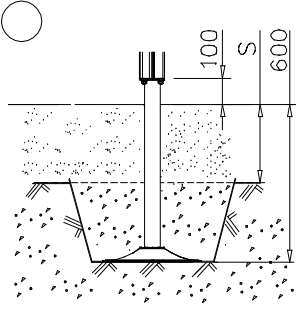
Q61048



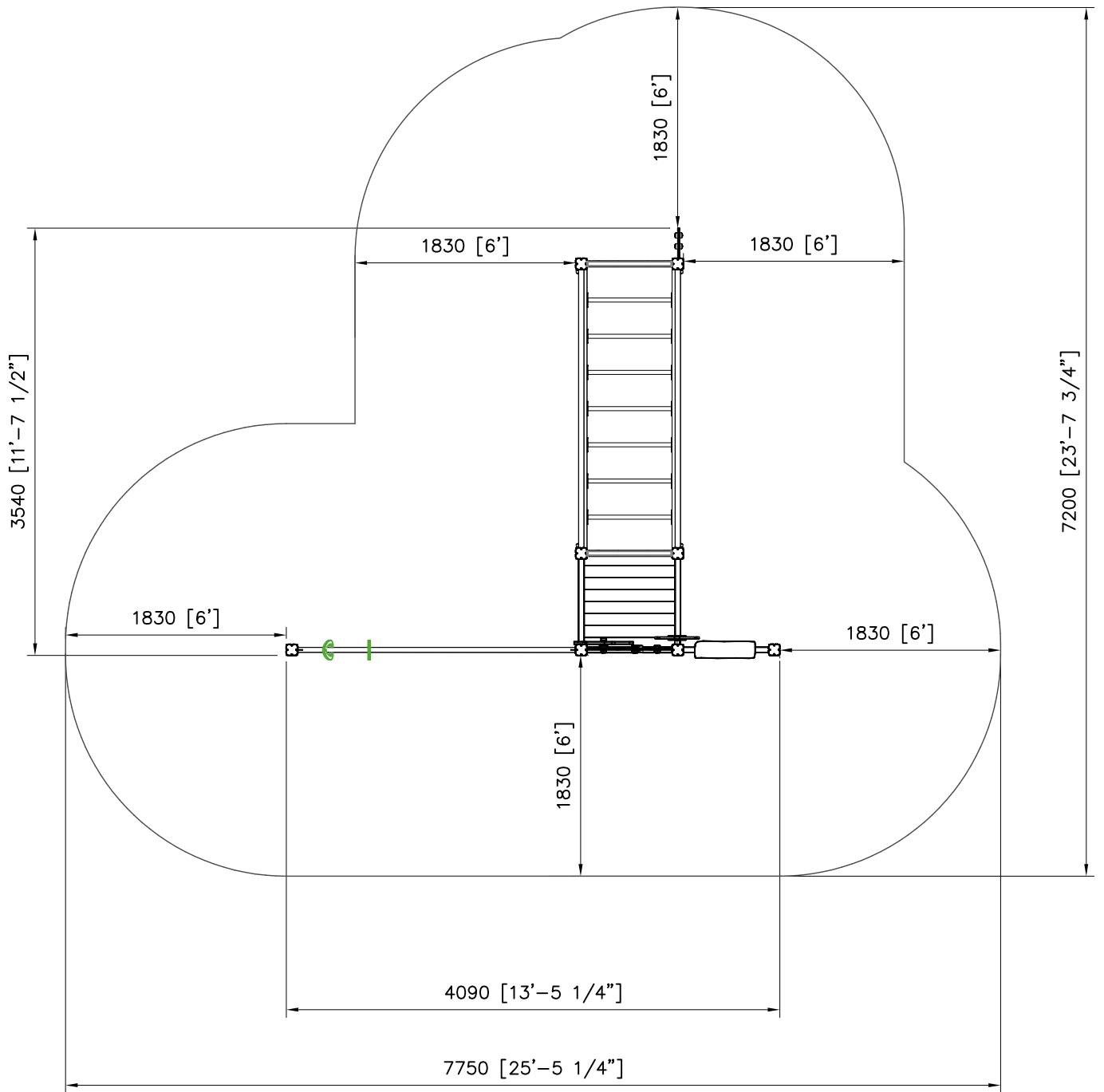
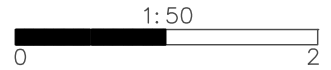
DATE: 31.7.2023

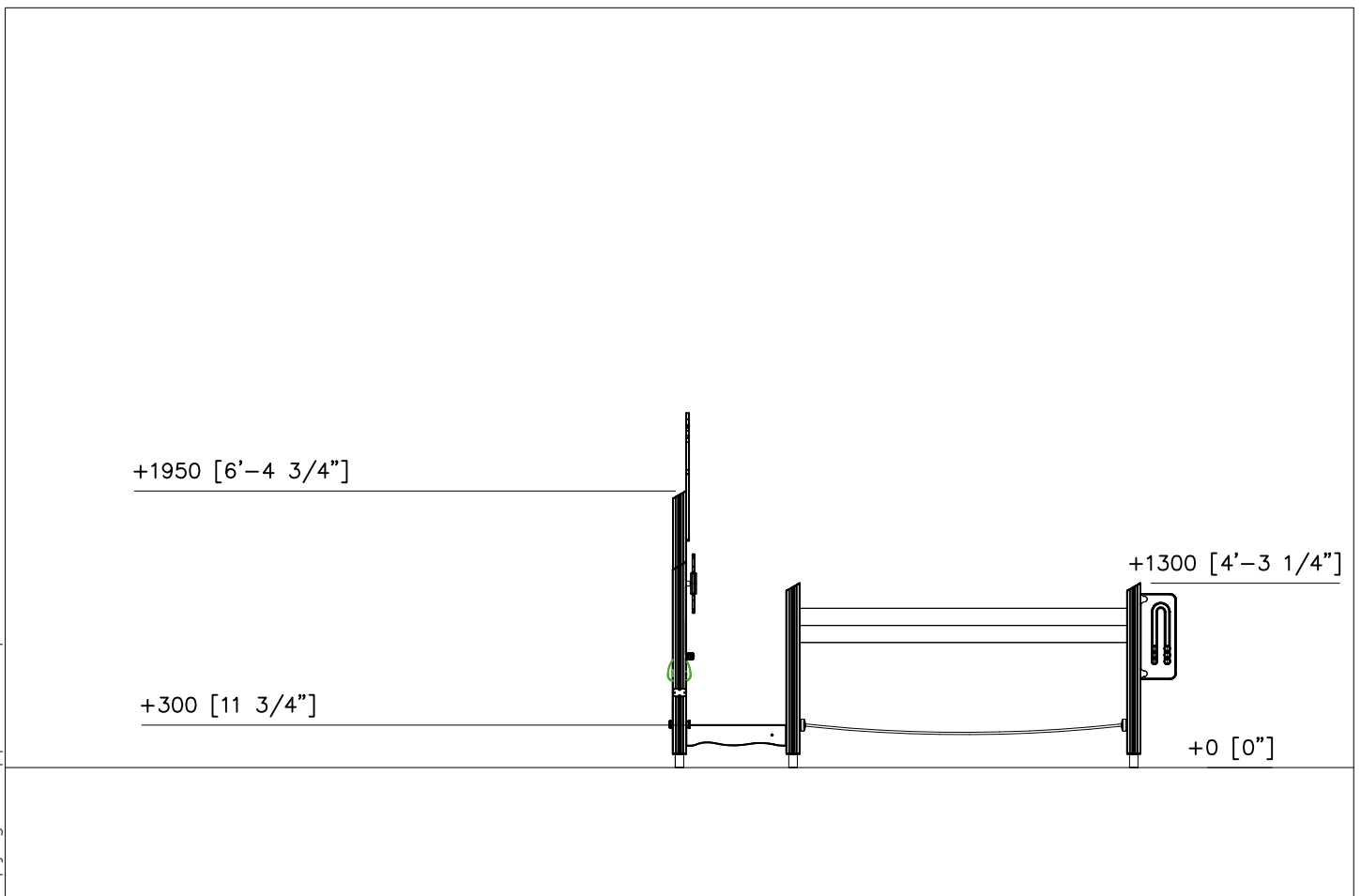
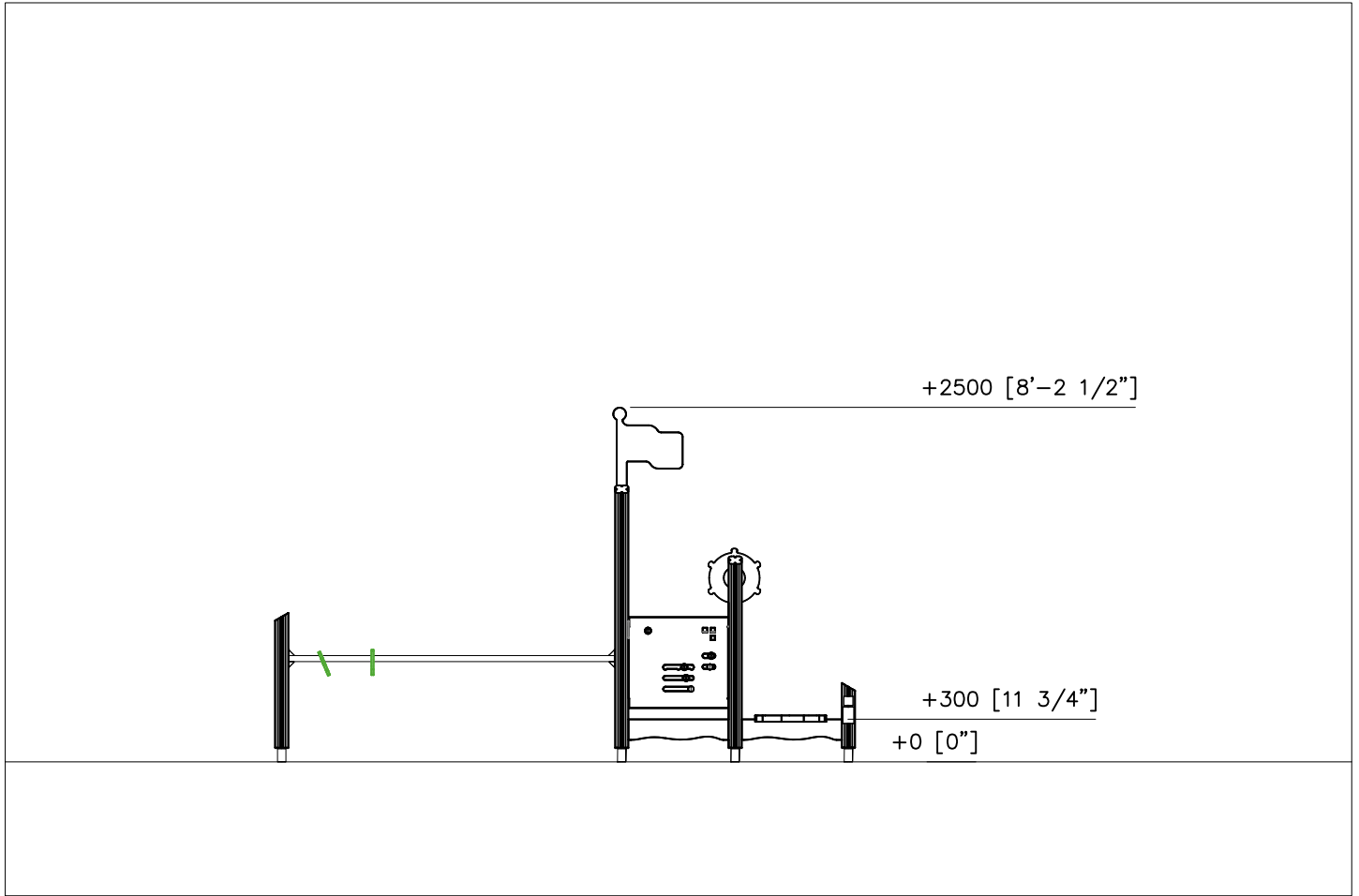
702286  65x65	PCS 1	702339  118x78	PCS 1	705211  L=724	PCS 6	705258  	PCS 1	705369-707 	PCS 2	705382  L 450	PCS 1
705705-707  10x640x702	PCS 1	706193  L=946	PCS 1	706531  FASTENER KIT	PCS 1	707288-303  L 2305	PCS 2	707294  70x120x2304	PCS 2	707295  L 2304	PCS 2
707320-702 	PCS 1	707333 	PCS 1	707449 	PCS 1	707621-610  21x489x900	PCS 1	707839 	PCS 1	708752  45x145x500	PCS 1
900240  Ø8x70	PCS 38	903093  Ø8x90	PCS 48	905104  M10	PCS 28	905879 	PCS 1	907694-216  L 704	PCS 9	908253-216  2304x130x60	PCS 1
909256  Ø16/8.4x1.6	PCS 8	909511  90x90x650	PCS 1	909519  50x380x380	PCS 1	909521  	PCS 7	980114  Ø4x20	PCS 8	980123  Ø7x60	PCS 8
P07524 	PCS 1	P07664  L=1200	PCS 4	P07837  L=1346	PCS 1	P13979-707  10x250x600	PCS 1	P13981  FASTENER KIT	PCS 1		PCS
	PCS		PCS		PCS		PCS		PCS		PCS

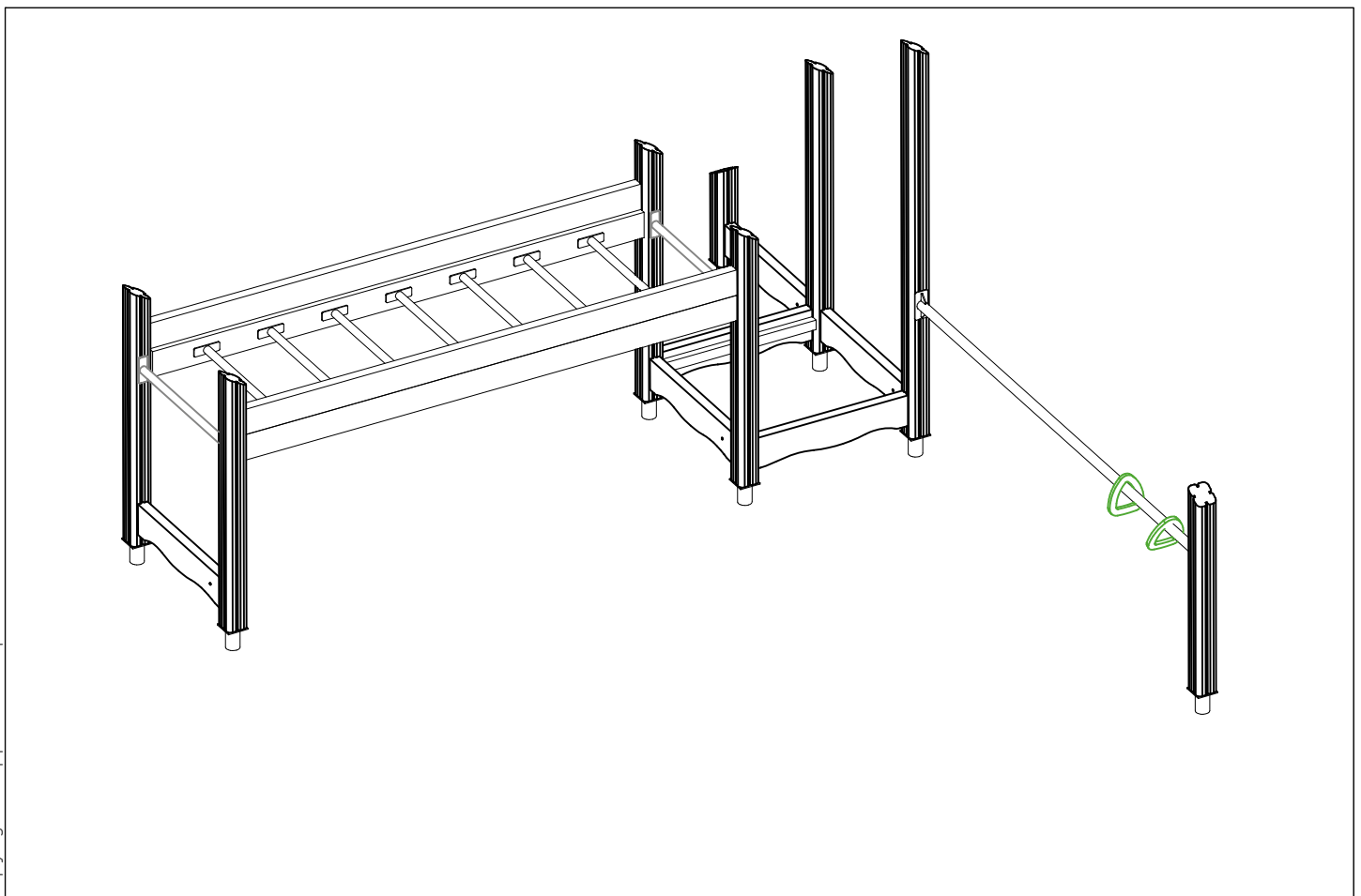
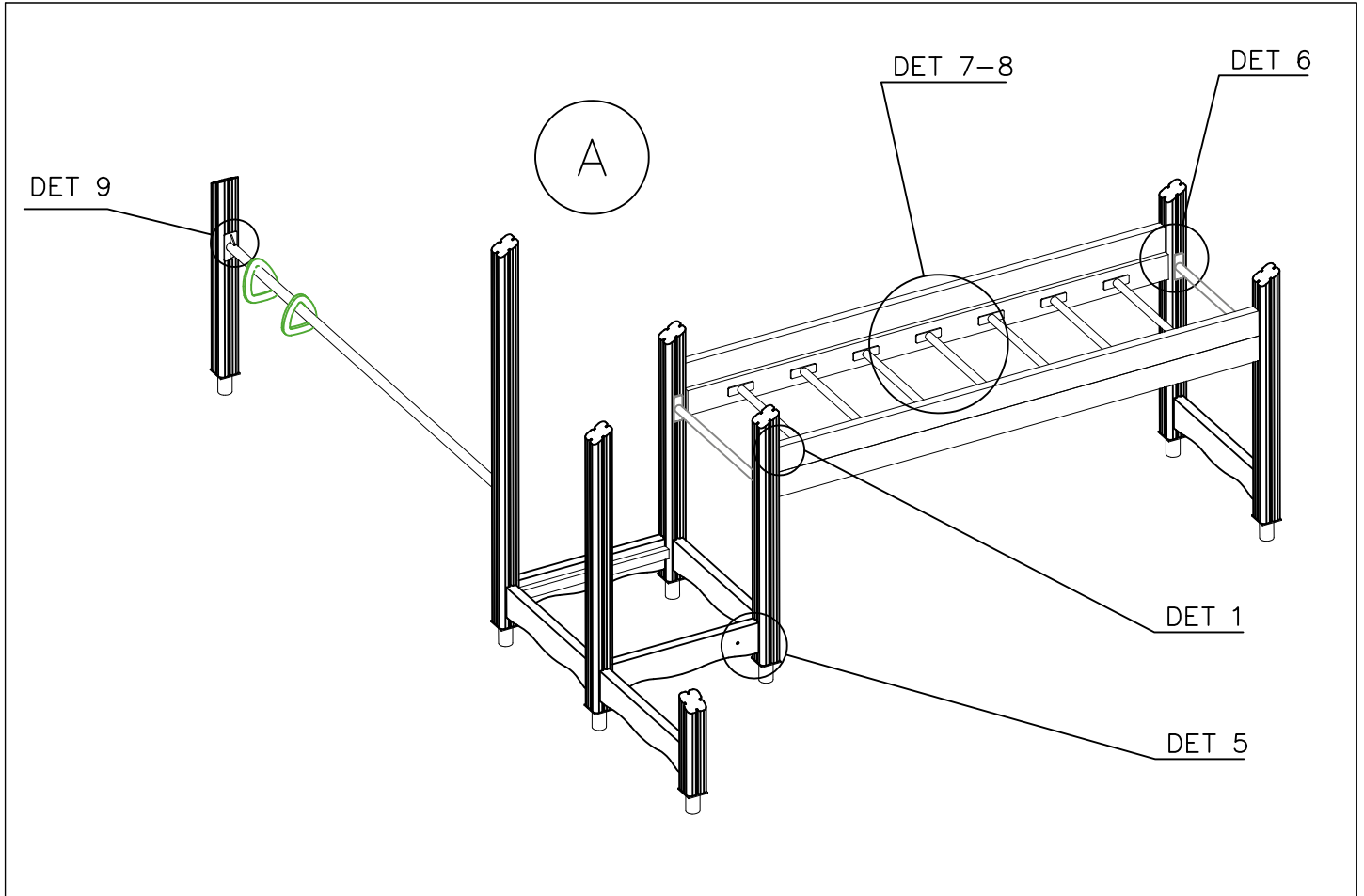


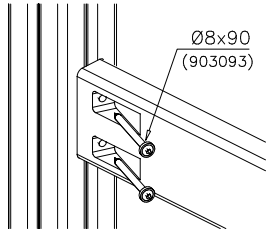
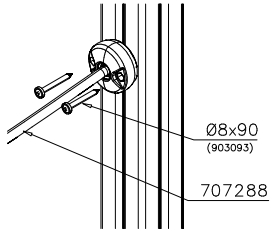
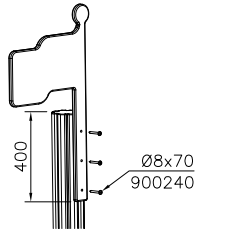
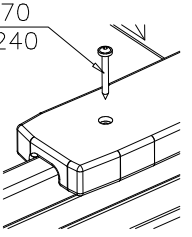
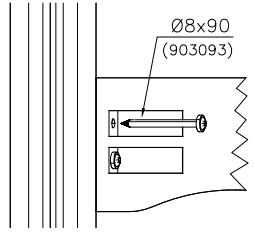
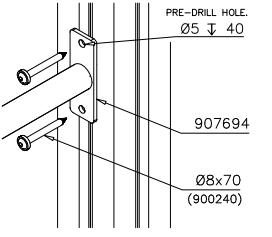
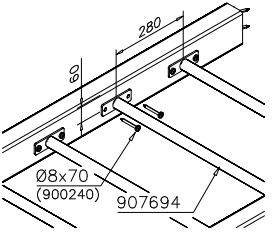
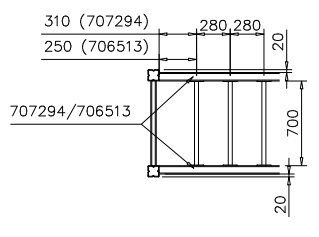
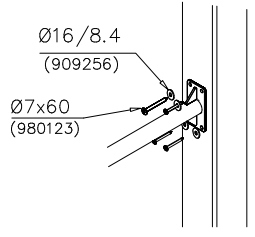
		

Use Zone 432 sq ft
Max Fall Height 3'-8 1/2"

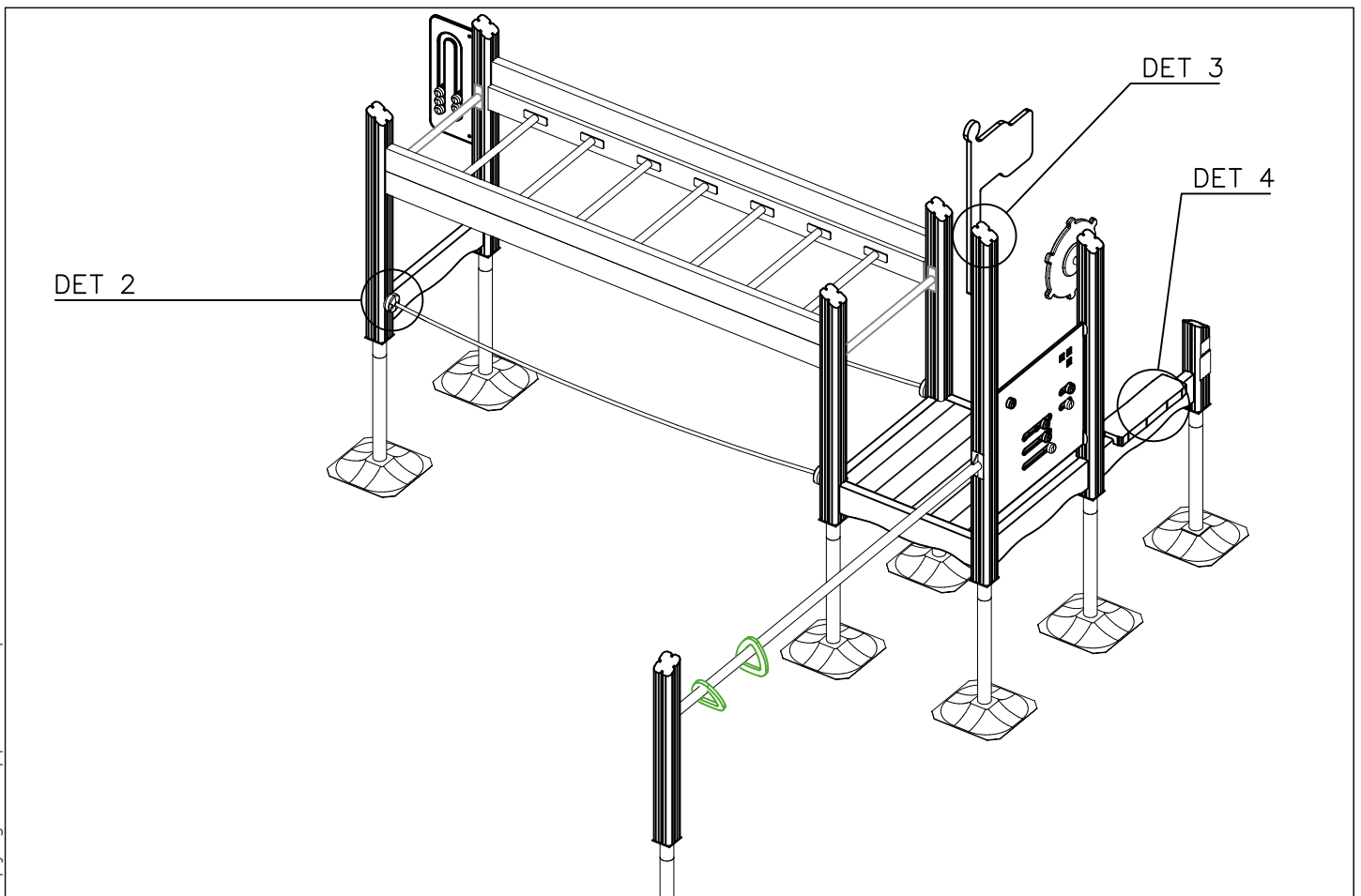
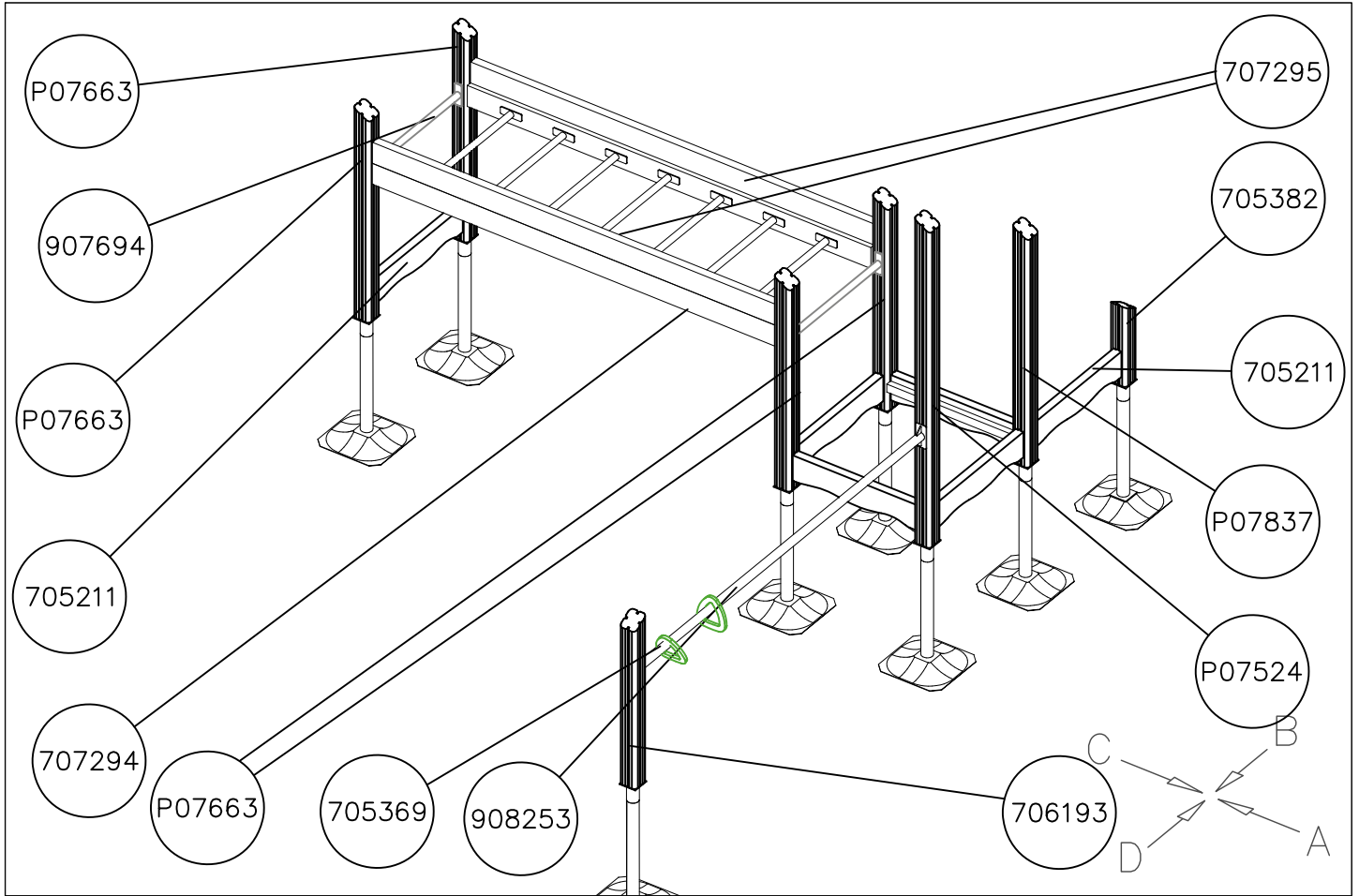






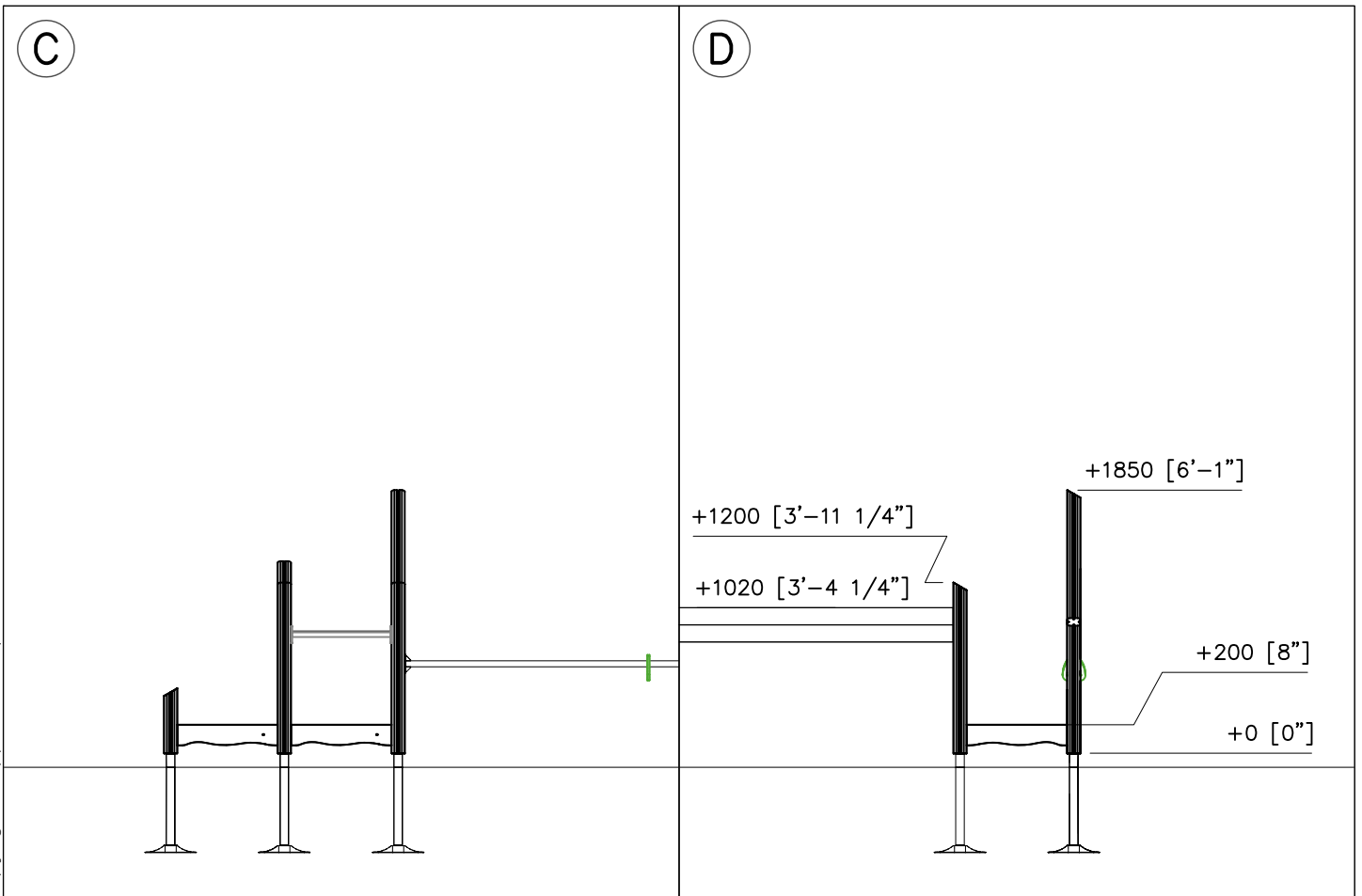
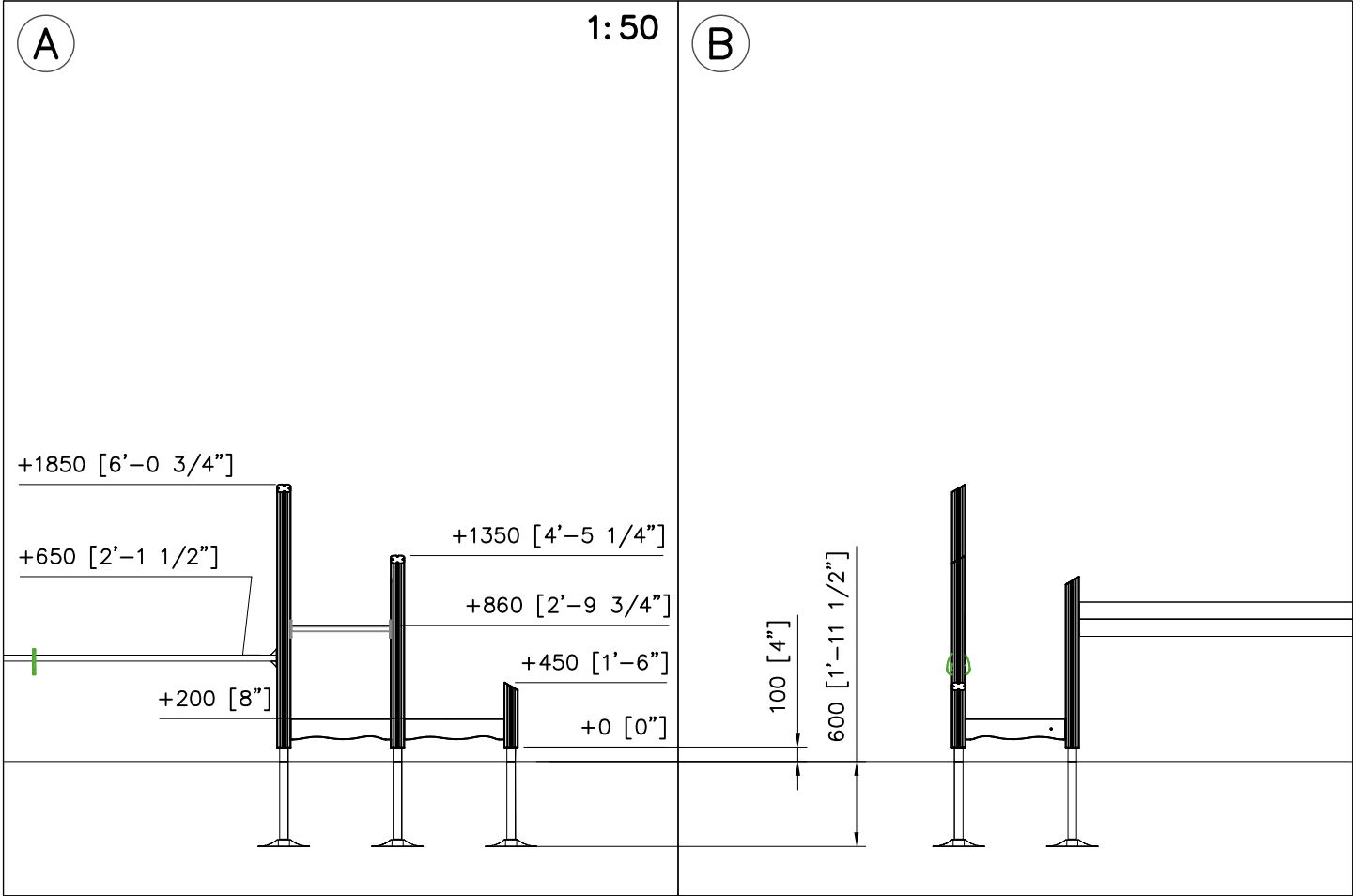
<p>DET 1</p> 	<p>DET 2</p> 	<p>DET 3</p> 	<p>DET 4</p> 
<p>DET 5</p> 	<p>DET 6</p> 	<p>DET 7</p> 	<p>DET 8</p> 
<p>DET 9</p> 			

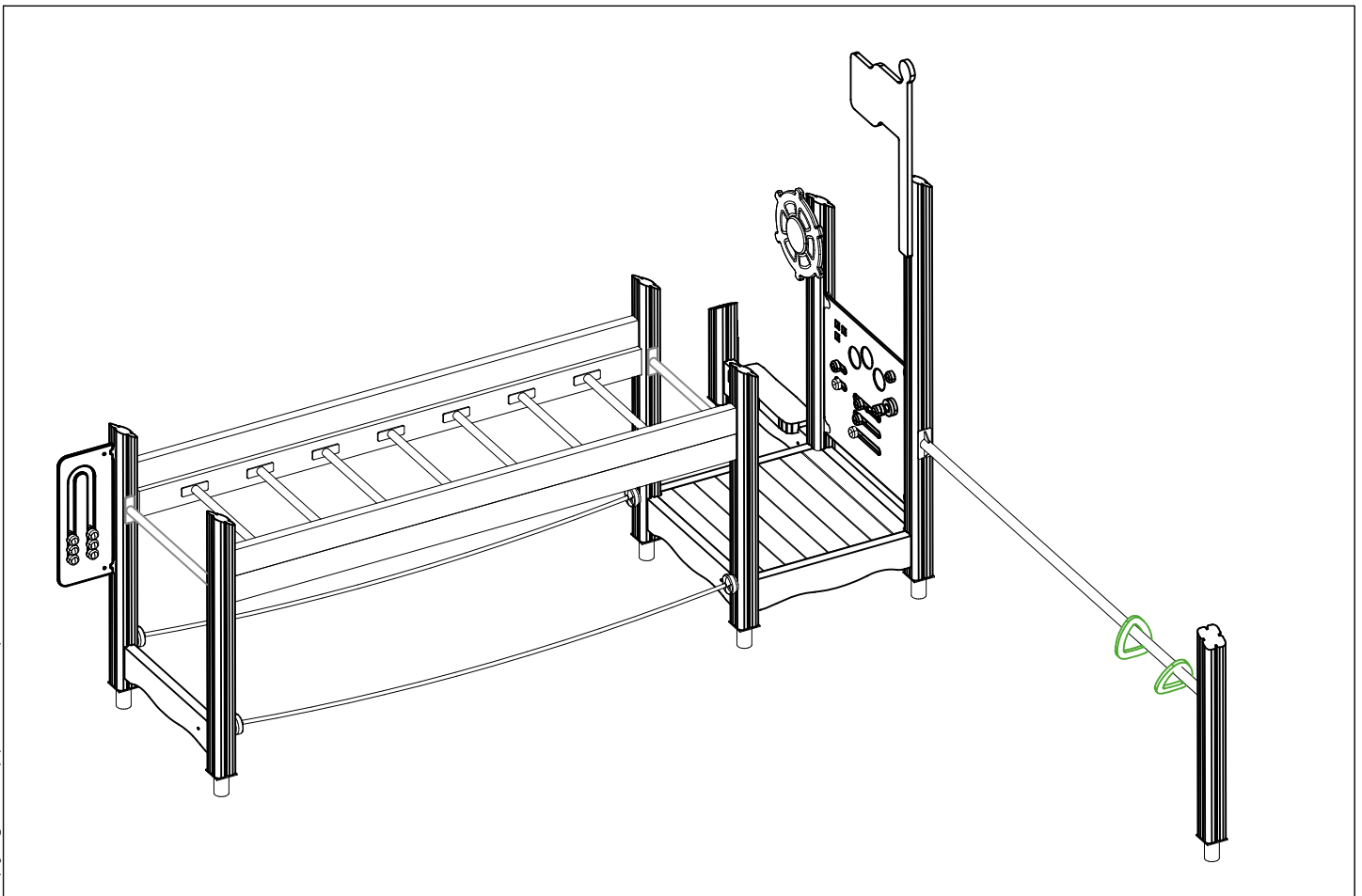
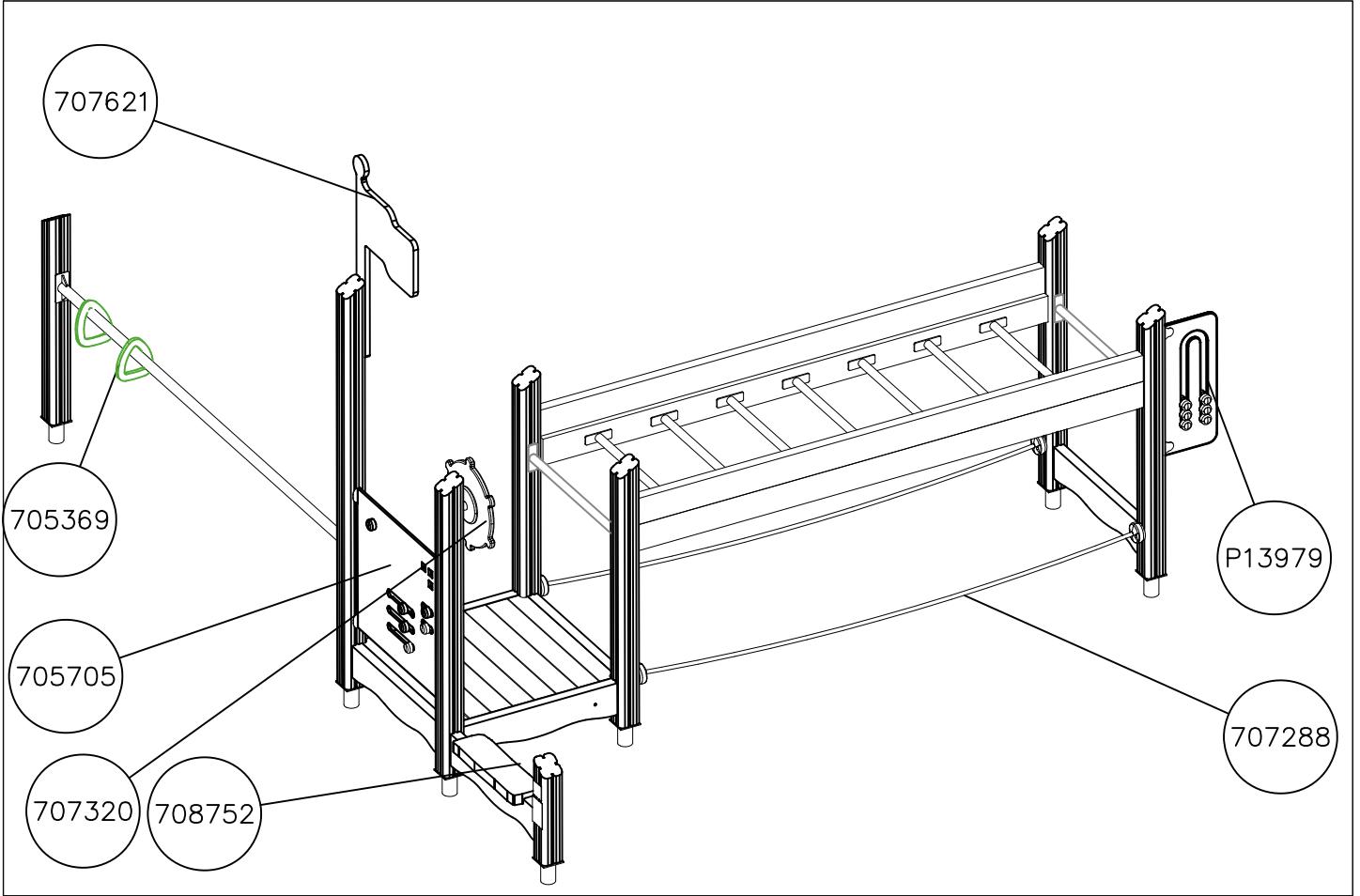
DATE: 31.7.2023

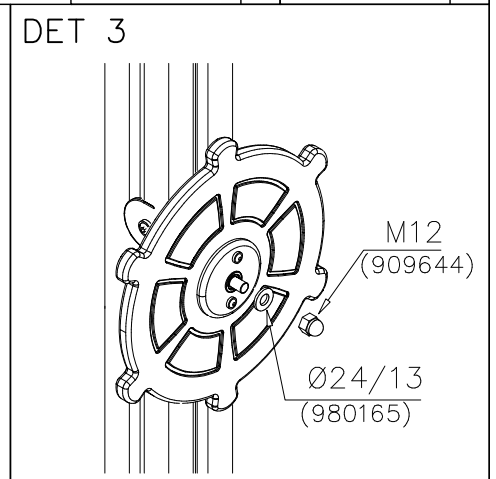
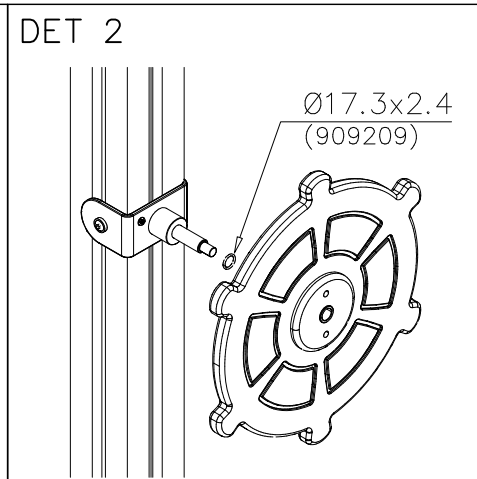
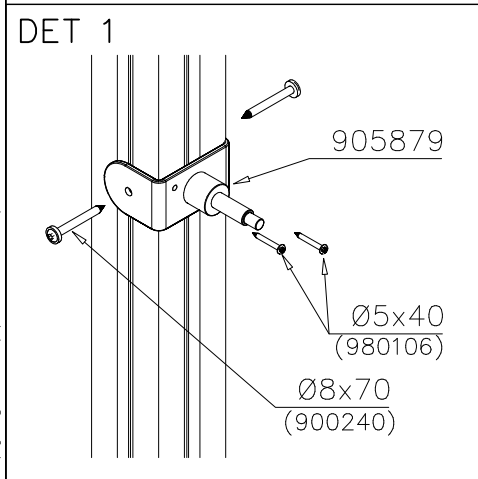
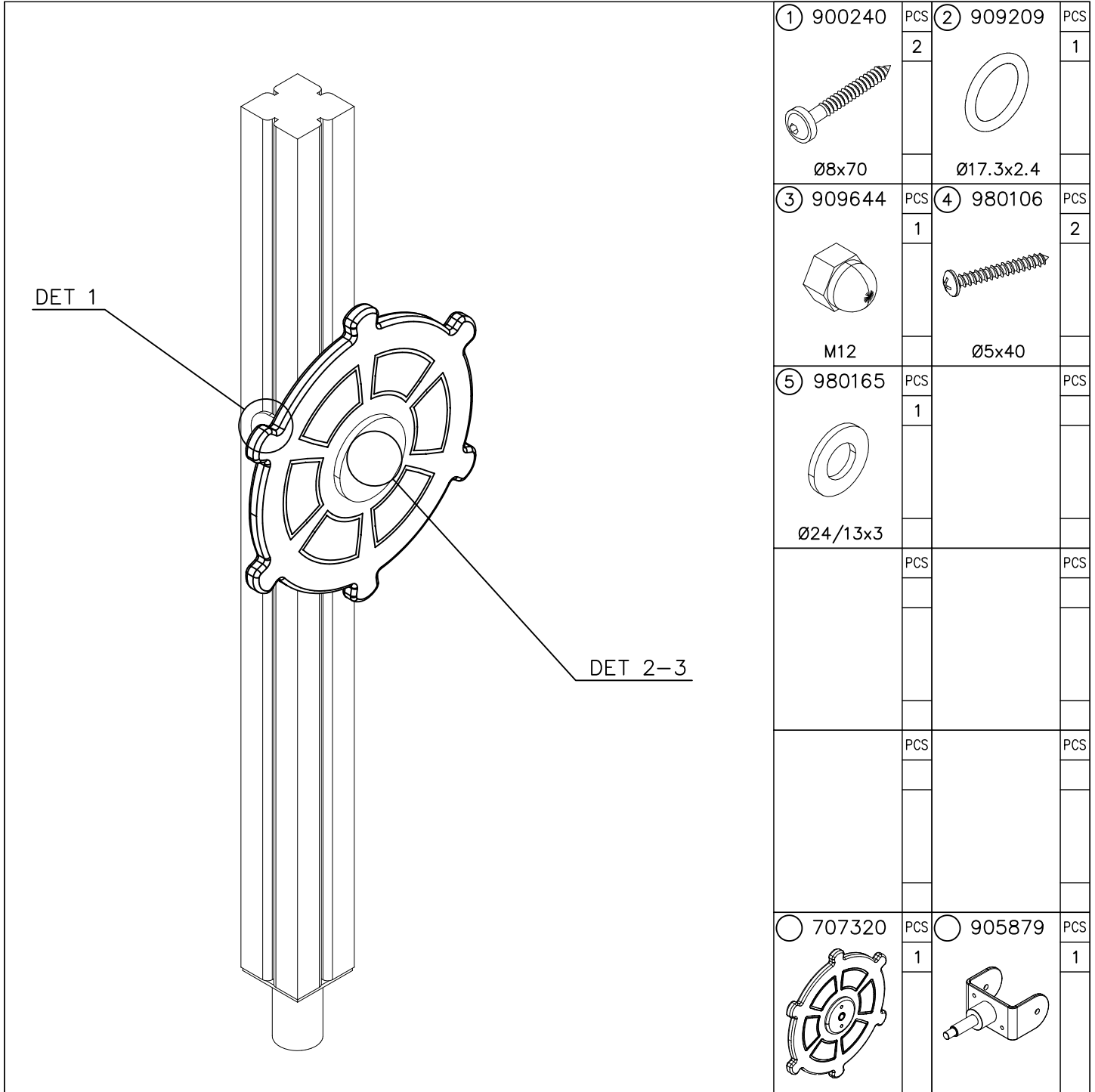


DATE: 31.7.2023

1:50





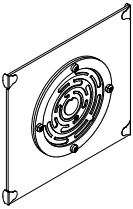
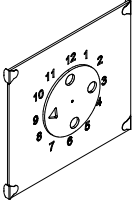
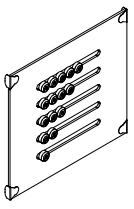
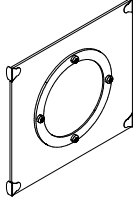
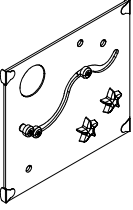
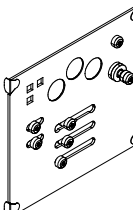
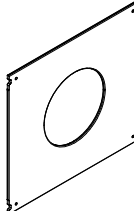
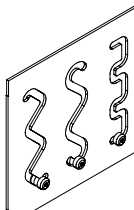
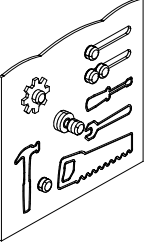
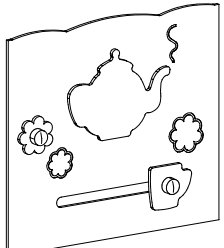
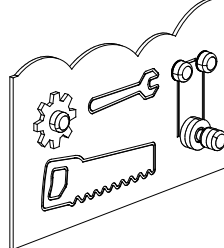


① 903176	PCS	② 909850	PCS
	4		4
		M8x25	
③ 909256	PCS	④ 909633	PCS
	8		4
Ø16/8.4x1.6		M8	
⑤ 980123	PCS		PCS
	4		
Ø7x60			

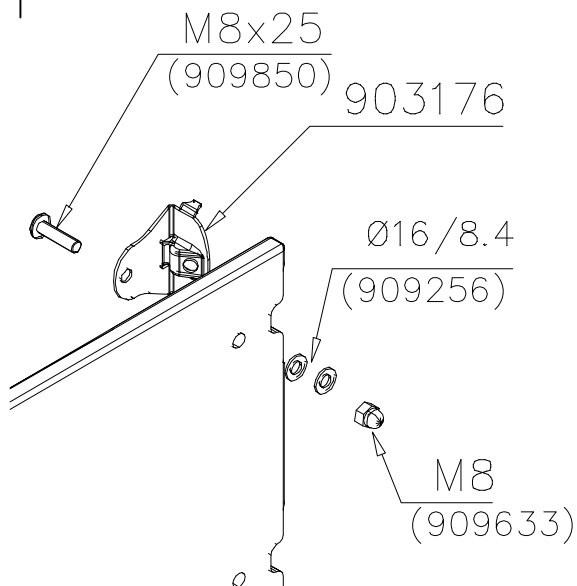
***Note:**
No gaps between:
8–25mm
89–230mm

COLOR OPTIONS	
-701	BLUE
-702	YELLOW
-703	LIME
-704	DARK GRAY
-705	LIGHT GRAY
-706	RED
-707	GREEN
-708	FUXIA

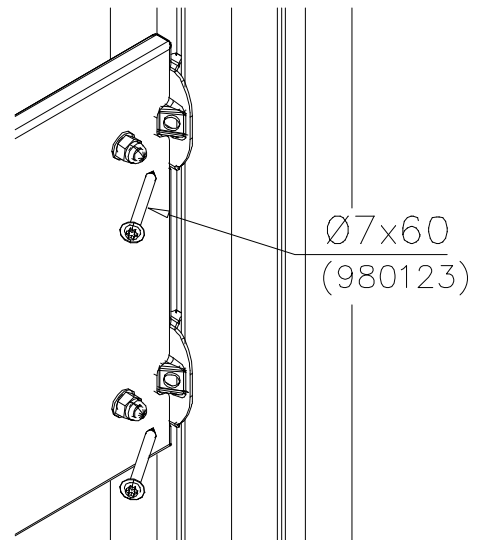
GAME WALL OPTIONS

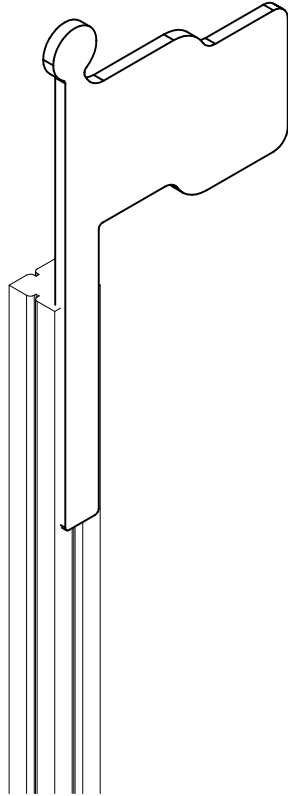
706766	706772	706308	707453
			
640x702	640x702	640x702	640x702
707209	705705	707433	707386
			
640x702	640x702	640x702	640x702
709403	709358	709405	
			
640x702	640x702	420x702	

DET 1

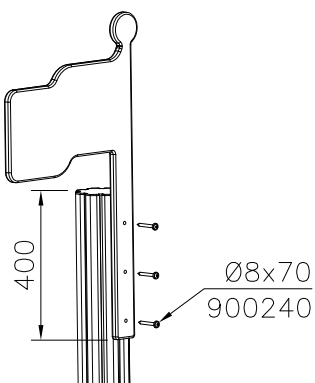



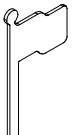
DET 2





DET 2



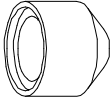
① 900240	PCS		PCS
	3		
			
	Ø8x70		
	PCS		PCS
	PCS		PCS
	PCS		PCS
	PCS		PCS
	PCS		PCS
○ 707621	PCS		PCS
	1		
21x489x900			

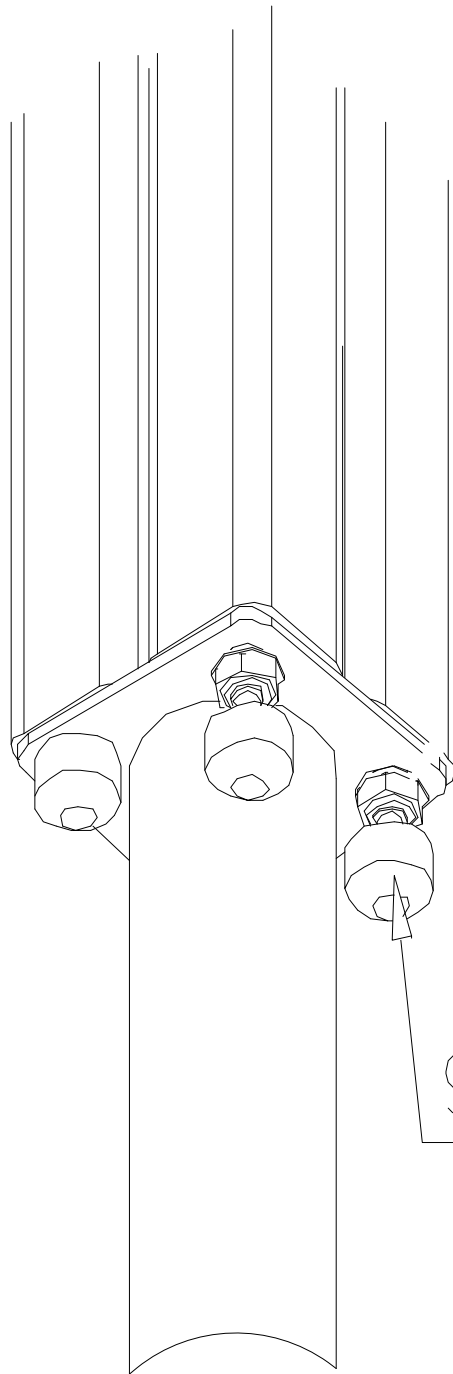
LAPPSET® BETON FOUNDATION

FOOT

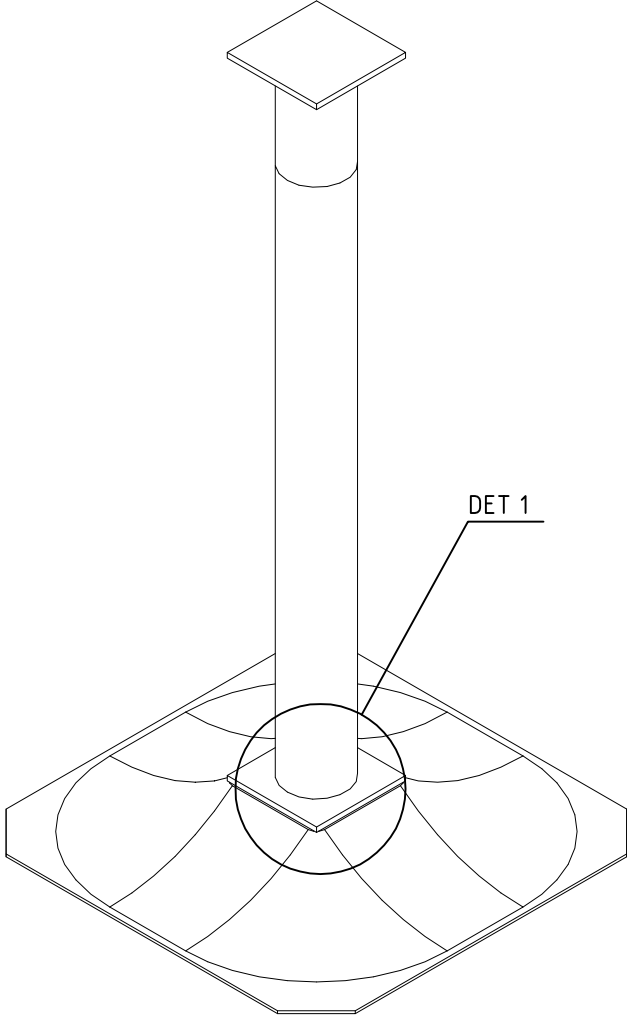
DATE: 27.10.2015


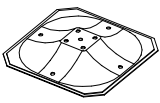


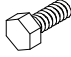
1(1)

② 905104	PCS		PCS
	4		
 M10	PCS		PCS

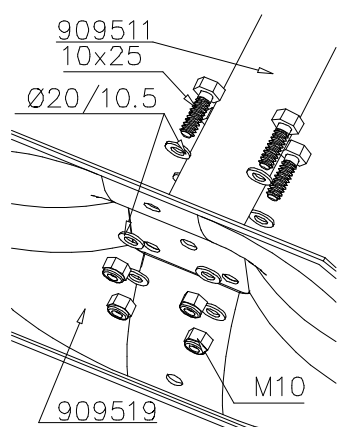


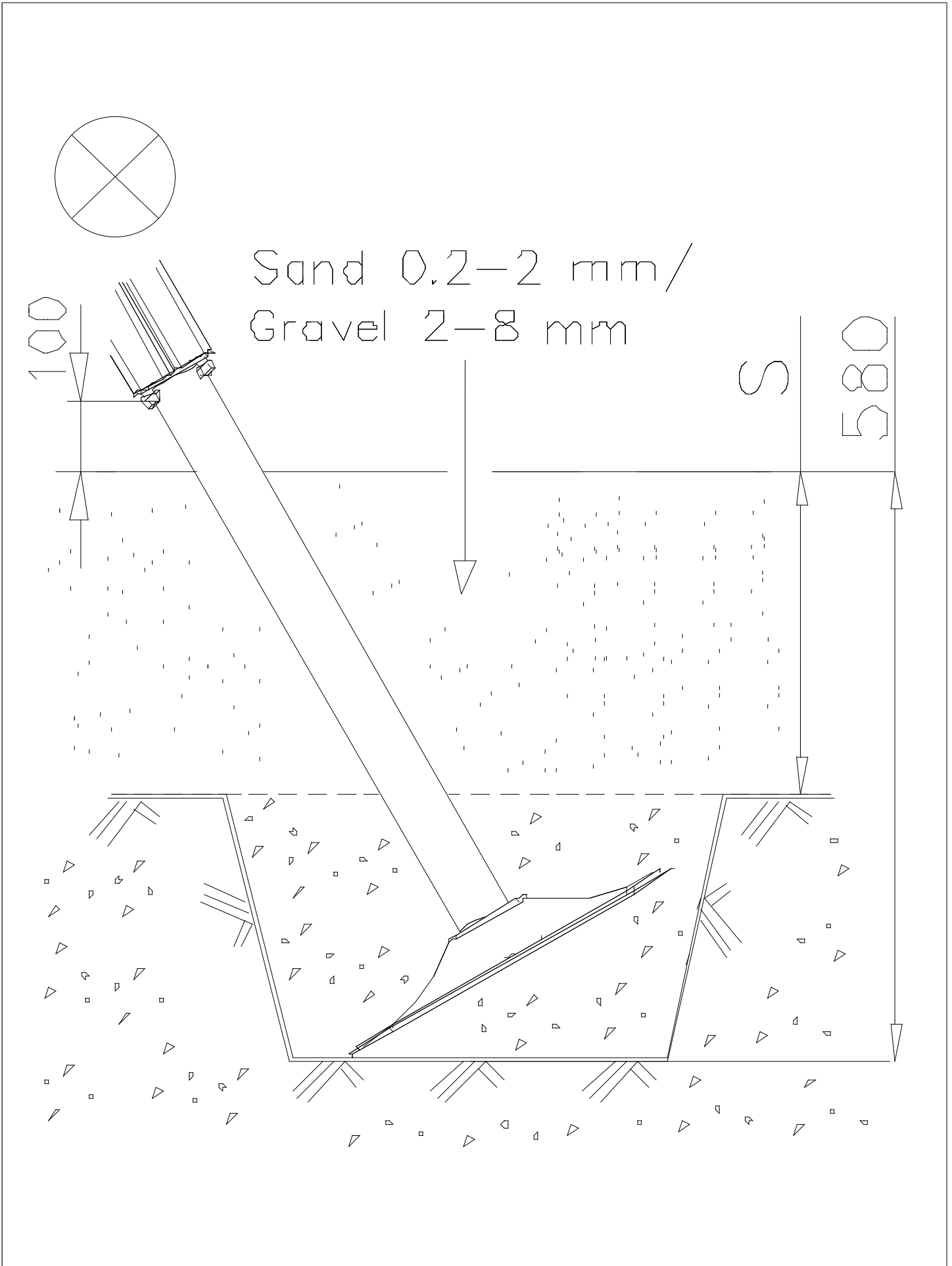
905104

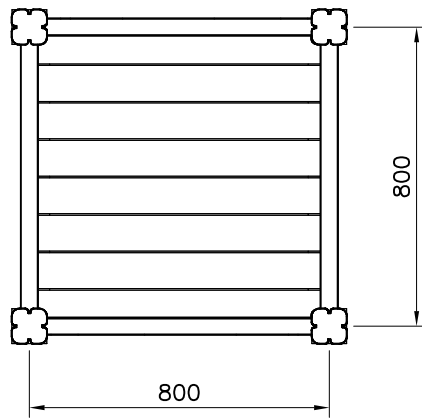
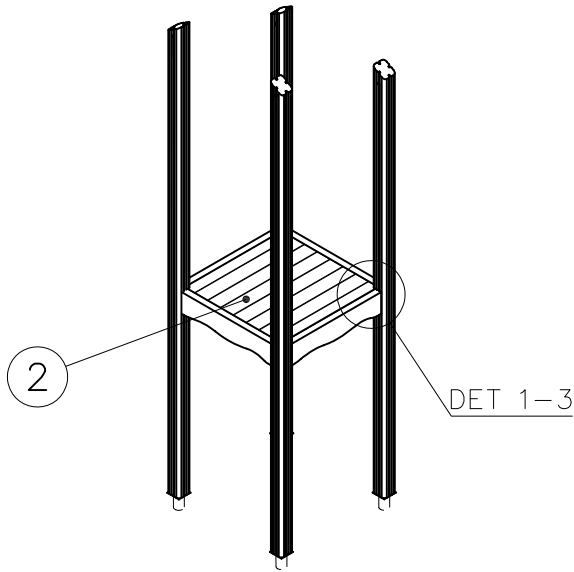


①	909511	PCS	②	909519	PCS
		1			1
③	909637	PCS	④	909638	PCS
		4			8
	M10			Ø20/10.5	
⑤	909639	PCS			PCS
		4			
	M10x25				
		PCS			PCS
		PCS			PCS
		PCS			PCS
		PCS			PCS
		PCS			PCS

DET 1

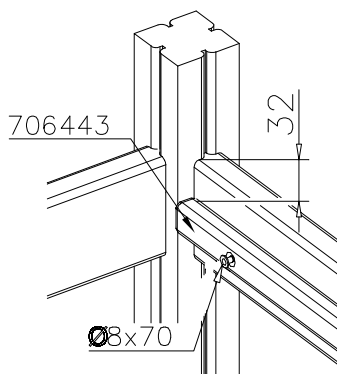




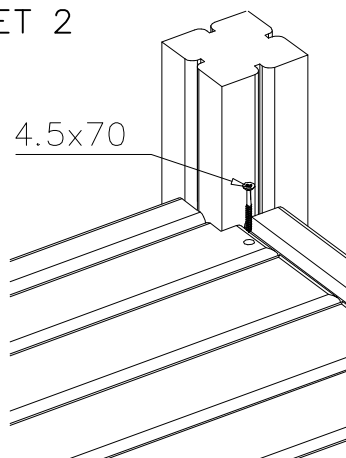


① 706443	PCS	② 705257	PCS
	2		1
32x45x702		32x750x750	
③ 900240	PCS	④ 980101	PCS
	6		8
Ø8x70		Ø4.5x70	
	PCS		PCS
	PCS		PCS

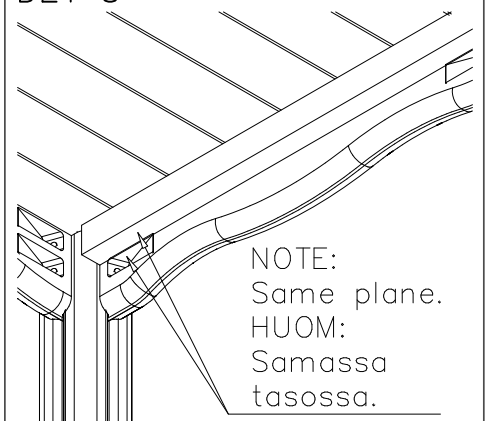
DET 1



DET 2



DET 3

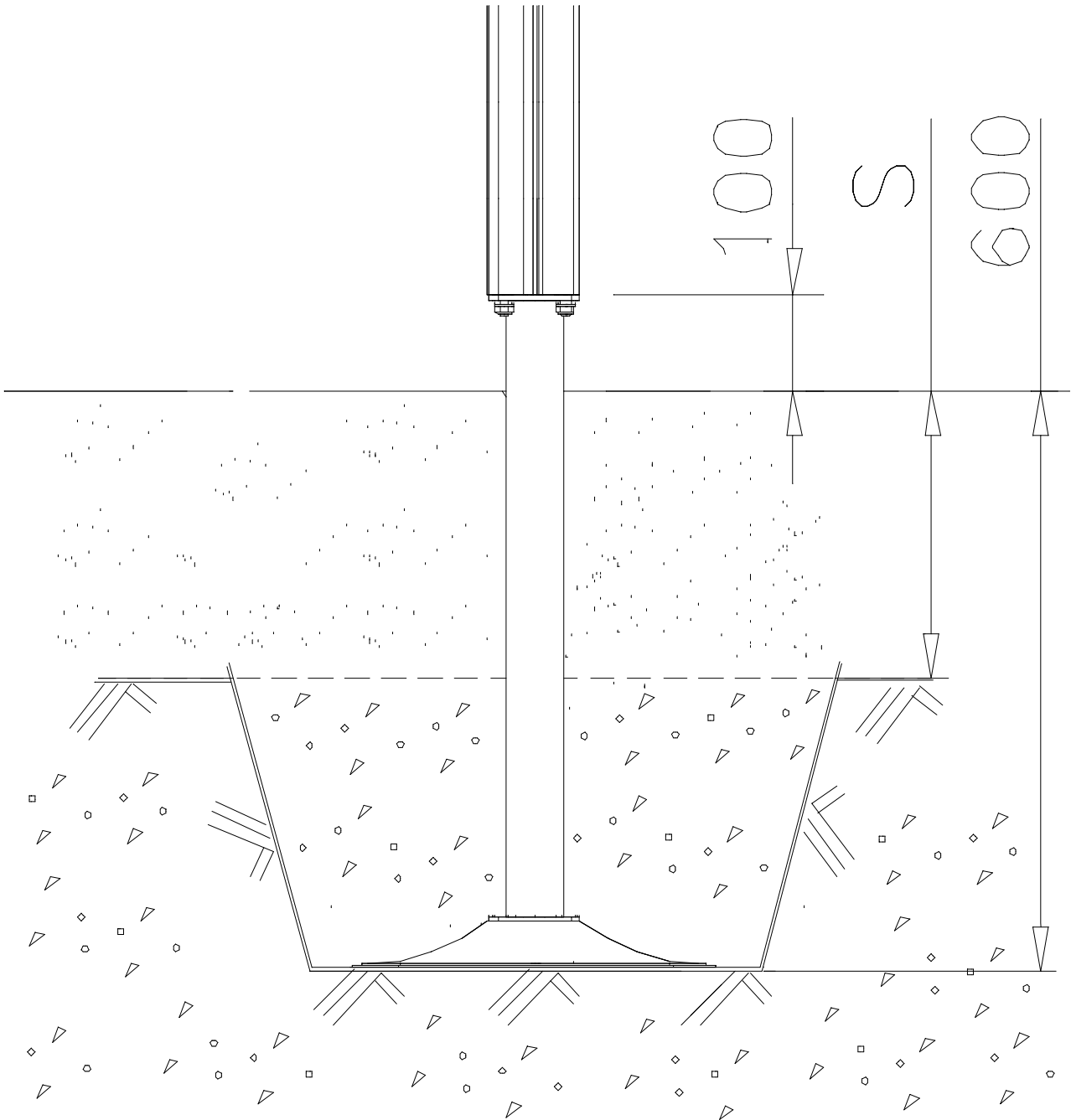
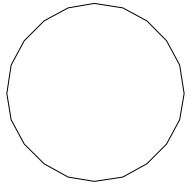


LAPPSET®
DEEP FOUNDATION

FOOT

DATE: 13.3.2014

4A

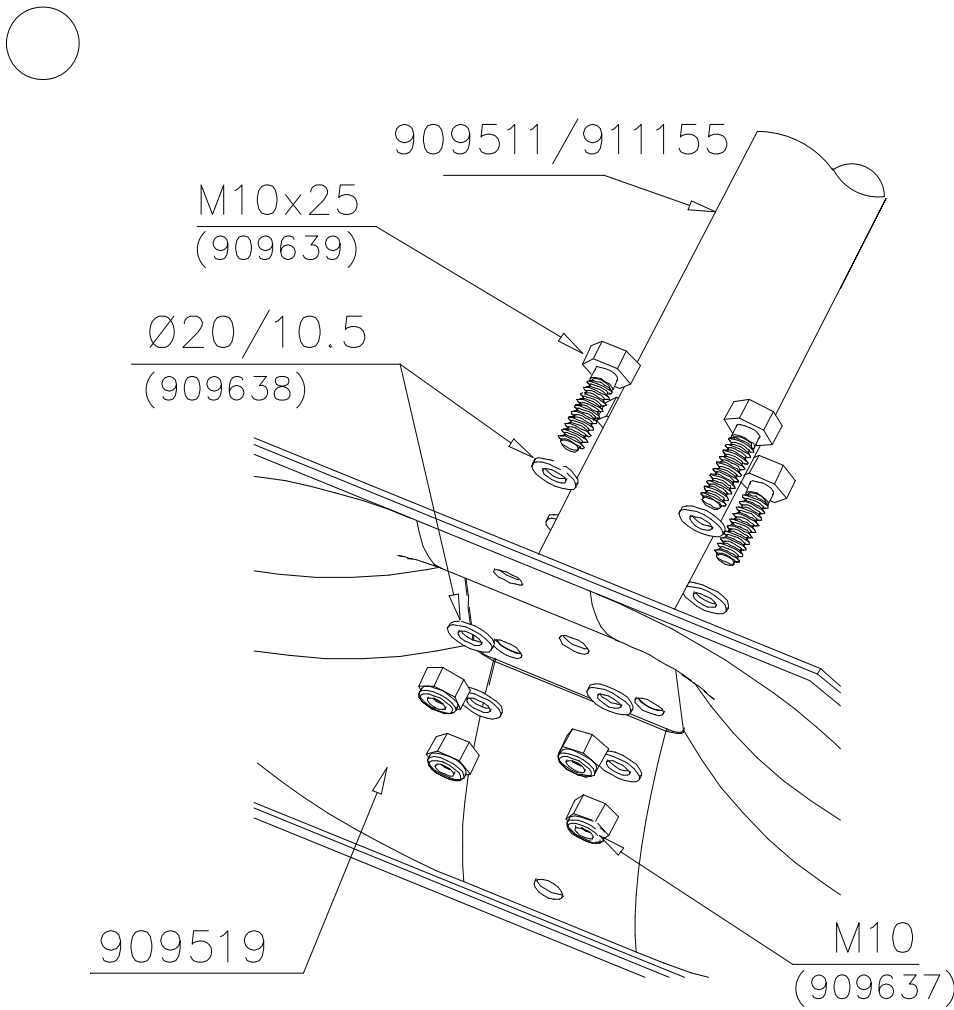



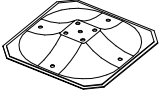
LAPPSET® DEEP FOUNDATION

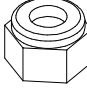

FOOT

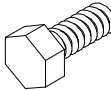
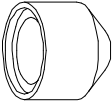
DATE: 15.5.2018

1(1)




① 909511	PCS	② 909519	PCS
	1		1
90x90x650		50x380x380	

③ 909637	PCS	④ 909638	PCS
	4		8
M10		Ø20/10.5	

⑤ 909639	PCS	⑥ 905104	PCS
	4		4
M10x25		M10	

OPTION FOOT

① 911155	PCS		PCS
	1		
90x90x650			