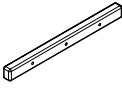
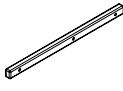

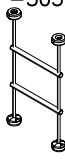


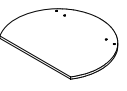



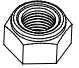
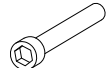
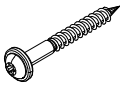

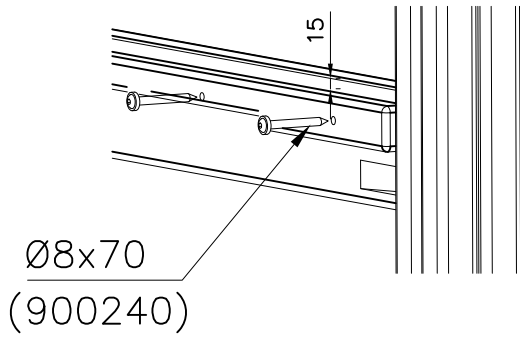
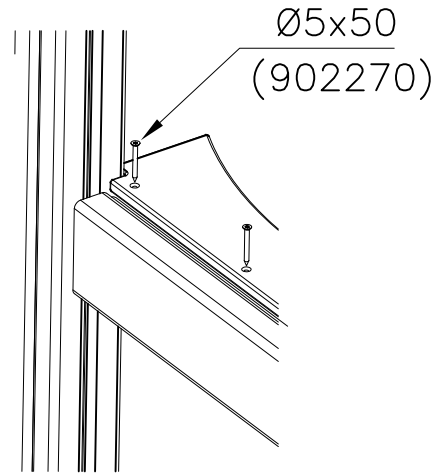


①	709011	PCS	②	706443	PCS
		1			2
	32x95x502			32x95x702	
③	708988 -303	PCS	④	708990 -303	PCS
		1			1
	Ø16x1100			Ø16x795	
⑤	708991 -303	PCS	⑥	708950 -707	PCS
		2			1
	Ø16x575			15x750x750	
⑦	708951 -707	PCS	⑧	902270	PCS
		1			8
	Ø650x15			Ø5x50	
⑨	980123	PCS	⑩	901302	PCS
		8			4
	Ø7x60			Ø20/10.5x2	
⑪	980150	PCS	⑫	909863	PCS
		8			8
	M8			M8x65	
⑬	900240	PCS	⑭	980128	PCS
		9			5
	Ø8x70			Ø7x40	

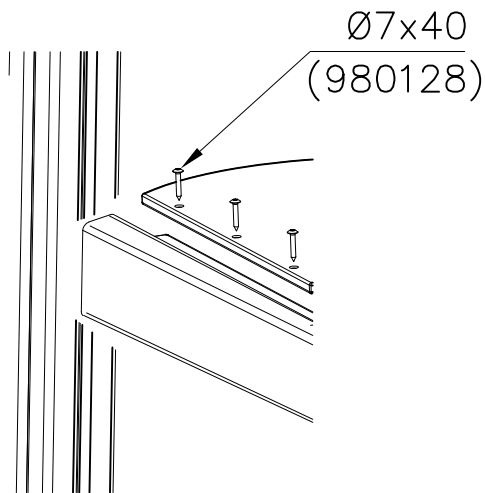
DET 1



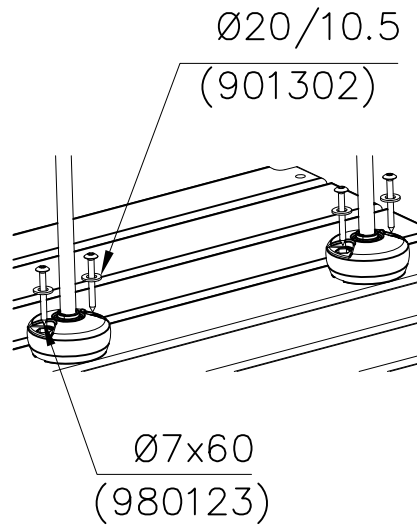
DET 2



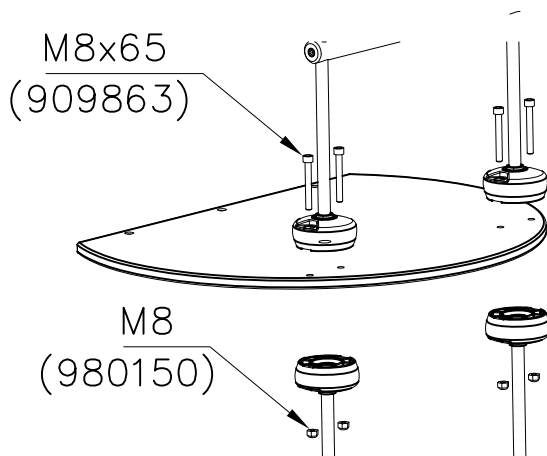
DET 3



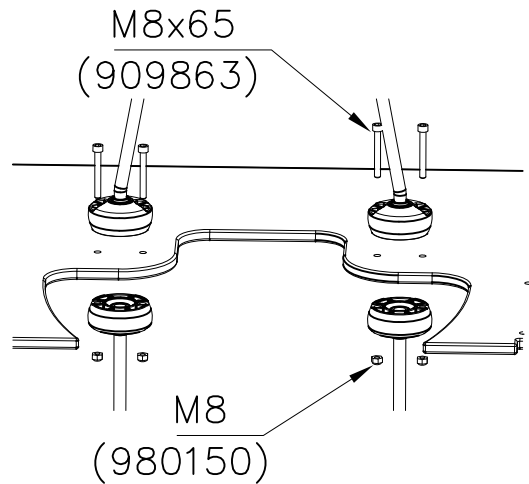
DET 4



DET 5



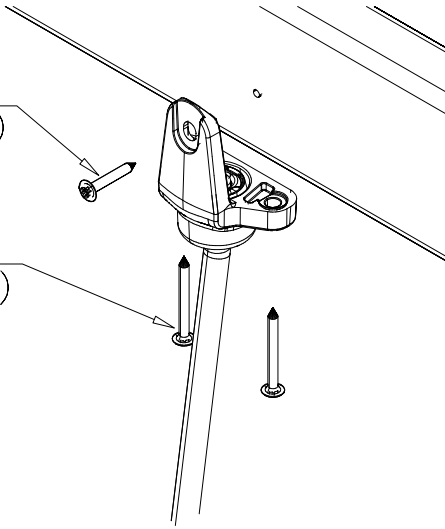
DET 6

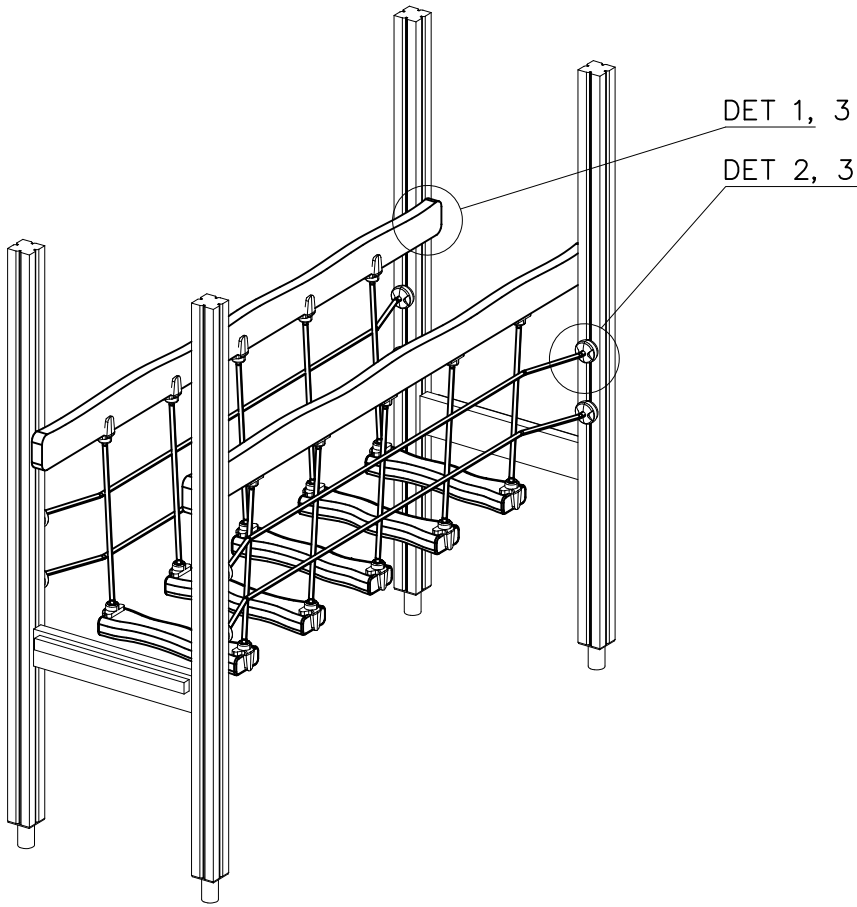


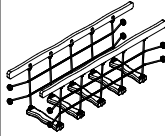
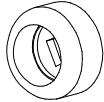



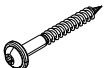
DET 7

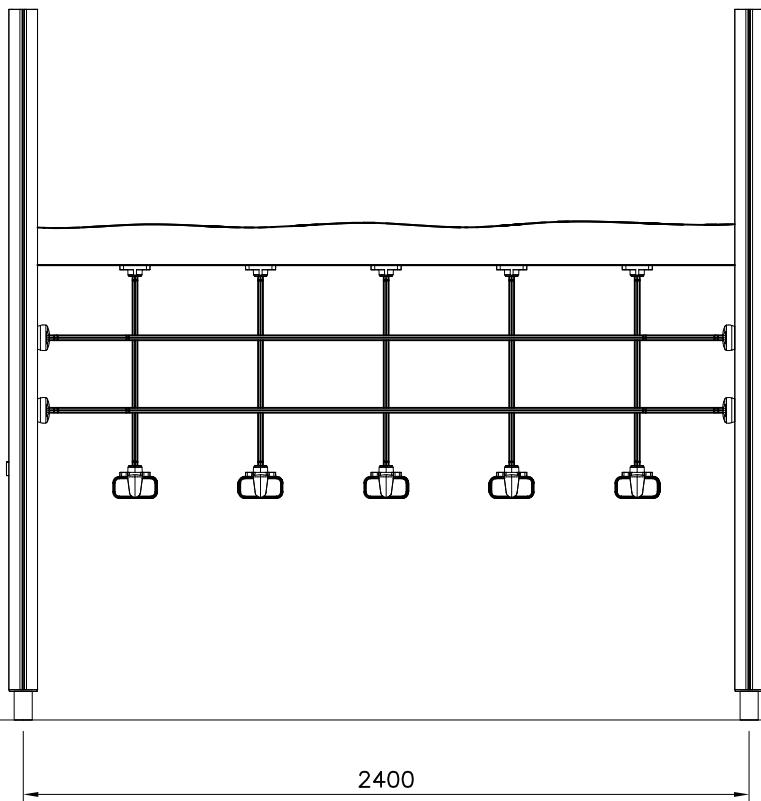
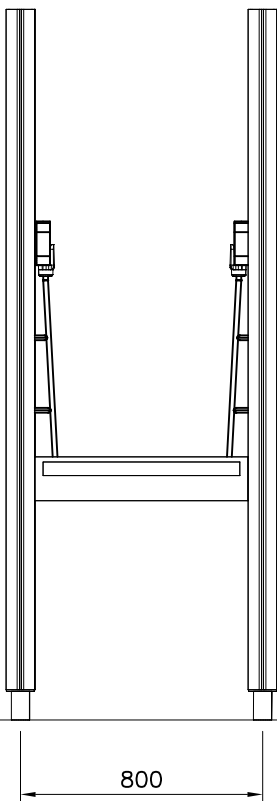
Ø7x40
(980128)

Ø7x60
(980123)

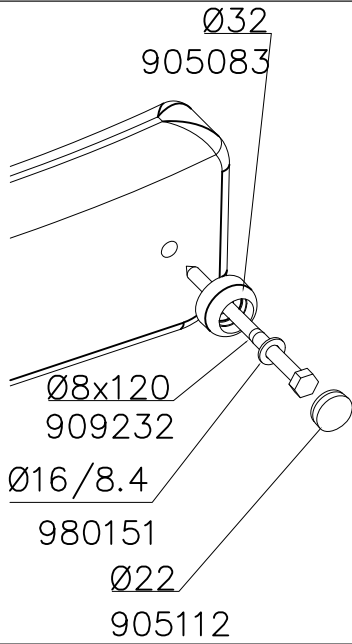




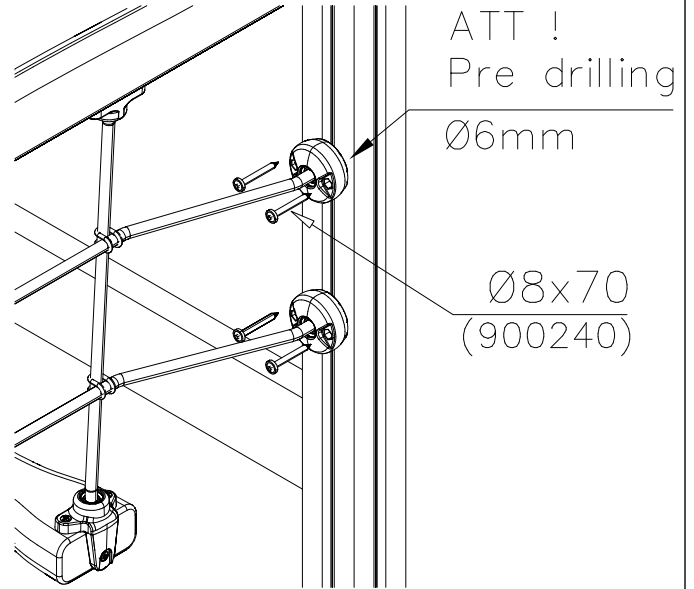
① 705248	PCS	② 905083	PCS
	1		4
		Ø32	
③ 905112	PCS	④ 909232	PCS
	4		4
Ø22		Ø8x120	
⑤ 980151	PCS	⑥ 900240	PCS
	4		16
Ø16/8.4		Ø8x70	
	PCS		PCS



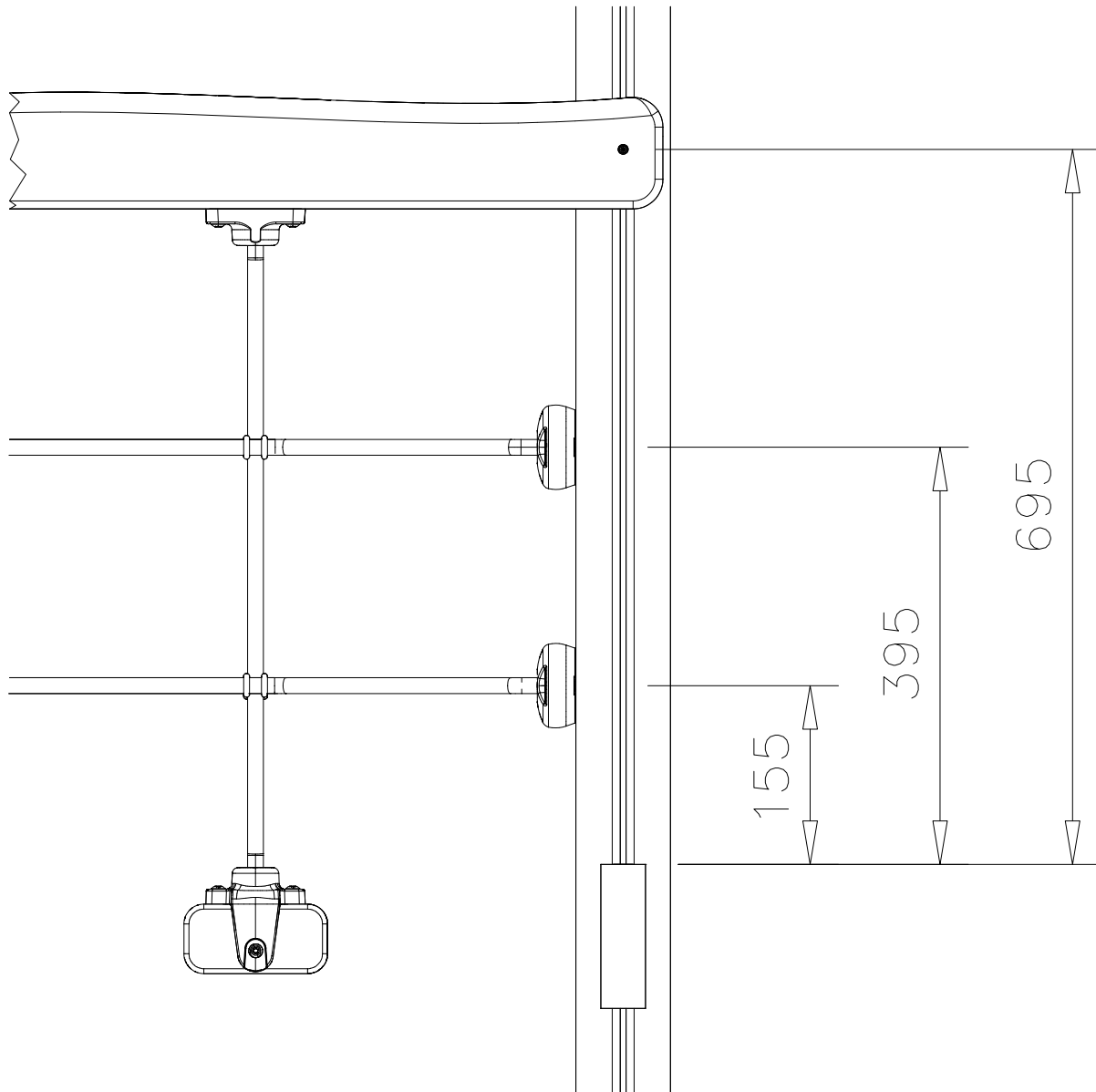
DET 1

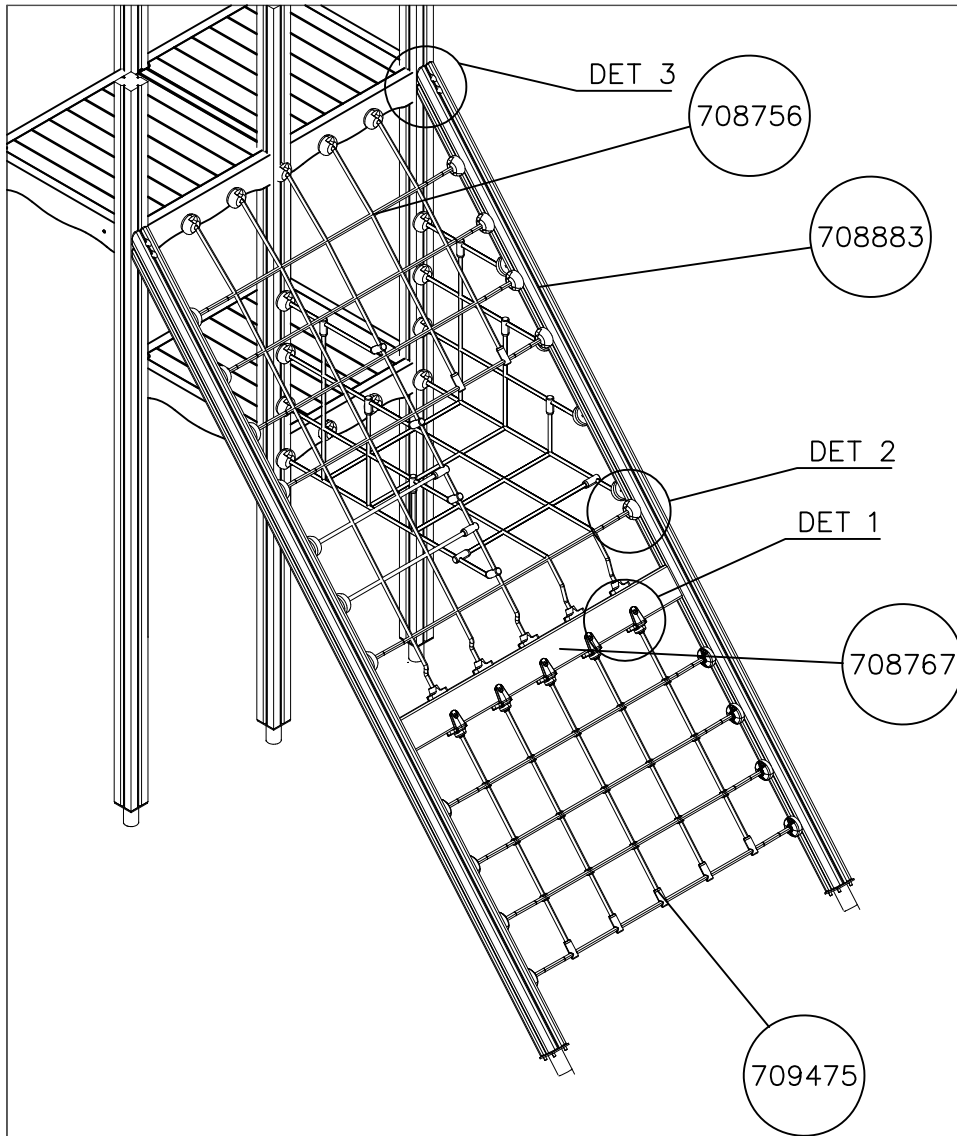





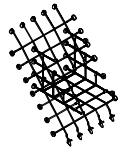
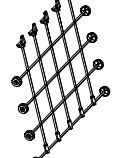


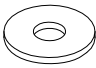
DET 2

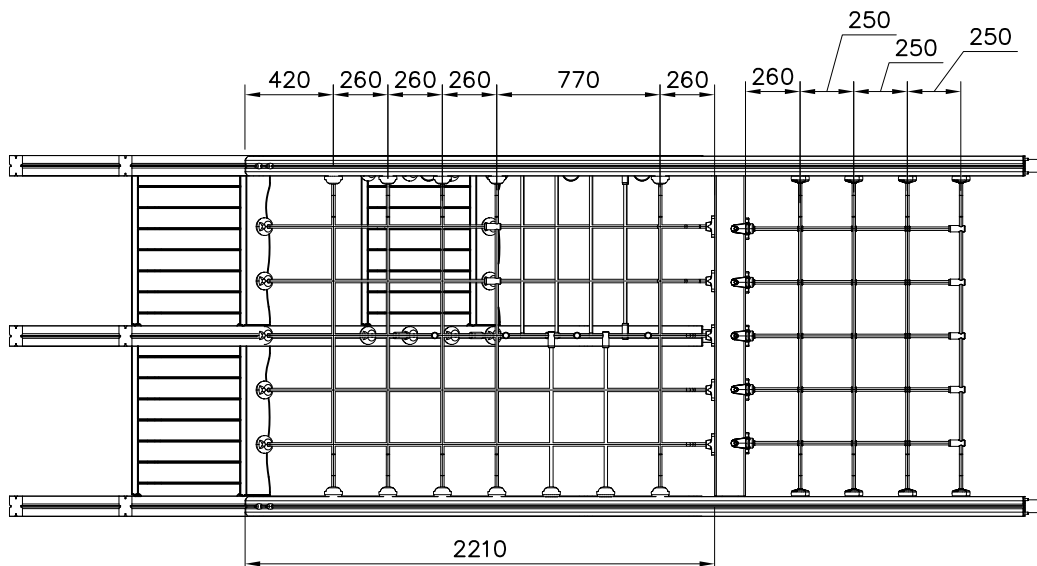


DET 3

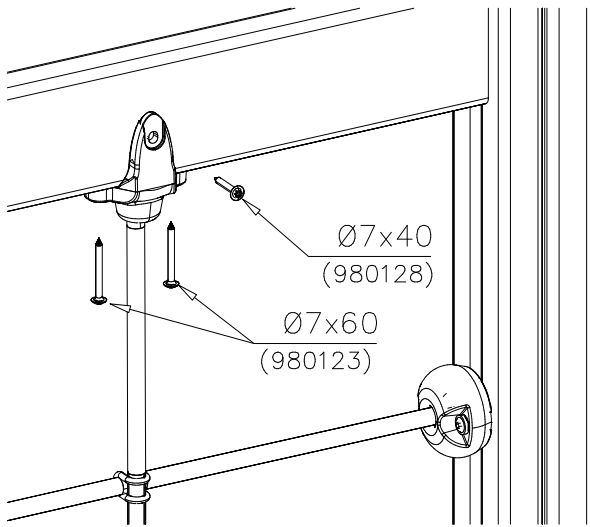




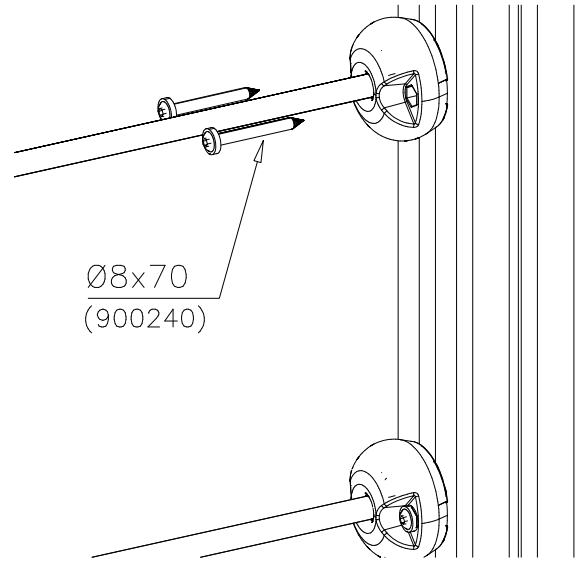
①	980128	PCS	②	980123	PCS
		10			20
	Ø7x40			Ø7x60	
③	900240	PCS			PCS
		78			
	Ø8x70				
○	708756	PCS	○	709475	PCS
		1			1
	2130x1505			1505x1000	
○	909231	PCS	○	909233	PCS
		2			2
	Ø8x130			Ø8x100	
○	905051	PCS			PCS
		2			
	Ø24/8.4				



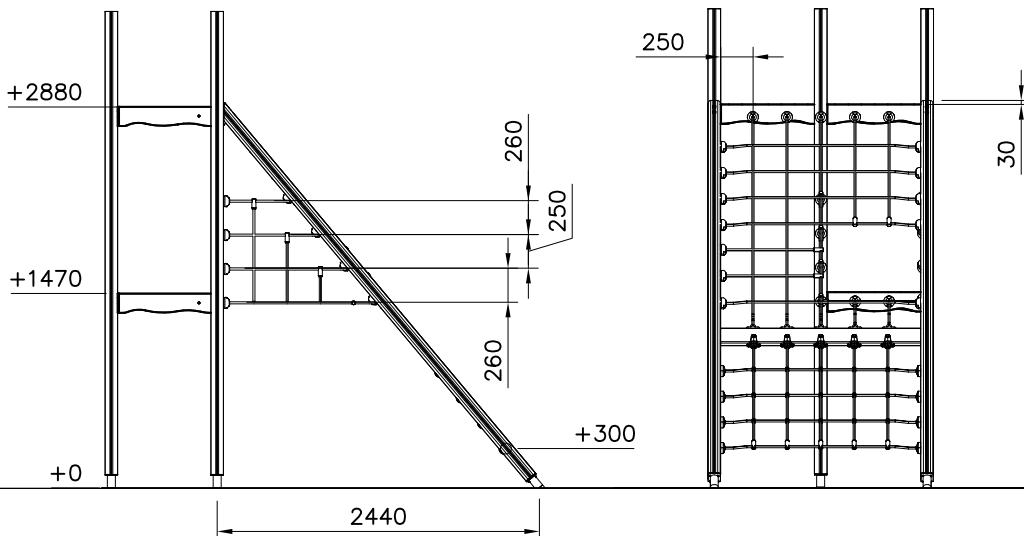
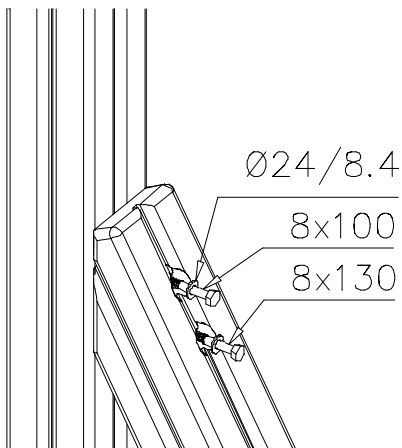
DET 1

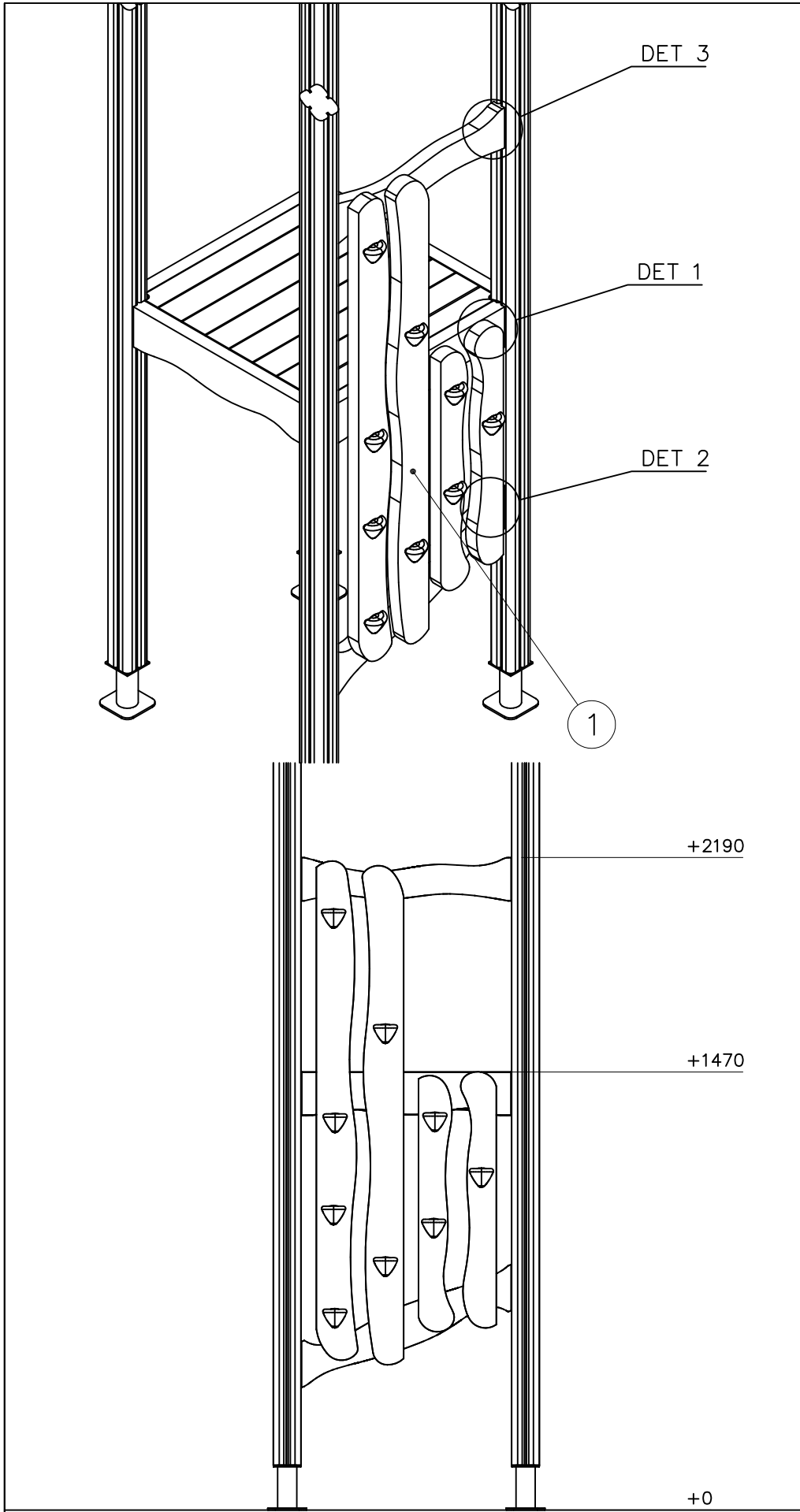


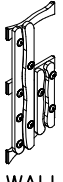
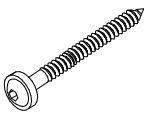
DET 2



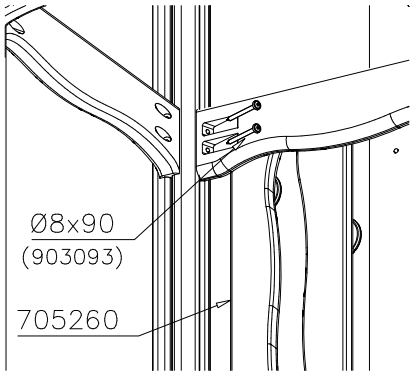
DET 3



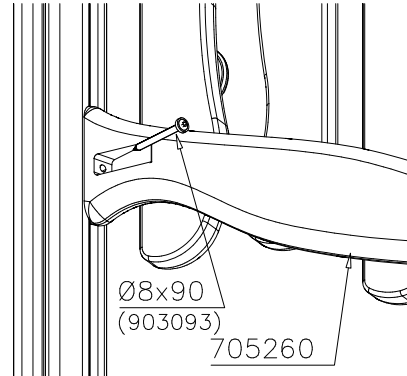


① 705260	PCS	② 903093	PCS
	1		10
WALL		Ø8x90	
	PCS		PCS
	PCS		PCS
	PCS		PCS
	PCS		PCS
	PCS		PCS
	PCS		PCS

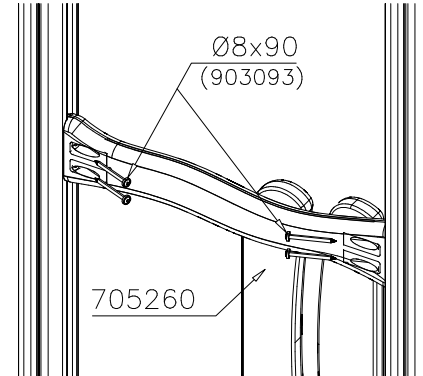
DET 1



DET 2



DET 3



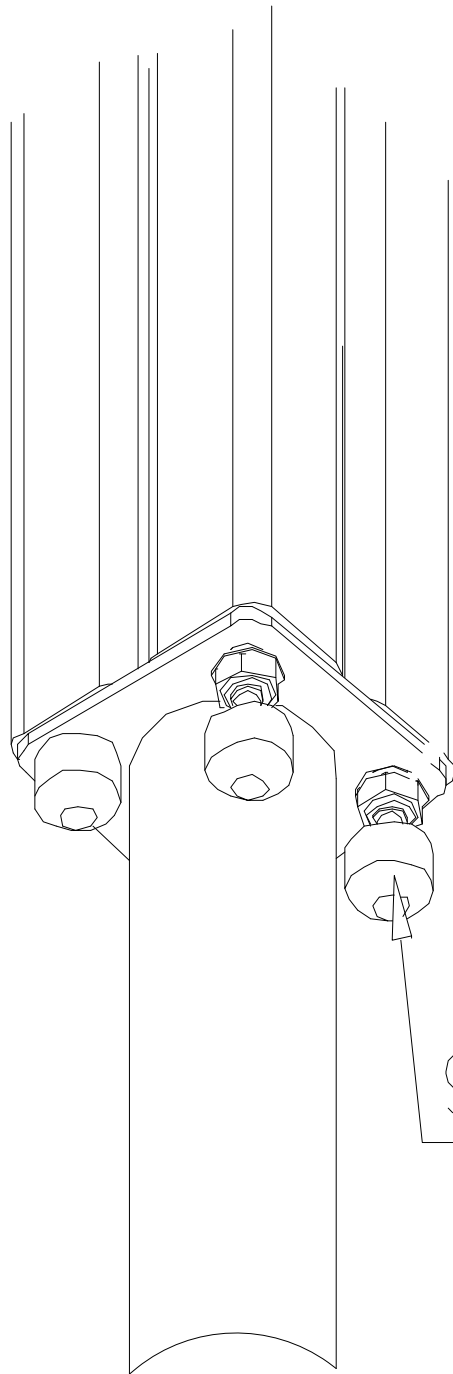
LAPPSET®
BETON FOUNDATION

FOOT

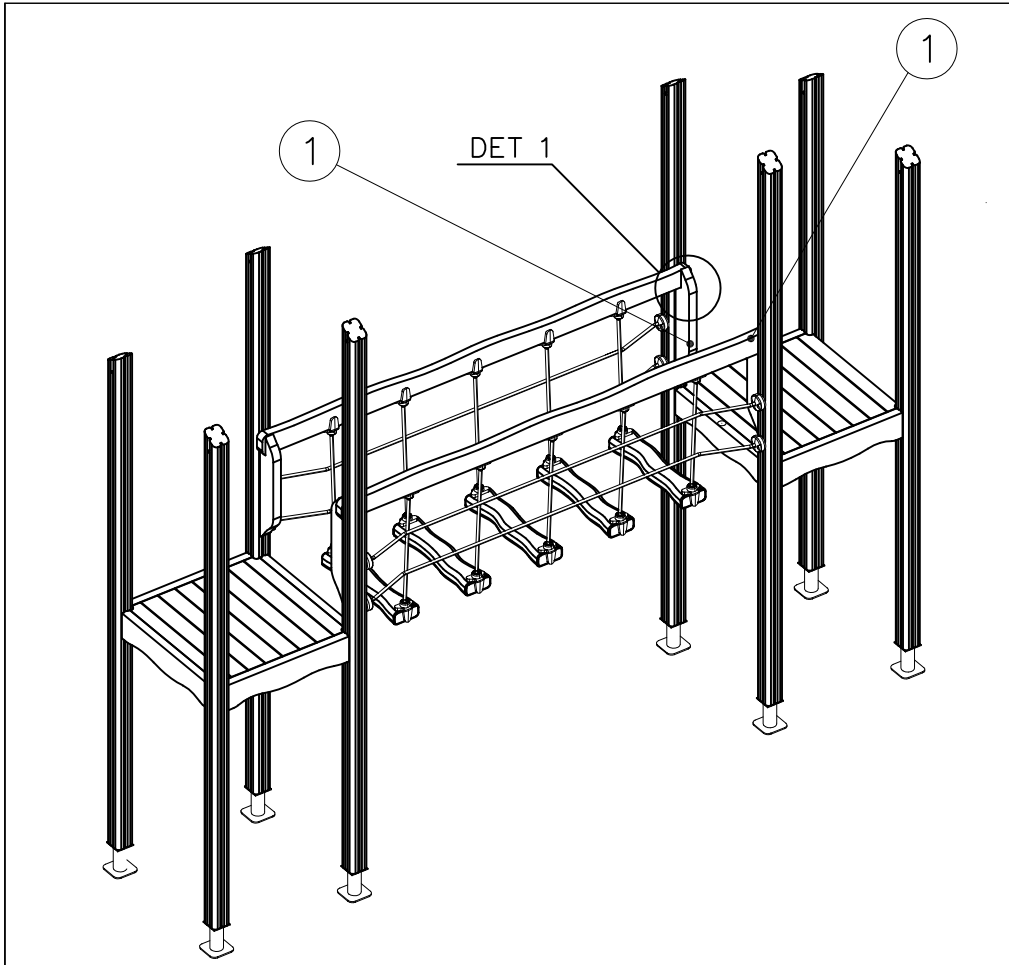
DATE: 27.10.2015

1(1)

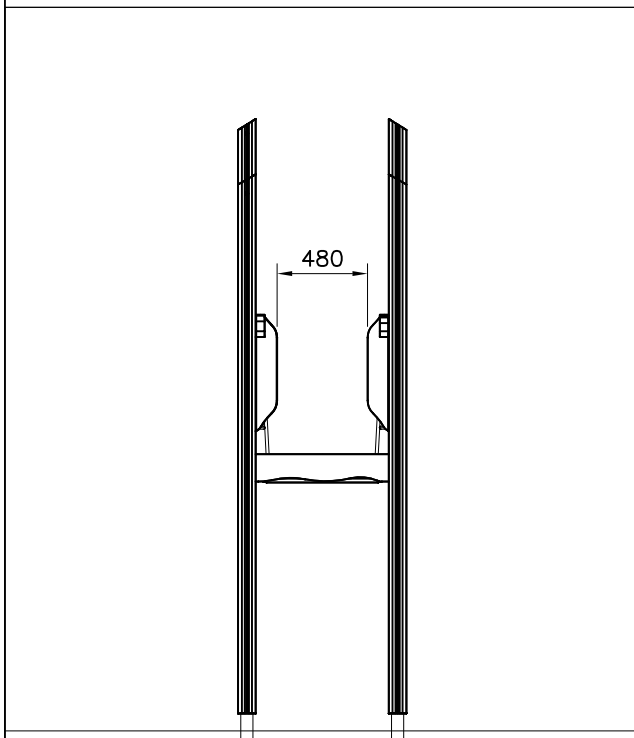
② 905104	PCS		PCS
	4		
 M10	PCS		PCS



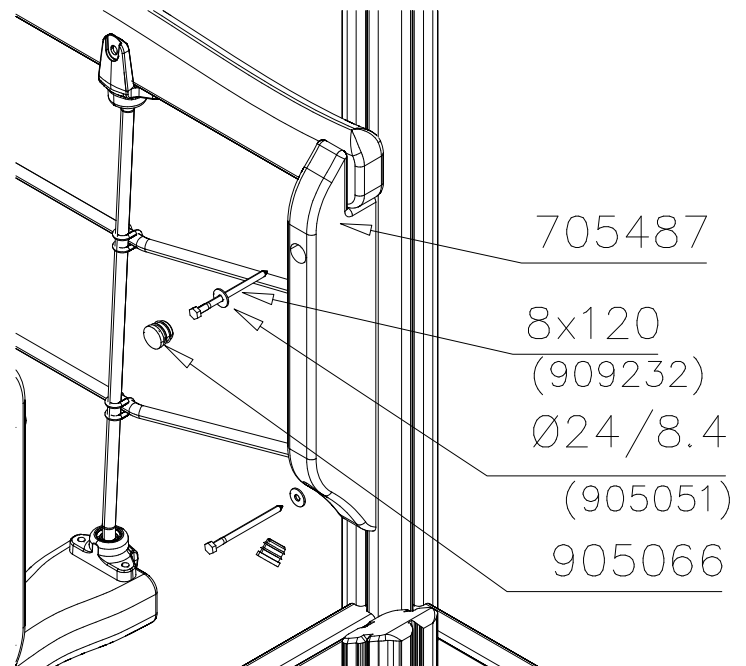
905104

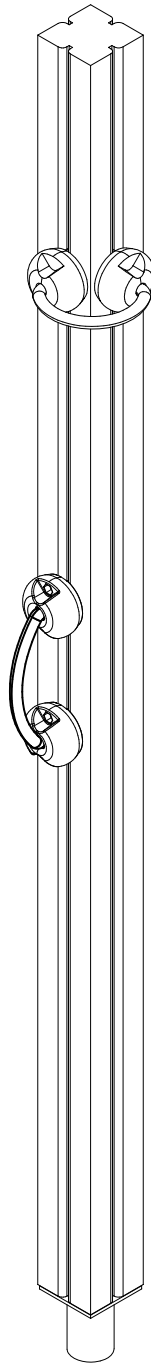


① 705487	PCS	② 905051	PCS
	2		4
45x120x590		Ø24/8.4	
③ 905066	PCS	④ 909232	PCS
	4		4
S30H		8x120	
	PCS		PCS
	PCS		PCS



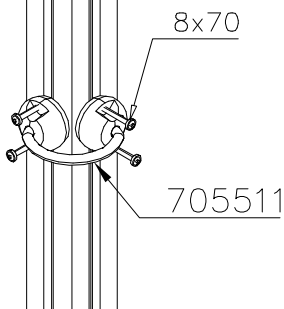
DET 1



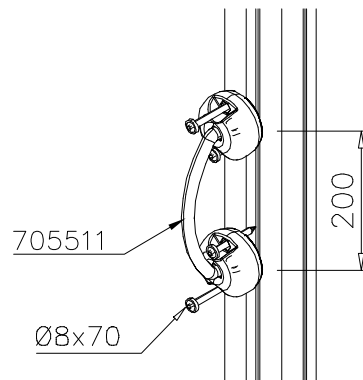


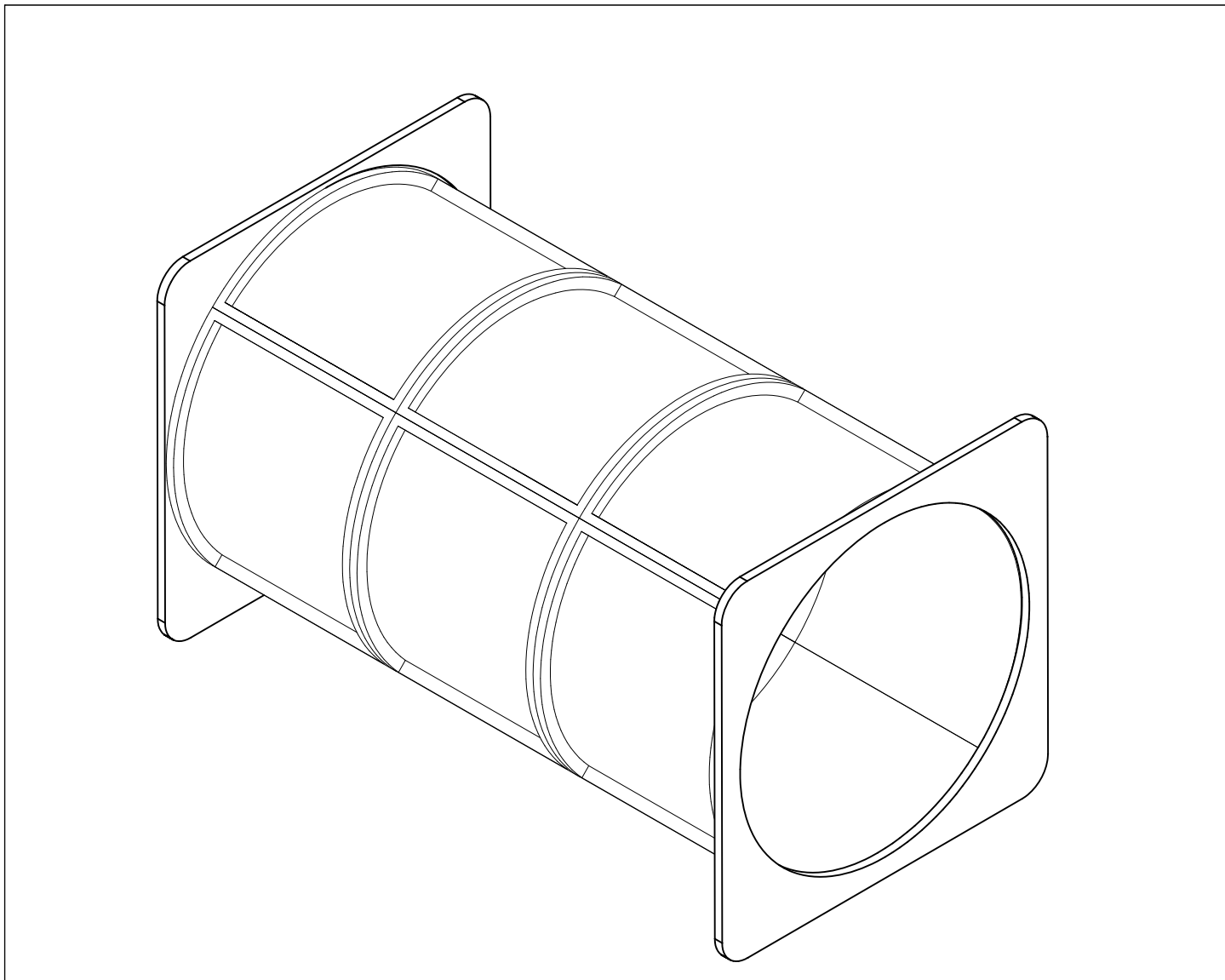
① 705510	PCS	② 900240	PCS
	1		4
		Ø8x70	
	PCS		PCS
	PCS		PCS
	PCS		PCS
	PCS		PCS
	PCS		PCS
	PCS		PCS
	PCS		PCS

DET 1

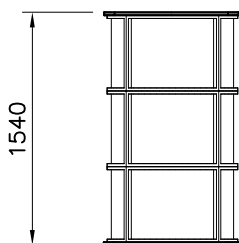


DET 2

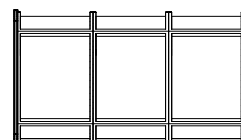


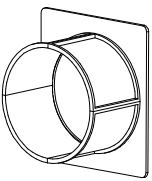
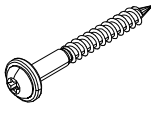
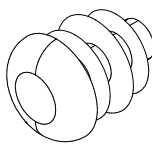
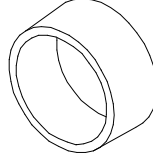
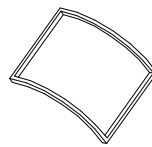


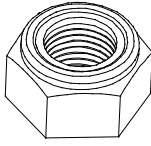


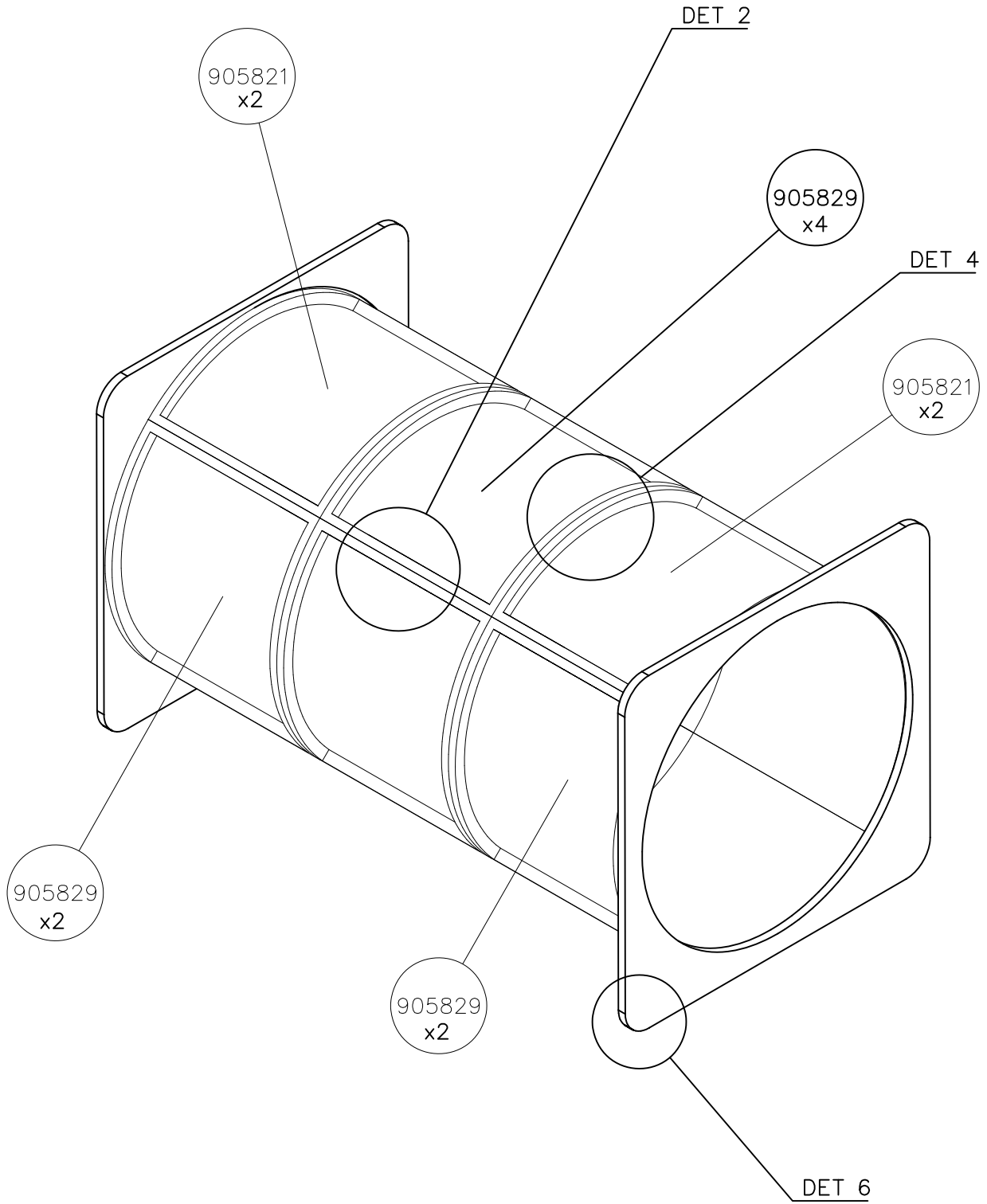
1 : 50



1 : 50



707918-701	PCS 2	900240	PCS 28	903533	PCS 12	905112	PCS 168	905829	PCS 4	905831	PCS 88
											
		Ø8x70		SRL12		BLACK Ø22		TRANSPARENT		BLACK	
909205	PCS 44	980150	PCS 44		PCS		PCS		PCS		PCS
											
8x60		M8									
	PCS		PCS		PCS		PCS		PCS		PCS
	PCS		PCS		PCS		PCS		PCS		PCS
	PCS		PCS		PCS		PCS		PCS		PCS
	PCS		PCS		PCS		PCS		PCS		PCS



DET 1



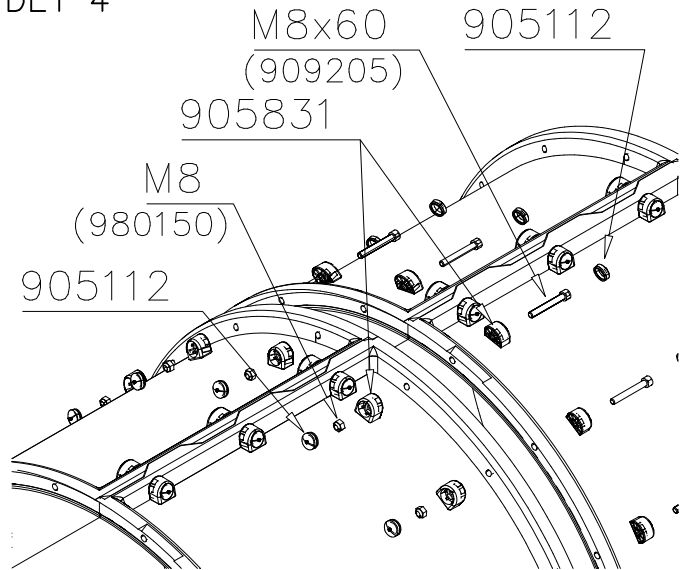
DET 2



DET 3



DET 4

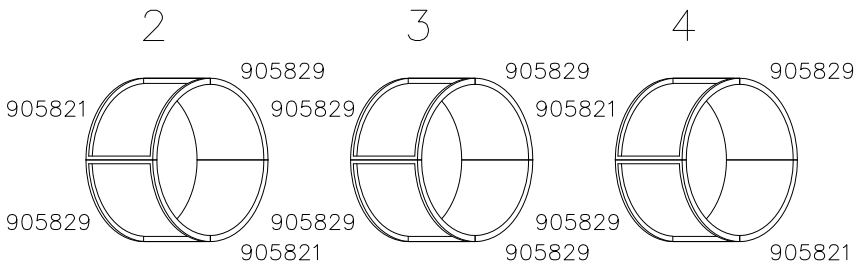


DET 5



DET 6

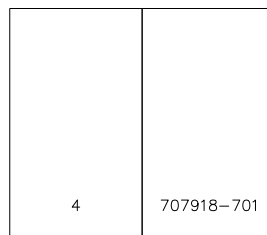
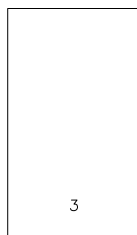
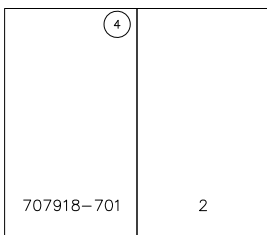
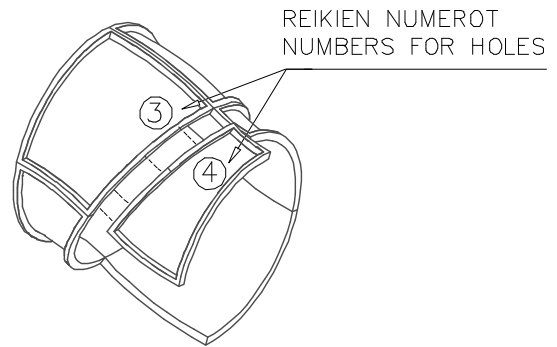




Esimerkki putken kokoamisesta
Example of installation

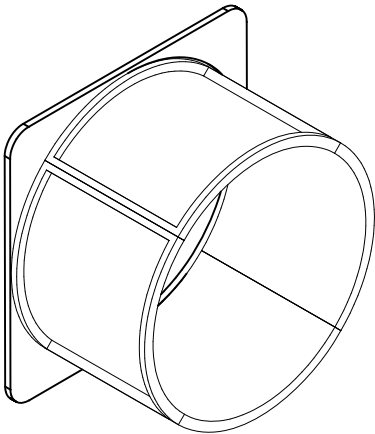
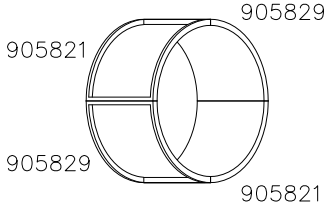
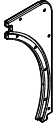





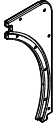





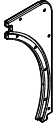





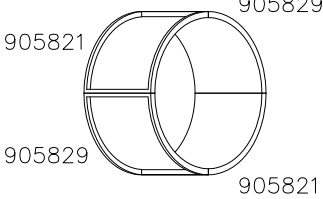












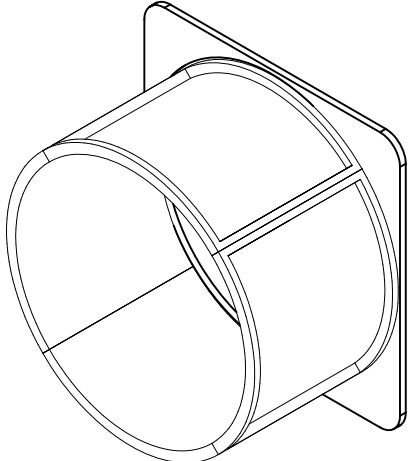






LIUKUPINTAAN EI SAA TULLA
LÄPINÄKYVIÄ MODUULEJA!!

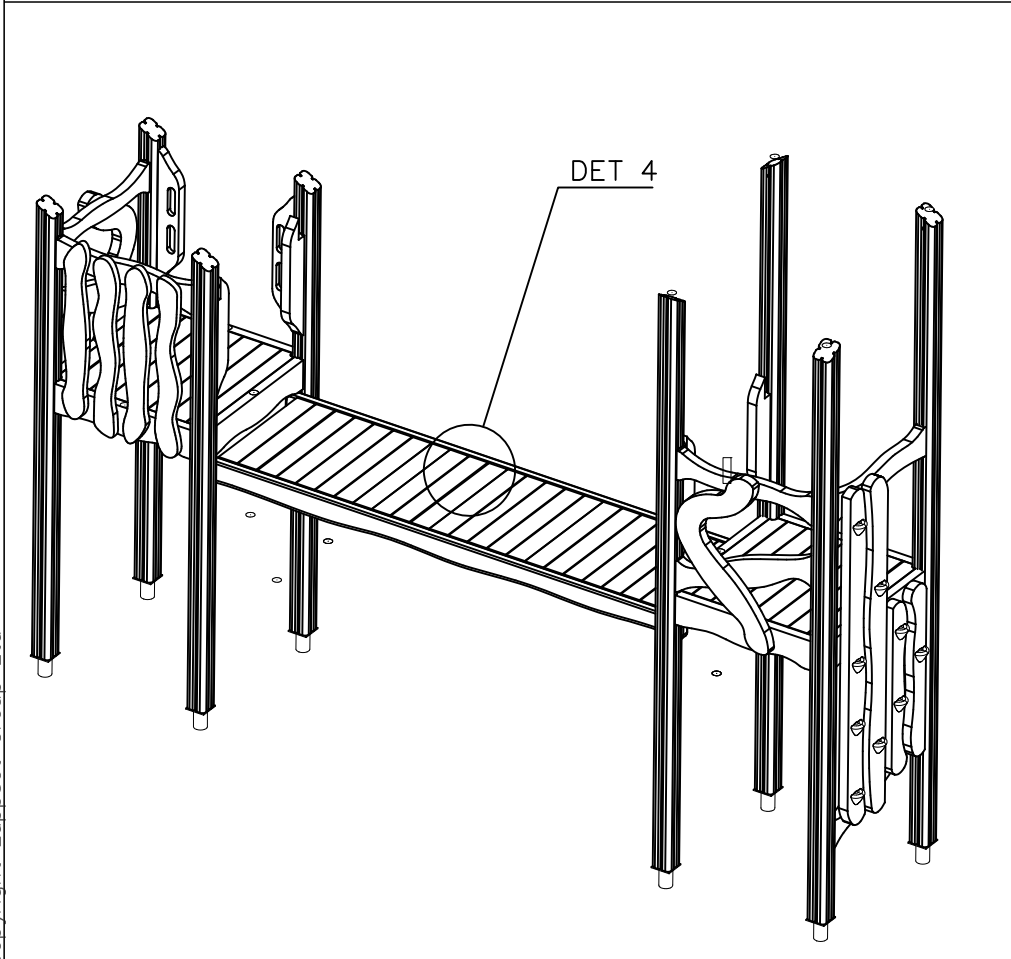
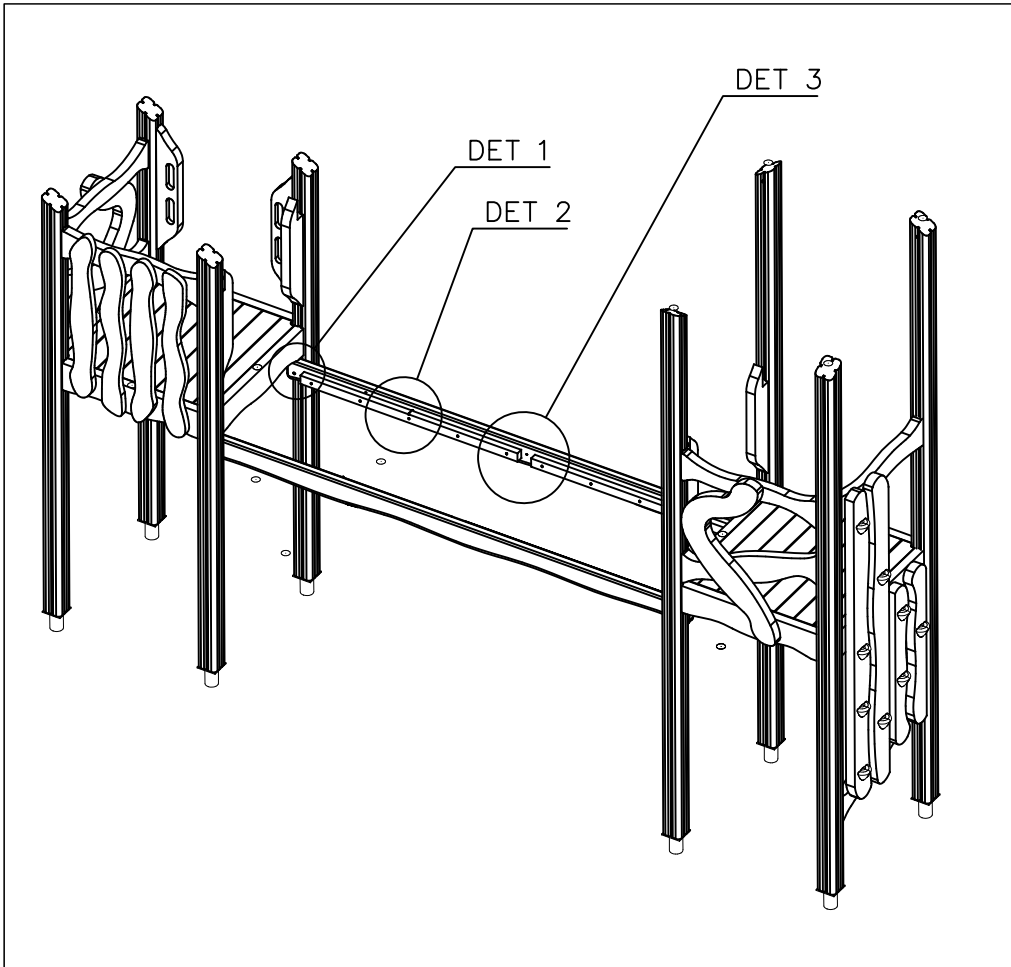
NO TRANSPARENT PIECES ON
SLIDING SURFACE!!

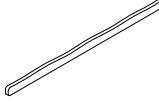
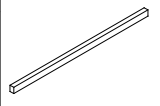
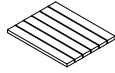
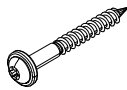
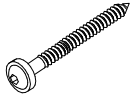


Valmiiksi kasattujen osien osakokoonpanot ja vara-osa listat.

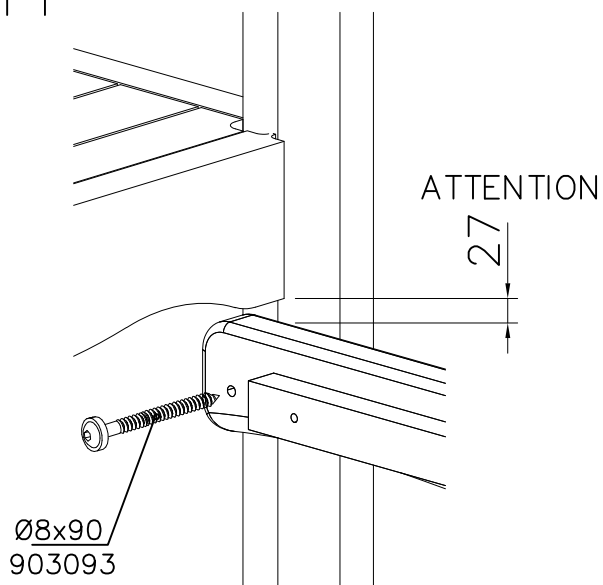
Ready installed component subassemblies and spare part list.

	<p style="text-align: center;">2</p>  <table border="1" data-bbox="895 931 1469 1310"> <tr> <td>707918-701</td> <td>909205 x 12</td> <td>980150 x 12</td> </tr> <tr> <td></td> <td></td> <td></td> </tr> <tr> <td>905831 x 40</td> <td>909208 x 16</td> <td>909119 x 16</td> </tr> <tr> <td></td> <td></td> <td></td> </tr> </table>			707918-701	909205 x 12	980150 x 12				905831 x 40	909208 x 16	909119 x 16			
707918-701	909205 x 12	980150 x 12													
															
905831 x 40	909208 x 16	909119 x 16													
															
<p style="text-align: center;">4</p>  <table border="1" data-bbox="172 1727 746 2101"> <tr> <td>909205 x 12</td> <td>980150 x 12</td> <td>905831 x 40</td> </tr> <tr> <td></td> <td></td> <td></td> </tr> <tr> <td>707918-701</td> <td>909119 x 16</td> <td>909208 x 16</td> </tr> <tr> <td></td> <td></td> <td></td> </tr> </table>	909205 x 12	980150 x 12	905831 x 40				707918-701	909119 x 16	909208 x 16						
909205 x 12	980150 x 12	905831 x 40													
															
707918-701	909119 x 16	909208 x 16													
															

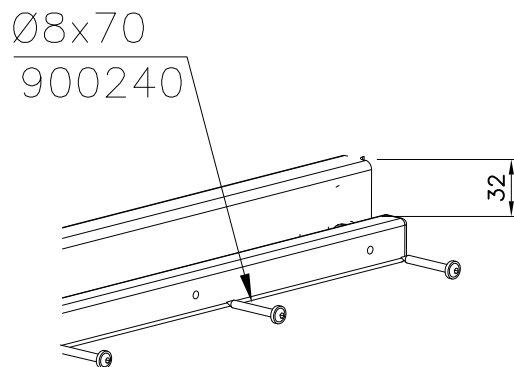


① 705222	PCS	② 708553	PCS
	2		4
45x113x2480		32x45x1120	
③ P13294	PCS	④ 980101	PCS
	3		20
613 x 788		Ø4.5x70	
⑤ 900240	PCS	⑥ 903093	PCS
	20		4
Ø8x70		Ø8x90	
	PCS		PCS
	PCS		PCS
	PCS		PCS
	PCS		PCS

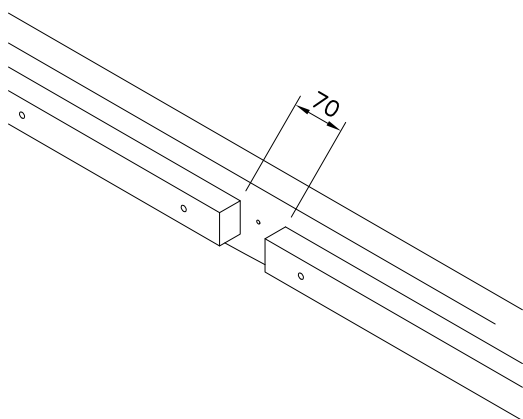
DET 1



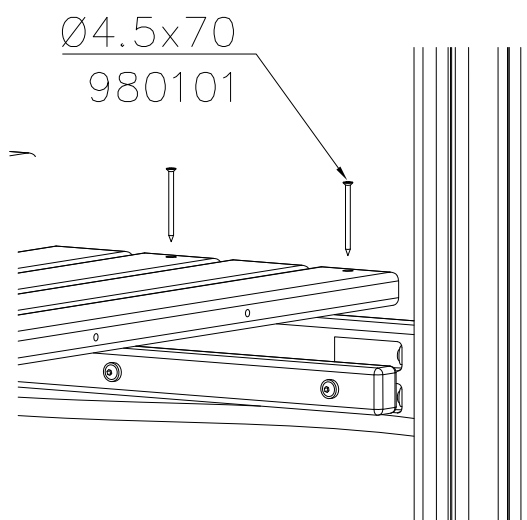
DET 2



DET 3

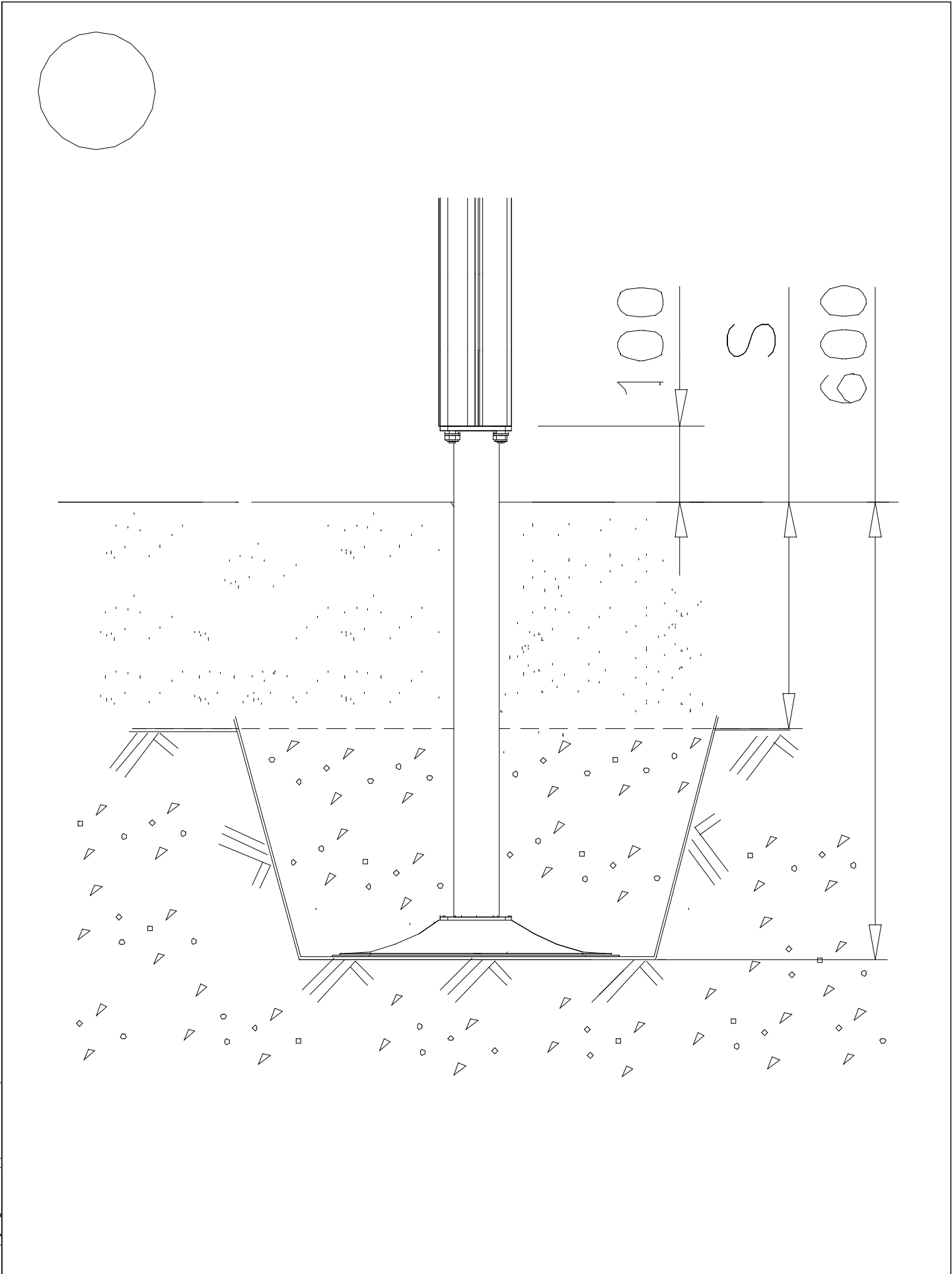


DET 4



DET 5

DET 6



LAPPSET® DEEP FOUNDATION

FOOT

DATE: 15.5.2018

1(1)



①	909511	PCS	②	909519	PCS
		1			1
	90x90x650			50x380x380	

③	909637	PCS	④	909638	PCS
		4			8
	M10			Ø20/10.5	

⑤	909639	PCS	⑥	905104	PCS
		4			4
	M10x25			M10	

OPTION FOOT

①	911155	PCS			PCS
		1			
	90x90x650				

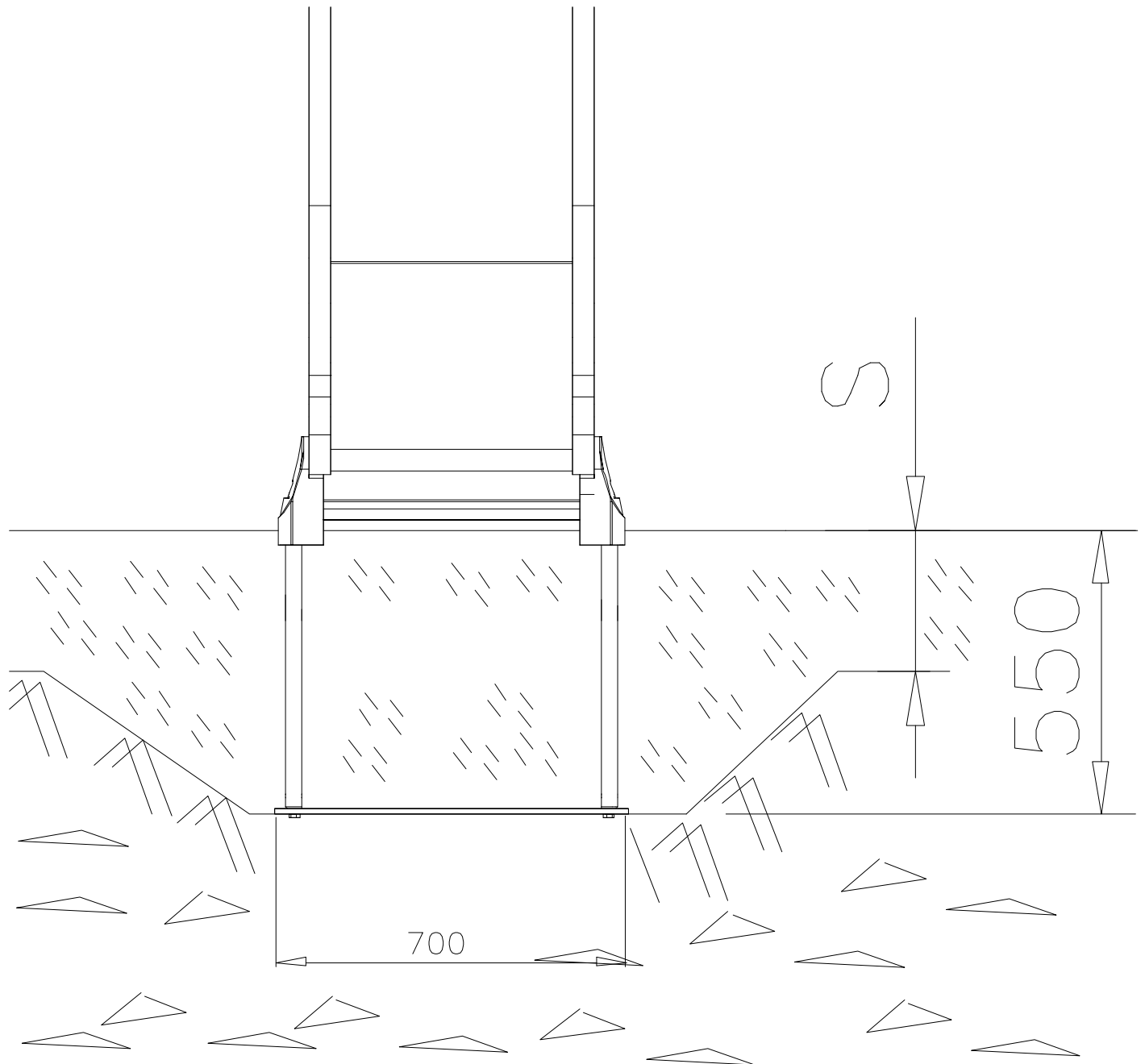
LAPPSET

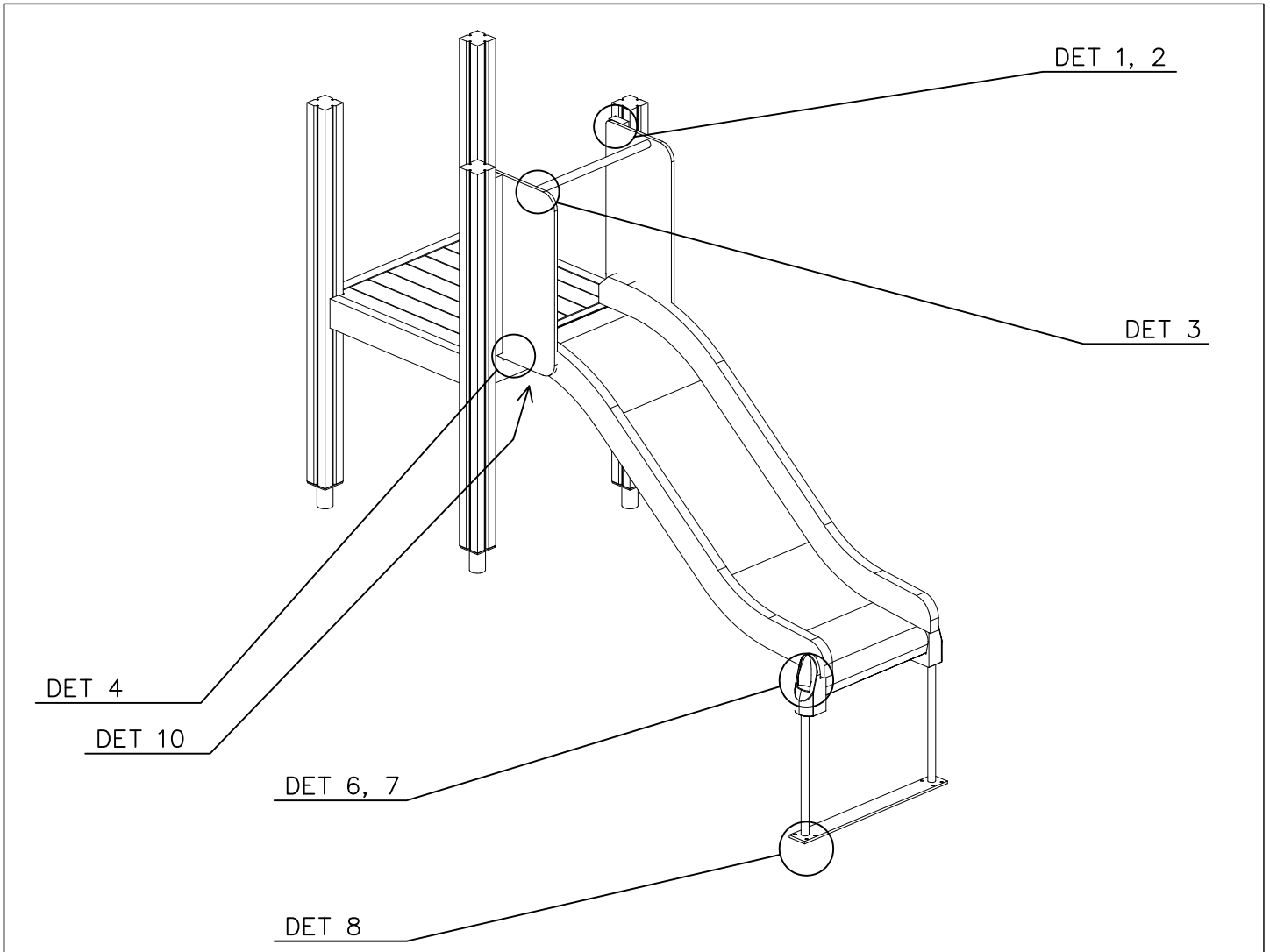
DEEP FOUNDATION

SLIDE WOOD

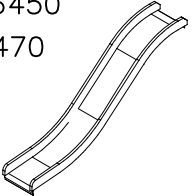
DATE: 22.5.2015

1(1)

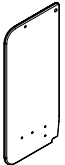



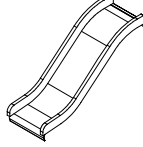


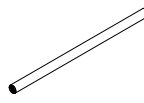
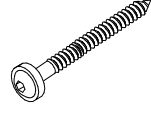
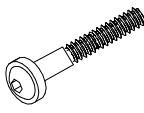
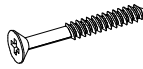




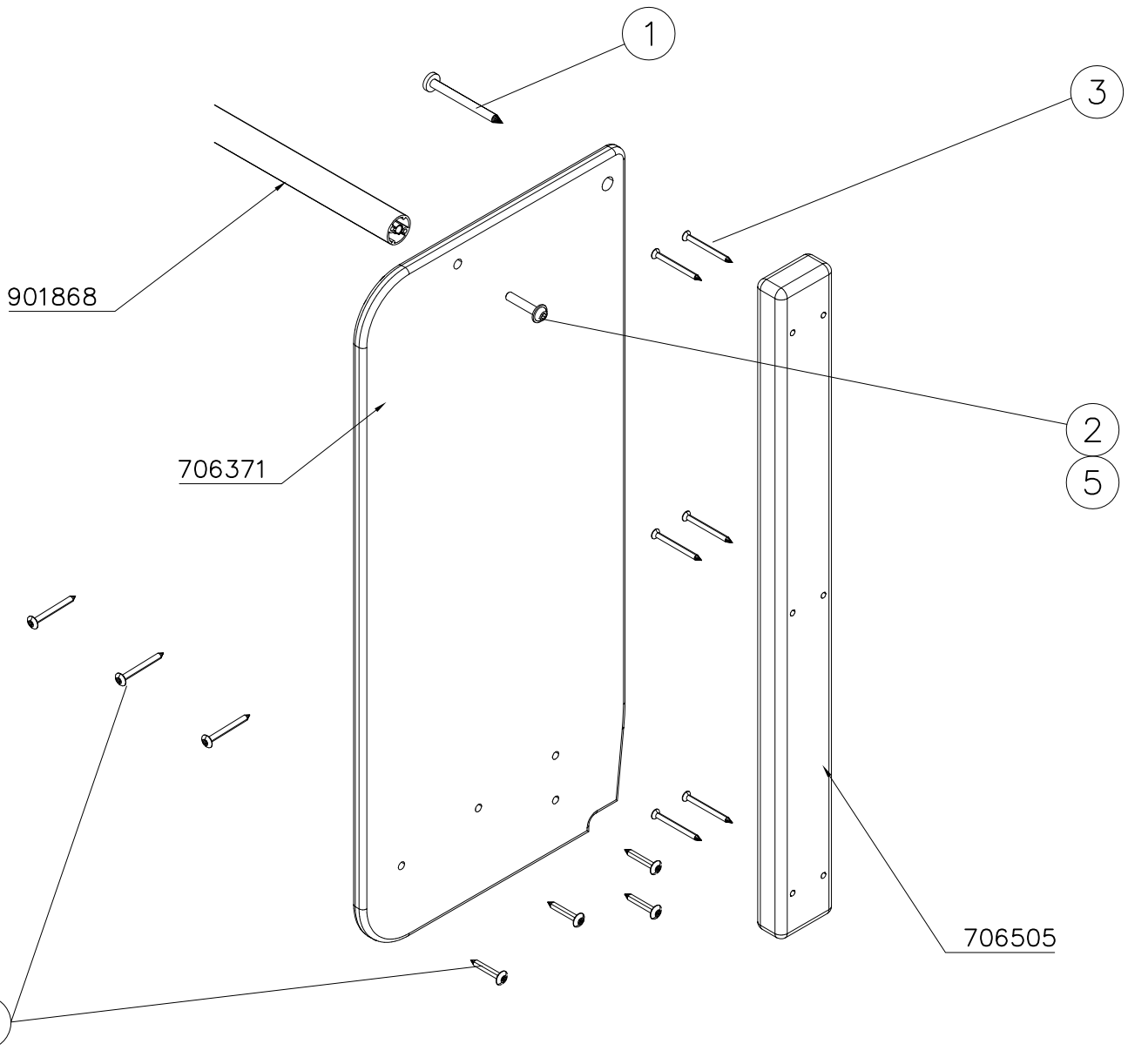
SLIDE OPTIONS

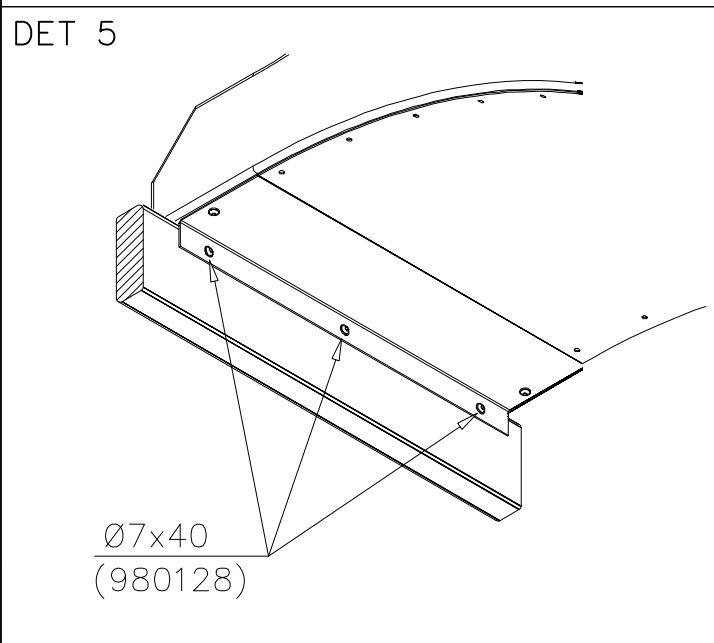
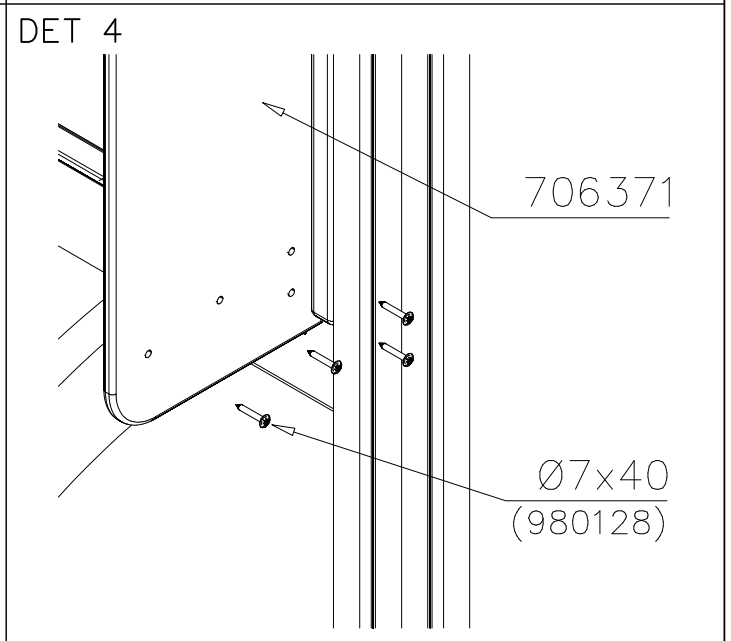
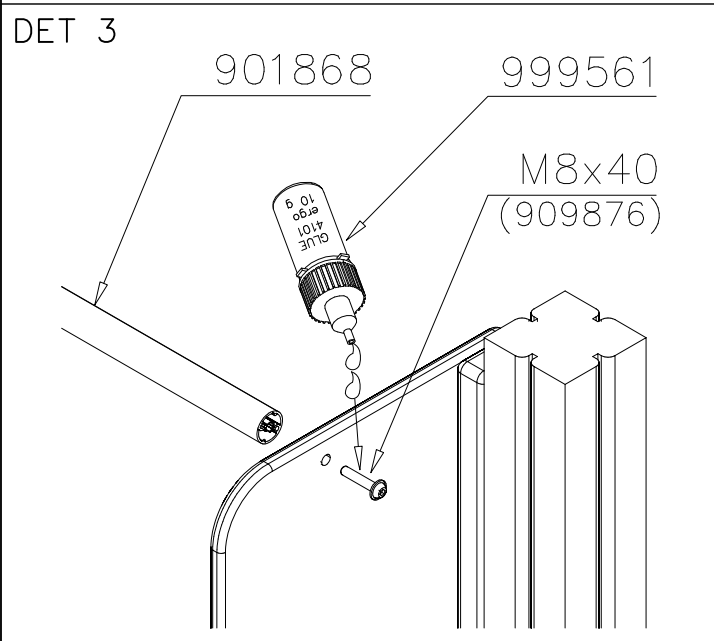
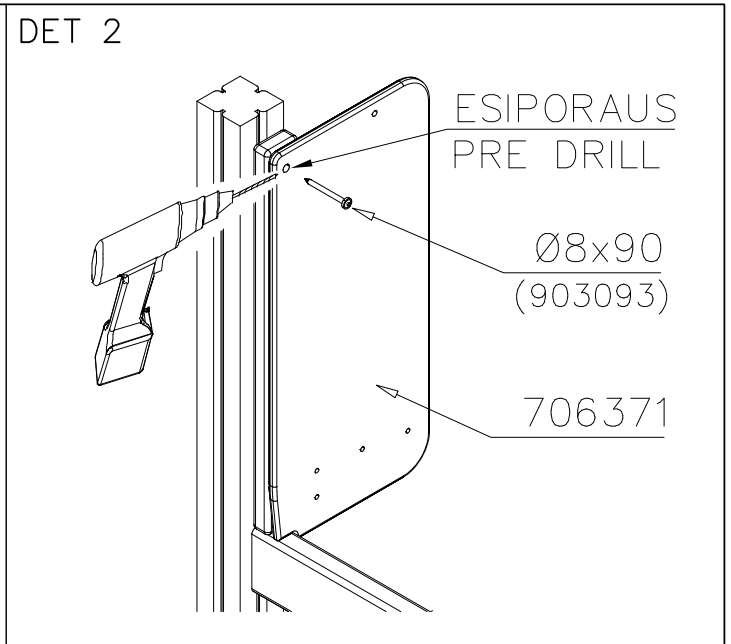
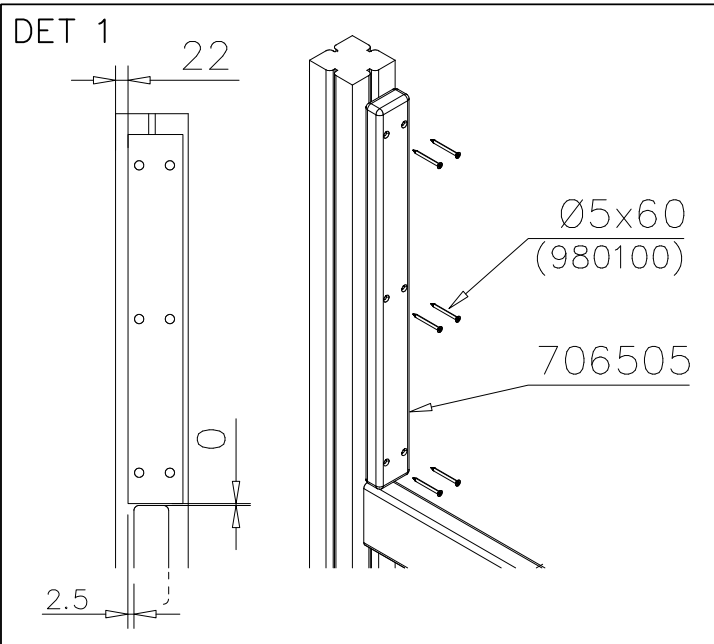
<p>706450 +1470</p> 	<p>706450-602 DARK BROWN 706450-603 LIGHT BROWN 706450-604 LIGHT GRAY</p>	
<p>706452 +870</p> 	<p>706452-602 DARK BROWN 706452-603 LIGHT BROWN 706452-604 LIGHT GRAY</p>	

WALL OPTIONS

<p>706371</p> 	<p>706371-701 BLUE 706371-702 YELLOW 706371-703 LIME 706371-704 DRARK GRAY 706371-705 LIGHT GRAY 706371-706 RED</p>	<p>706371-707 GREEN 706371-708 FUXIA</p>
---	--	---

○ SLIDE	PCS	○ SLIDE	PCS	○ 706371	PCS	○ 706505	PCS	○ 901868	PCS	① 903093	PCS
	1		1		2		2		1		2
+1470		+870		15x345x750		35x70x730		Ø34x598		Ø8x90	
② 909876	PCS	③ 980100	PCS	④ 980128	PCS	⑤ 999561	PCS				
	2		12		11		1				
M8x40		Ø5x60		Ø7x40		10g					





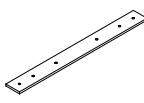
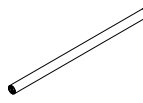

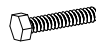
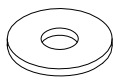
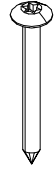
LAPPSET

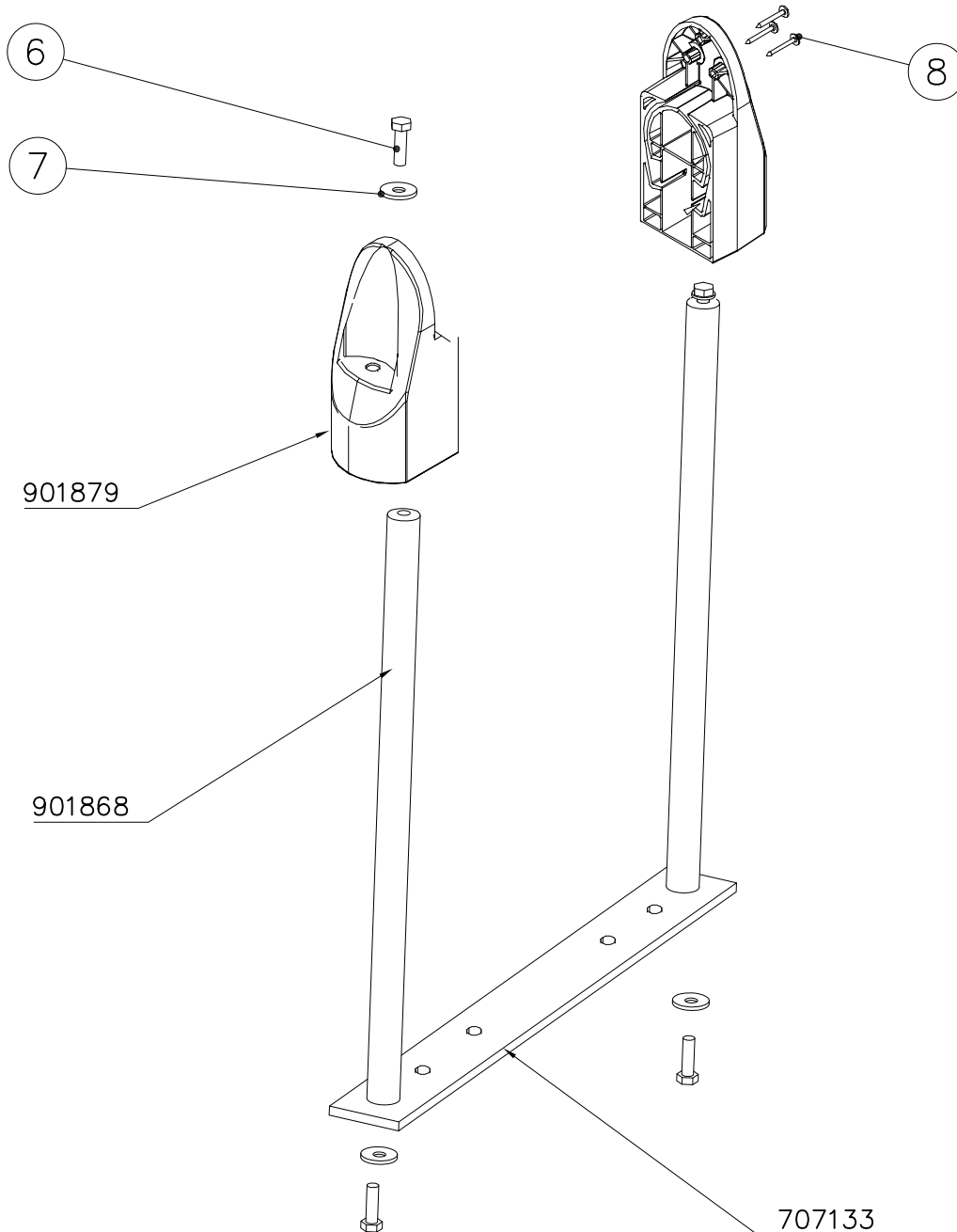
DEEP FOUNDATION

SLIDE WOOD

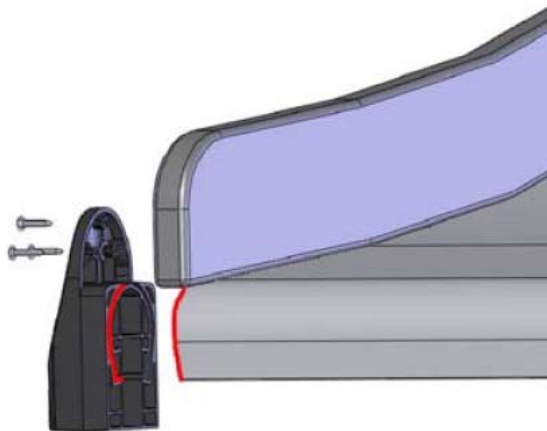
DATE: 3.11.2017

4(5)

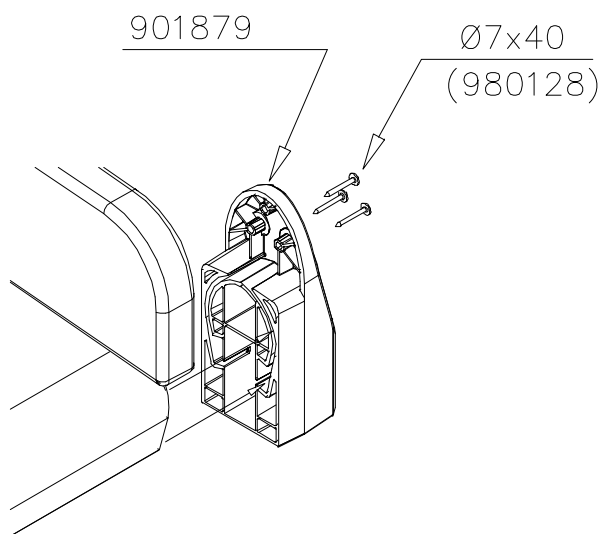
○ 707133	PCS	○ 901868	PCS	○ 901879	PCS	⑥ 909210	PCS	⑦ 905051	PCS	⑧ 980128	PCS
	1		2		2		4		4		6
10x80x745		Ø30x598				M8x40		Ø24/8.4		Ø7x40	



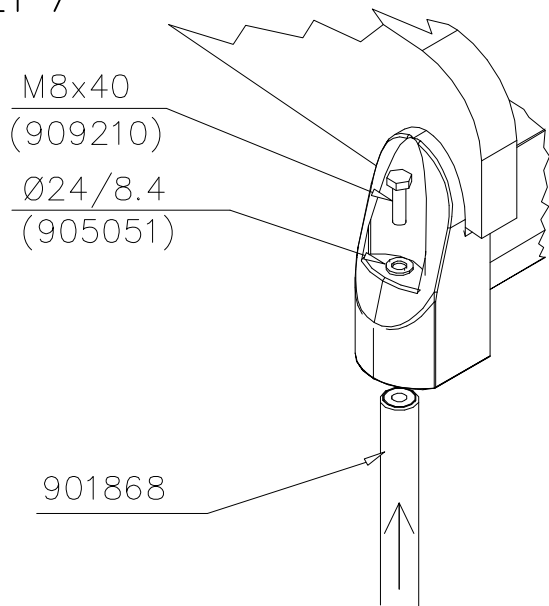
DET 6



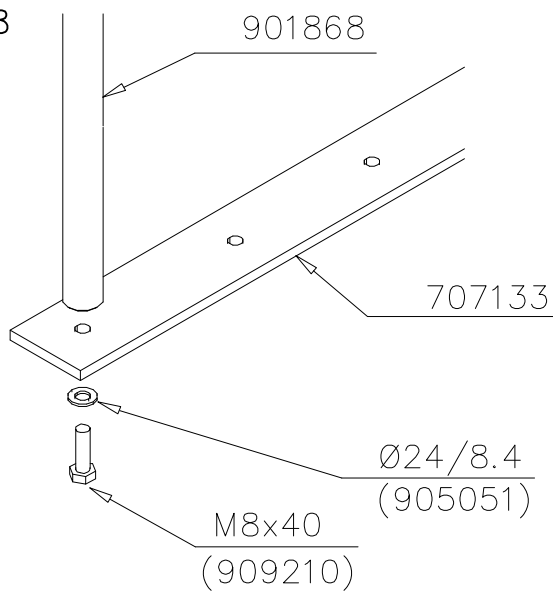
Insert sheet metal IN to the plastic cover.



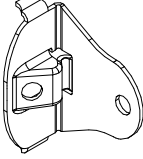
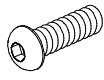
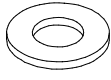
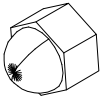

DET 7



DET 8

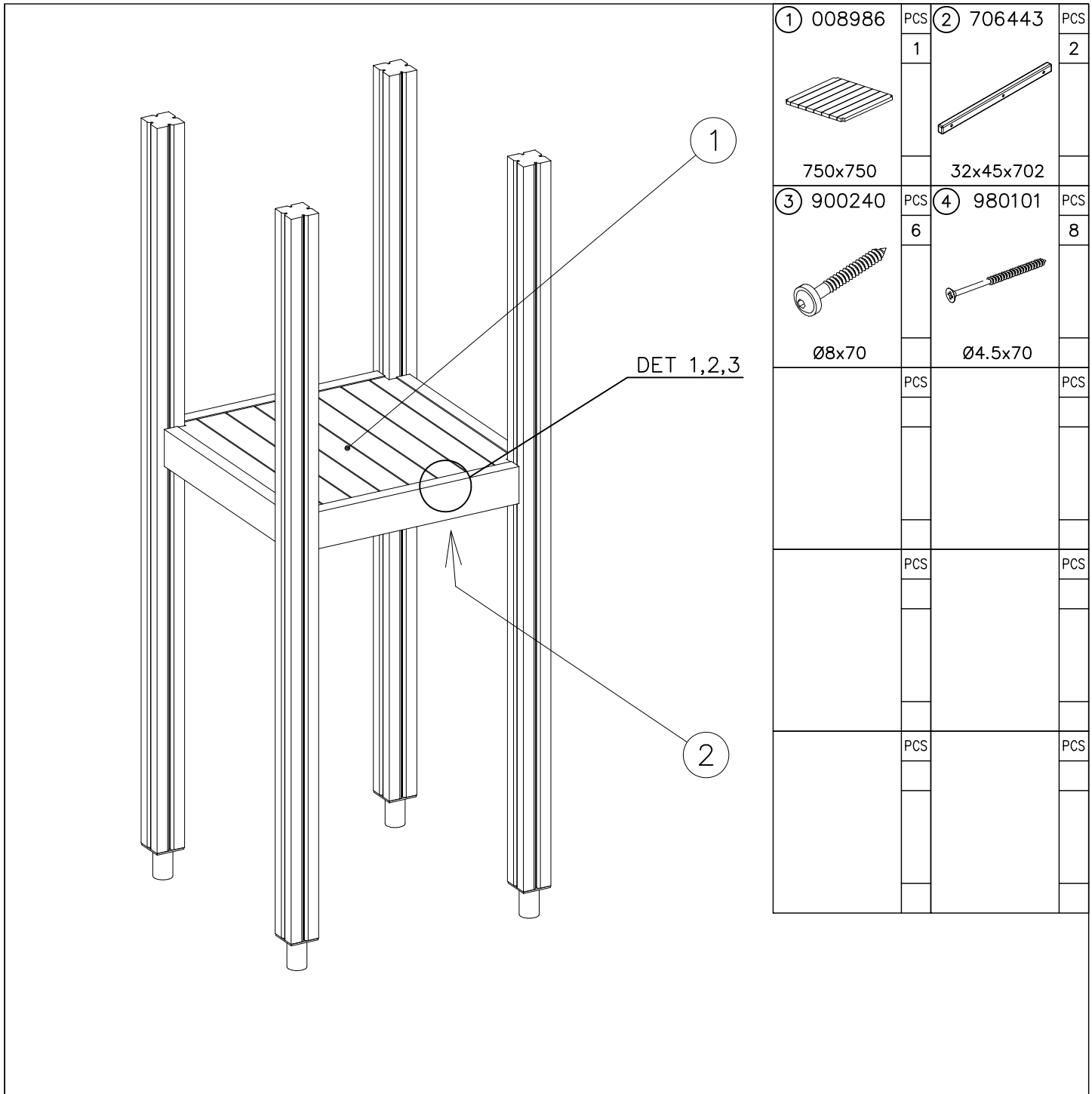


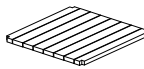
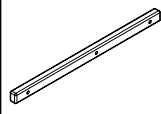
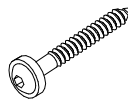



① 903176	PCS	② 909850	PCS
	4		4
		M8x25	
③ 909256	PCS	④ 909633	PCS
	8		4
Ø16/8.4x1.6		M8	
⑤ 980123	PCS		PCS
	4		
Ø7x60			
	PCS		PCS

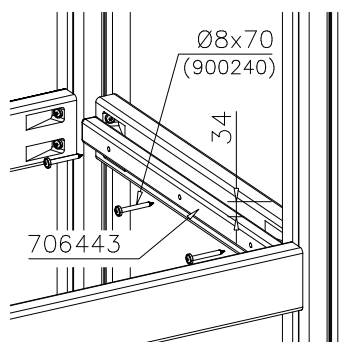






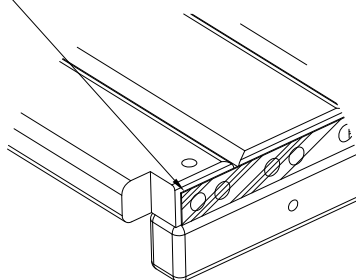
① 008986	PCS	② 706443	PCS
	1		2
750x750		32x45x702	
③ 900240	PCS	④ 980101	PCS
	6		8
Ø8x70		Ø4.5x70	
	PCS		PCS
	PCS		PCS
	PCS		PCS

DET 1

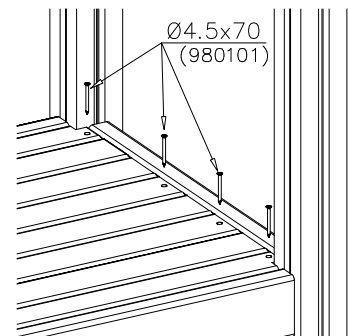


DET 2

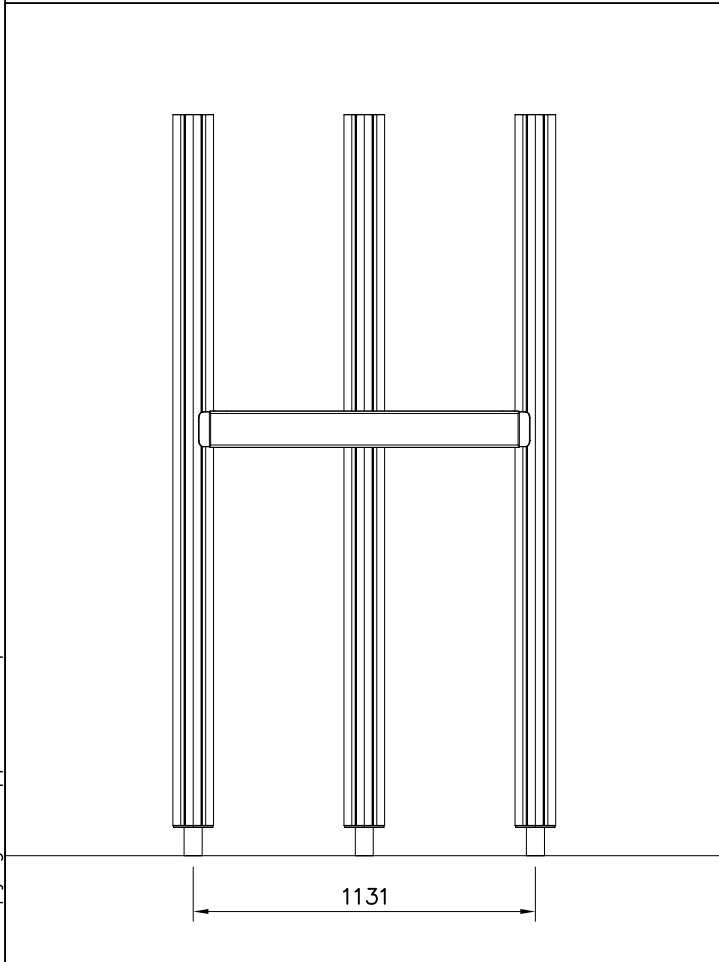
Naulanauha kannatinlistan puolelle.
Nail list to the bottom.



DET 3

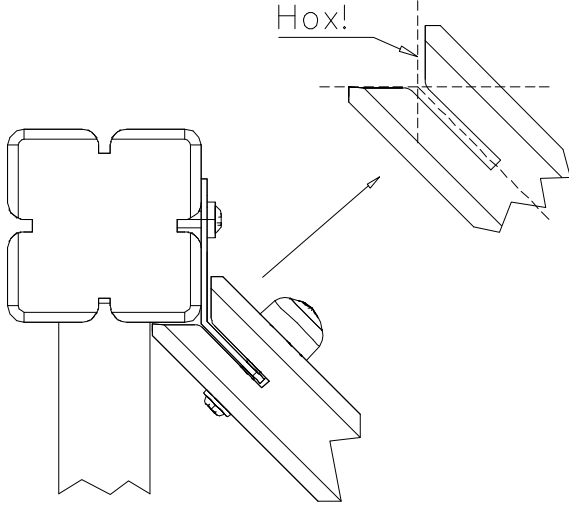




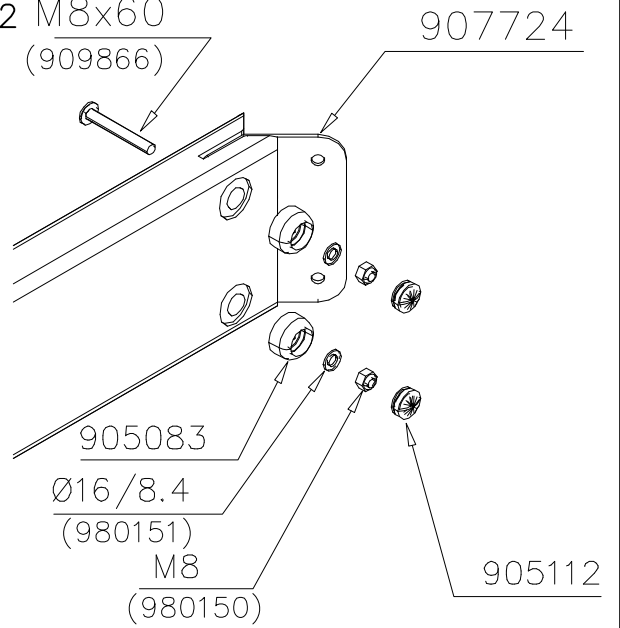


BOOM OPTIONS		
706510	706510-602	DARK BROWN
	706510-603	LIGHT BROWN
45x120x1030	706510-604	LIGHT GRAY

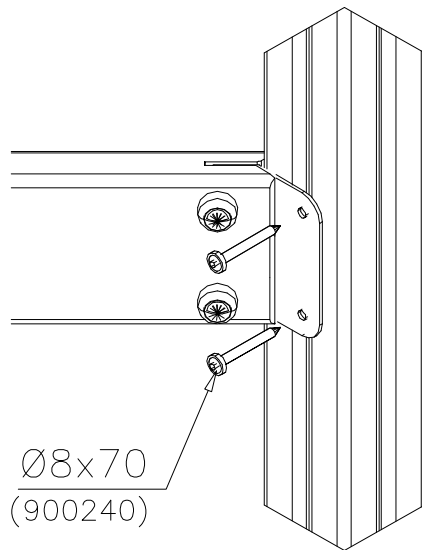
DET 1

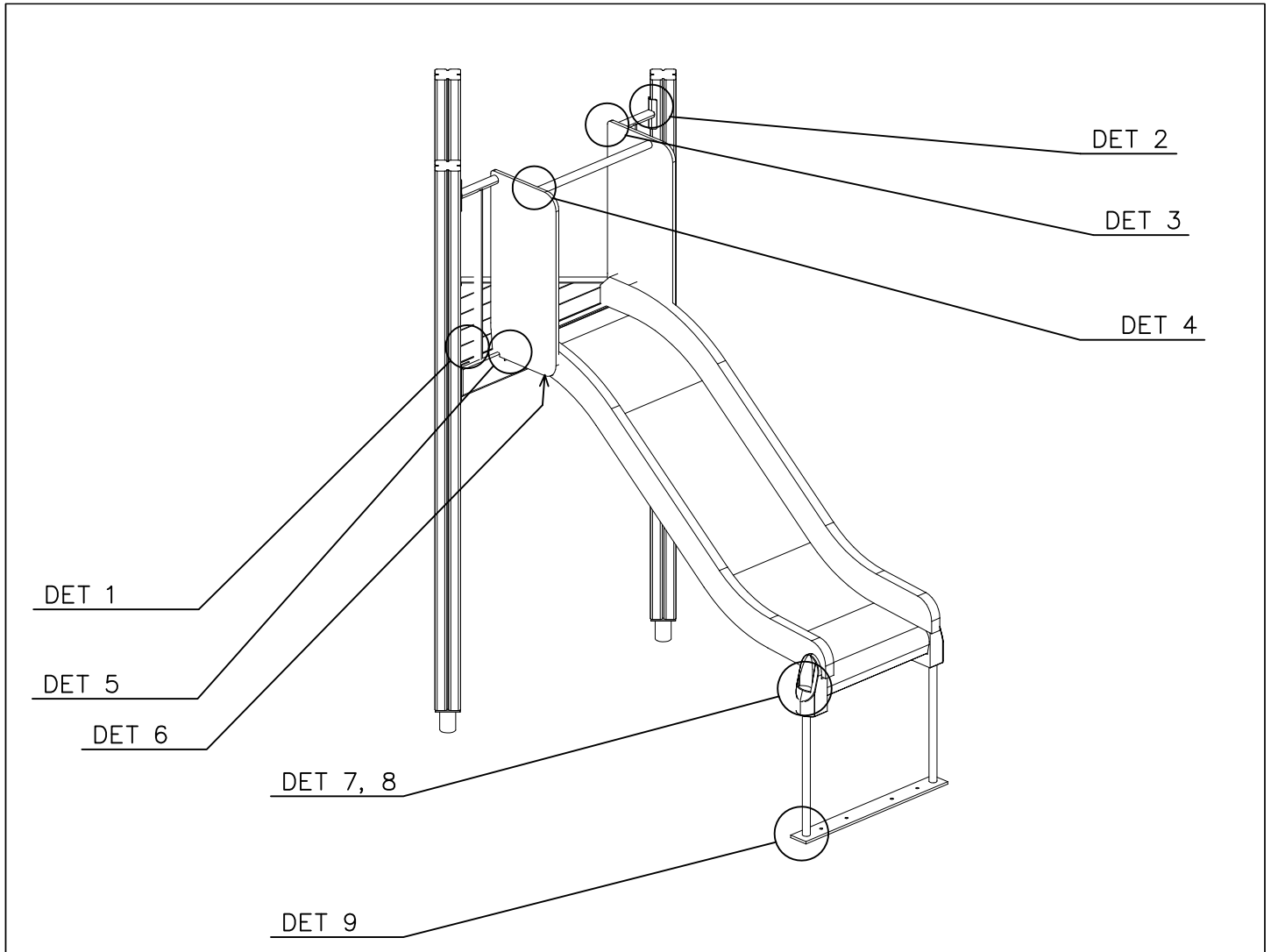


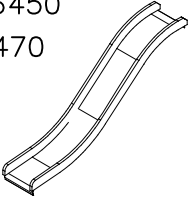
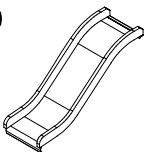
DET 2 M8x60
(909866)

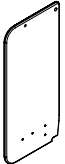


DET 3





SLIDE OPTIONS			
706450 +1470 	706450-602 706450-603 706450-604	DARK BROWN LIGHT BROWN LIGHT GRAY	
706452 +870 	706452-602 706452-603 706452-604	DARK BROWN LIGHT BROWN LIGHT GRAY	

WALL OPTIONS			
706371 	706371-701 706371-702 706371-703 706371-704 706371-705 706371-706	BLUE YELLOW LIME DRARK GRAY LIGHT GRAY RED	706371-707 706371-708 GREEN FUXIA

LAPPSET

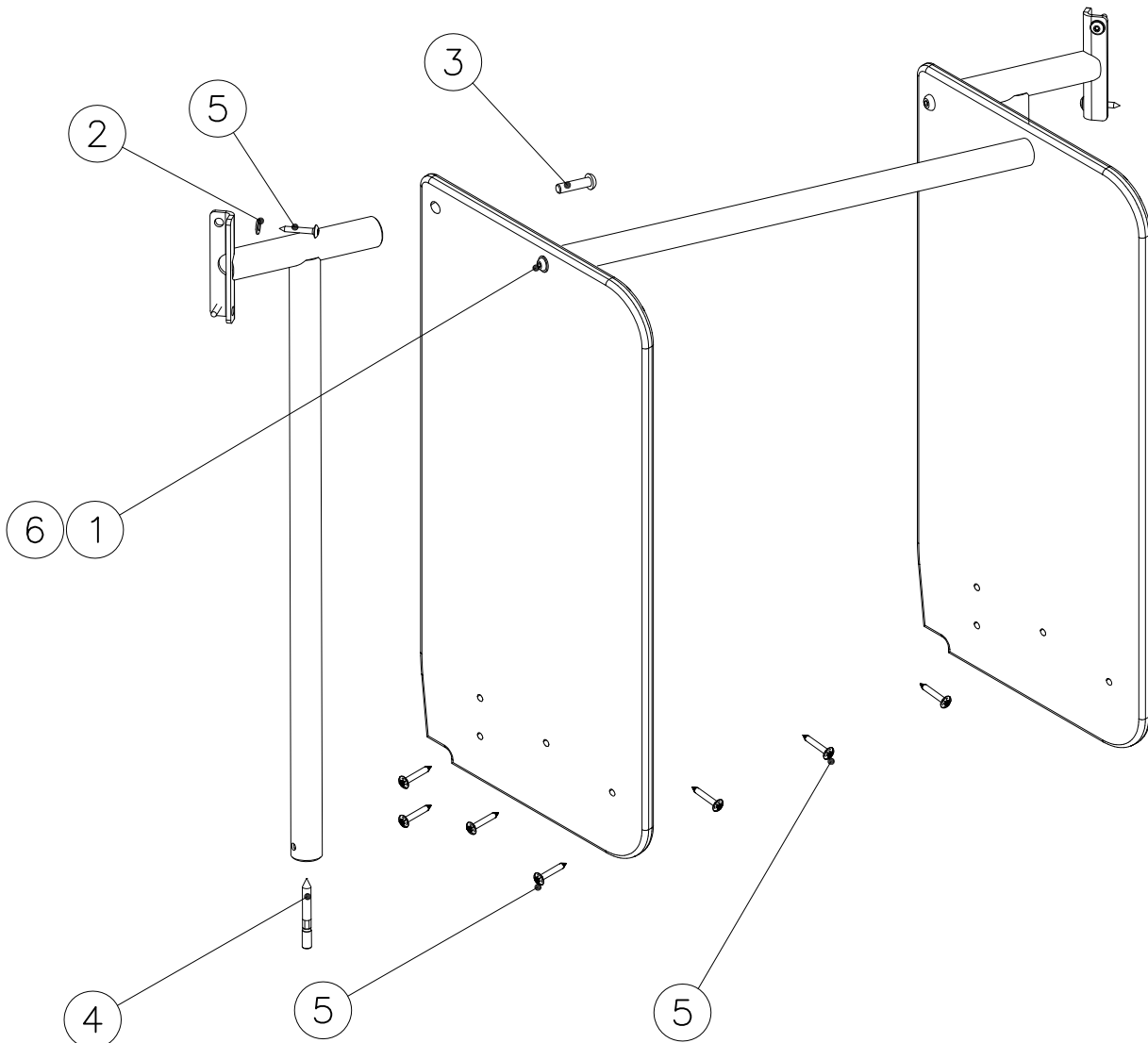
80MD

80MD

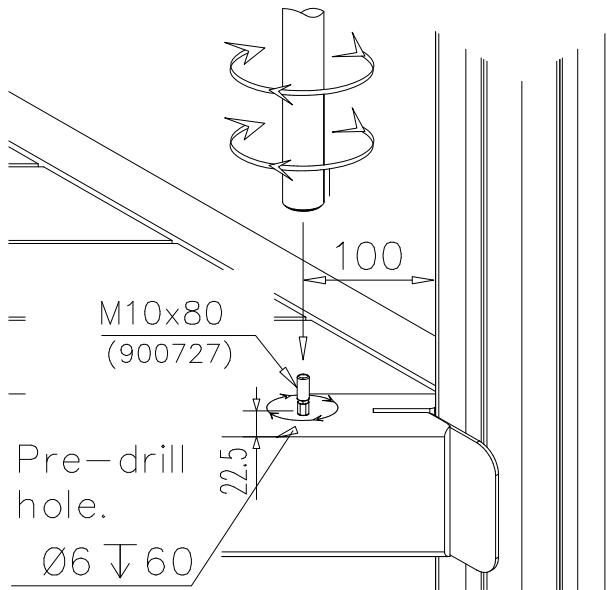
DATE: 21.9.2016

2(5)

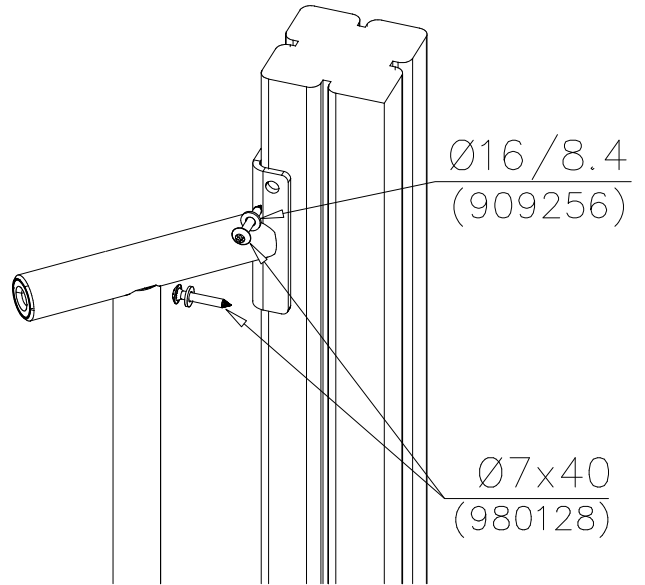
○ SLIDE +1470 PCS 1	○ SLIDE +870 PCS 1	○ 706371 15x345x750 PCS 2	○ 907692 PCS 2	○ 901868 Ø30x598 PCS 1	① 909876 M8x40 PCS 2
② 909256 Ø16/8.4 PCS 4	③ 907727 M10x40 PCS 2	④ 900727 M10x80 PCS 2	⑤ 980128 Ø7x40 PCS 15	⑥ 999561 GLUE 4101 ergo 10 g 10g PCS 1	



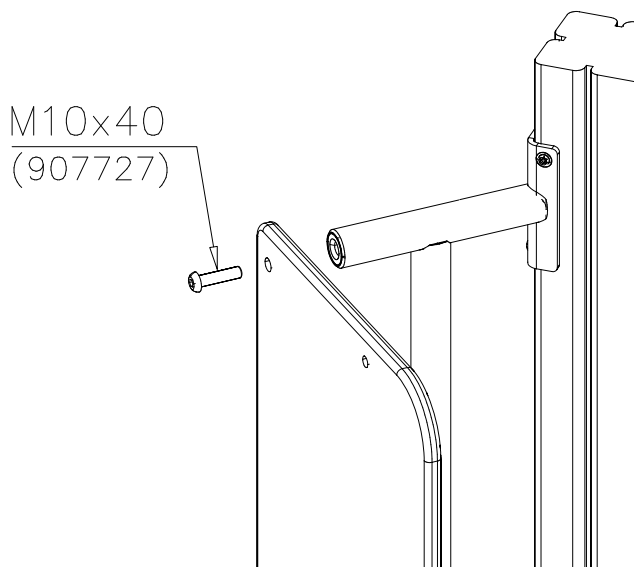
DET 1



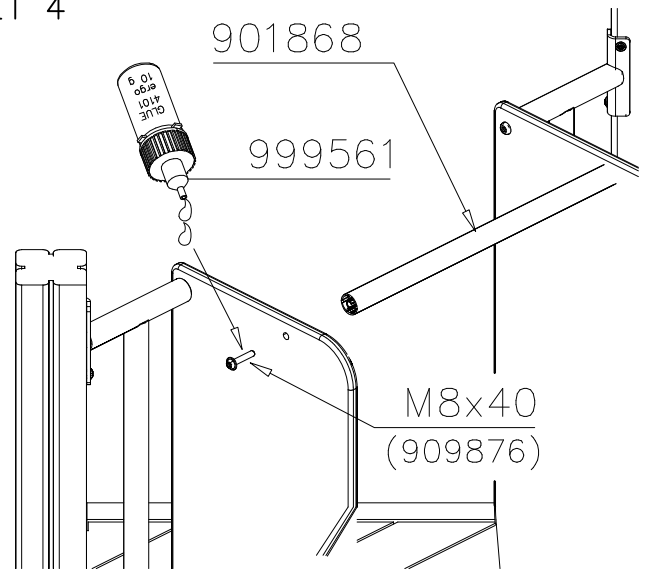
DET 2



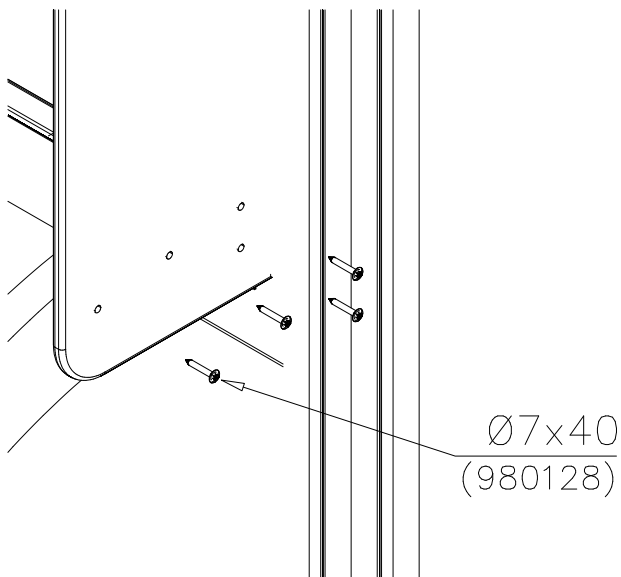
DET 3



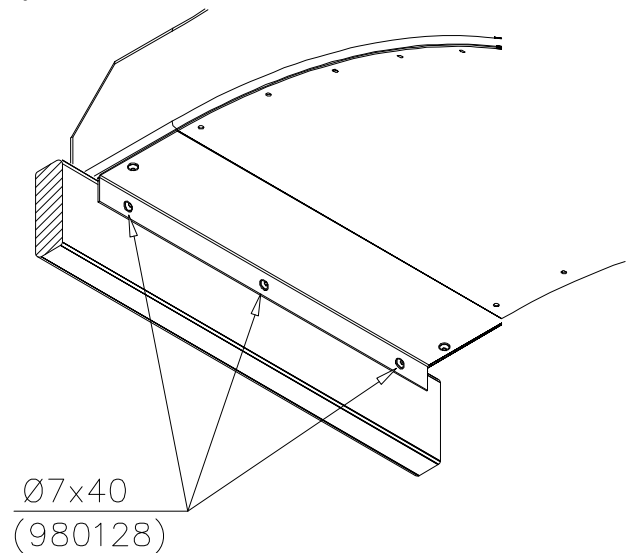
DET 4



DET 5



DET 6

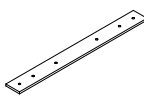
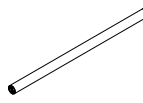


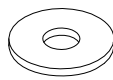
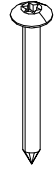


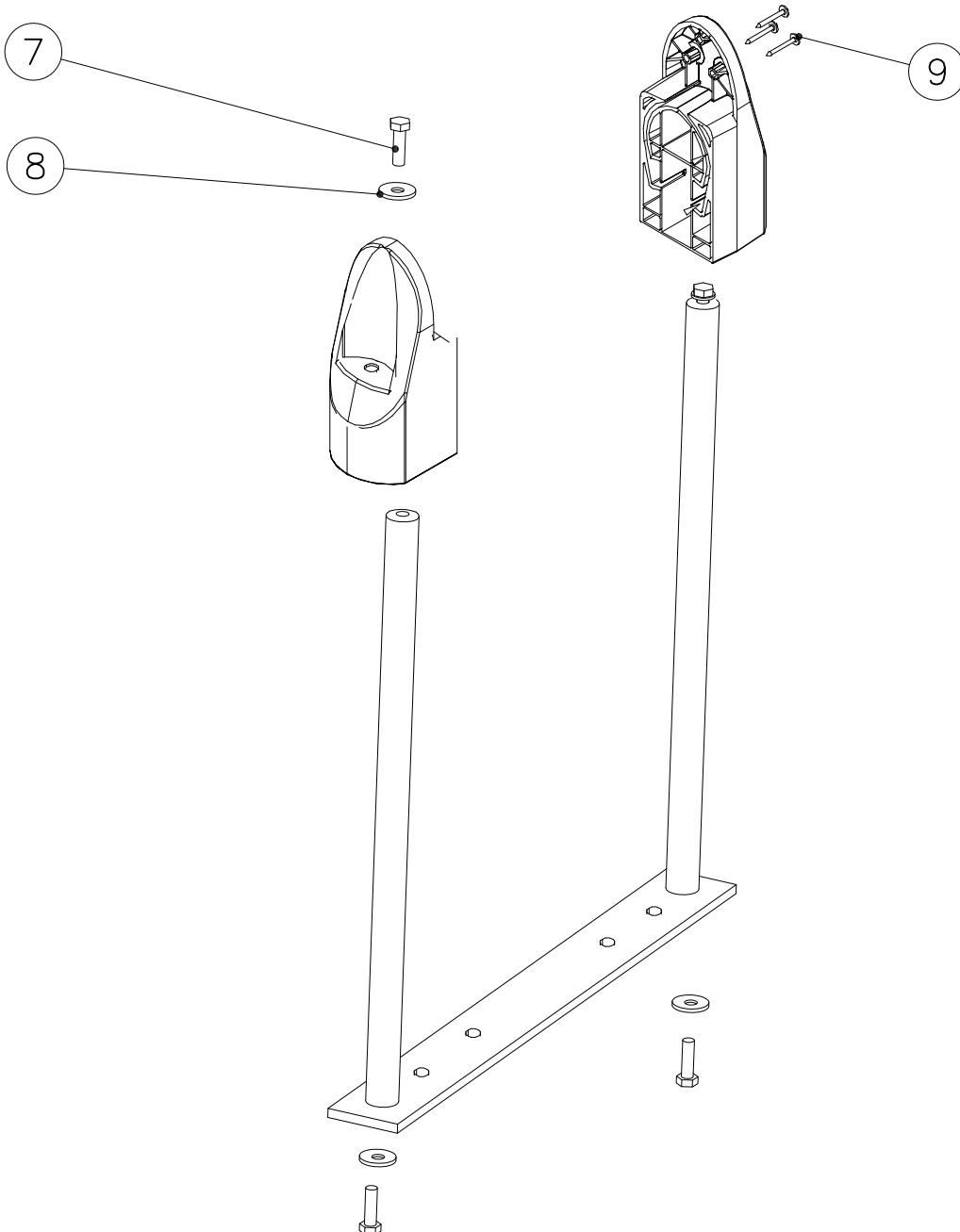
LAPPSET

DEEP FOUNDATION

DATE: 21.9.2016

4(5)

○ 707133	PCS	○ 901868	PCS	○ 901879	PCS	⑦ 909210	PCS	⑧ 905051	PCS	⑨ 980128	PCS
	1		2		2		4		4		6
10x80x745		Ø30x598				M8x40		Ø24/8.4		Ø7x40	



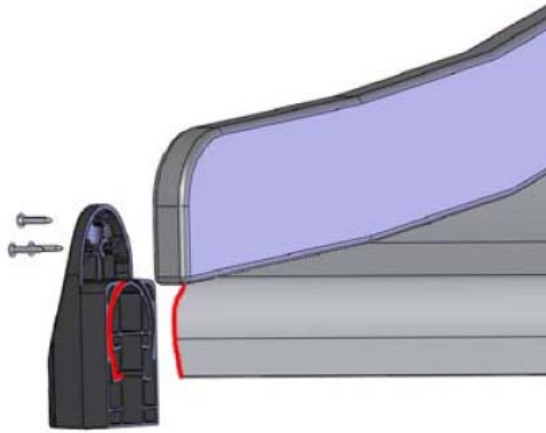
LAPPSET

DEEP FOUNDATION

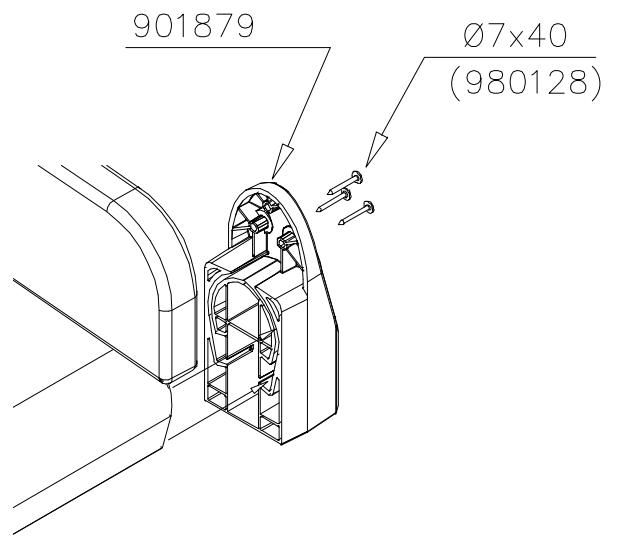
DATE: 21.9.2016

5(5)

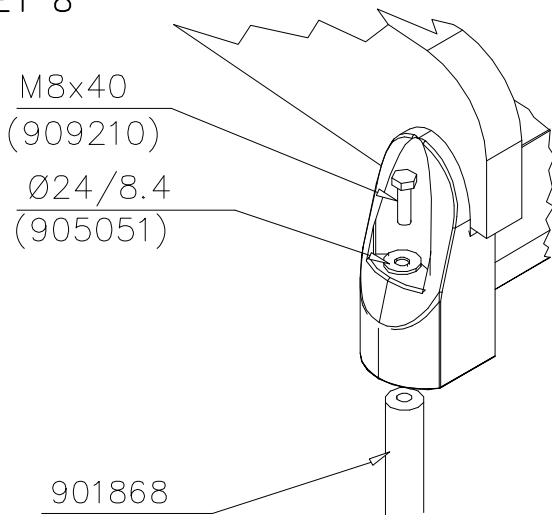
DET 7



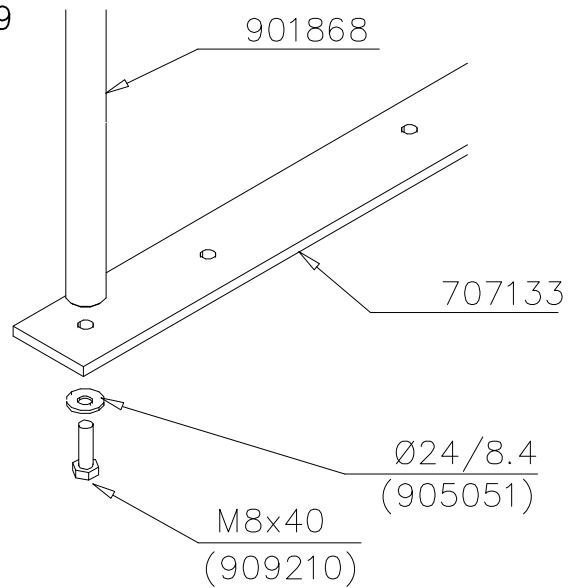
Insert sheet metal IN to the plastic cover.



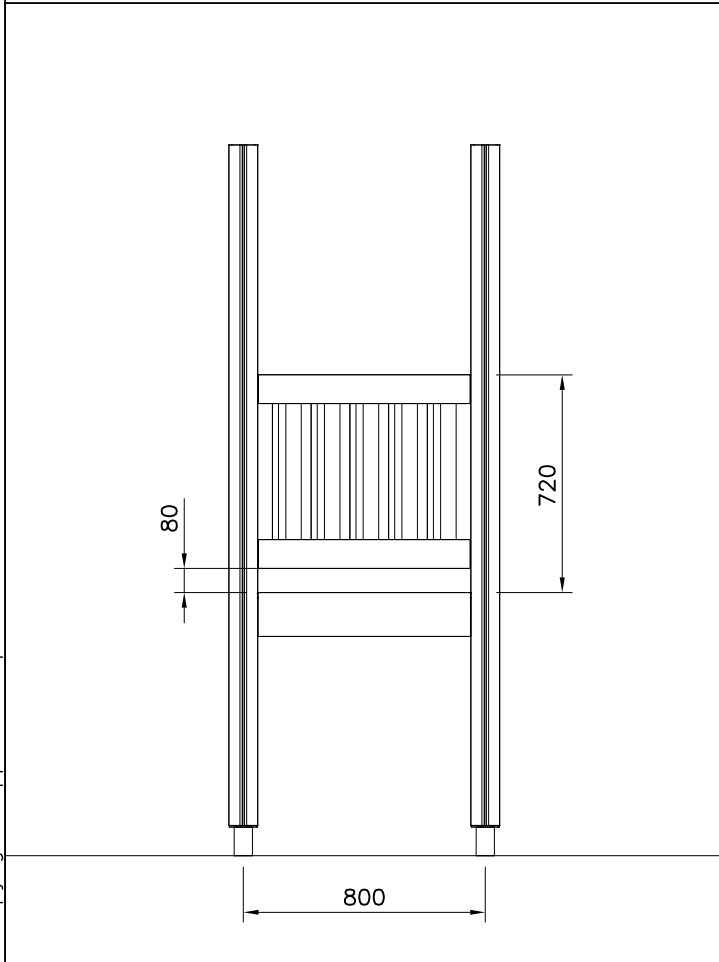
DET 8



DET 9

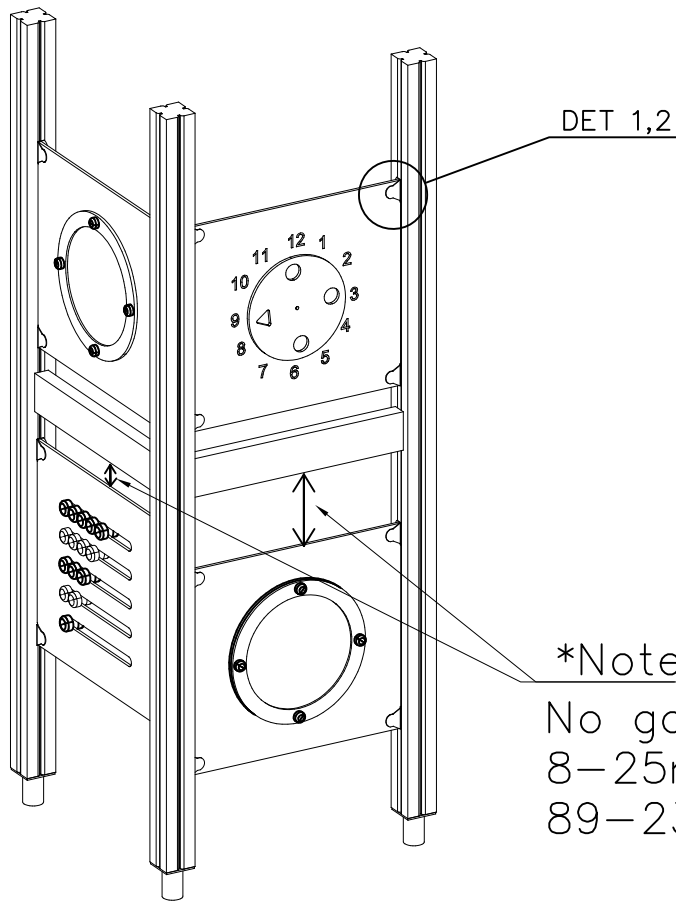


① 706746	PCS	② 909530	PCS
	1		4
45x640x701		55.9x127.5	
③ 900240	PCS	④ 980151	PCS
	4		4
Ø8x70		Ø16/8.4x1.6	
⑤ 905112	PCS		PCS
	4		
Ø22			
	PCS		PCS



WALL OPTIONS		
 706746 45x640x701	706746-605	DARK GRAY
	706746-606	GRAY
	706746-607	RED
	706746-608	BLUE
	706746-609	GREEN
	706746-610	YELLOW
	706746-611	LIME
	706746-612	FUXIA

<p>DET 1</p> <p>909530</p> <p>Ø16/8.4 (980151)</p> <p>Ø8x70 (900240)</p> <p>905112</p> <p>175</p>	<p>DET 2</p> <p>909530</p>
<p>DET 3</p> <p>Ø16/8.4 (980151)</p> <p>Ø8x70 (900240)</p> <p>905112</p>	

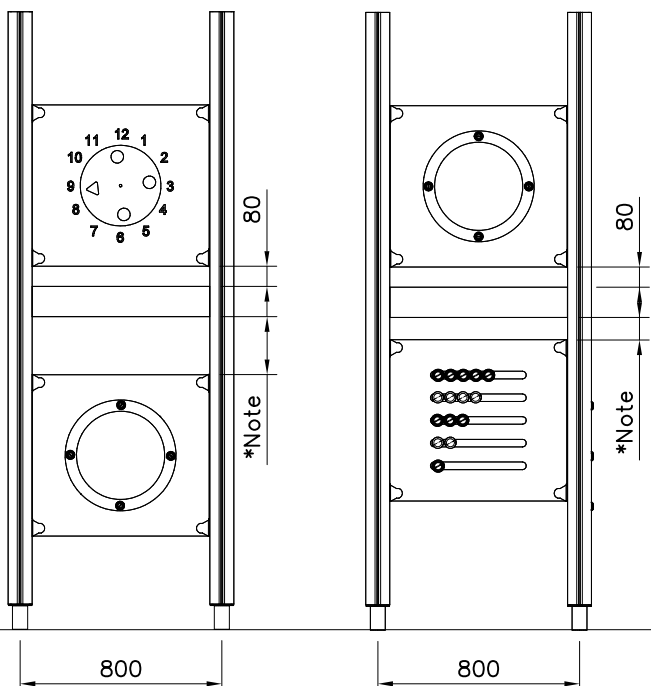


① 903176	PCS	② 909850	PCS
	4		4
		M8x25	
③ 909256	PCS	④ 909633	PCS
	8		4
Ø16/8.4x1.6		M8	
⑤ 980123	PCS		PCS
	4		
Ø7x60			

*Note:
No gaps between:
8–25mm
89–230mm

COLOR OPTIONS

- 701 BLUE
- 702 YELLOW
- 703 LIME
- 704 DARK GRAY
- 705 LIGHT GRAY
- 706 RED
- 707 GREEN
- 708 FUXIA



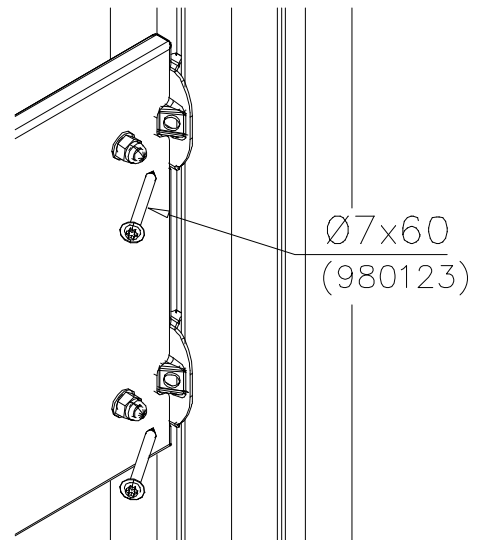
GAME WALL OPTIONS

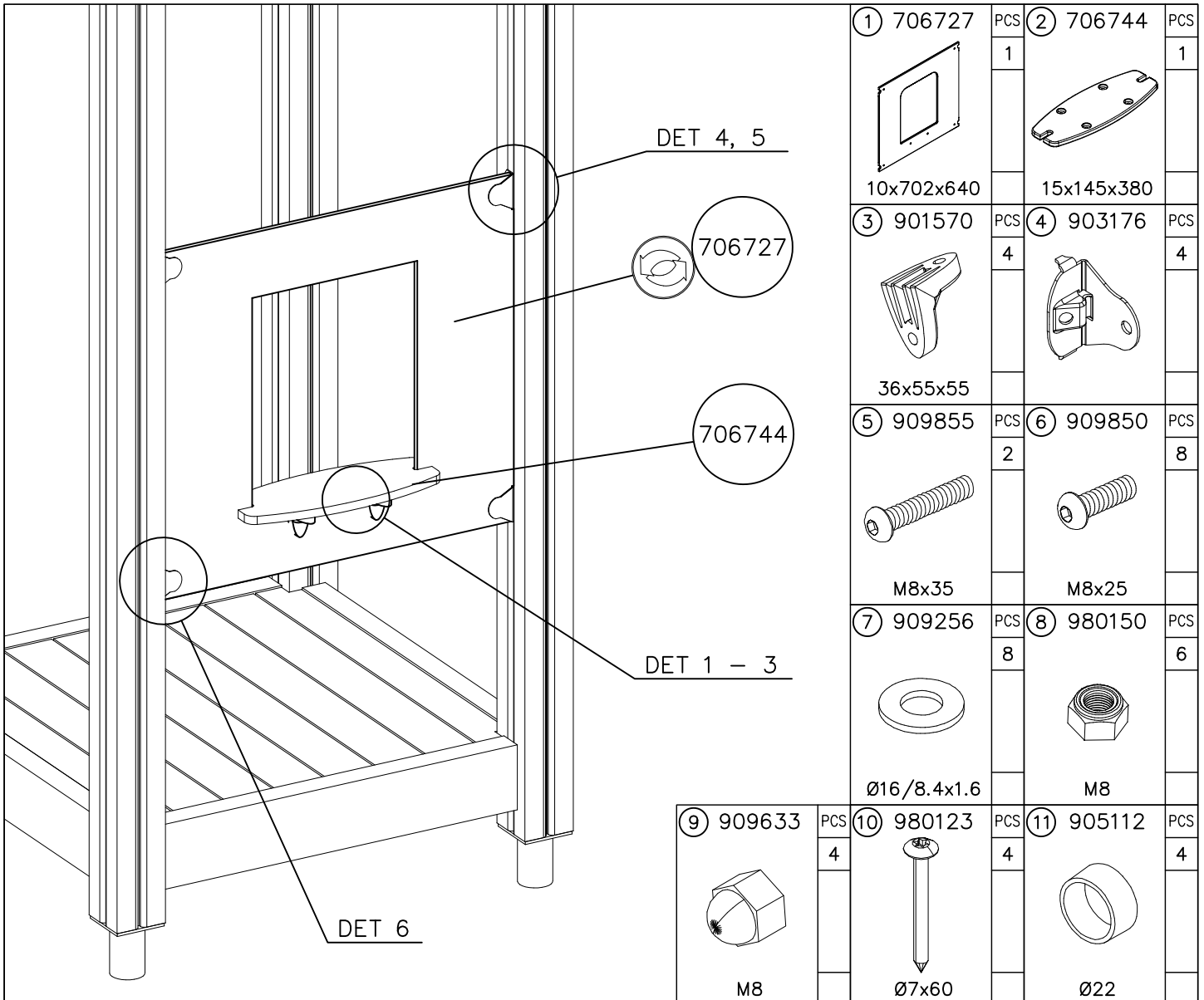
706766	706772	706308	707453
			
640x702	640x702	640x702	640x702
707209	705705	707433	707386
			
640x702	640x702	640x702	640x702
709403	709358	709405	
			
640x702	640x702	420x702	

DET 1

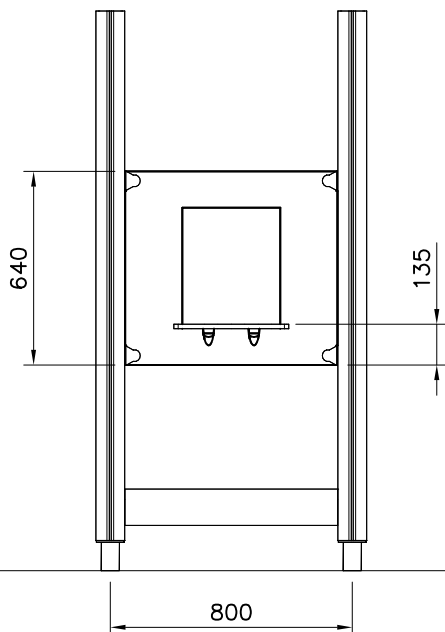


DET 2





① 706727	PCS	② 706744	PCS
	1		1
10x702x640		15x145x380	
③ 901570	PCS	④ 903176	PCS
	4		4
36x55x55			
⑤ 909855	PCS	⑥ 909850	PCS
	2		8
M8x35		M8x25	
⑦ 909256	PCS	⑧ 980150	PCS
	8		6
Ø16/8.4x1.6		M8	
⑨ 909633	PCS	⑩ 980123	PCS
	4		4
M8		Ø7x60	
		⑪ 905112	PCS
			4
		Ø22	

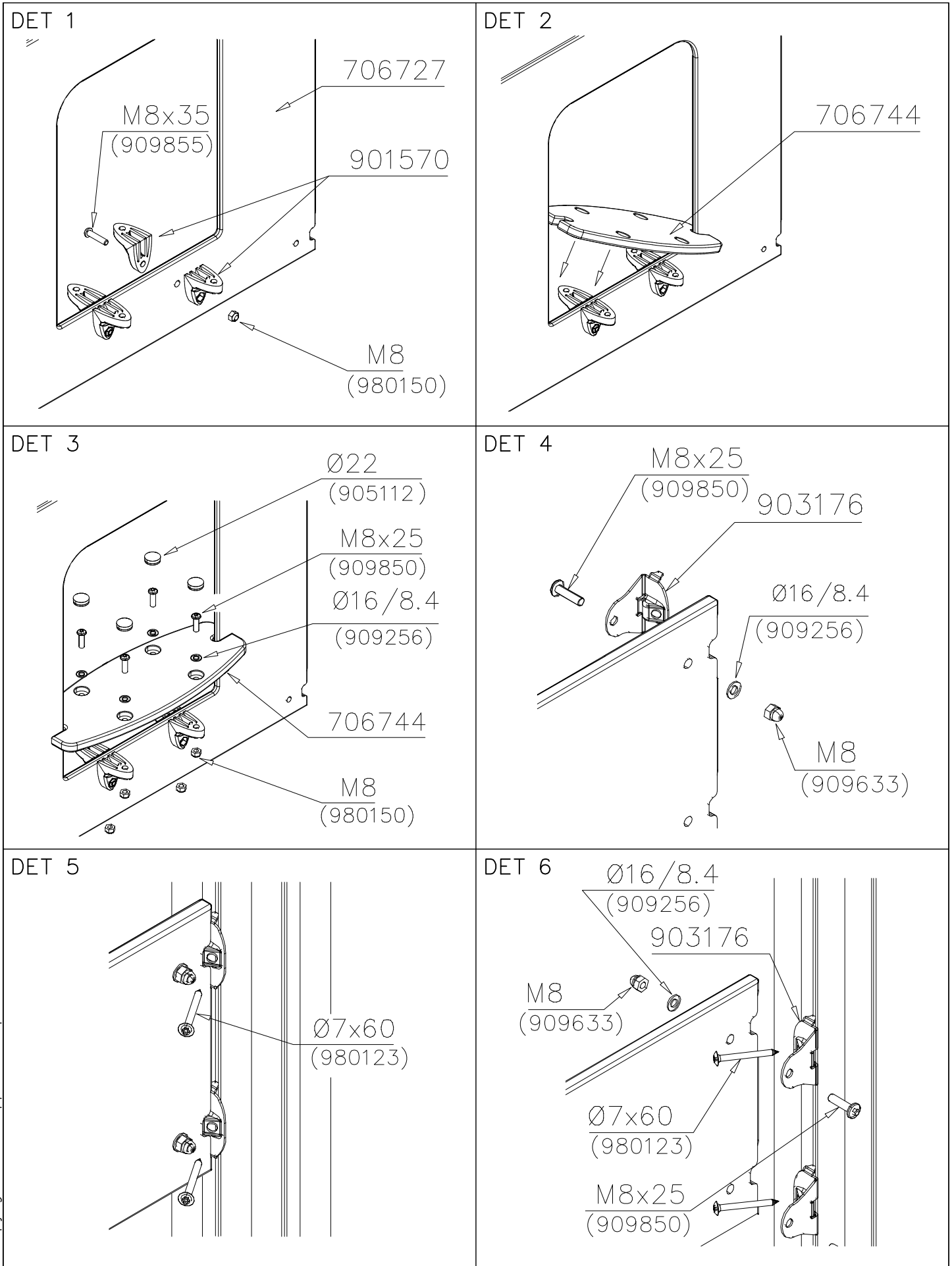


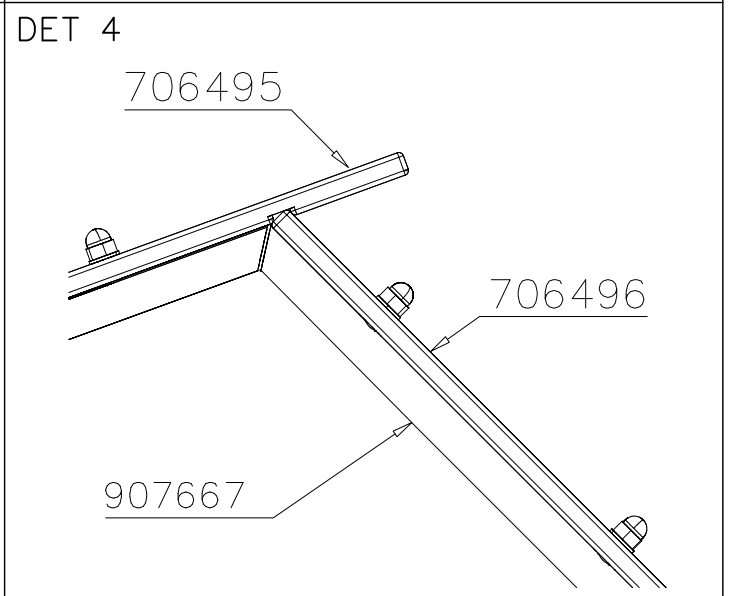
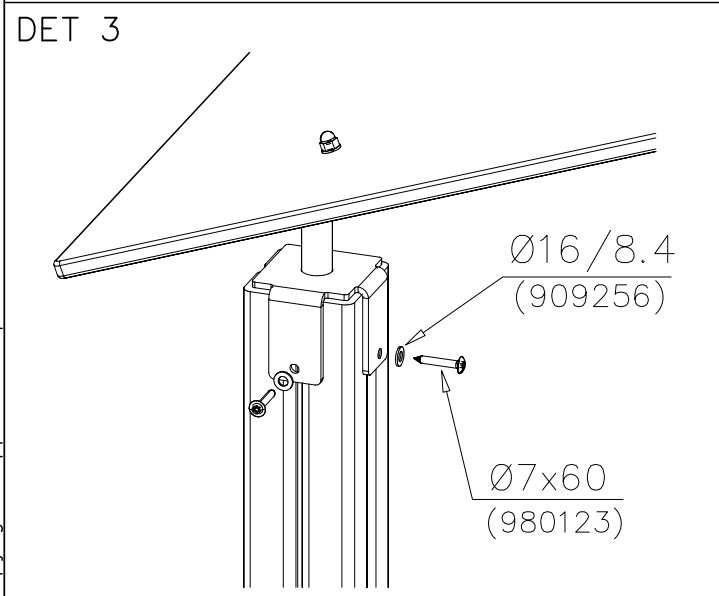
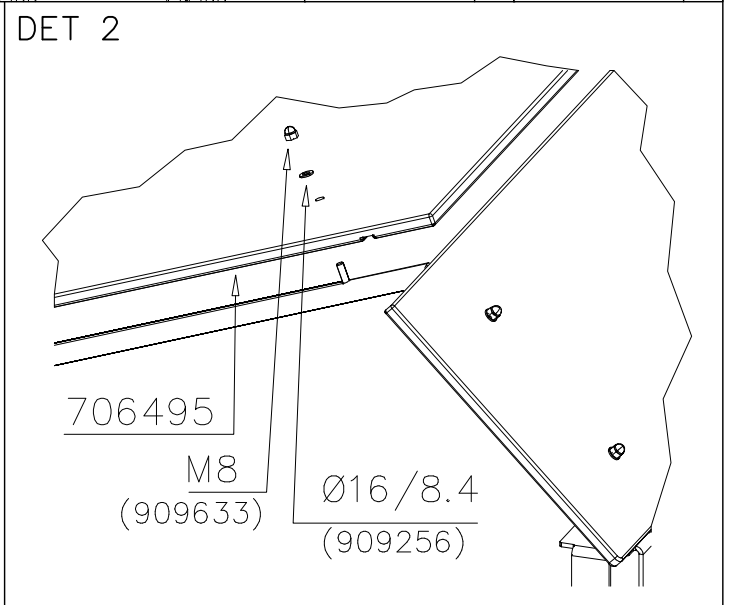
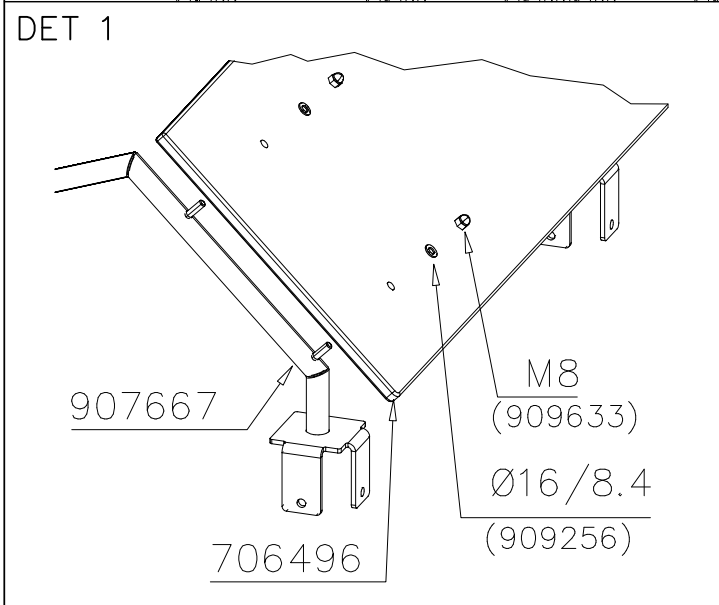
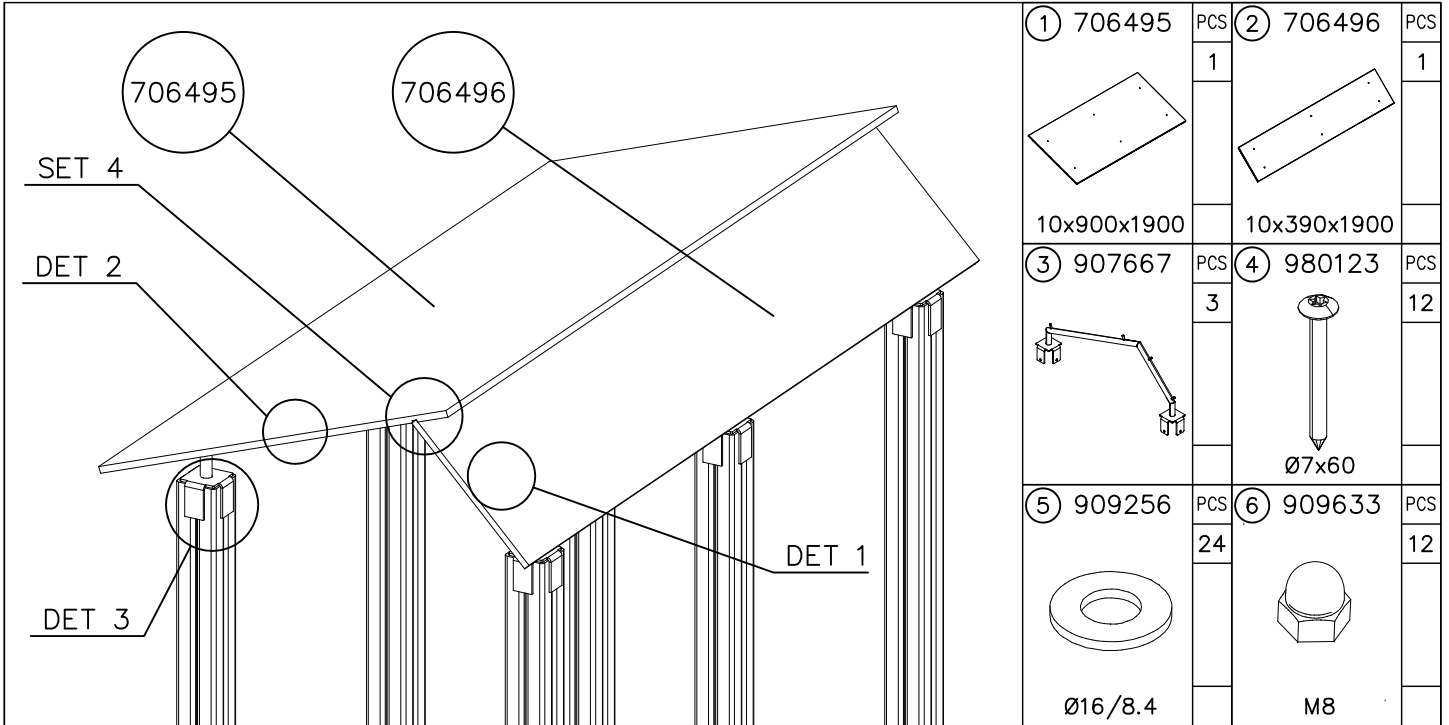
WALL OPTIONS

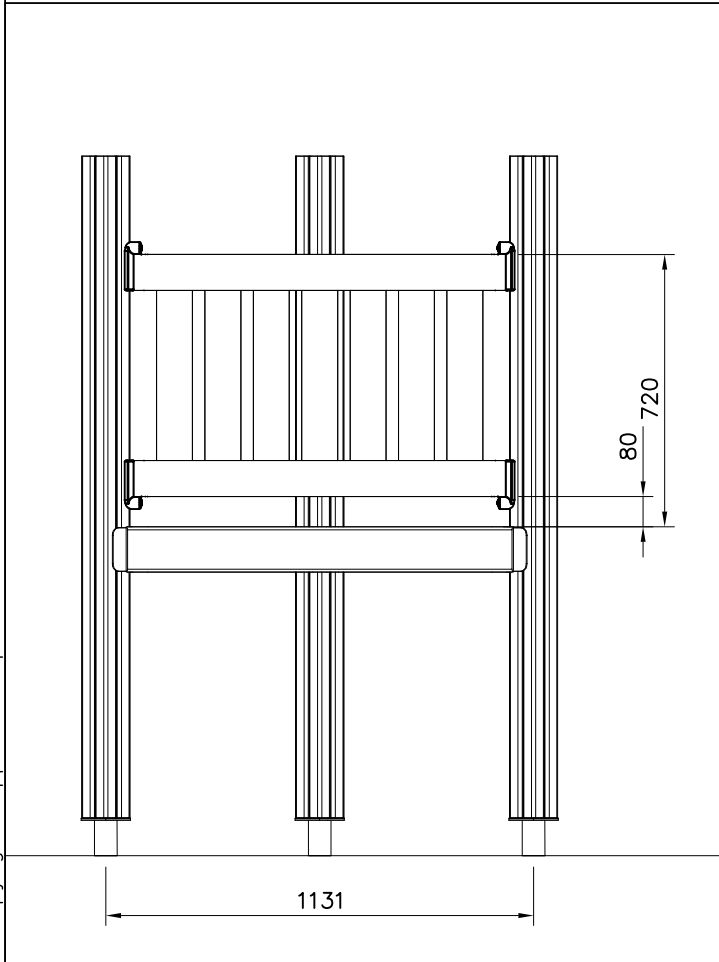
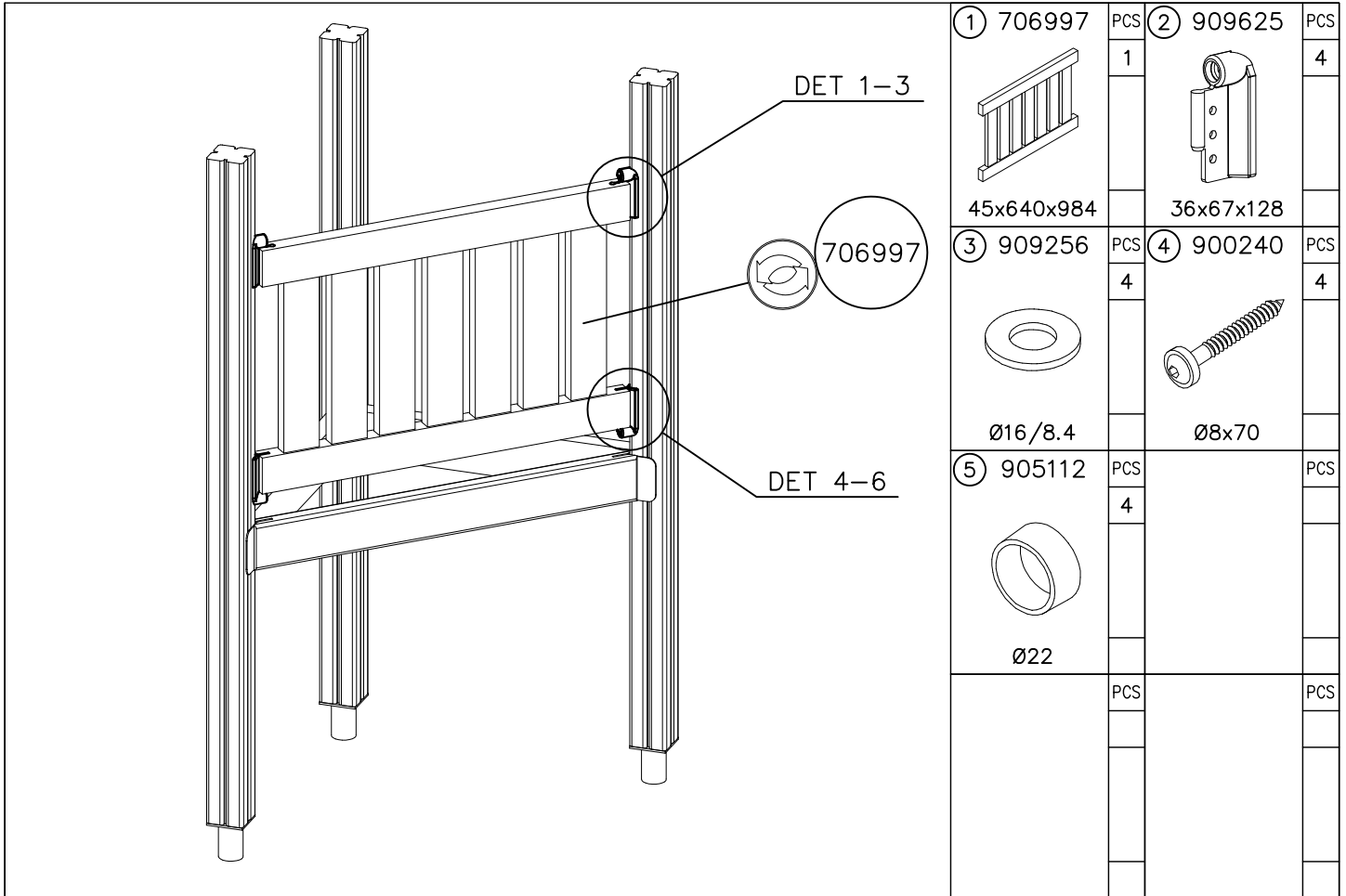
706727	706727-701	BLUE
	706727-702	YELLOW
	706727-703	LIME
	706727-704	DARK GRAY
	706727-705	LIGHT GRAY
	706727-706	RED
	706727-707	GREEN
	706727-708	FUXIA

WALL OPTIONS

706744	706744	DARK GRAY
15x145x380		

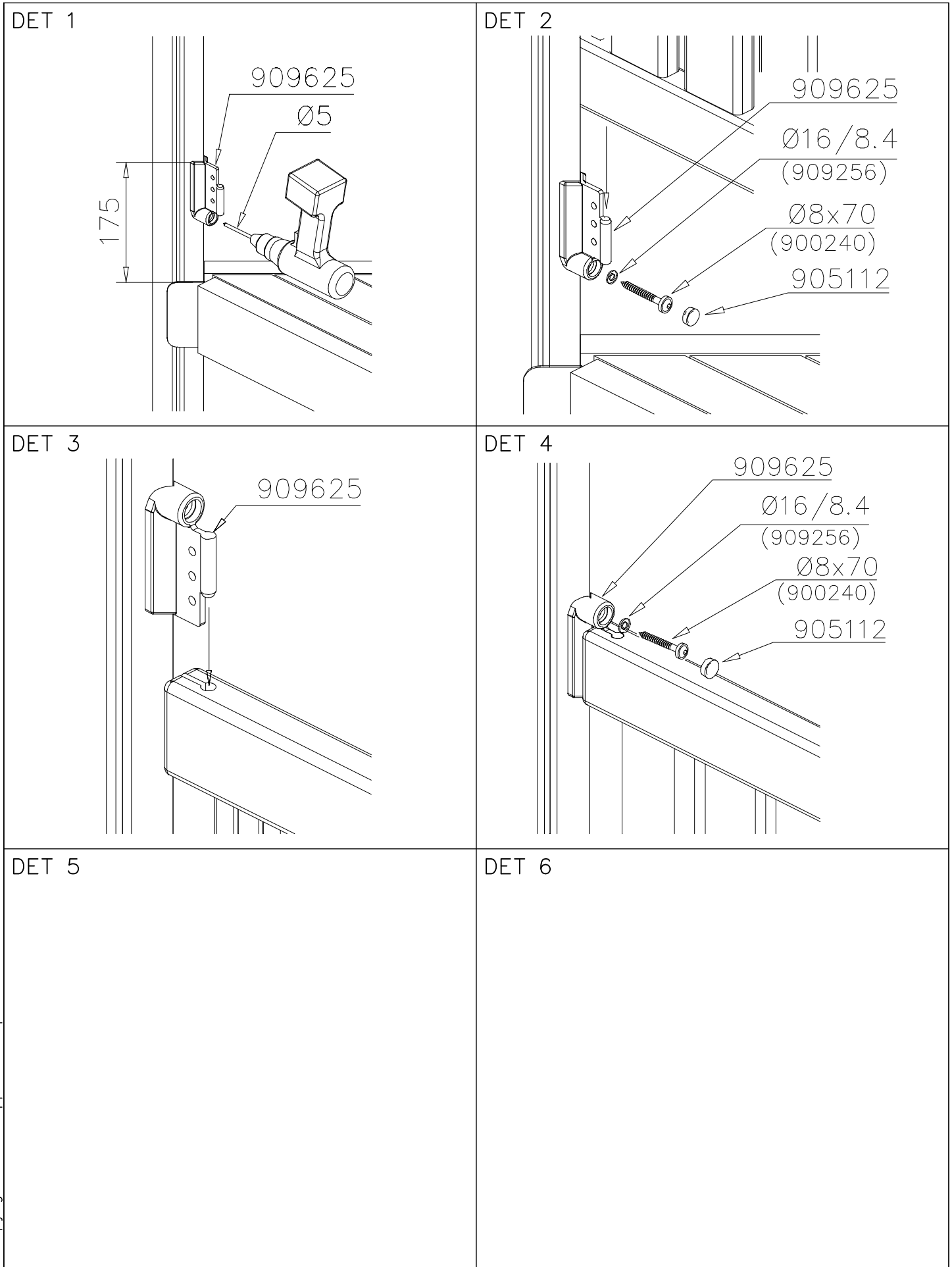


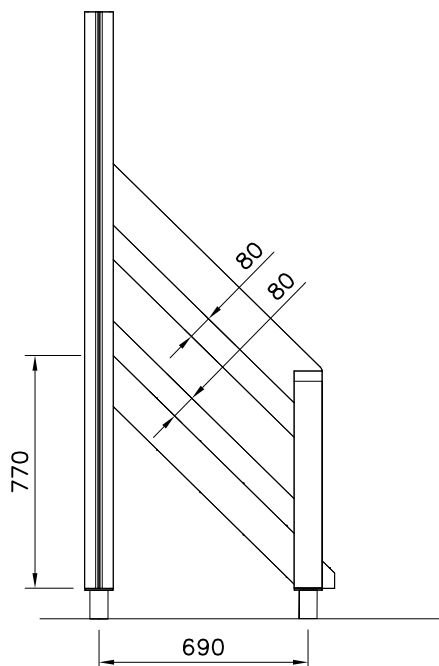
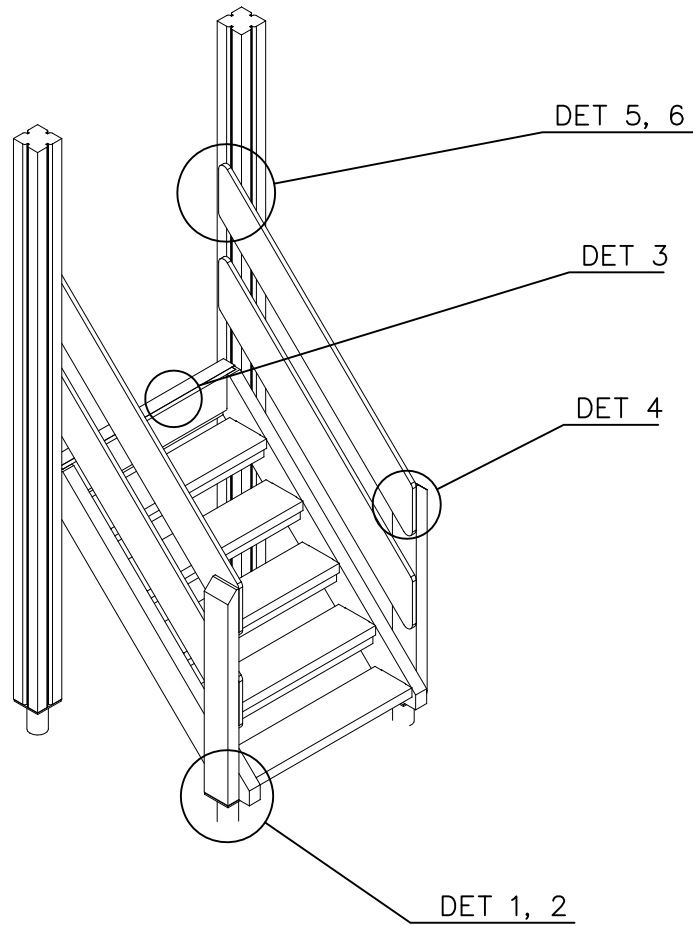




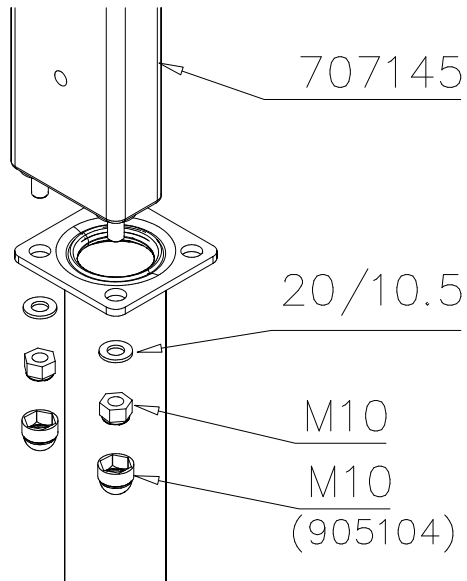
WOODEN WALL OPTIONS

 706997 45x640x984	706997-605	DARK GRAY
	706997-606	GRAY
	706997-607	RED
	706997-608	BLUE
	706997-609	GREEN
	706997-610	YELLOW
	706997-611	LIME
	706997-612	FUXIA

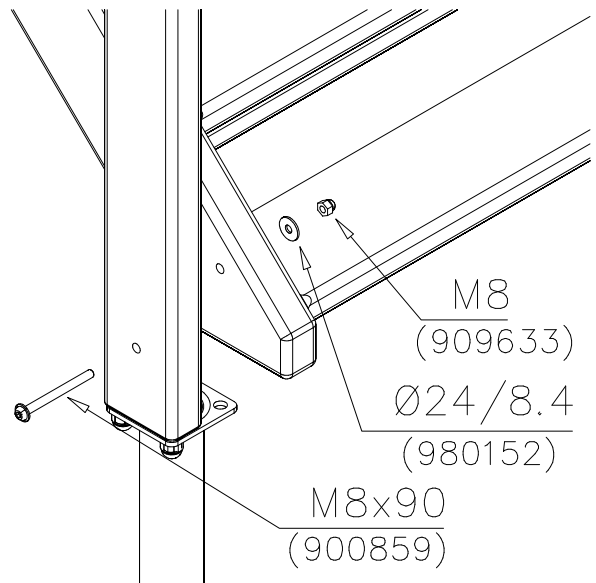




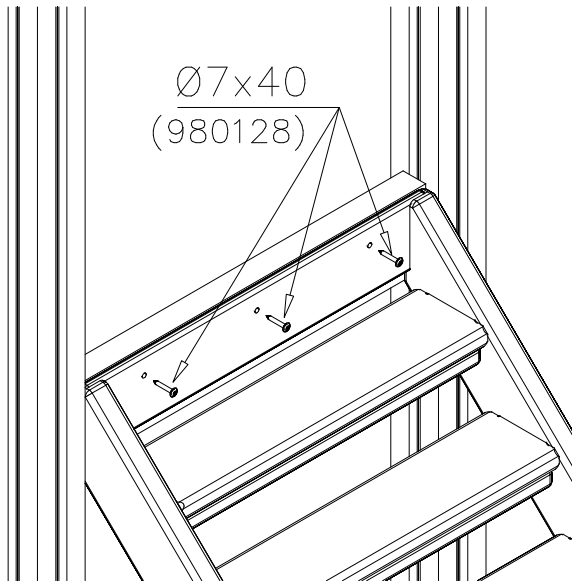
DET 1



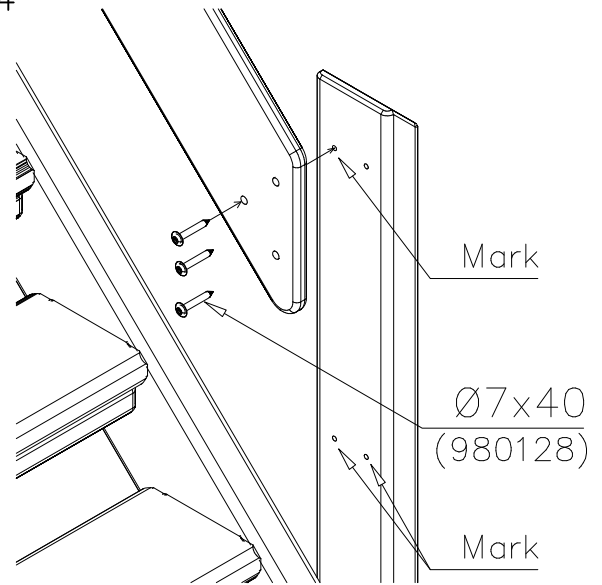
DET 2



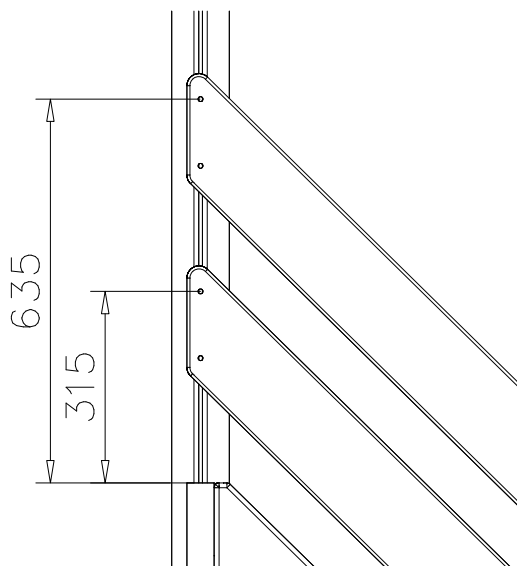
DET 3



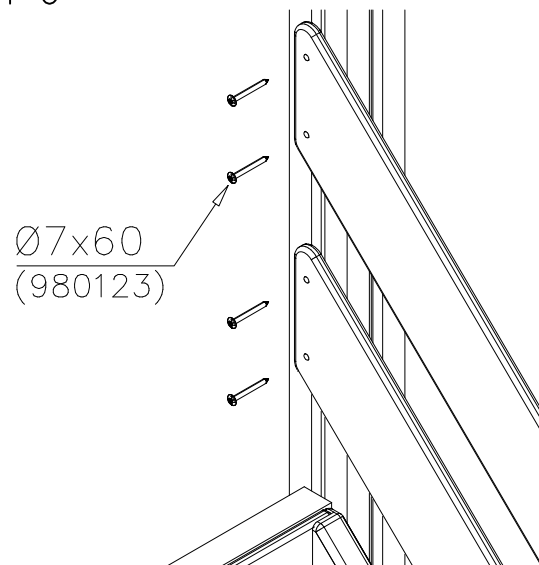
DET 4

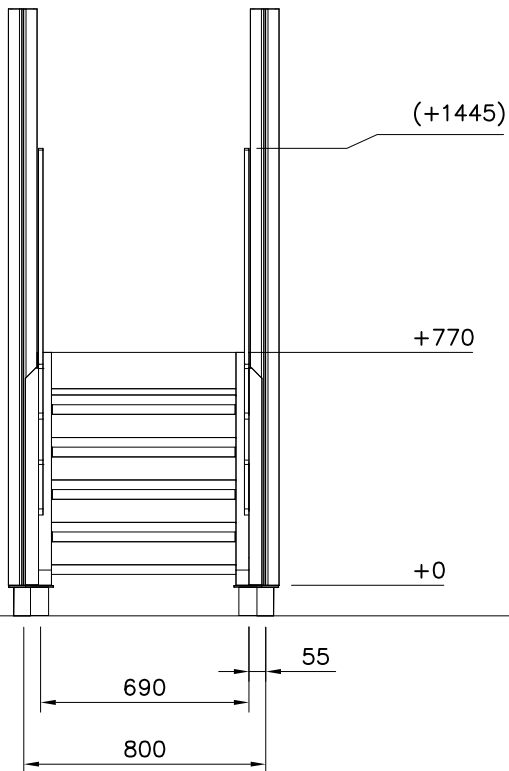


DET 5




DET 6







STAIRS OPTIONS +870

707191 	707191-602 DARK BROWN 707191-603 LIGHT BROWN 707191-604 LIGHT GRAY	
---	--	--

RAILING OPTIONS




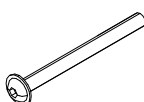

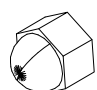
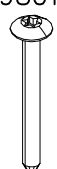


RAILS 707146  15x145x1153	707146-701 BLUE 707146-702 YELLOW 707146-703 LIME 707146-704 DARK GRAY 707146-705 LIGHT GRAY 707146-706 RED	707146-707 GREEN 707146-708 FUXIA
---	--	--------------------------------------

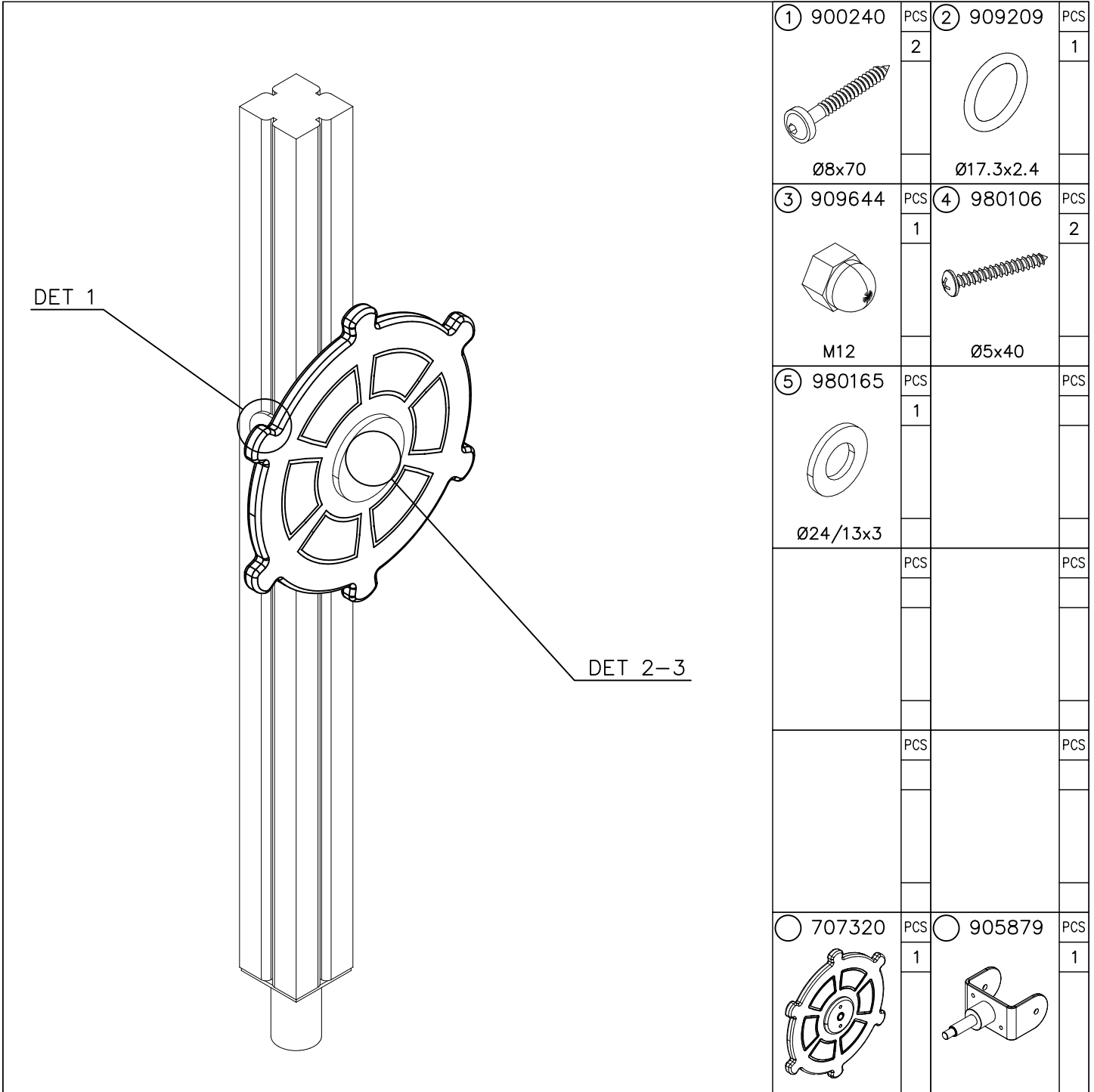
POST 707145  43x93x717	707145-602 DARK BROWN 707145-603 LIGHT BROWN 707145-604 LIGHT GRAY	
---	--	--

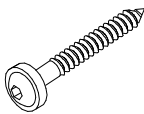
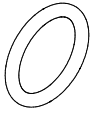
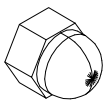
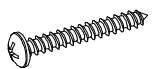

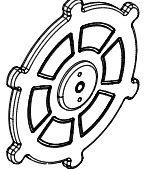
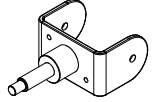
POST OPTIONS

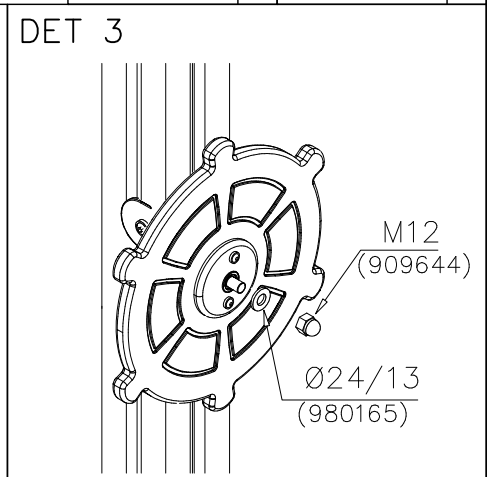
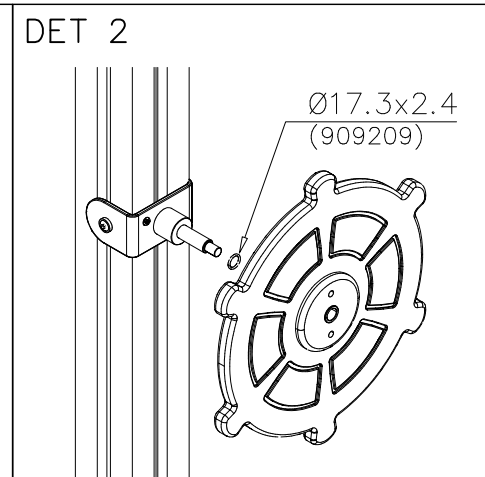
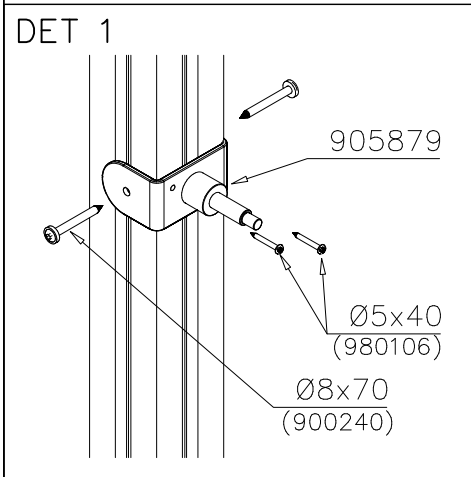
--	--	--

--	--	--

① 707191  +870	PCS 1	② 707145  43x93x717	PCS 2	③ 707146  15x145x1153	PCS 4	④ 900859  M8x90	PCS 2	⑤ 905104  M10	PCS 4	⑥ 909633  M8	PCS 2
⑦ 980123  Ø7x60	PCS 8	⑧ 980128  Ø7x40	PCS 15	⑨ 980152  Ø24/8.4x2	PCS 2		PCS		PCS		PCS



① 900240	PCS	② 909209	PCS
	2		1
Ø8x70		Ø17.3x2.4	
③ 909644	PCS	④ 980106	PCS
	1		2
M12		Ø5x40	
⑤ 980165	PCS		PCS
	1		
Ø24/13x3			
	PCS		PCS
	PCS		PCS
○ 707320	PCS	○ 905879	PCS
	1		1





Tuotekyltti tulee tuotteen mukana yhdellä seuraavista tavoista:

1) Metallinen tuotekyltti ja kiinnitysruuvit

- Kiinnitä tuotekyltti ruuveilla tolppaan noin 2 metrin korkeuteen kuvan 1 mukaisesti.

2) Tuotekyltitarra

- Puhdista maalattu metalli- tai vaneripinta pölystä ja kosteudesta. Liimaa tarra kuvan 2 mukaisesti.
- Huom. Älä kiinnitä tarraa karheapintaiseen laminaattiin tai maalattuun puuhun.

Vår produktmärkning levereras på ett av följande sätt:

1) Produktskylt i metall

- Fäst skylten med de medföljande skruvarna

2) Självhäftande produktetikett

- Rengör den pulverlackerade metallytan eller laminatyten så att den blir fri från smuts och fukt. Fäst etiketten enligt fig. 2.
- Obs! Fäst ej etiketten på detaljer med skrovlig yta eller på målat trä.

Product label is delivered by one of following ways:

1) Metal product label and screws

- Fasten the label with screws.

2) Label sticker

- Clean the painted metal or plywood surface from dirt and moisture. Fasten the sticker as shown in the figure 2.
- Note. Do not attach the sticker to rough surfaced laminate or painted wood.

La plaque d'informations produit est livrée sous l'une de ces 3 formes :

1) Plaque métallique et vis

- Fixez la plaque à l'aide des vis.

2) Etiquette autocollante

- Avant de coller l'étiquette, nettoyez le composant métallique peint ou la plaque de contreplaqué, de toute saleté. La surface doit être sèche (voir image 2).
- Attention, ne pas coller l'étiquette sur une surface lamellé-collée irrégulière ou sur du bois peint.

Die Auslieferung des Produktaufklebers erfolgt auf eine dieser Arten:

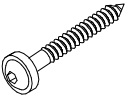
1) Produkt-Schild aus Metall incl. Schrauben

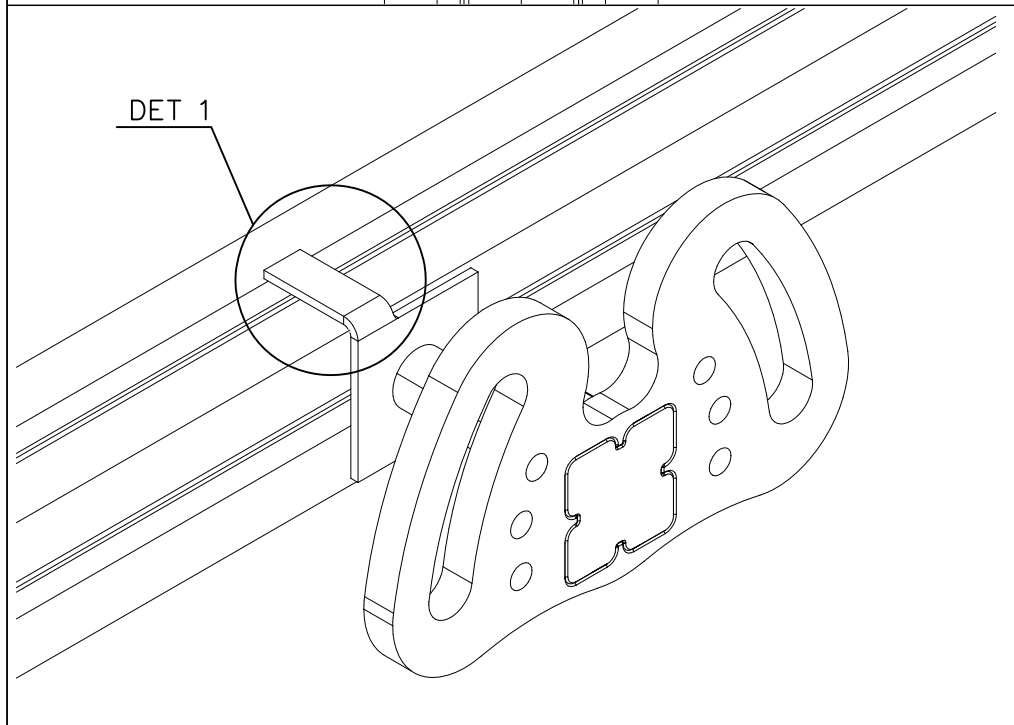
- Die Befestigung des Schildes erfolgt mittels der Schrauben.

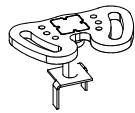
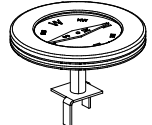
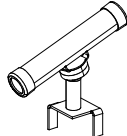
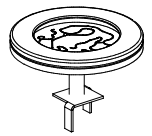
2) Aufkleber

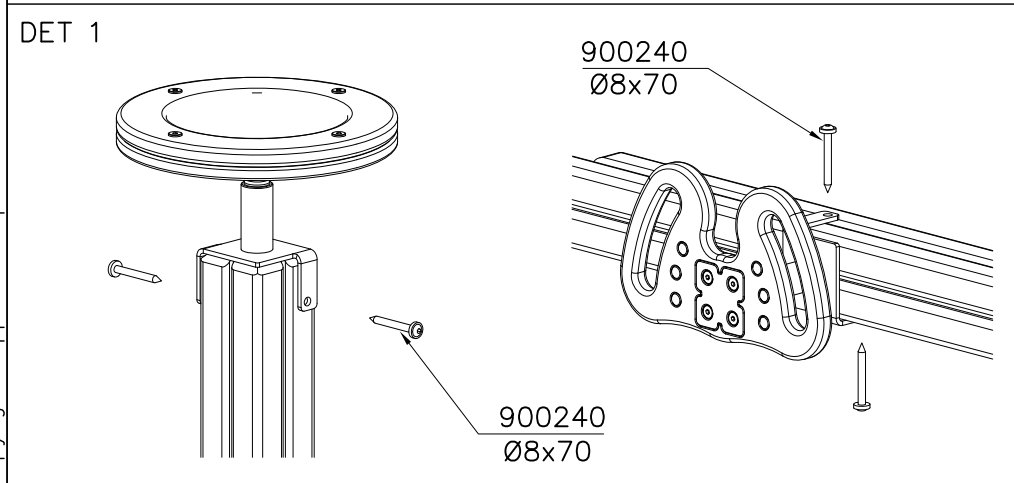
- Entfernen Sie zunächst Schmutz und Feuchtigkeit vom lackierten Metall bzw. von der Holzoberfläche und bringen Sie den Aufkleber wie im Bild oben rechts beschrieben auf den gesäuberten Untergrund auf.
- Beachten Sie: Bringen Sie den Aufkleber nicht auf raues laminiertes oder lackiertes Holz an.



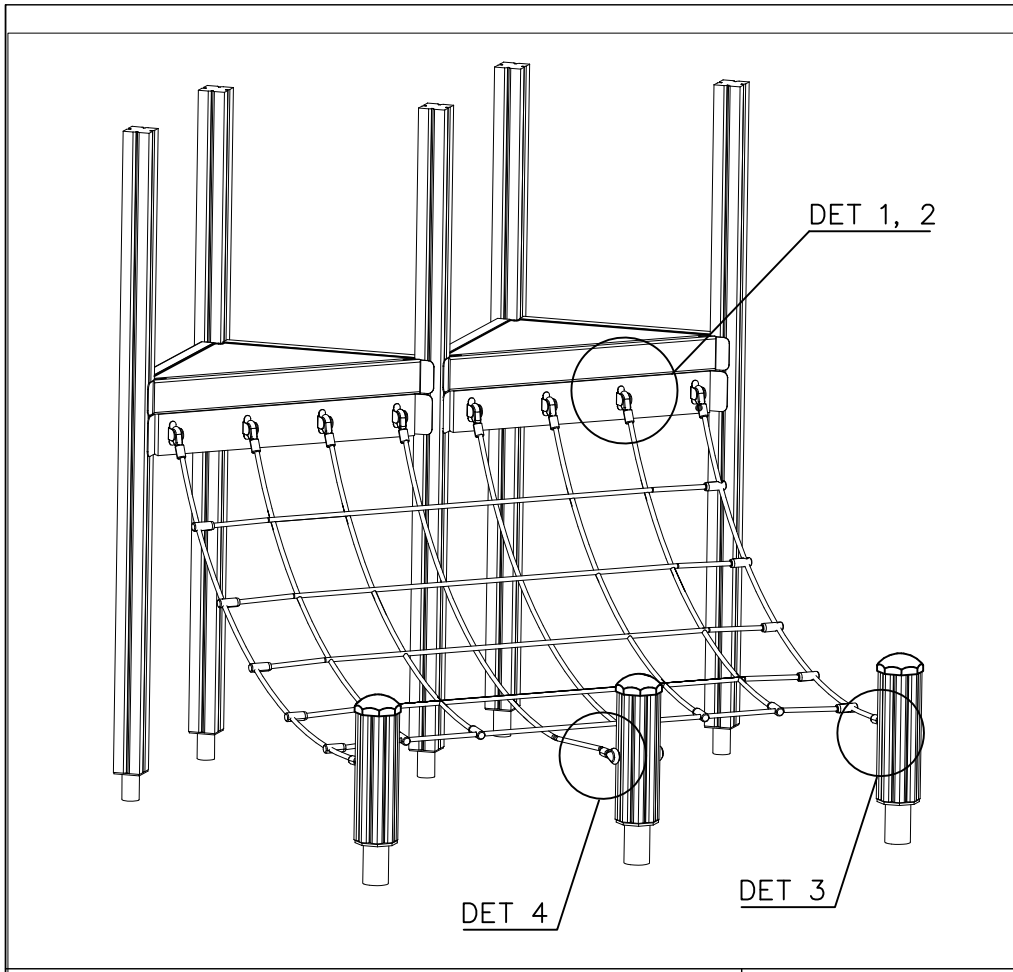
① 900240	PCS		PCS
	2		
Ø8x70			
	PCS		PCS
	PCS		PCS

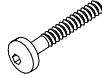


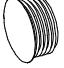




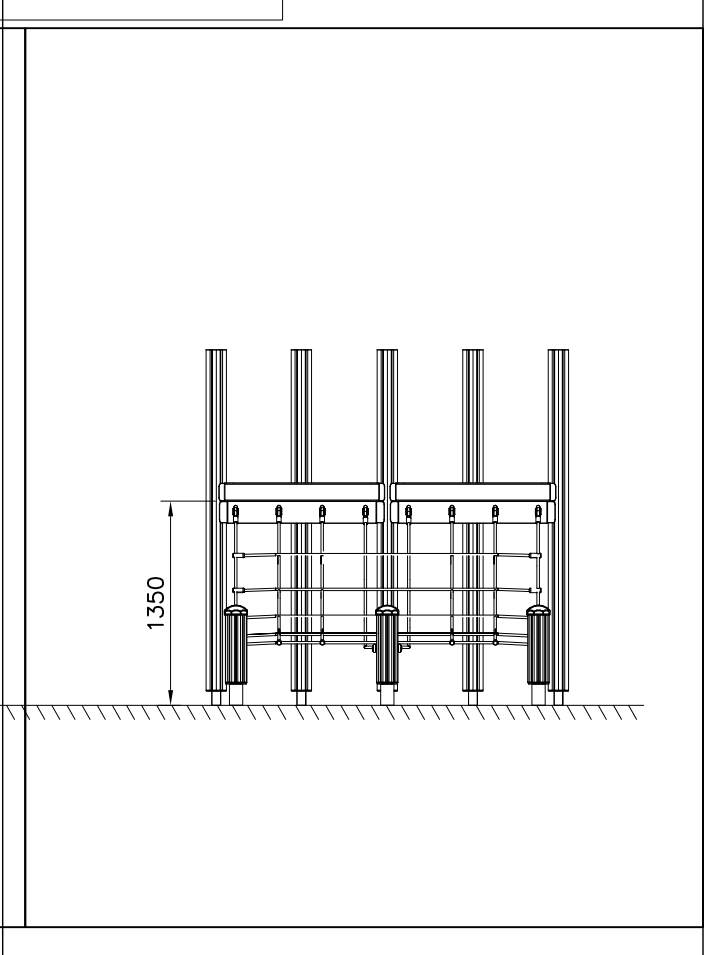
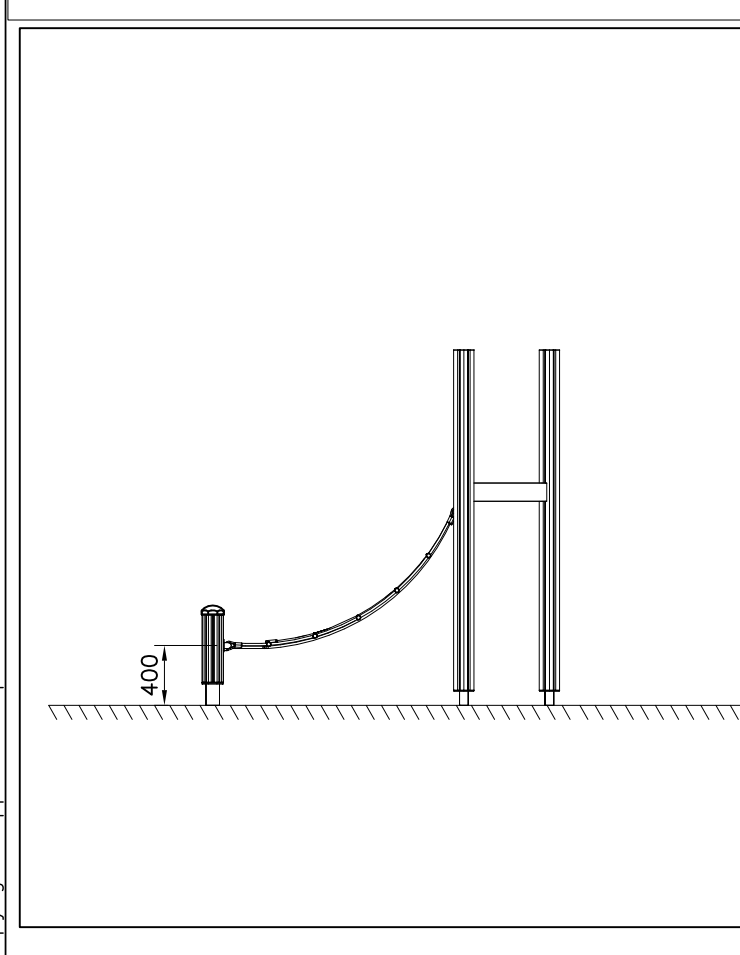
○ 707302	PCS	○ 707303	PCS
	1		1
○ 707304	PCS	○ 707305	PCS
	1		1
	PCS		PCS



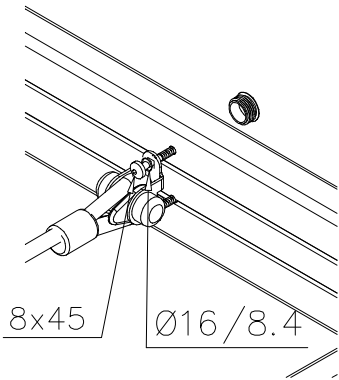
	PCS		PCS
	PCS		PCS



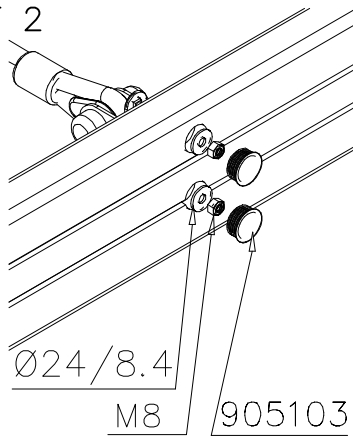
①	901899	PCS	②	905051	PCS
		16			16
					
	M8x45			Ø24/8.4	
③	980150	PCS	④	905103	PCS
		16			16
					
	M8			PT-28/32-H	
⑥	903093	PCS	⑦	909256	PCS
		6			16
					
	Ø8x90			Ø16/8.4	
		PCS			PCS



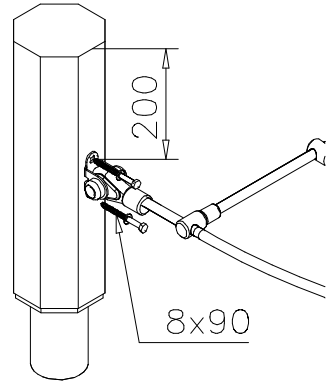
DET 1



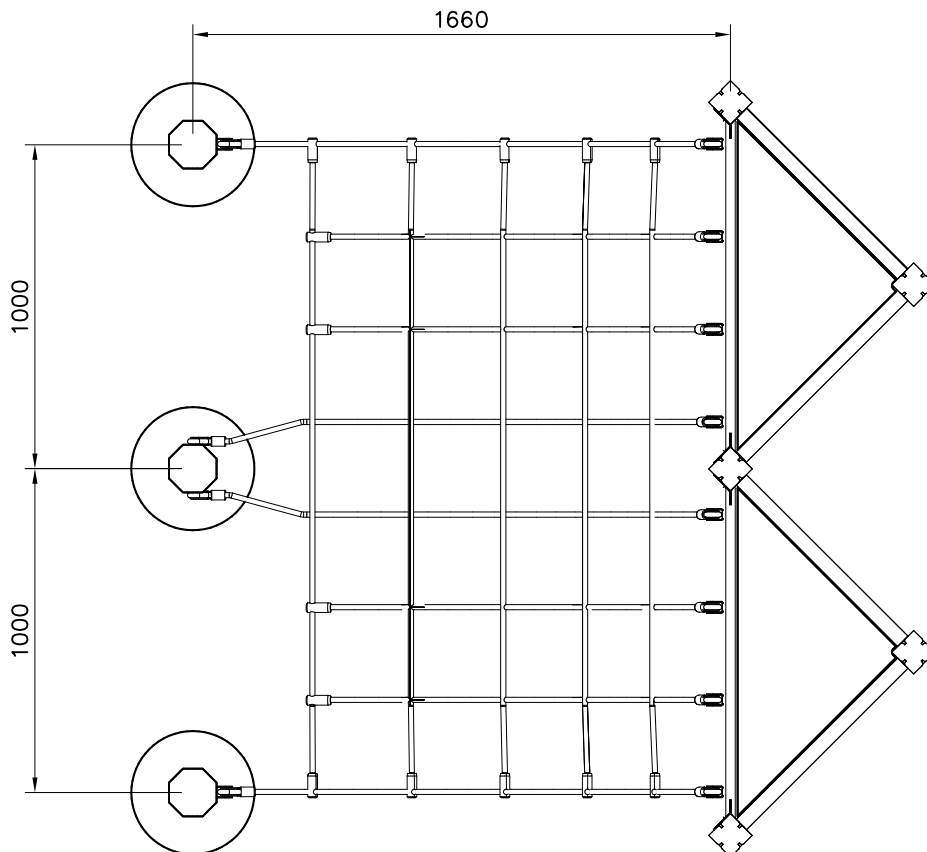
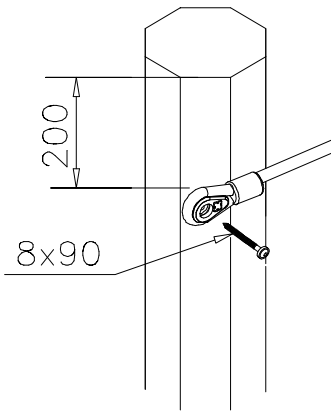
DET 2



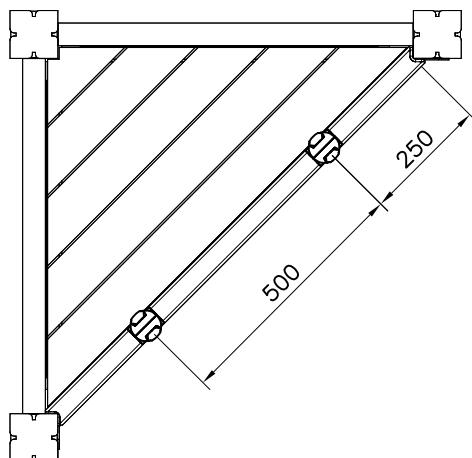
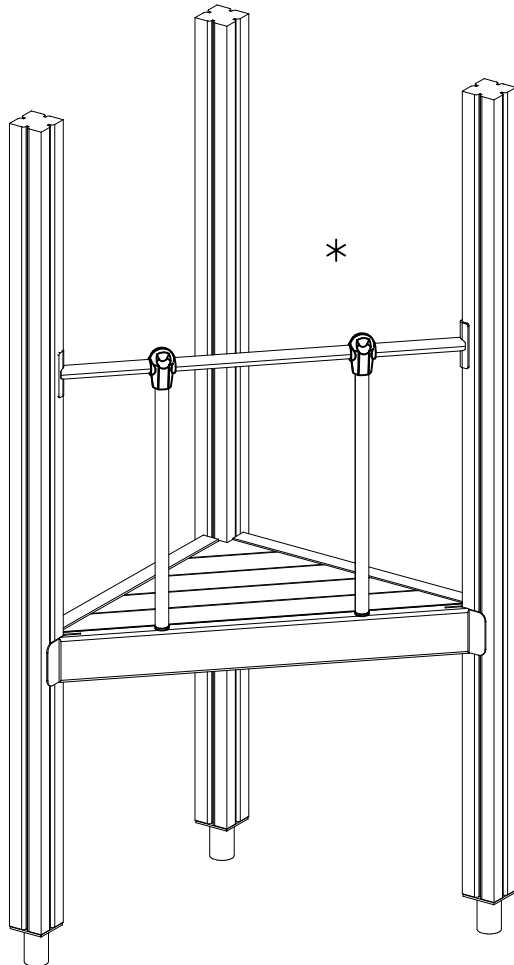
DET 3





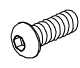



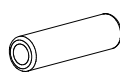


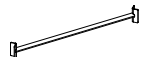



DET 4

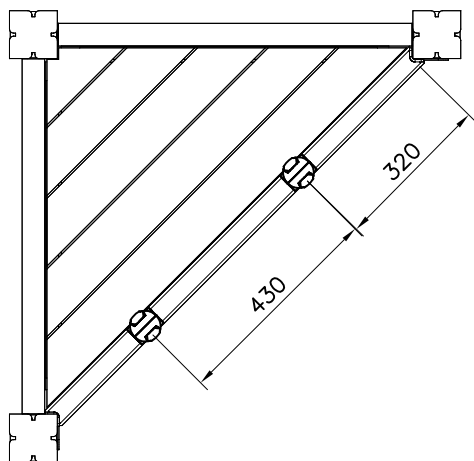
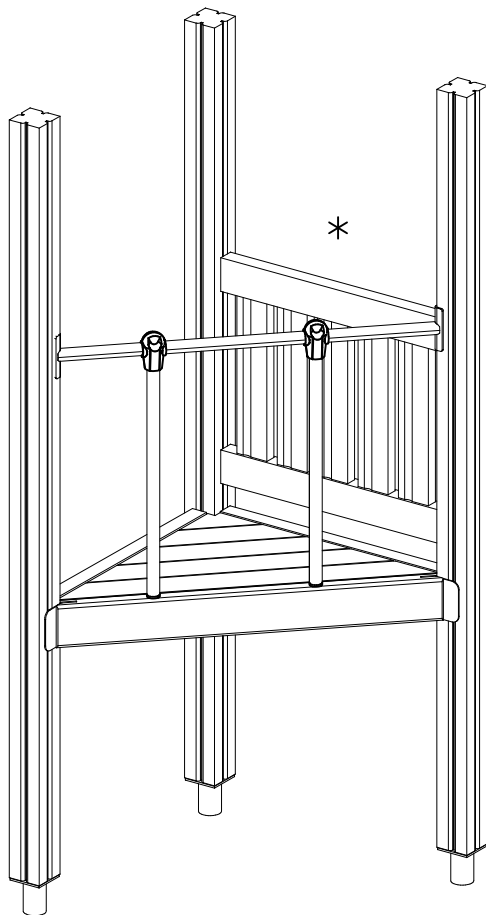


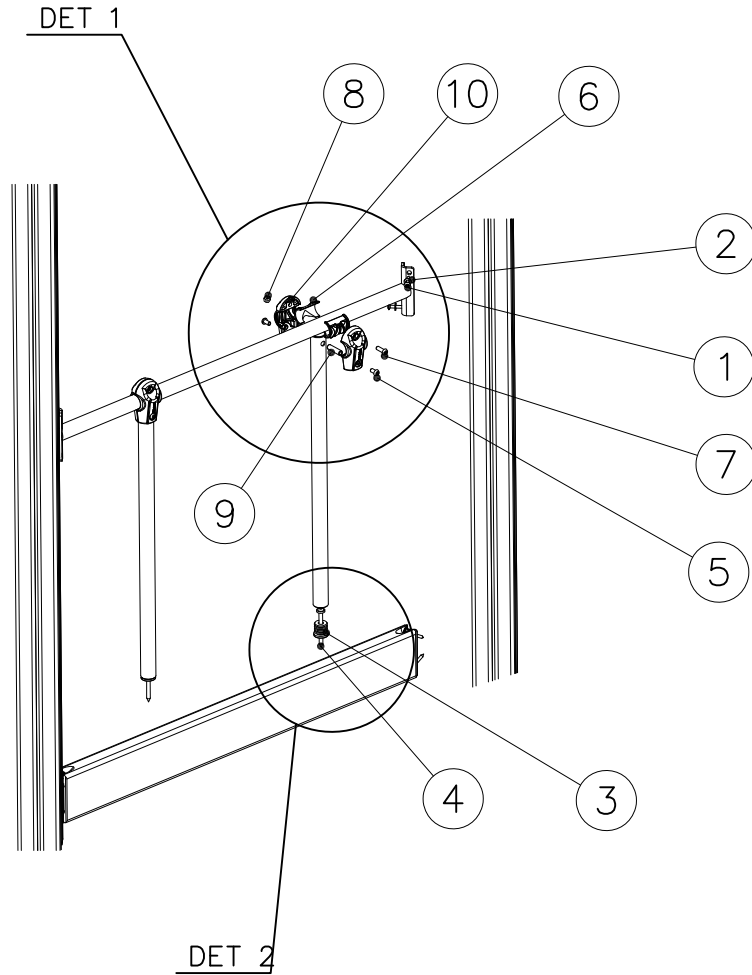
OPTION 1. No wall on the sides



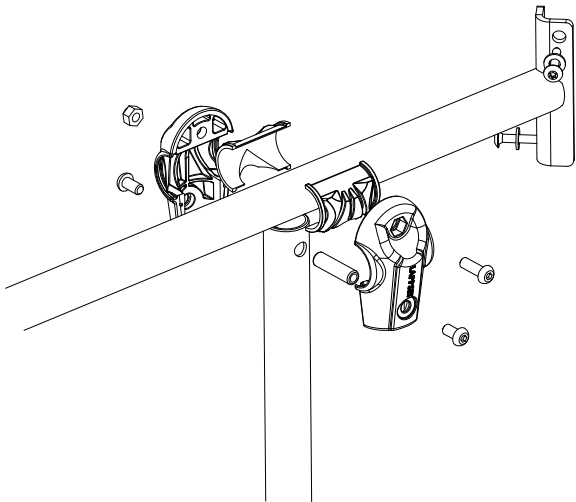
①	980128	PCS	②	909256	PCS
		4			4
	93x93x2150			Ø16/8.4	
③	908057	PCS	④	903093	PCS
		2			2
	Ø32/29-L5/30			Ø8x90	
⑤	900342	PCS	⑥	901900	PCS
		4			4
	M8x16			20.5x36.2x56	
⑦	909850	PCS	⑧	980150	PCS
		2			2
	M8x25			M8	
⑨	901182	PCS	⑩	901902	PCS
		2			4
	Ø11/M8x40			30.7x60.9x100	
		PCS			PCS
		PCS	○	908044	PCS
					2
				Ø33.7x679	
○	911529	PCS	○	907920	PCS
		1			1
		OR			

OPTION 2. Wall on either side (move vertical bar 70mm)

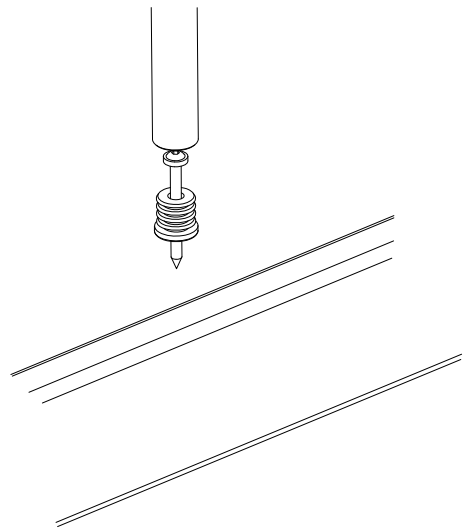


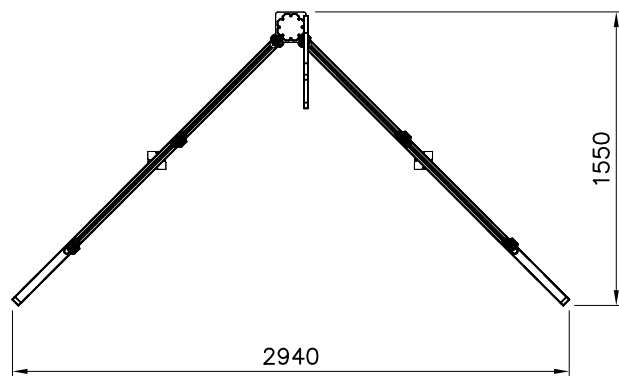
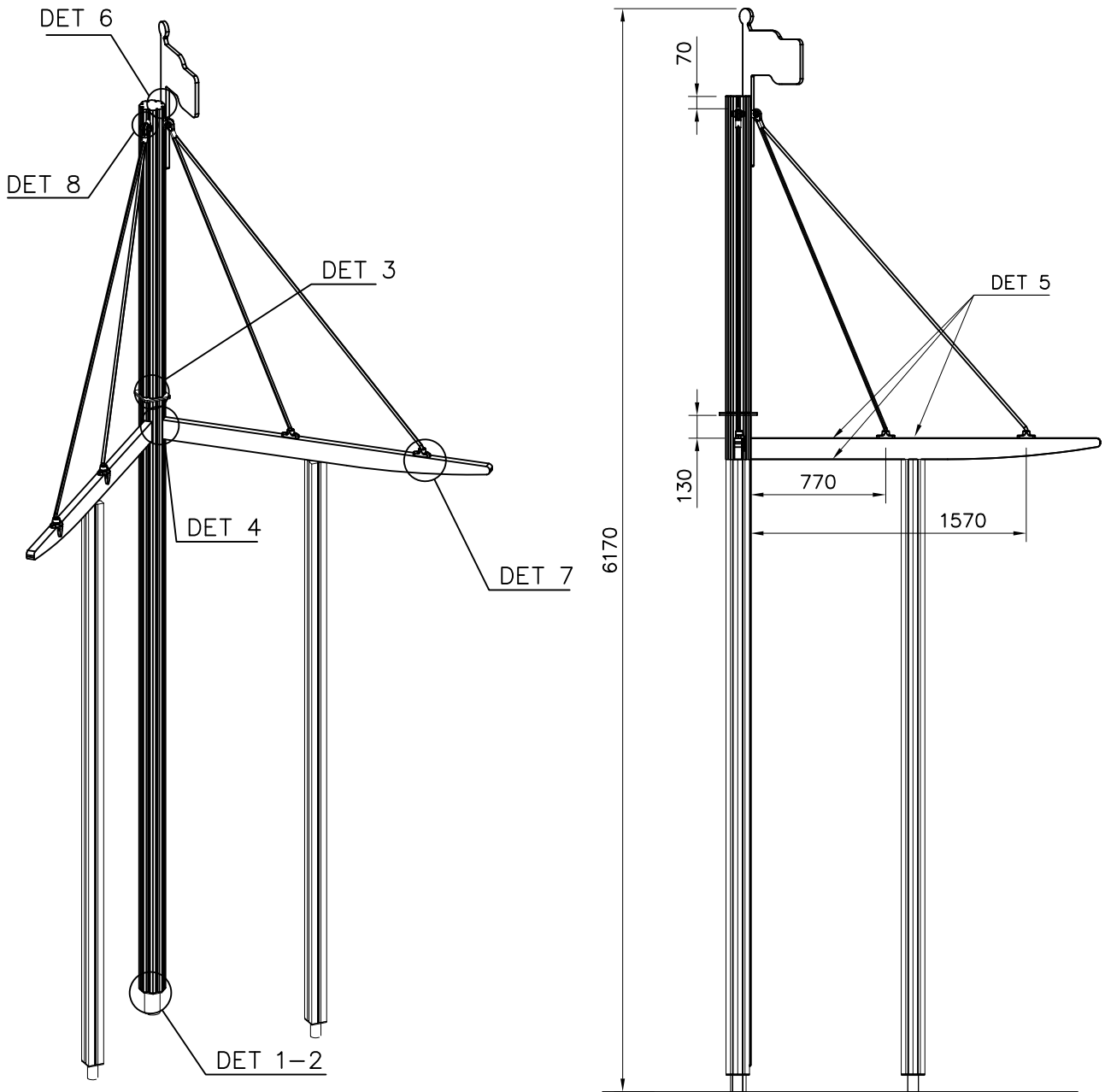


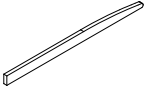
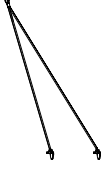




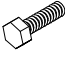

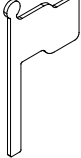









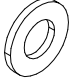
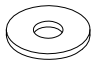
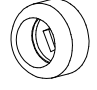
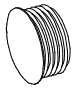
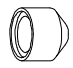
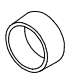
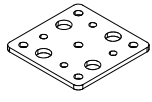
DET 1



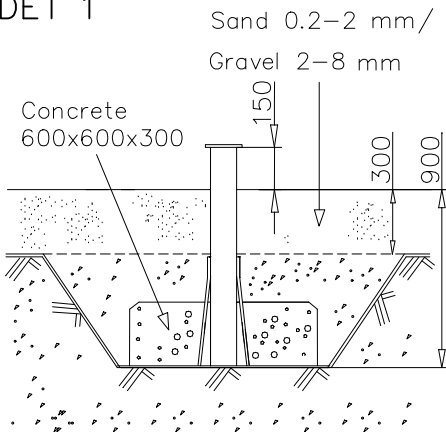
DET 2



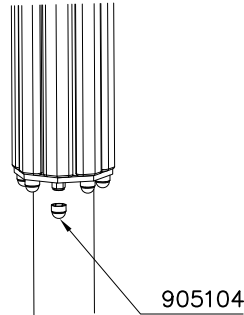


① 704944  45x120x2000	PCS 2	② 707611 	PCS 2	①⑦ 909097  M8x60	PCS 2	①⑧ 909230  8x150	PCS 2
③ 707619  140x140x3700	PCS 1	④ 707620  140x140x1800	PCS 1	①⑨ 909349  M12x40	PCS 4	②⑩ 909561 	PCS 2
⑤ 707621  21x489x900	PCS 1	⑥ 900240  Ø8x70	PCS 3	②① 980123  Ø7x60	PCS 12	②② 980128  Ø7x40	PCS 4
⑦ 902234  M12	PCS 4	⑧ 903093  Ø8x90	PCS 4	②③ 980150  M8	PCS 2	②④ 980151  Ø16/8.4	PCS 8
⑨ 903113  1050	PCS 1	⑩ 903533  SRL12 TO Ø9	PCS 2	②⑤ 980165  Ø24/13	PCS 8		PCS
⑪ 905051  Ø24/8.4	PCS 2	⑫ 905083  Ø32	PCS 4		PCS		PCS
⑬ 905103  PT-28/32-H	PCS 4	⑭ 905104  M10	PCS 8		PCS		PCS
⑮ 905112  Ø22	PCS 4	⑯ 908058  8x160x160	PCS 2		PCS		PCS

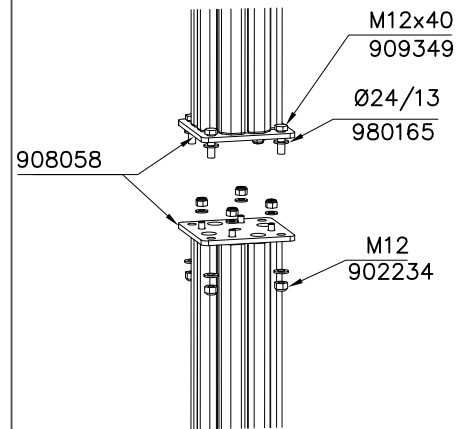
DET 1



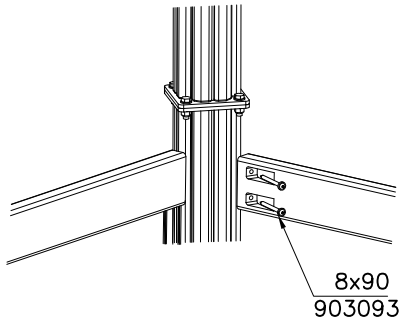
DET 2



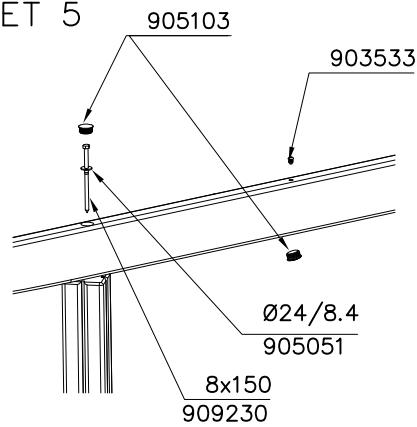
DET 3



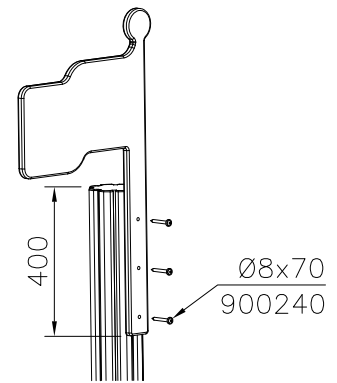
DET 4



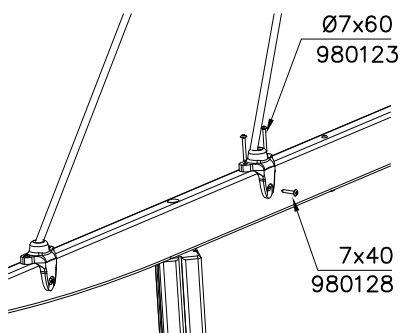
DET 5



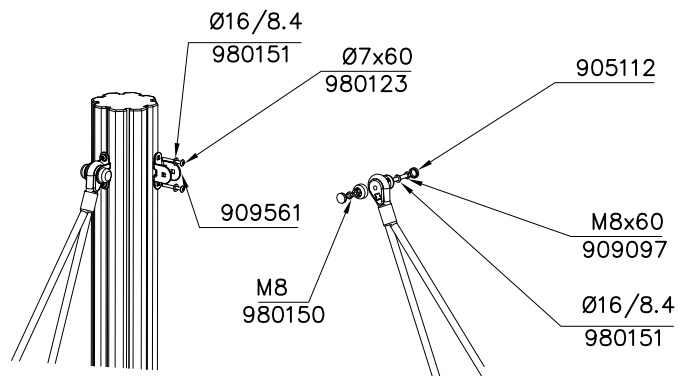
DET 6

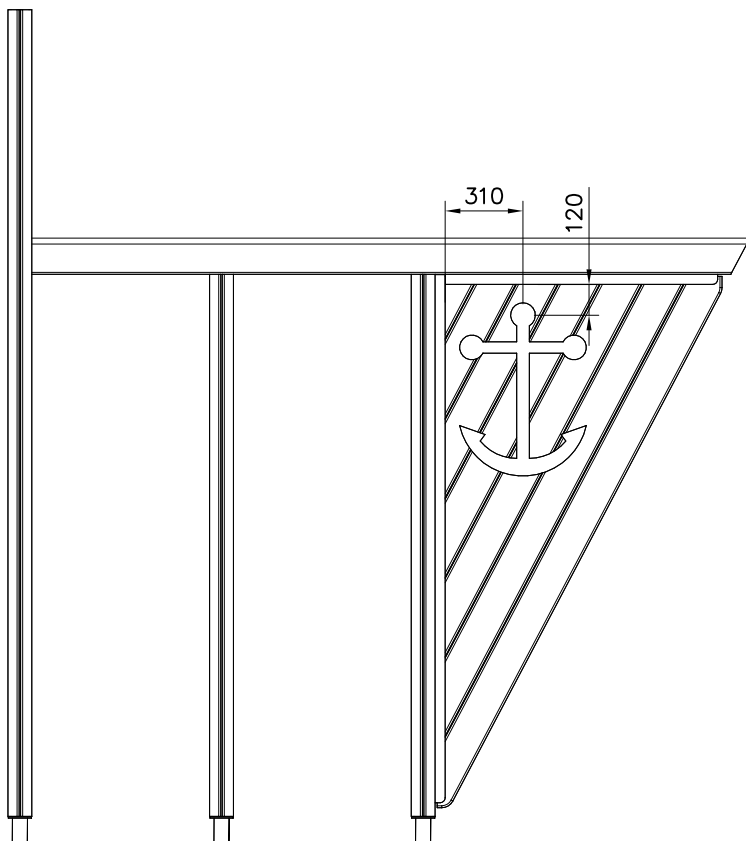
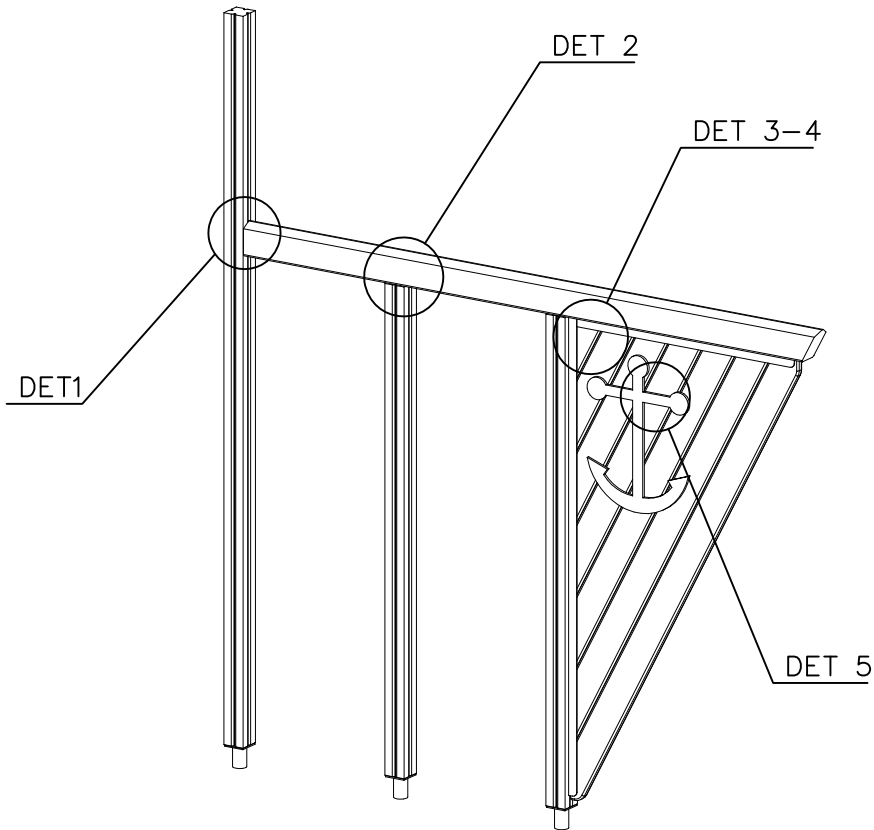








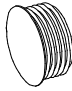
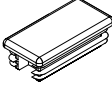


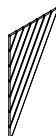


DET 7



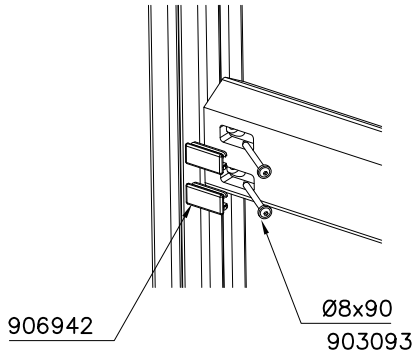
DET 8



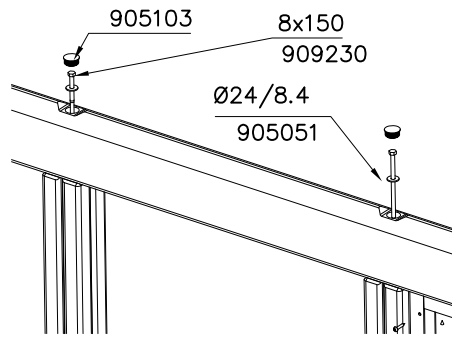


①	980122	PCS	②	980131	PCS
		14			10
					
	Ø5x30			Ø6x60	
③	980128	PCS	④	903093	PCS
		12			2
					
	Ø7x40			Ø8x90	
⑤	909230	PCS	⑥	905051	PCS
		2			2
					
	8x150			Ø24/8.4	
⑦	905103	PCS	⑧	906942	PCS
		2			2
					
	PT-28/32-H			IRR30601.5-3S	
		PCS			PCS
○	704868	PCS	○	707633	PCS
		2			1
					
	12x503x687			90x145x2855	
○	707653	PCS	○	929325	PCS
		1			1
					
	32x1130x2110			40x40x1080	
○	929326	PCS			PCS
		1			
					
	40x40x3x2095				

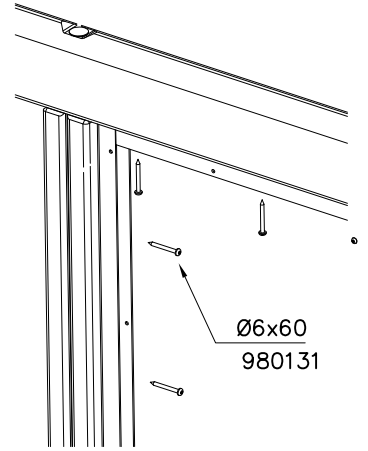
DET 1



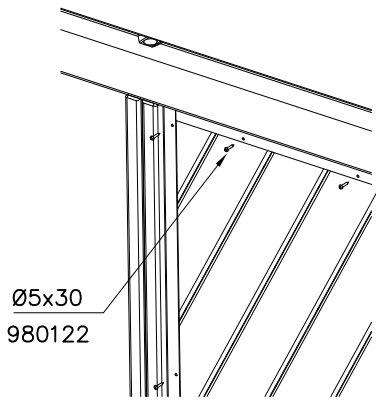
DET 2



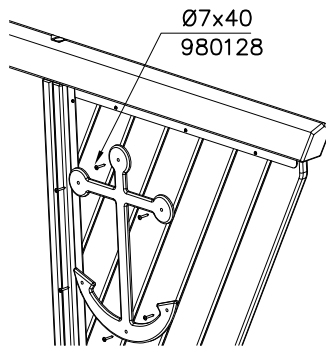
DET 3



DET 4

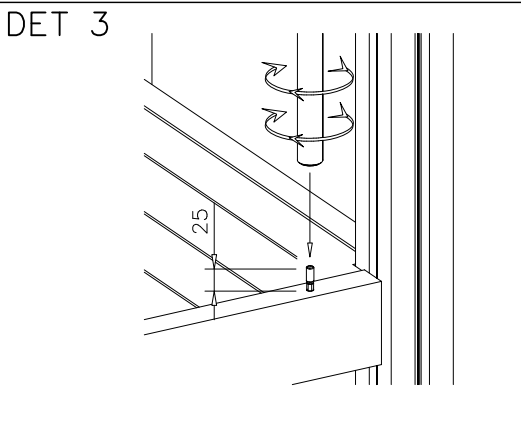
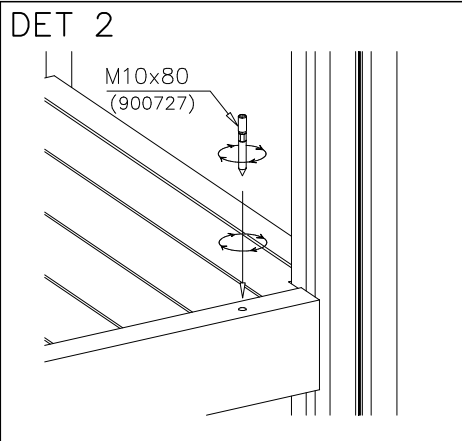
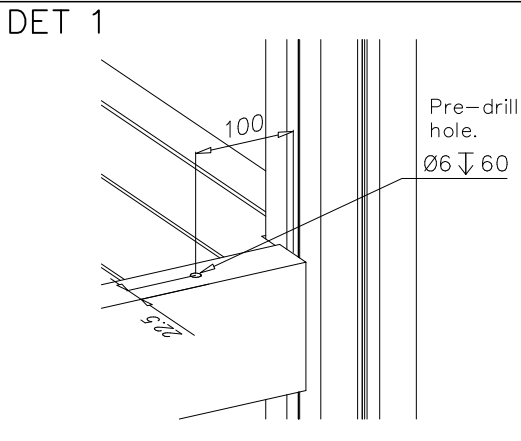



DET 5

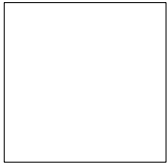




① 900240	PCS	② 900727	PCS
	1		1
Ø8x70		M10x80	
	PCS		PCS
③ 907688	PCS	③ 907701	PCS
	1		1
765		545	
	PCS		PCS
	PCS		PCS
	PCS		PCS
	PCS		PCS

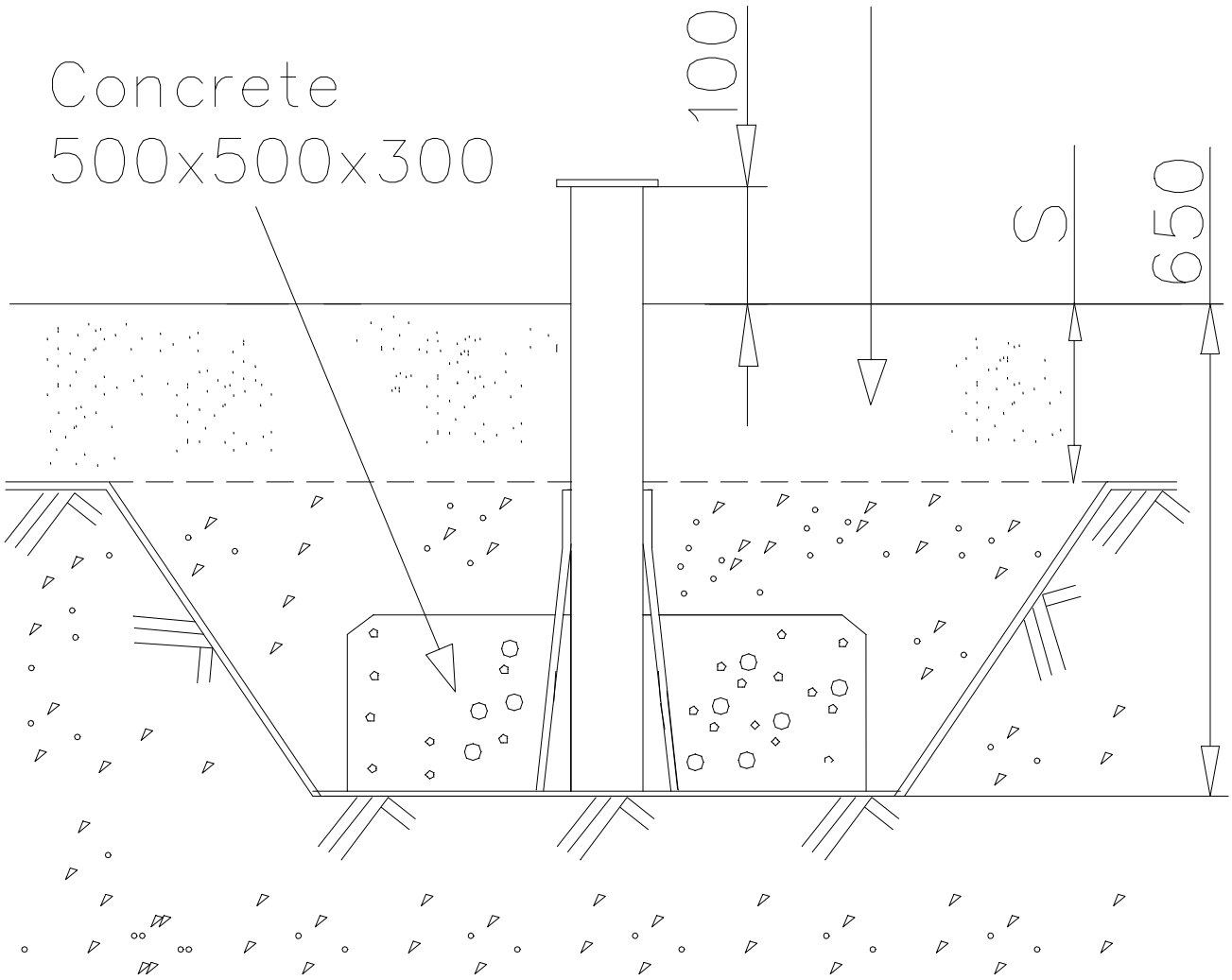


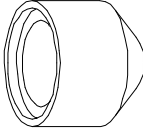
○ 903112	PCS		PCS
	1		
L 750			

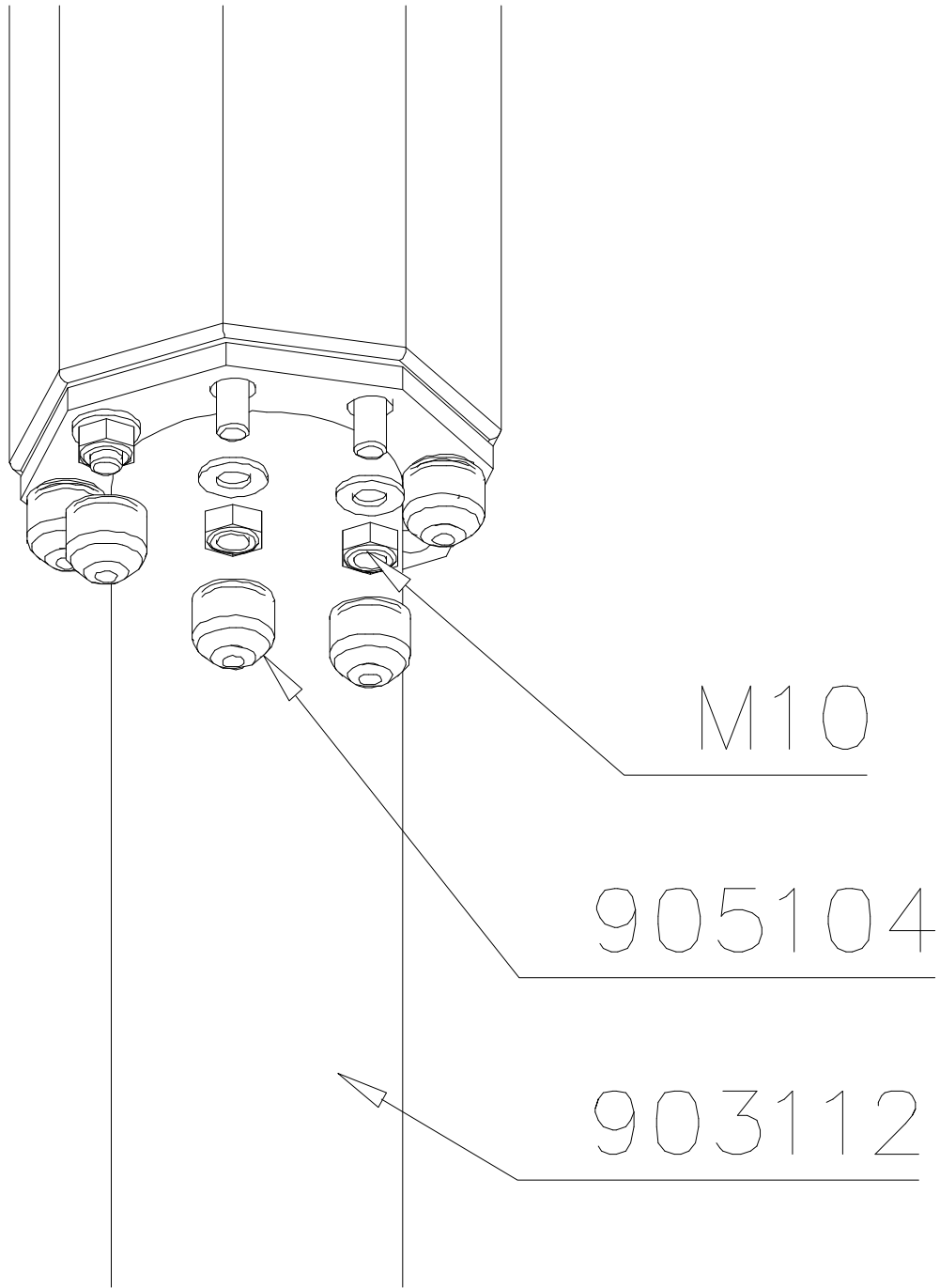


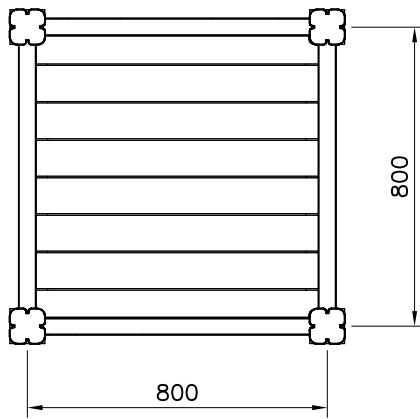
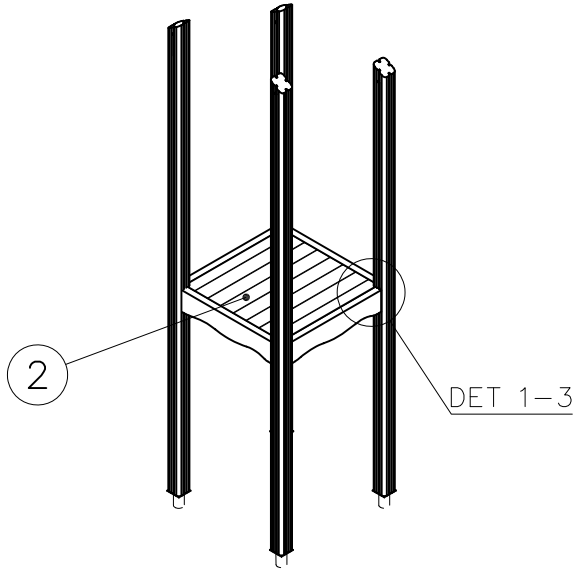
Sand 0.2–2 mm/
 Gravel 2–8 mm

Concrete
 500x500x300



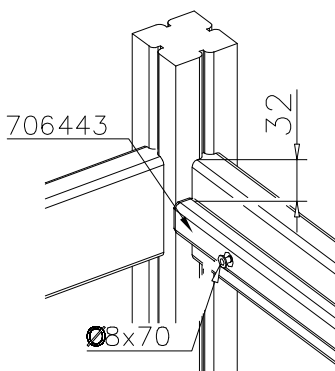
① 905104	PCS		PCS
	8		
M10			



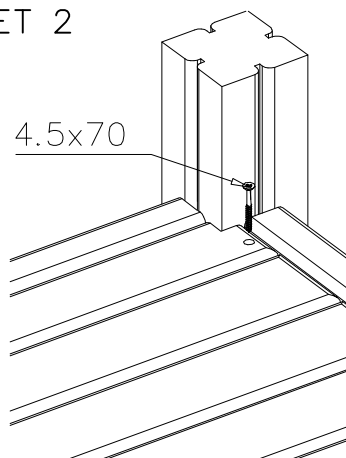


① 706443	PCS	② 705257	PCS
	2		1
32x45x702		32x750x750	
③ 900240	PCS	④ 980101	PCS
	6		8
Ø8x70		Ø4.5x70	
	PCS		PCS
	PCS		PCS

DET 1



DET 2



DET 3

