

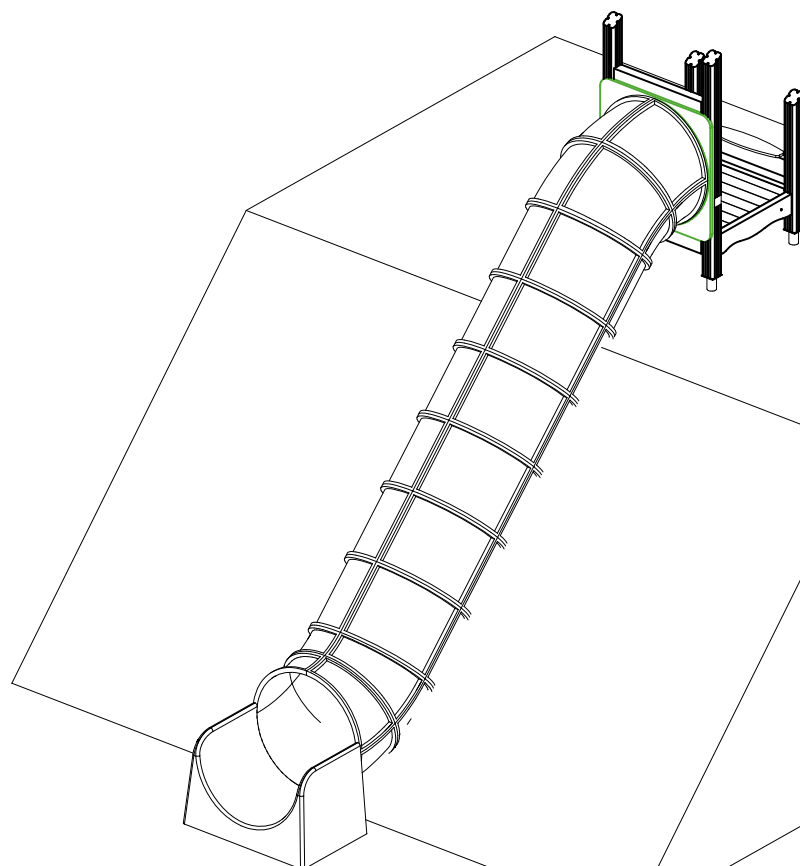
LAPPSET®

FLORA

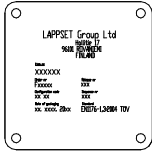
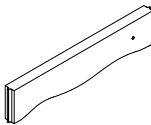
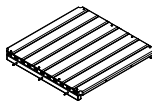


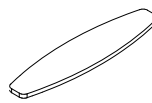
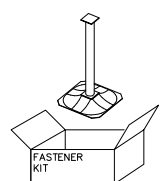
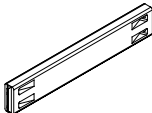
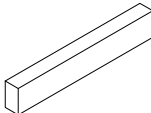
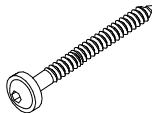
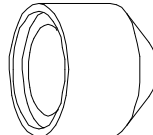

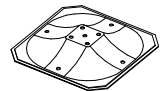
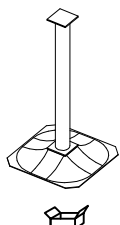

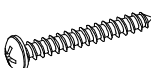
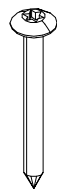
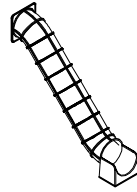


ASENNUSOHJE
MONTERINGSANSVISNING
INSTALLATION INSTRUCTION
AUFBAUANLEITUNG
NOTICE D'INSTALLATION

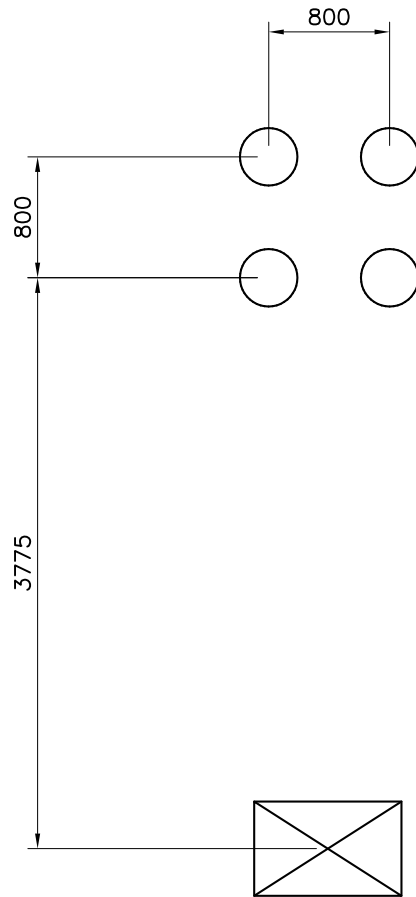
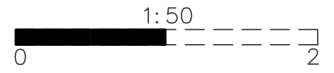
DATE: 8.2.2023

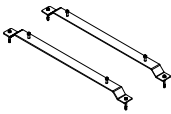

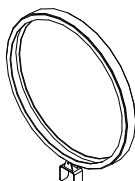

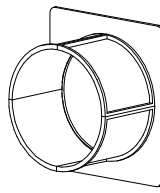
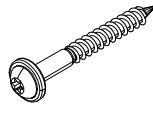
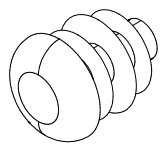

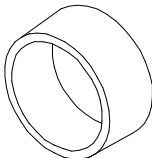
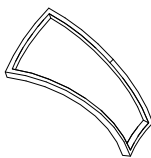
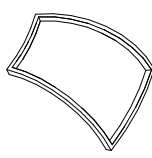
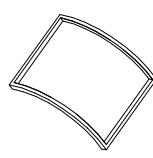
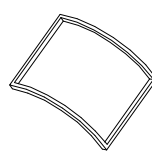

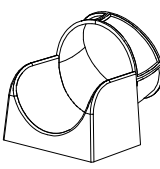
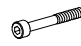
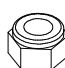

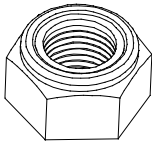
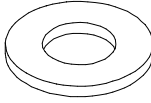
Q16998

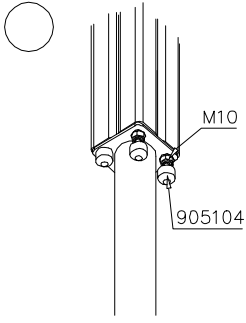
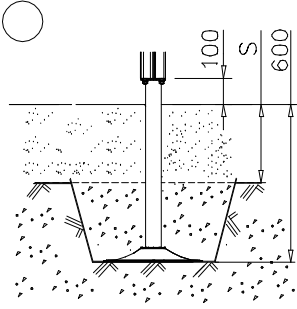


DATE: 8.2.2023

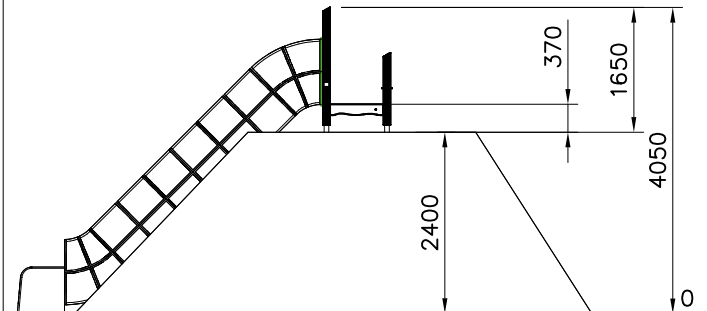
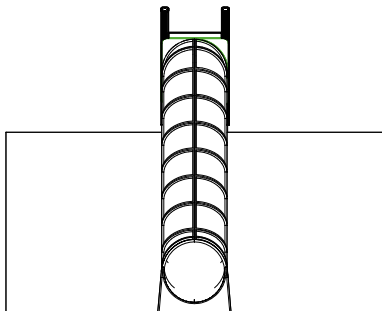
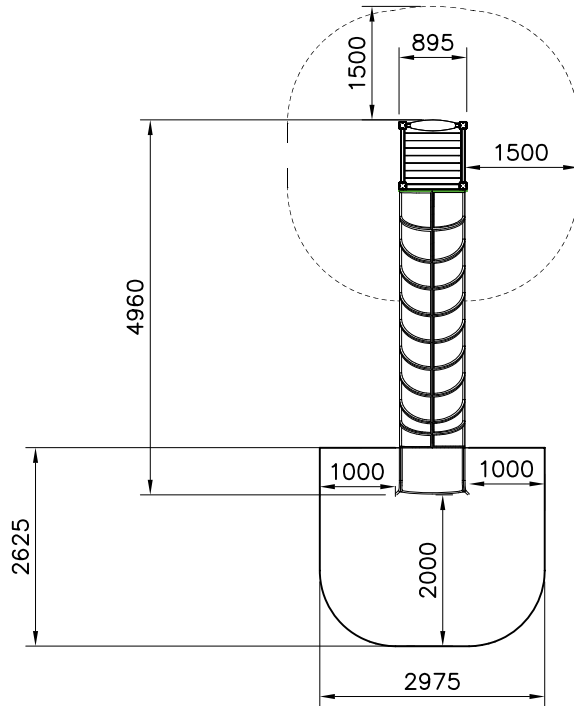
<p>702286</p>  <p>65x65</p>	<p>PCS</p> <p>1</p>	<p>705211</p>  <p>L=724</p>	<p>PCS</p> <p>3</p>	<p>705258</p>  	<p>PCS</p> <p>1</p>	<p>706193</p>  <p>L=946</p>	<p>PCS</p> <p>2</p>	<p>706453</p>  <p>15x145x600</p>	<p>PCS</p> <p>1</p>	<p>706531</p>  <p>FASTENER KIT</p>	<p>PCS</p> <p>2</p>
<p>708746</p>  <p>L 724</p>	<p>PCS</p> <p>1</p>	<p>709119</p>  <p>68x120x704</p>	<p>PCS</p> <p>2</p>	<p>903093</p>  <p>Ø8x90</p>	<p>PCS</p> <p>24</p>	<p>905104</p>  <p>M10</p>	<p>PCS</p> <p>8</p>	<p>909511</p>  <p>90x90x650</p>	<p>PCS</p> <p>2</p>	<p>909519</p>  <p>50x380x380</p>	<p>PCS</p> <p>2</p>
<p>909521</p>  	<p>PCS</p> <p>2</p>	<p>980114</p>  <p>Ø4x20</p>	<p>PCS</p> <p>4</p>	<p>980123</p>  <p>Ø7x60</p>	<p>PCS</p> <p>4</p>	<p>A10338-1</p>  	<p>PCS</p> <p>1</p>	<p>P07526</p>  <p>L=1546</p>	<p>PCS</p> <p>2</p>		<p>PCS</p>
	PCS		PCS		PCS		PCS		PCS		PCS
	PCS		PCS		PCS		PCS		PCS		PCS
	PCS		PCS		PCS		PCS		PCS		PCS
	PCS		PCS		PCS		PCS		PCS		PCS

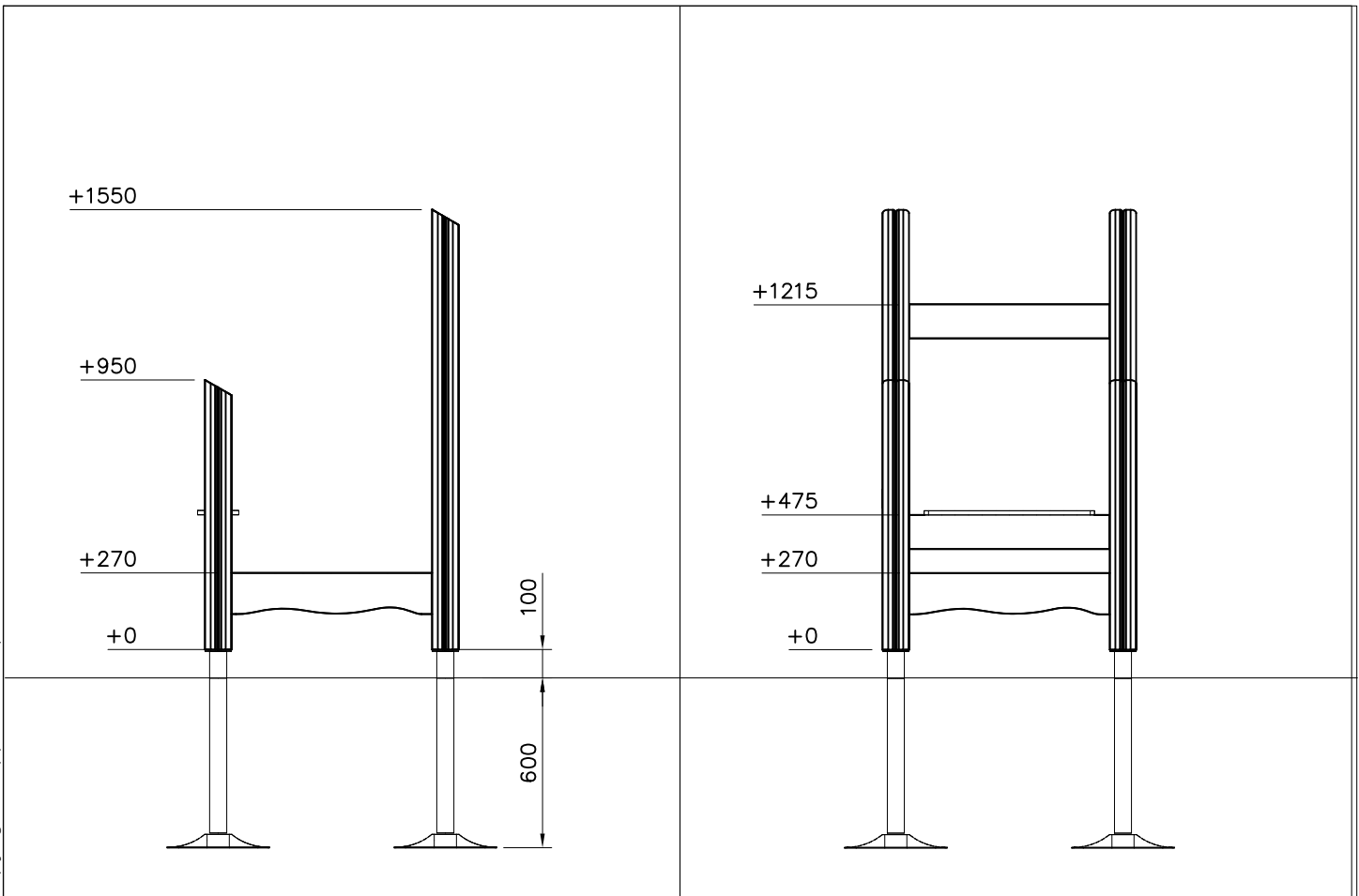
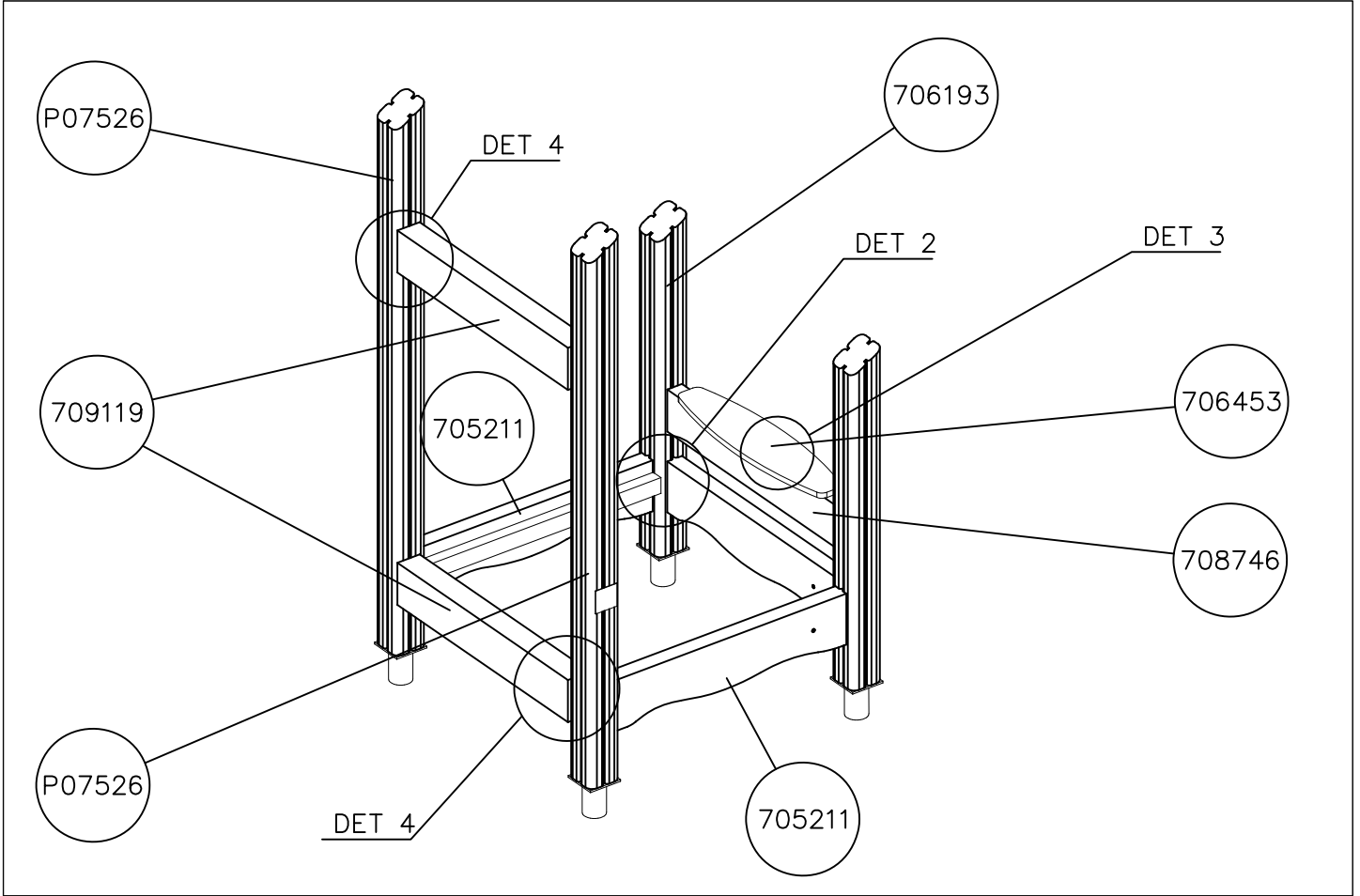


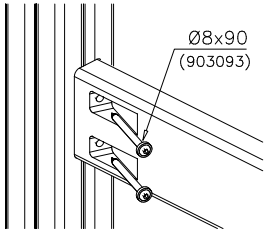
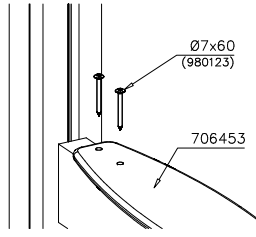
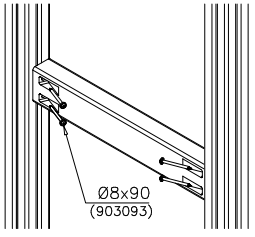
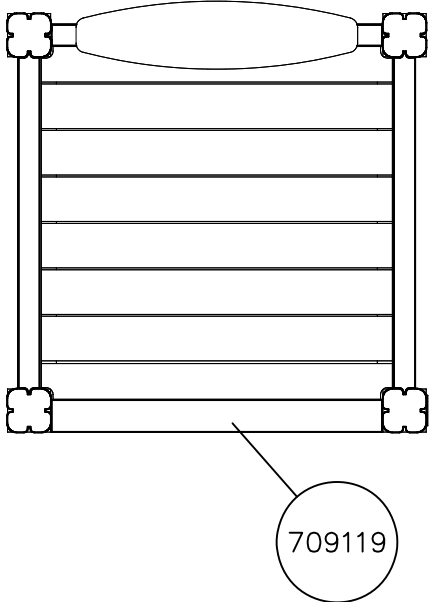
702016  	PCS 1	004914  	PCS 2	707918-703 	PCS 1	900240  Ø8x70	PCS 14	903533 	PCS 6	905086  Ø44/13.5	PCS 4
905112  BLACK Ø22	PCS 992	905801  GREY	PCS 16	905811  GREY	PCS 16	905821  GREY	PCS 32	905829  TRANSPARENT	PCS 4	905831  BLACK	PCS 920
905850 	PCS 1		PCS		PCS	909205  8x60	PCS 460	909248  M12	PCS 4	909274  8x30	PCS 4
980150  M8	PCS 464	980151  Ø16/8.4	PCS 8		PCS		PCS		PCS		PCS
	PCS		PCS		PCS		PCS		PCS		PCS
	PCS		PCS		PCS		PCS		PCS		PCS
	PCS		PCS		PCS		PCS		PCS		PCS

- EN/AS Impact Area 7.4 m²
- Falling Space 20.3 m²
- Max Falling Height 1000 mm

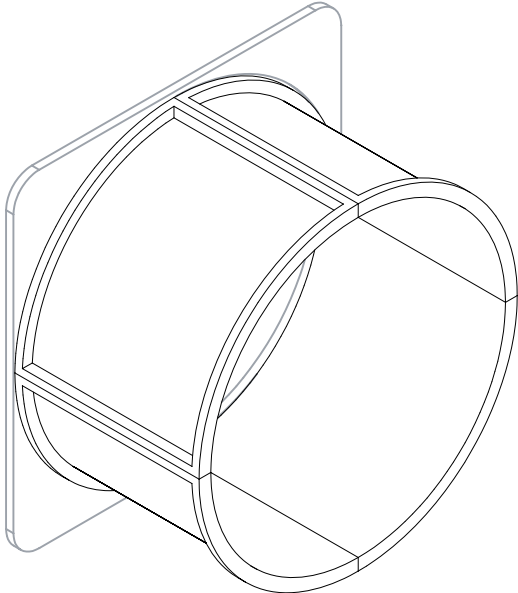
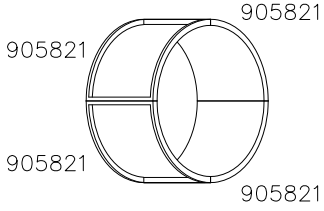
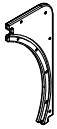





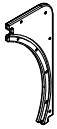





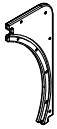





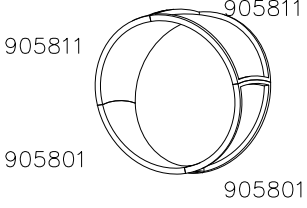



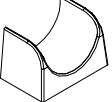





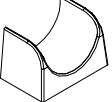






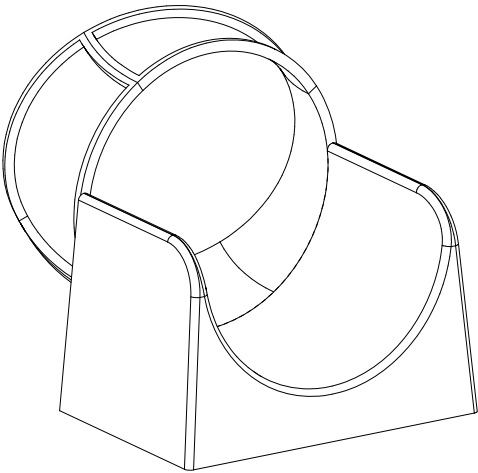



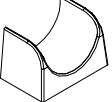






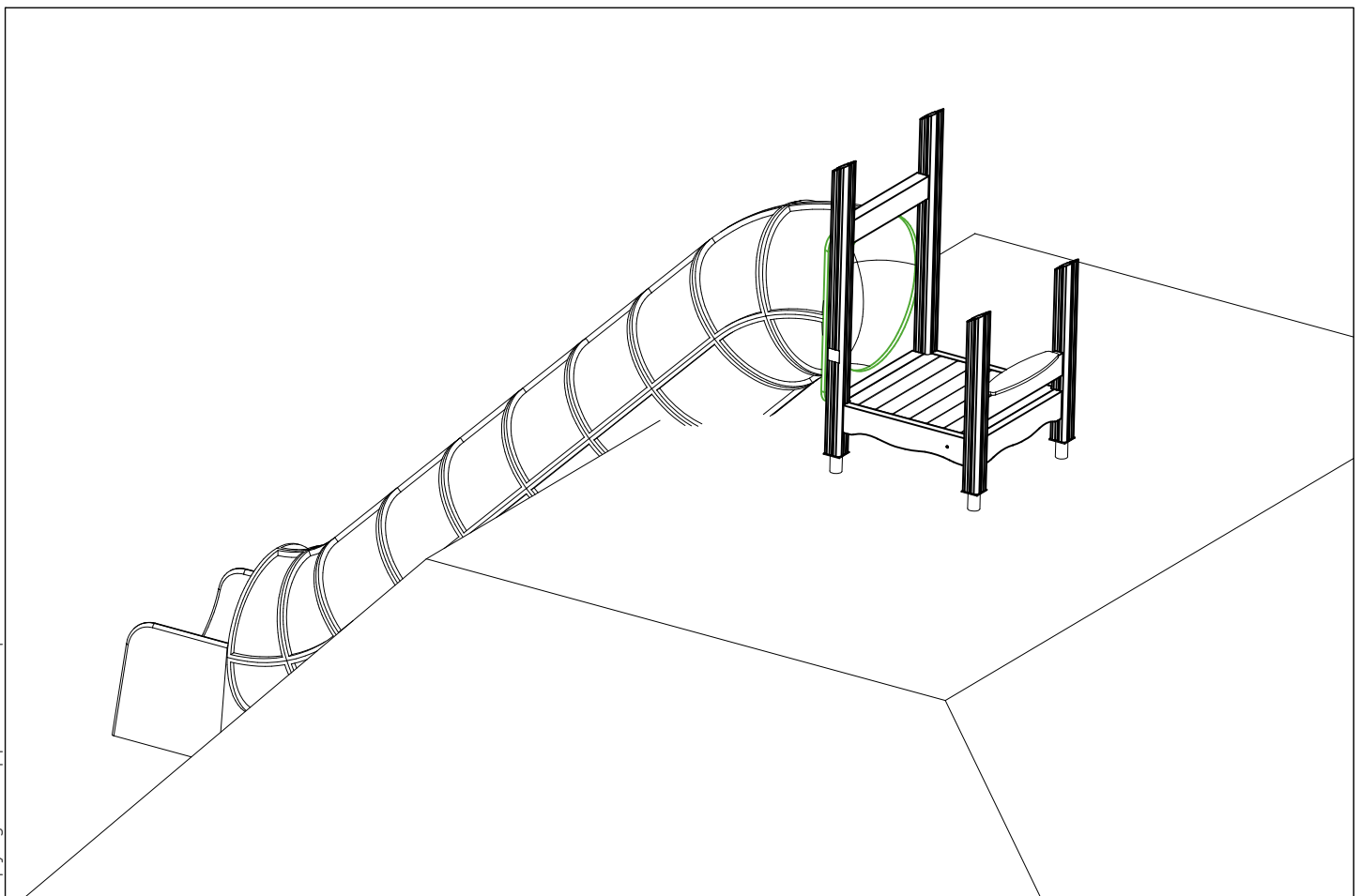
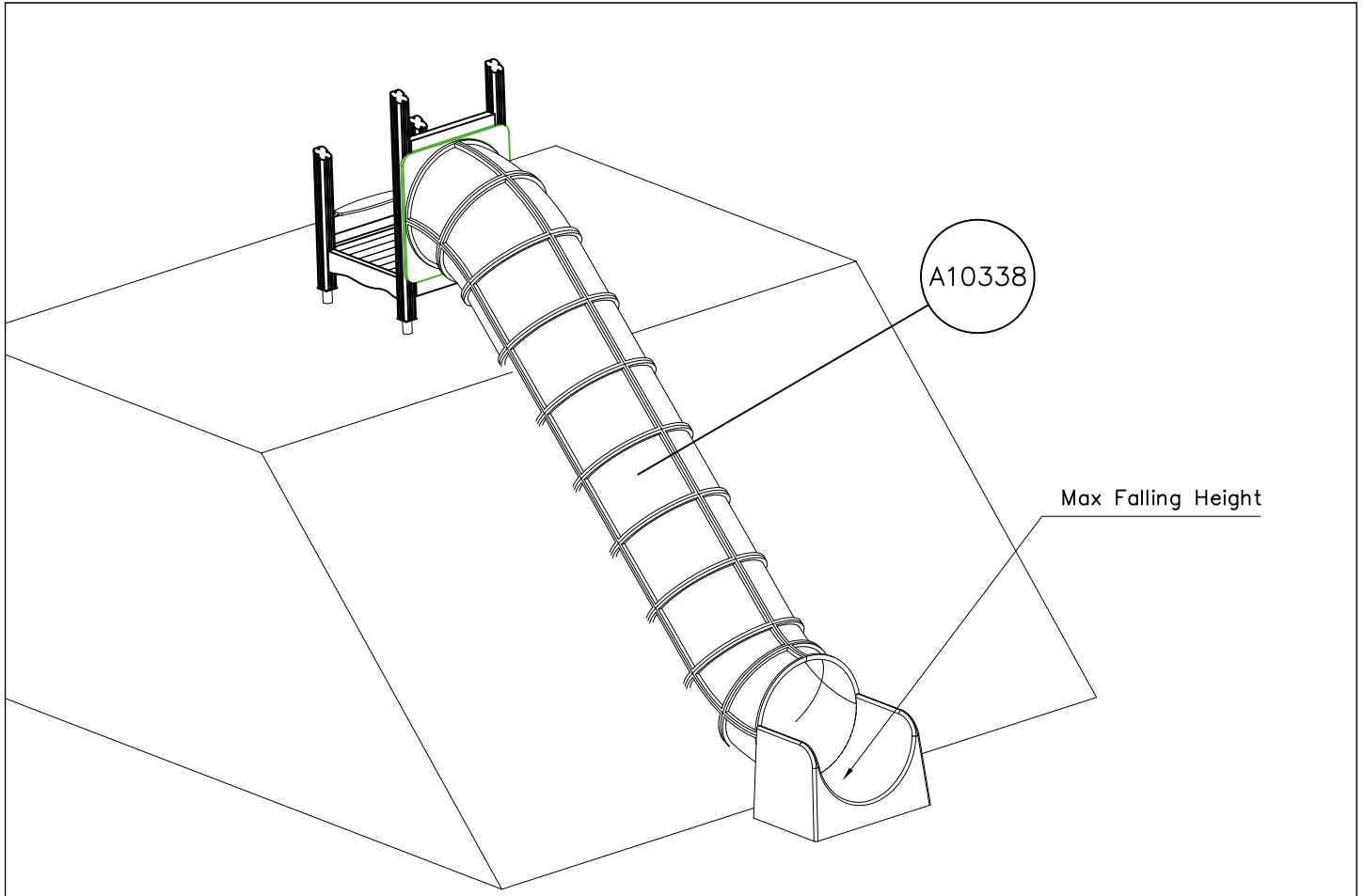


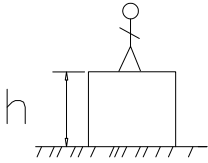



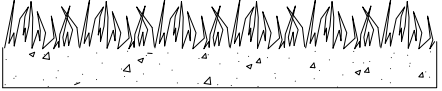
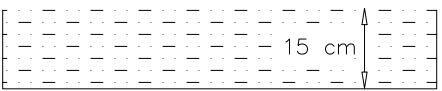
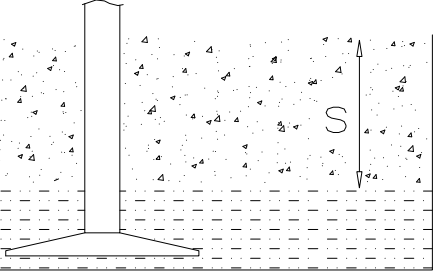
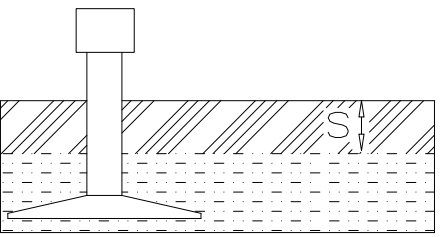
DET 1	DET 2 	DET 3 	DET 4 
DET 4 			

Valmiiksi kasattujen osien osakokoonpanot ja vara-osa listat.

Ready installed component subassemblies and spare part list.

	<div style="text-align: center;"> <p>2</p>  </div> <table border="1" data-bbox="895 931 1469 1312"> <tr> <td>707918-703 </td> <td>909205 x 12 </td> <td>980150 x 12 </td> </tr> <tr> <td>905831 x 40 </td> <td>909208 x 16 </td> <td>909119 x 16 </td> </tr> </table>			707918-703 	909205 x 12 	980150 x 12 	905831 x 40 	909208 x 16 	909119 x 16 	
707918-703 	909205 x 12 	980150 x 12 								
905831 x 40 	909208 x 16 	909119 x 16 								
<div style="text-align: center;"> <p>22</p>  </div> <table border="1" data-bbox="172 1727 746 2101"> <tr> <td>909205 x 16 909206 x 8 </td> <td>980150 x 16 </td> <td>905831 x 32 </td> </tr> <tr> <td>905850 </td> <td>909208 x 8 </td> <td>980151 x 8 </td> </tr> </table> <p>Position of the box: 34 degrees</p>	909205 x 16 909206 x 8 	980150 x 16 	905831 x 32 	905850 	909208 x 8 	980151 x 8 	<table border="1" data-bbox="555 1346 746 2101"> <tr> <td>909252 x 13 </td> </tr> <tr> <td>700413 x 1 </td> </tr> </table>	909252 x 13 	700413 x 1 	
909205 x 16 909206 x 8 	980150 x 16 	905831 x 32 								
905850 	909208 x 8 	980151 x 8 								
909252 x 13 										
700413 x 1 										



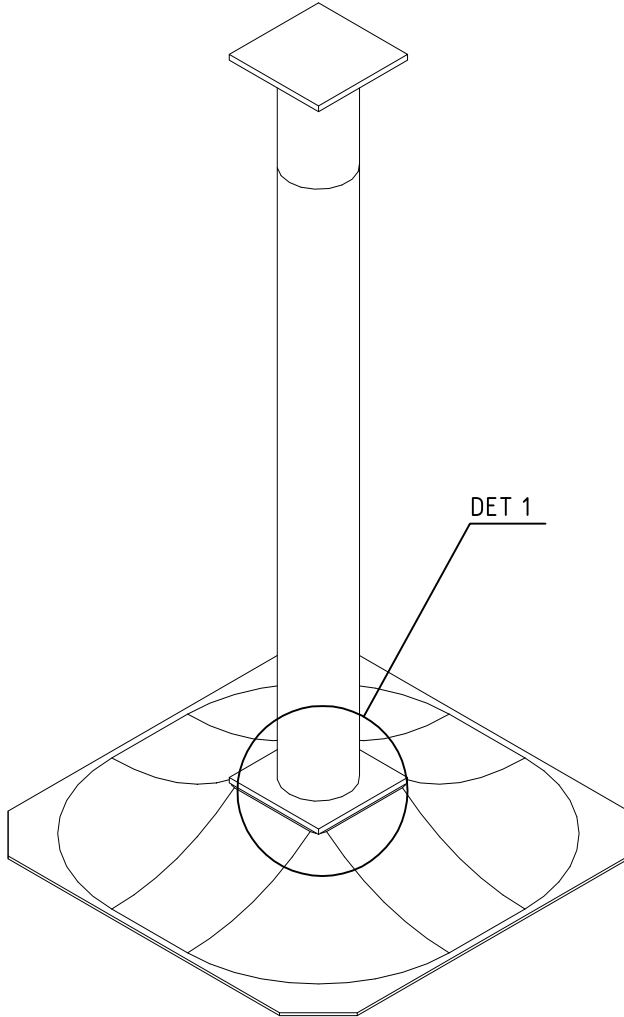
		
<p>$h < 600$</p> <p>Without movement and therefore without Impact Area</p>	<p>Totally hard surfaces.</p> <p>Note. Lappset does <u>not recommend</u> totally hard surfaces at all.</p>	<p>E.g. concrete or asphalt</p> 
<p>$h < 600$</p> <p>With movement e.g. rocking</p>	<p>Materials with very limited impact attenuating properties.</p>	<p>E.g. wood</p> 
<p>$h < 1000$</p>	<p>Materials with significant impact attenuating properties.</p>	<p>fine gravel 0–8 mm</p>  <p>grass</p>  <p>unsorted sand</p> 
<p>$h < 3000$</p>	<p>Loose fill material</p> <p>E.g. sand/gravel 0,25...8 mm D60/D10<3,0 Woodchips 5...30 mm bark 20...80 mm</p>	 <p>\underline{S} \underline{h}</p> <p>30 cm < 2,0 m</p> <p>40 cm < 3,0 m</p>
	<p>Syntethic granulates</p> <p>\underline{S} \underline{h}</p> <p>40 mm ~> 1,2...1,3 m</p> <p>50 mm ~> 1,5...1,7 m</p> <p>60 mm ~> 1,8...2,0 m</p> <p>70 mm ~> 2,1...2,5 m</p> <p>Note. For accurate values, see manufacturer's instructions.</p>	


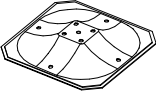


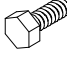
REMOVE SAFETY SURFACE/SAND/GRAVEL
TO CHECK FOUNDATION



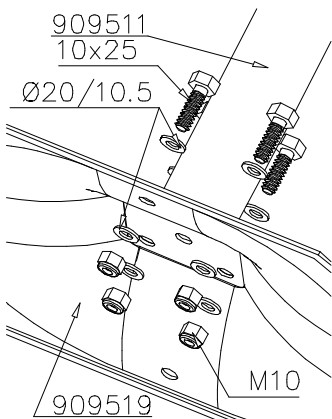
REMOVE SAFETY SURFACE/SAND/GRAVEL
TO CHECK FOUNDATION





①	909511	PCS	②	909519	PCS
		1			1
③	909637	PCS	④	909638	PCS
		4			8
	M10			Ø20/10.5	
⑤	909639	PCS			PCS
		4			
	M10x25				
		PCS			PCS
		PCS			PCS
		PCS			PCS
		PCS			PCS
		PCS			PCS

DET 1





LAPPSET®
BETON FOUNDATION

FOOT

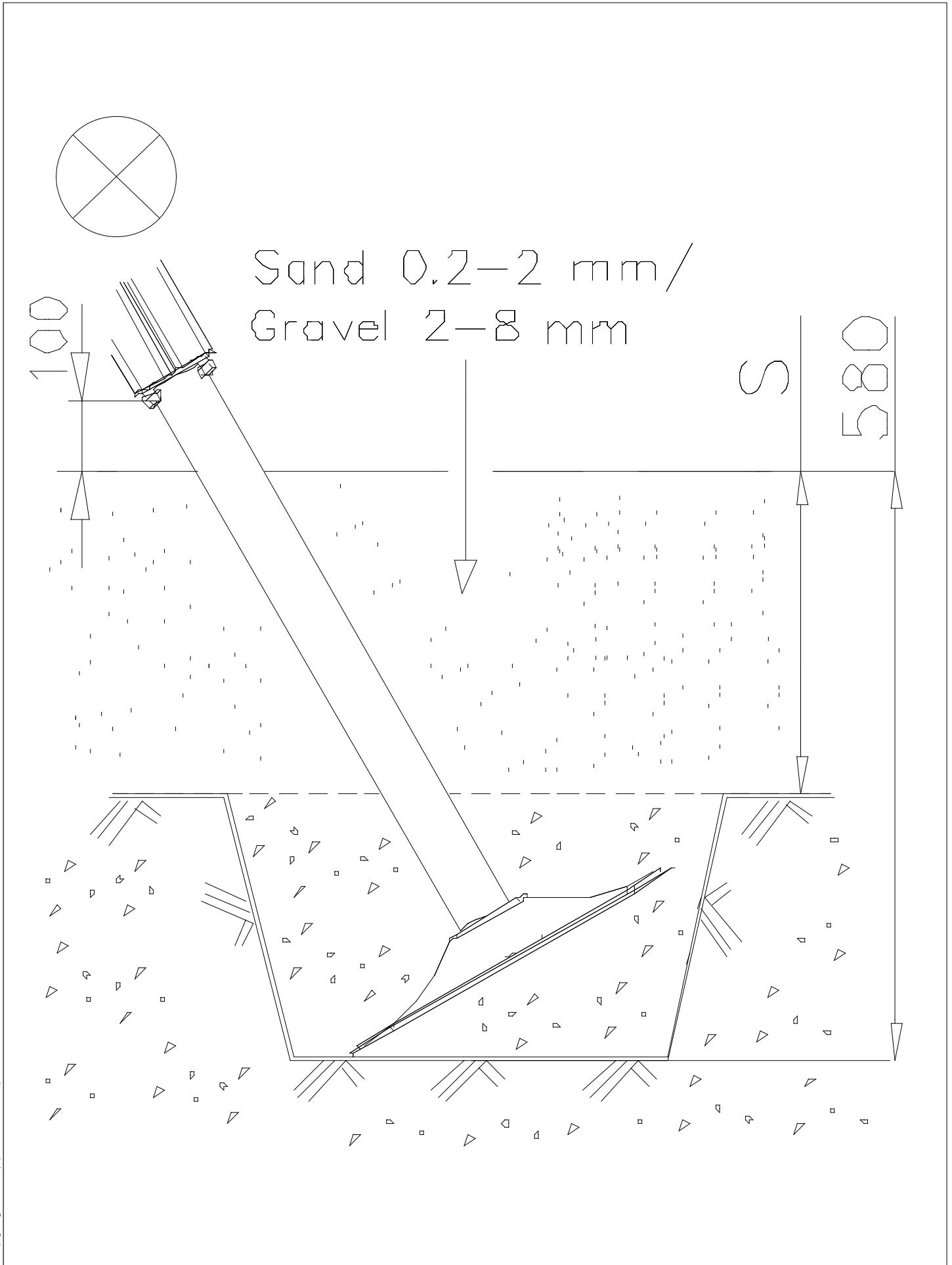
DATE: 27.10.2015

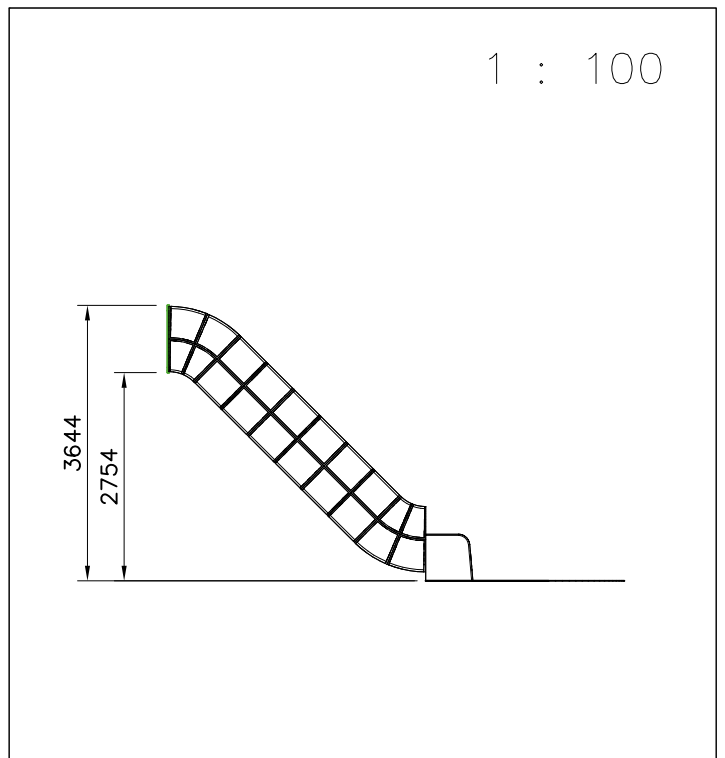
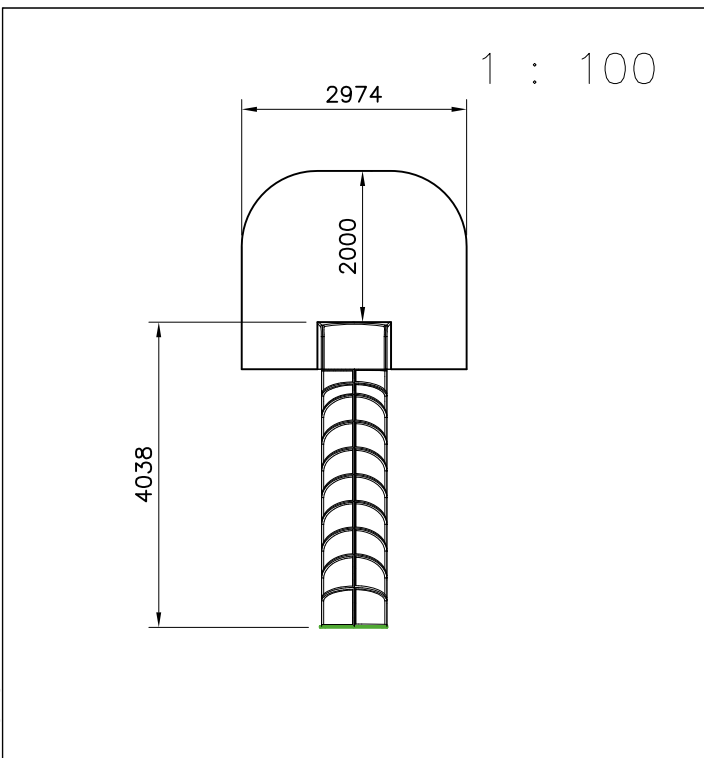
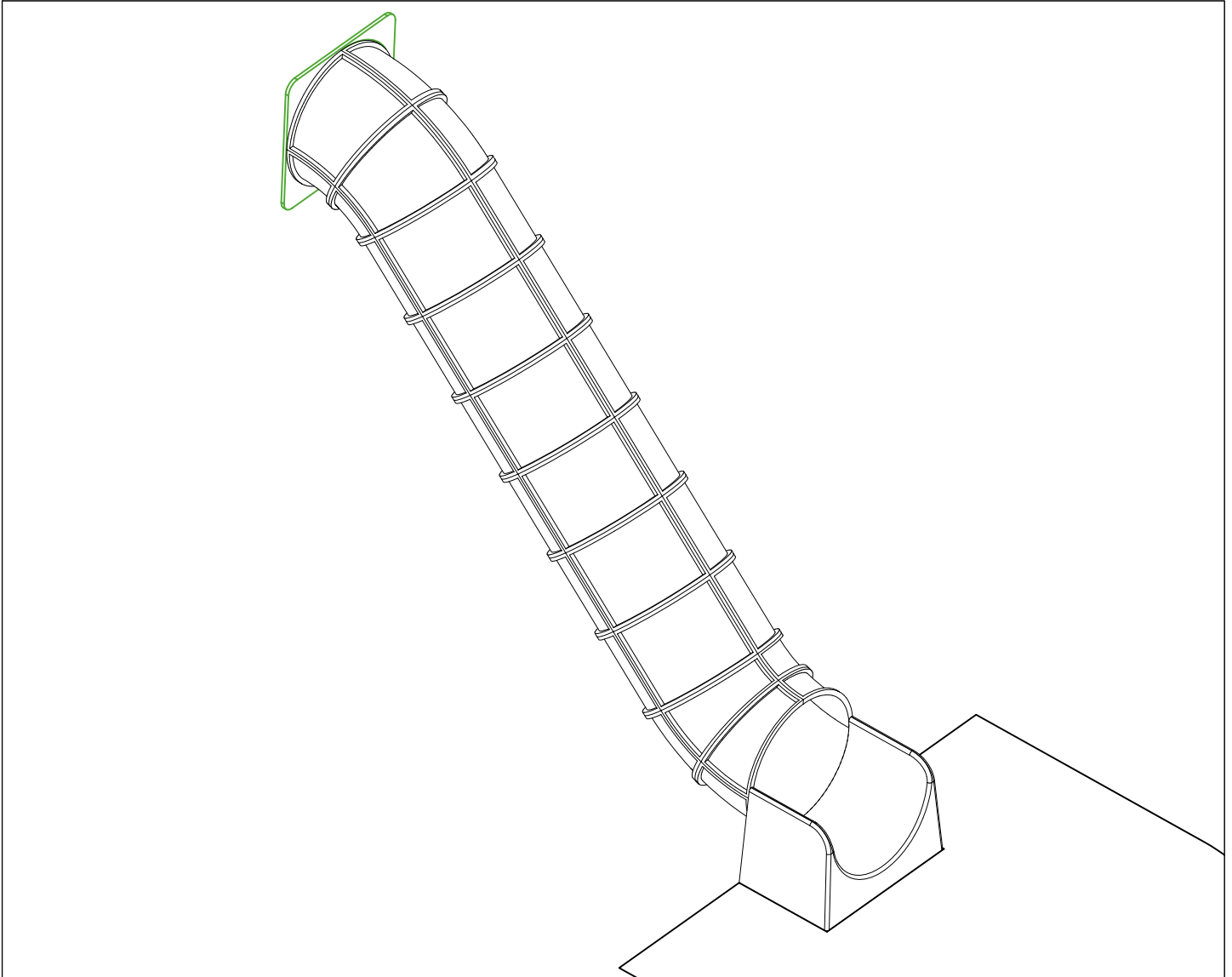
1(1)

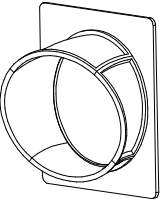
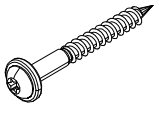
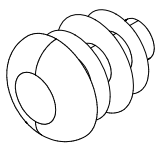

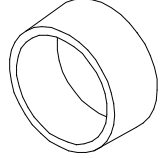
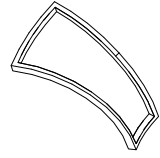
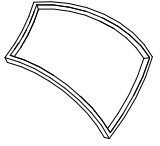
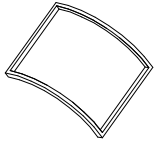
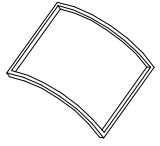

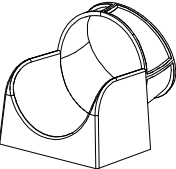

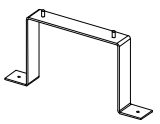
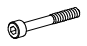

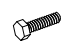
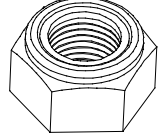
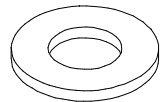
② 905104	PCS		PCS
	4		
 M10	PCS		PCS

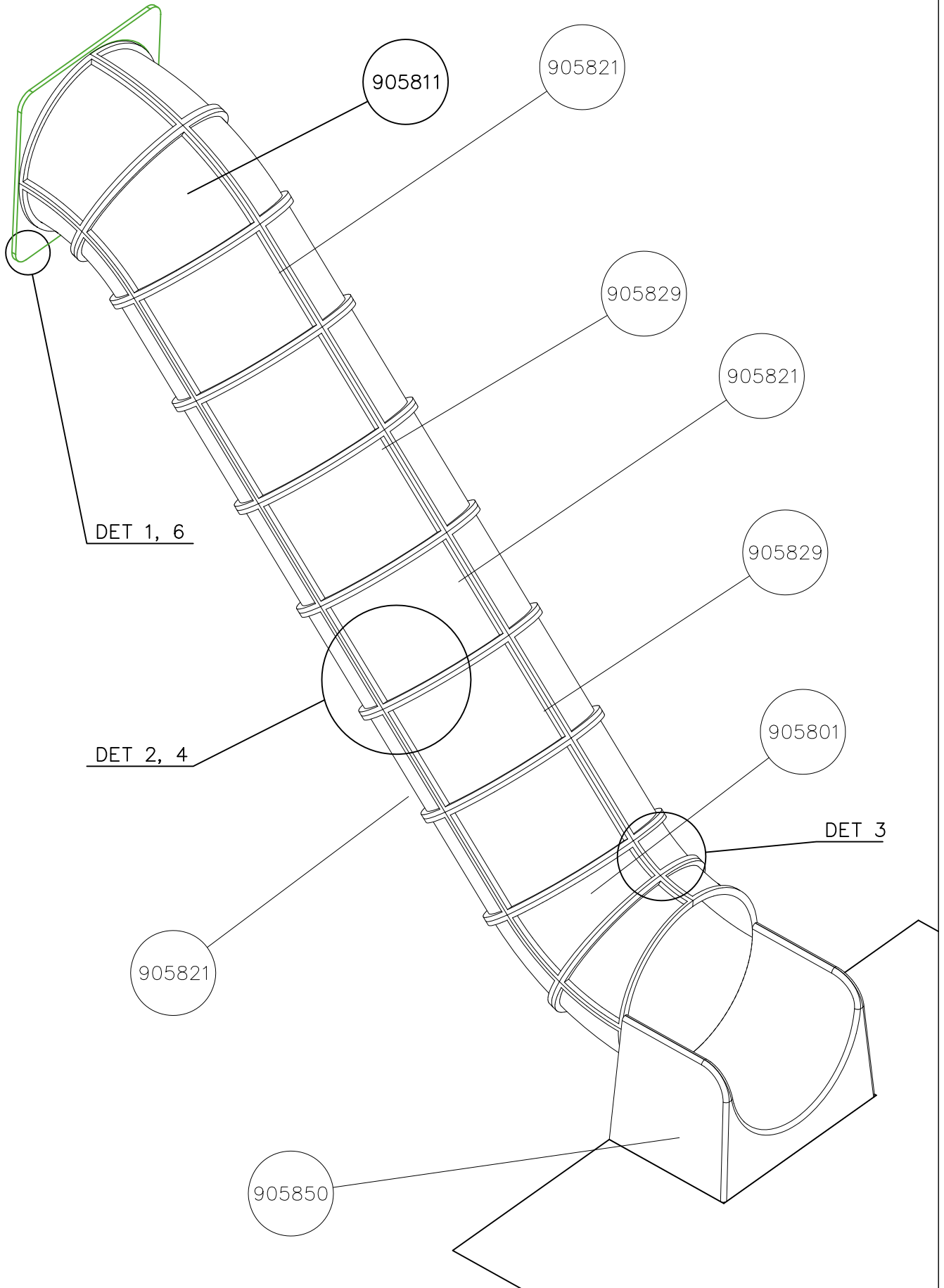


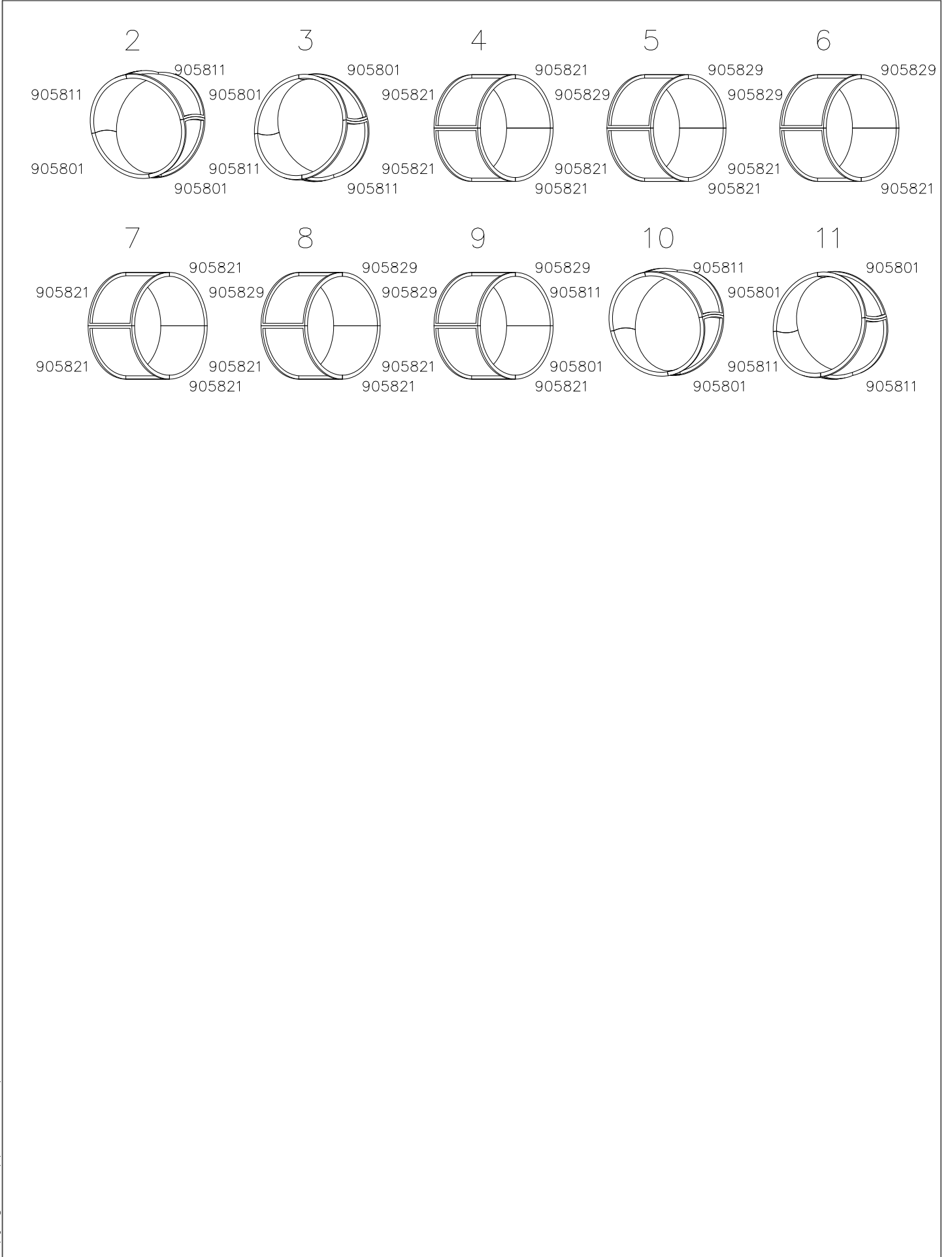
905104





707918-707	PCS 1	900240	PCS 14	903533	PCS 6	905086	PCS 4	905112	PCS 528	905801	PCS 4
											
		Ø8x70		SRL12		Ø44/13.5		BLACK Ø22		GREY	
905811	PCS 4	905821	PCS 16	905829	PCS 8	905831	PCS 464	905850	PCS 1	905859	PCS 2
											
GREY		GREY		TRANSPARENT		BLACK				6x80x850	
905860	PCS 2	909205	PCS 232	909248	PCS 4	909274	PCS 4	980150	PCS 236	980151	PCS 8
											
		8x60		M12		8x30		M8		Ø16/8.4	
	PCS		PCS		PCS		PCS		PCS		PCS
	PCS		PCS		PCS		PCS		PCS		PCS
	PCS		PCS		PCS		PCS		PCS		PCS

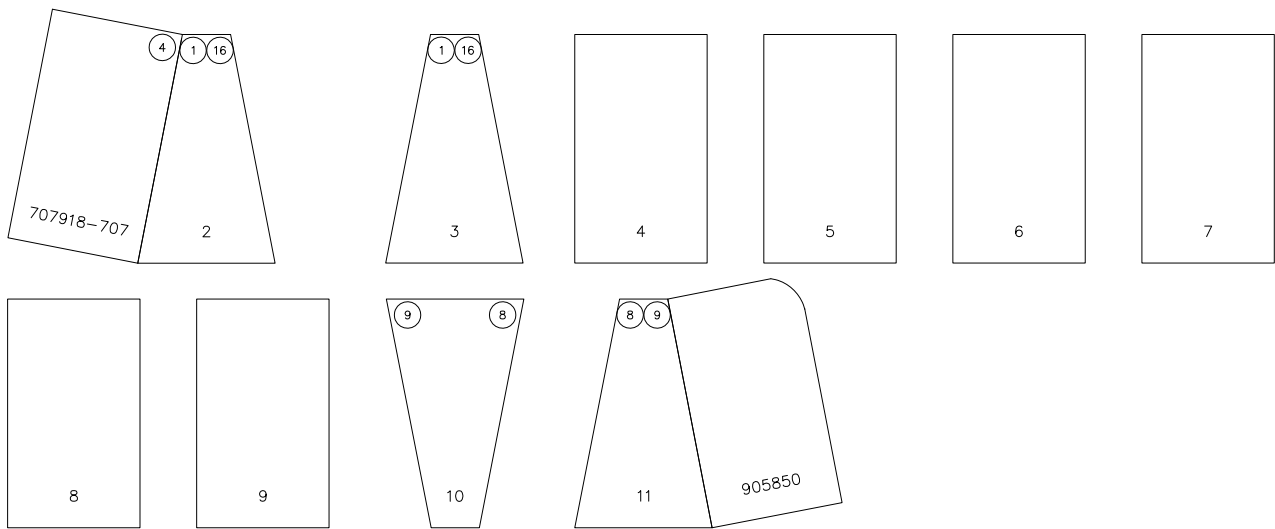
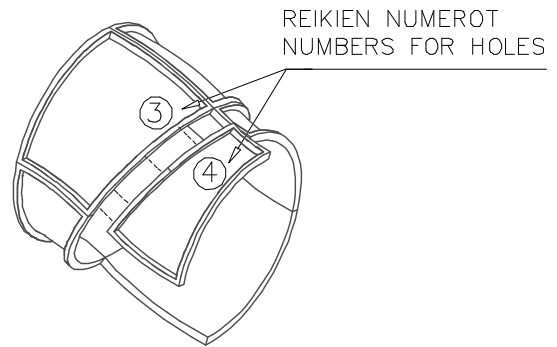




Esimerkki putken kokoamisesta
Example of installation

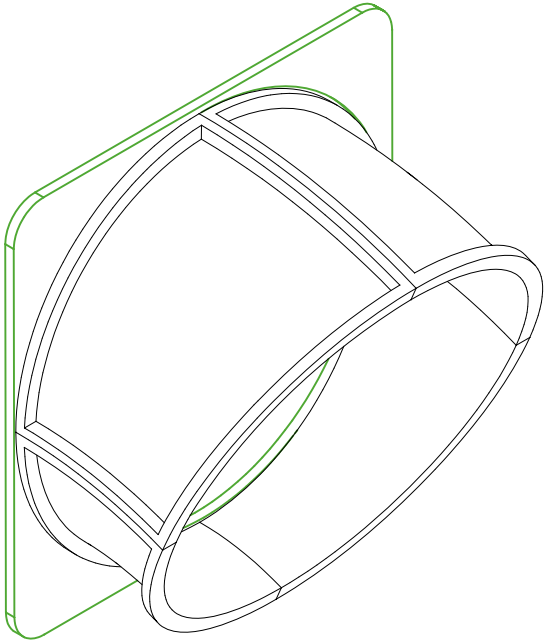
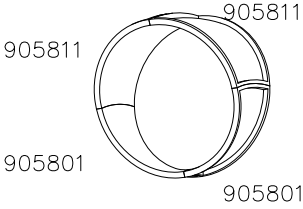


















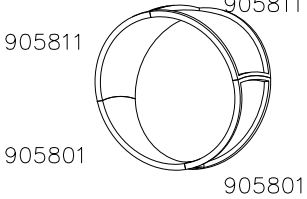



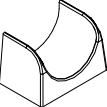





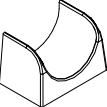




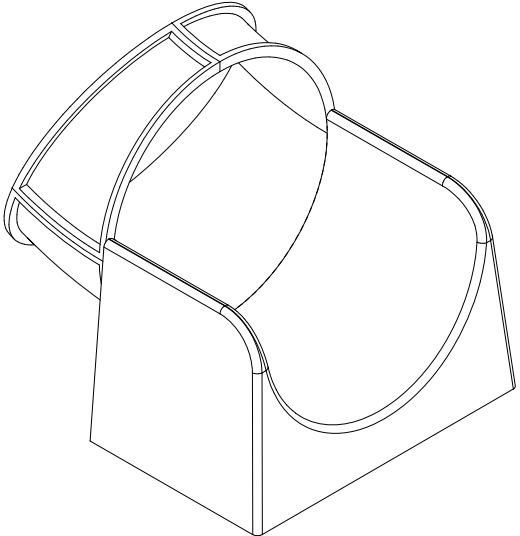



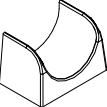


LIUKUPINTAAN EI SAA TULLA
LÄPINÄKYVIÄ MODUULEJA!!

NO TRANSPARENT PIECES ON
SLIDING SURFACE!!



Valmiiksi kasattujen osien osakokoonpanot ja vara-osa listat.

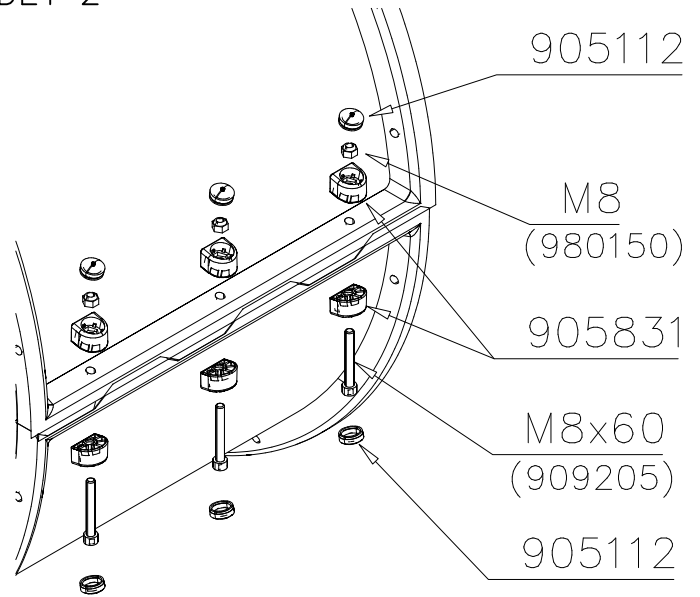
Ready installed component subassemblies and spare part list.

	<p style="text-align: center;">2</p>  <table border="1" data-bbox="895 931 1468 1310"> <tr> <td>707918-707 </td> <td>909205 x 8 </td> <td>980150 x 8 </td> </tr> <tr> <td>905831 x 32 </td> <td>909208 x 16 </td> <td>909119 x 16 </td> </tr> </table>			707918-707 	909205 x 8 	980150 x 8 	905831 x 32 	909208 x 16 	909119 x 16 
707918-707 	909205 x 8 	980150 x 8 							
905831 x 32 	909208 x 16 	909119 x 16 							
<p style="text-align: center;">11</p>  <table border="1" data-bbox="172 1727 745 2101"> <tr> <td>909205 x 16 909206 x 8 </td> <td>980150 x 16 </td> <td>905831 x 32 </td> </tr> <tr> <td>905850 </td> <td>909208 x 8 </td> <td>980151 x 8 </td> </tr> </table> <p>Position of the box: 90 degrees</p>	909205 x 16 909206 x 8 	980150 x 16 	905831 x 32 	905850 	909208 x 8 	980151 x 8 	<p>909252 x 13 </p> <p>700413 x 1 </p>		
909205 x 16 909206 x 8 	980150 x 16 	905831 x 32 							
905850 	909208 x 8 	980151 x 8 							

DET 1



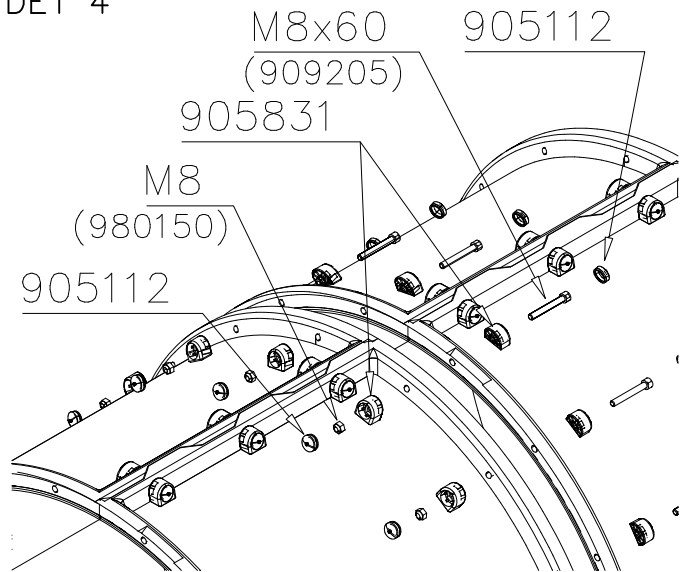
DET 2



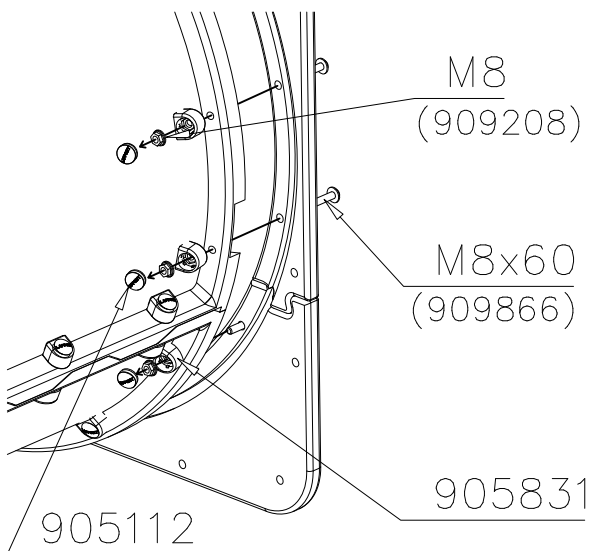
DET 3



DET 4

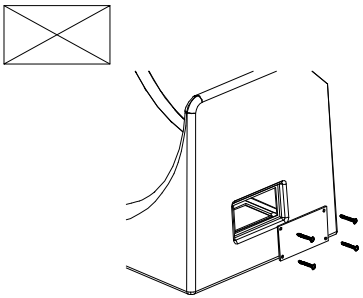
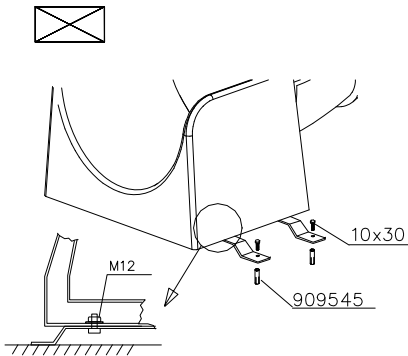
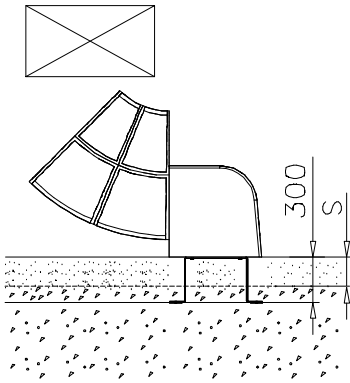
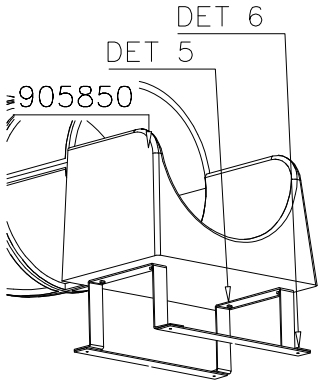
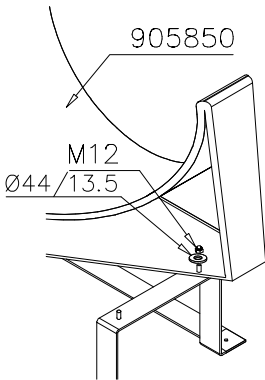
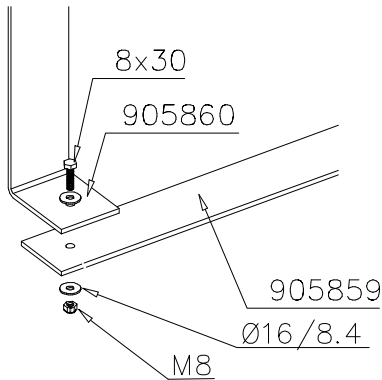


DET 5



DET 6



<p>905850</p>  <p>Access- and maintenance panel. Asennus- ja huolto luukku.</p>	<p>905850</p>  <p>M12 10x30 909545</p>	<p>905850</p>  <p>300 S</p>
<p>905850</p>  <p>DET 6 DET 5 905850</p>	<p>905850</p>  <p>905850 M12 Ø44/13.5</p>	<p>905850</p>  <p>8x30 905860 905859 Ø16/8.4 M8</p>



Tuotekyltti tulee tuotteen mukana yhdellä seuraavista tavoista:

1) Metallinen tuotekyltti ja kiinnitysruuvit

- Kiinnitä tuotekyltti ruuveilla tolppaan noin 2 metrin korkeuteen kuvan 1 mukaisesti.

2) Tuotekylttitarra

- Puhdista maalattu metalli- tai vaneripinta pölystä ja kosteudesta. Liimaa tarra kuvan 2 mukaisesti.
- Huom. Älä kiinnitä tarraa karheapintaiseen laminaattiin tai maalattuun puuhun.

Vår produktmärkning levereras på ett av följande sätt:

1) Produktskylt i metall

- Fäst skylten med de medföljande skruvarna

2) Självhäftande produktetikett

- Rengör den pulverlackerade metallytan eller laminatyten så att den blir fri från smuts och fukt. Fäst etiketten enligt fig. 2.
- Obs! Fäst ej etiketten på detaljer med skrovlig yta eller på målat trä.

Product label is delivered by one of following ways:

1) Metal product label and screws

- Fasten the label with screws.

2) Label sticker

- Clean the painted metal or plywood surface from dirt and moisture. Fasten the sticker as shown in the figure 2.
- Note. Do not attach the sticker to rough surfaced laminate or painted wood.

La plaque d'informations produit est livrée sous l'une de ces 3 formes :

1) Plaque métallique et vis

- Fixez la plaque à l'aide des vis.

2) Etiquette autocollante

- Avant de coller l'étiquette, nettoyez le composant métallique peint ou la plaque de contreplaqué, de toute saleté. La surface doit être sèche (voir image 2).
- Attention, ne pas coller l'étiquette sur une surface lamellé-collée irrégulière ou sur du bois peint.

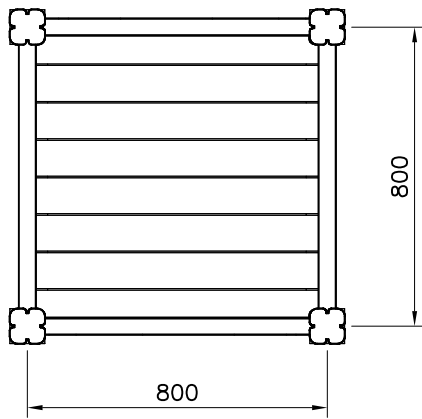
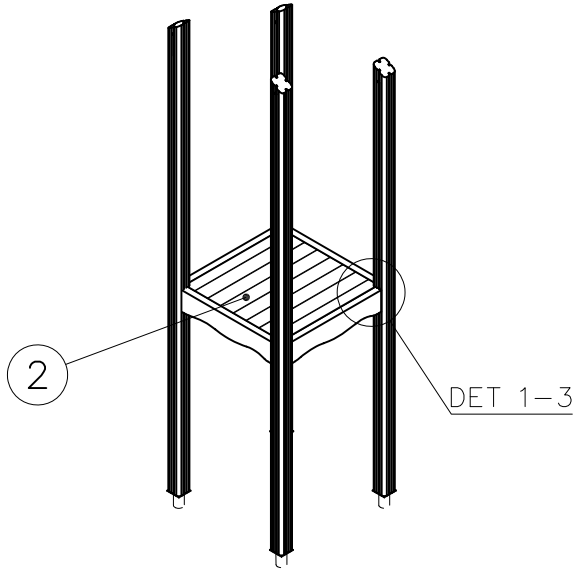
Die Auslieferung des Produktaufklebers erfolgt auf eine dieser Arten:

1) Produkt-Schild aus Metall incl. Schrauben

- Die Befestigung des Schildes erfolgt mittels der Schrauben.

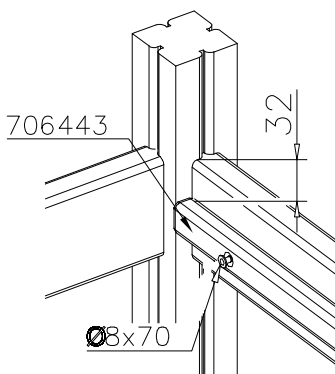
2) Aufkleber

- Entfernen Sie zunächst Schmutz und Feuchtigkeit vom lackierten Metall bzw. von der Holzoberfläche und bringen Sie den Aufkleber wie im Bild oben rechts beschrieben auf den gesäuberten Untergrund auf.
- Beachten Sie: Bringen Sie den Aufkleber nicht auf raues laminiertes oder lackiertes Holz an.

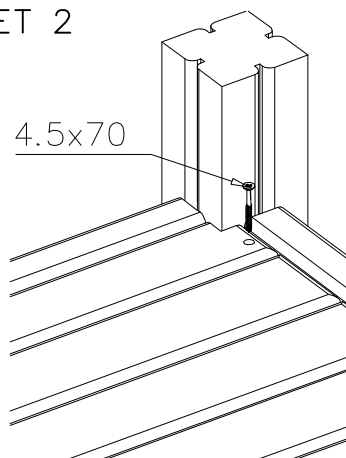


① 706443	PCS	② 705257	PCS
	2		1
32x45x702		32x750x750	
③ 900240	PCS	④ 980101	PCS
	6		8
Ø8x70		Ø4.5x70	
	PCS		PCS
	PCS		PCS

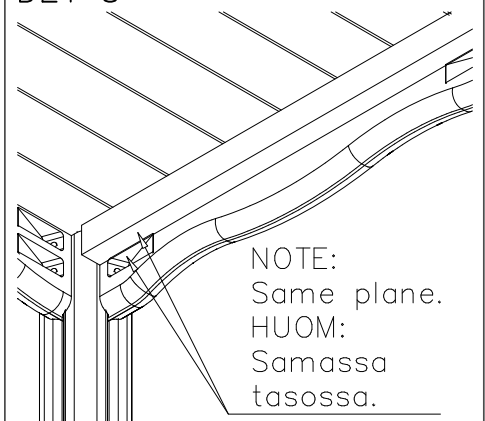
DET 1



DET 2



DET 3



LAPPSET® DEEP FOUNDATION

FOOT

DATE: 15.5.2018

1(1)



①	909511	PCS	②	909519	PCS
		1			1
	90x90x650			50x380x380	

③	909637	PCS	④	909638	PCS
		4			8
	M10			Ø20/10.5	

⑤	909639	PCS	⑥	905104	PCS
		4			4
	M10x25			M10	

OPTION FOOT

①	911155	PCS			PCS
		1			
	90x90x650				