

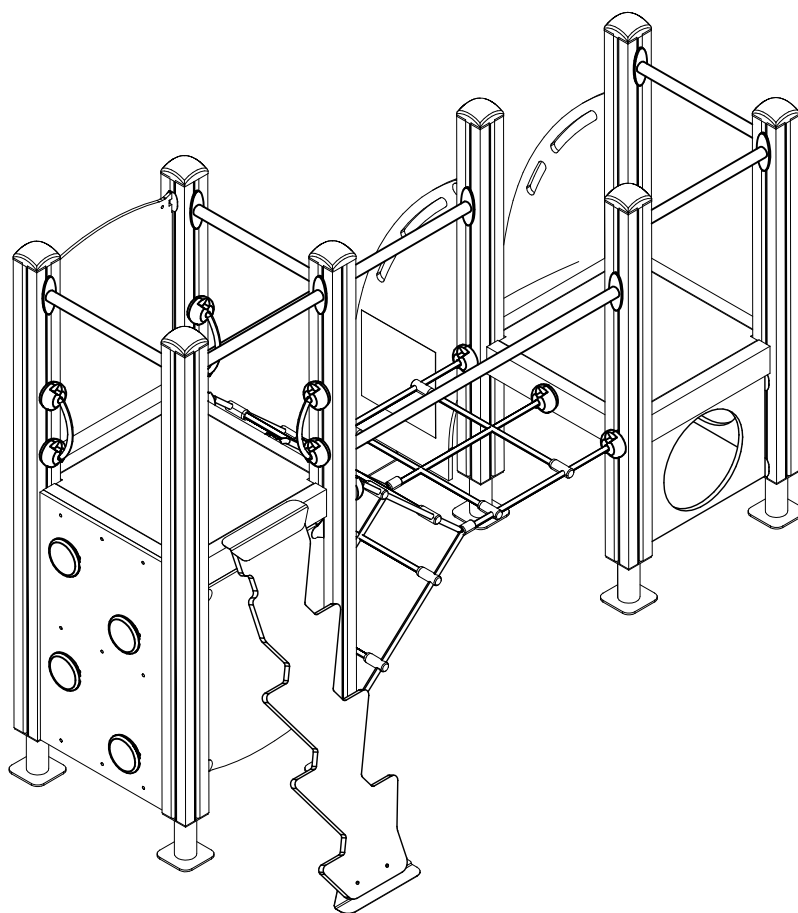
LAPPSET®

THEME



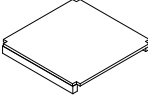

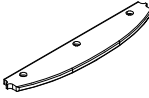

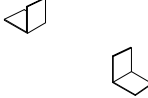

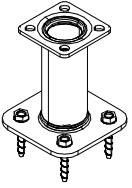

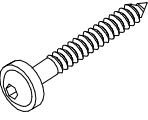
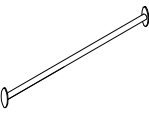
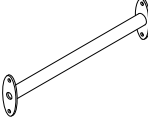
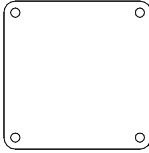
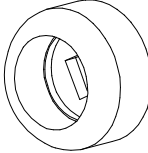
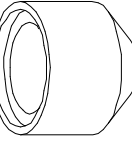
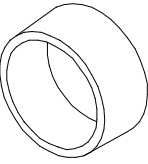
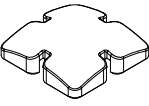
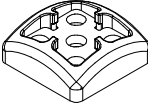
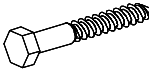
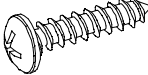
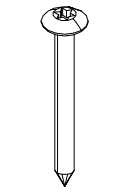
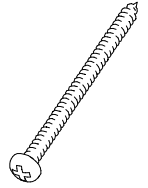
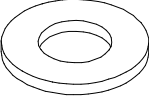
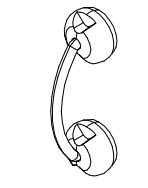

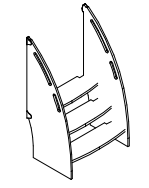

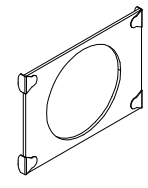

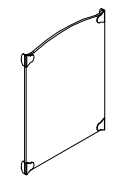

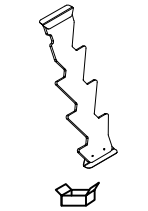

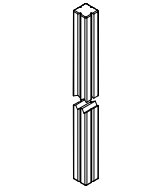
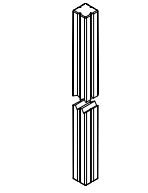
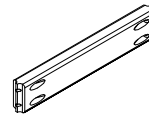

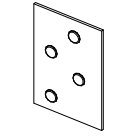
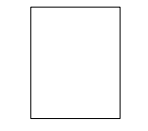
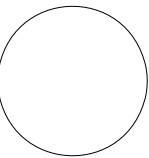
ASENNUSOHJE
MONTERINGSANSVISNING
INSTALLATION INSTRUCTION
AUFBAUANLEITUNG
NOTICE D'INSTALLATION

DATE: 2.5.2014

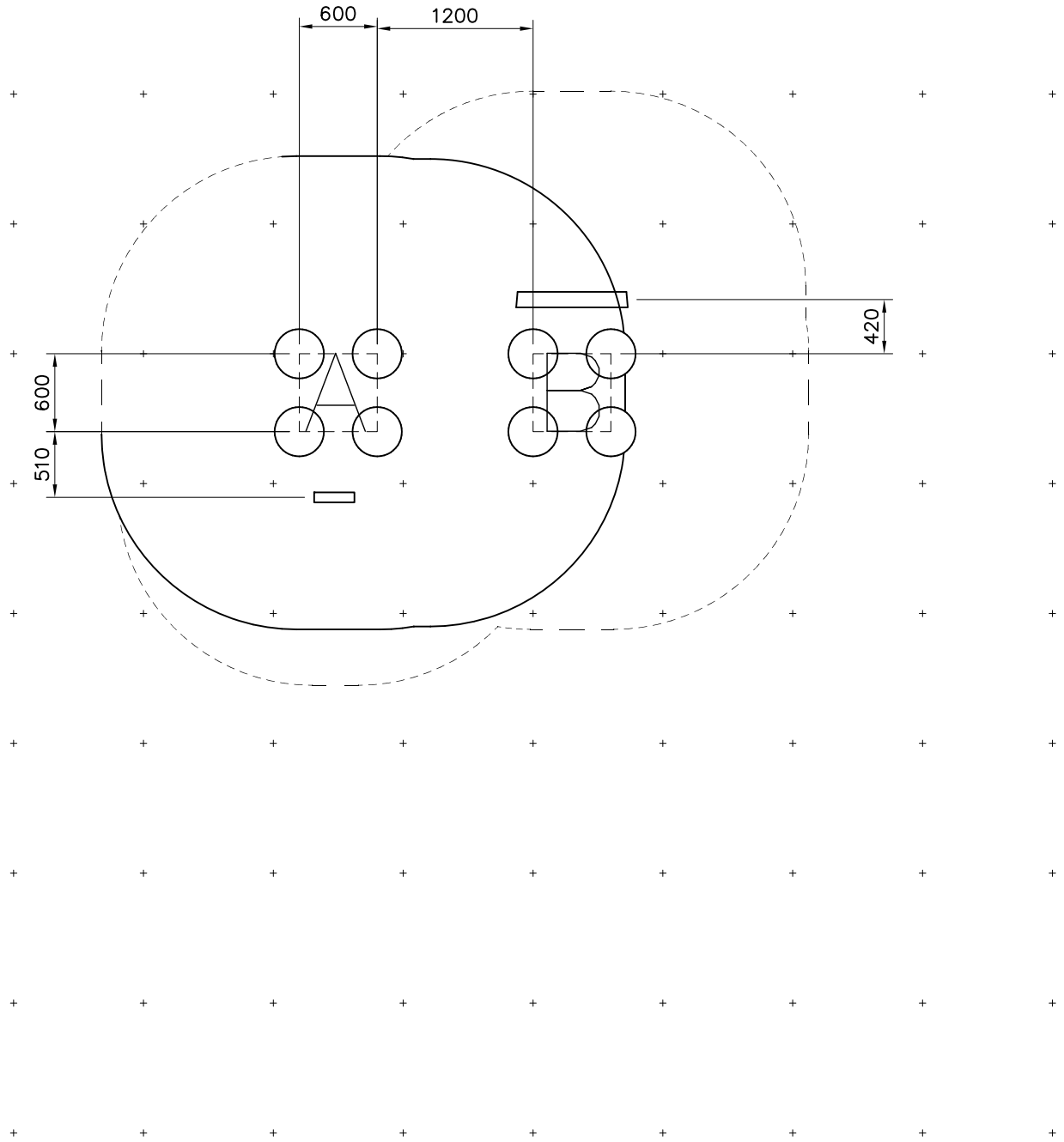
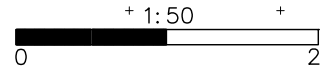
Q06457

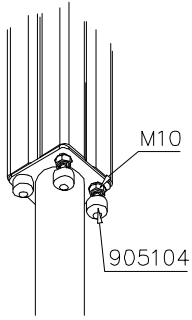
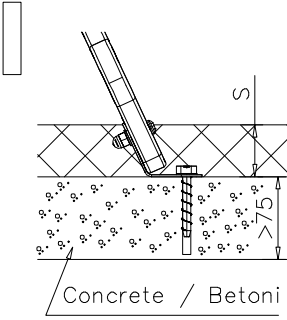
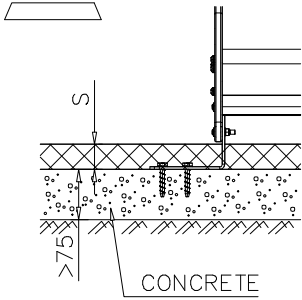
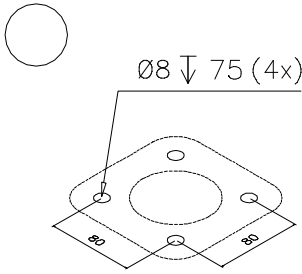
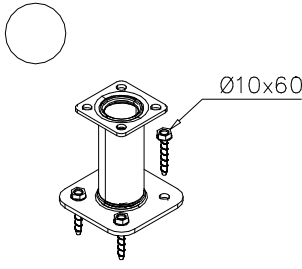
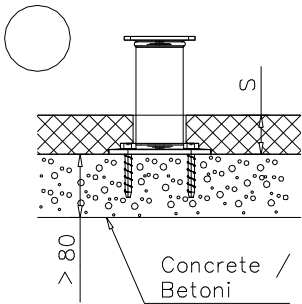


DATE: 2.5.2014

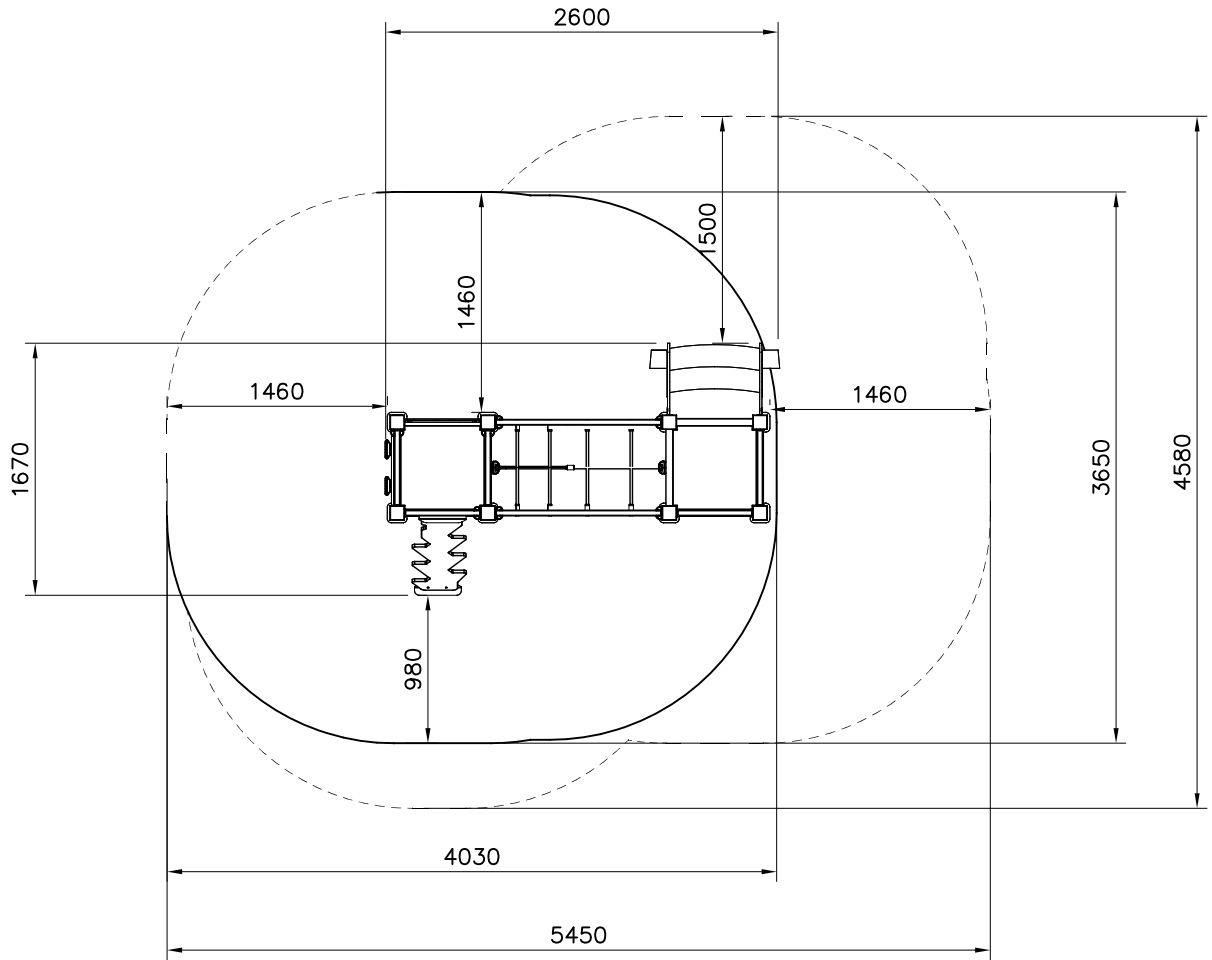
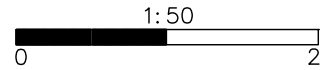
702286  90x50	PCS 1	702339  90x50	PCS 1	702647  	PCS 2	702678  	PCS 1	702796  	PCS 1	702860  	PCS 8
900240  Ø8x70	PCS 84	901785  L 1104	PCS 2	901790  L 505	PCS 5	902487  65x65	PCS 2	905083  Ø32	PCS 9	905104  M10	PCS 32
905112  Ø22	PCS 9	905138  GRAY	PCS 8	905196  GRAY	PCS 8	909235  8x60	PCS 9	909506  Ø3.5x13	PCS 8	980123  Ø7x60	PCS 6
980131  Ø6x60	PCS 32	980151  Ø16/8.4	PCS 9	A00888  	PCS 3	A00890  	PCS 1	A00891  	PCS 2	A00893  	PCS 2
A00897  	PCS 1	P06080  L 1650	PCS 4	P06083  L 1250	PCS 4	P06085  45x95x504	PCS 11	P06109 	PCS 1	P06117 	PCS 1
P06118 	PCS 2	P06119  Ø400	PCS 1		PCS		PCS		PCS		PCS
	PCS		PCS		PCS		PCS		PCS		PCS

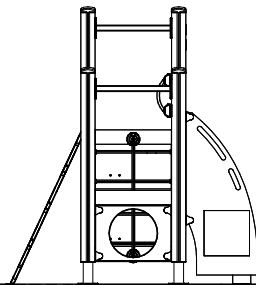
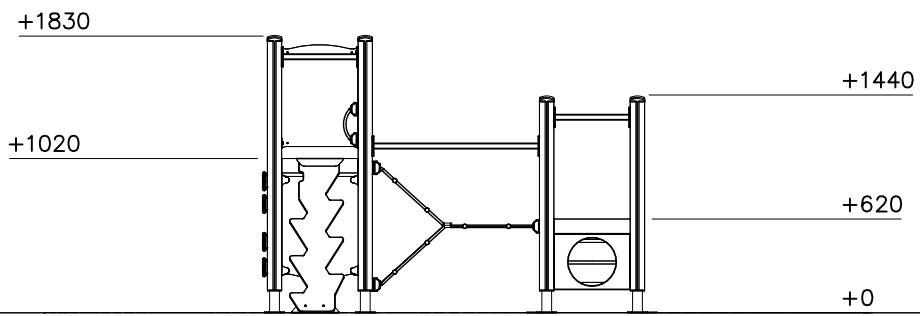
- + EN Impact Area 33.3 m² + + + + +
- - - - Falling Space 33.3 m² + + + + +
- Max Falling Height 1020 mm
- Grid size = 1000mm + + + + +

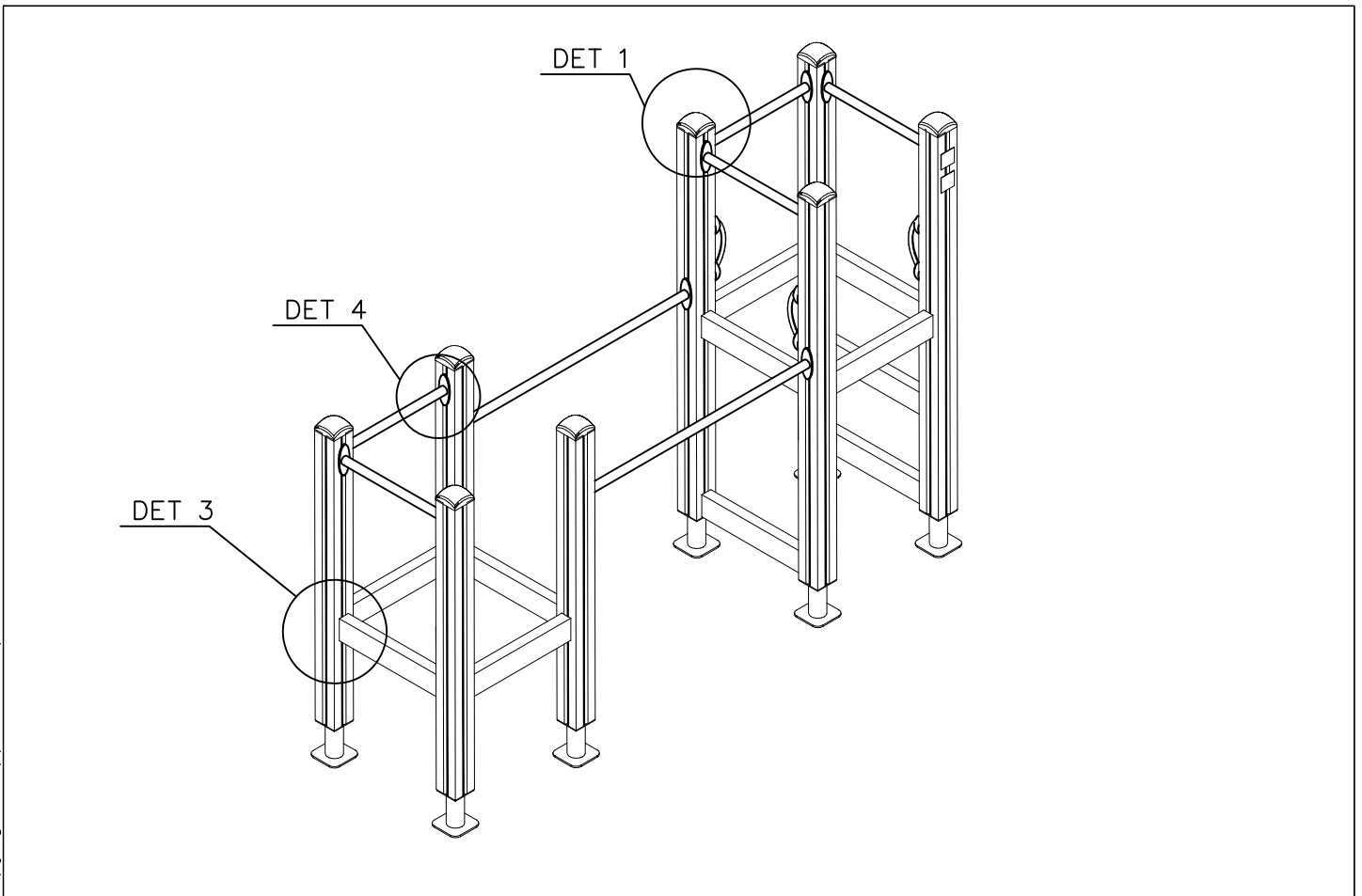
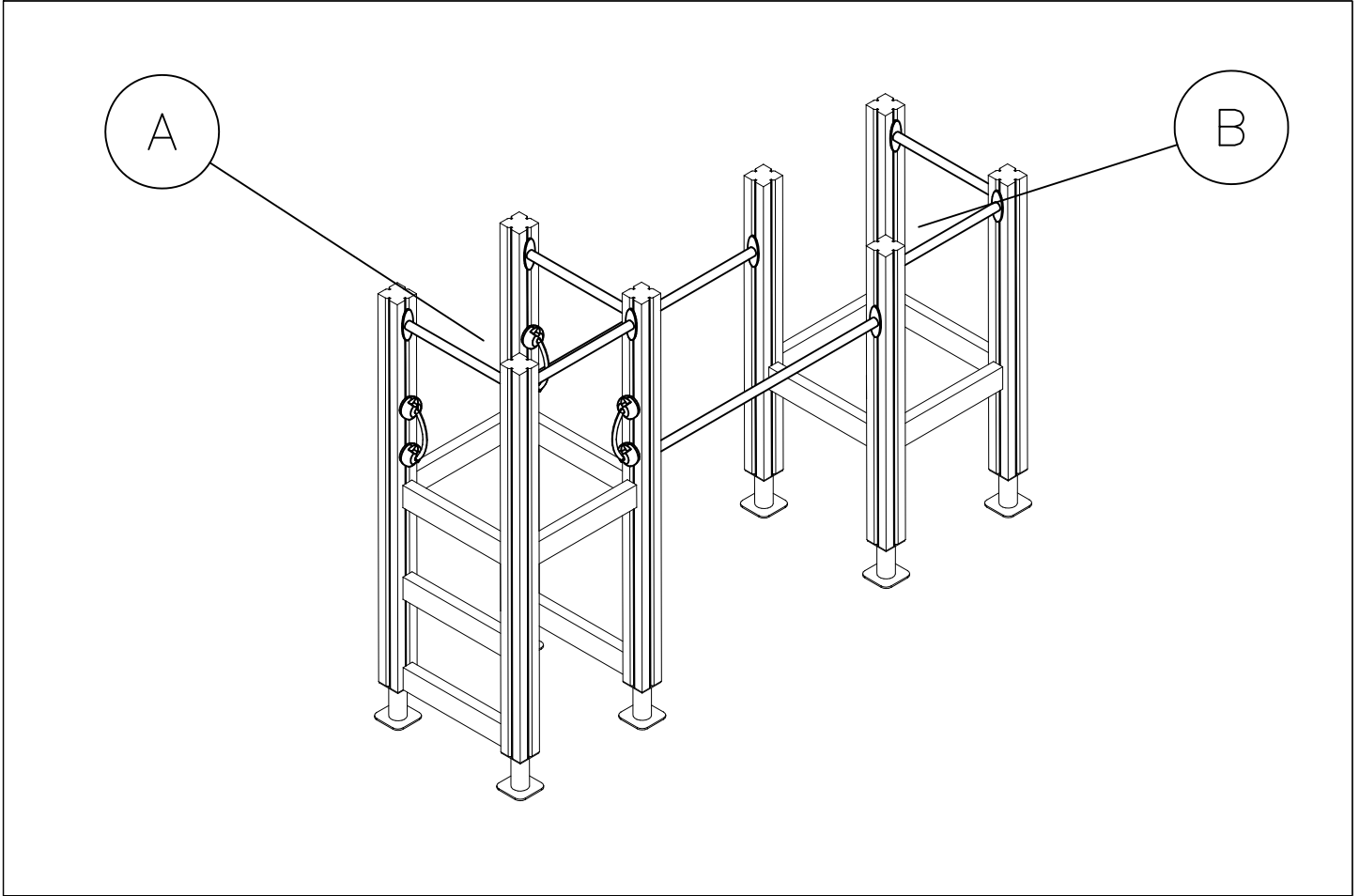


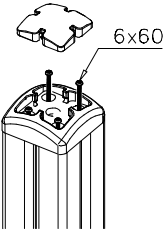
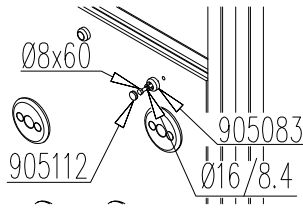
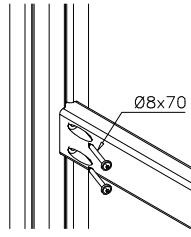
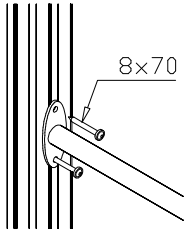
 <p>M10 905104</p>	 <p>S >75 Concrete / Betoni</p>	 <p>S >75 CONCRETE</p>
 <p>Ø8 ↓ 75 (4x)</p>	 <p>Ø10x60</p>	 <p>S >80 Concrete / Betoni</p>

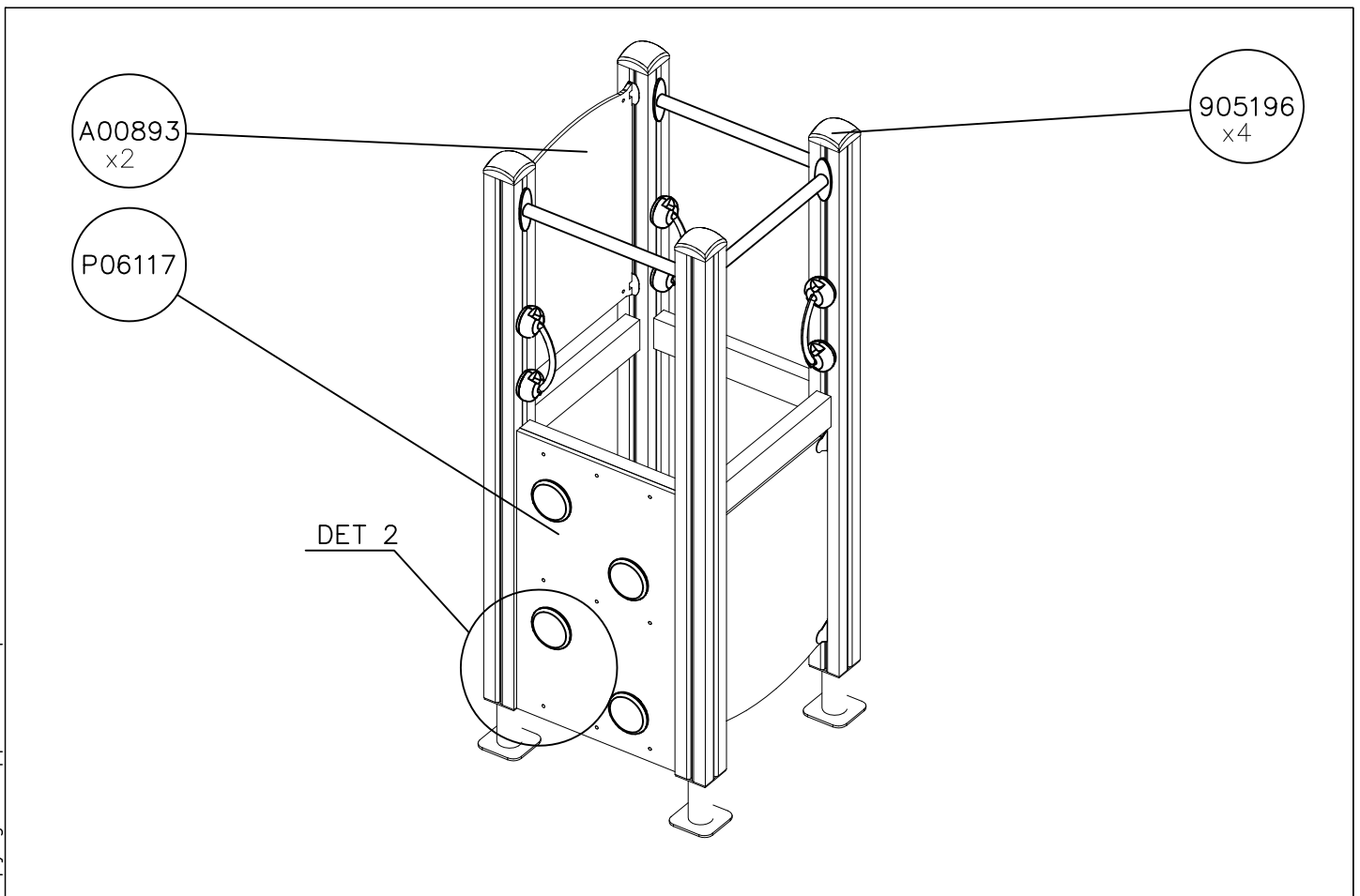
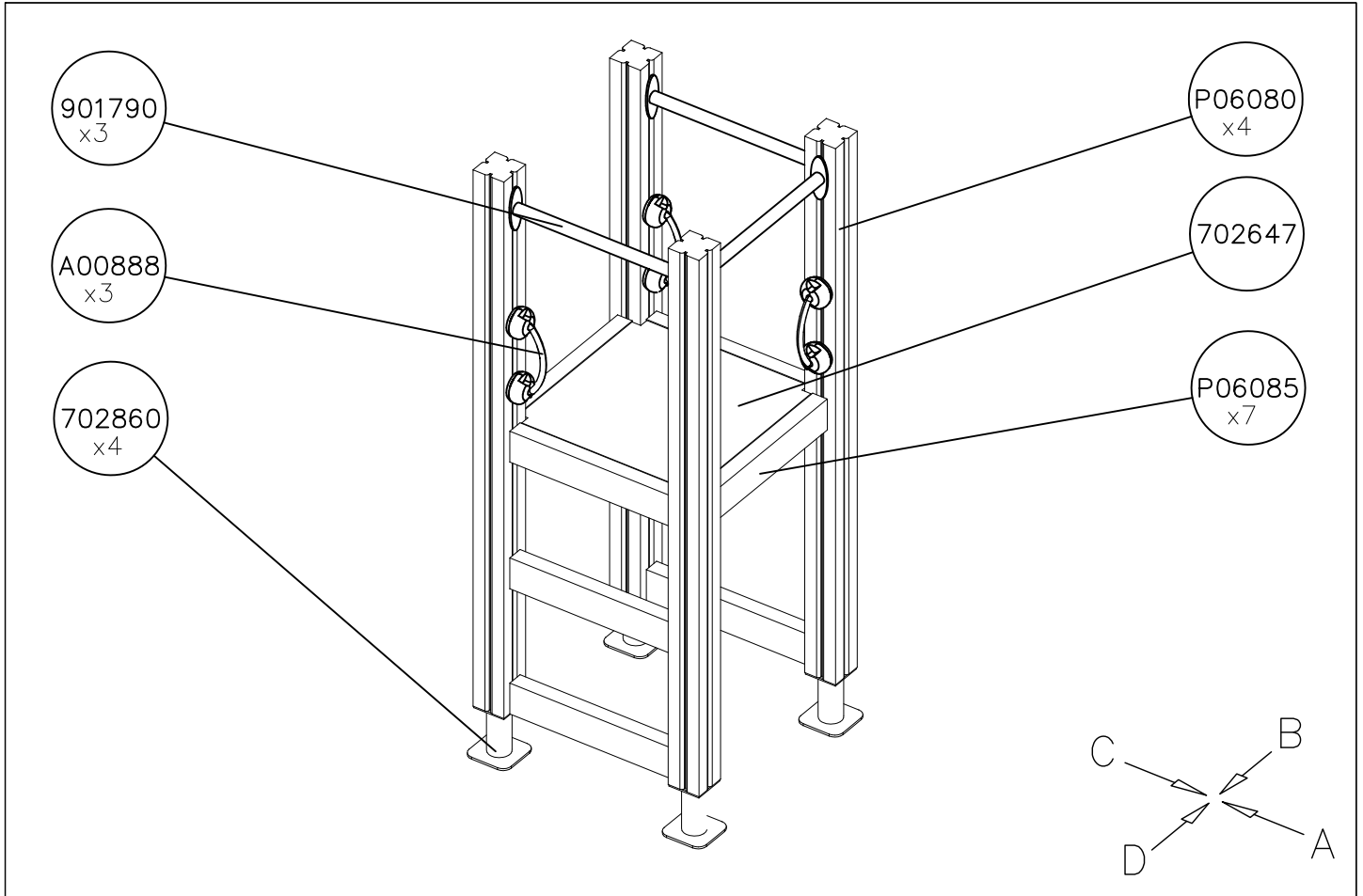
- EN Impact Area 33.3 m²
- - - Falling Space 33.3 m²
Max Falling Height 1020 mm





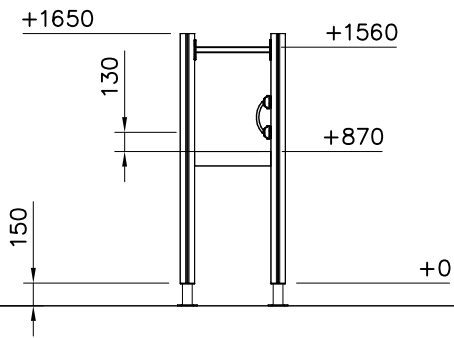


DET 1	DET 2	DET 3	DET 4
			

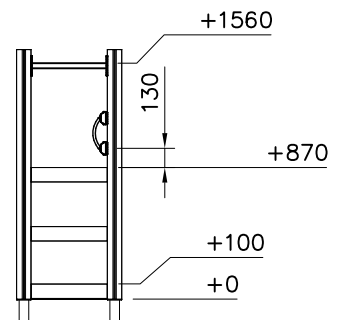


1:50

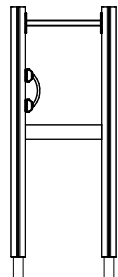
(A)



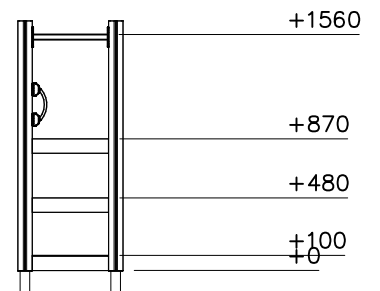
(B)

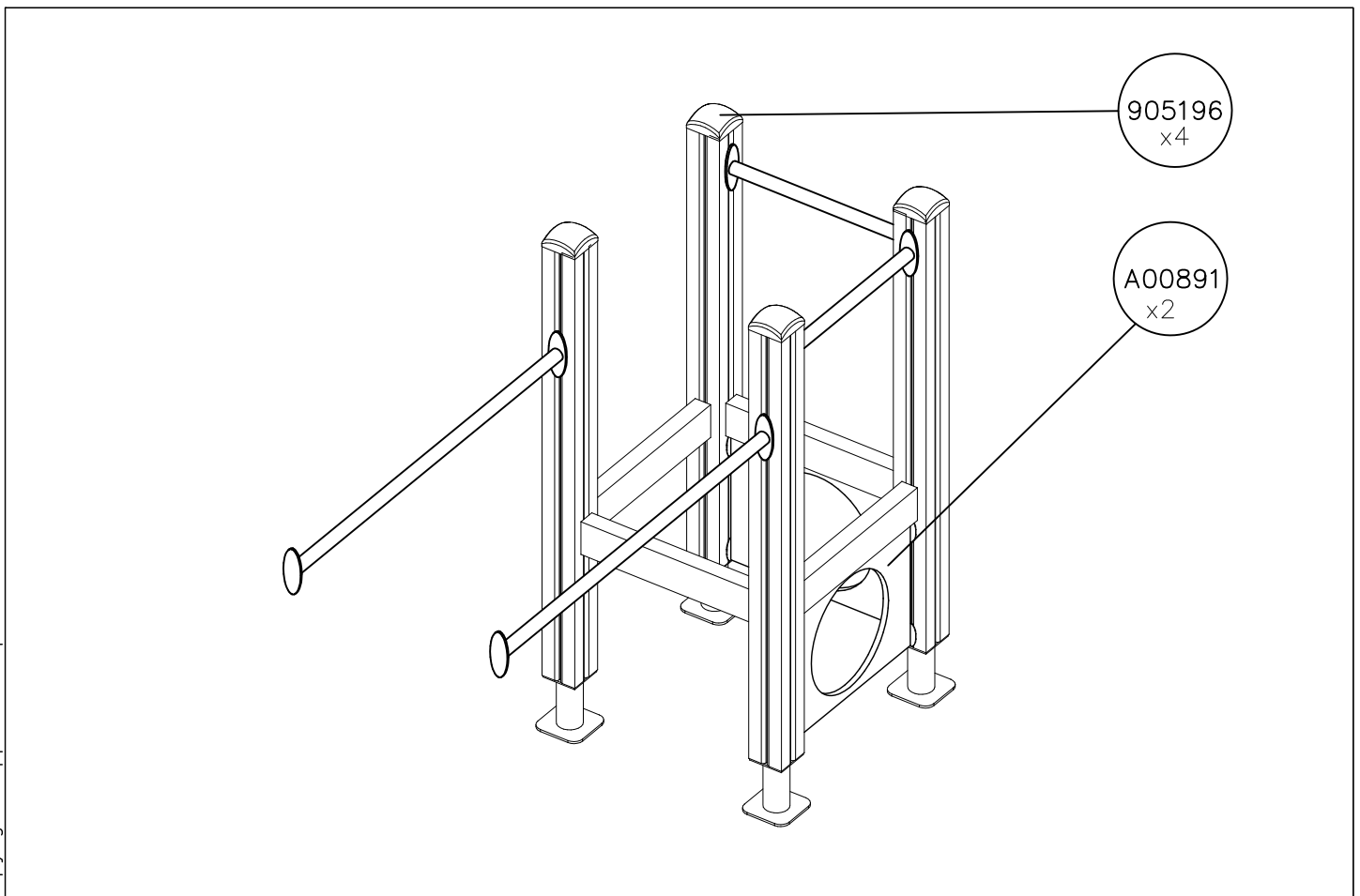
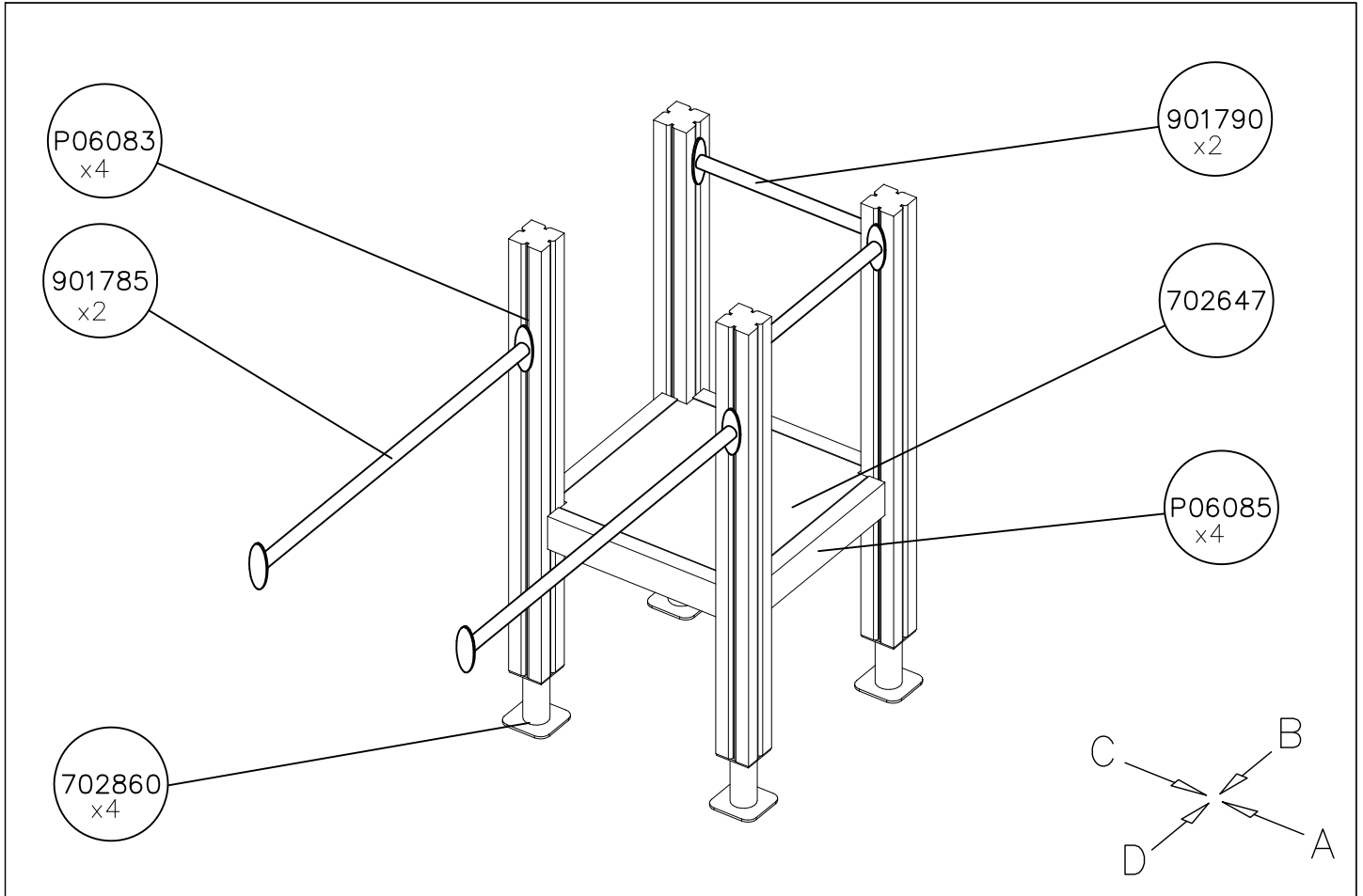


(C)



(D)

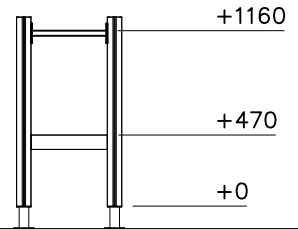
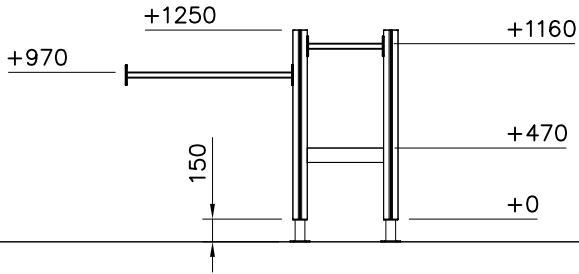




1:50

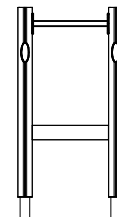
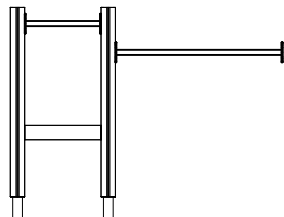
(A)

(B)

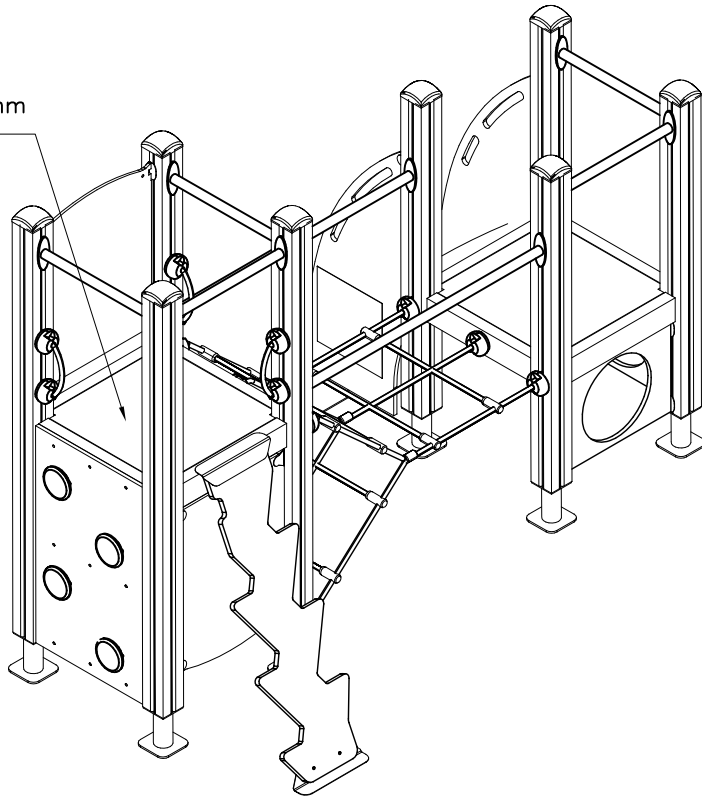


(C)

(D)



Max Falling Height 1020 mm



P06109

P06119

702678

P06118

P06118

A00890