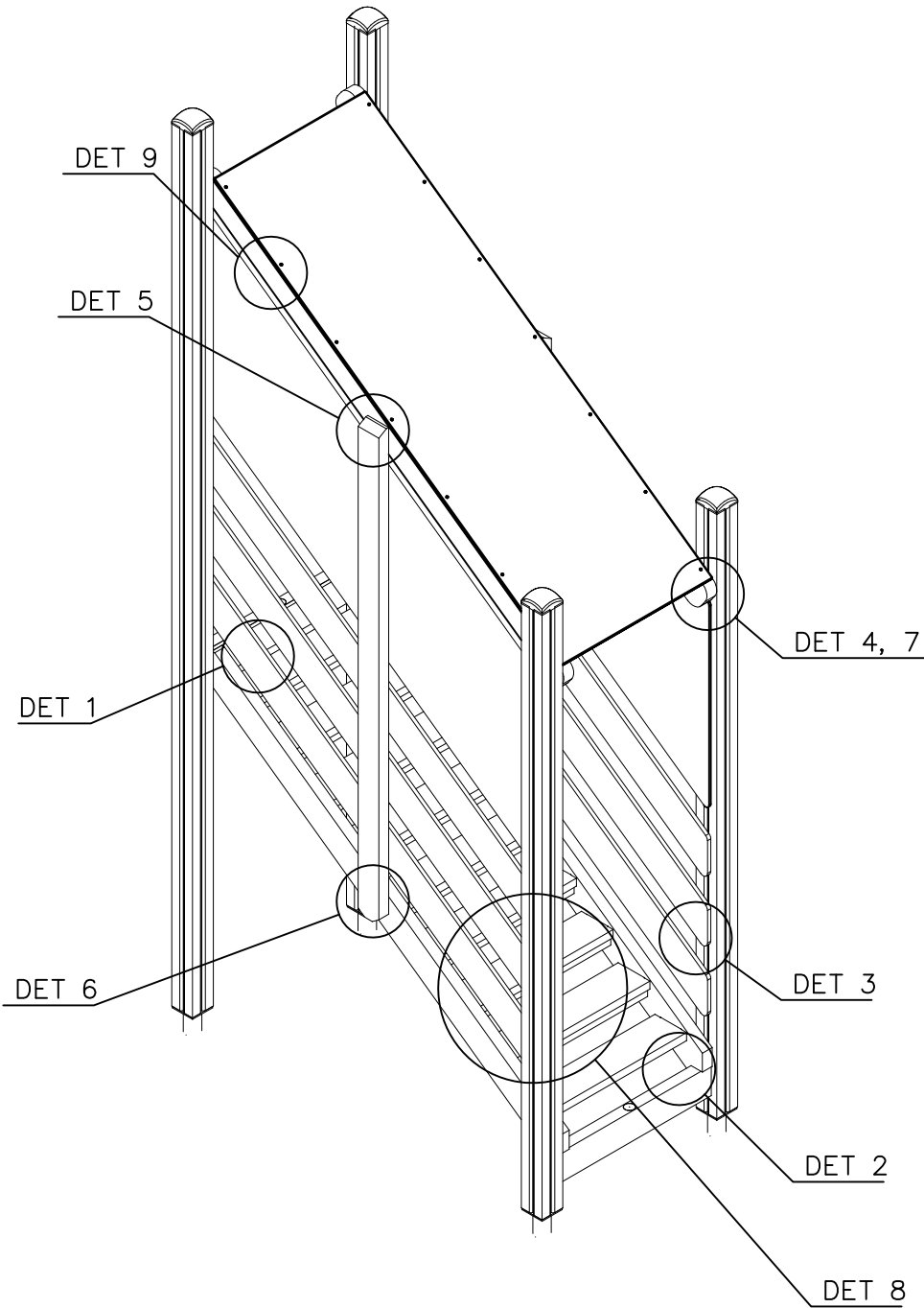


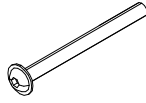
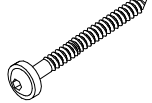
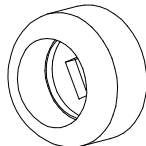
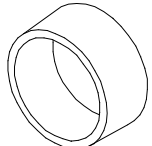
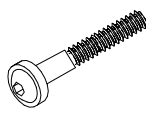

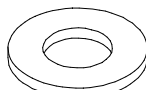
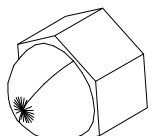
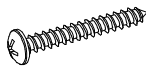
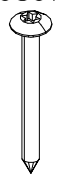

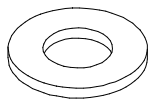
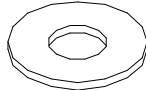

LAPPSET® FASTENER KIT

707871

DATE: 3.10.2017

1(4)



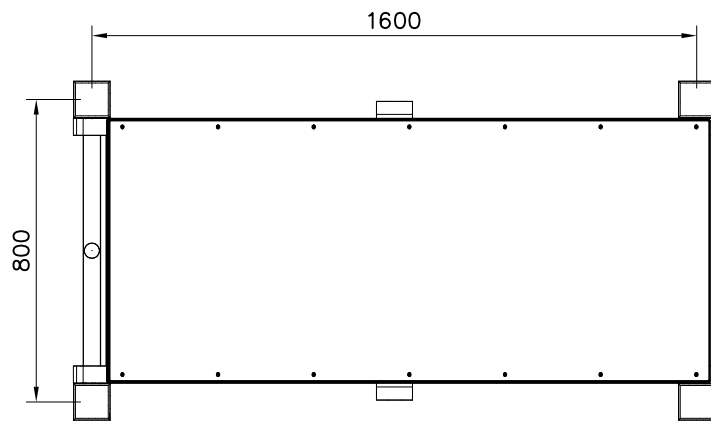
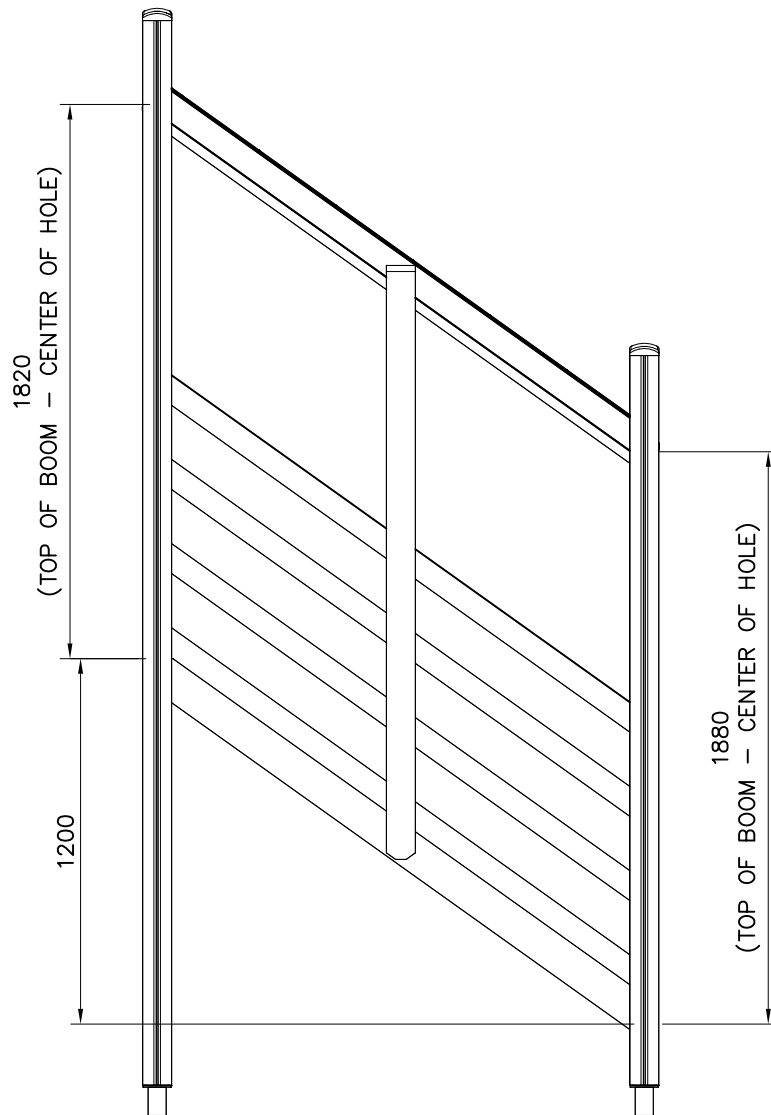
① 900859	PCS 2	② 903093	PCS 2
			
M8x90		Ø8x90	
③ 905083	PCS 4	④ 905112	PCS 4
			
Ø32		Ø22	
⑤ 909117	PCS 2	⑥ 909233	PCS 4
			
M8x100		Ø8x100	
⑦ 909256	PCS 22	⑧ 909633	PCS 4
			
Ø16/8.4x1.6		M8	
⑨ 980106	PCS 30	⑩ 980123	PCS 52
			
Ø5x40		Ø7x60	
⑪ 980128	PCS 9	⑫ 980151	PCS 4
			
Ø7x40		Ø16/8.4	
⑬ 980152	PCS 6	⑭ 980158	PCS 30
			
Ø24/8.4x2		Ø12/6.4	
	PCS		PCS

LAPPSET®
FASTENER KIT

707871

DATE: 3.10.2017

2(4)



LAPPSET®

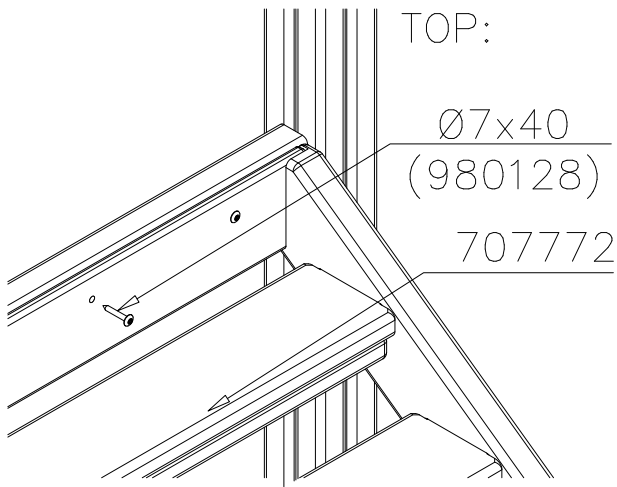
FASTENER KIT

707871

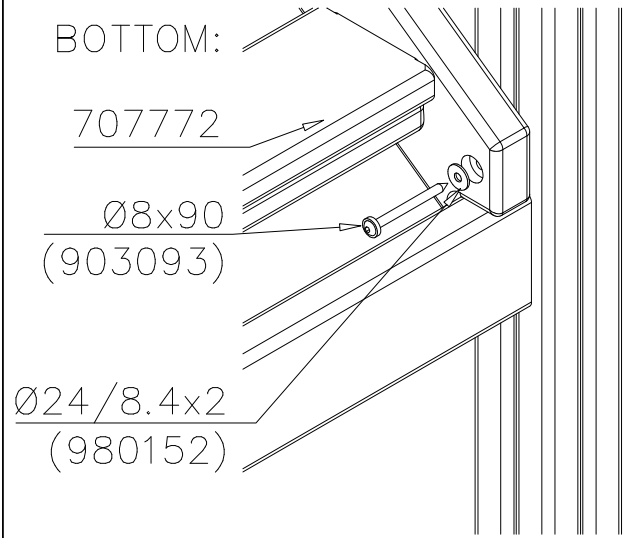
DATE: 3.10.2017

3(4)

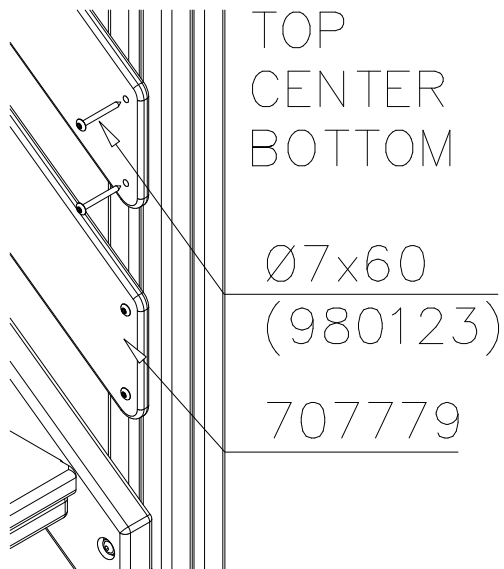
DET 1



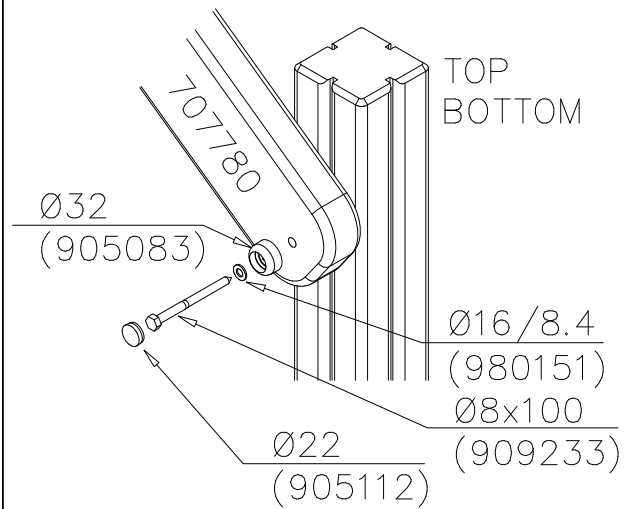
DET 2



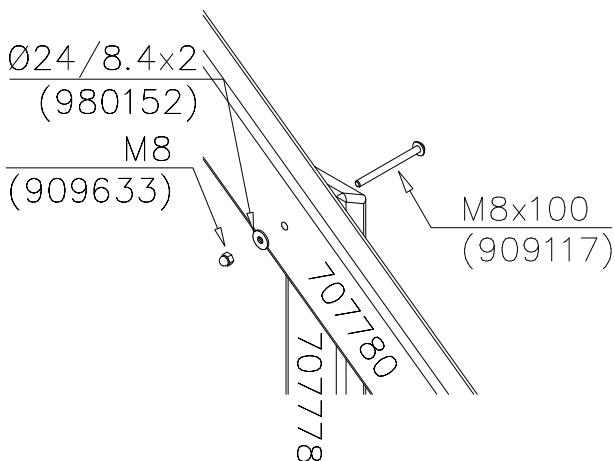
DET 3



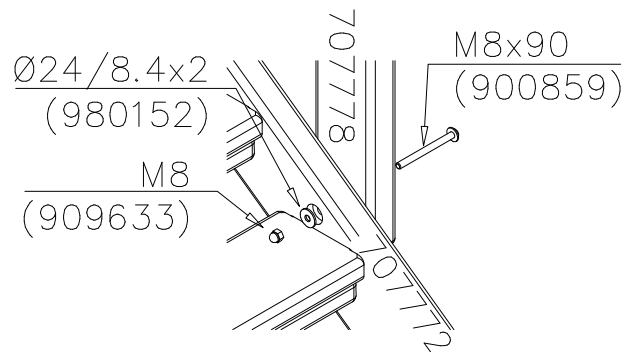
DET 4



DET 5



DET 6



LAPPSET®

FASTENER KIT

707871

DATE: 3.10.2017

4(4)

<p>DET 7</p> <p> $\text{Ø}5 \times 40$ (980106) $\text{Ø}12 / 6.4$ (980158) $\text{Ø}16 / 8.4 \times 1.6$ (909256) $\text{Ø}7 \times 60$ (post) $\text{Ø}7 \times 40$ (center) </p>		<p>DET 8</p> <p>707779 CENTER MOUNTING HOLES ON THE BOTTOM</p>	
<p>DET 9</p> <p> $\text{Ø}12 / 6.4$ (980158) $\text{Ø}5 \times 40$ (980106) </p>			
<p>BOOM OPTIONS</p>		<p>BOOM OPTIONS</p>	
<p>707772</p> <p>700x120x2000</p>	<p>707772-602 DARK BROWN 707772-603 LIGHT BROWN 707772-604 LIGHT GRAY</p>	<p>707780</p> <p>45x120x2045</p>	<p>707780-602 DARK BROWN 707780-603 LIGHT BROWN 707780-604 LIGHT GRAY</p>
<p>BOOM OPTIONS</p>		<p>HPL OPTIONS</p>	
<p>707778</p> <p>45x95x1950</p>	<p>707778-602 DARK BROWN 707778-603 LIGHT BROWN 707778-604 LIGHT GRAY</p>	<p>707779</p> <p>15x145x2086</p>	<p>707779-701 BLUE 707779-702 YELLOW 707779-703 LIME 707779-704 DARK GRAY 707779-705 GRAY 707779-706 RED 707779-707 GREEN 707779-708 FUXIA</p>