

DET 5, 6

1


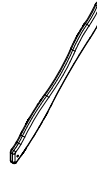


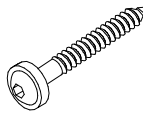



DET 2

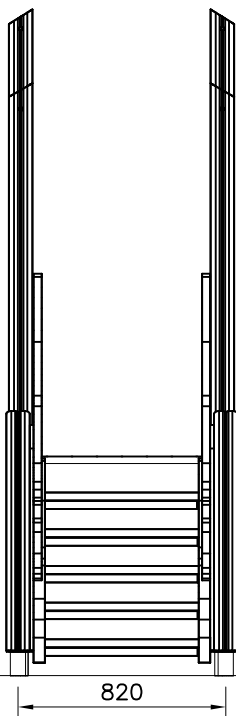
2

DET 1, 7

3

DET 1, 3, 4

① 706182	PCS	② 706183	PCS
	2		4
		32x95x999	
③ 706186	PCS	④ 706187	PCS
	2		1
		149x700x1089	
⑤ 900240	PCS	⑥ 903093	PCS
	6		8
Ø8x70		Ø8x90	
⑦ 980123	PCS	⑧ 980128	PCS
	6		3
Ø7x60		Ø7x40	
	PCS		PCS



+870

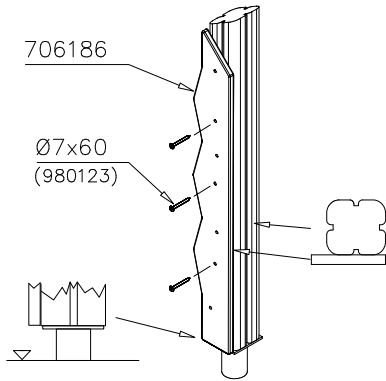
100

+0

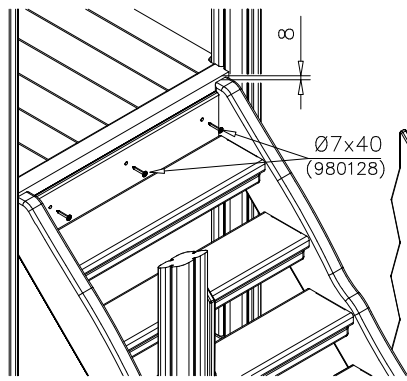
635

+1050

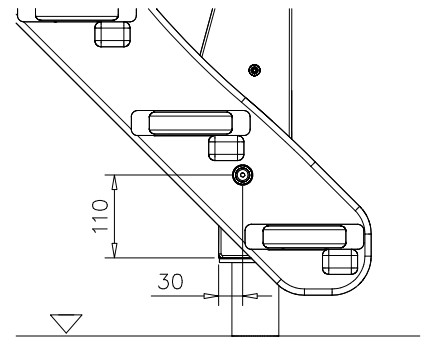
DET 1



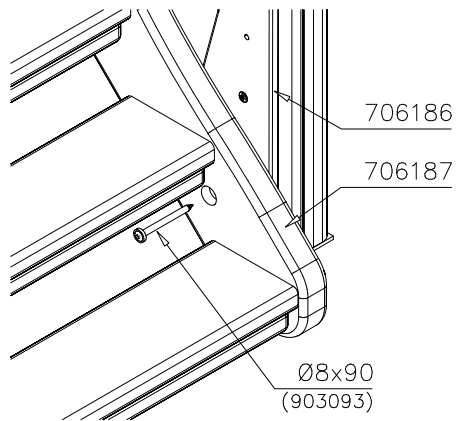
DET 2



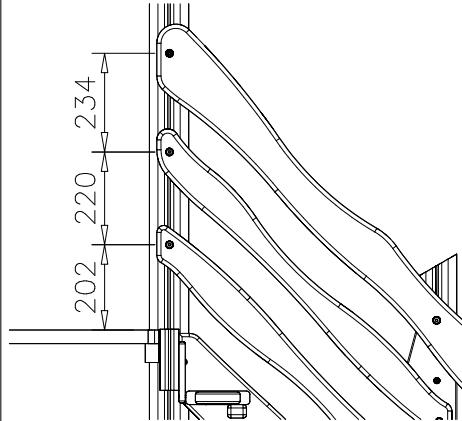
DET 3



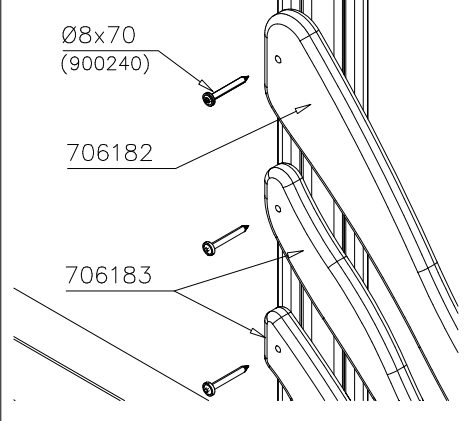
DET 4



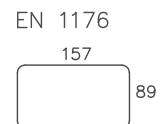
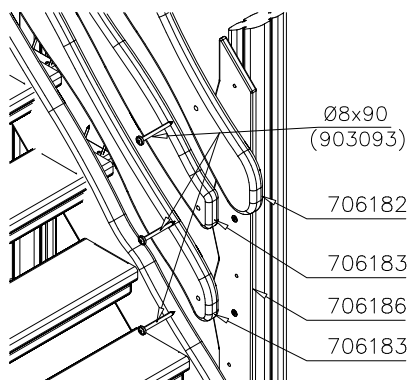
DET 5



DET 6



DET 7



Attention !  
By EN norm 1176, gaps must be narrower than 89mm !!!

