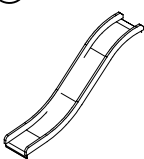
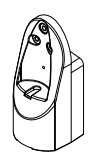
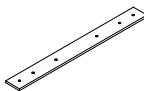
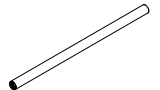



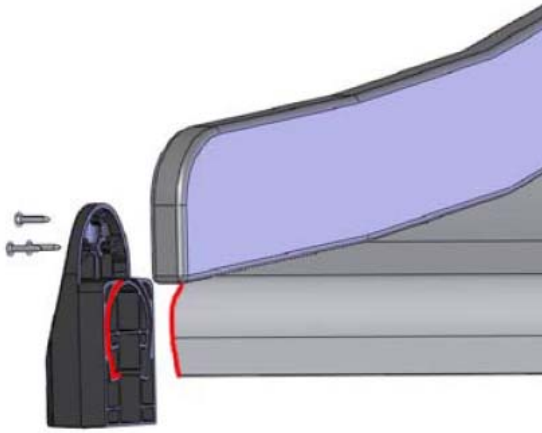
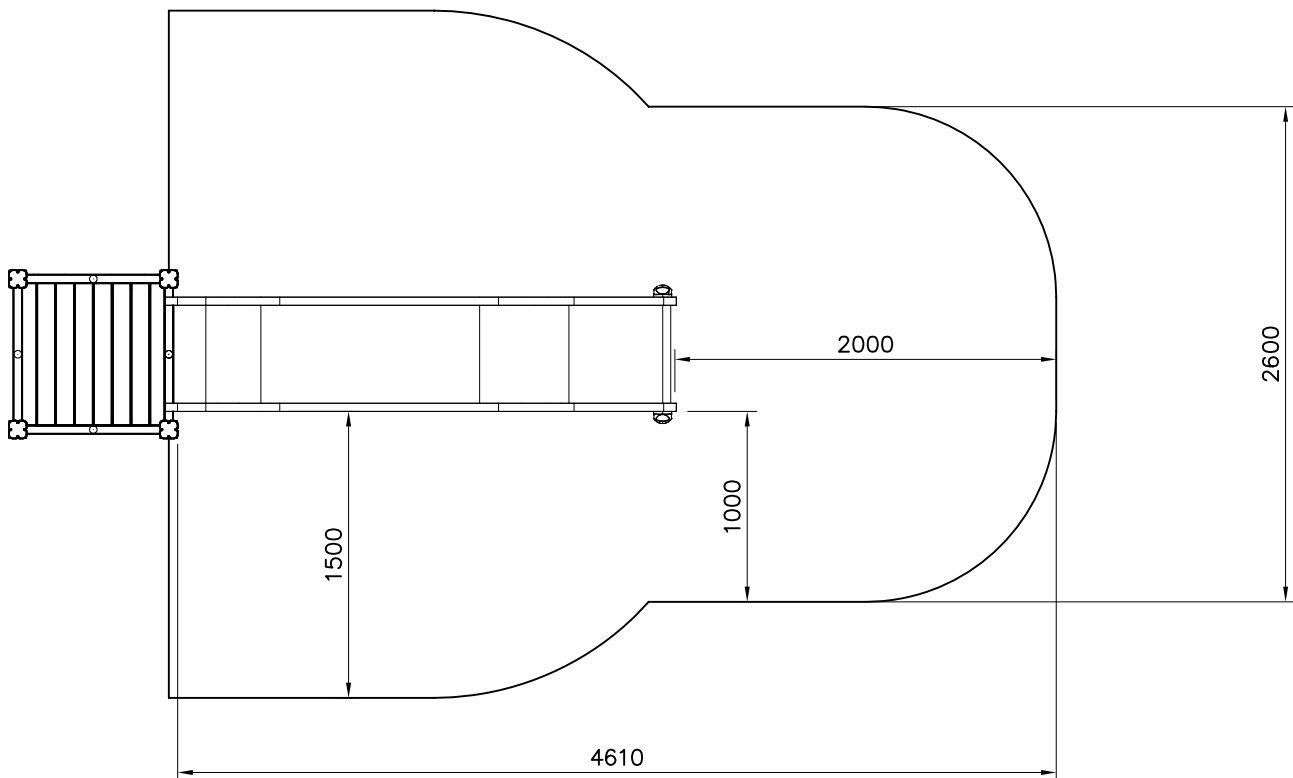
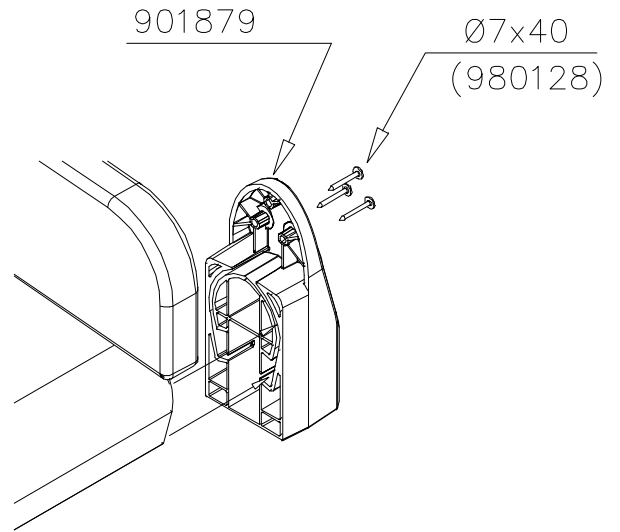


① 705307	PCS	② 901879	PCS
	1		2
③ 707133	PCS	④ 901868	PCS
	1		2
10x80x745		Ø30x598	
⑤ 909210	PCS	⑥ 905051	PCS
	4		4
M8x40		Ø24/8.4	
⑦ 980128	PCS		PCS
	9		
Ø7x40			

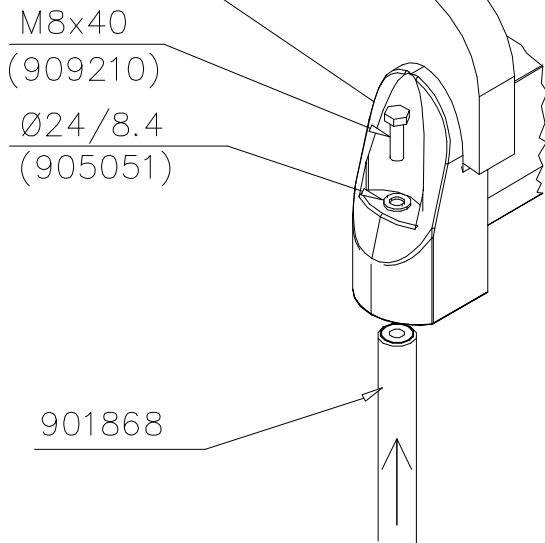
DET 2



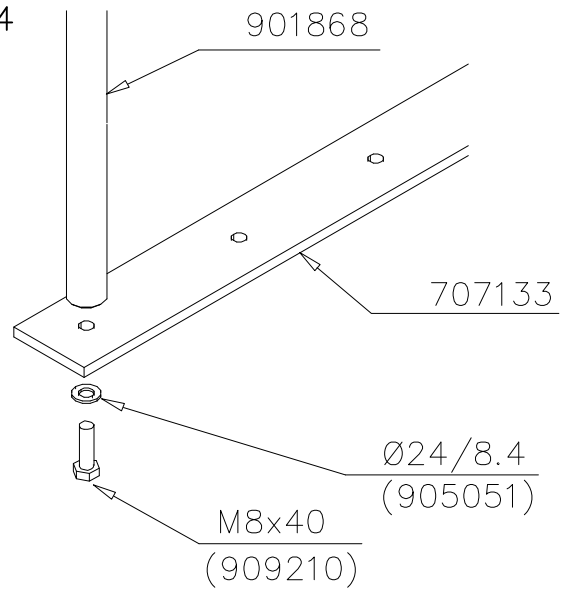
Insert sheet metal IN to the plastic cover.



DET 3



DET 4



DET 5

