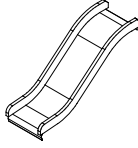

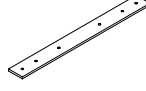
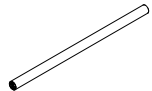
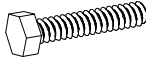
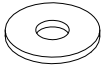

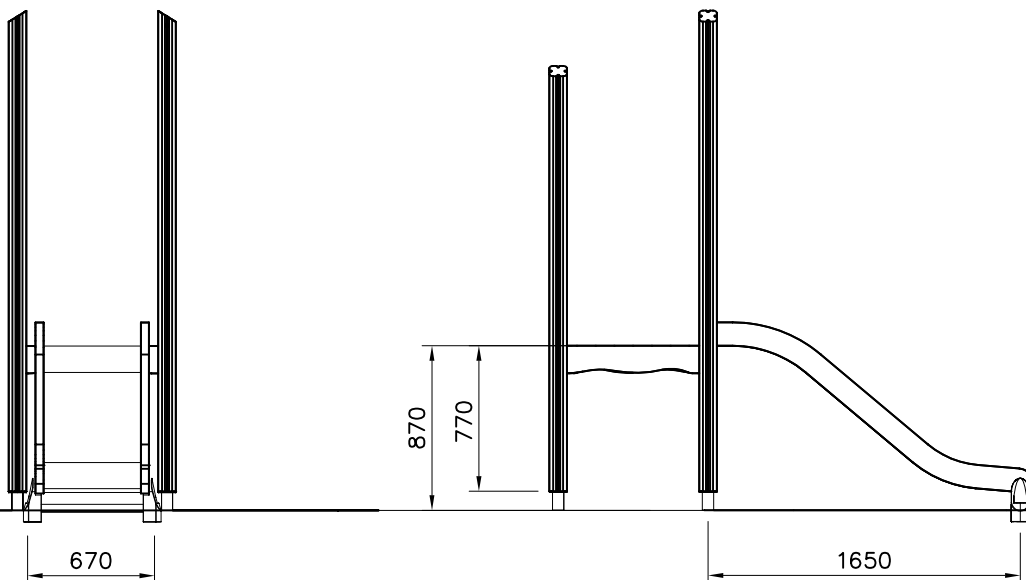
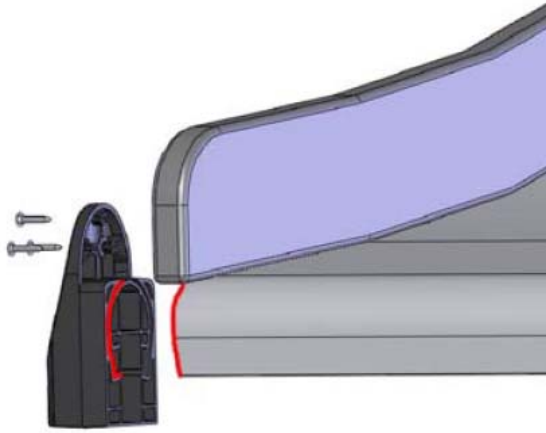


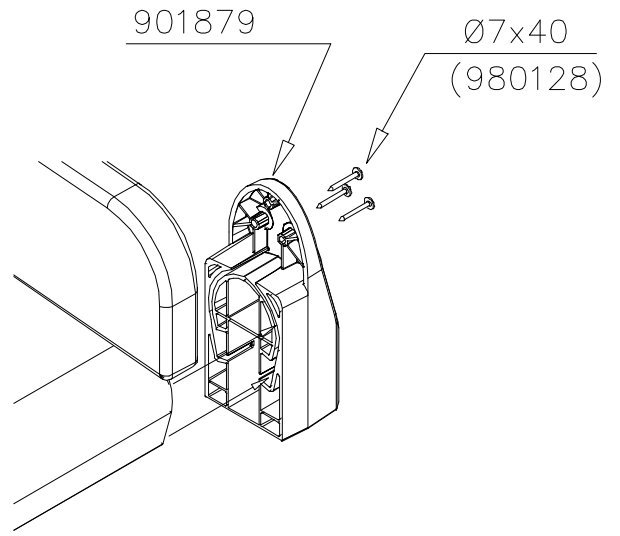
① 706176	PCS	② 901879	PCS
	1		2
870			
③ 707133	PCS	④ 901868	PCS
	1		2
10x80x745		Ø30x598	
⑤ 909210	PCS	⑥ 905051	PCS
	4		4
M8x40		Ø24/8.4	
⑦ 980128	PCS		PCS
	9		
Ø7x40			



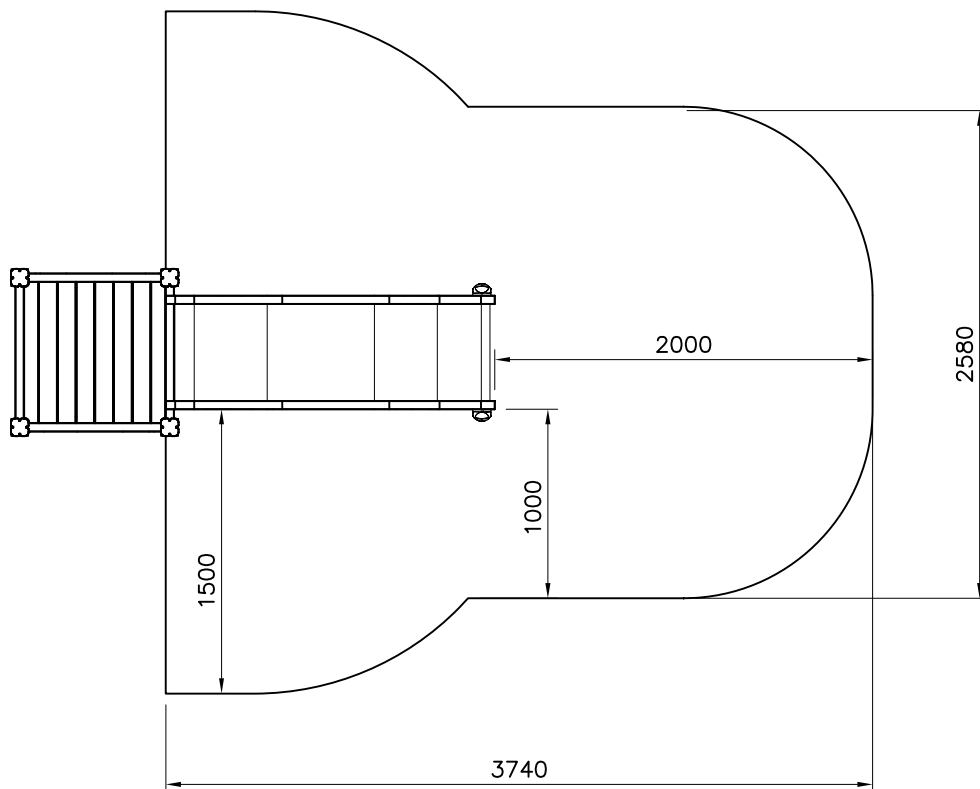
DET 2



Insert sheet metal IN to the plastic cover.

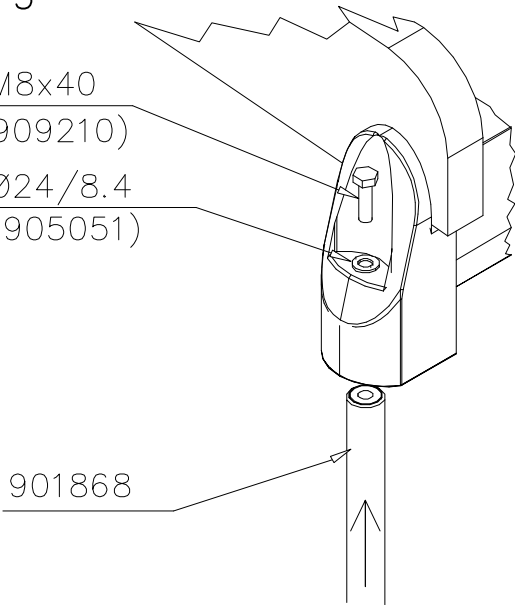


—— EN Impact Area 10.6 m<sup>2</sup>  
 - - - - Falling Space 10.6 m<sup>2</sup>  
 Max Falling Height 1000 mm.

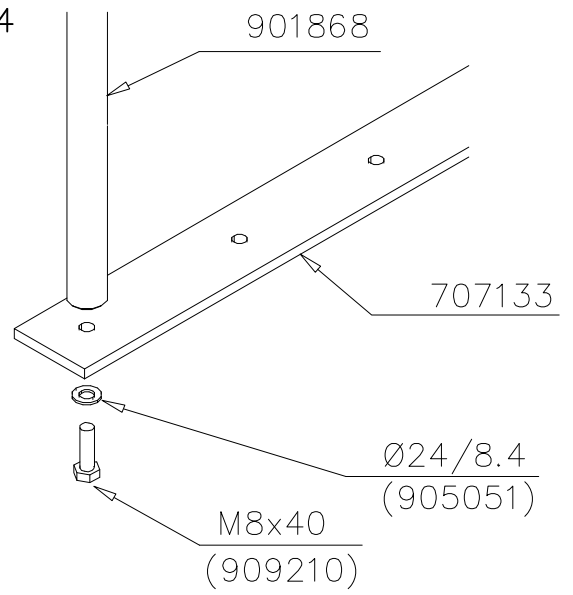


DET 3

M8x40  
(909210)  
Ø24/8.4  
(905051)



DET 4



DET 5

