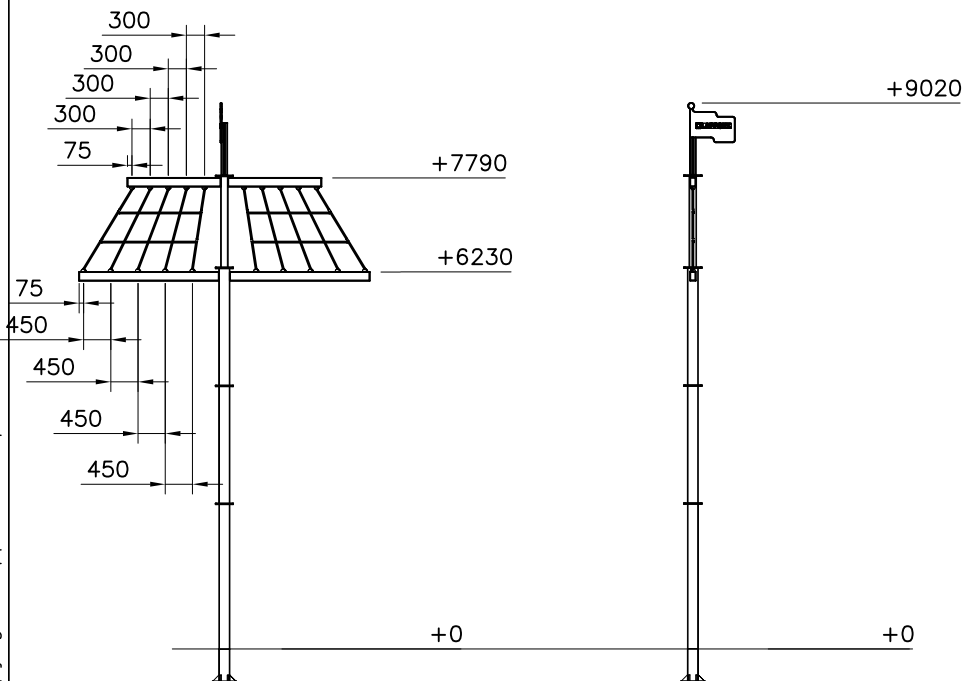
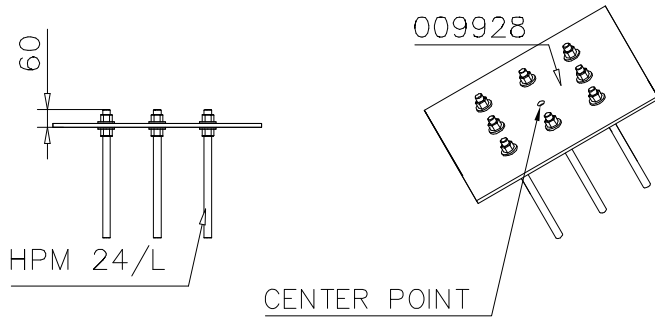


① 707485	PCS	② 707482	PCS
	2		2
		90x145x1540	
③ 707483	PCS	④ 706499	PCS
	2		1
90x145x2310		L 860	
⑤ 007969	PCS	⑥ 908228	PCS
	1		1
		L 2950	
⑦ 908231	PCS	⑧ 908232	PCS
	2		1
L 1950		L 1520	
⑨ 929830	PCS	⑩ 903093	PCS
	1		3
300x300		Ø8x90	
⑪ 900240	PCS	⑫ 909649	PCS
	40		8
Ø8x70		HPM 24/L	
⑬ 009928	PCS	⑭ 929917	PCS
	1		28
600x600		M20x50	
⑮ 909859	PCS	⑯ 929918	PCS
	56		28
Ø37/21		M20	

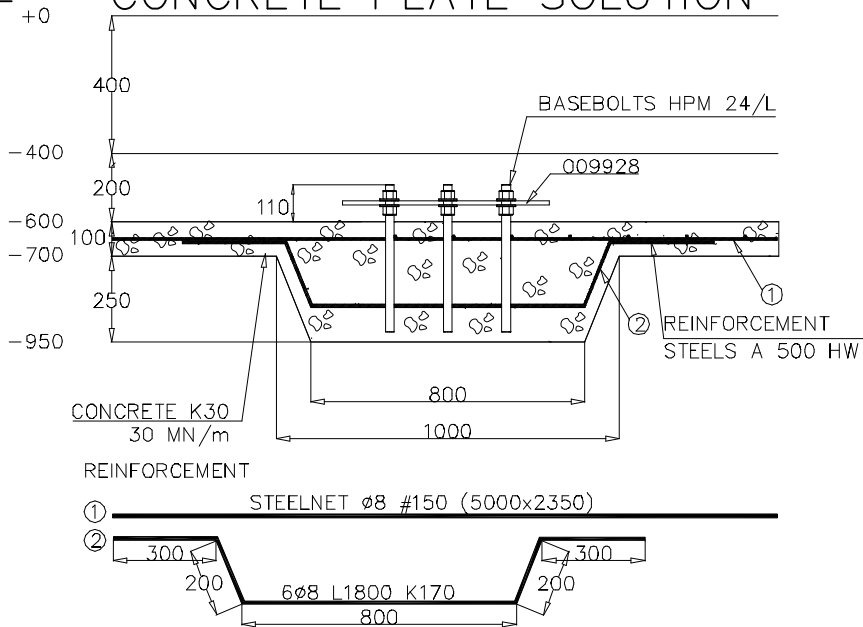


DET 1

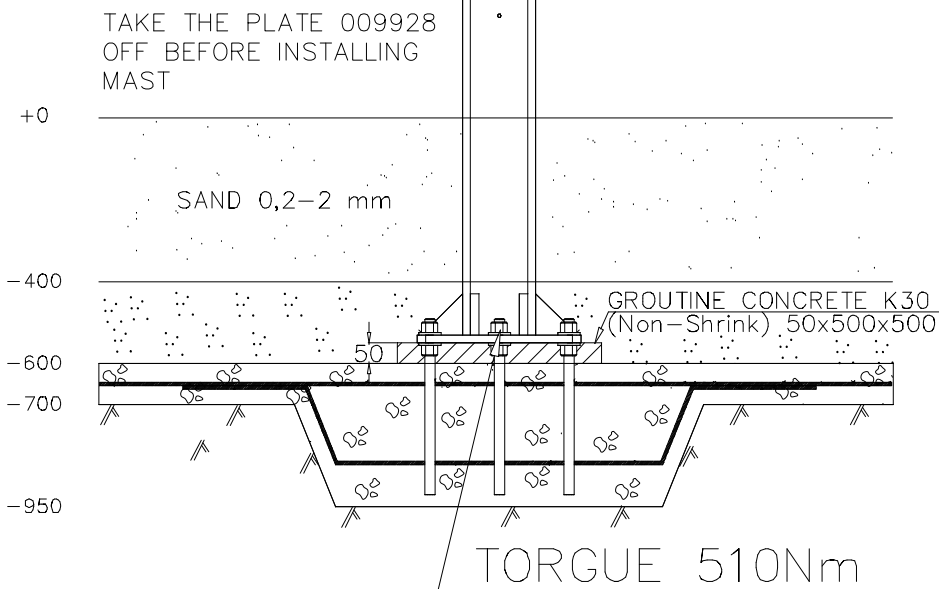


DET 2

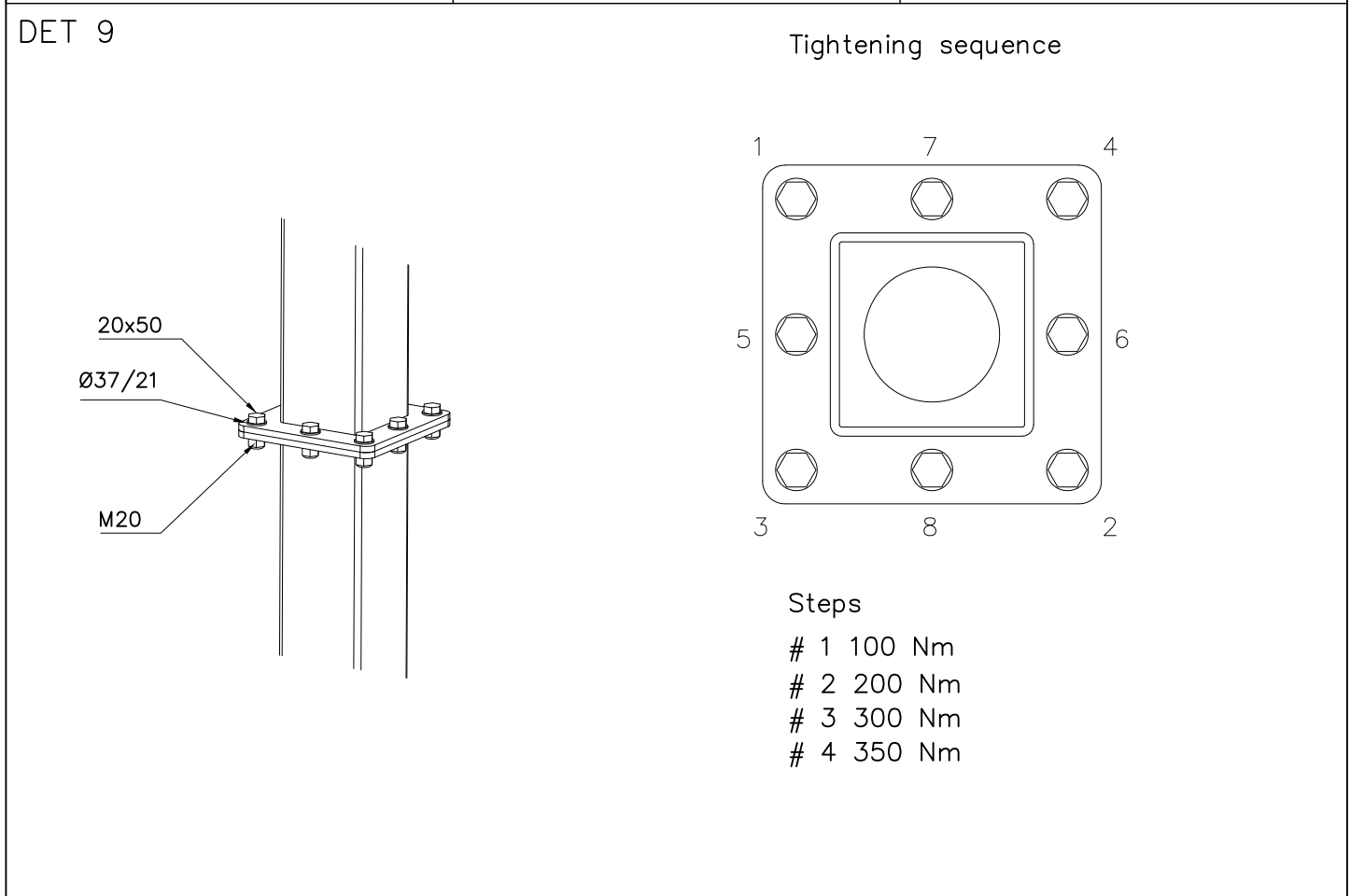
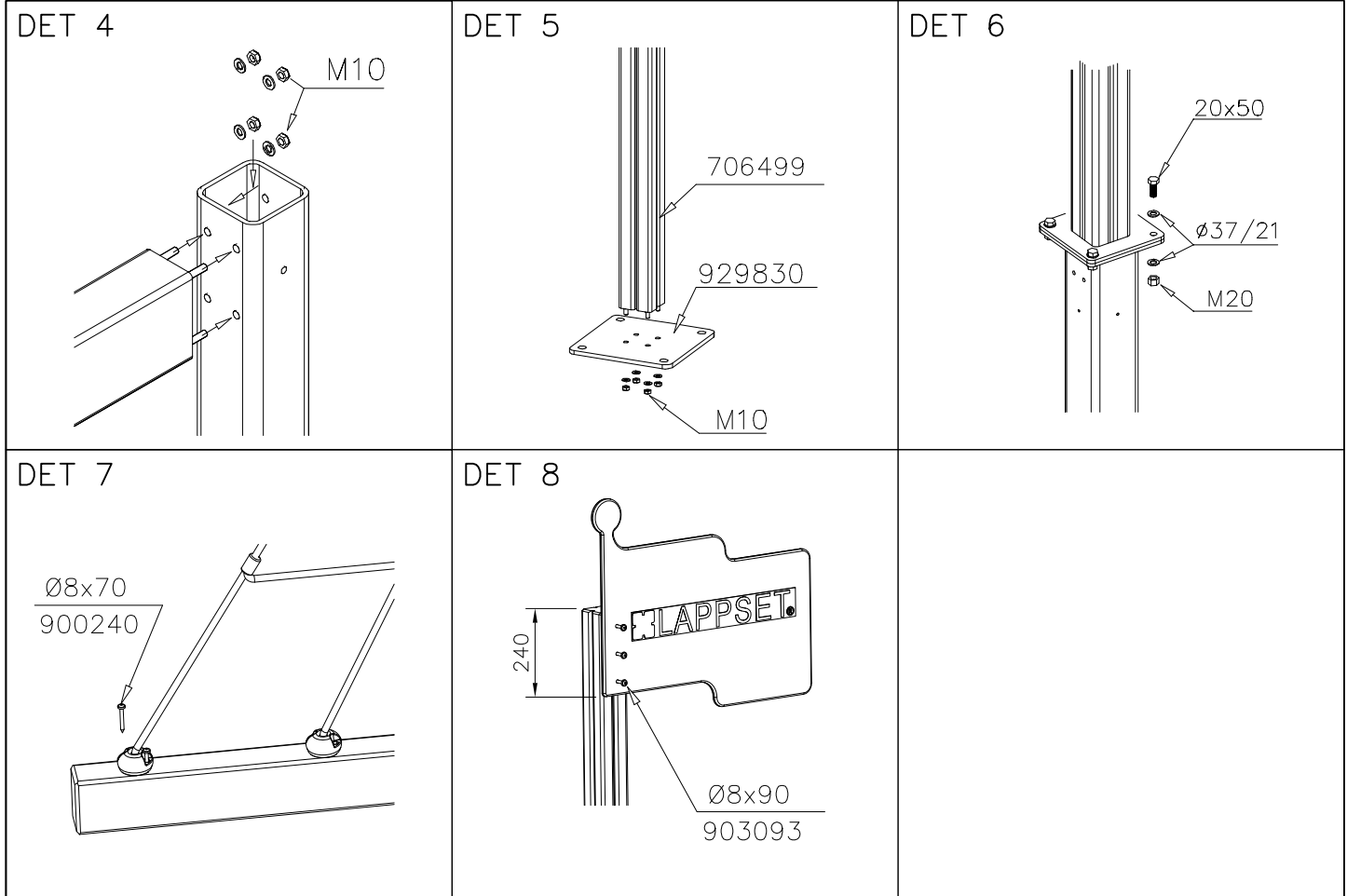
CONCRETE PLATE SOLUTION



DET 3

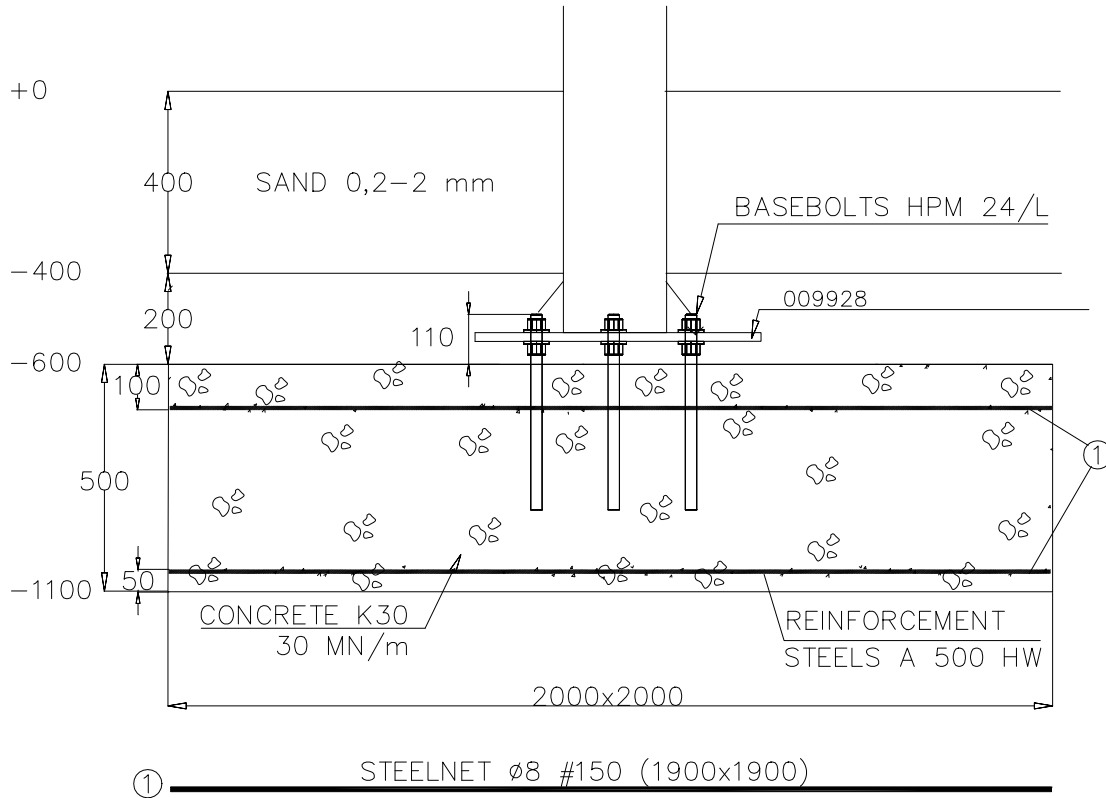


	PCS		PCS
	PCS		PCS
	PCS		PCS
	PCS		PCS



OPTION CONCRETE BLOCK SOLUTION

DET 2



DET 3

TAKE THE PLATE 009928 OFF BEFORE INSTALLING MAST

