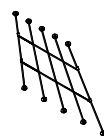
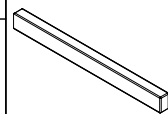
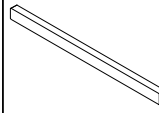

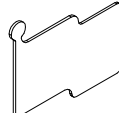


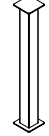

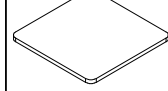


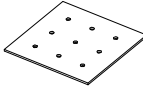
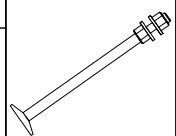

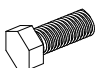
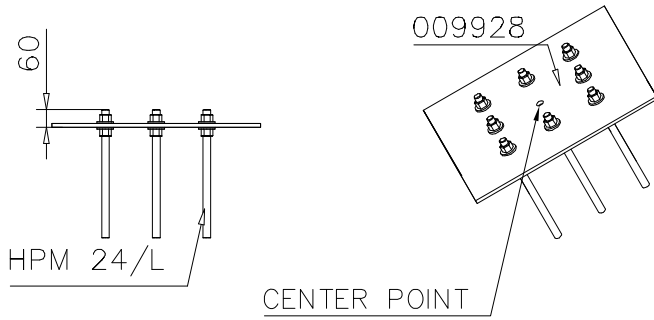



① 707485	PCS	② 707482	PCS
	2		2
		90x145x1540	
③ 707483	PCS	④ 706499	PCS
	2		1
90x145x2310		L 860	
⑤ 007969	PCS	⑥ 908228	PCS
	1		1
		L 2950	
⑦ 908230	PCS	⑧ 908231	PCS
	1		1
L 2942		L 1950	
⑨ 908232	PCS	⑩ 929830	PCS
	1		1
L 1520		300x300	
⑪ 900240	PCS	⑫ 903093	PCS
	40		3
Ø8x70		Ø8x90	
⑬ 009928	PCS	⑭ 909649	PCS
	1		8
600x600		HPM 24/L	
⑮ 909859	PCS	⑯ 929917	PCS
	56		28
Ø37/21		M20x50	

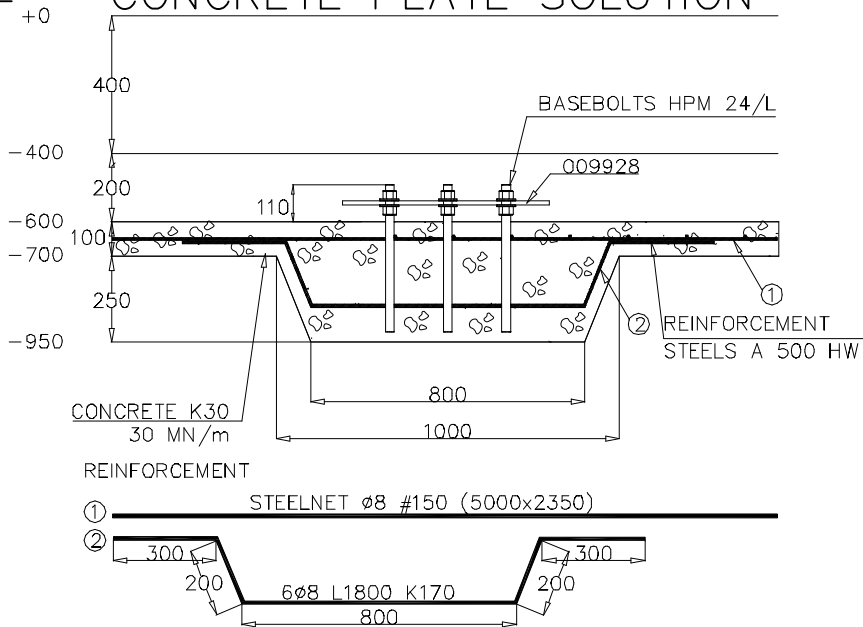
DET 1



PCS	17	929918	PCS
			28
			
		M20	

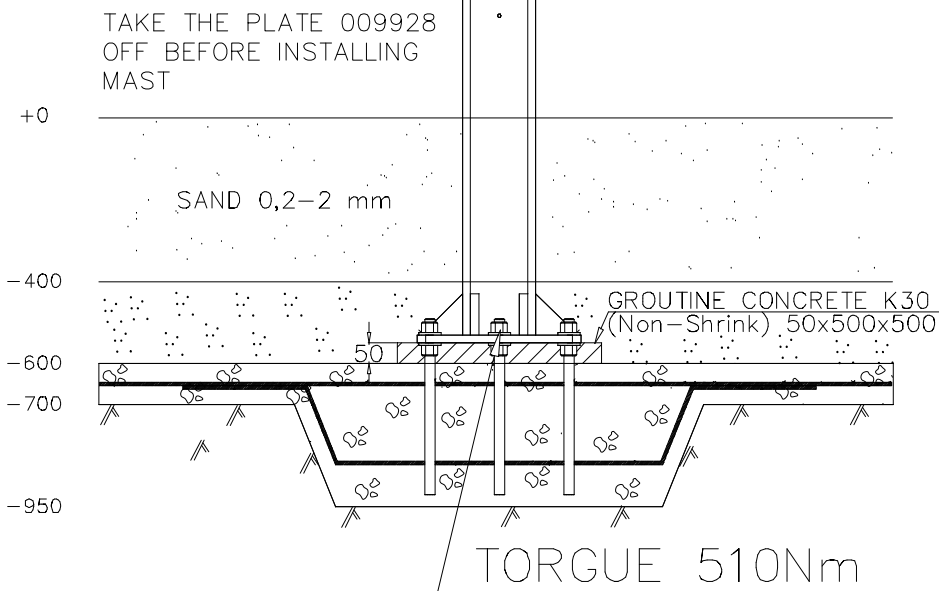
DET 2

CONCRETE PLATE SOLUTION



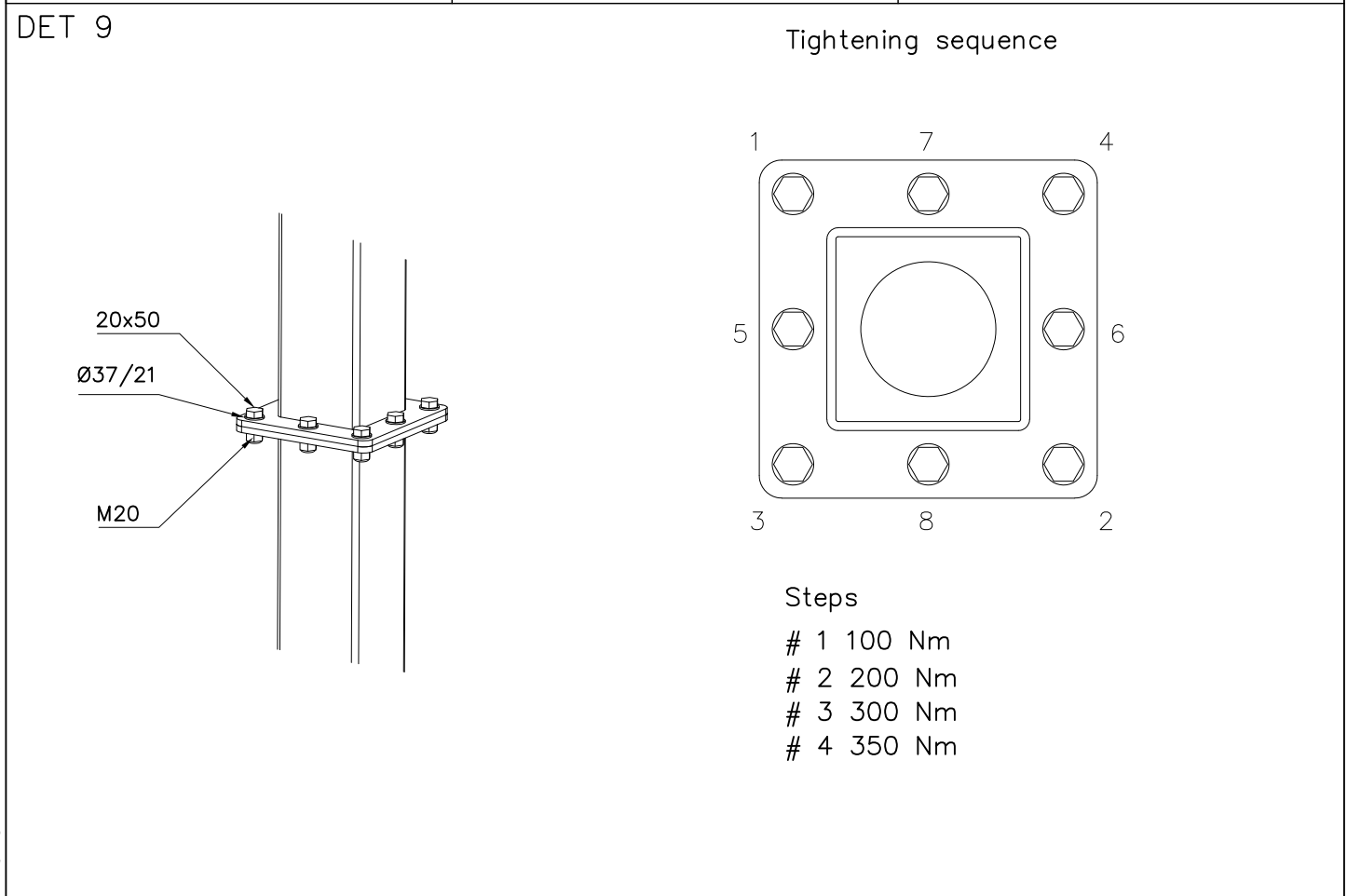
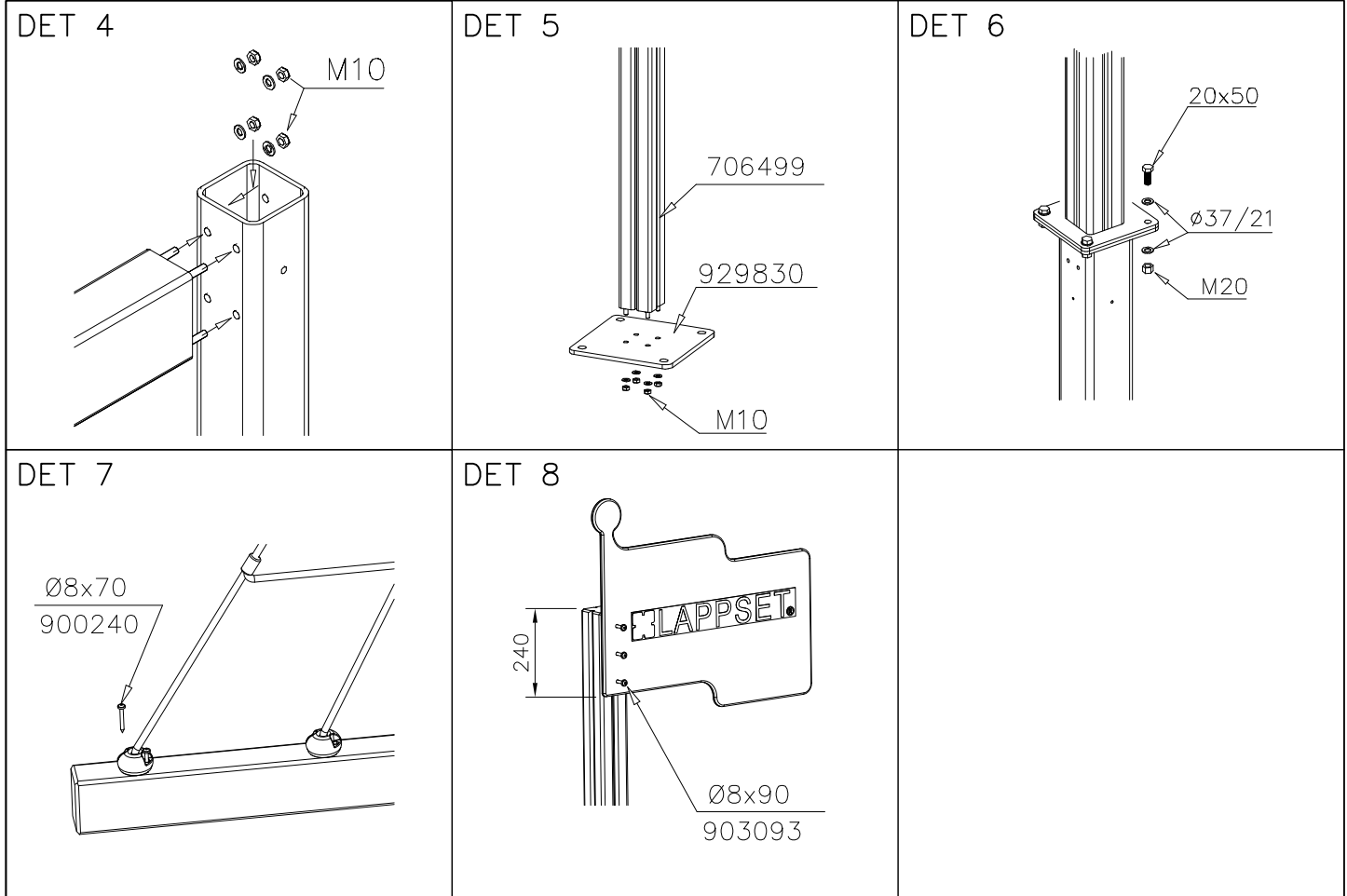
PCS			PCS

DET 3



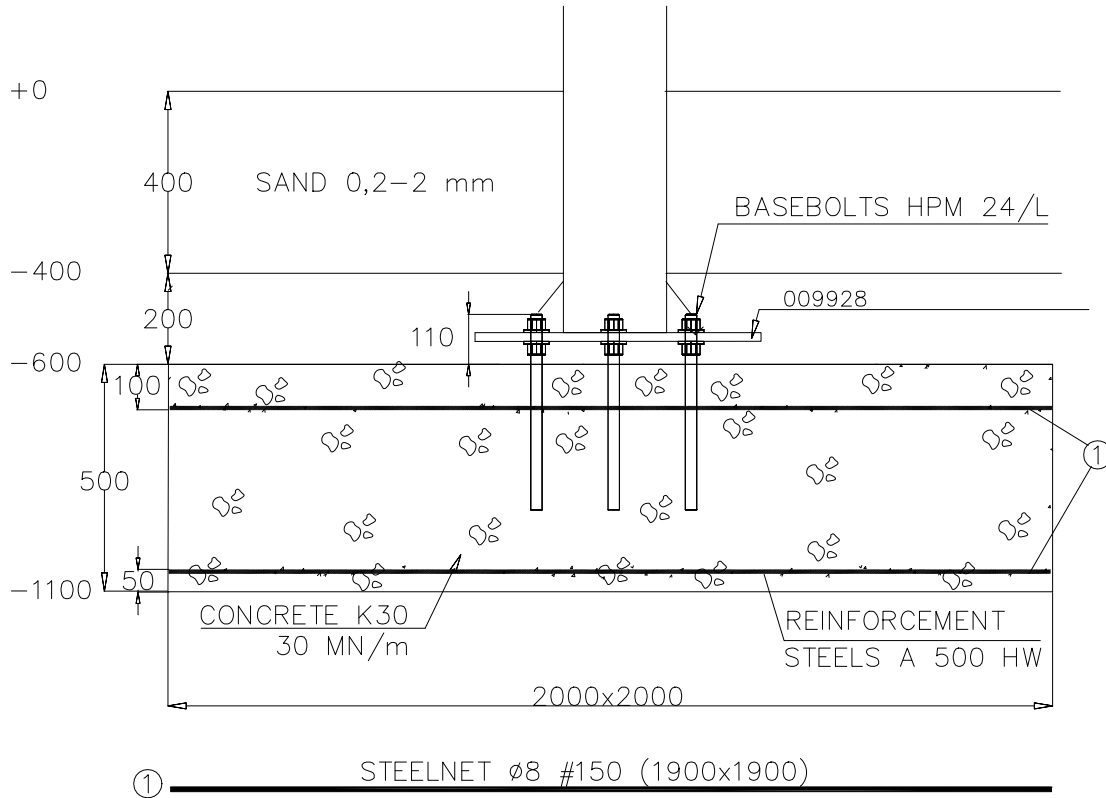
PCS			PCS

PCS			PCS



OPTION CONCRETE BLOCK SOLUTION

DET 2



① STEELNET $\phi 8$ #150 (1900x1900)

DET 3

TAKE THE PLATE 009928
OFF BEFORE INSTALLING
MAST

