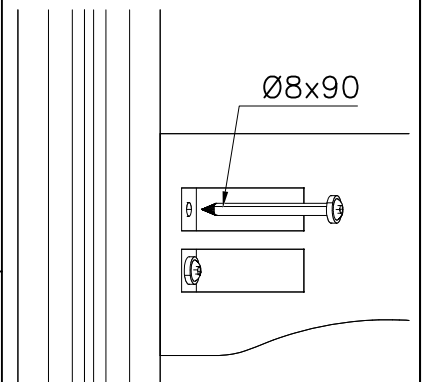
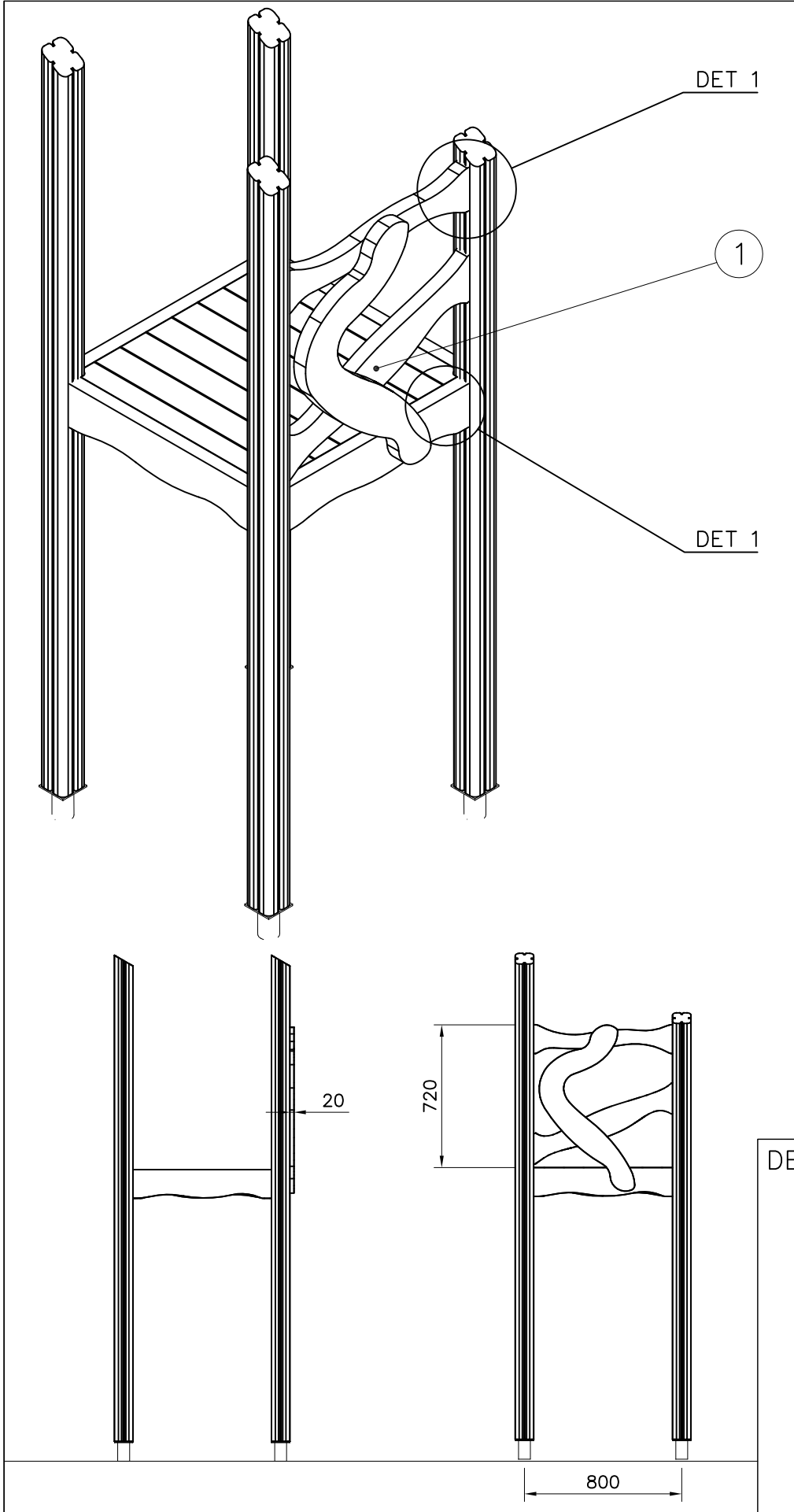
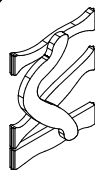
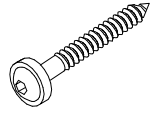


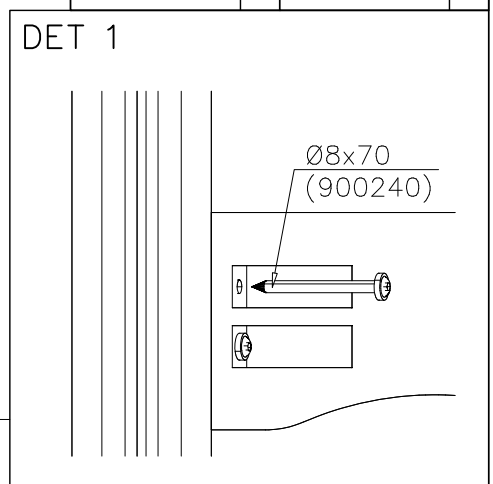
① 705210	PCS	② 903093	PCS
	1		8
		Ø8x90	
	PCS		PCS
	PCS		PCS
	PCS		PCS
	PCS		PCS

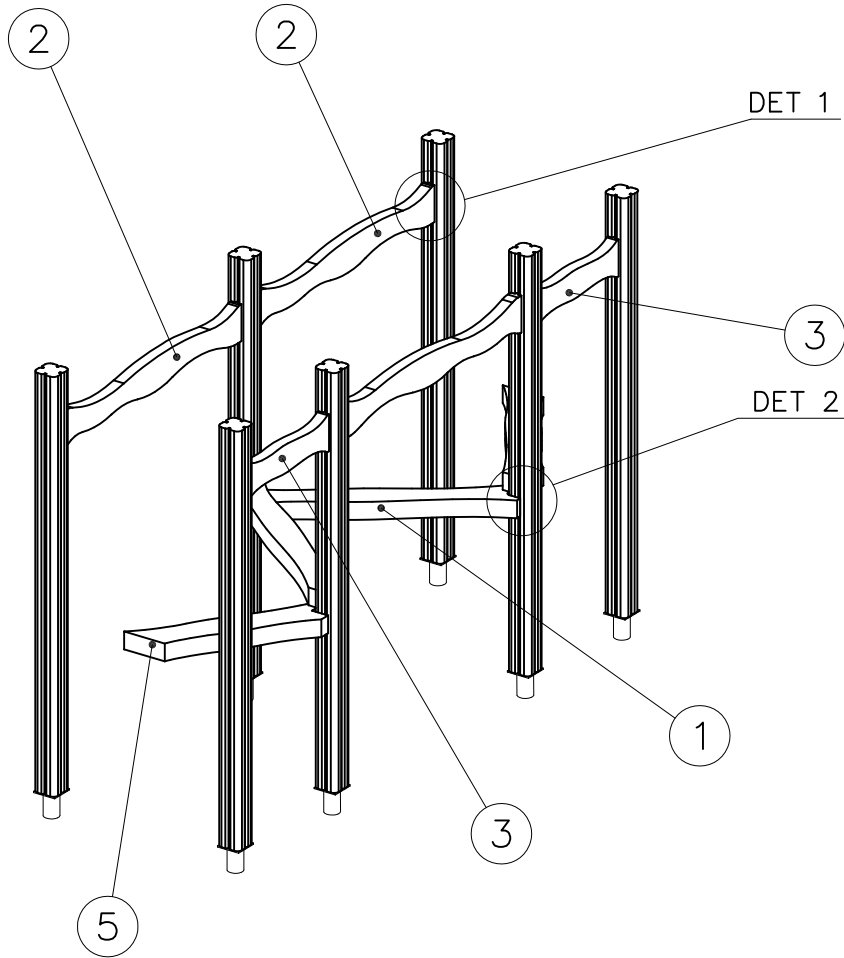
DET 1

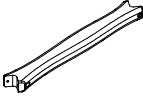

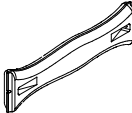
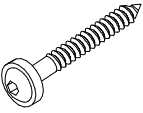

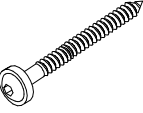




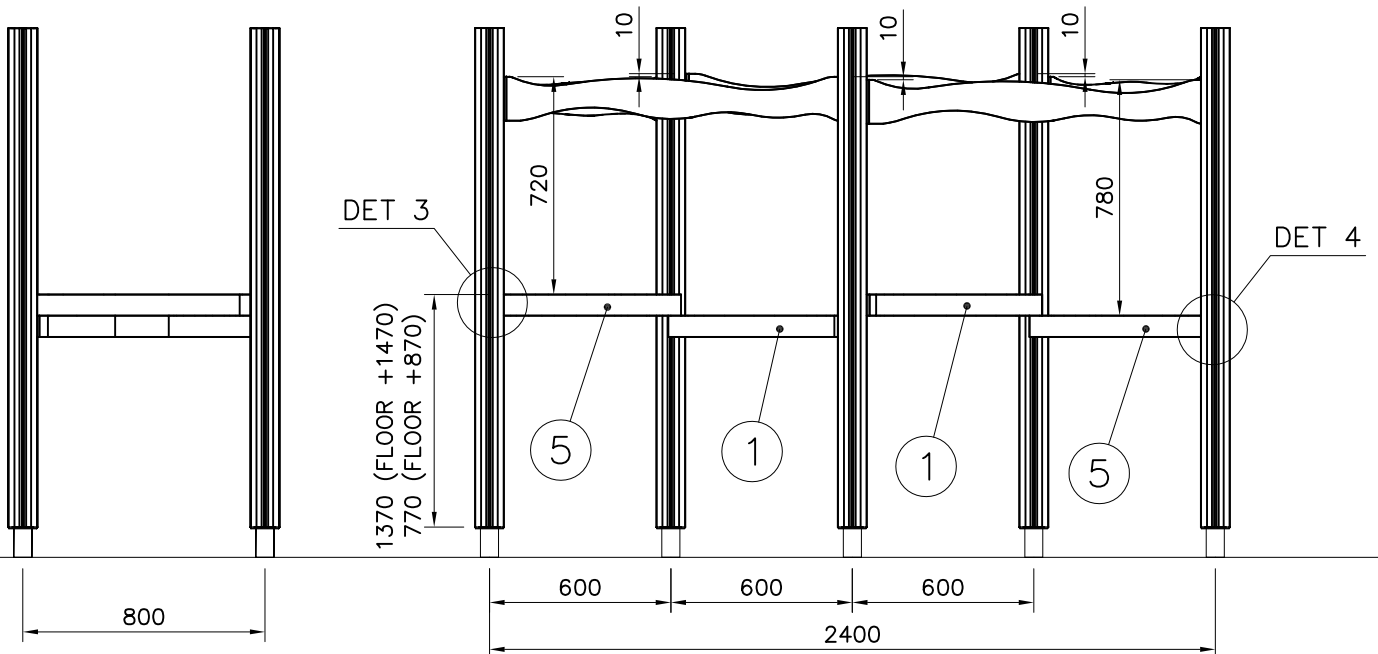


① 705215	PCS	② 900240	PCS
	1		8
		Ø8x70	
	PCS		PCS
	PCS		PCS
	PCS		PCS
	PCS		PCS
	PCS		PCS

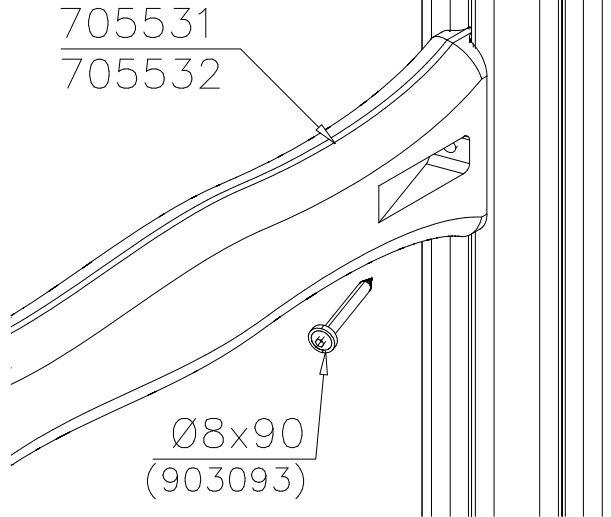




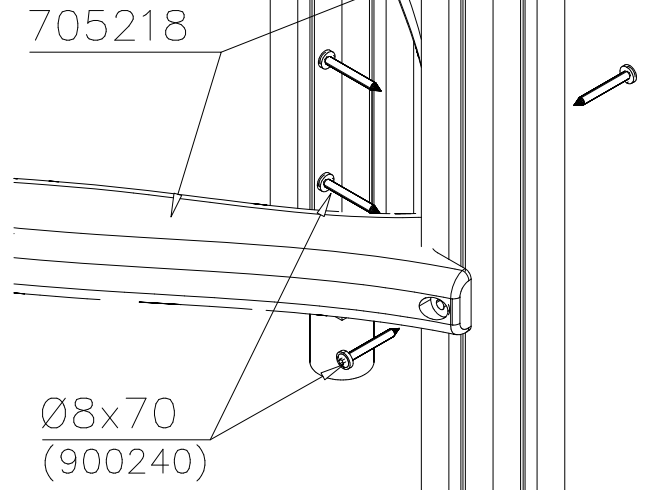
① 705218	PCS	② 705531	PCS
	2		3
70x145x965		45x145x1124	
③ 705532	PCS	④ 900240	PCS
	2		12
45x145x527		Ø8x70	
⑤ 705541	PCS	⑥ 903093	PCS
	2		12
70x145x770		Ø8x90	
⑦ 909230	PCS	⑧ 905051	PCS
	2		2
8x150		Ø24/8.5	



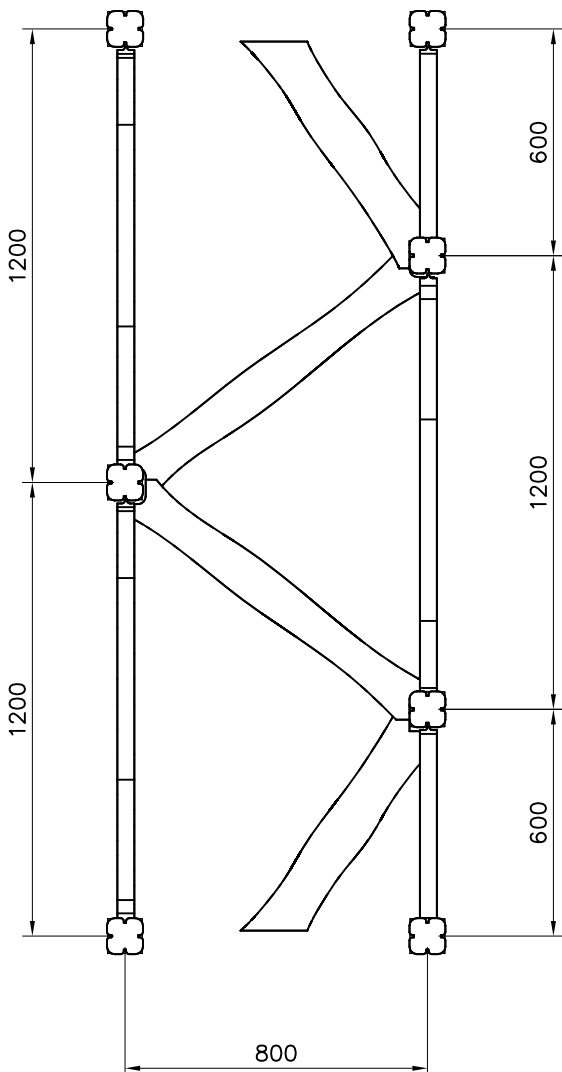
DET 1



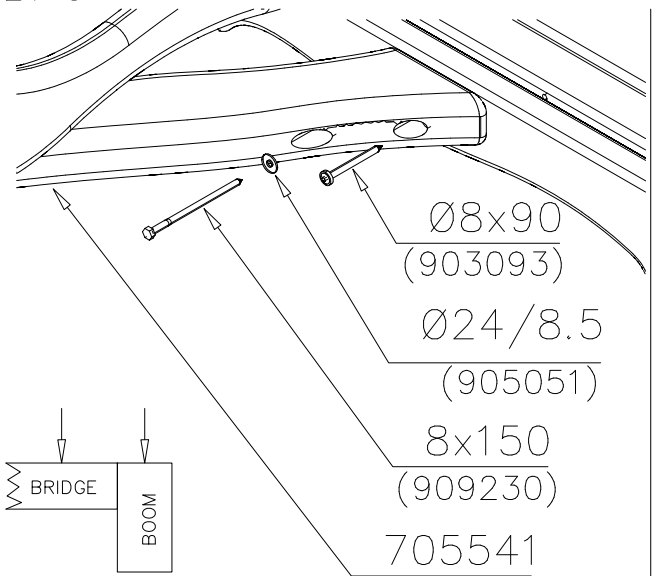
DET 2



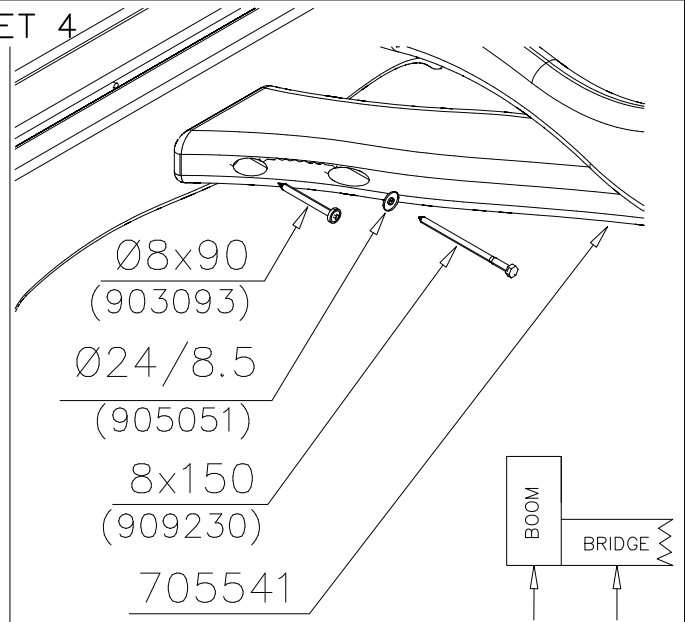
1:20

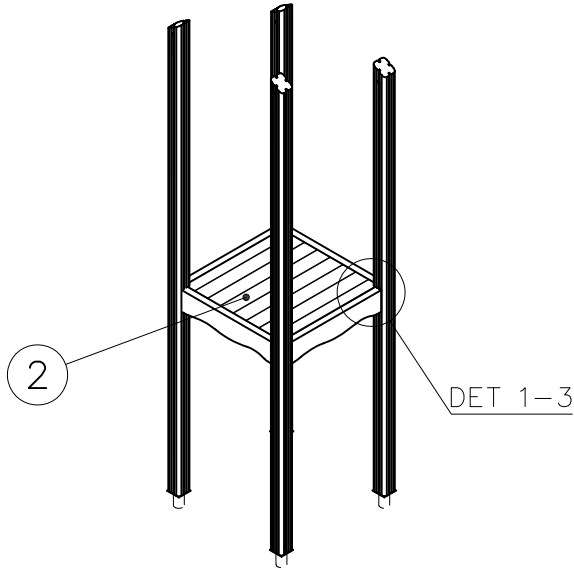


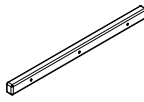

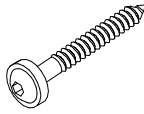

DET 3

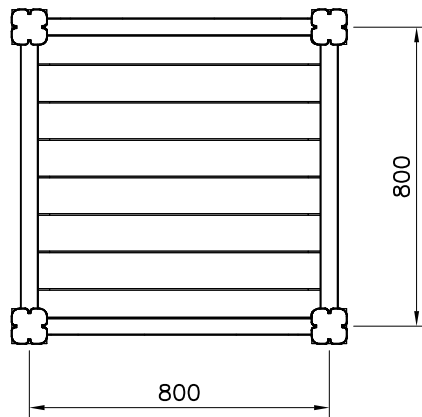


DET 4

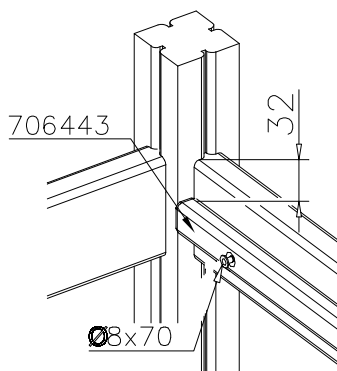




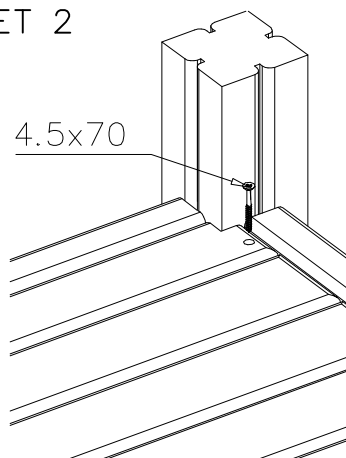
① 706443	PCS	② 705257	PCS
	2		1
32x45x702		32x750x750	
③ 900240	PCS	④ 980101	PCS
	6		8
Ø8x70		Ø4.5x70	
	PCS		PCS
	PCS		PCS



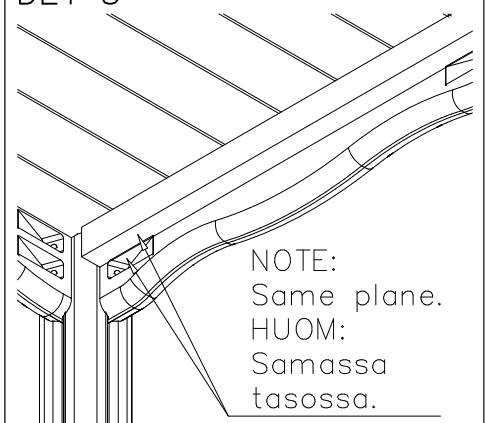
DET 1

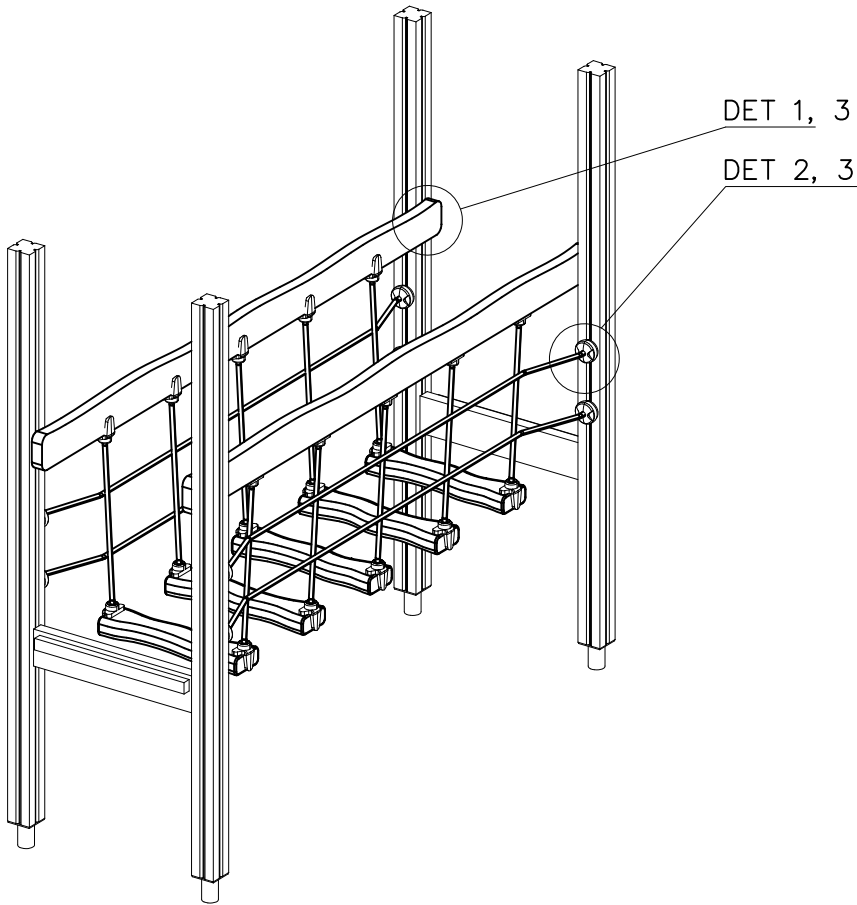


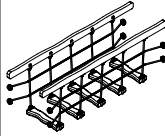
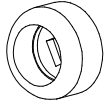



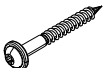
DET 2

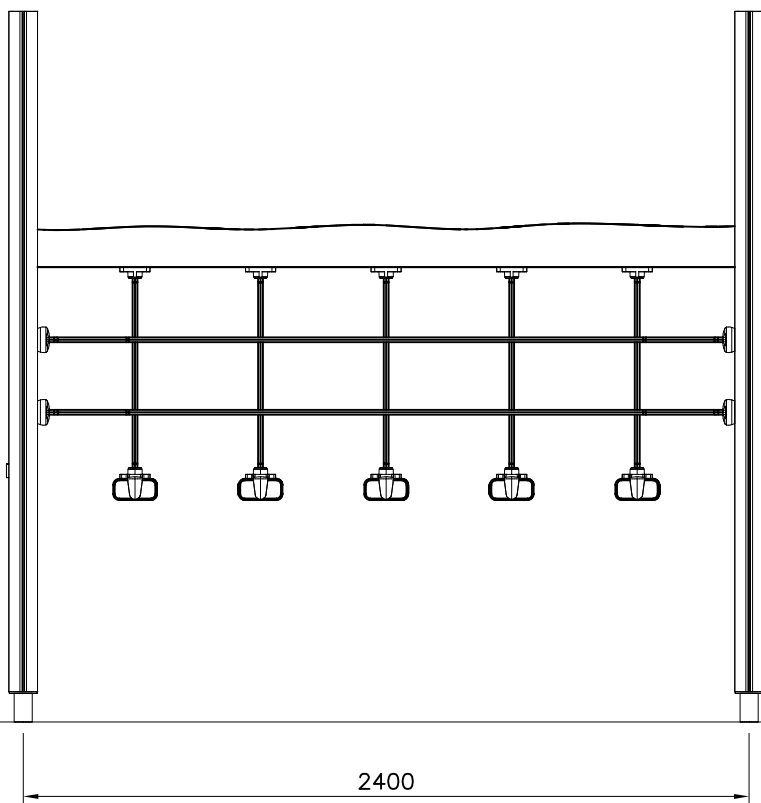
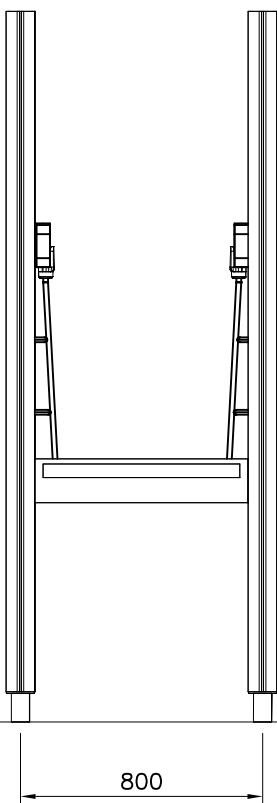


DET 3

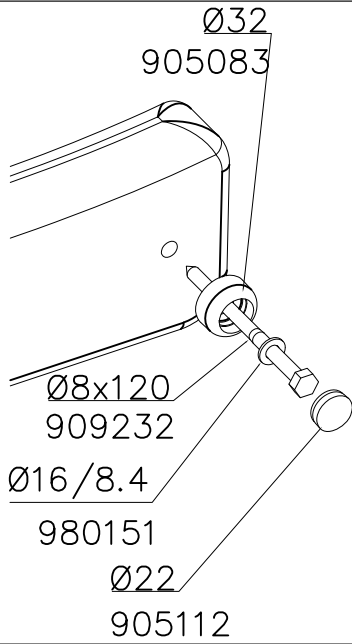




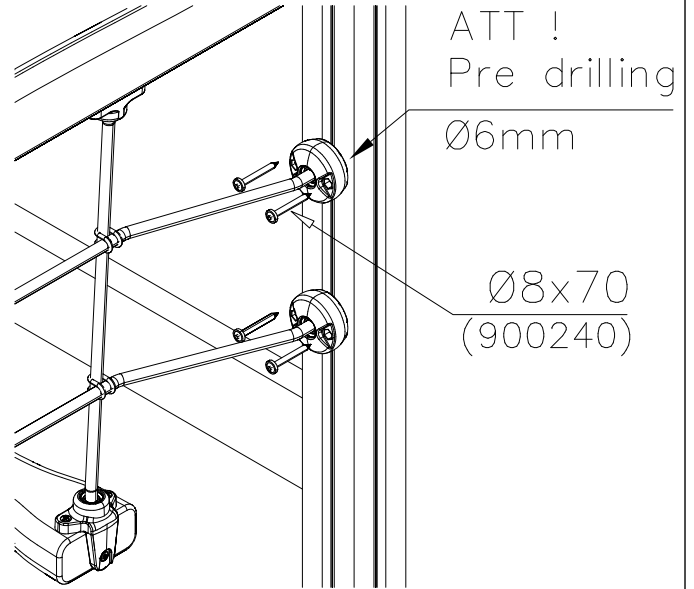
① 705248	PCS	② 905083	PCS
	1		4
		Ø32	
③ 905112	PCS	④ 909232	PCS
	4		4
Ø22		Ø8x120	
⑤ 980151	PCS	⑥ 900240	PCS
	4		16
Ø16/8.4		Ø8x70	
	PCS		PCS



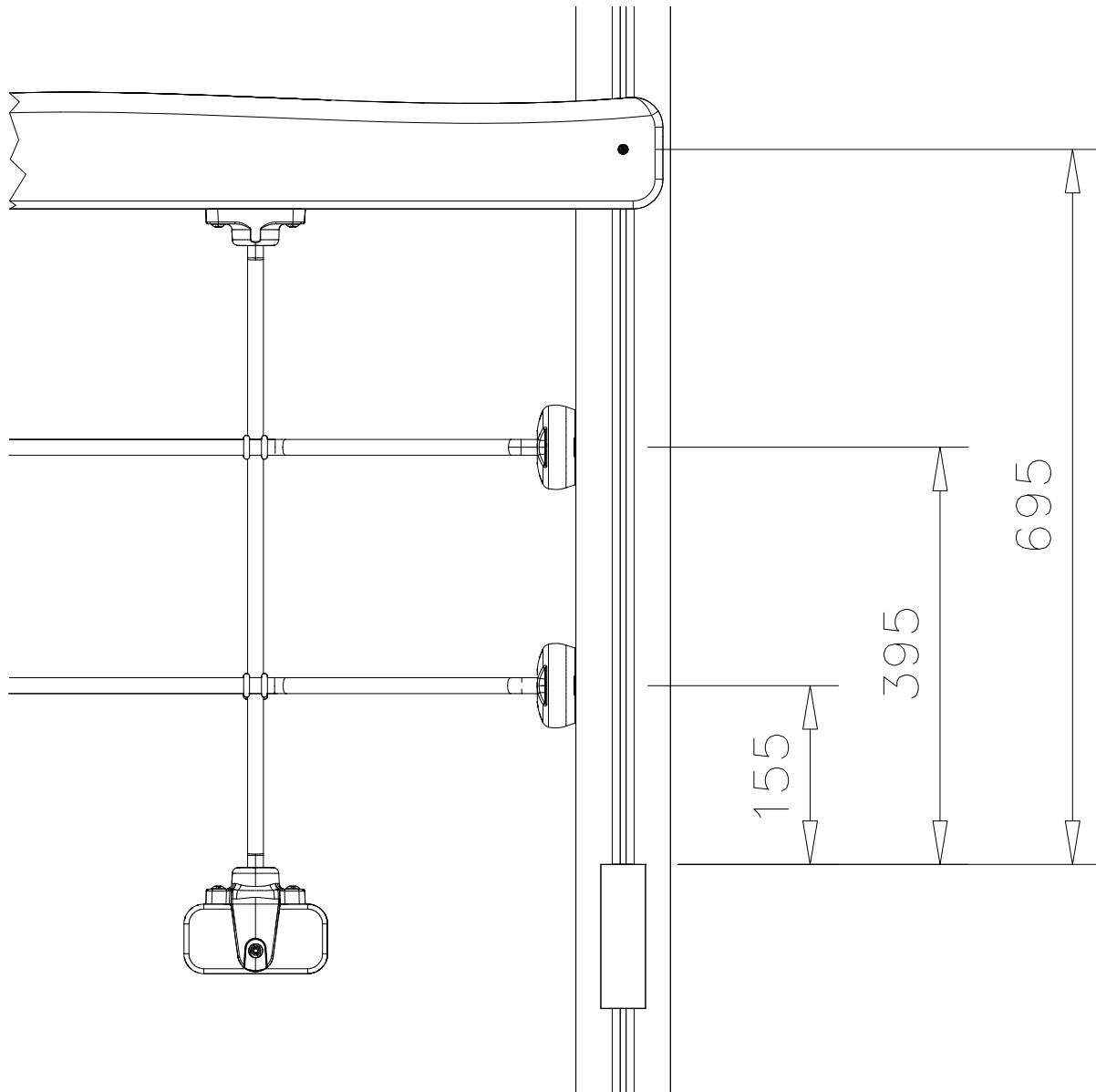
DET 1

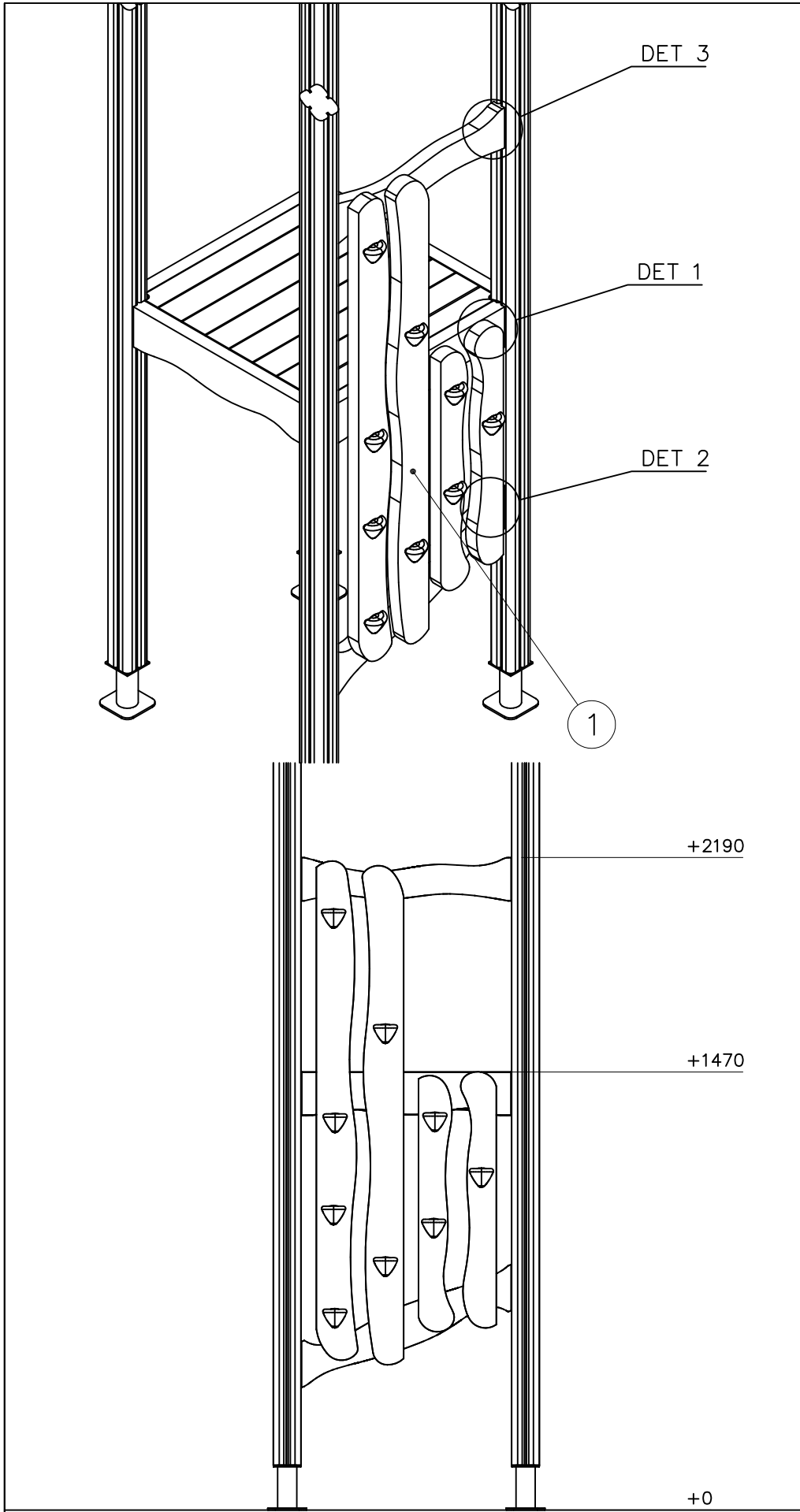


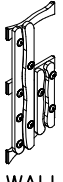
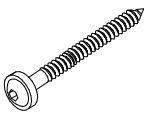
DET 2



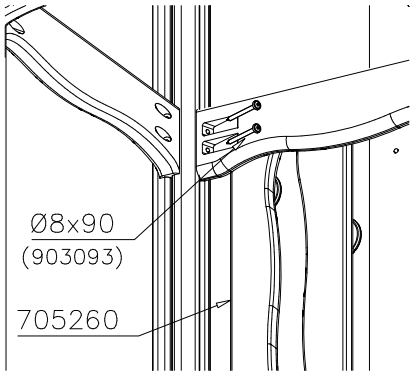
DET 3



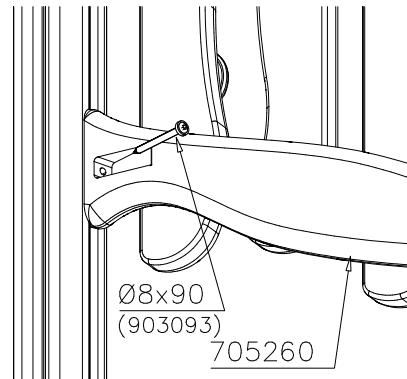


① 705260	PCS	② 903093	PCS
	1		10
WALL		Ø8x90	
	PCS		PCS
	PCS		PCS
	PCS		PCS
	PCS		PCS
	PCS		PCS
	PCS		PCS

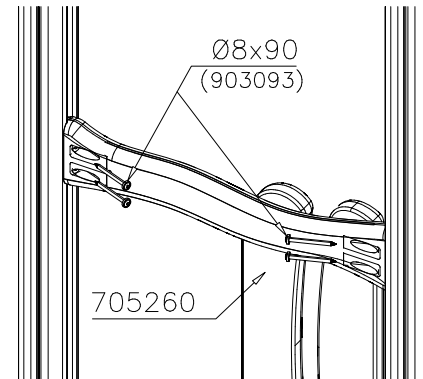
DET 1

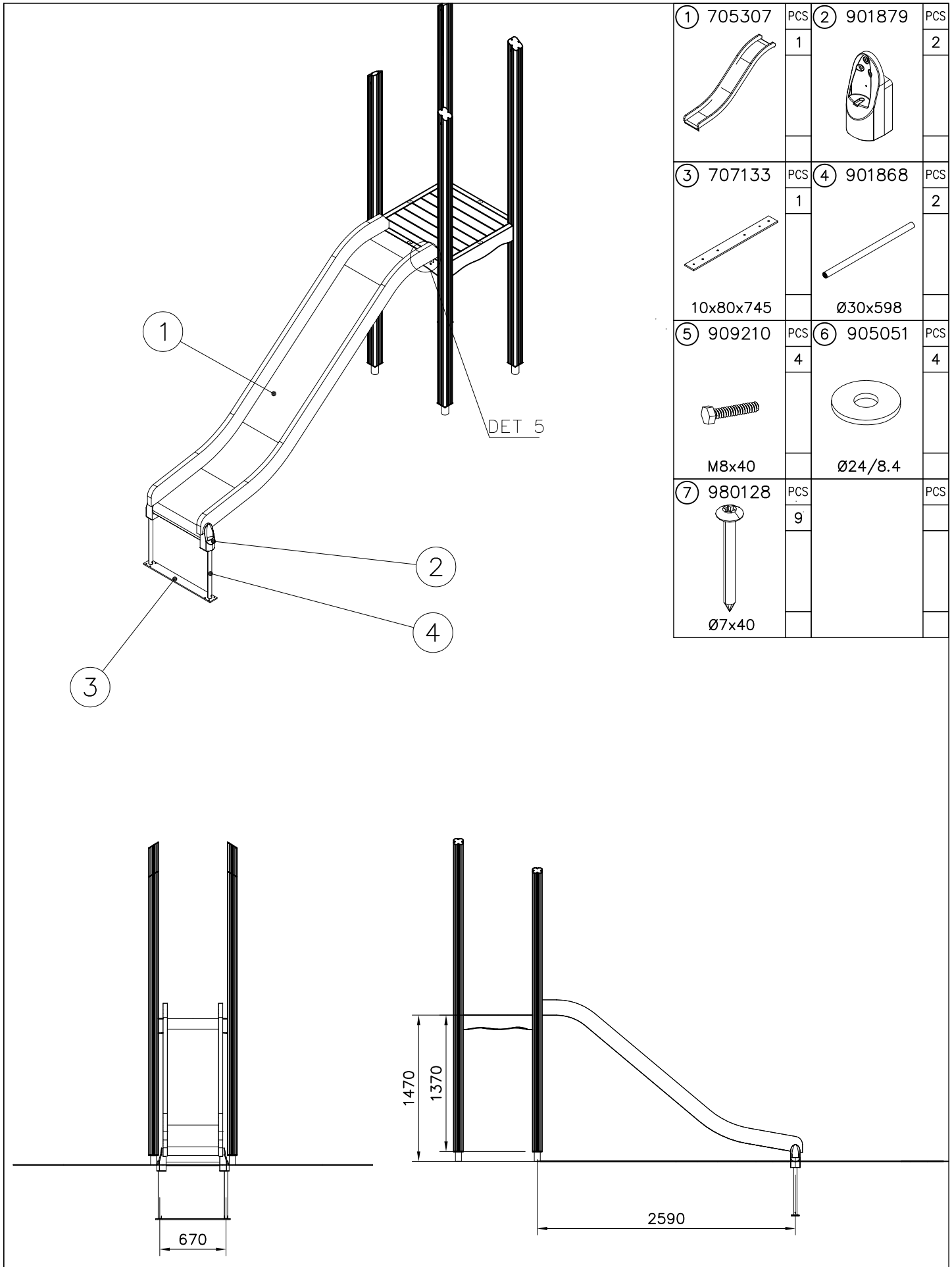


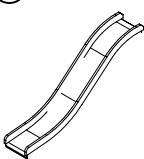
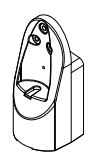
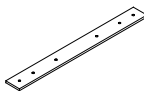
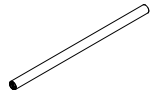



DET 2



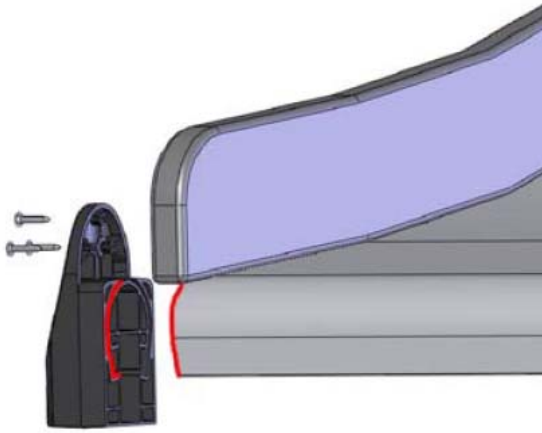
DET 3



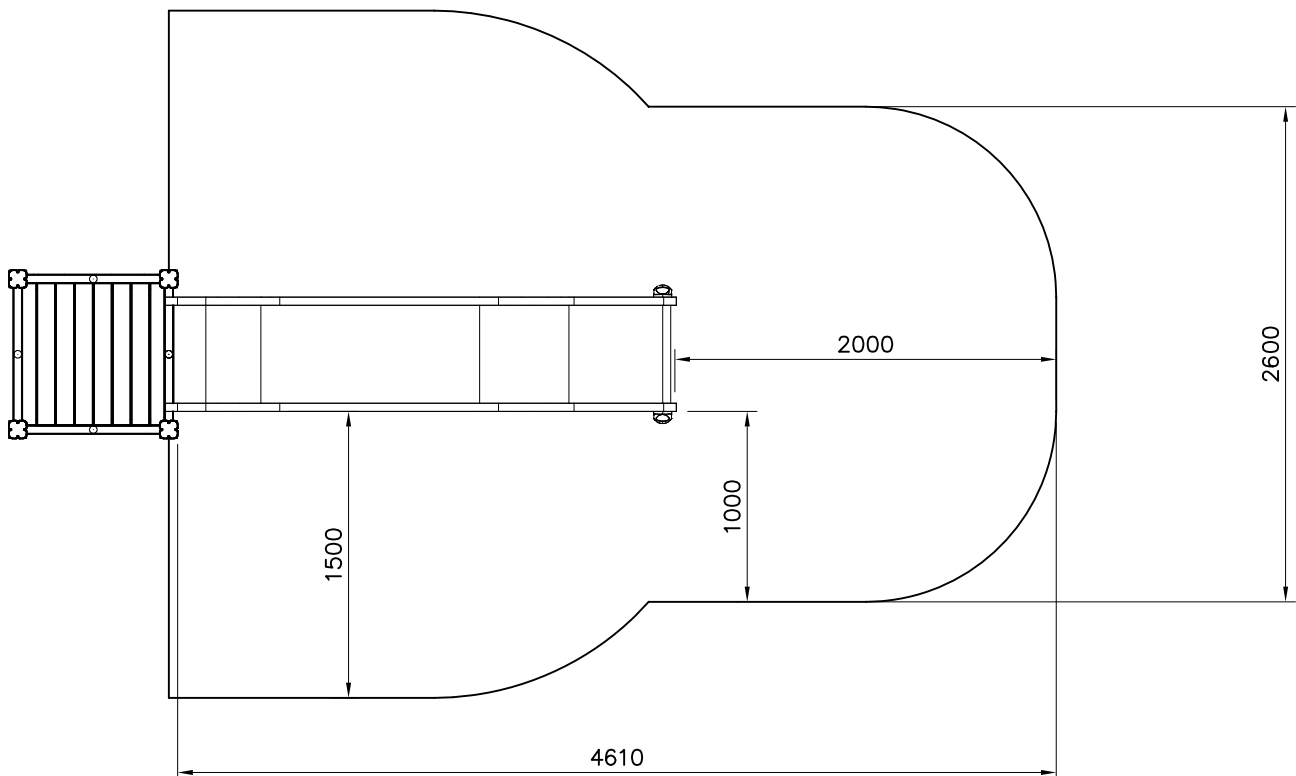
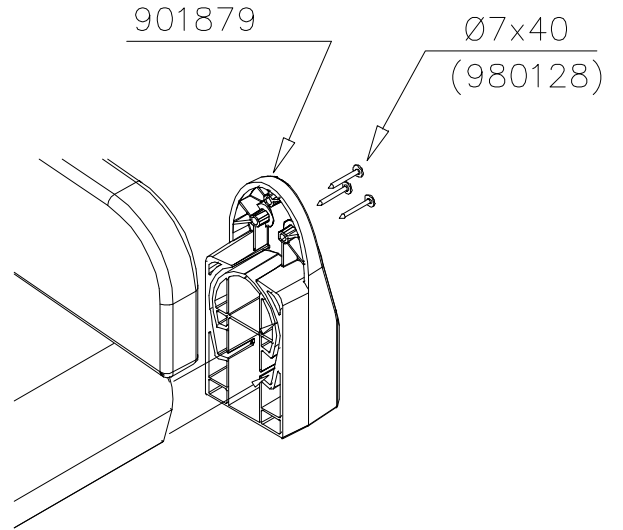


① 705307	PCS	② 901879	PCS
	1		2
③ 707133	PCS	④ 901868	PCS
	1		2
10x80x745		Ø30x598	
⑤ 909210	PCS	⑥ 905051	PCS
	4		4
M8x40		Ø24/8.4	
⑦ 980128	PCS		PCS
	9		
Ø7x40			

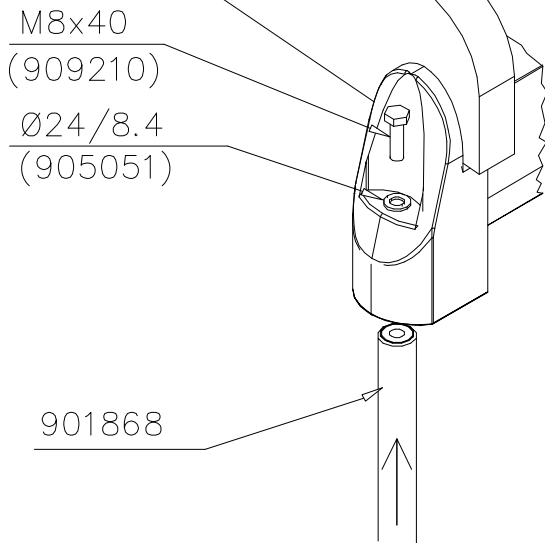
DET 2



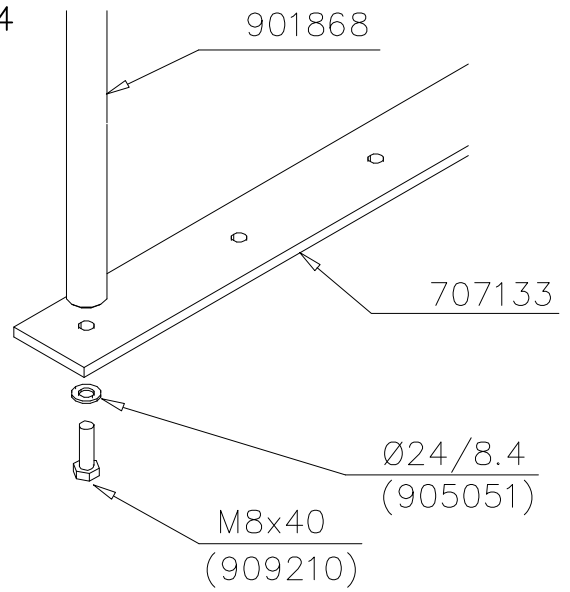
Insert sheet metal IN to the plastic cover.



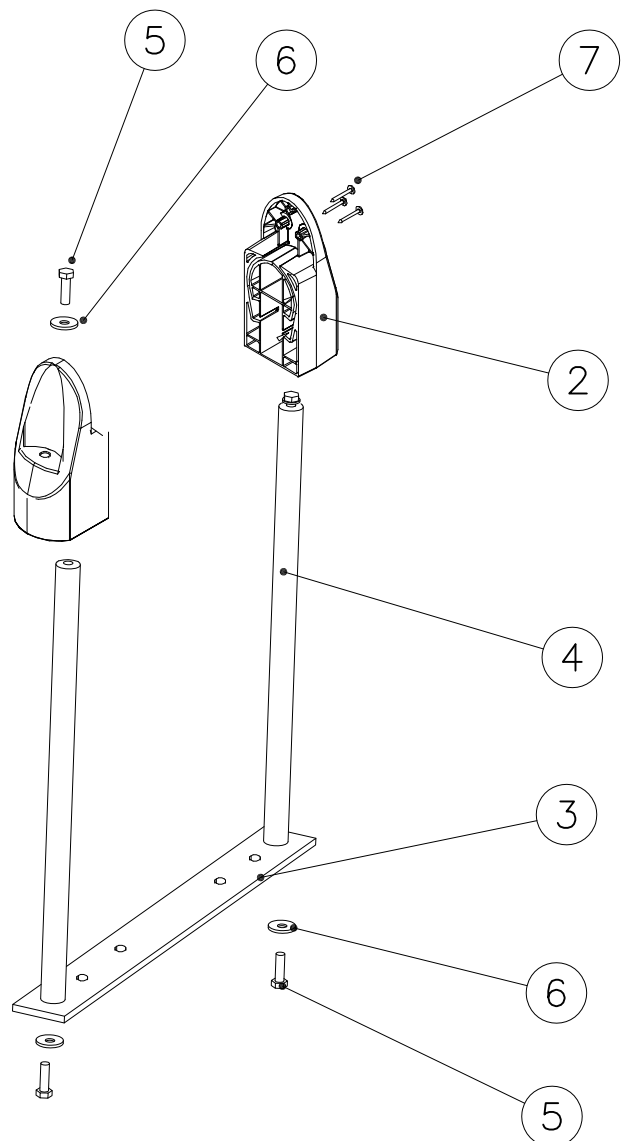
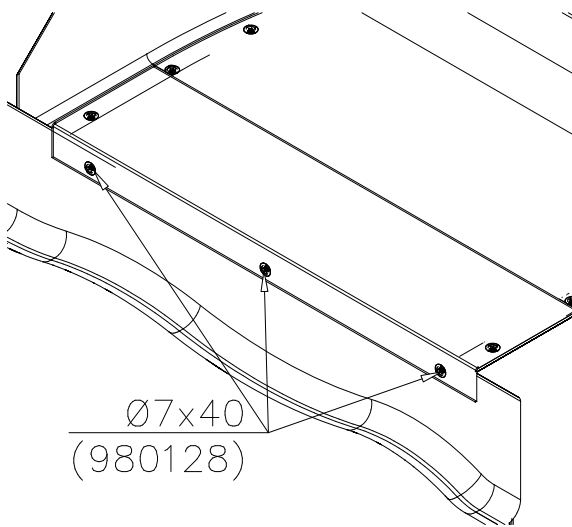
DET 3

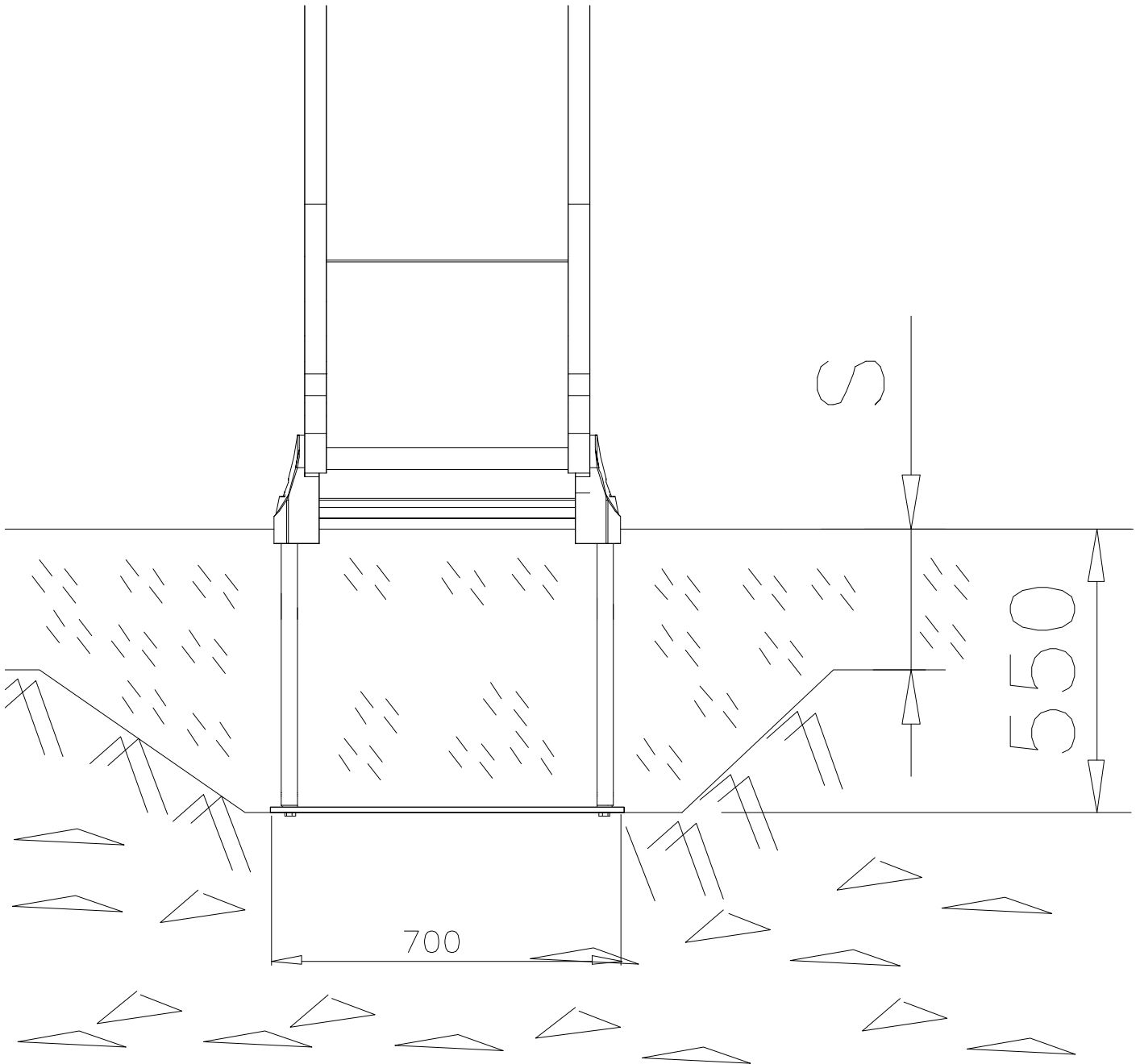


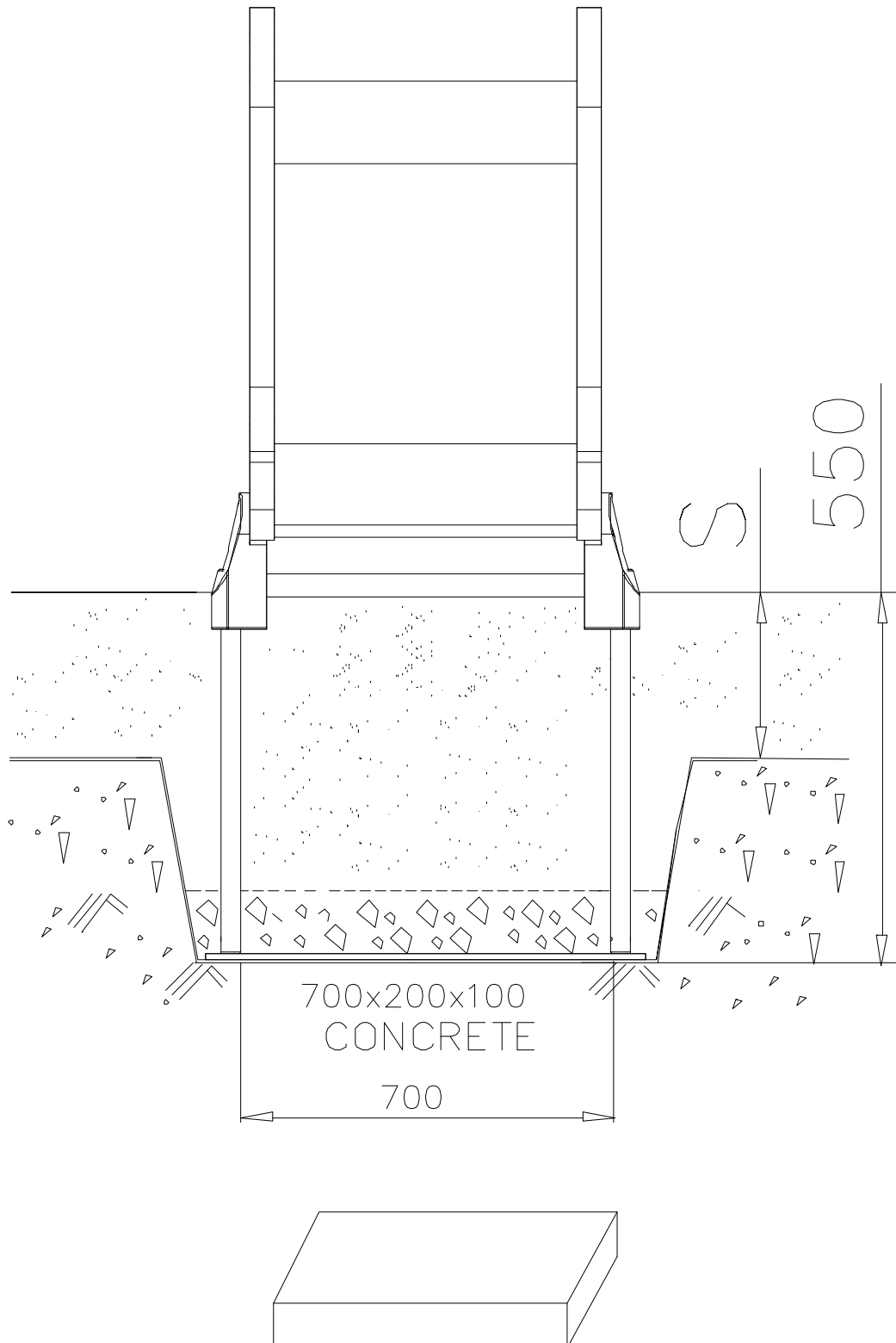
DET 4

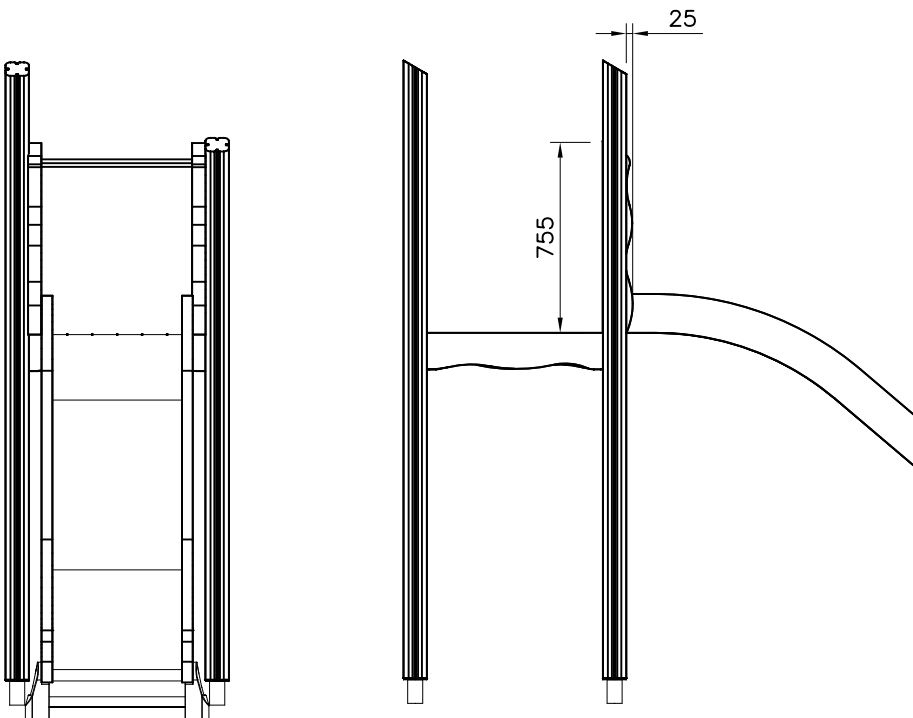
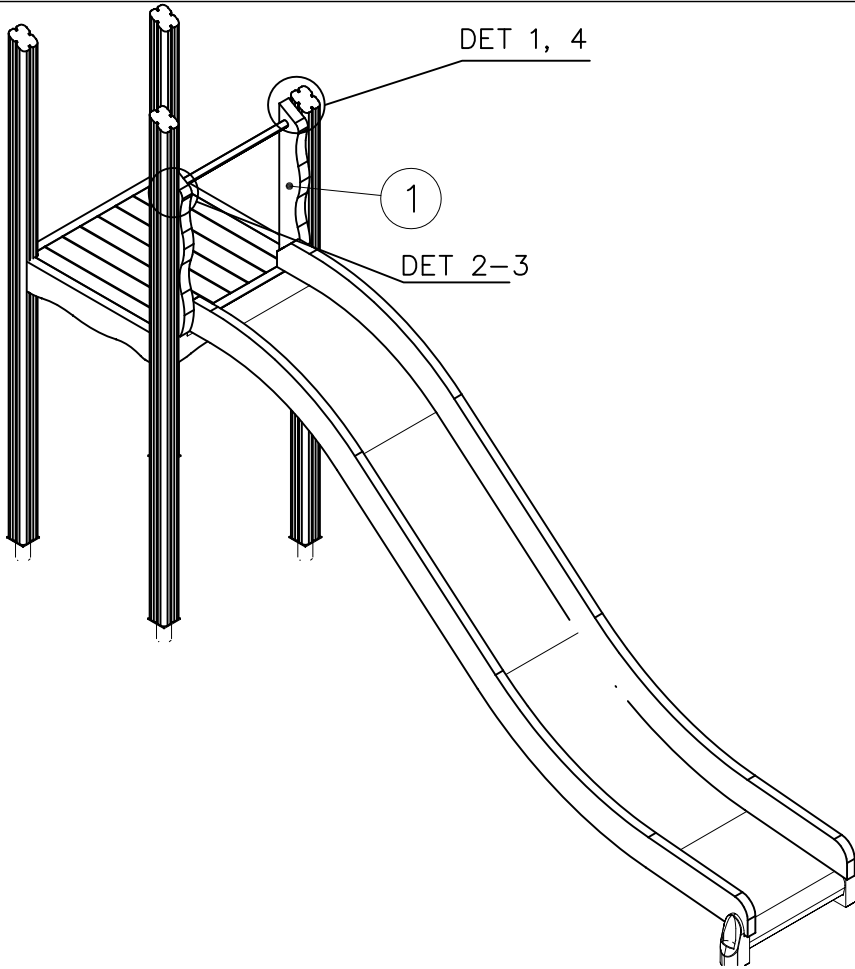



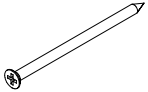
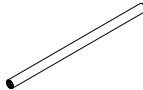
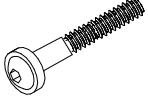

DET 5









① 705245	PCS	② 980104	PCS
	2		12
53x119x754		Ø5x90	
③ 901868	PCS	④ 909867	PCS
	1		2
Ø34x598		M8x70	
⑤ 999561	PCS		PCS
	1		
10 g			
	PCS		PCS
	PCS		PCS
	PCS		PCS
	PCS		PCS
	PCS		PCS

DET 1

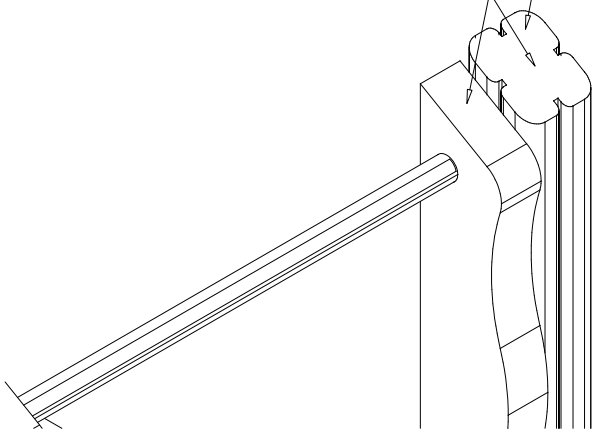
NOTE:

Chamfers of the pole and narrower must be mounted in the same direction.

HUOM:

Tolpan ja kaventajan viisteet täytyy asentaa saman suuntaan.

705221

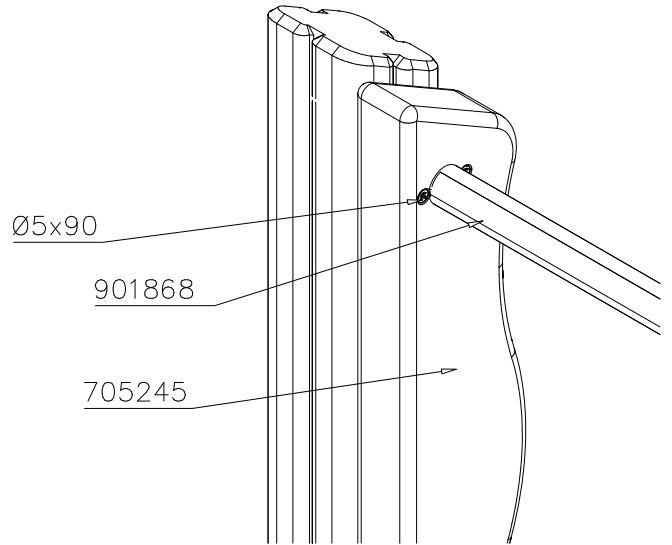


DET 2

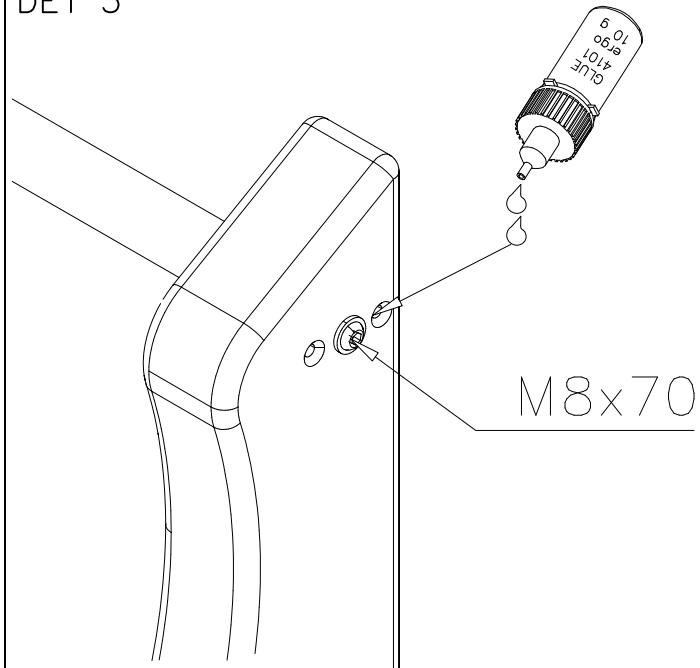
Ø5x90

901868

705245



DET 3

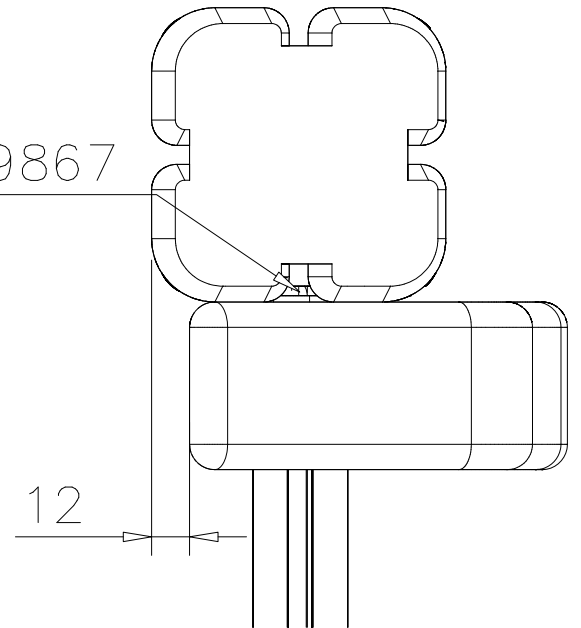


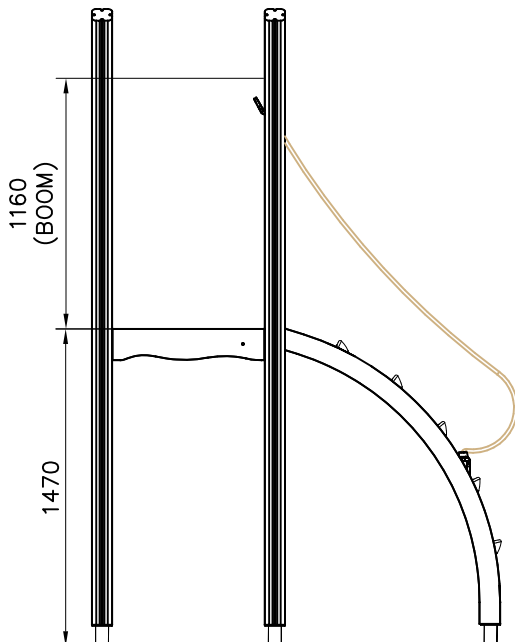
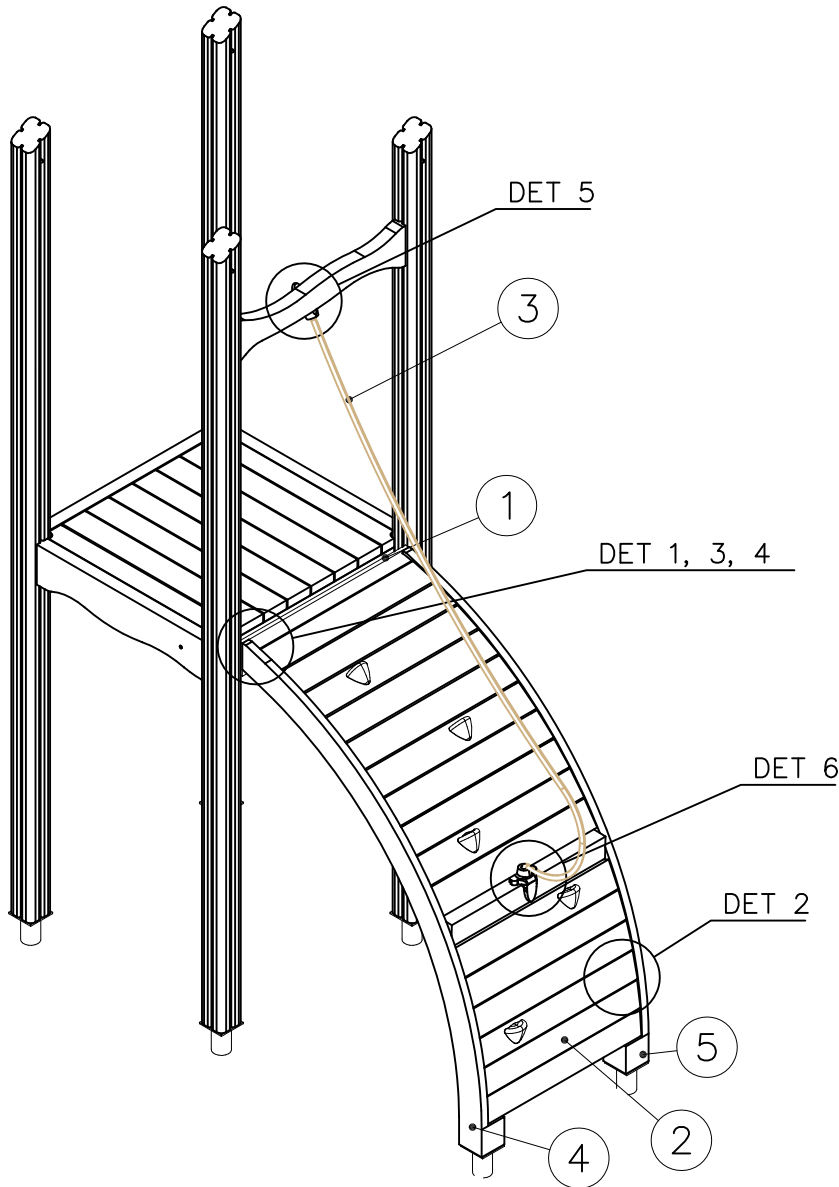
M8x70

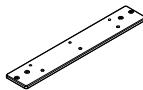




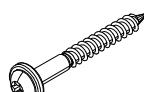

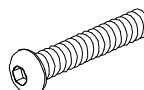
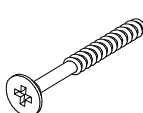


DET 4

909867

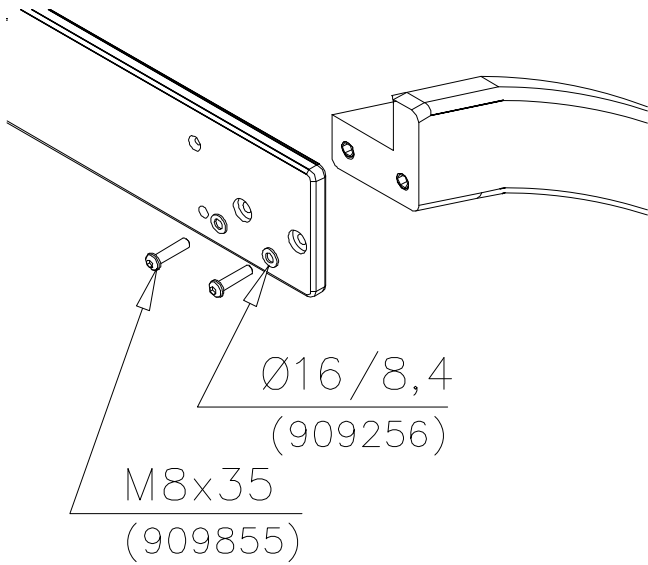
12



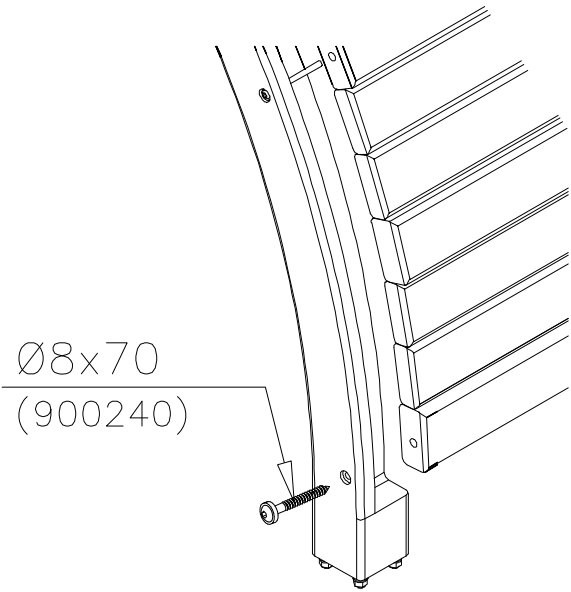


① 701092	PCS	② 705331	PCS
	1		1
15x120x700		45x645x1670	
③ 705363	PCS	④ 705373	PCS
	1		1
L 2120		95x1005x1365	
⑤ 705374	PCS	⑥ 900240	PCS
	1		8
95x1005x1365		Ø8x70	
⑦ 909256	PCS	⑧ 909855	PCS
	4		4
Ø16/8.4x1.6		M8x35	
⑨ 980107	PCS	⑩ 980123	PCS
	3		4
Ø6x60		Ø7x60	
⑪ 980128	PCS		PCS
	5		
Ø7x40			
	PCS		PCS
	PCS		PCS

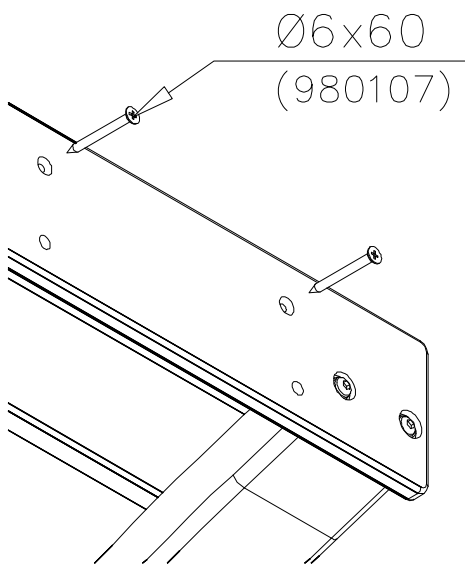
DET 1



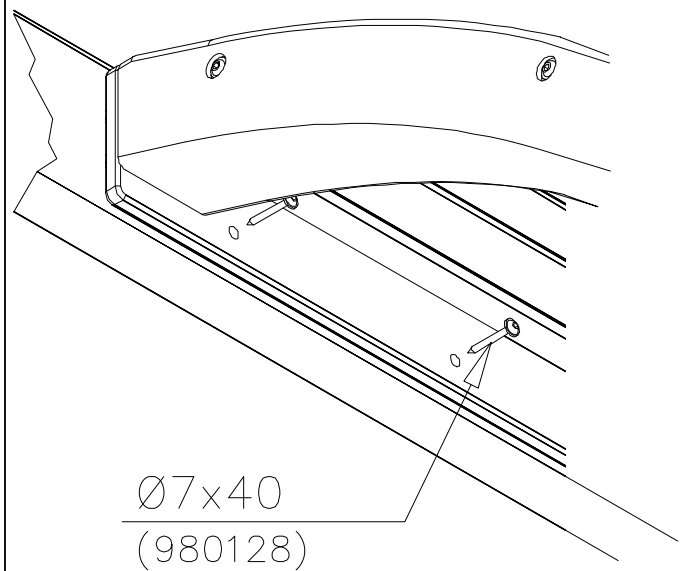
DET 2



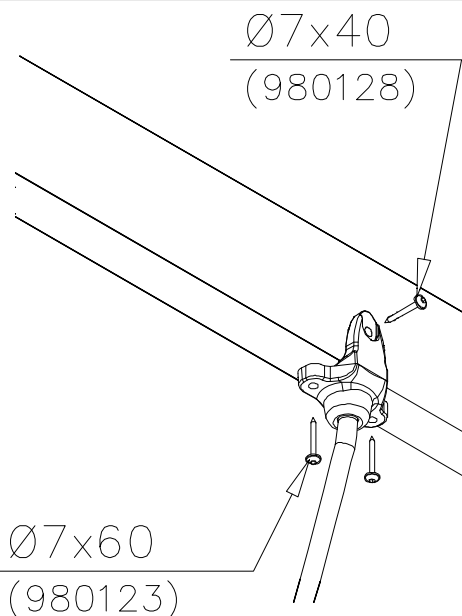
DET 3



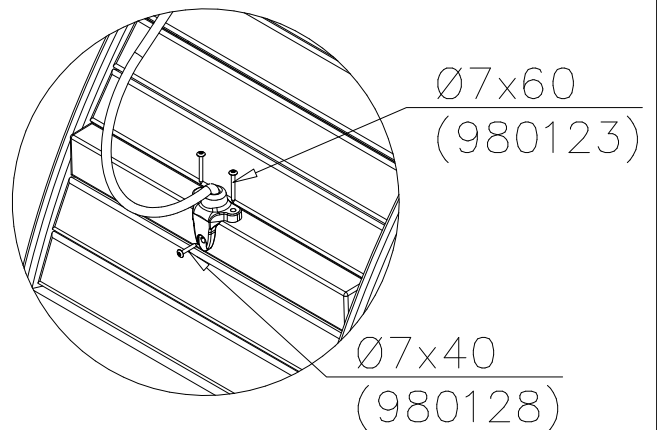
DET 4

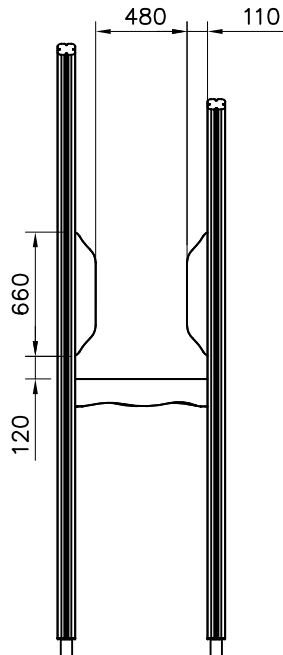
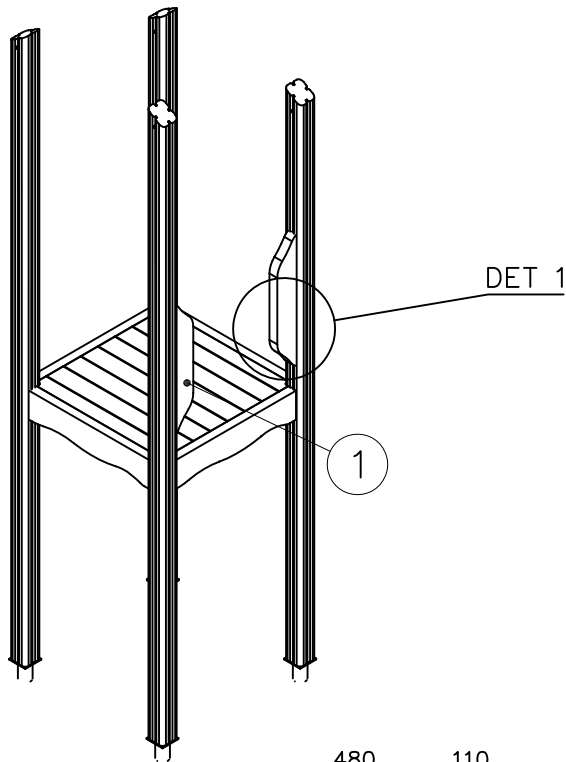



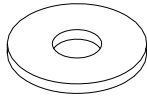

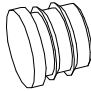
DET 5



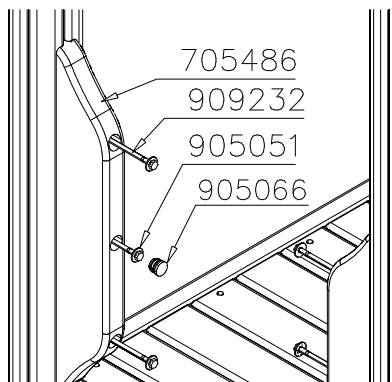
DET 6

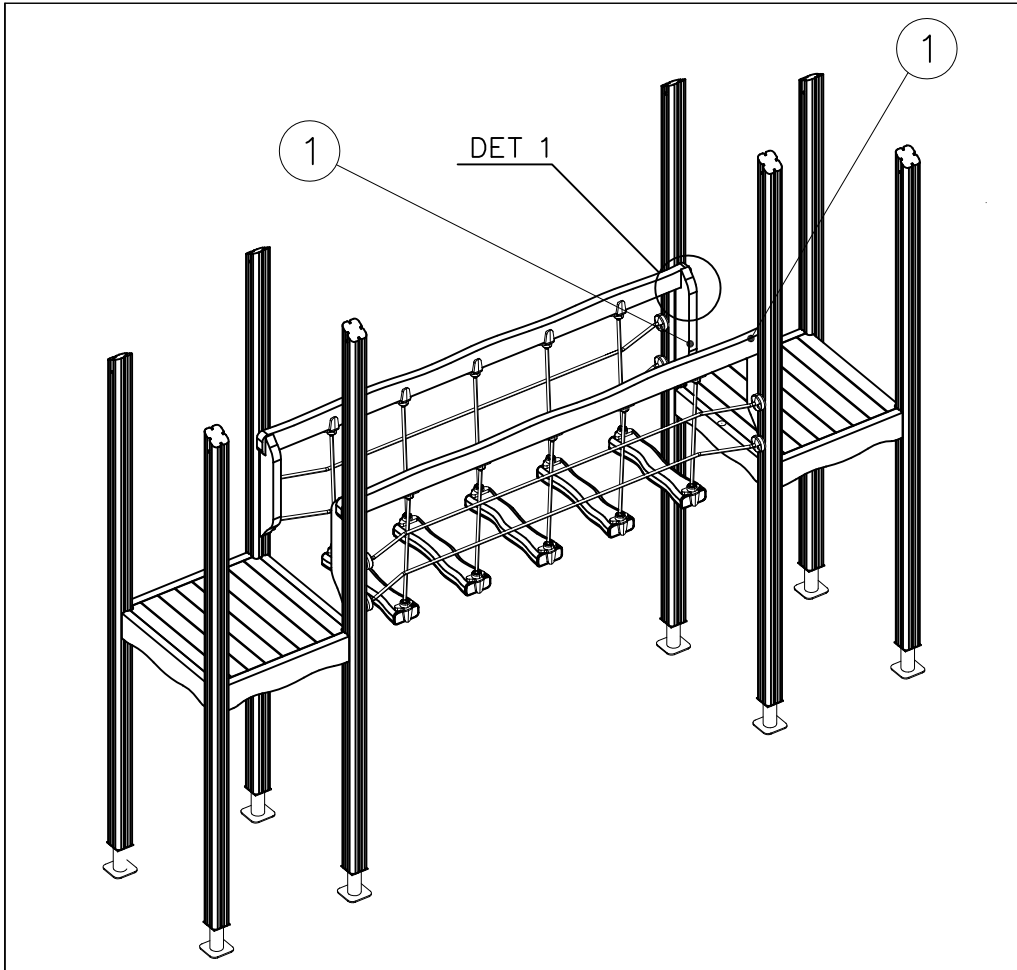



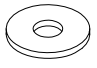
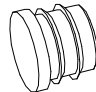



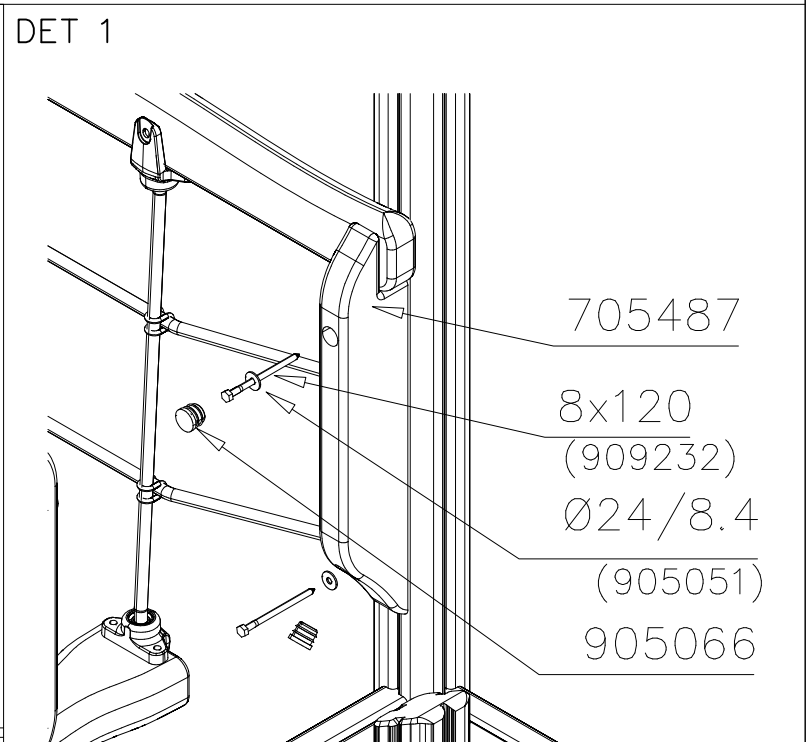
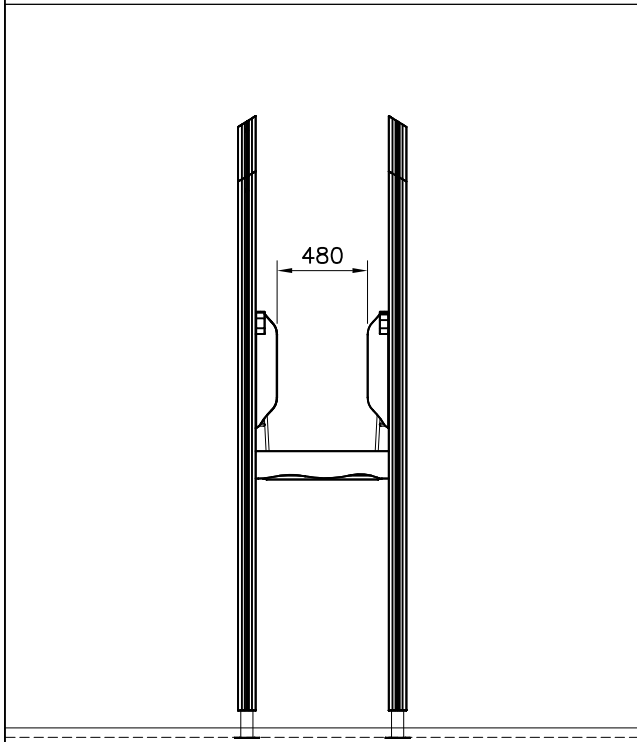
① 705486	PCS	② 905051	PCS
	2		6
45x120x660		Ø24/8.4	
③ 909232	PCS	④ 905066	PCS
	6		6
8x120		S30H	
	PCS		PCS
	PCS		PCS
	PCS		PCS
	PCS		PCS

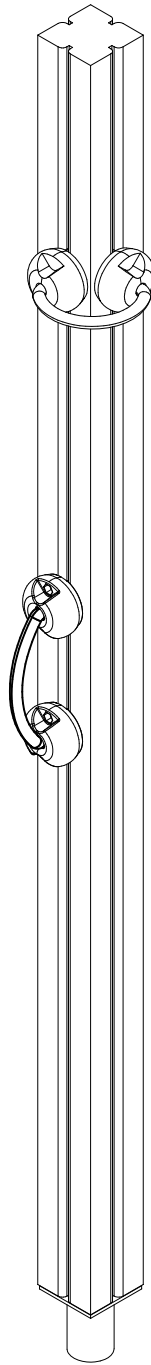
DET 1


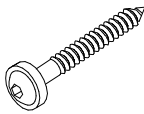




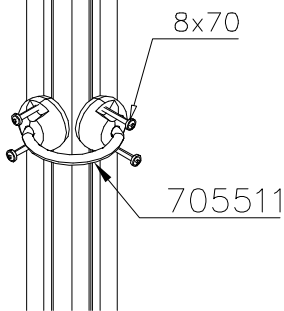
① 705487	PCS	② 905051	PCS
	2		4
45x120x590		Ø24/8.4	
③ 905066	PCS	④ 909232	PCS
	4		4
S30H		8x120	
	PCS		PCS
	PCS		PCS



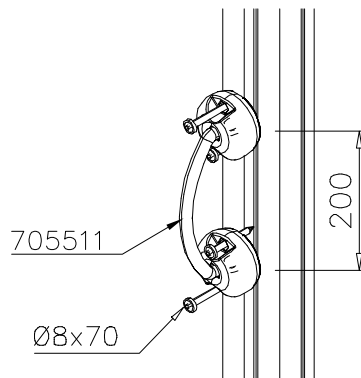


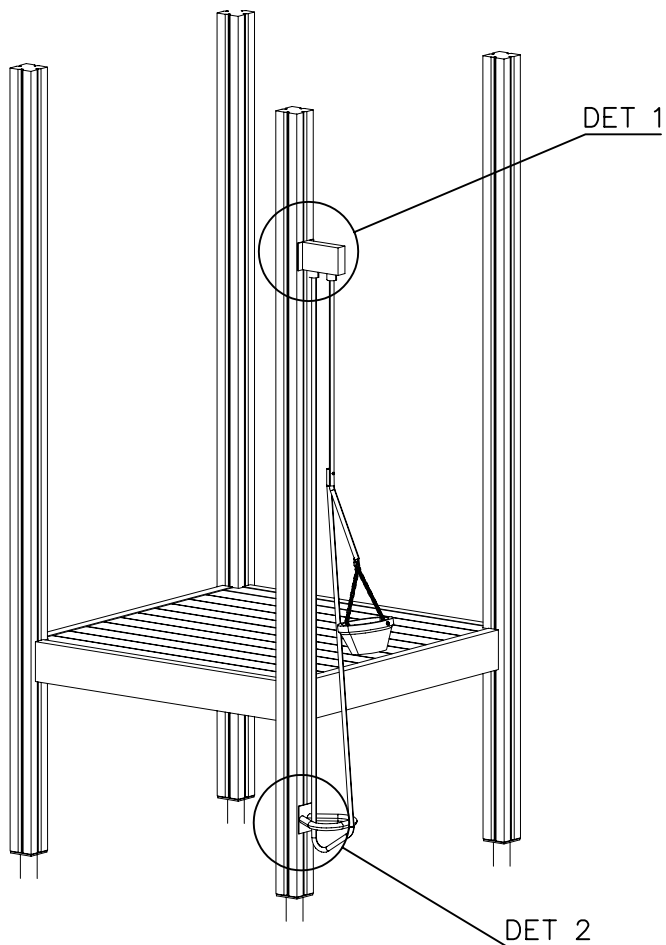
<p>① 705510</p> 	<p>PCS</p> <p>1</p>	<p>② 900240</p>  <p>Ø8x70</p>	<p>PCS</p> <p>4</p>
	PCS		PCS
	PCS		PCS
	PCS		PCS
	PCS		PCS
	PCS		PCS
	PCS		PCS
	PCS		PCS
	PCS		PCS
	PCS		PCS

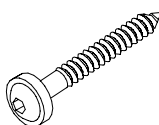

DET 1

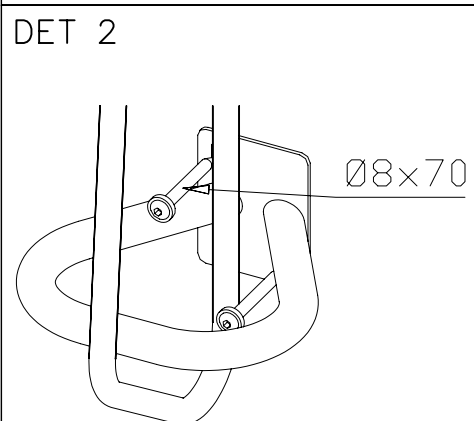
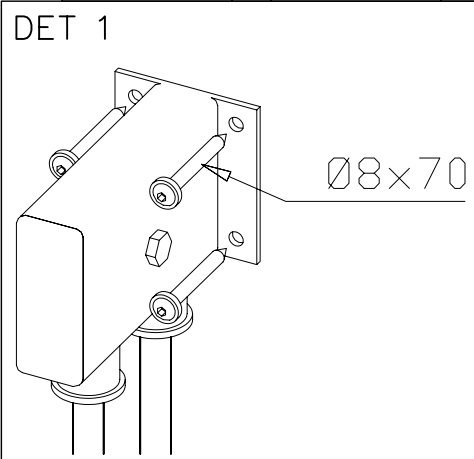
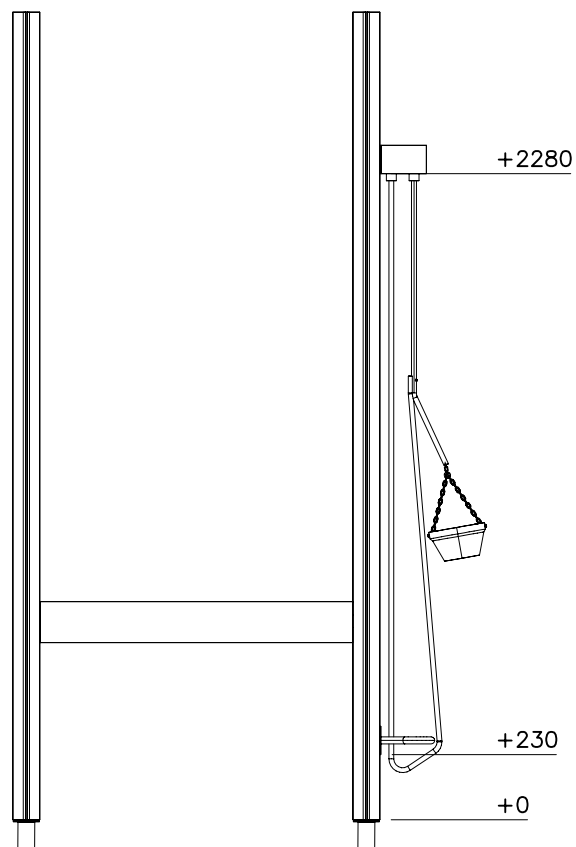


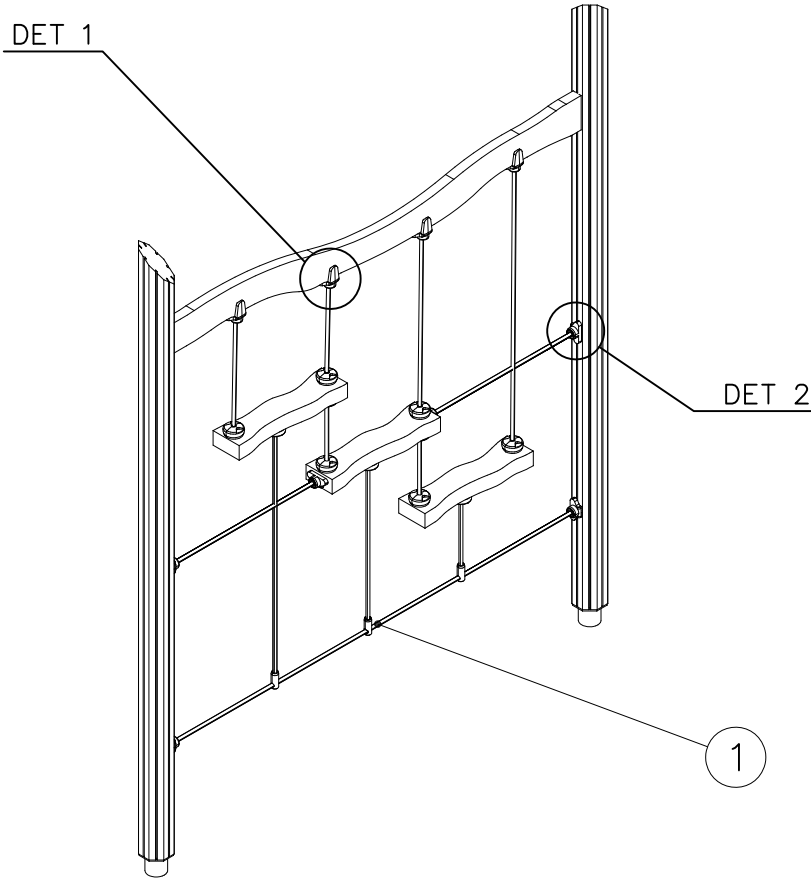
DET 2



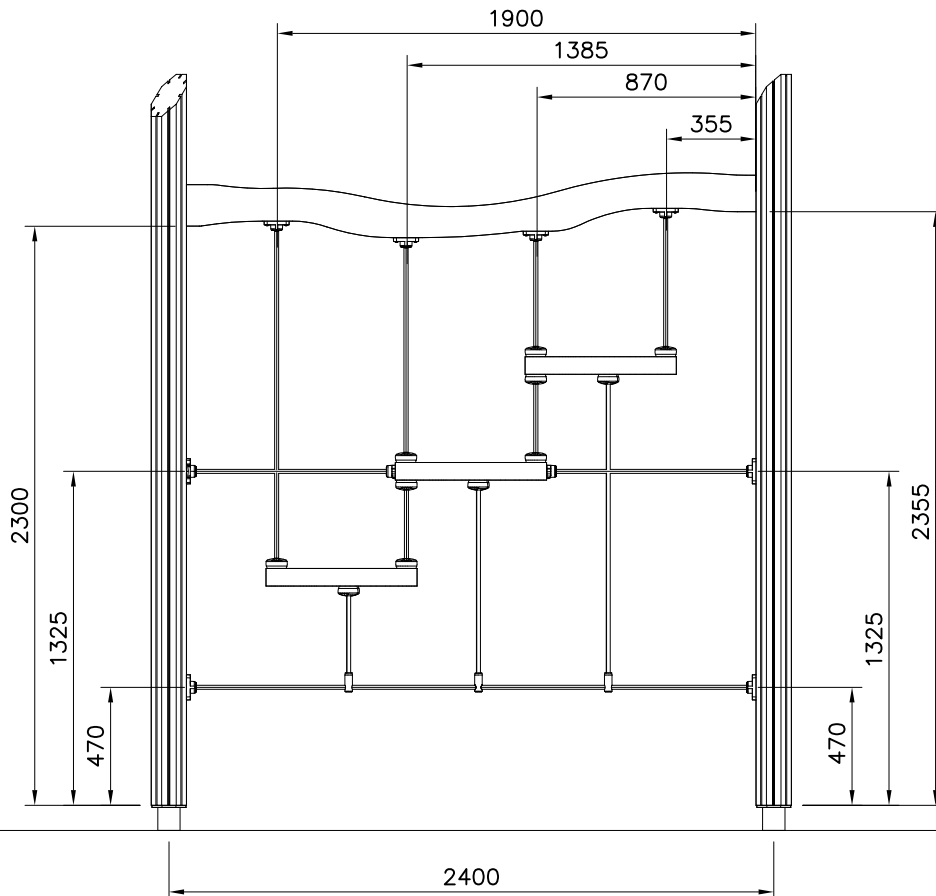


① 900240	PCS	② 902199	PCS
	6		1
Ø8x70		2214x373	
	PCS		PCS
	PCS		PCS
	PCS		PCS

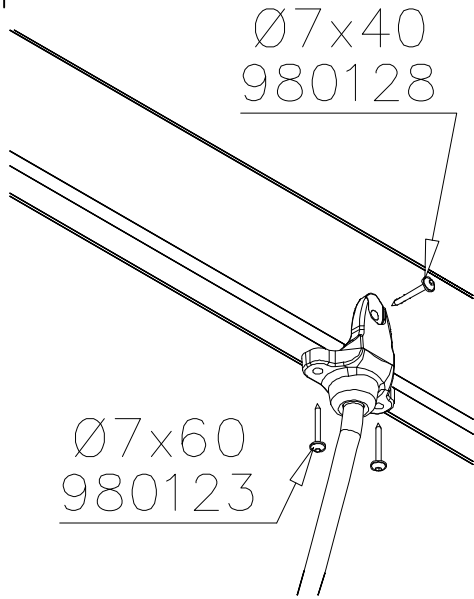




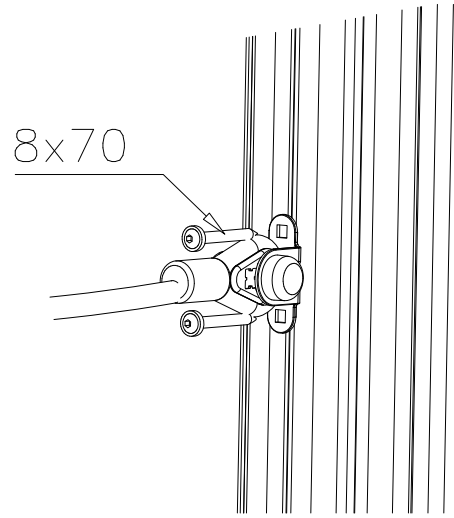
① 705893	PCS	② 980123	PCS
	1		8
		Ø7x60	
③ 980128	PCS	④ 900240	PCS
	4		8
		Ø7x40	Ø8x70
	PCS		PCS
	PCS		PCS

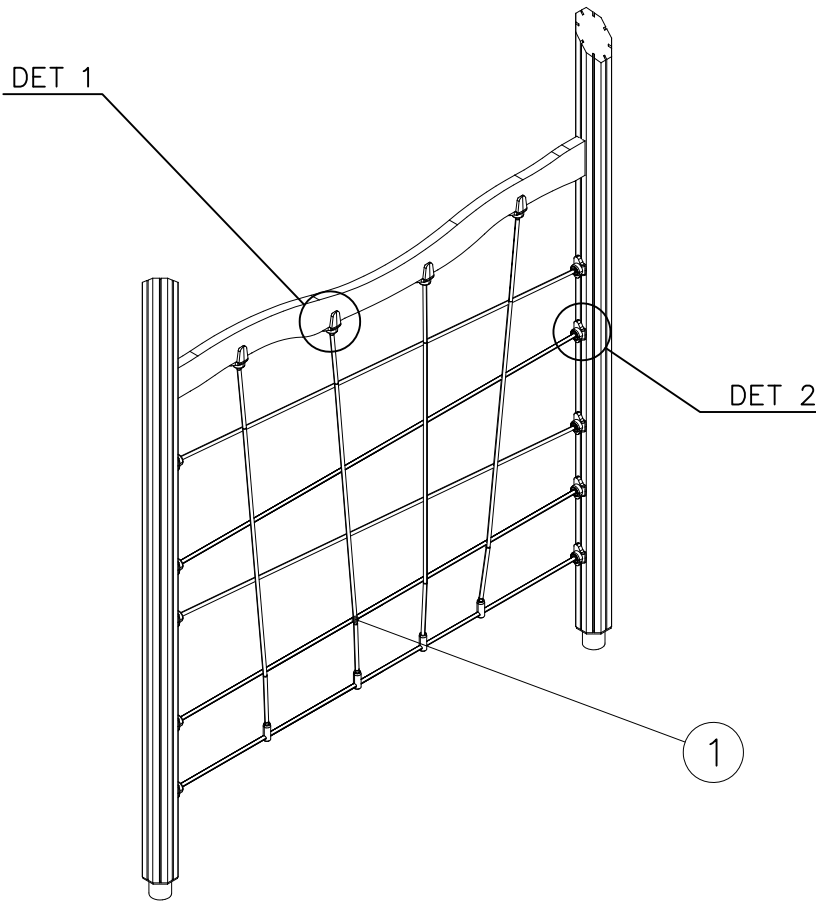


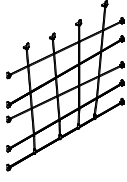
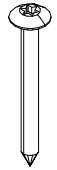
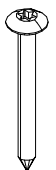
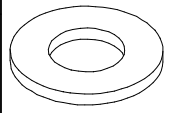
DET 1

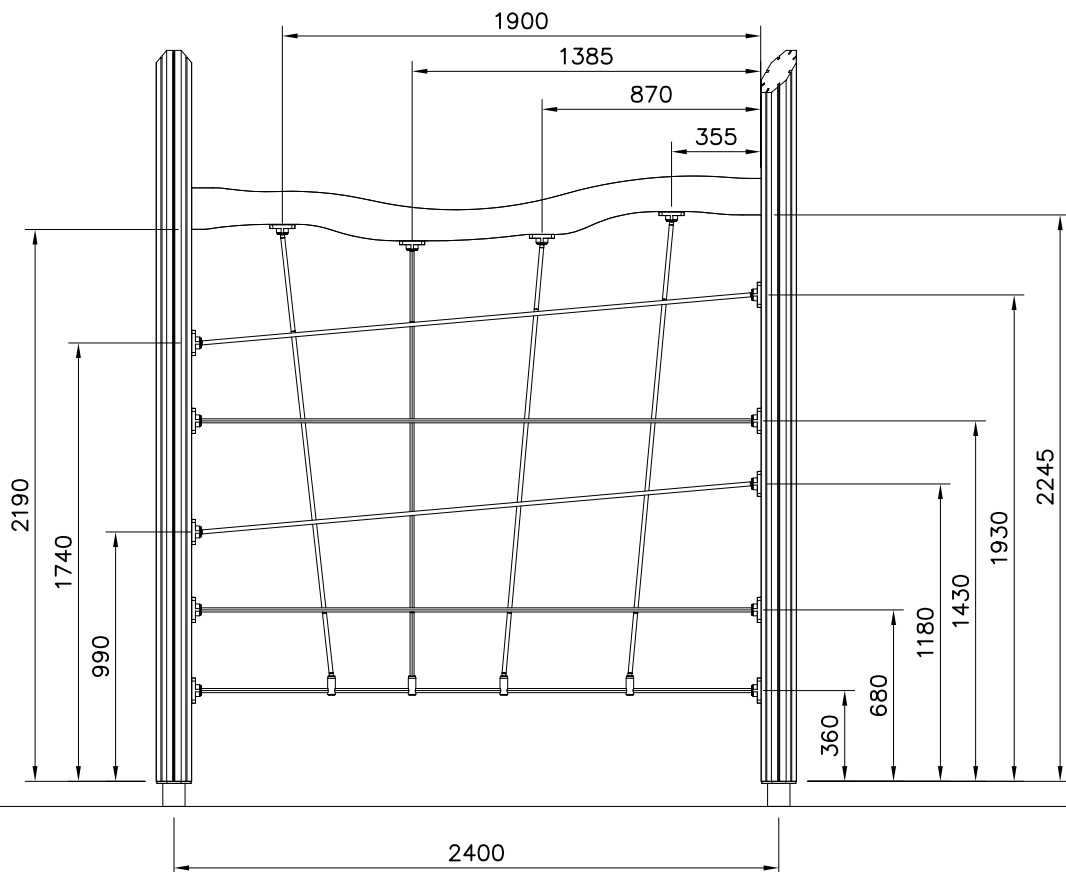


DET 2

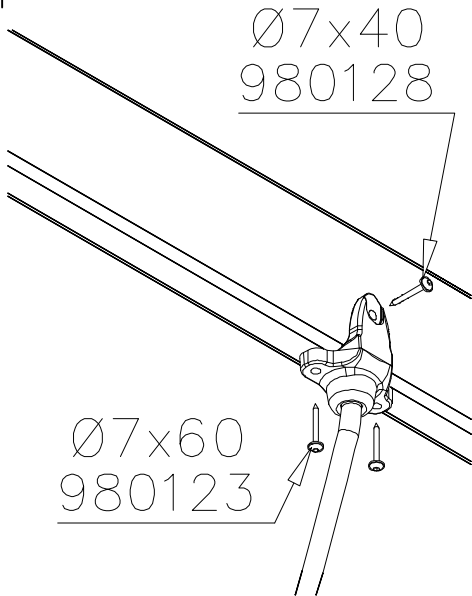




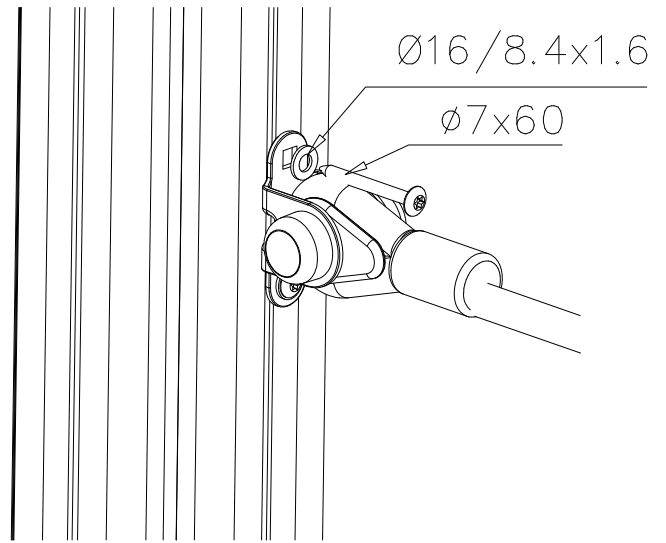
① 705918	PCS	② 980123	PCS
	1		28
		Ø7x60	
③ 980128	PCS	③ 909256	PCS
	4		20
		Ø16/8.4x1.6	
	PCS		PCS
	PCS		PCS

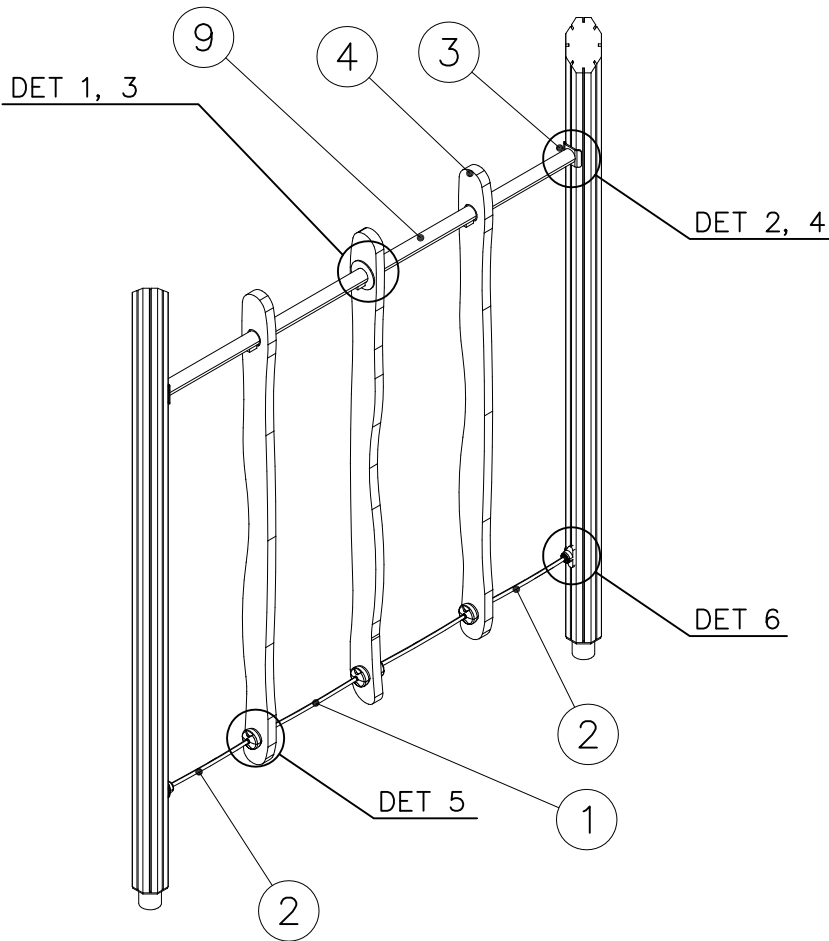


DET 1

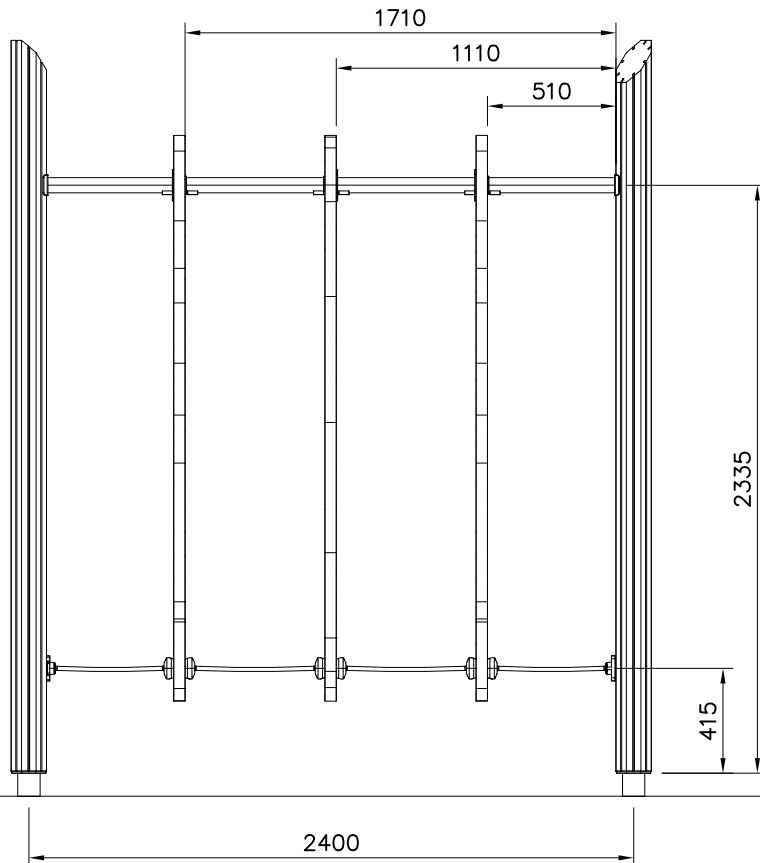


DET 2

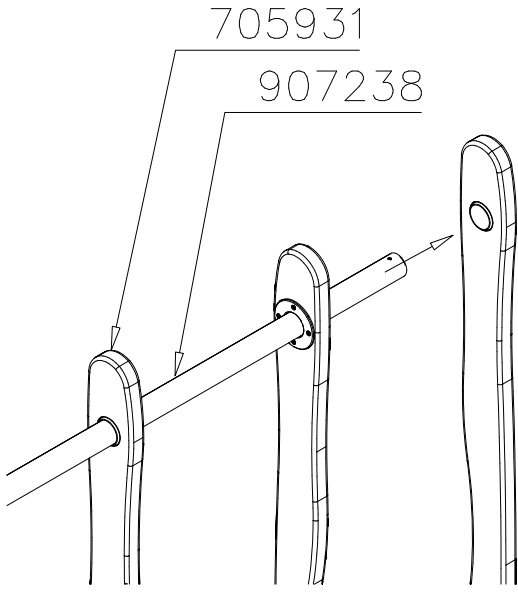




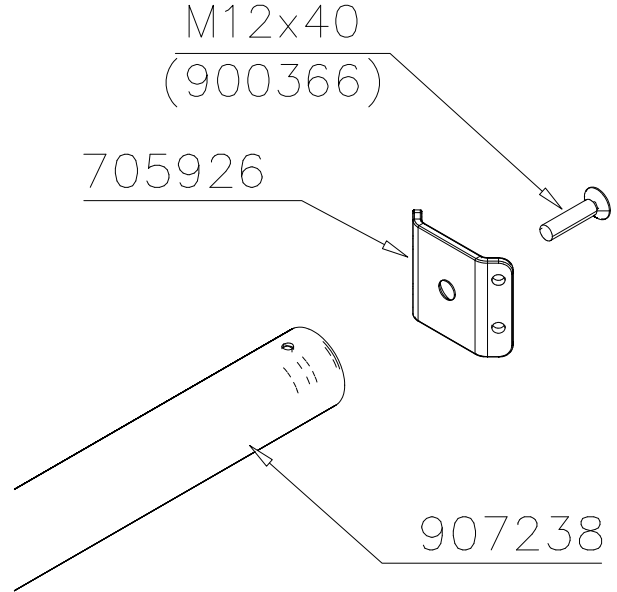
① 705244	PCS 2	② 705810	PCS 2
Ø16x555		Ø16x507	
③ 705926	PCS 1	④ 705931	PCS 3
6x80x96		45x142x2245	
⑤ 900240	PCS 12	⑥ 900790	PCS 6
Ø8x70		4.8x18	
⑦ 900366	PCS 1	⑧ 906541	PCS 6
M12x40		M8x95	
⑨ 907238	PCS 1	⑩ 907244	PCS 6
		15x40x40	
⑪ 980160	PCS 6		PCS
M8			



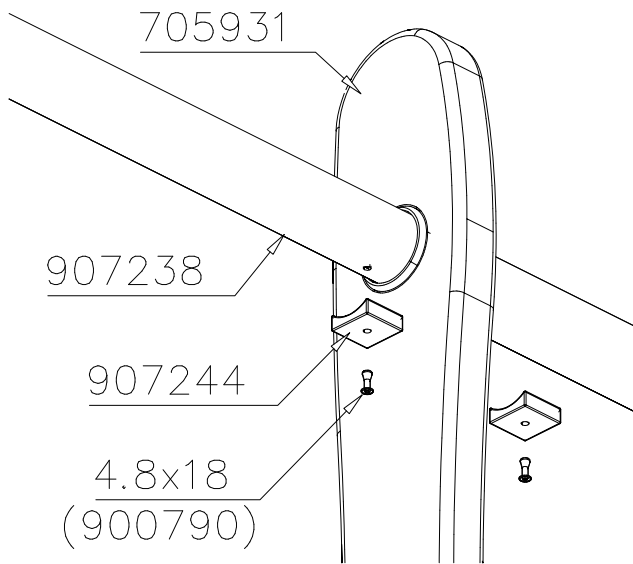
DET 1



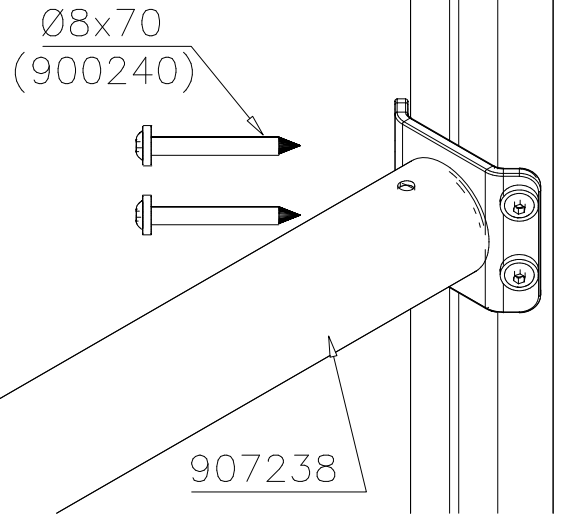
DET 2



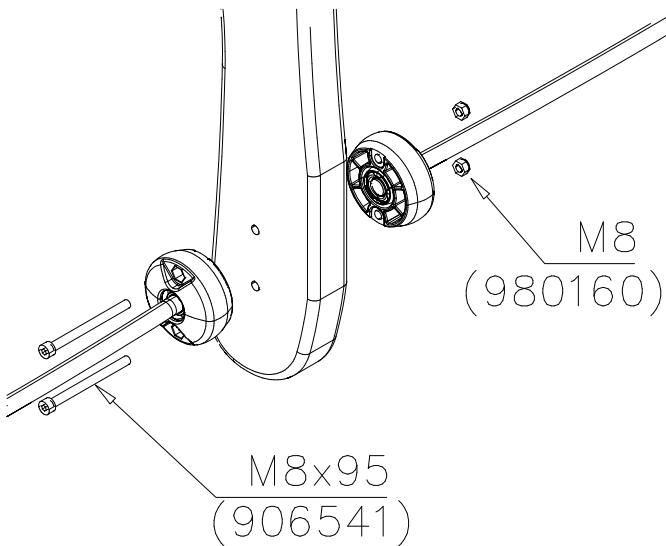
DET 3



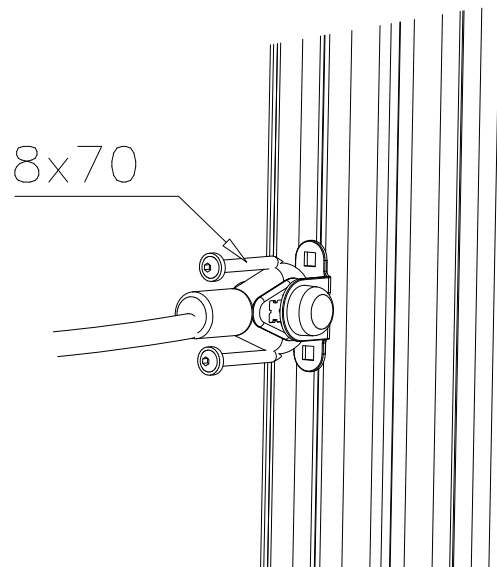
DET 4



DET 5



DET 6



DET 1 - 4

DET 5, 6

DET 7,8

DET 7

Verkko, asennus
Net, installation

DET 8

① 705950	PCS	② 706363	PCS
	1		2
③ 903093	PCS	④ 905083	PCS
	19		16
Ø8x90		Ø32	
⑤ 905112	PCS	⑥ 906503	PCS
	16		8
Ø22		M8x120	
⑦ 907634	PCS	⑧ 909524	PCS
	1		6
		140x110	
⑨ 900240	PCS	⑩ 980150	PCS
	28		8
Ø8x70		M8	
⑪ 980151	PCS		PCS
	32		
Ø16/8.4			

Dimensions for DET 7:

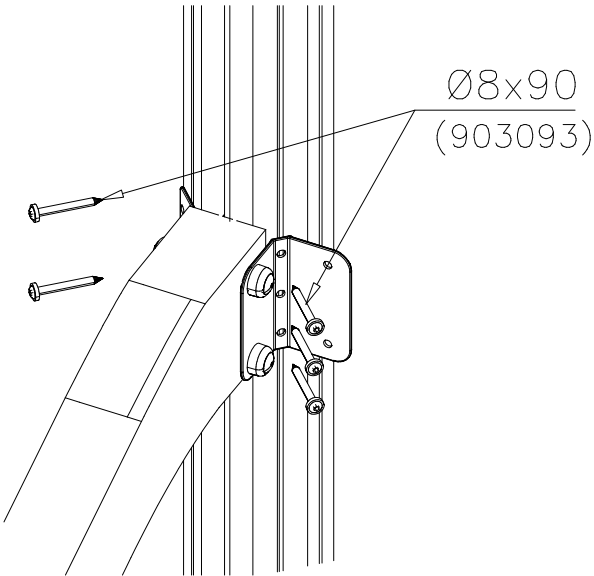
- 410
- 330
- 310
- 340
- 300
- 330
- 300
- 330
- 330

Lowest

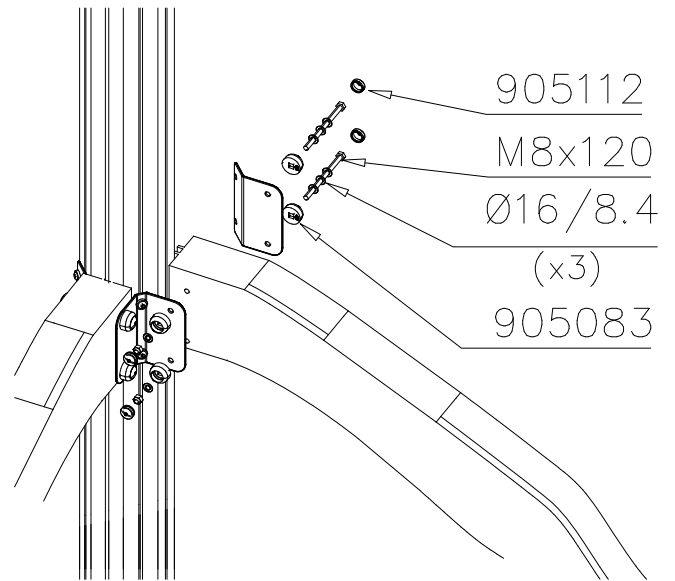
Ø8x70 (900240)

Ø8x90 (903093)

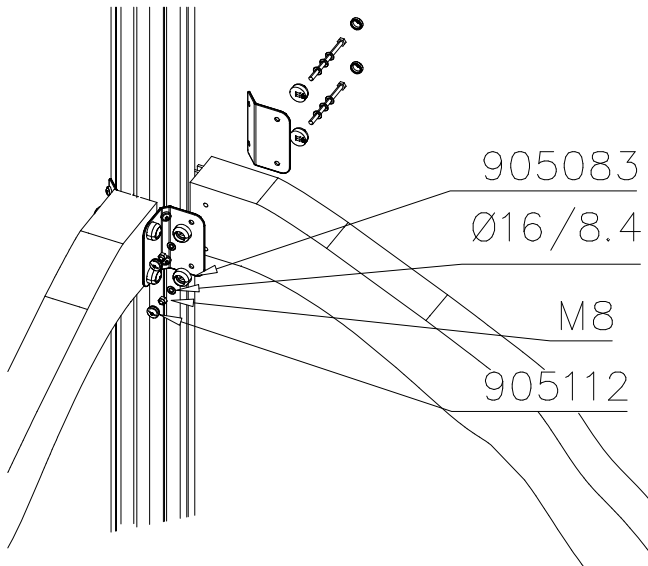
DET 1



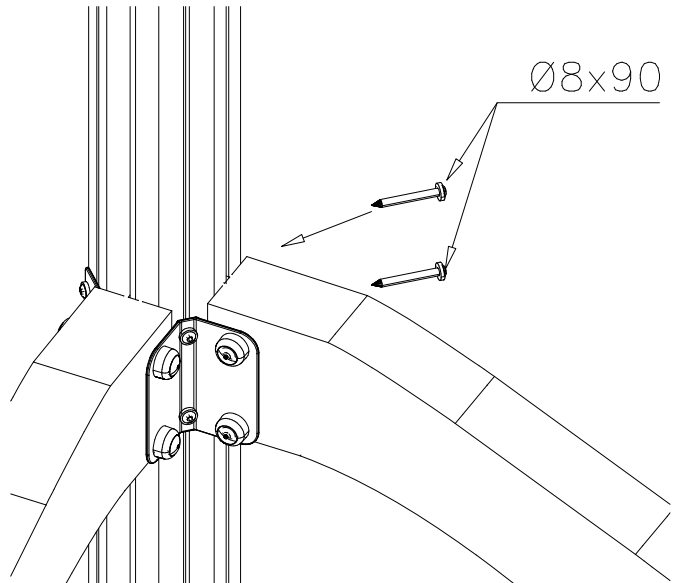
DET 2



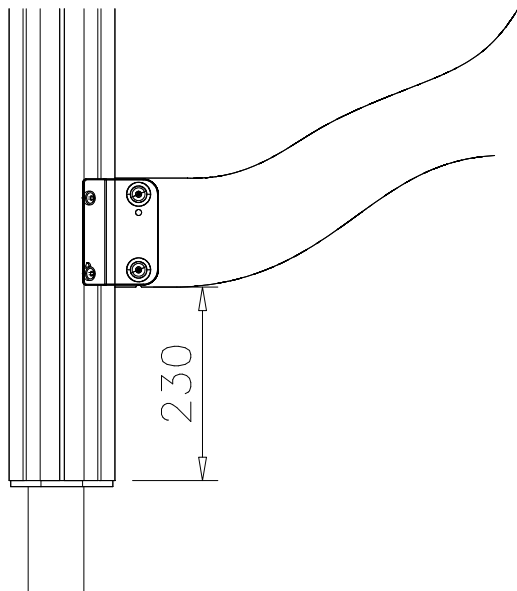
DET 3



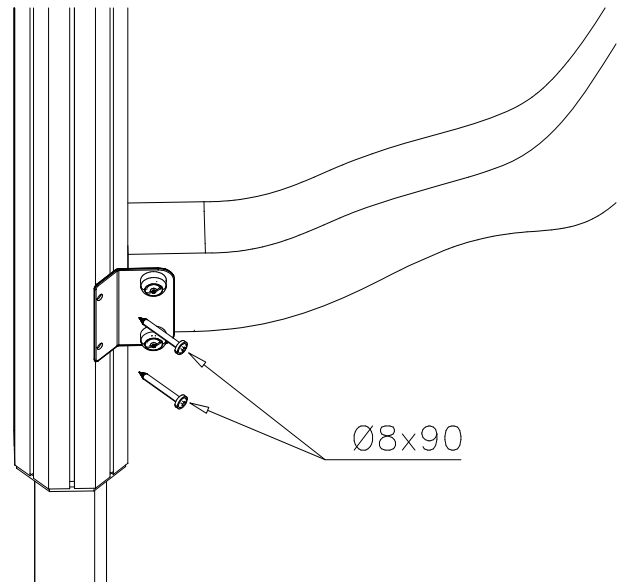
DET 4



DET 5



DET 6





Tuotekyltti tulee tuotteen mukana yhdellä seuraavista tavoista:

1) Metallinen tuotekyltti ja kiinnitysruuvit

- Kiinnitä tuotekyltti ruuveilla tolppaan noin 2 metrin korkeuteen kuvan 1 mukaisesti.

2) Tuotekylttitarra

- Puhdista maalattu metalli- tai vaneripinta pölystä ja kosteudesta. Liimaa tarra kuvan 2 mukaisesti.
- Huom. Älä kiinnitä tarraa karheapintaiseen laminaattiin tai maalattuun puuhun.

Vår produktmärkning levereras på ett av följande sätt:

1) Produktskylt i metall

- Fäst skylten med de medföljande skruvarna

2) Självhäftande produktetikett

- Rengör den pulverlackerade metallytan eller laminatyten så att den blir fri från smuts och fukt. Fäst etiketten enligt fig. 2.
- Obs! Fäst ej etiketten på detaljer med skrovlig yta eller på målat trä.

Product label is delivered by one of following ways:

1) Metal product label and screws

- Fasten the label with screws.

2) Label sticker

- Clean the painted metal or plywood surface from dirt and moisture. Fasten the sticker as shown in the figure 2.
- Note. Do not attach the sticker to rough surfaced laminate or painted wood.

La plaque d'informations produit est livrée sous l'une de ces 3 formes :

1) Plaque métallique et vis

- Fixez la plaque à l'aide des vis.

2) Etiquette autocollante

- Avant de coller l'étiquette, nettoyez le composant métallique peint ou la plaque de contreplaqué, de toute saleté. La surface doit être sèche (voir image 2).
- Attention, ne pas coller l'étiquette sur une surface lamellé-collée irrégulière ou sur du bois peint.

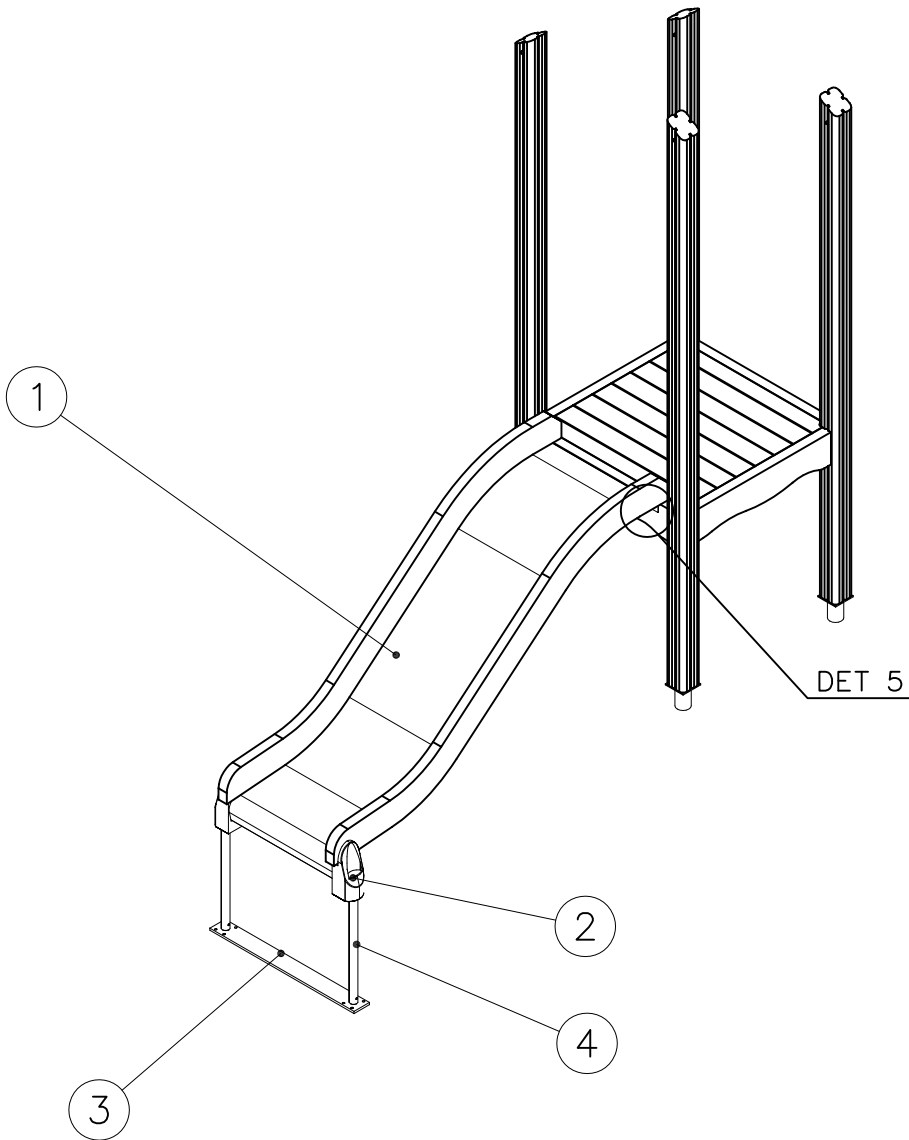
Die Auslieferung des Produktaufklebers erfolgt auf eine dieser Arten:

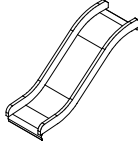

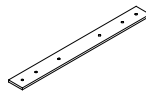
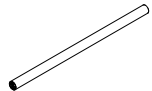
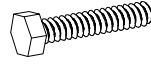
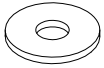

1) Produkt-Schild aus Metall incl. Schrauben

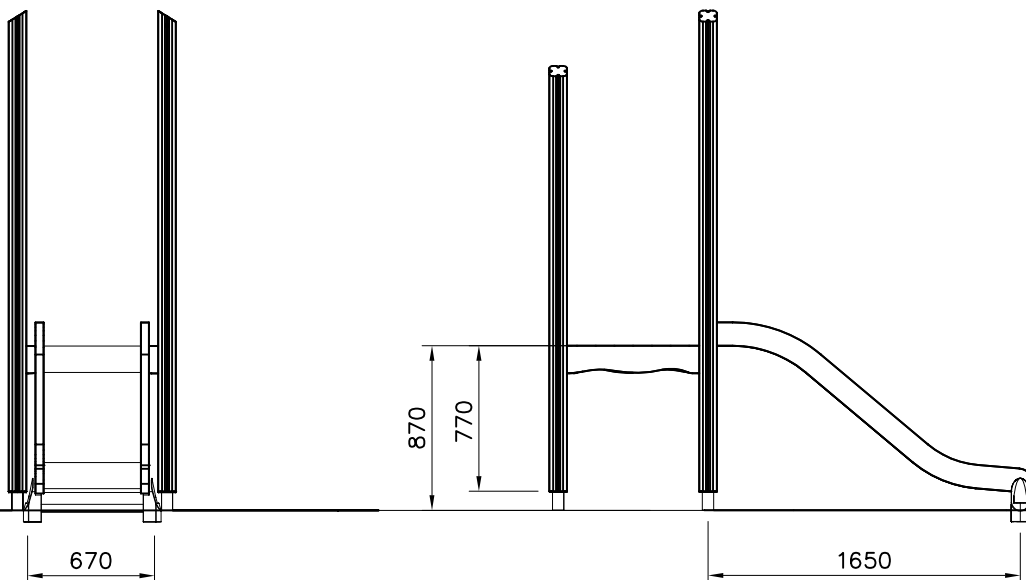
- Die Befestigung des Schildes erfolgt mittels der Schrauben.

2) Aufkleber

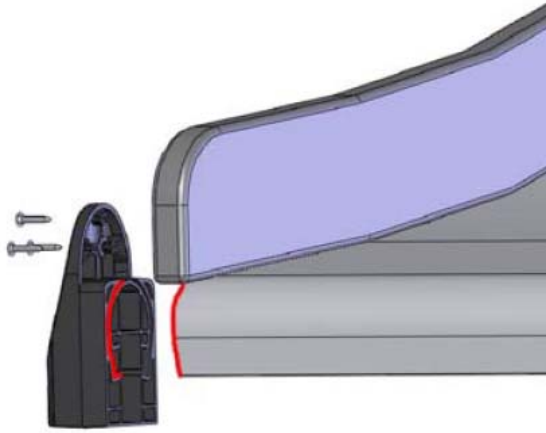
- Entfernen Sie zunächst Schmutz und Feuchtigkeit vom lackierten Metall bzw. von der Holzoberfläche und bringen Sie den Aufkleber wie im Bild oben rechts beschrieben auf den gesäuberten Untergrund auf.
- Beachten Sie: Bringen Sie den Aufkleber nicht auf raues laminiertes oder lackiertes Holz an.



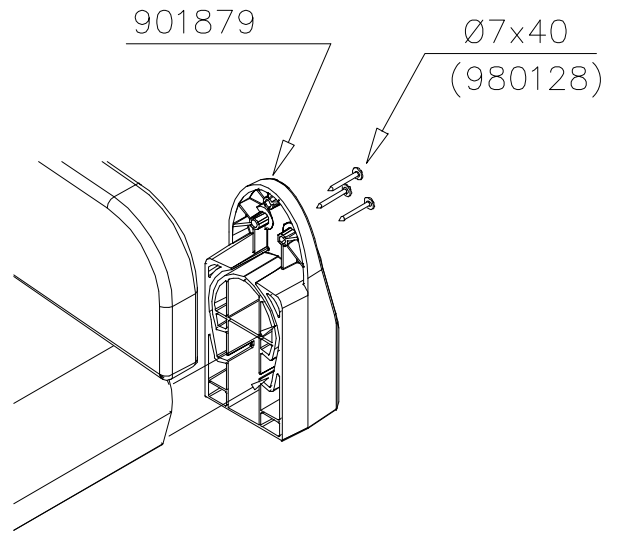
① 706176  870	PCS 1	② 901879 	PCS 2
③ 707133  10x80x745	PCS 1	④ 901868  Ø30x598	PCS 2
⑤ 909210  M8x40	PCS 4	⑥ 905051  Ø24/8.4	PCS 4
⑦ 980128  Ø7x40	PCS 9		PCS



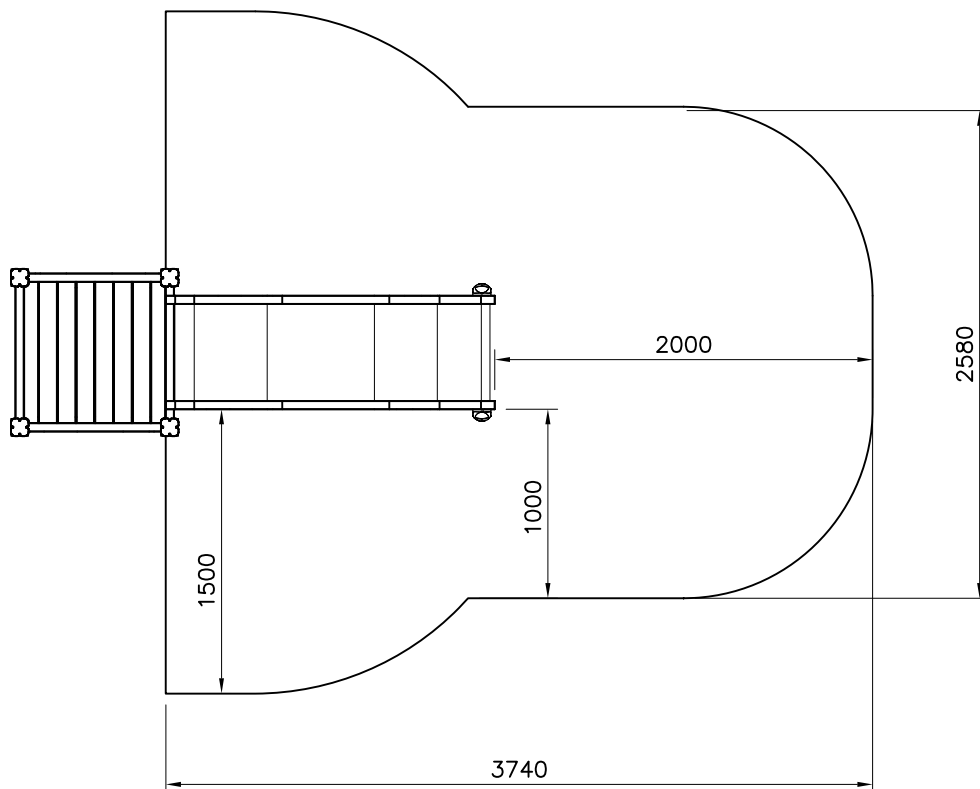
DET 2



Insert sheet metal IN to the plastic cover.

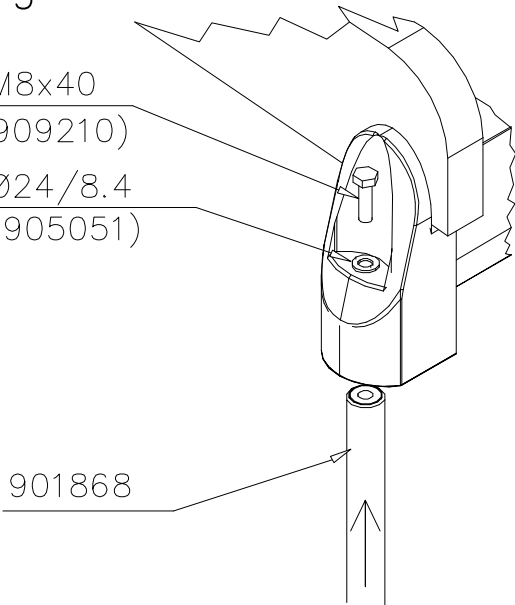


—— EN Impact Area 10.6 m²
- - - Falling Space 10.6 m²
Max Falling Height 1000 mm.



DET 3

M8x40
(909210)
Ø24/8.4
(905051)



901868

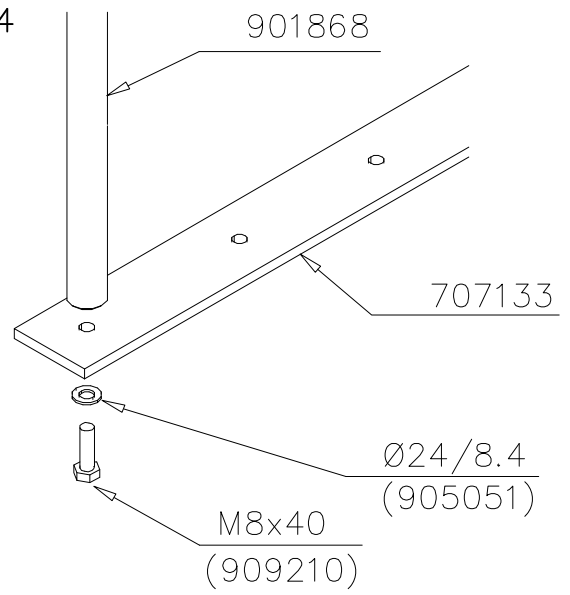
DET 4

901868

707133

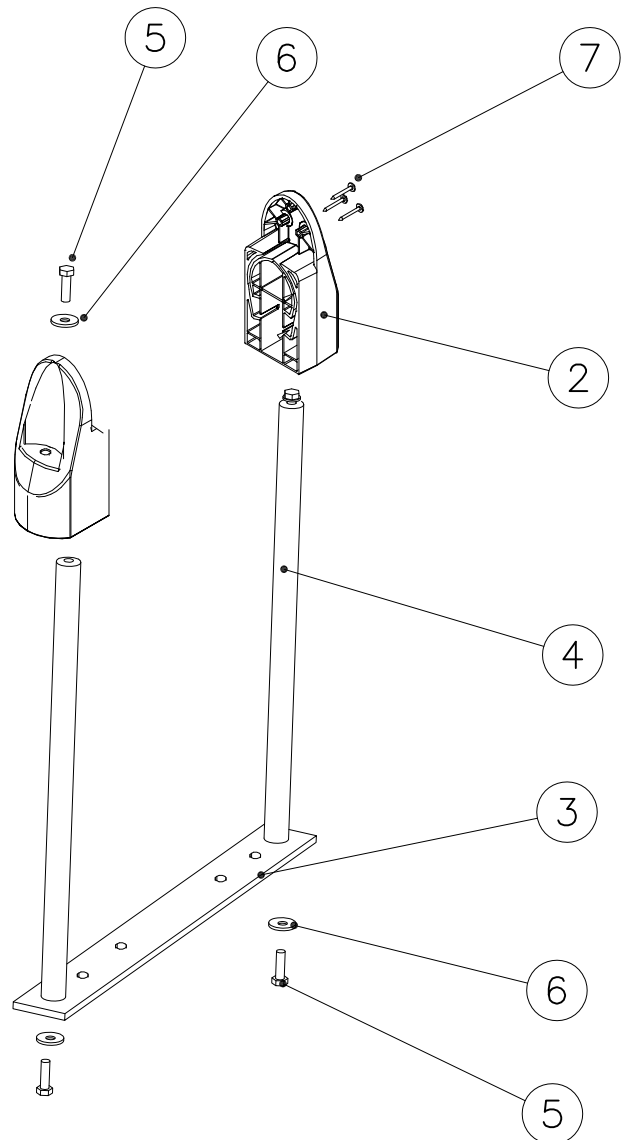
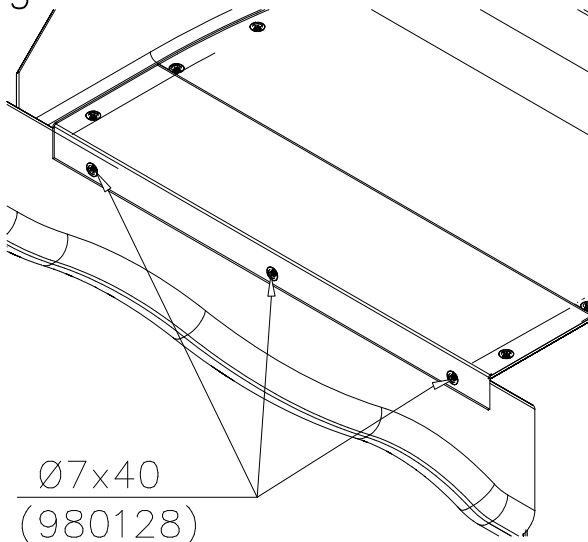
Ø24/8.4
(905051)

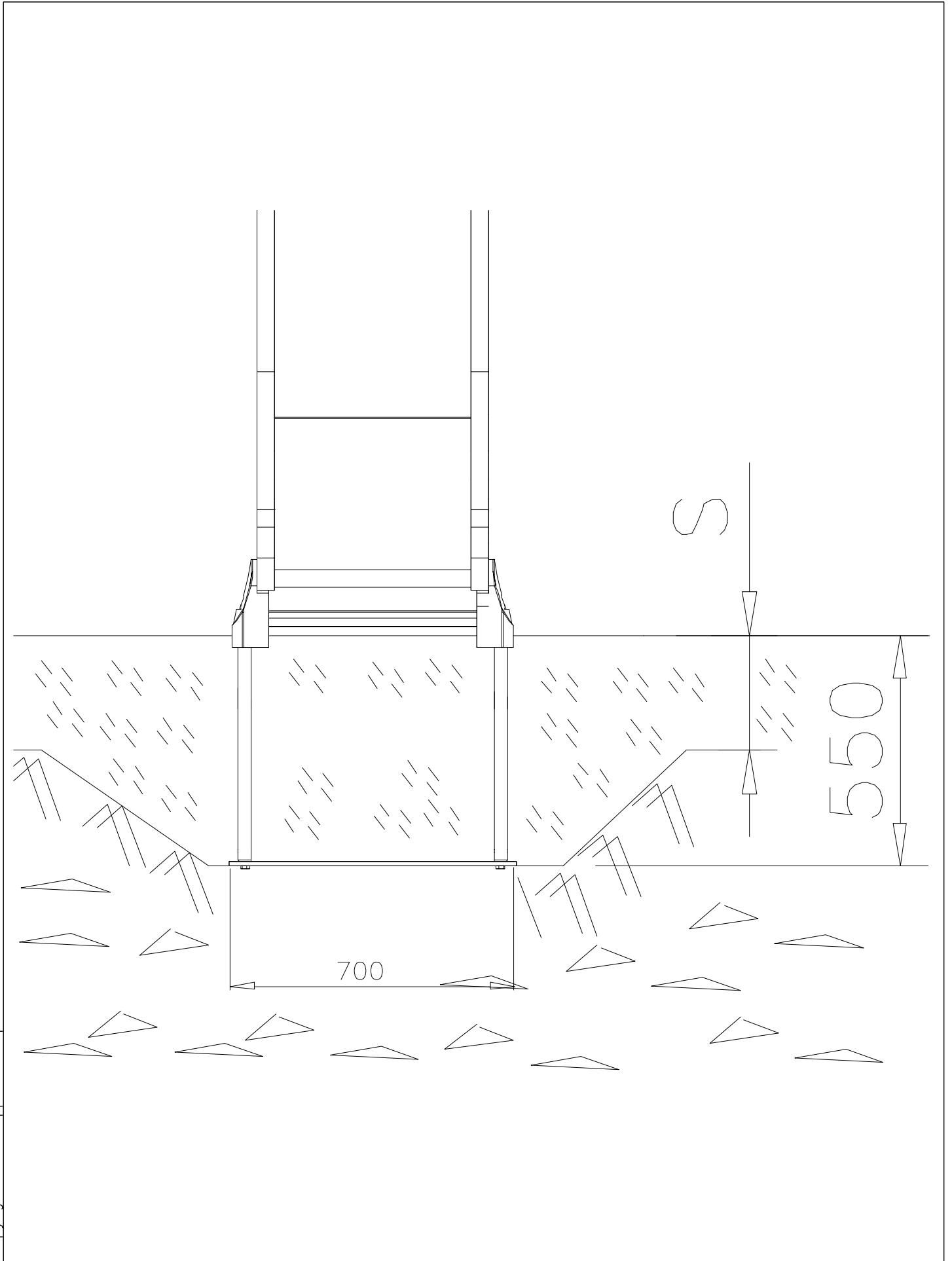
M8x40
(909210)

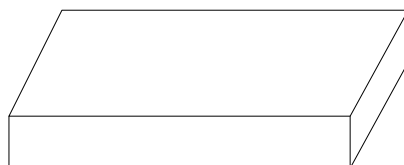
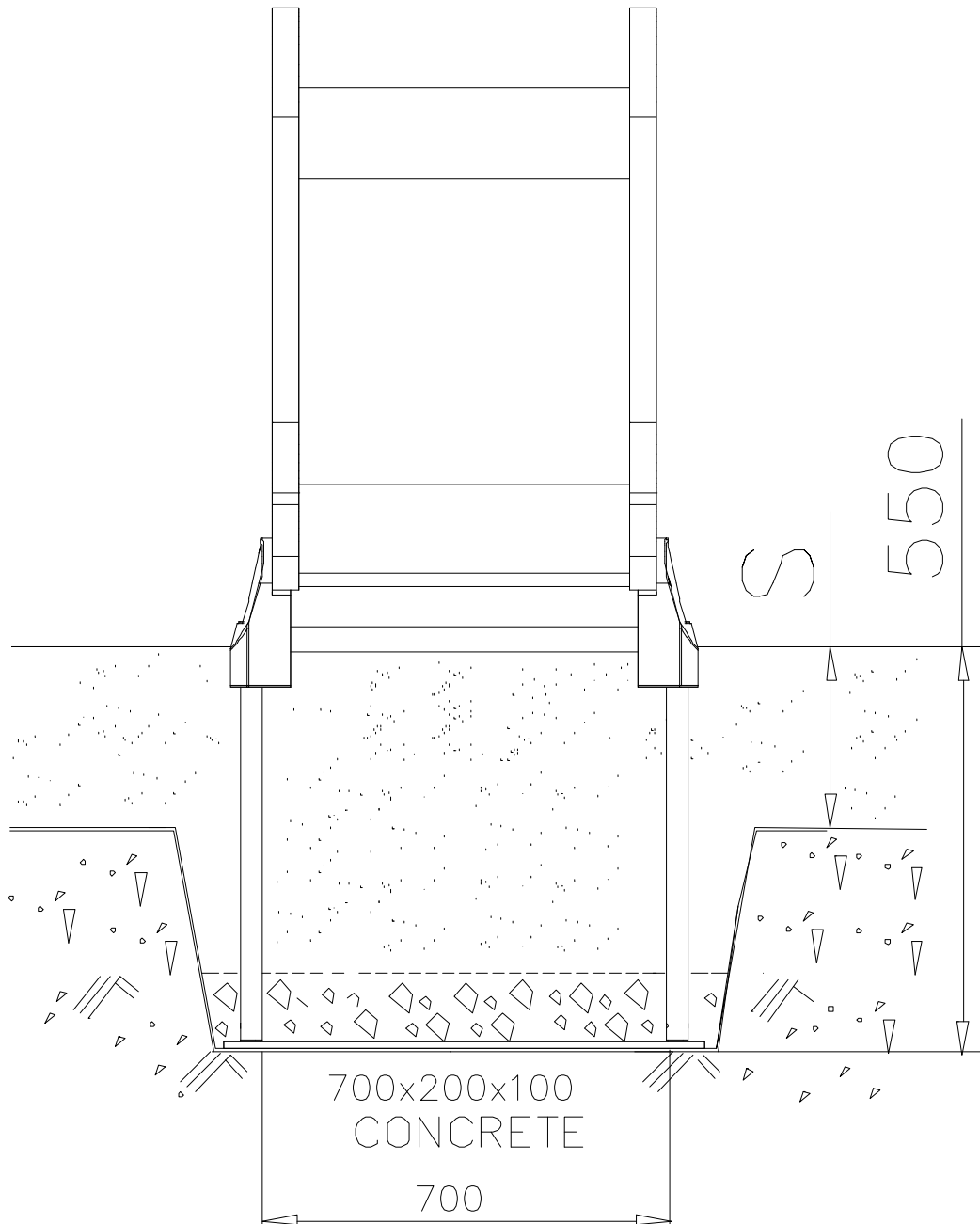


DET 5

Ø7x40
(980128)







LAPPSET®
BETON FOUNDATION

FOOT

DATE: 27.10.2015

1(1)

② 905104	PCS		PCS
	4		
 M10	PCS		PCS



905104

LAPPSET® DEEP FOUNDATION

FOOT

DATE: 15.5.2018

1(1)



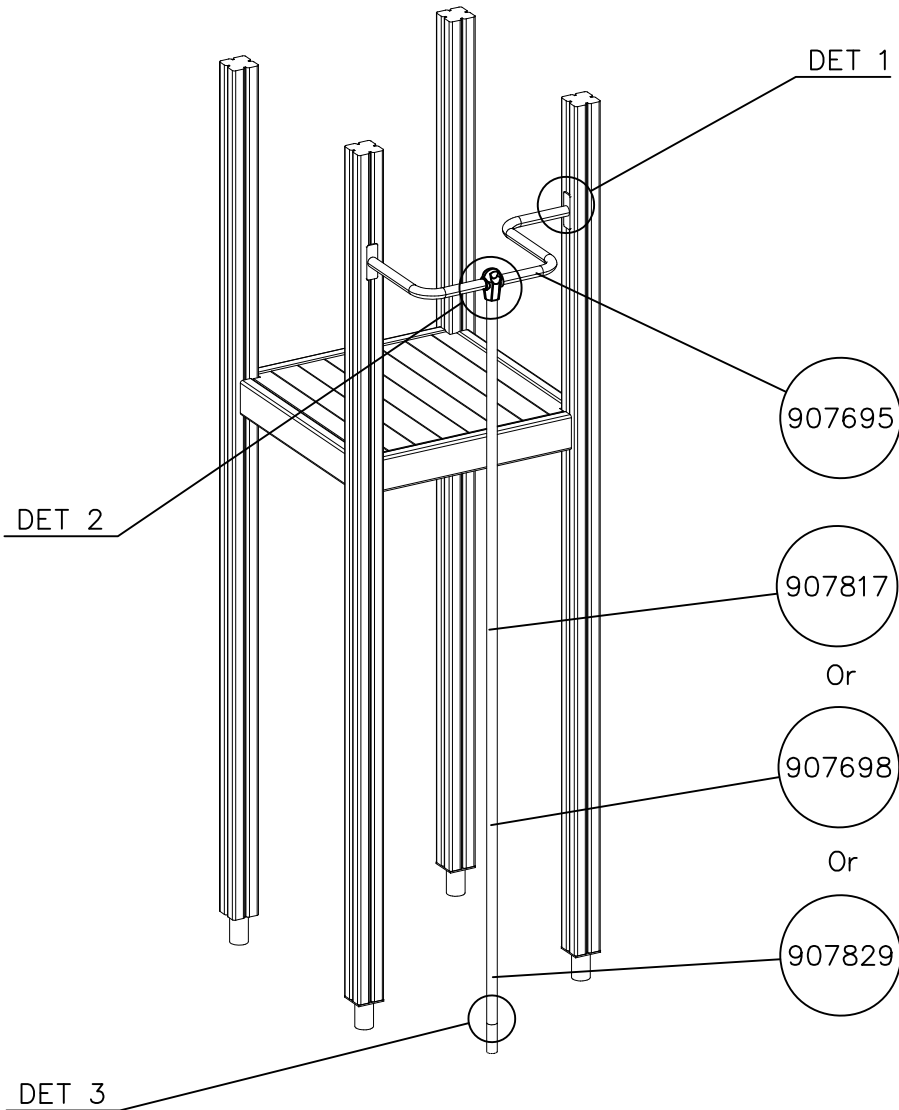
①	909511	PCS	②	909519	PCS
		1			1
	90x90x650			50x380x380	

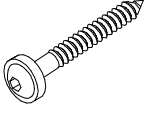
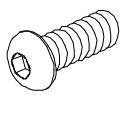


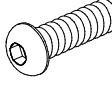

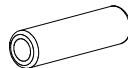




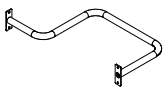
③	909637	PCS	④	909638	PCS
		4			8
	M10			Ø20/10.5	

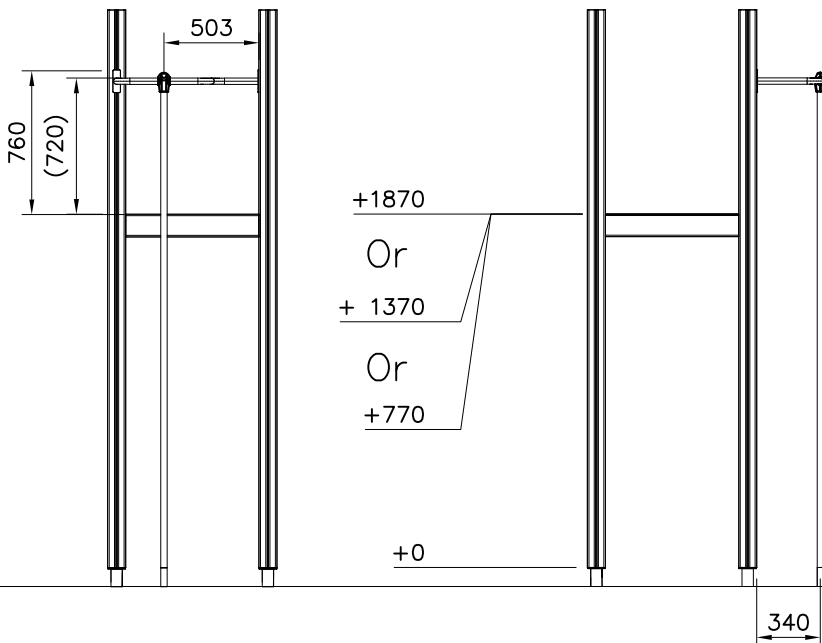
⑤	909639	PCS	⑥	905104	PCS
		4			4
	M10x25			M10	

OPTION FOOT

①	911155	PCS			PCS
		1			
	90x90x650				



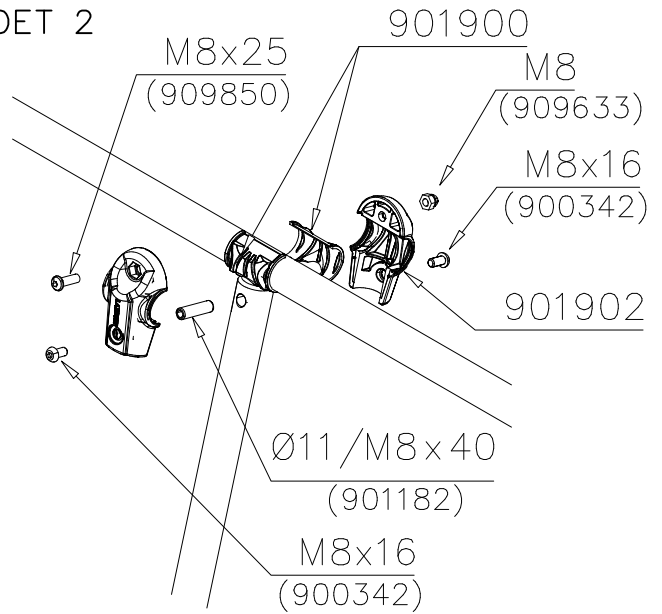
① 900240	PCS	② 900342	PCS
	4		2
Ø8x70		M8x16	
③ 901900	PCS	④ 901939	PCS
	2		1
20.5x36.2x56		M12x70	
⑤ 909850	PCS	⑥ 980150	PCS
	1		1
M8x25		M8	
⑦ 901182	PCS	⑧ 901902	PCS
	1		2
Ø11/M8x40		30.7x60.9x100	
	PCS		PCS
	PCS		PCS
○ 907829	PCS	○ 907698	PCS
	1		1
Ø33,7x1454		Ø33,7x2054	
○ 907817	PCS	○ 907695	PCS
	1		1
Ø33,7x2554			



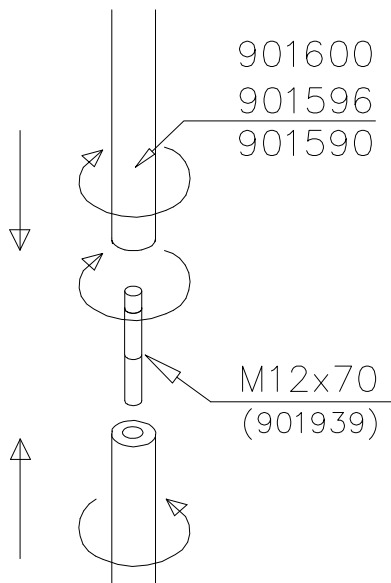
DET 1



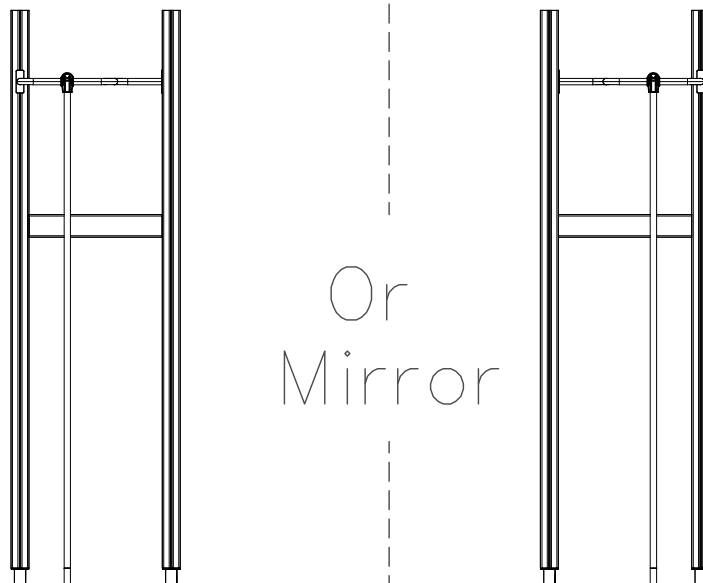
DET 2



DET 3



DET 4

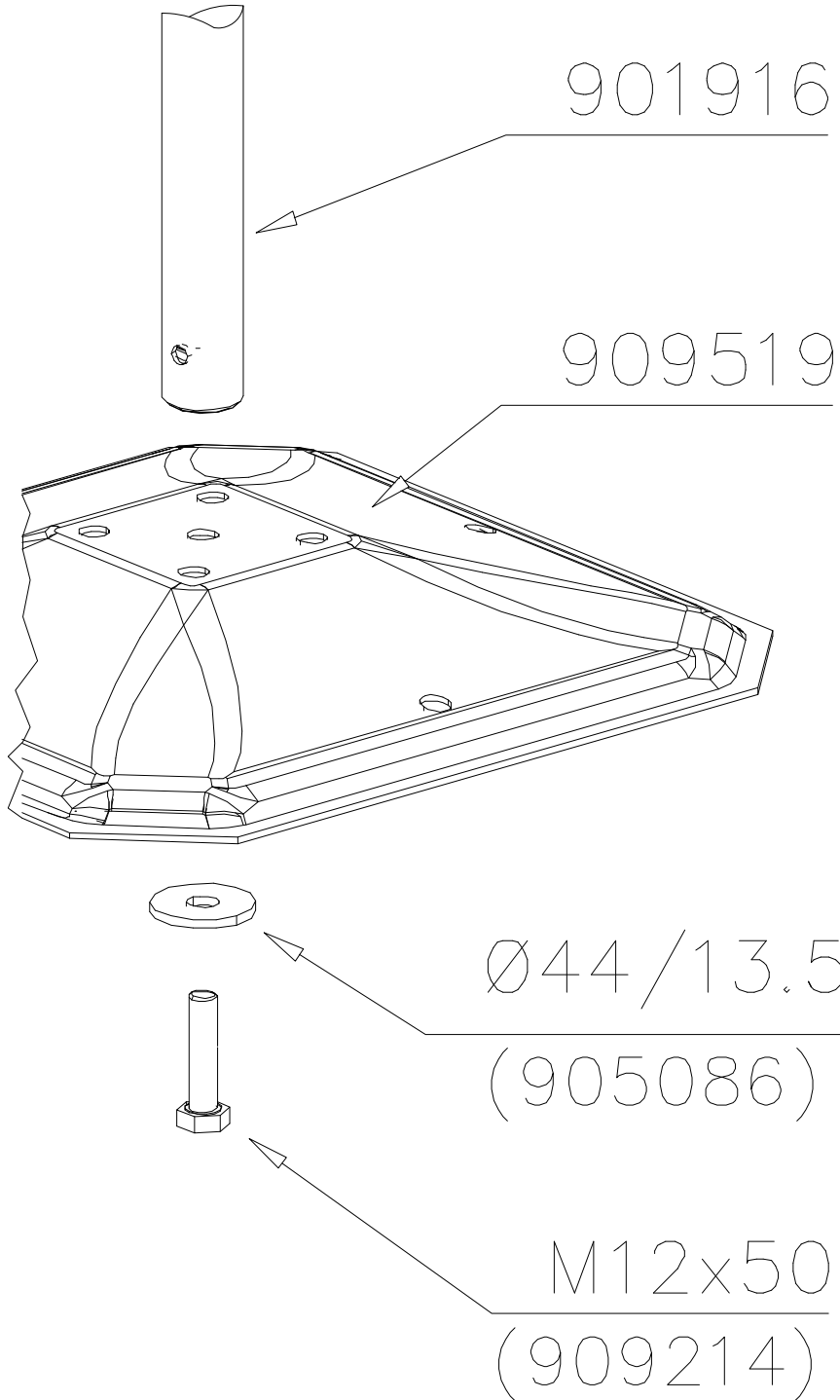
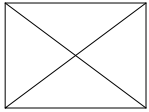


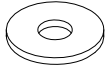
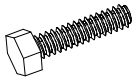
LAPPSET® DEEP FOUNDATION

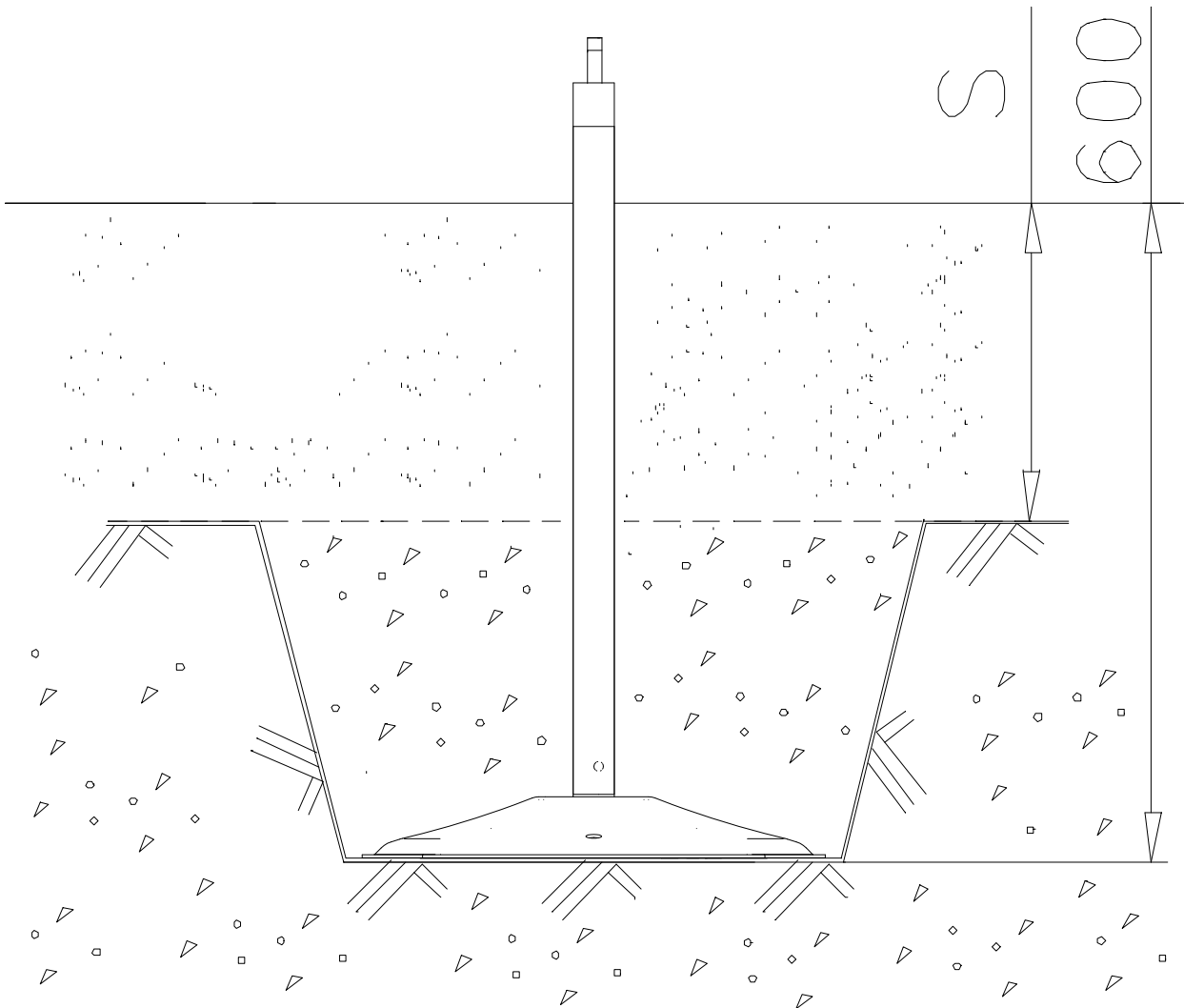
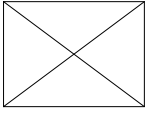
POLE

DATE: 15.5.2014

1(1)



①	905086	PCS	②	909214	PCS
		1			1
	Ø44/13.5		M12x50		
		PCS			PCS
		PCS			PCS
		PCS			PCS
		PCS			PCS
		PCS			PCS
		PCS			PCS
		PCS			PCS

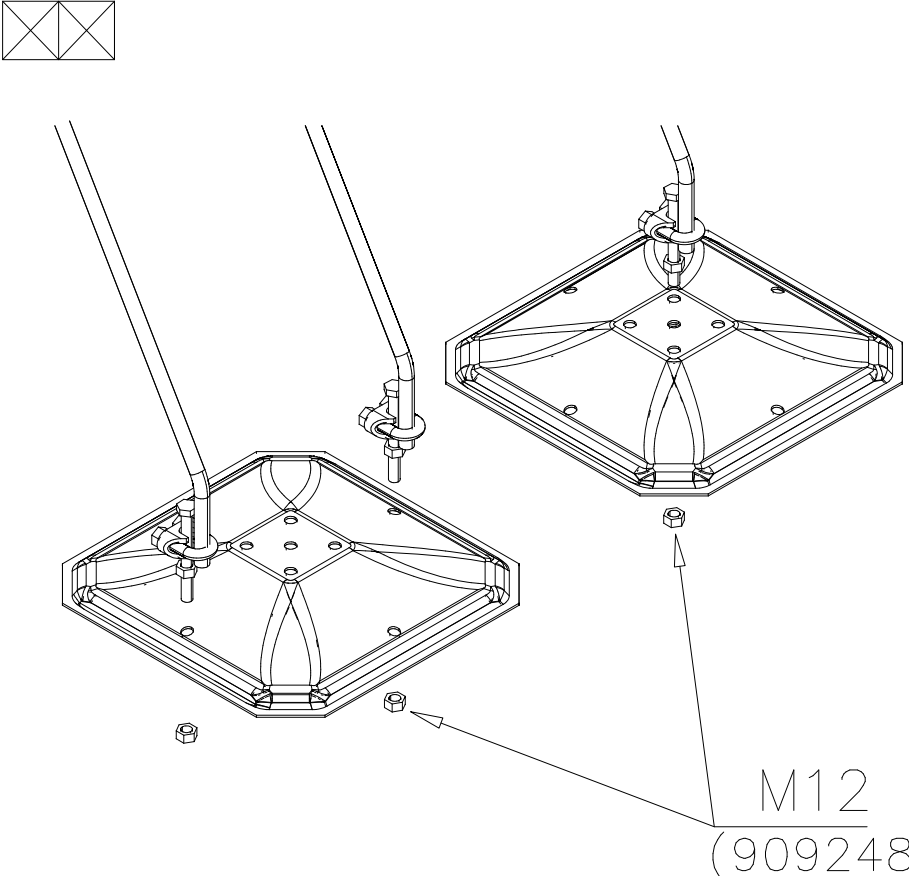



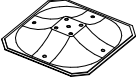
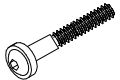

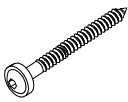

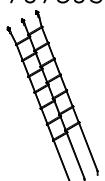
LAPPSET® DEEP FOUNDATION

ROPE LADDER

DATE: 19.1.2017

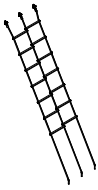
1(3)



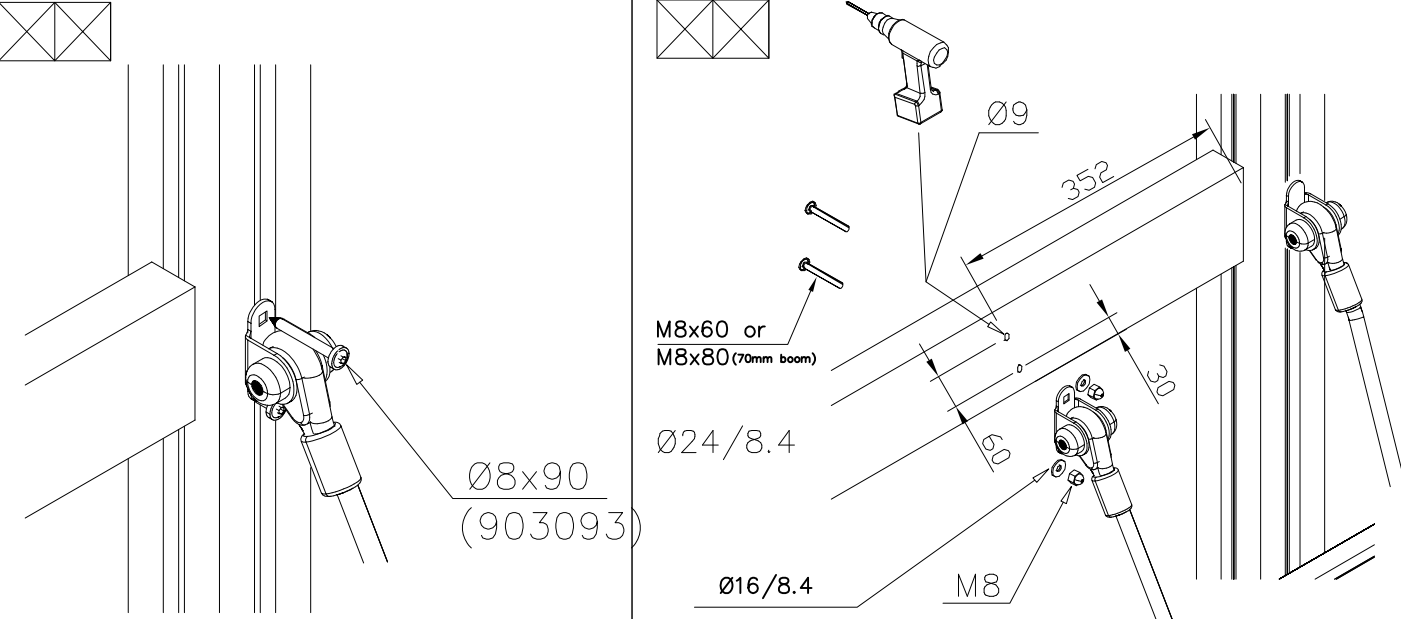
① 909256	PCS	② 909519	PCS
	2		2
Ø16/8.4x1.6		50x380x380	
③ 909866	PCS	④ 909633	PCS
	2		2
M8x60		M8	
⑤ 903093	PCS	⑤ 901104	PCS
	4		2
Ø8x90		M8x80	
	PCS	○ 707395	PCS
			1
		+2570	

M12
(909248)

ROPE LADDER COLOR OPTIONS



xxxxxx-301	BLUE
xxxxxx-302	RED
xxxxxx-303	BEIGE
xxxxxx-304	GRAY
xxxxxx-305	BLACK
xxxxxx-306	YELLOW



Ø8x90
(903093)

M8x60 or
M8x80 (70mm boom)

Ø24/8.4

Ø16/8.4

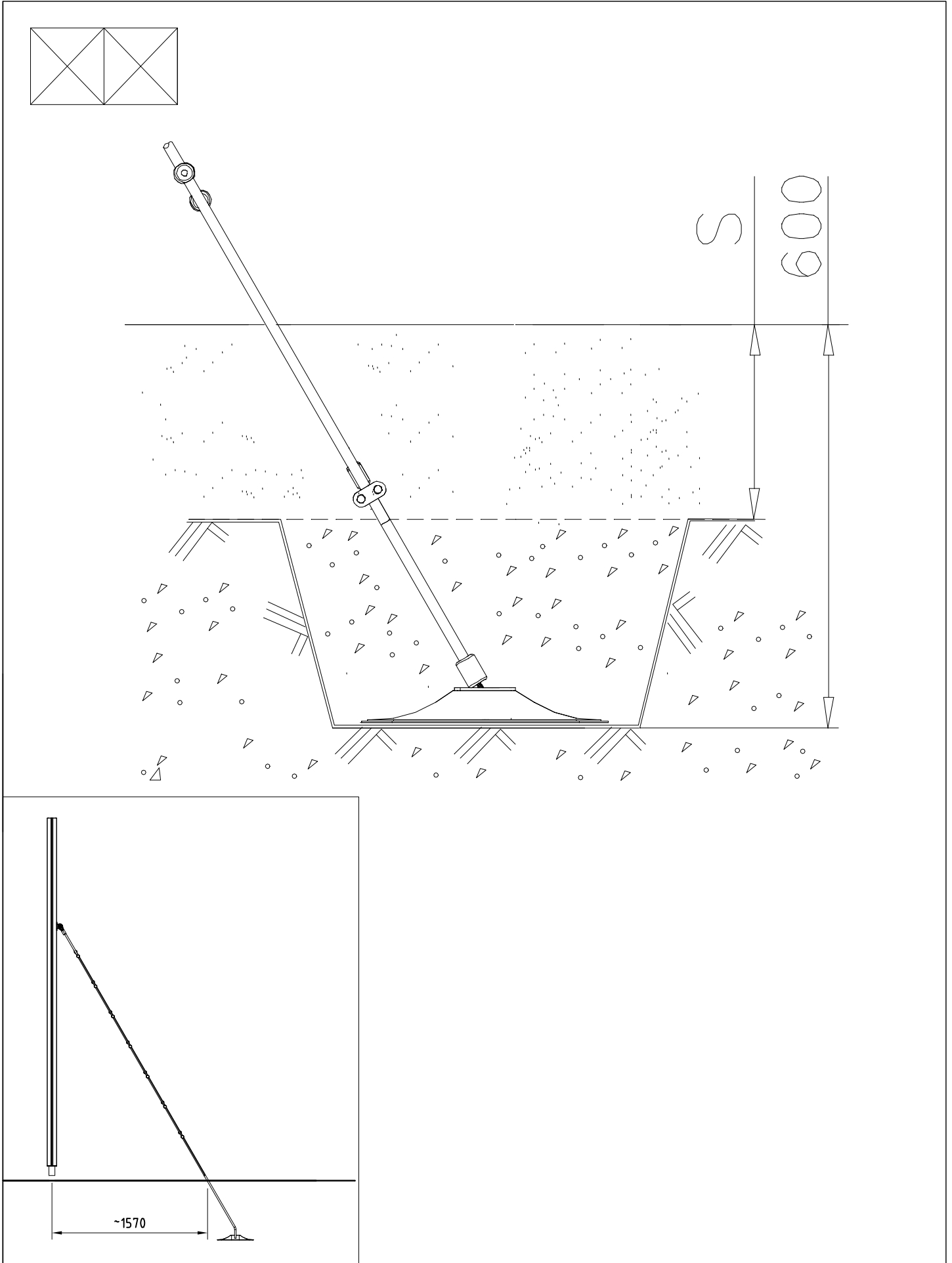
M8

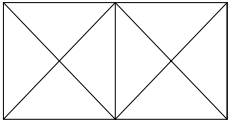
Ø9

352

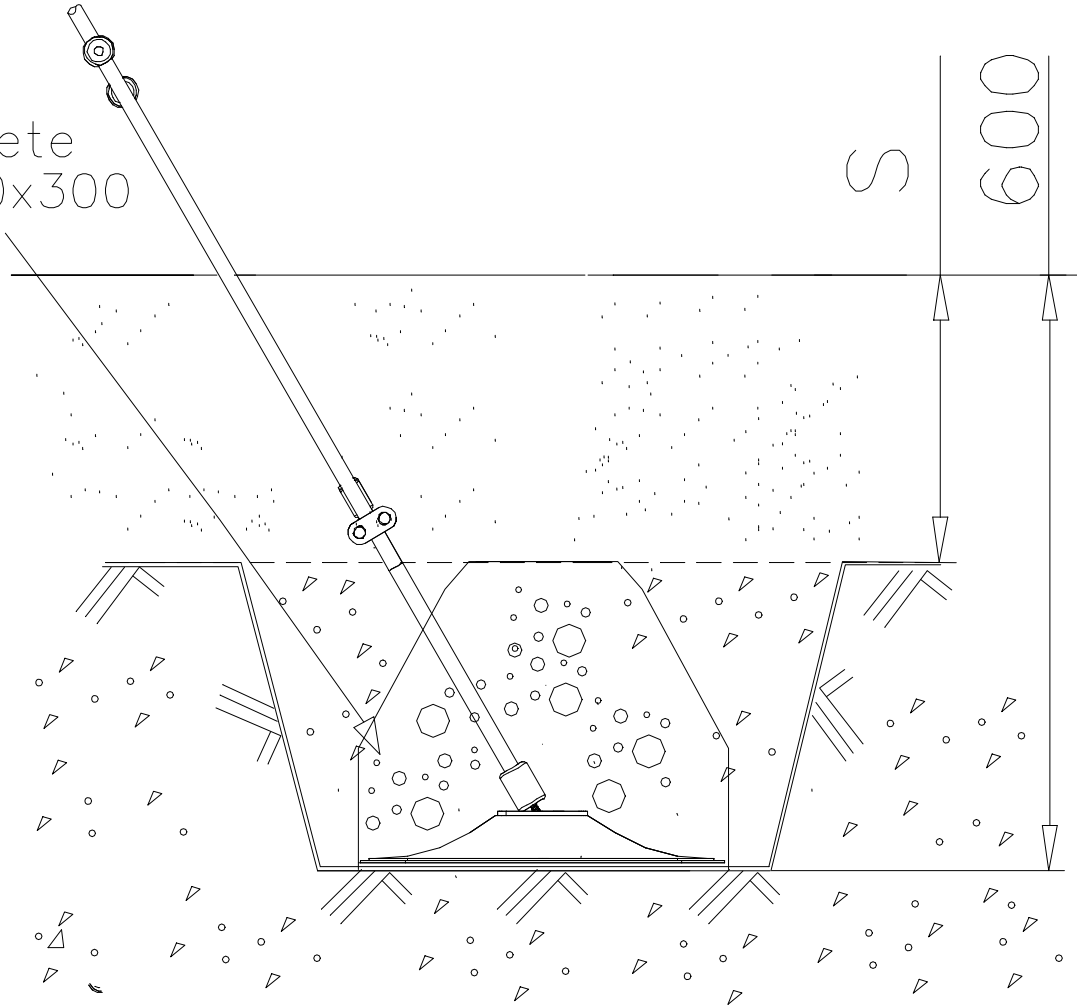
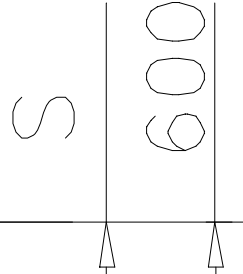
30

50

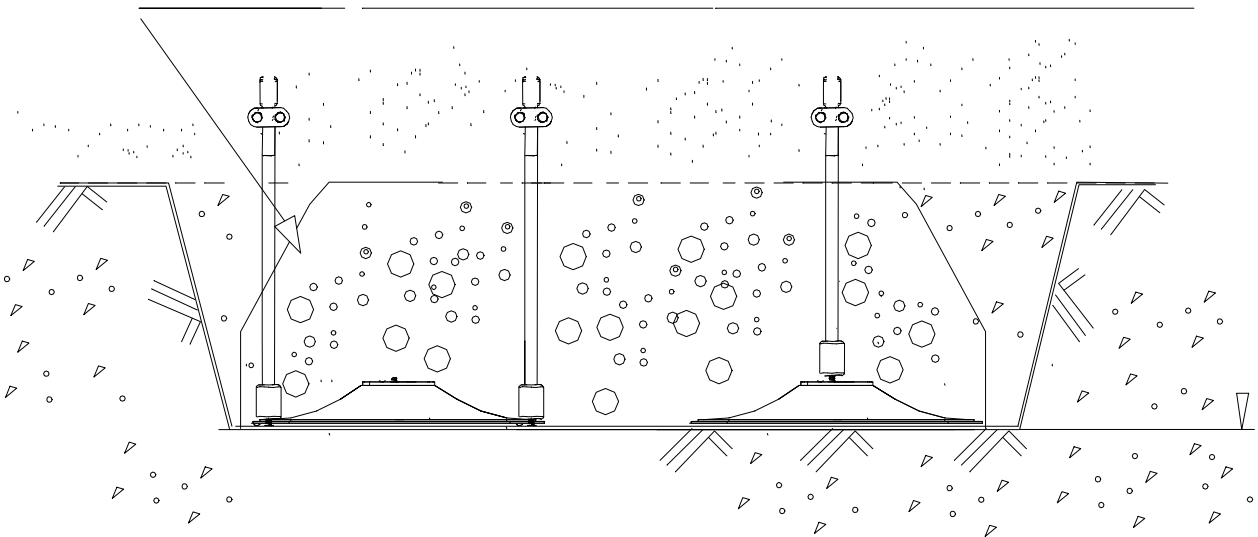


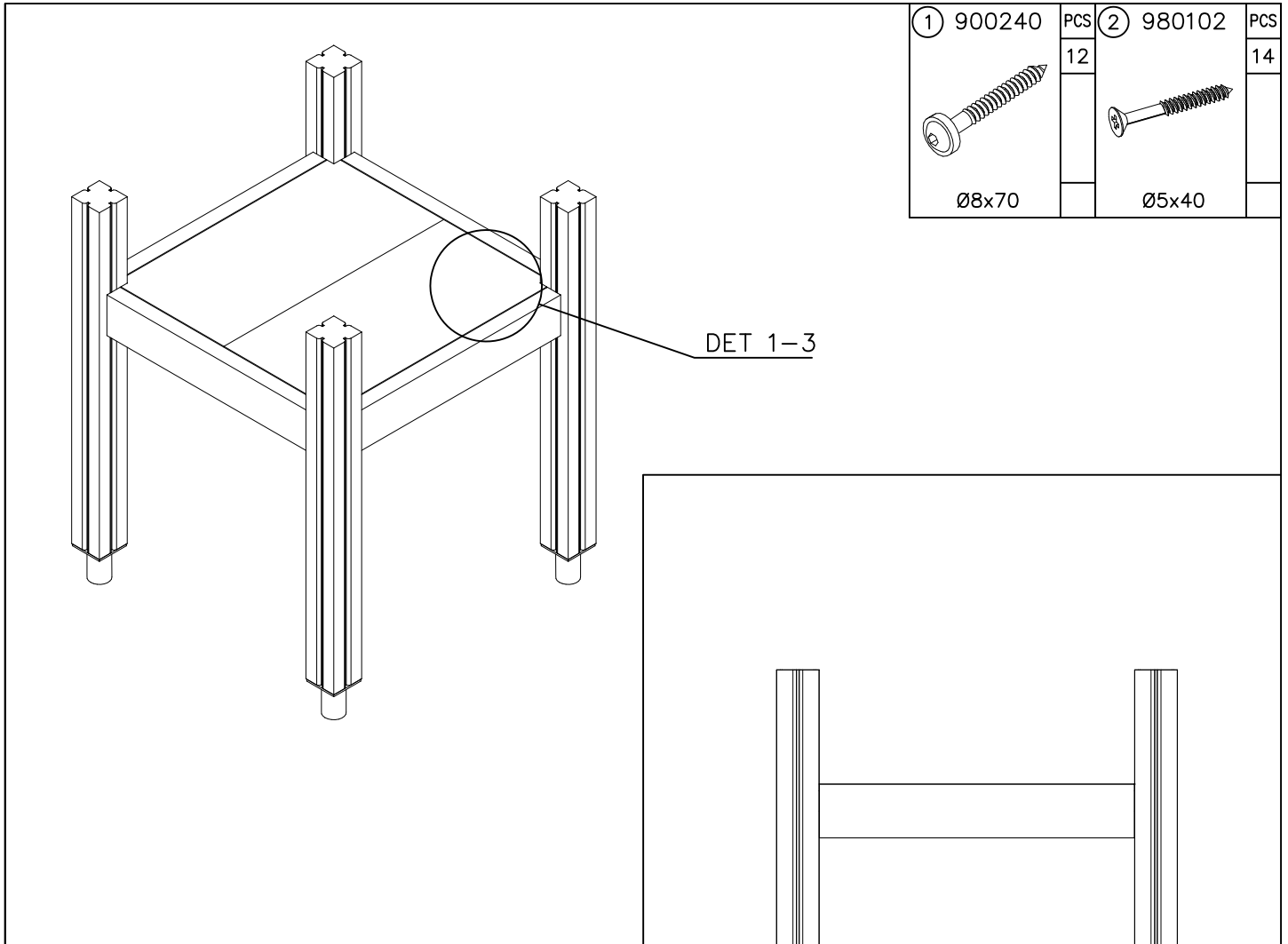


Concrete
1000x500x300

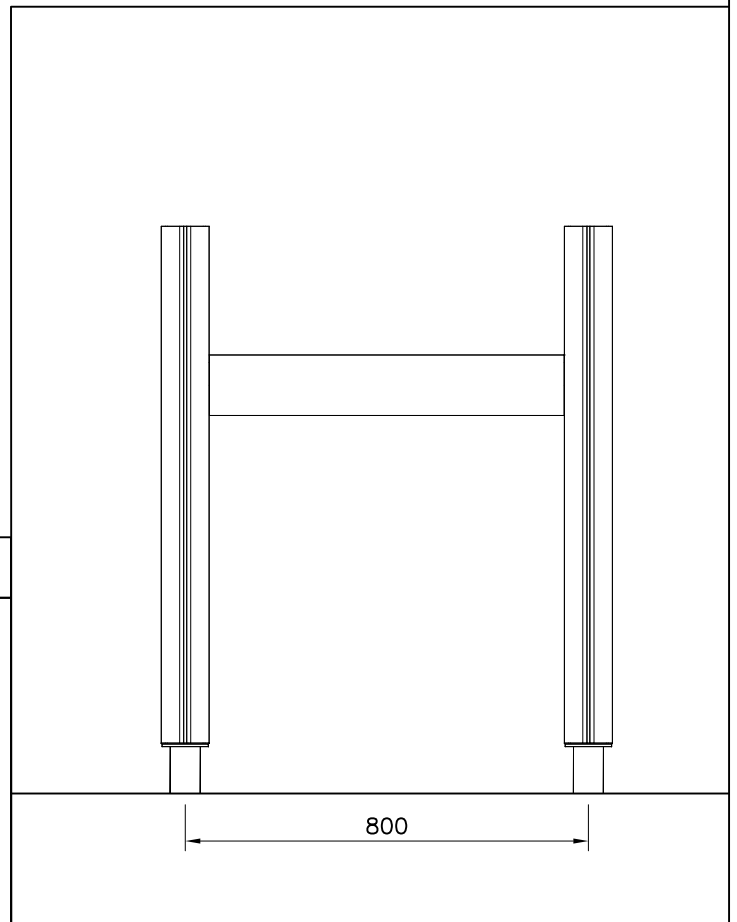


Concr de
1000x500x300





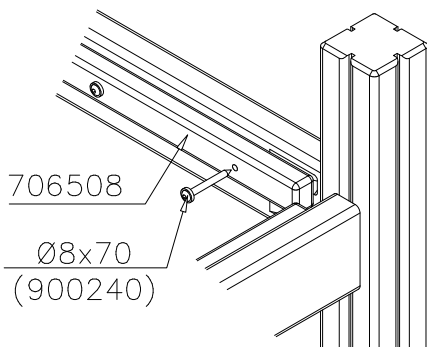
① 900240	PCS	② 980102	PCS
	12		14
Ø8x70		Ø5x40	



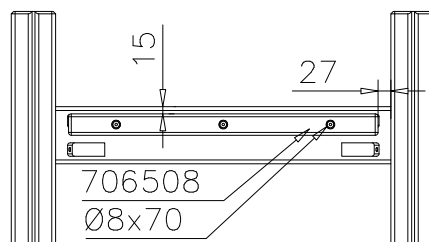
FLOOR OPTIONS

 15x375x750	707327-701	BLUE
	707327-702	YELLOW
	707327-703	LIME
	707327-704	DARK GRAY
	707327-705	LIGHT GRAY
	707327-706	RED
	707327-707	GREEN
	707327-708	FUXIA

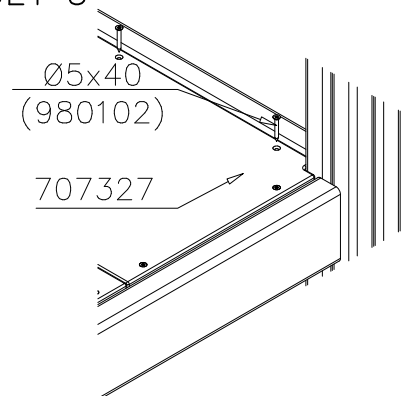
DET 1

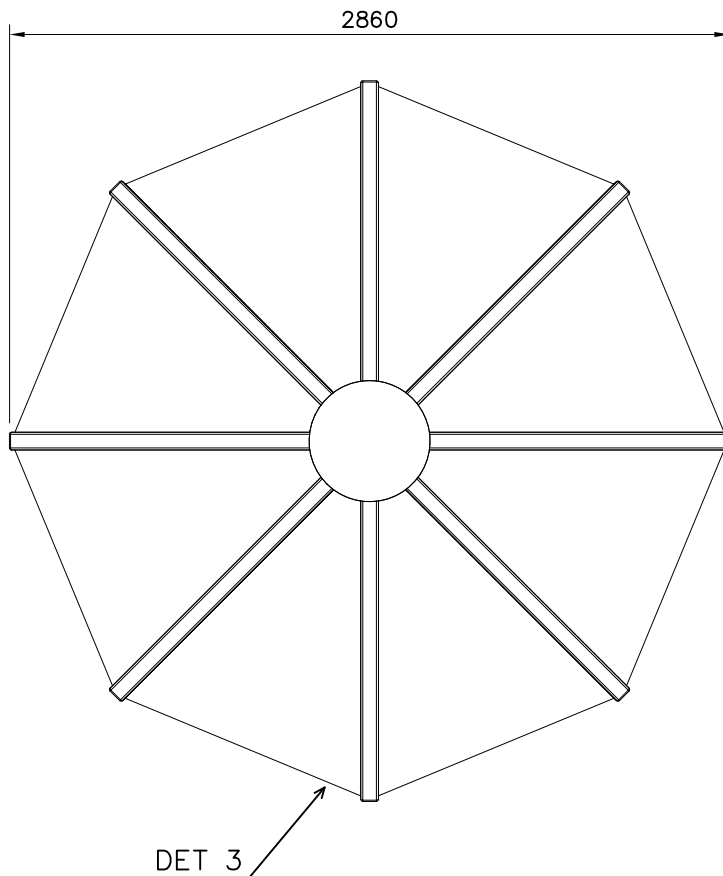
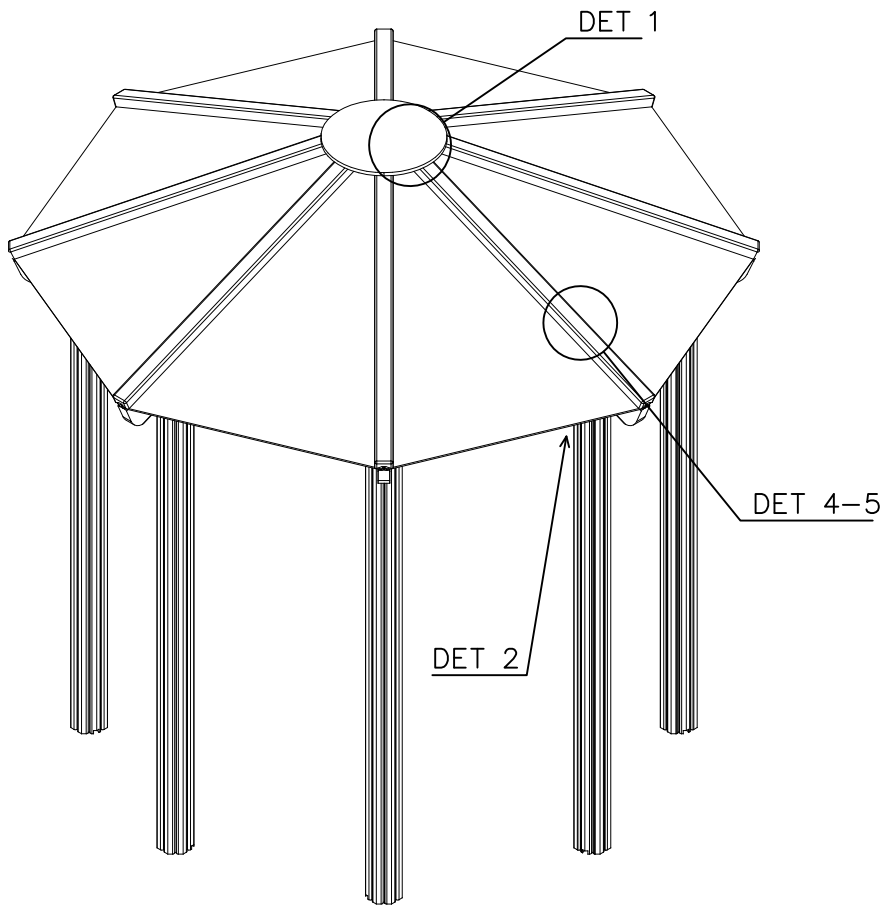





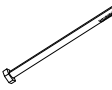




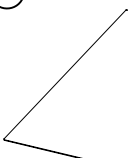
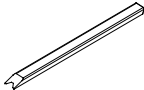



DET 2



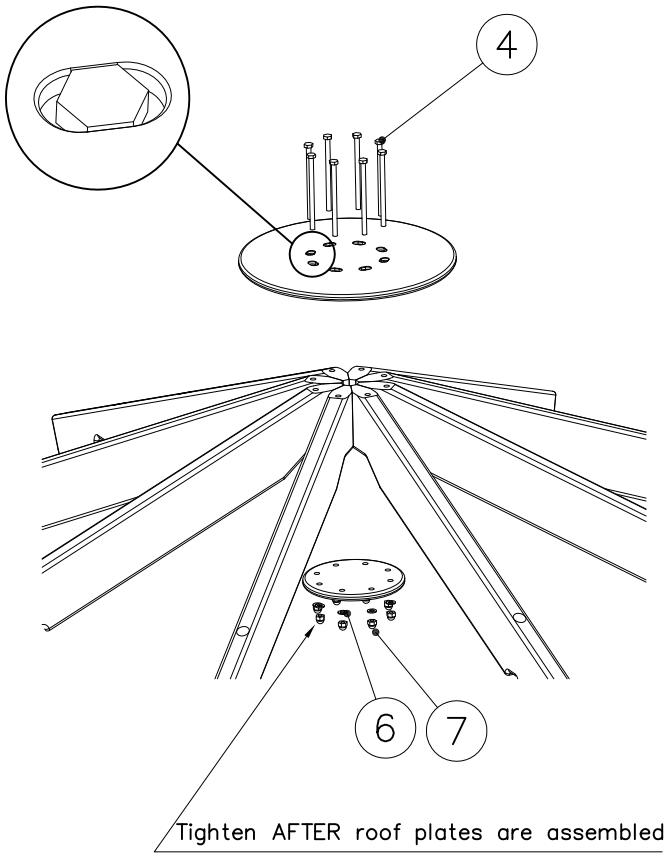
DET 3



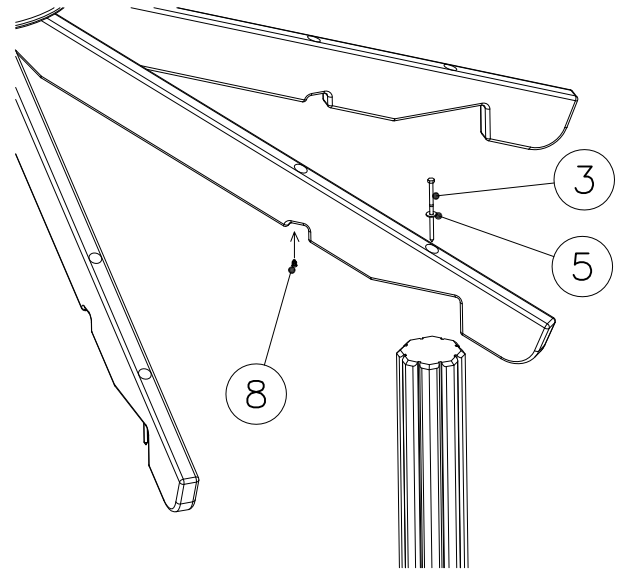


①	980100	PCS	②	980104	PCS
		48			32
					
	Ø5x60			Ø5x90	
③	909230	PCS	④	900208	PCS
		8			8
					
	8x150			M10x170	
⑤	905051	PCS	⑥	901302	PCS
		8			8
					
	Ø24/8.4			Ø20/10.5	
⑦	900965	PCS	⑧	903533	PCS
		8			8
					
	M10			SRL12 TO Ø9	
		PCS			PCS
○	707667	PCS	○	707688	PCS
		8			8
					
	10x1295x1075			45x70x1385	
○	707689	PCS	○	707691	PCS
		8			1
					
	45x145x1495			15xØ480	
○	707692	PCS			PCS
		1			
					
	15xØ225				

DET 1

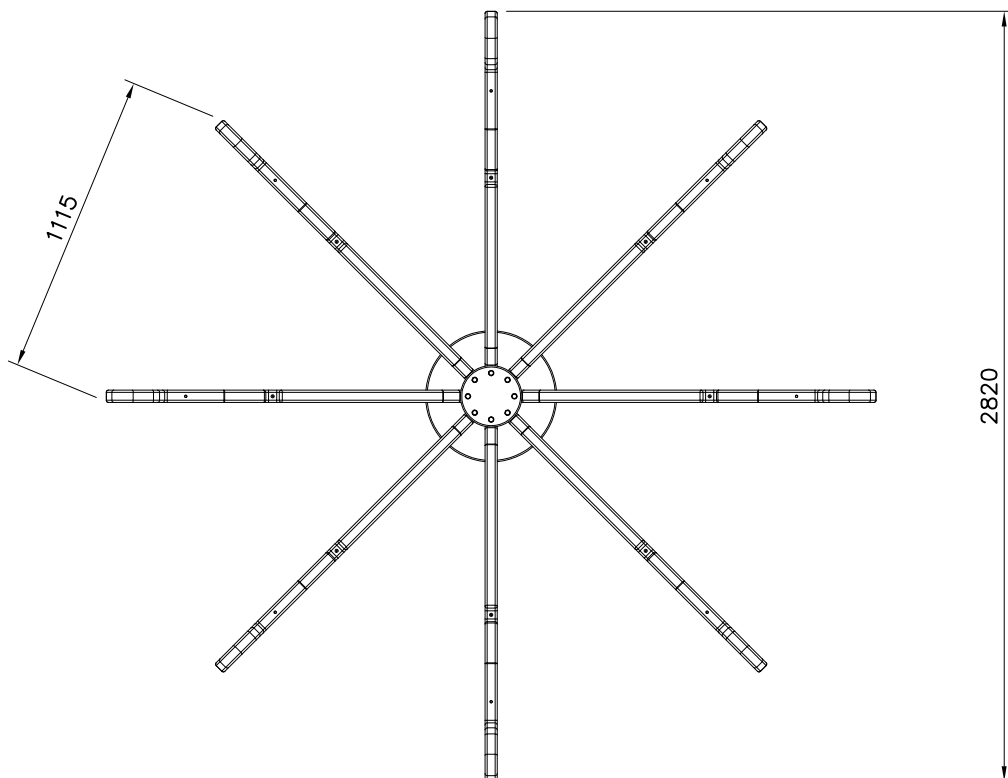


DET 2

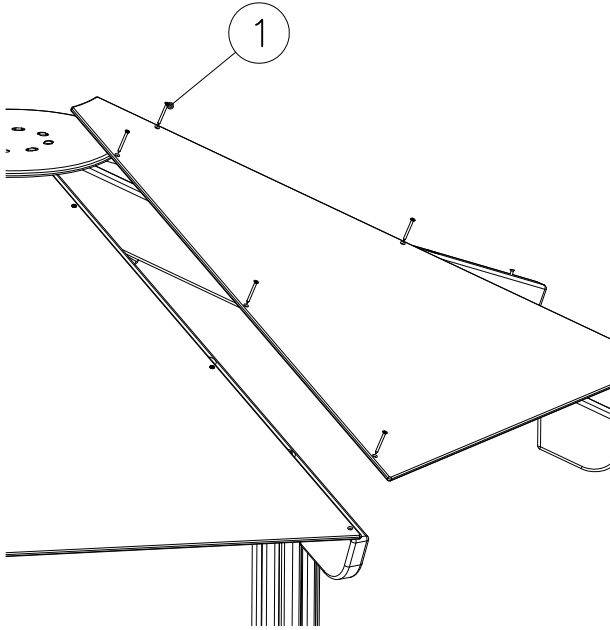


DET 3

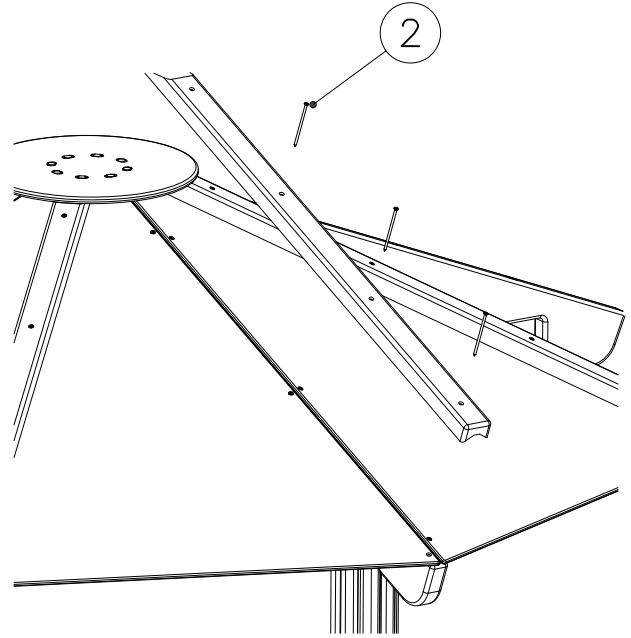
Check measures



DET 4



DET 5



LAPPSET® FASTENER KIT

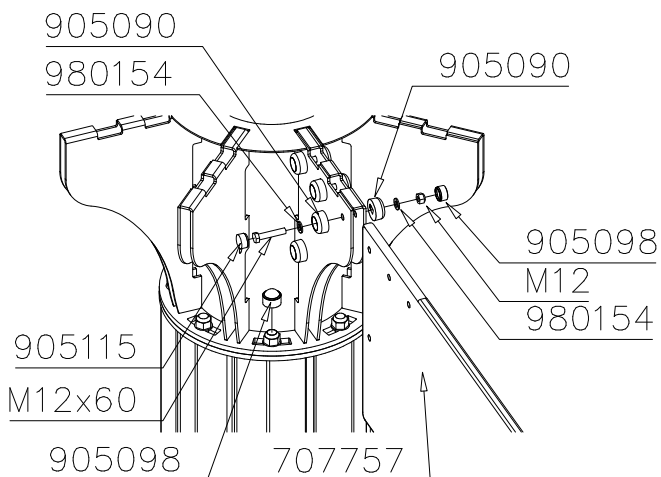
707872

DATE: 8.7.2016

1(2)

① 900477 M12x60 PCS 32	② 905083 Ø32 PCS 8		
③ 905090 Ø45 PCS 64	④ 905098 M20 PCS 8		
⑤ 905112 Ø22 PCS 8	⑥ 905115 Ø30 PCS 64		
⑦ 905857 M8x35 PCS 8	⑧ 909248 M12 PCS 32		
⑨ 980100 Ø5x60 PCS 15	⑩ 980150 M8 PCS 8	⑪ 980151 Ø16/8.4 PCS 8	⑫ 980154 Ø24/13 PCS 64

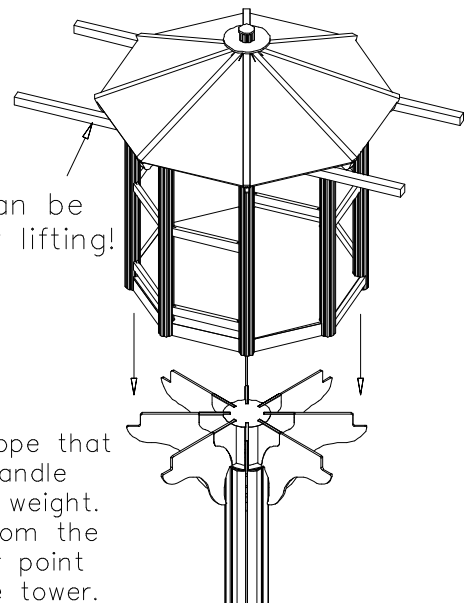
DET 1



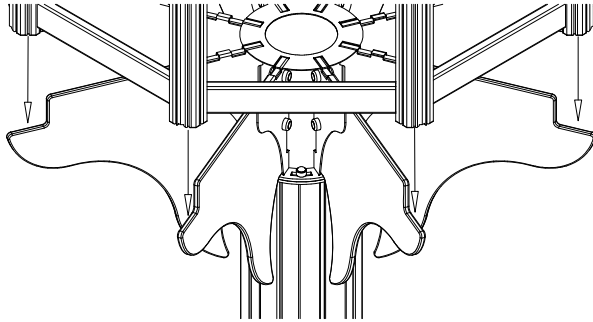
DET 2

Posts can be used for lifting!

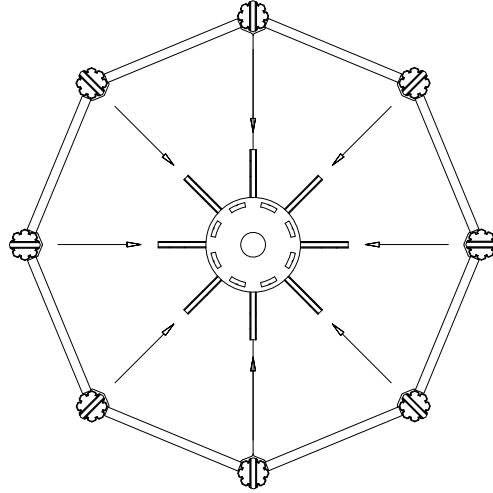
NOTE!
Use rope that can handle heavy weight. Lift from the center point of the tower.



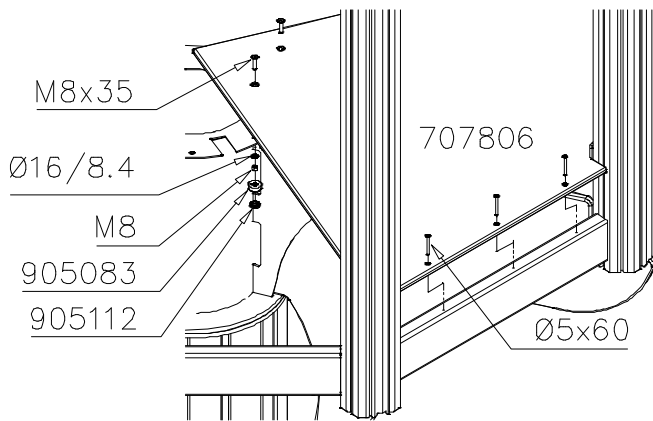
DET 3

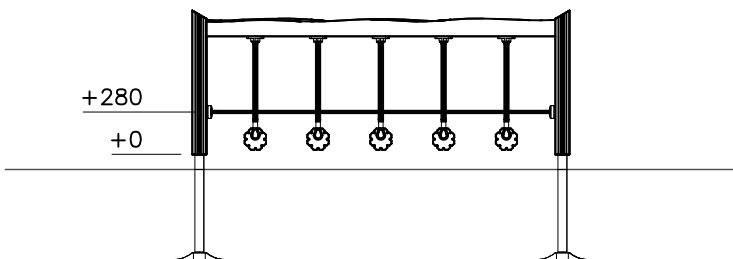
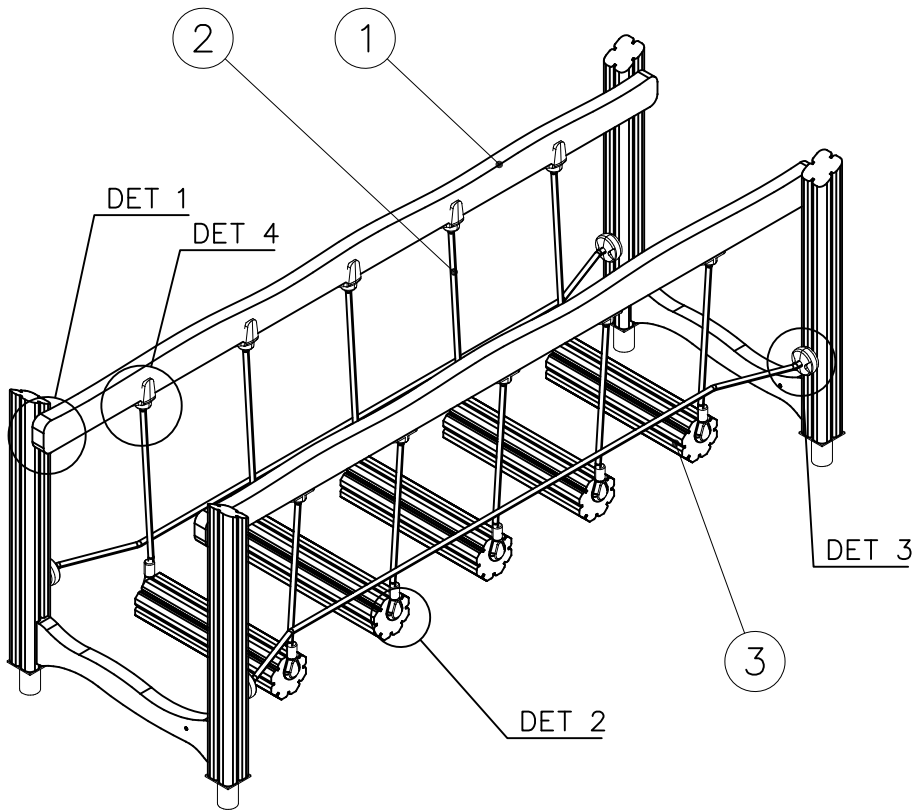


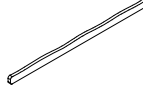
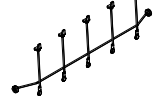
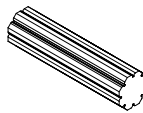
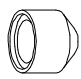
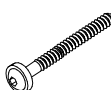
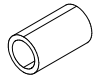





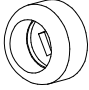
NOTE! Make sure that the groove in bottom of post is in right position.

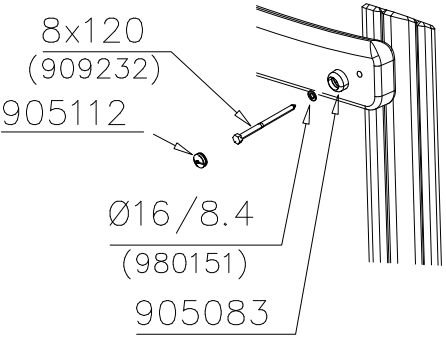
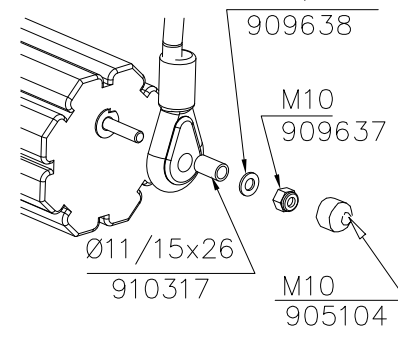
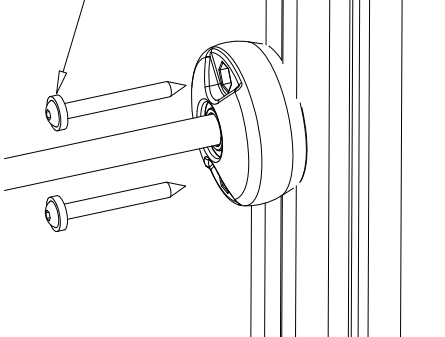
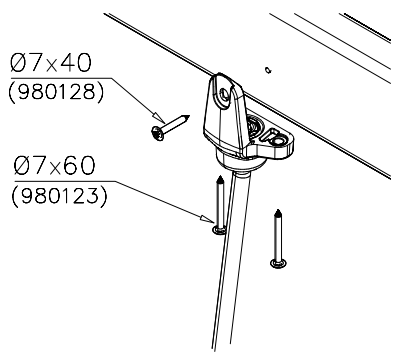


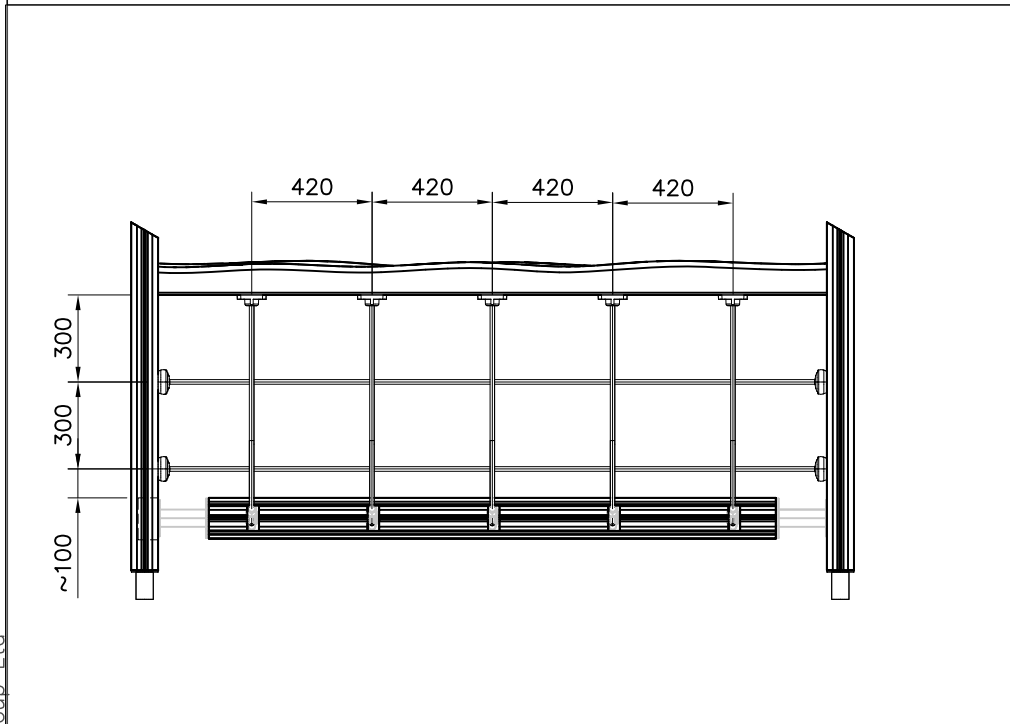
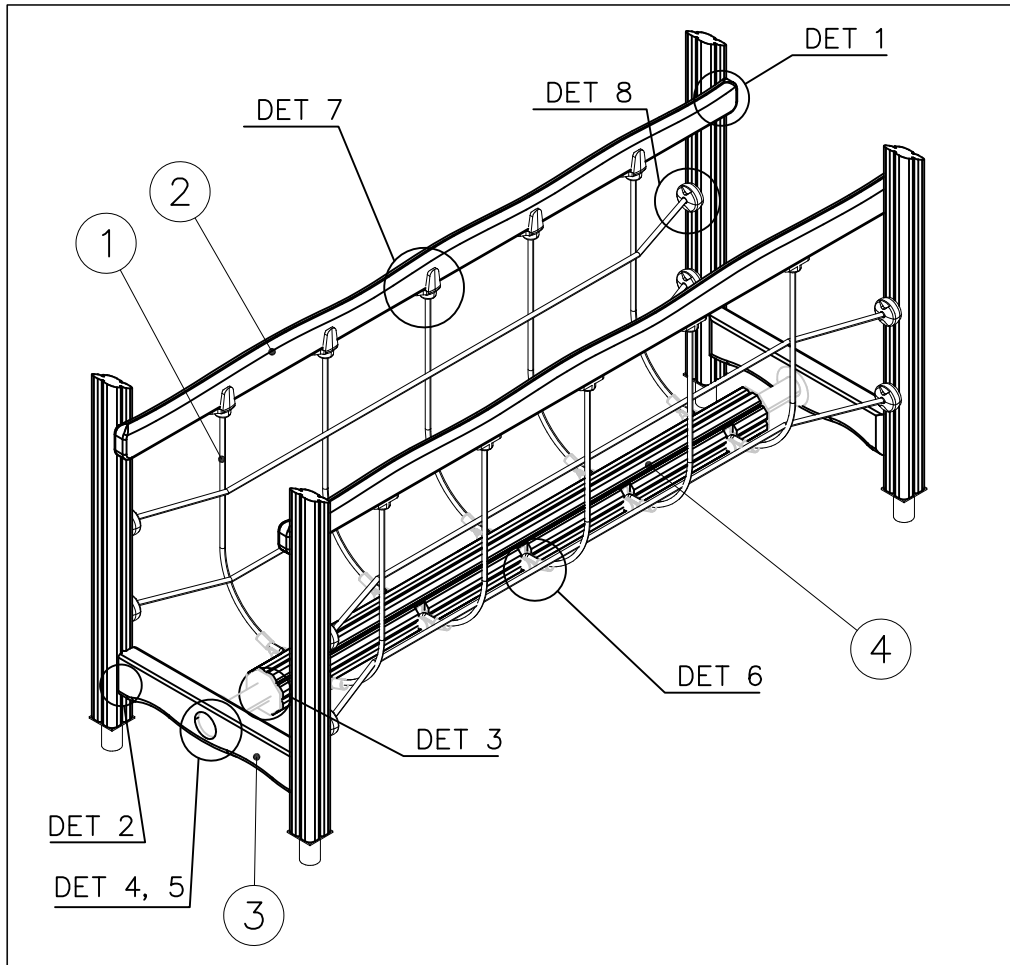
DET 4

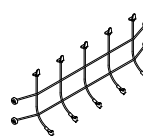
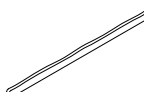
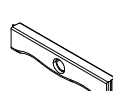







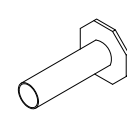
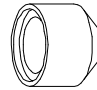

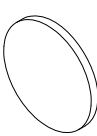


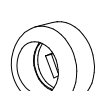



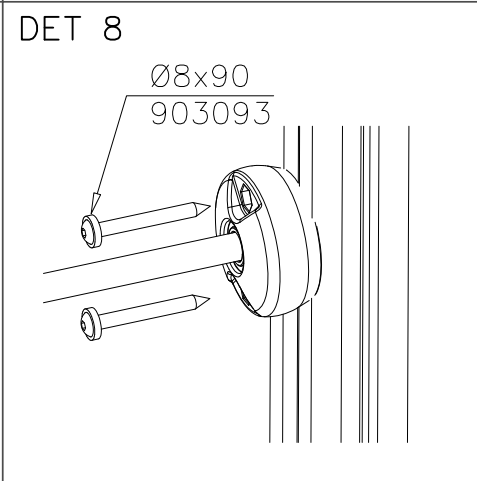
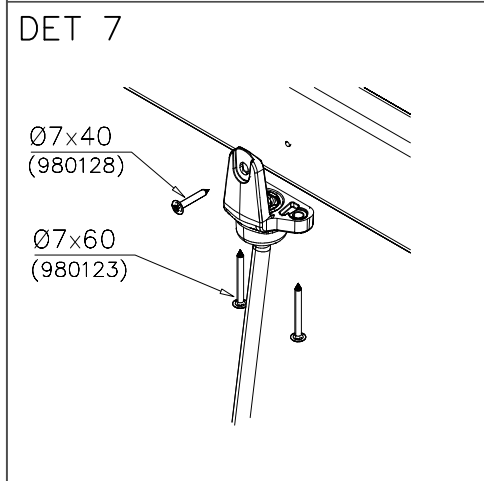
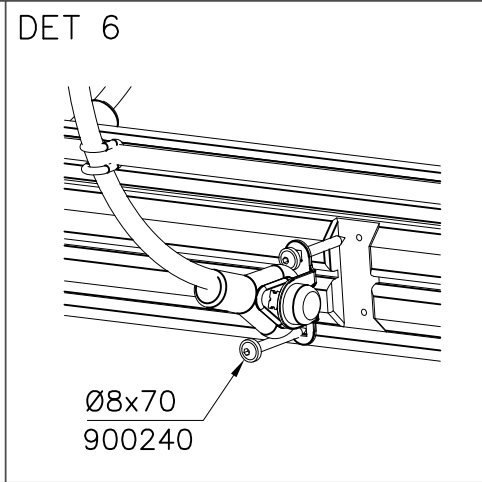
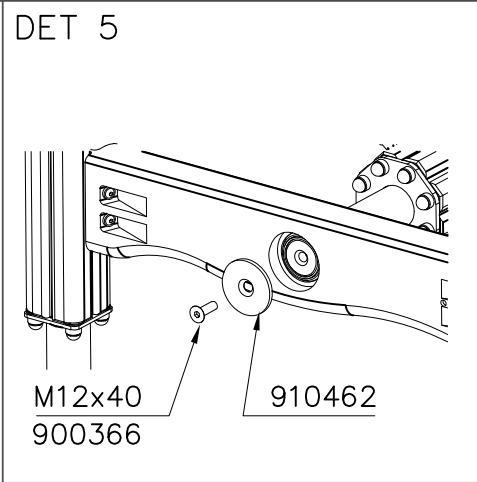
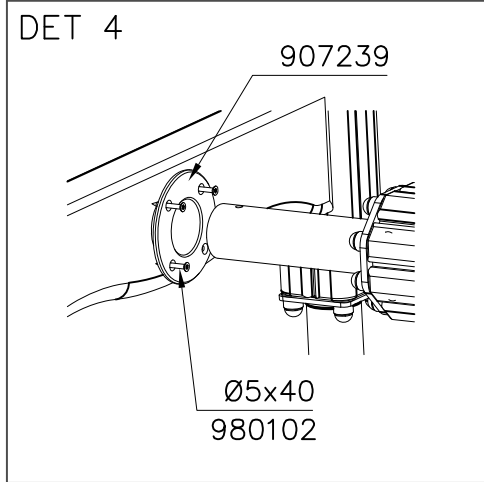
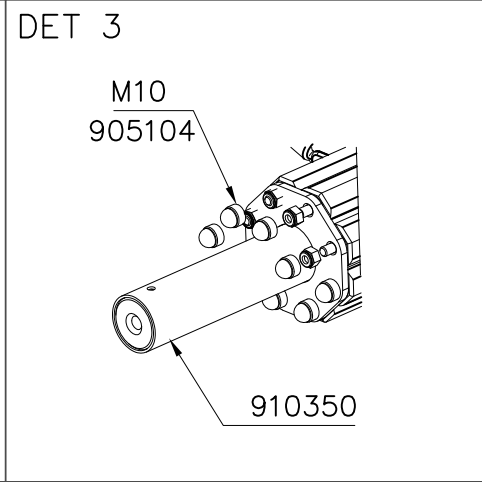
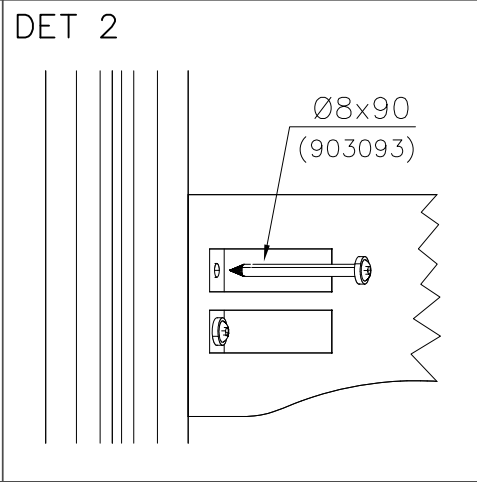
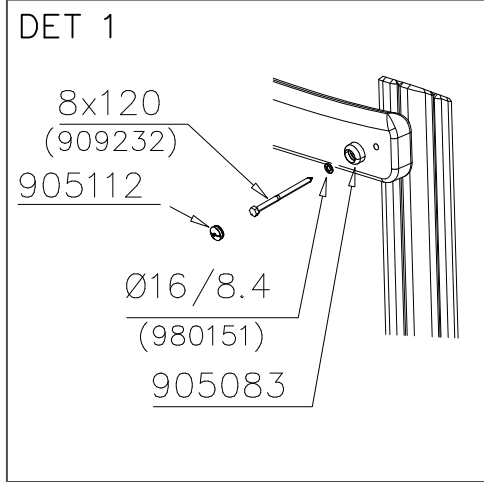


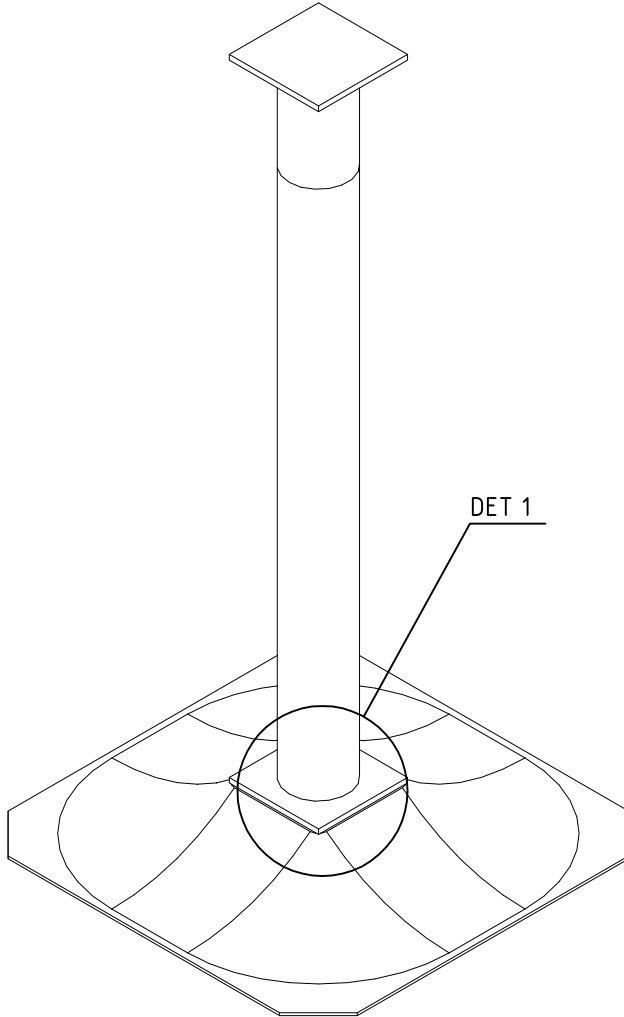
①	705222	PCS	②	708458	PCS
		2			2
	45x113x2480			2340x700	
③	708680	PCS	④	905104	PCS
		5			10
	140x140x550			M10	
⑤	903093	PCS	⑥	910317	PCS
		8			10
	Ø8x90			Ø11/15x26	
⑦	980123	PCS	⑧	980128	PCS
		20			10
	Ø7x60			Ø7x40	
⑨	980151	PCS	⑩	909232	PCS
		4			4
	Ø16/8.4			Ø8x120	
⑪	905112	PCS	⑫	905083	PCS
		4			4
	Ø22			Ø32	
		PCS			PCS
		PCS			PCS


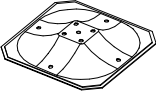


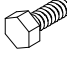
<p>DET 1</p>  <p>8x120 (909232)</p> <p>905112</p> <p>Ø16/8.4 (980151)</p> <p>905083</p>	<p>DET 2</p>  <p>Ø20/10.5 909638</p> <p>M10 909637</p> <p>Ø11/15x26 910317</p> <p>M10 905104</p>	<p>DET 3 Ø8x90 903093</p> 
<p>DET 4</p>  <p>Ø7x40 (980128)</p> <p>Ø7x60 (980123)</p>		



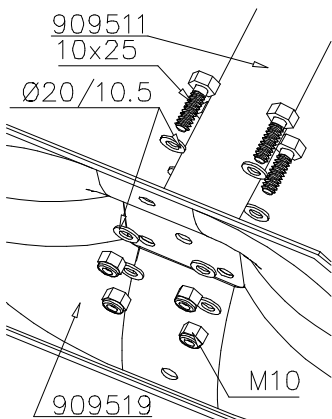
① 708748	PCS	② 705222	PCS
	2		2
		45x113x2480	
③ 708760	PCS	④ 708759	PCS
	2		1
68x145x724		8K L 1999	
⑤ 980123	PCS	⑥ 980102	PCS
	20		8
Ø7x60		Ø5x40	
⑦ 900366	PCS	⑧ 980128	PCS
	2		10
M12x40		Ø7x40	
⑨ 907239	PCS	⑩ 900240	PCS
	2		20
		Ø8x70	
⑪ 910350	PCS	⑫ 905104	PCS
	2		16
		M10	
⑬ 903093	PCS	⑭ 910462	PCS
	24		2
Ø8x90			
⑮ 980151	PCS	⑰ 905112	PCS
	4		4
Ø16/8.4		Ø22	
		⑱ 905083	PCS
			4
		Ø32	
		⑳ 909232	PCS
			4
		Ø8x120	



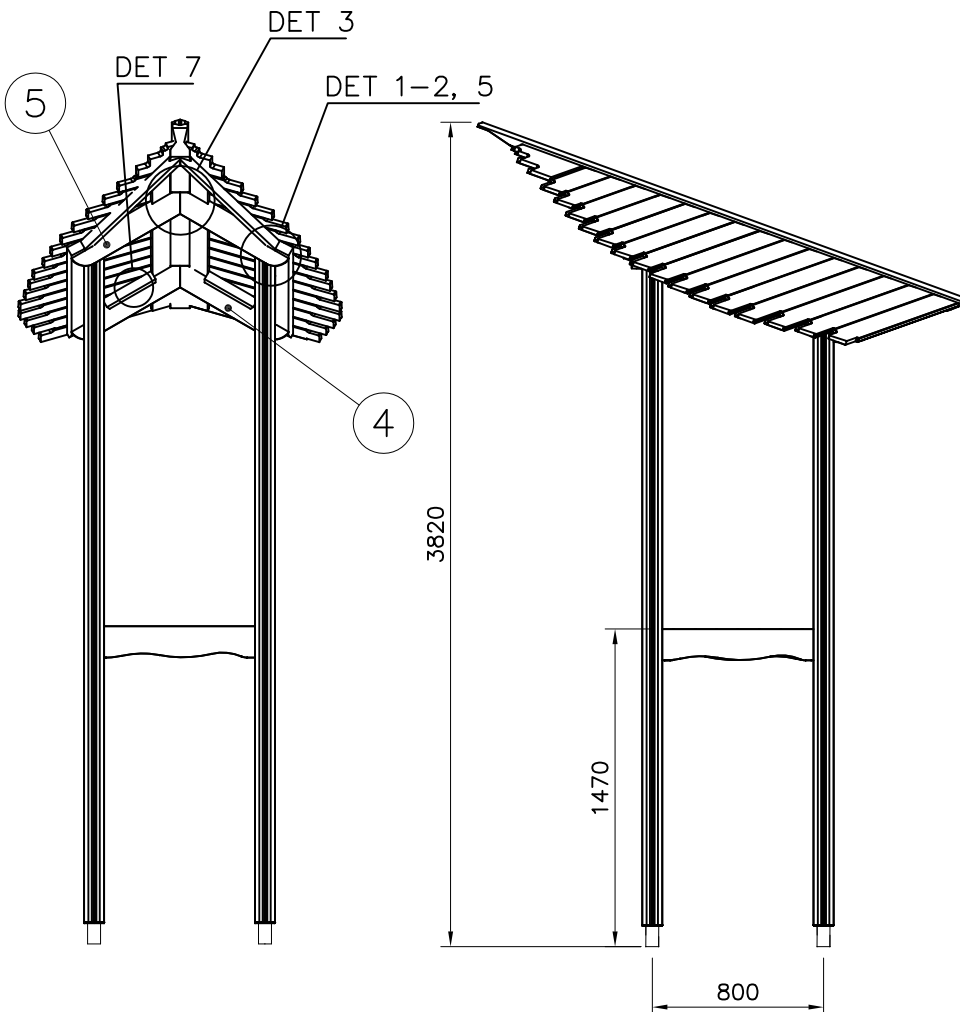
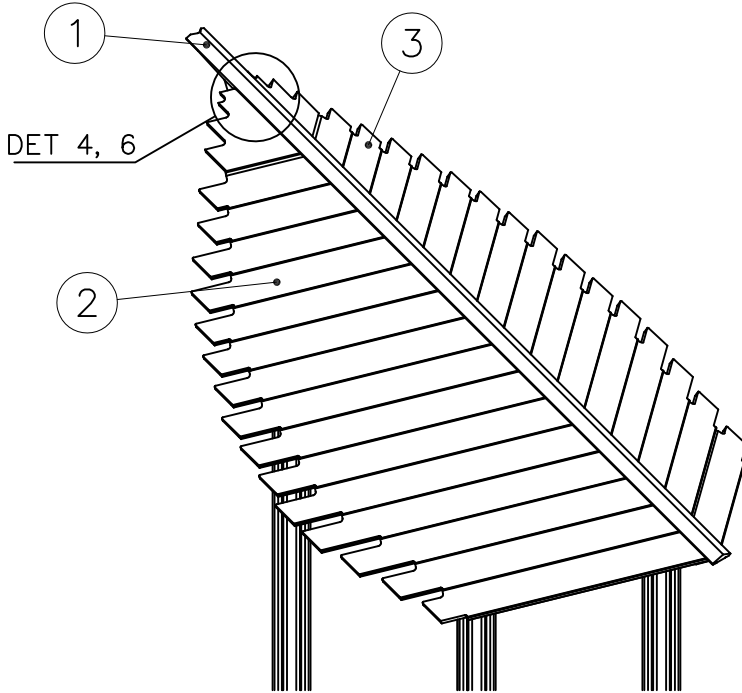


①	909511	PCS	②	909519	PCS
		1			1
③	909637	PCS	④	909638	PCS
		4			8
	M10			Ø20/10.5	
⑤	909639	PCS			PCS
		4			
	M10x25				
		PCS			PCS
		PCS			PCS
		PCS			PCS
		PCS			PCS
		PCS			PCS

DET 1

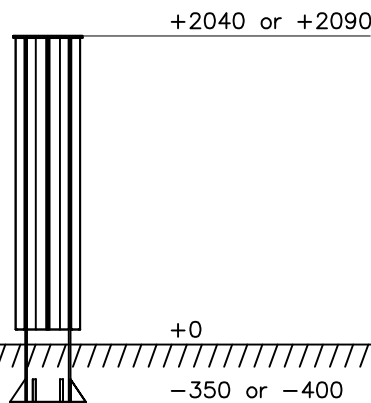
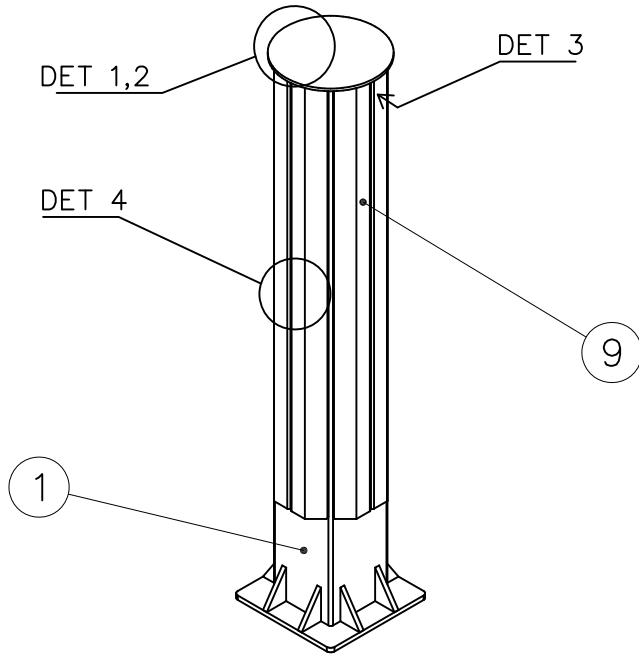






① P12350	PCS	② P12353	PCS
	1		1
L=2400			
③ P12352	PCS	④ 705528	PCS
	1		1
⑤ 705529	PCS	⑥ 900240	PCS
	1		8
		Ø8x70	
⑦ 905087	PCS	⑧ 909137	PCS
	4		4
		M12x160	
⑨ 909248	PCS	⑩ 980128	PCS
	4		6
M12		Ø7x40	
⑪ 980154	PCS		PCS
	4		
Ø24/13			
	PCS		PCS
	PCS		PCS

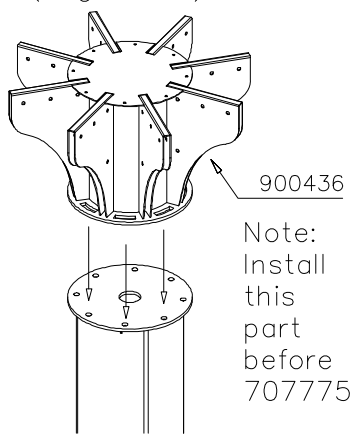
<p>DET 1</p> <p>705529 705528</p>	<p>DET 2</p> <p>905087 909137 980154 909248</p>	<p>DET 3</p> <p>Ø7x40 705190</p> <p>NOTE Center boom grooves accurately to the roof truss. Leave no gaps! HUOM Asenna puomi keskelle kattotuolia. Älä jätä rakoja!</p>
<p>DET 4</p> <p>NOTE: Head of the element to the end of groove. HUOM: Elementin pää uran päähän.</p> <p>P12353</p>	<p>DET 5</p> <p>NOTE: Install booms in to the cut of the roof truss. Leave no gaps! HUOM: Asenna puomit kattotuolin loveen. Älä jätä rakoja!</p>	<p>DET 6</p> <p>P12350</p> <p>Ø7x40</p>
<p>DET 7</p> <p>Ø8x70</p>		



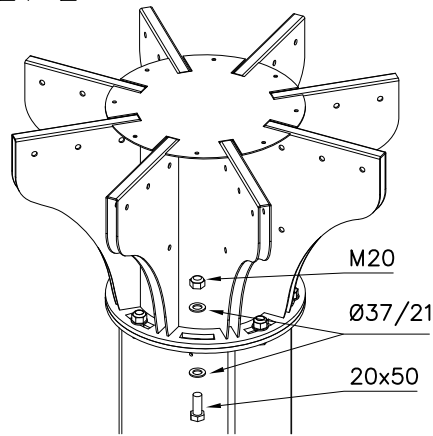
① 908378	PCS	② 909649	PCS
	1		8
		M24x430	
③ 909859	PCS	④ 909867	PCS
	16		24
Ø37/21		M8x70	
⑤ 929917	PCS	⑥ 929918	PCS
	8		8
M20x50		M20	
⑦ PN0247	PCS	⑧ 980154	PCS
	1		24
700x700x15		Ø24/13	
⑨ P12360	PCS	⑩ 905066	PCS
	8		24
63x165x1927		S30H	
	PCS		PCS
	PCS		PCS
	PCS		PCS

PLEASE SEE FOUNDATION DETAIL OPTIONS.

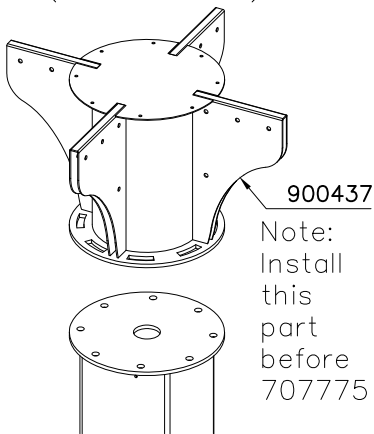
DET 1 (Big floor)



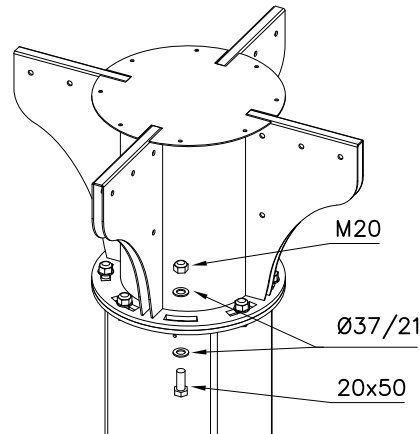
DET 2



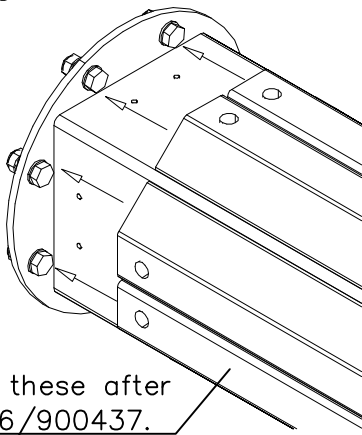
DET 1 (Small floor)



DET 2

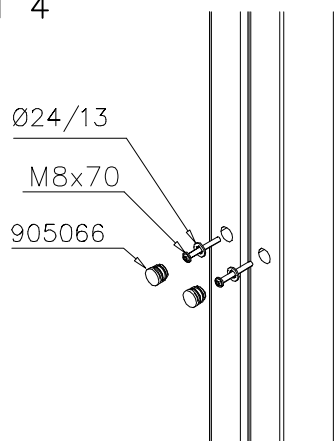


DET 3

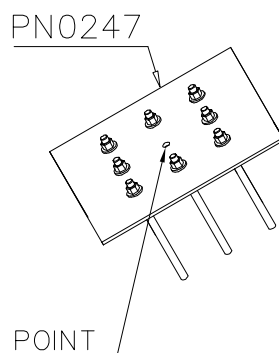
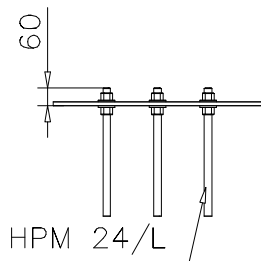


NOTE!
Install these after
900436/900437.

DET 4

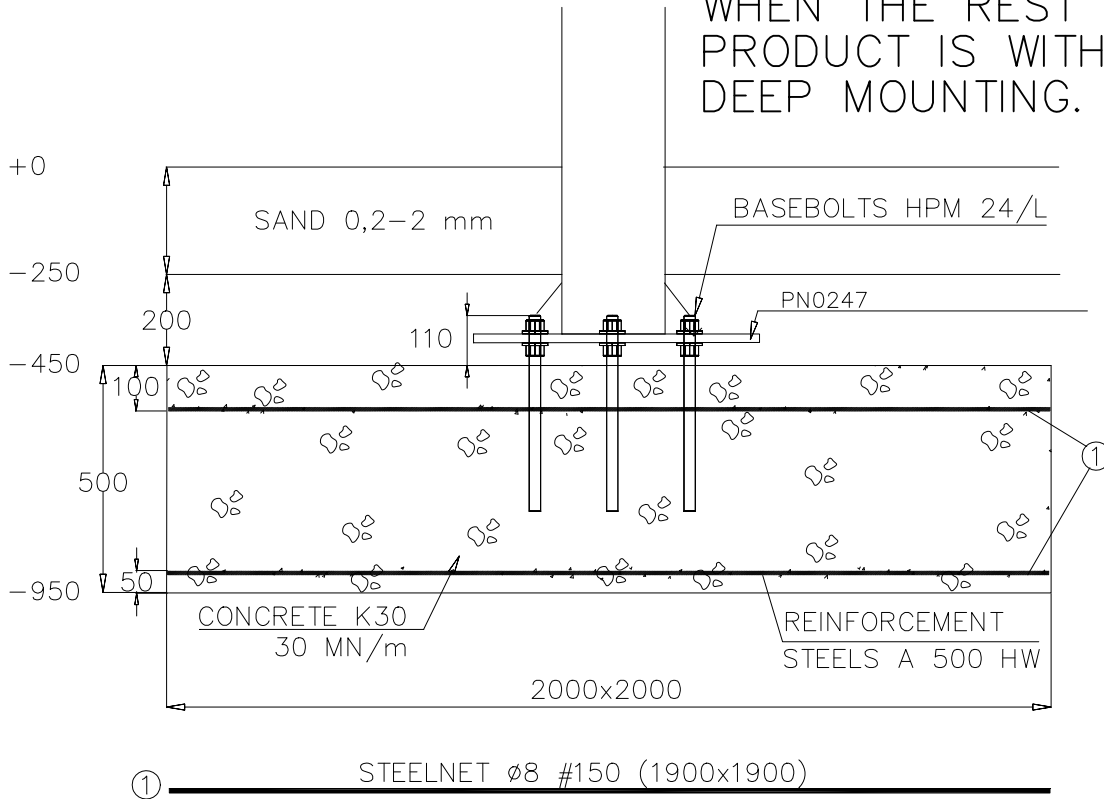


HOX! Use the plate to
focus right place for the
bolts

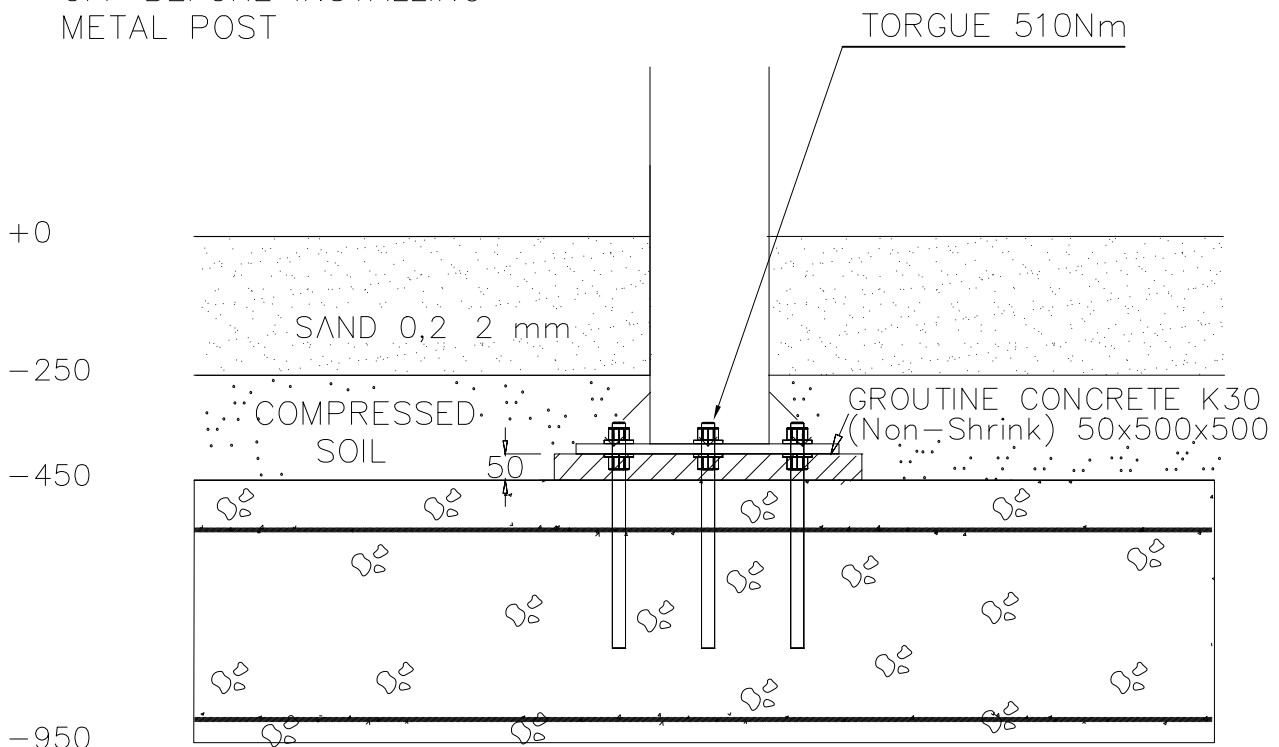


CONCRETE BLOCK SOLUTION

OPTION 1, THIS DETAIL NEEDS TO BE USED WHEN THE REST OF THE PRODUCT IS WITH DEEP MOUNTING.

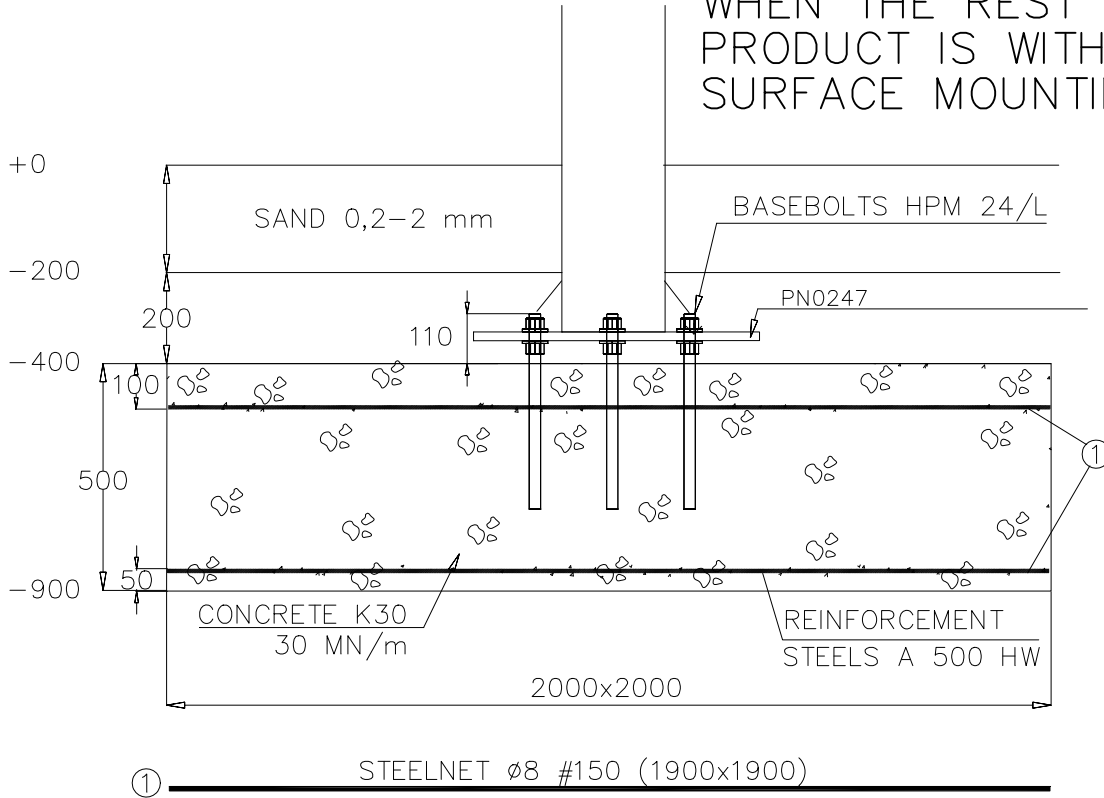


TAKE THE PLATE PN0247 OFF BEFORE INSTALLING METAL POST



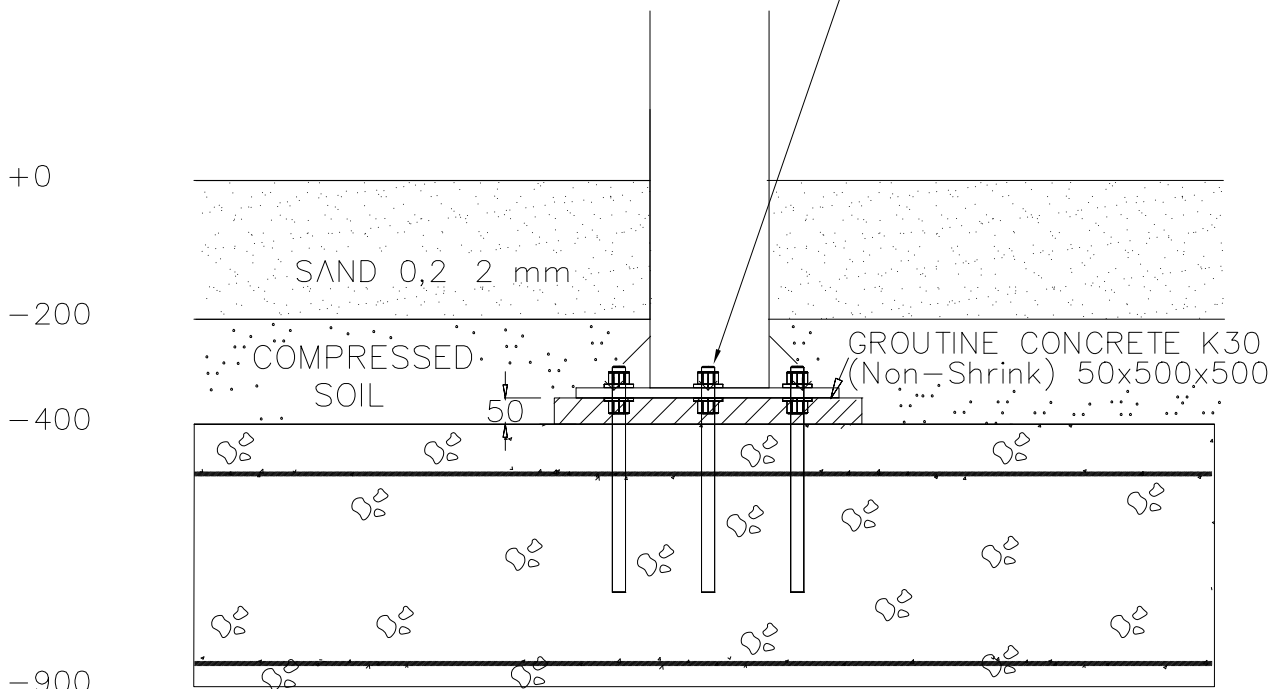
CONCRETE BLOCK SOLUTION

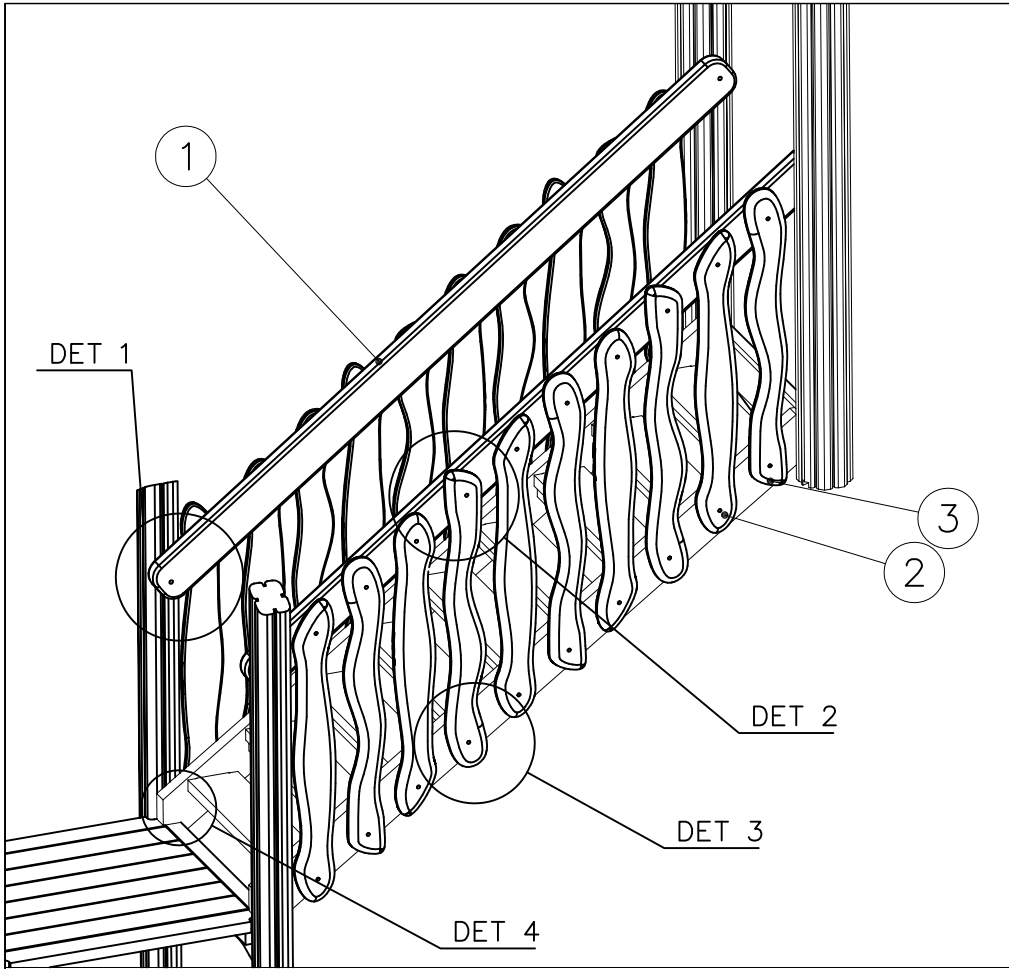
OPTION 2, THIS DETAIL NEEDS TO BE USED WHEN THE REST OF THE PRODUCT IS WITH SURFACE MOUNTING.

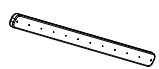








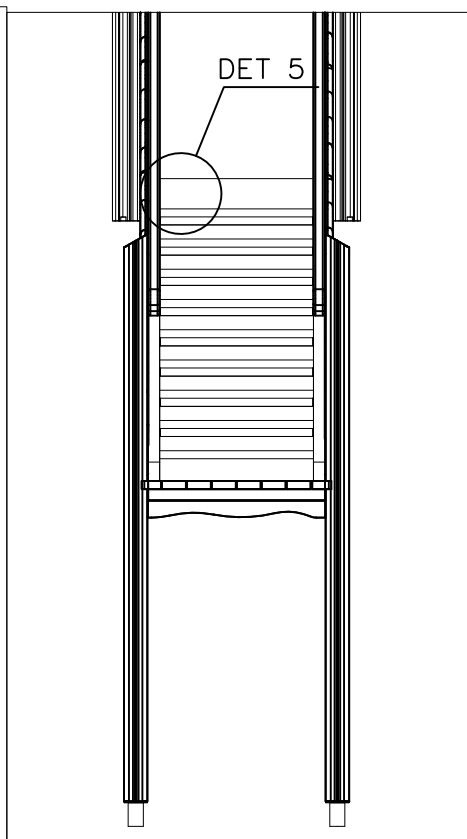
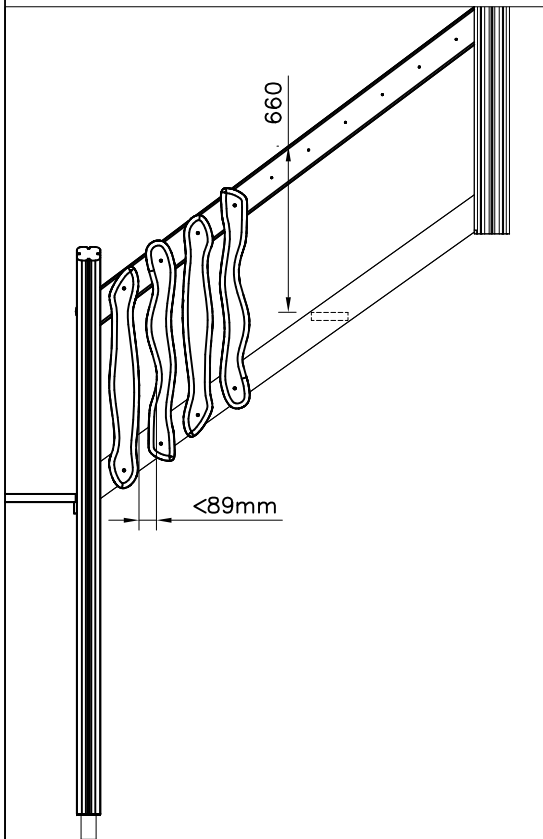
TAKE THE PLATE PN0247 OFF BEFORE INSTALLING METAL POST

TORQUE 510Nm

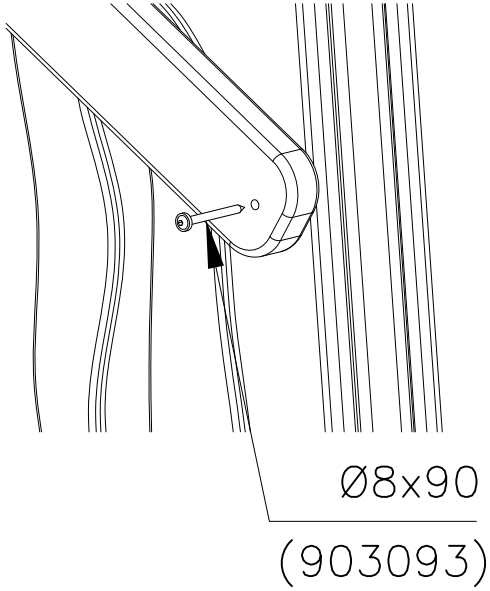




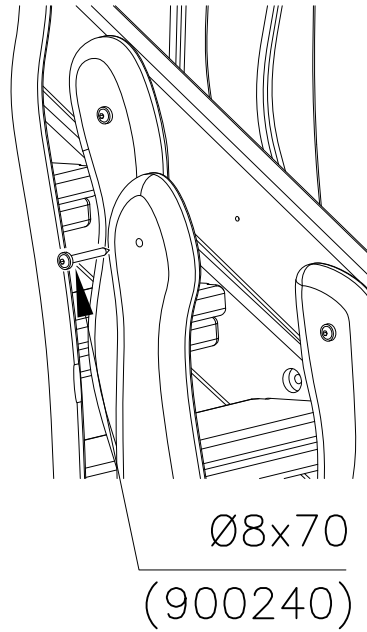
① P12432	PCS	② 705208	PCS
	2		10
45x120x2080		32x120x880	
③ 705209	PCS	④ 900240	PCS
	10		40
32x118x875		Ø8x70	
⑤ 903093	PCS	⑥ 980152	PCS
	6		2
Ø8x90		Ø24/8.4x2	
⑦ 980128	PCS		PCS
	3		
Ø7x40			
	PCS		PCS
	PCS		PCS
	PCS		PCS
	PCS		PCS



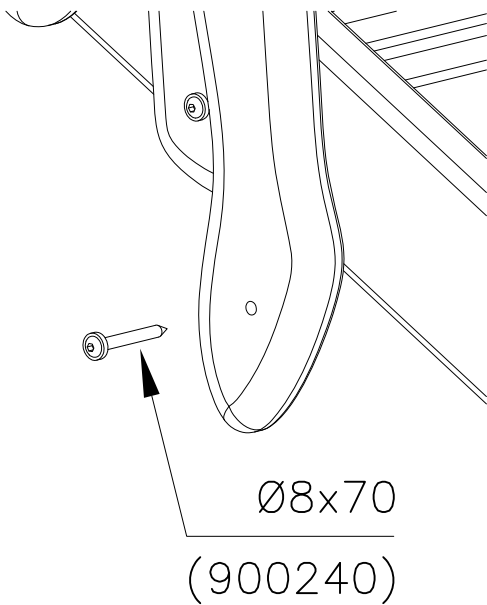
DET 1



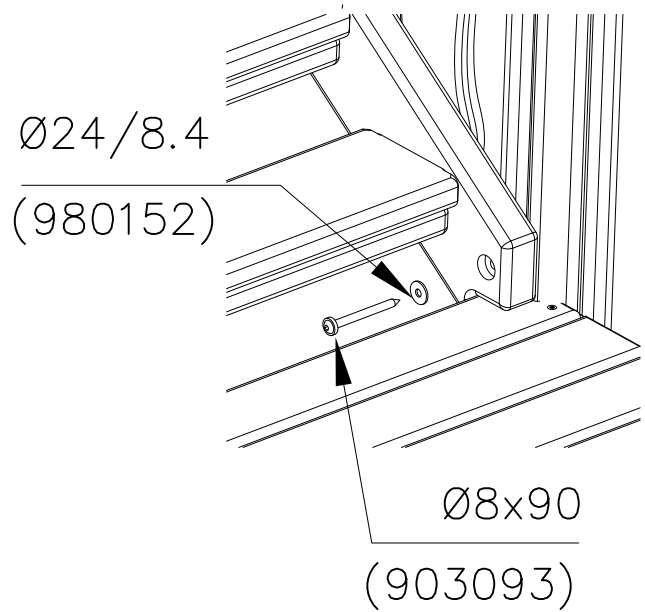
DET 2



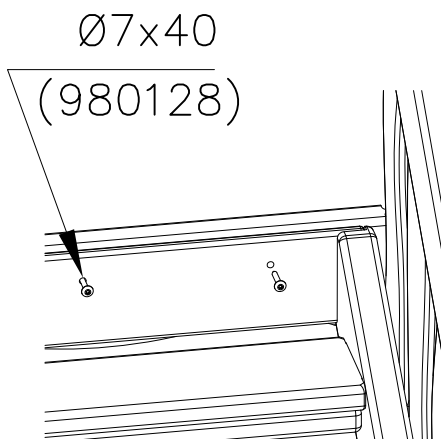
DET 3

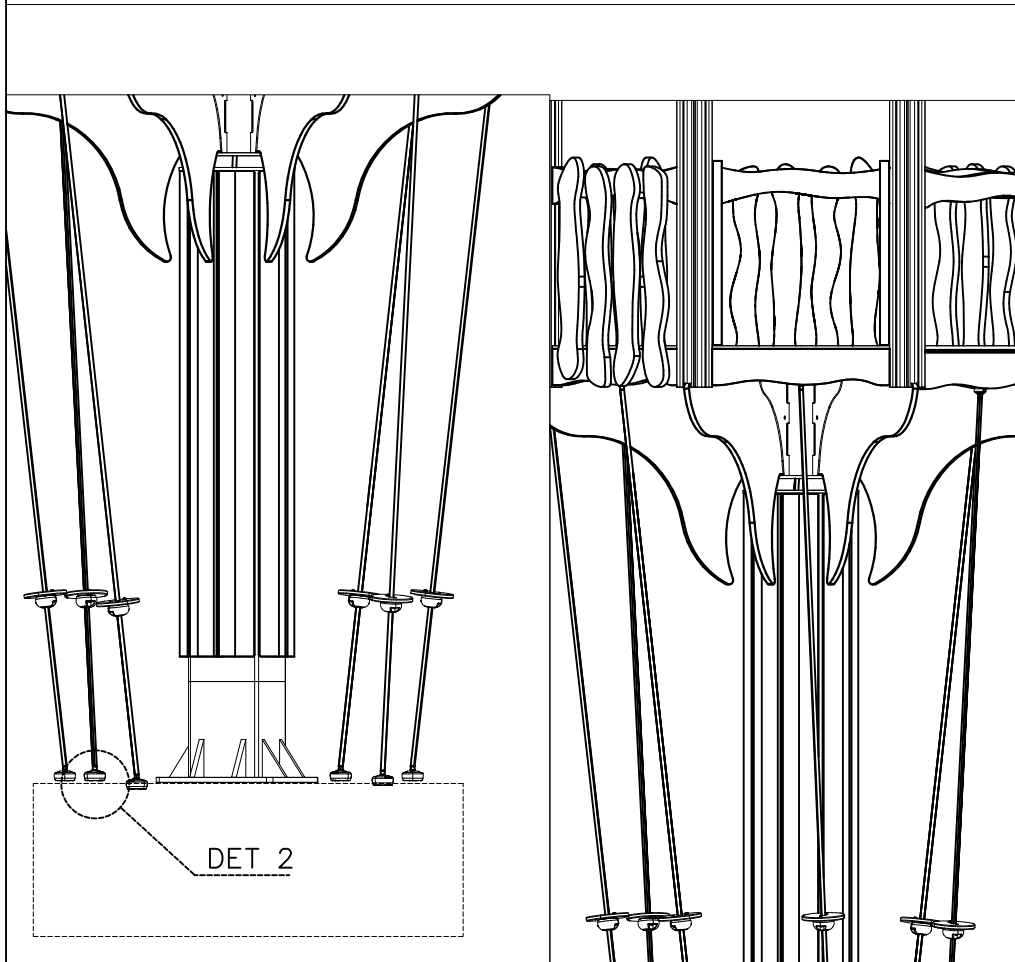
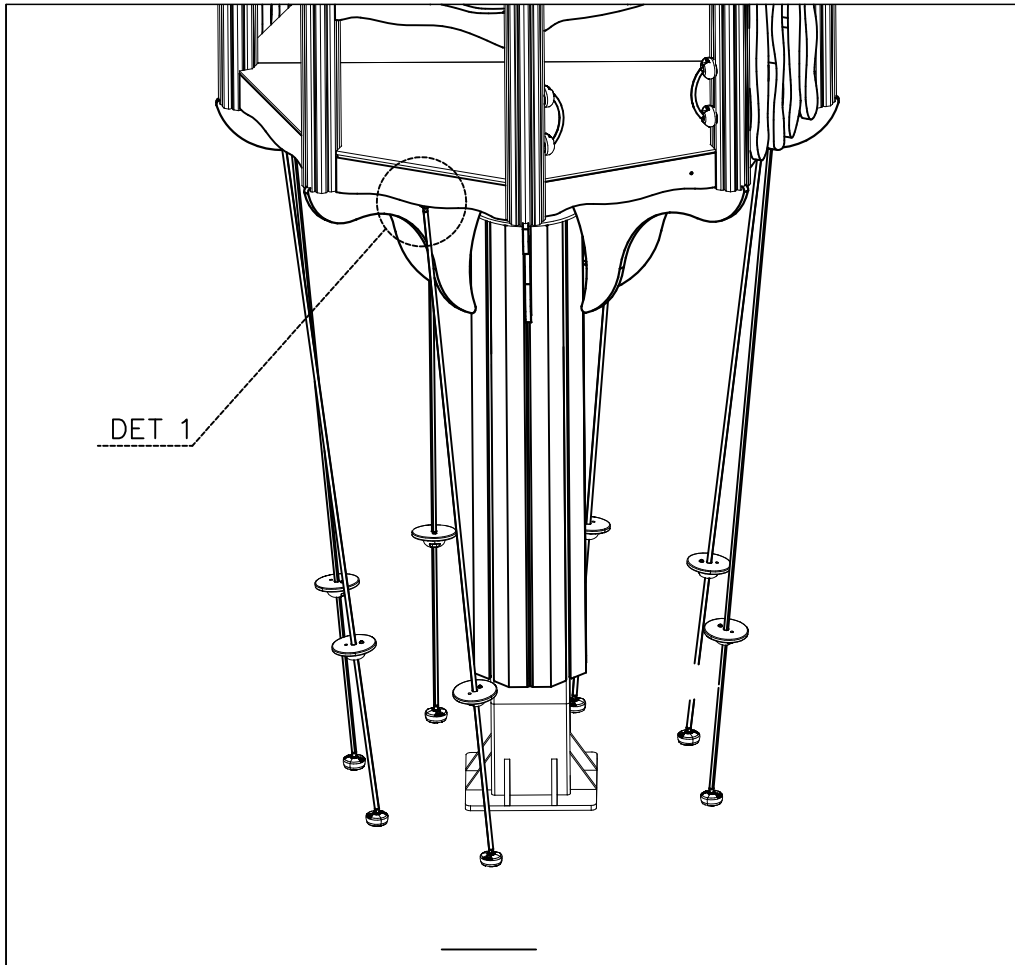







DET 4



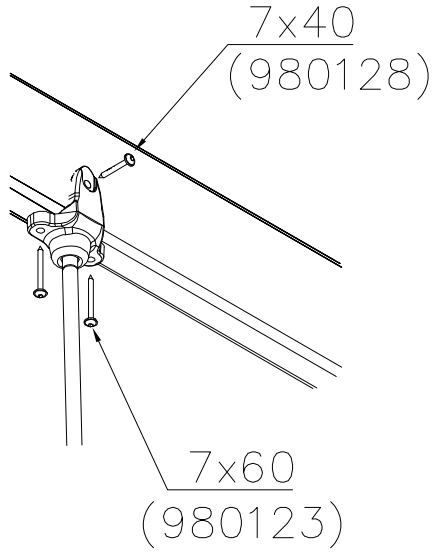
DET 5



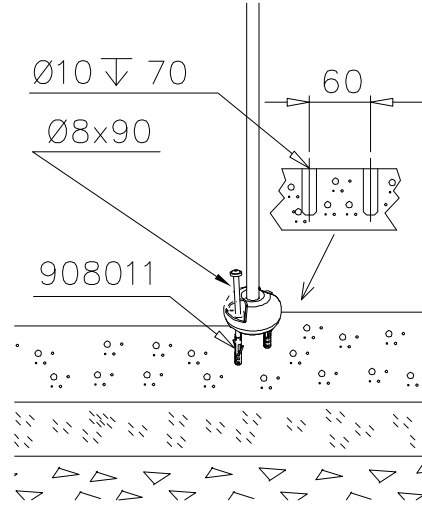


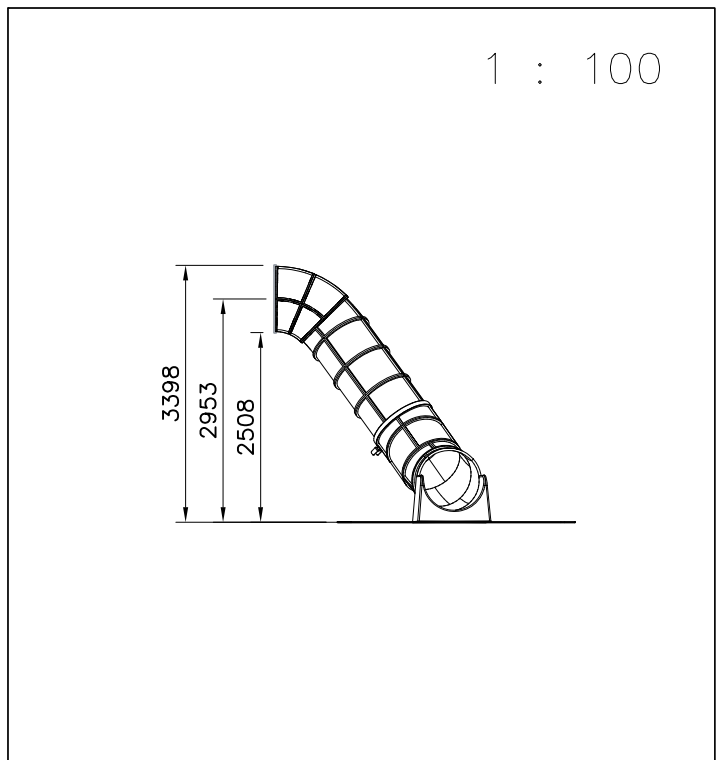
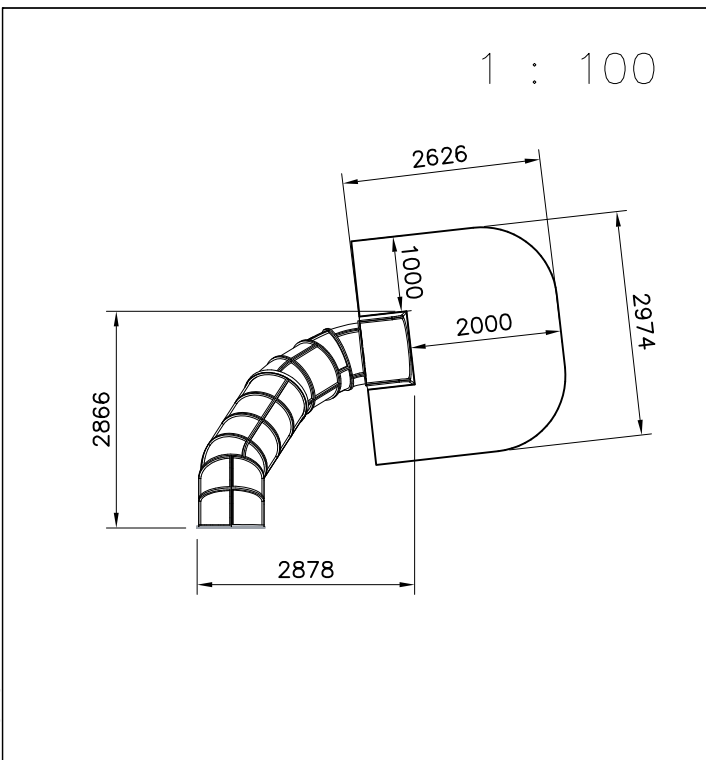
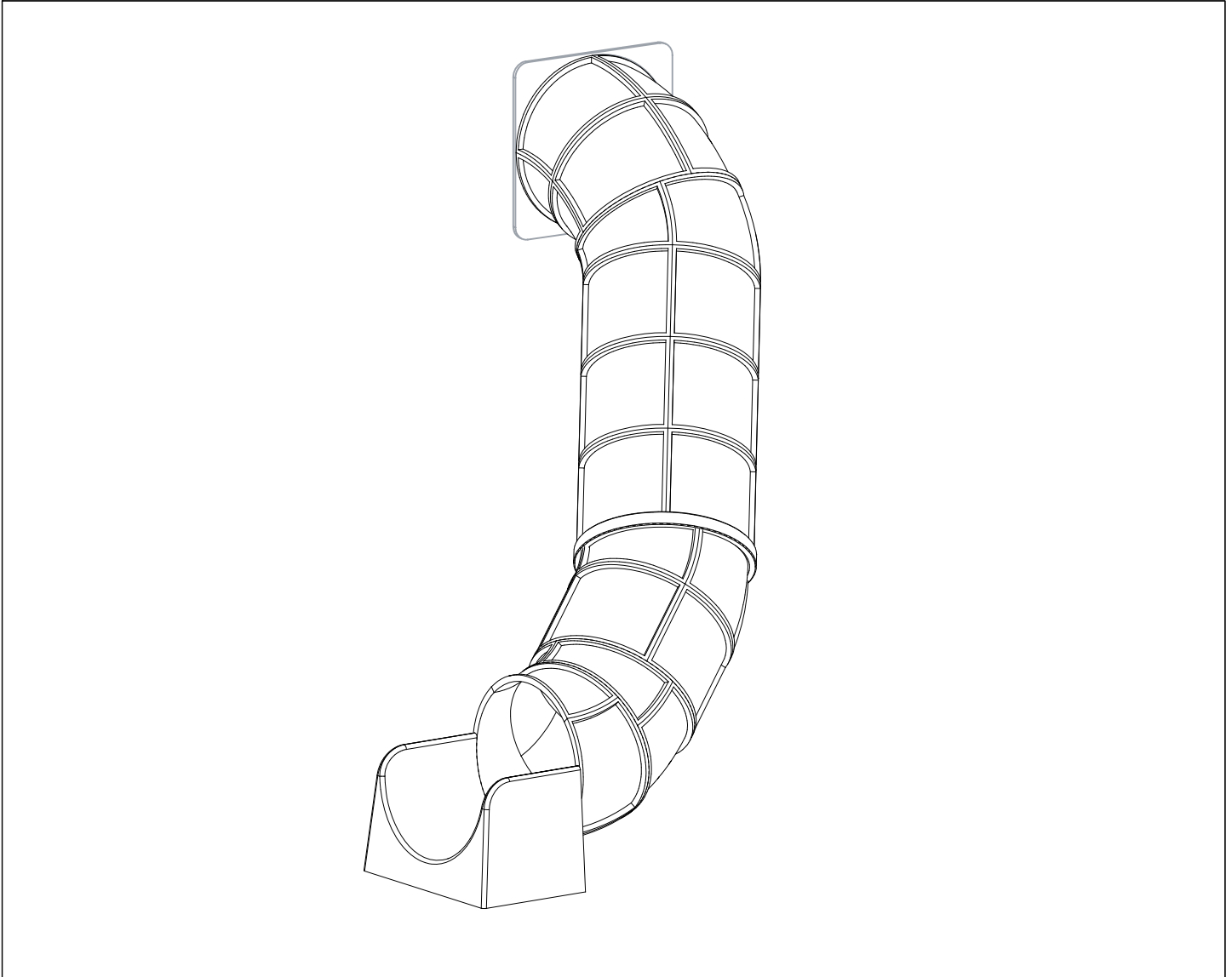
① P12428	PCS	② 980128	PCS
	1		1
L 2905		Ø7x40	
③ 980123	PCS	④ 903093	PCS
	2		2
Ø7x60		Ø8x90	
	PCS	⑤ 908011	PCS
			2
		Ø10	
	PCS		PCS
	PCS		PCS
	PCS		PCS
	PCS		PCS

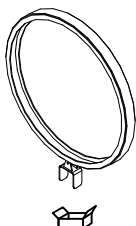
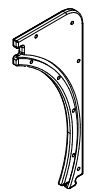
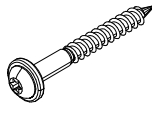
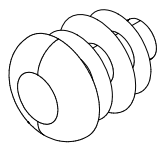

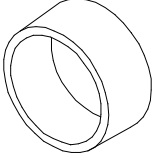
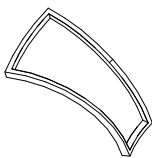
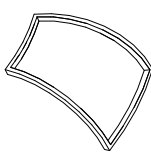
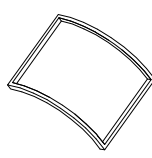
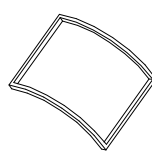

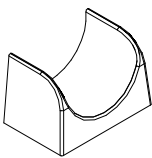

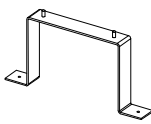
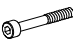


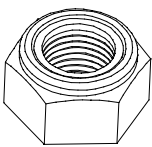
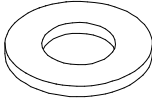
DET 1

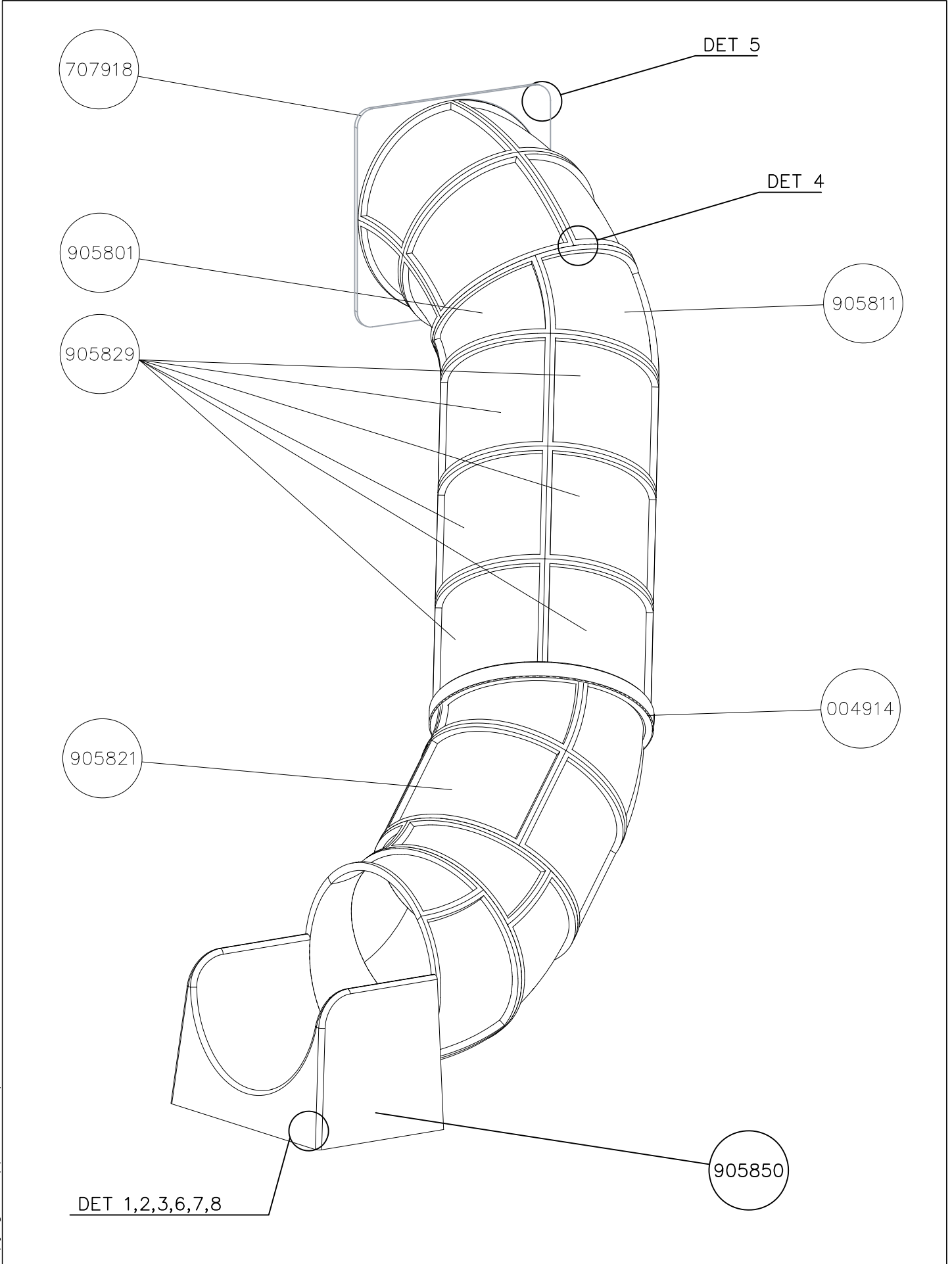


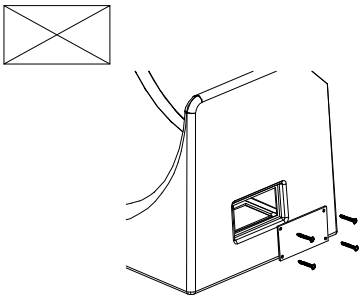
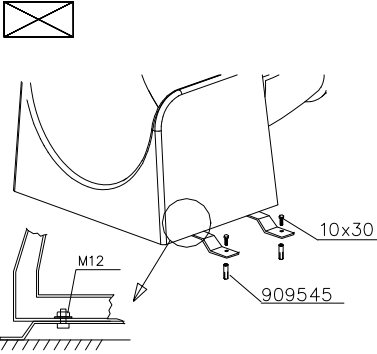
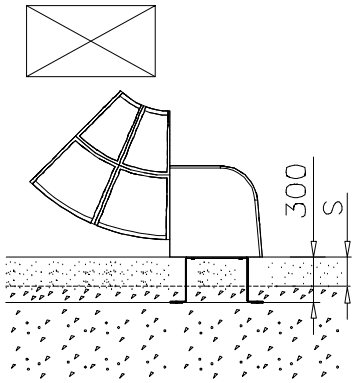
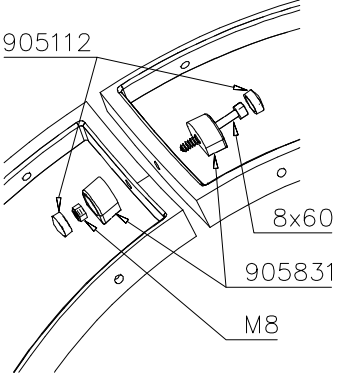
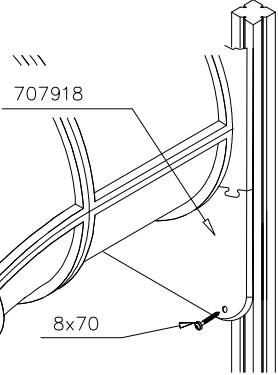
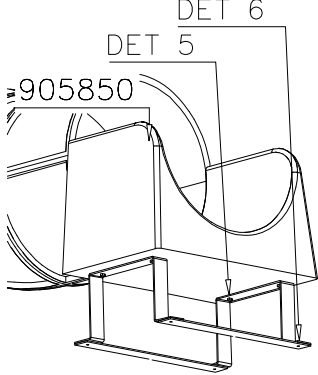
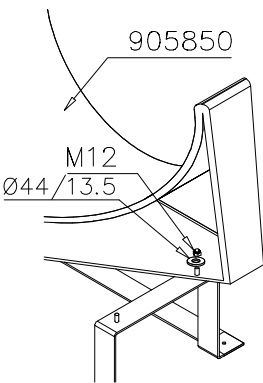
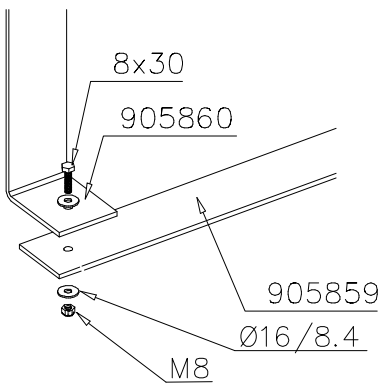
DET 2

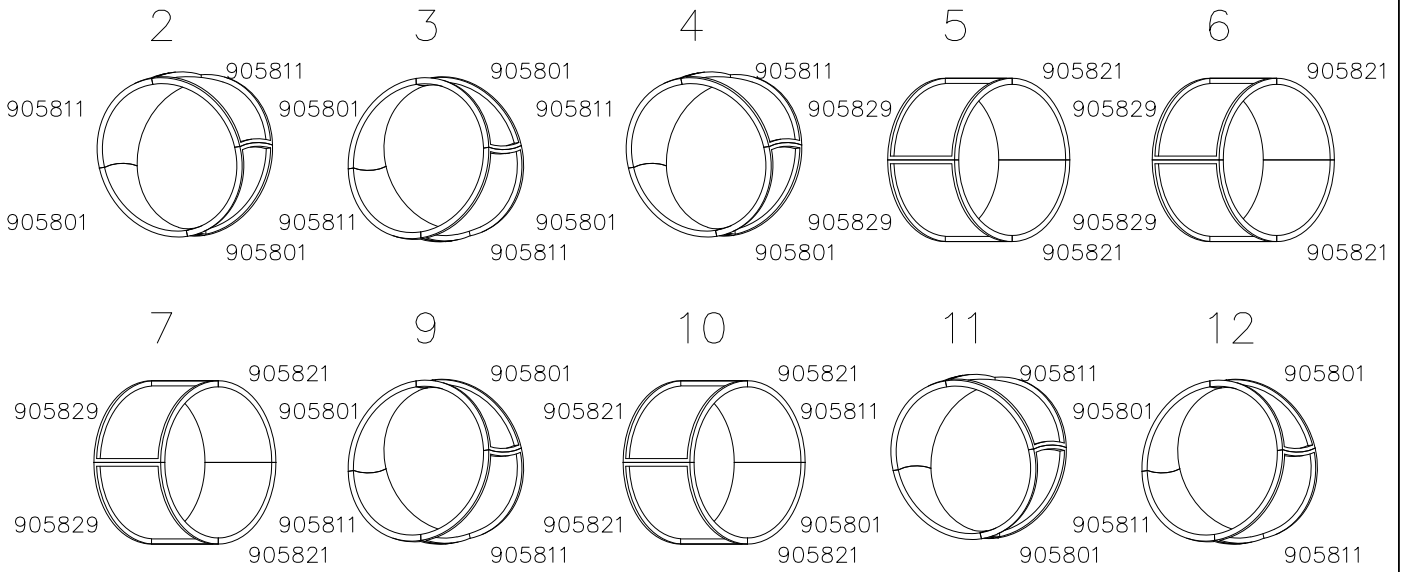


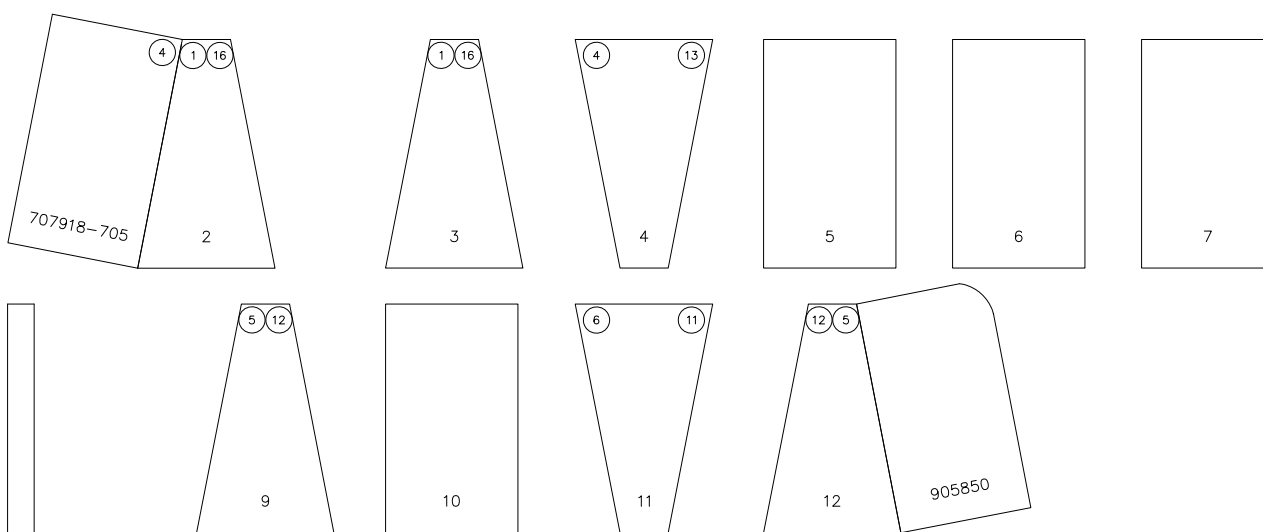
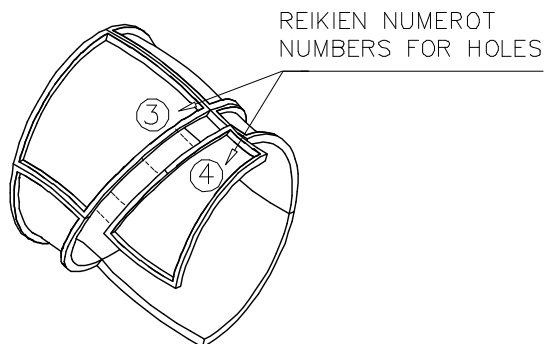


004914  PCS 1	707918-705  PCS 4	900240  PCS 14 Ø8x70	903533  PCS 6 SRL12	905086  PCS 4 Ø44/13.5	905112  PCS 512 BLACK Ø22
905801  PCS 8 GREY	905811  PCS 8 GREY	905821  PCS 10 GREY	905829  PCS 6 TRANSPARENT	905831  PCS 448 BLACK	905850  PCS 1
905859  PCS 2 6x80x850	905860  PCS 2	909205  PCS 224 8x60	909248  PCS 4 M12	909274  PCS 4 8x30	980150  PCS 228 M8
980151  PCS 8 Ø16/8.4					



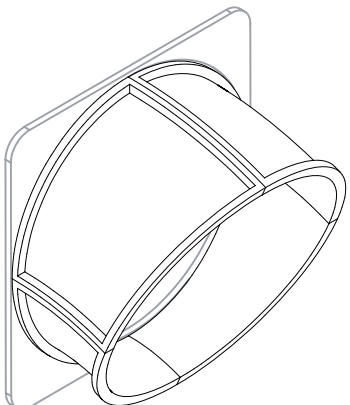
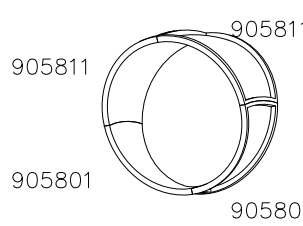
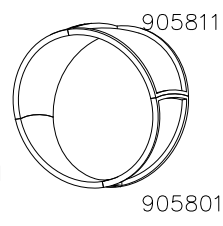



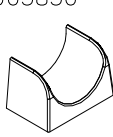





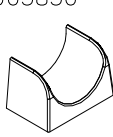

















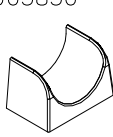







<p>DET 1</p>  <p>Access- and maintenance panel. Asennus- ja huolto luukku.</p>	<p>DET 2</p>  <p>10x30 909545</p>	<p>DET 3</p>  <p>300 S</p>
<p>DET 4</p>  <p>905112 8x60 905831 M8</p>	<p>DET 5</p>  <p>707918 8x70</p>	<p>DET 6</p>  <p>DET 6 DET 5 905850</p>
<p>DET 7</p>  <p>905850 M12 Ø44/13.5</p>	<p>DET 8</p>  <p>8x30 905860 905859 Ø16/8.4 M8</p>	



Esimerkki putken kokoamisesta
Example of installation**LIUKUPINTAAN EI SAA TULLA**
LÄPINÄKYVIÄ MODUULEJA!!**NO TRANSPARENT PIECES ON**
SLIDING SURFACE!!

Valmiiksi kasattujen osien osakokoonpanot ja vara-osa listat.

Ready installed component subassemblies and spare part list.

	<p style="text-align: center;">2</p> 												
<p style="text-align: center;">12</p>  <table border="1" data-bbox="159 1724 734 2105"> <tr> <td>909205 x 16 909206 x 8 </td> <td>980150 x 16 </td> <td>905831 x 32 </td> </tr> <tr> <td>905850 </td> <td>909208 x 8 </td> <td>980151 x 8 </td> </tr> </table> <p>Position of the box: 131 degrees</p>	909205 x 16 909206 x 8 	980150 x 16 	905831 x 32 	905850 	909208 x 8 	980151 x 8 	<table border="1" data-bbox="893 929 1468 1310"> <tr> <td>707918-705 </td> <td>909205 x 8 </td> <td>980150 x 8 </td> </tr> <tr> <td>905831 x 32 </td> <td>909208 x 16 </td> <td>909119 x 16 </td> </tr> </table>	707918-705 	909205 x 8 	980150 x 8 	905831 x 32 	909208 x 16 	909119 x 16 
909205 x 16 909206 x 8 	980150 x 16 	905831 x 32 											
905850 	909208 x 8 	980151 x 8 											
707918-705 	909205 x 8 	980150 x 8 											
905831 x 32 	909208 x 16 	909119 x 16 