
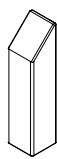
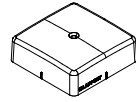
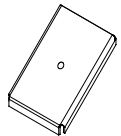
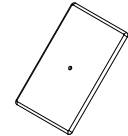

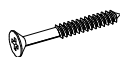
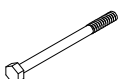


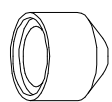
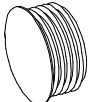

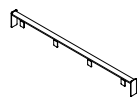
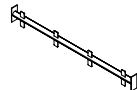

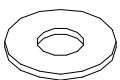
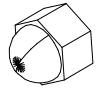
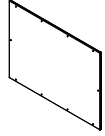




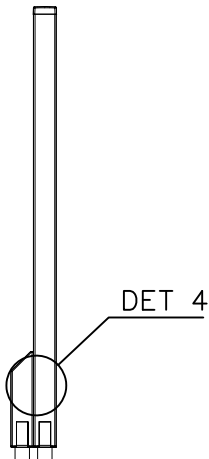


①	705402	PCS	②	705405	PCS
		2			2
	120x120x2290			120x120x500	
③	905830	PCS	④	906583	PCS
		2			1
	123x123x40			126x181x14x3	
⑤	705406	PCS	⑥	980104	PCS
		1			2
	126x181x18			Ø5x90	
⑦	980100	PCS	⑧	909246	PCS
		2			2
	Ø5x60			M12x140	
⑨	980154	PCS	⑩	980123	PCS
		2			48
	Ø24/13			Ø7x60	
⑪	905104	PCS	⑫	905103	PCS
		16			2
	M10			PT-28/32-H	

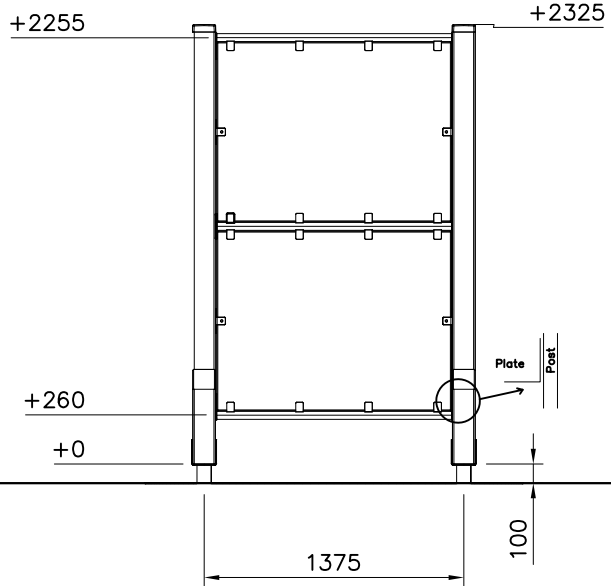
⑬	905761	PCS	⑭	906009	PCS	⑮	906021	PCS	⑯	909852	PCS	⑰	980152	PCS
		4			2			1			20			20
	120x120x700			Ø42,4x1252			Ø42,4x1252			M8x30			Ø24/8.4x2	

⑱	909633	PCS	⑲	705063	PCS	⑳	906117	PCS	㉑	980114	PCS	㉒	704881	PCS	㉓	909256	PCS
		20			2			4			4			1			48
	M8			19x951x1240			130x44x52			Ø4x20			118x78			Ø16/8.4	

1: 40

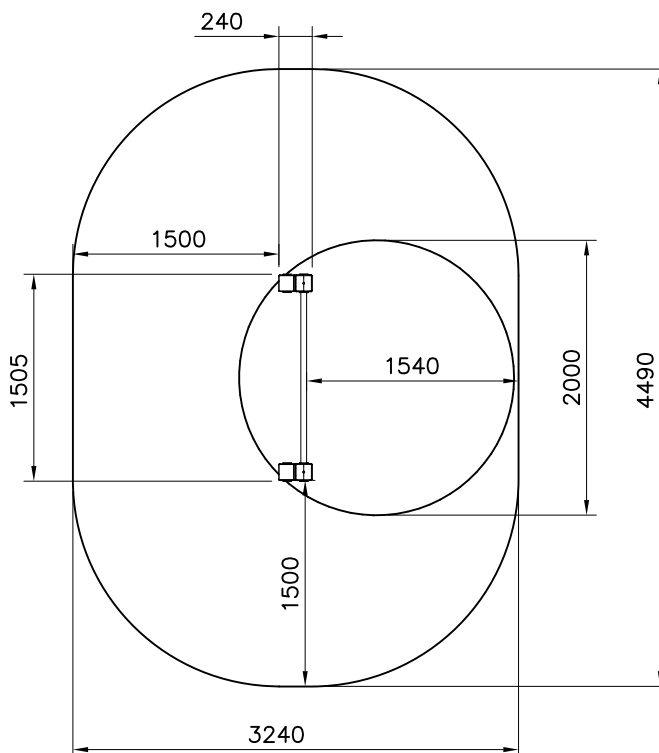


1: 40



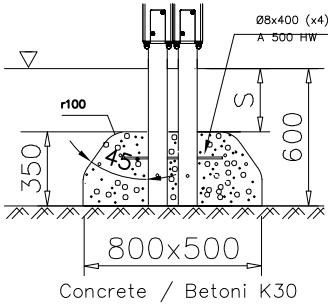
Area of Movement 12.6 m²
Training Space 3.1 m²
Max Falling Height 0 mm

1: 55

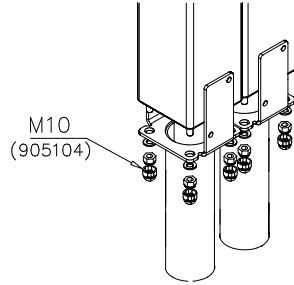




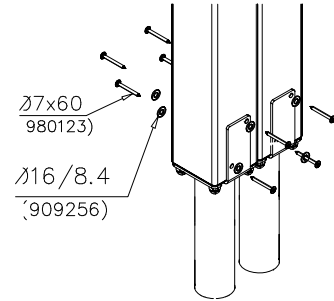
DET 1



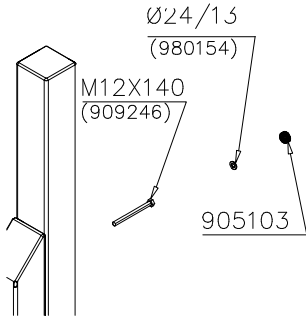
DET 2



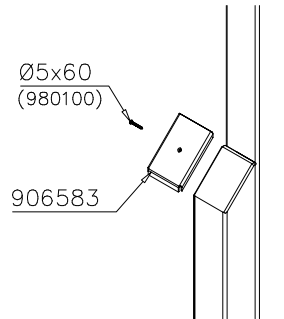
DET 3



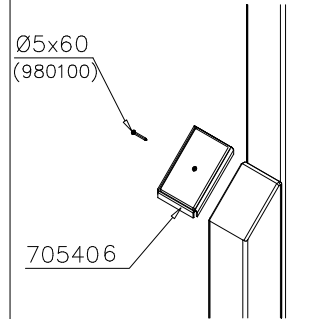
DET 4



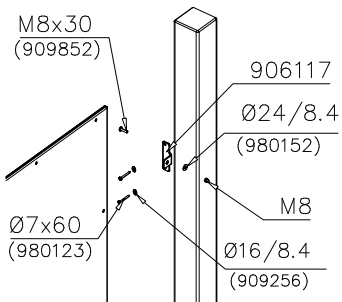
DET 5



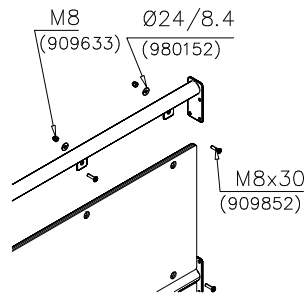
DET 6



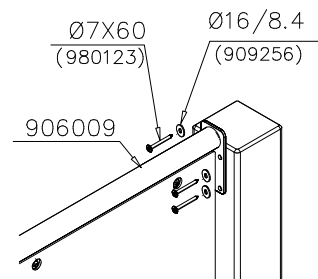
DET 7



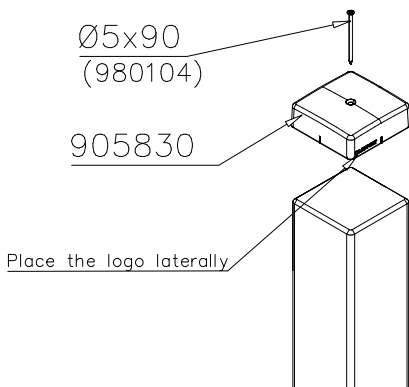
DET 8



DET 9



DET 10



LAPPSET®
BETON FOUNDATION

FOOT

DATE: 27.10.2015

1(1)

② 905104	PCS		PCS
	4		
 M10	PCS		PCS



905104