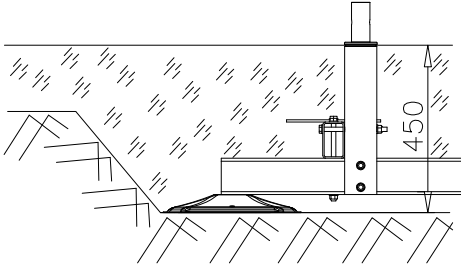
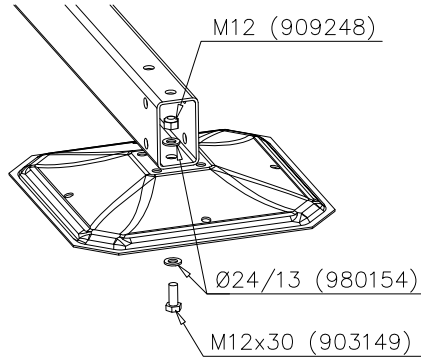


| | | | |
|---------------|-----|------------|-----|
| ① 900844 | PCS | ② 903149 | PCS |
| | 2 | | 4 |
| Ø260x5 | | M12x30 | |
| ③ 904918 | PCS | ④ 904919 | PCS |
| | 4 | | 2 |
| 1535x100x60x4 | | Ø88.9x530 | |
| ⑤ 908086 | PCS | ⑥ 909136 | PCS |
| | 2 | | 10 |
| Ø88.9x610 | | M12x180 | |
| ⑦ 909139 | PCS | ⑧ 909144 | PCS |
| | 2 | | 2 |
| M12x130 | | M12x220 | |
| ⑨ 909248 | PCS | ⑩ 909519 | PCS |
| | 18 | | 4 |
| M12 | | 50x380x380 | |
| ⑪ 980154 | PCS | | PCS |
| | 36 | | |
| Ø24/13 | | | |
| | PCS | | PCS |
| | | | |
| | PCS | | PCS |
| | | | |

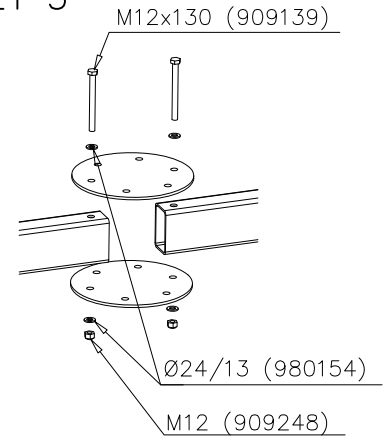
DET 1



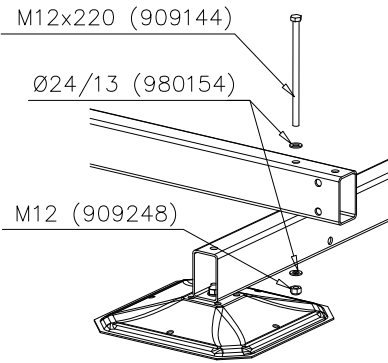
DET 2



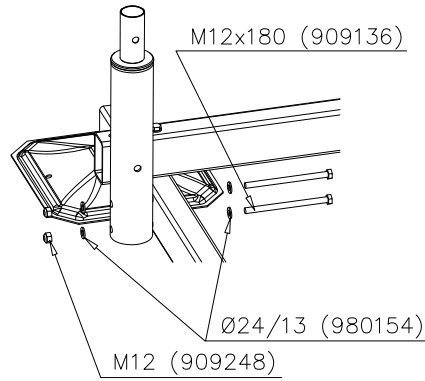
DET 3



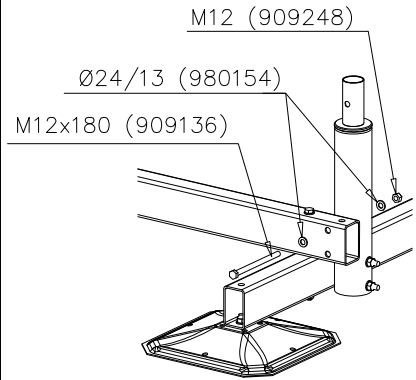
DET 4



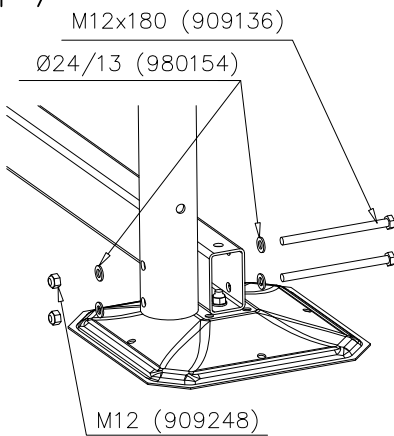
DET 5

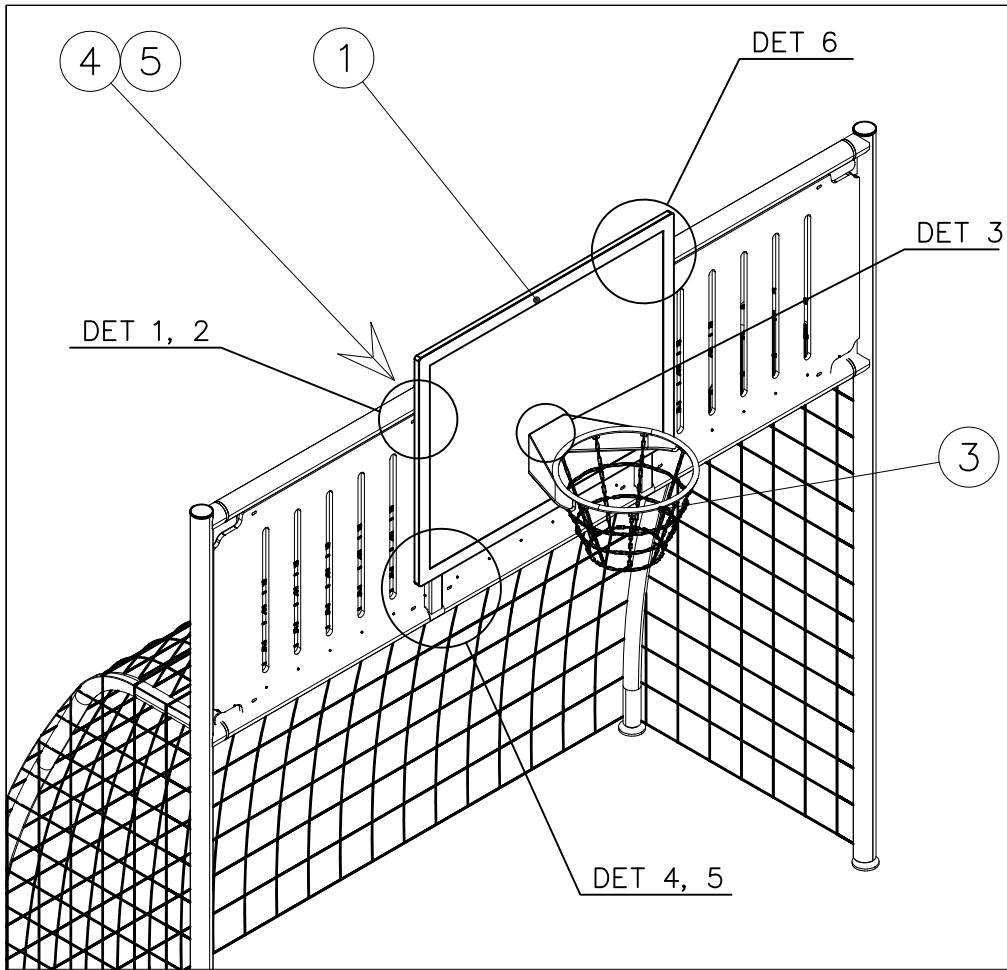


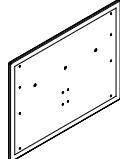
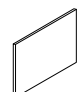
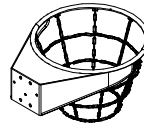
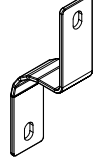
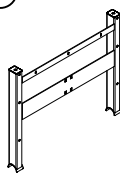
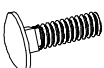



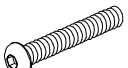

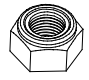
DET 6

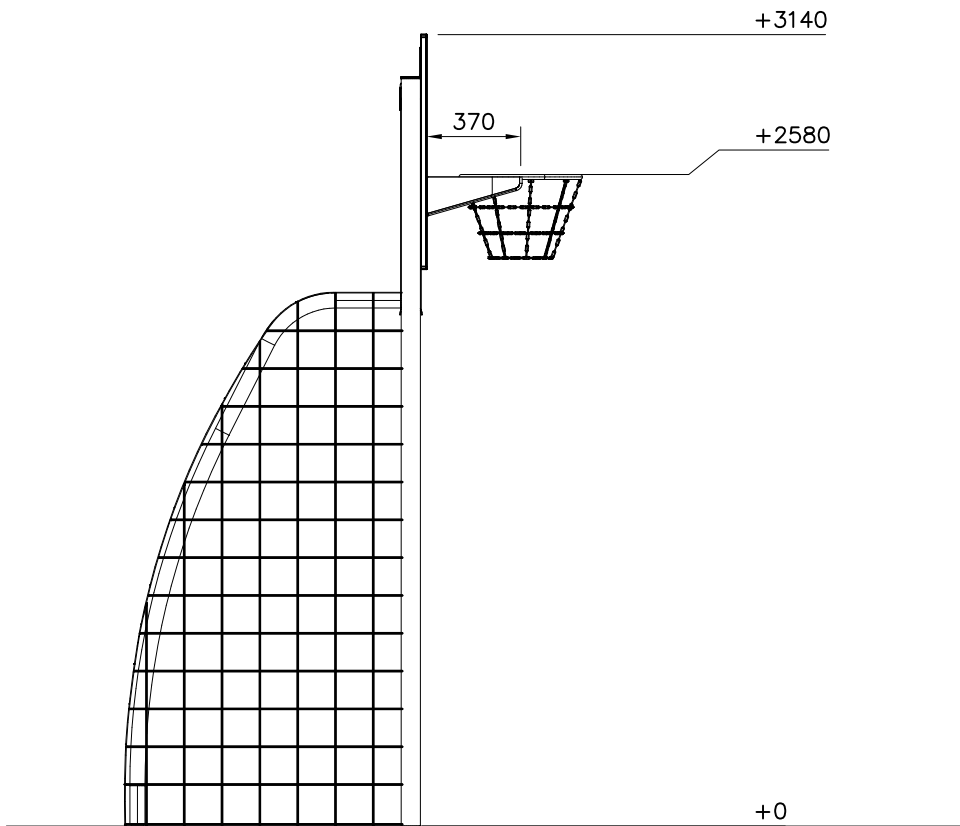


DET 7

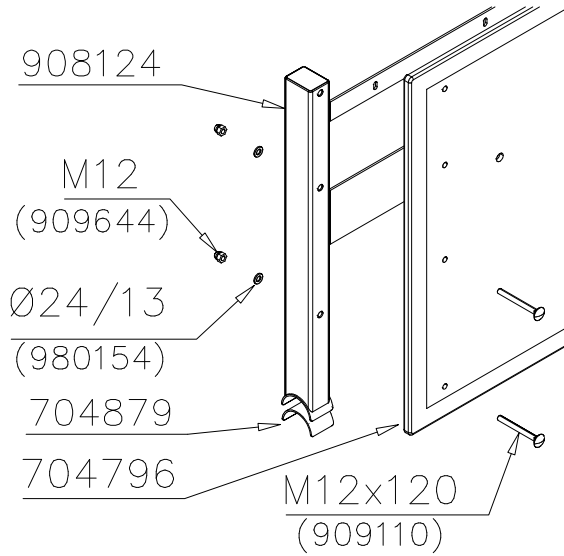




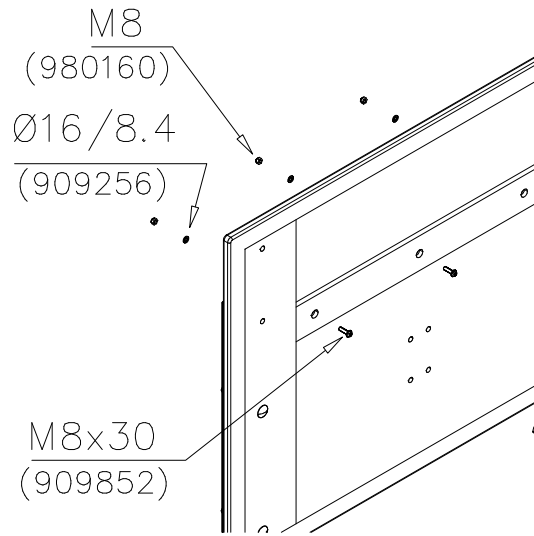
| | | | |
|--|-----------|--|----------|
| ① 704796  1200x930x21 | PCS 1 | ② 704879  3x30x120mm | PCS 4 |
| ③ 902830  | PCS 1 | ④ 908093  5x48x303 | PCS 2 |
| ⑤ 908124  89x859x1056 | PCS 1 | ⑥ 909109  M12x40 | PCS 6 |
| ⑦ 909110  M12x120 | PCS 6 | ⑧ 909256  Ø16/8.4x1.6 | PCS 6 |
| ⑨ 909644  M12 | PCS 12 | ⑩ 909852  M8x30 | PCS 3 |
| ⑪ 980154  Ø24/13 | PCS 12 | ⑫ 980160  M8 | PCS 3 |
| | PCS | | PCS |
| | PCS | | PCS |



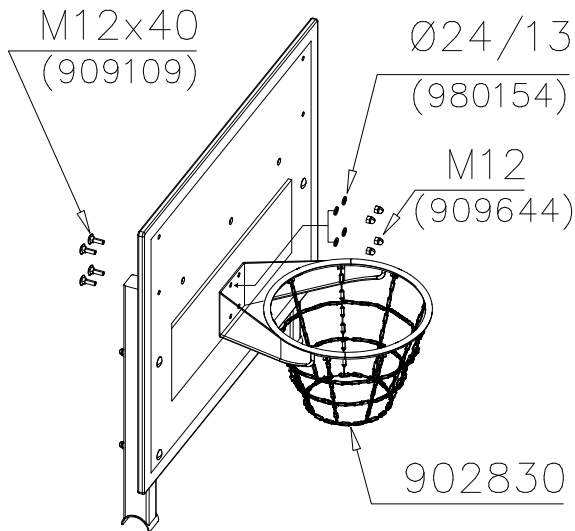
DET 1



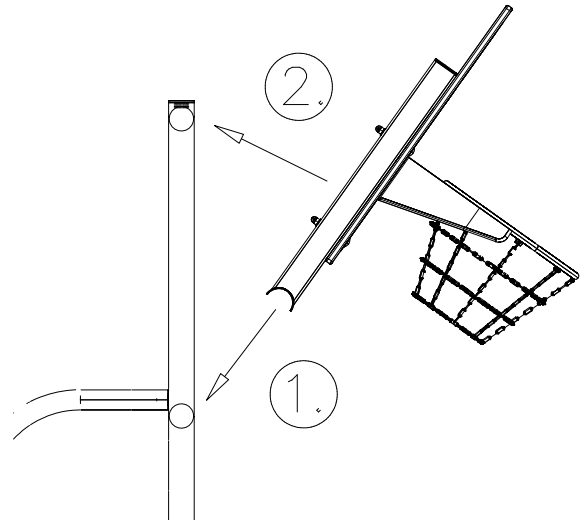
DET 2



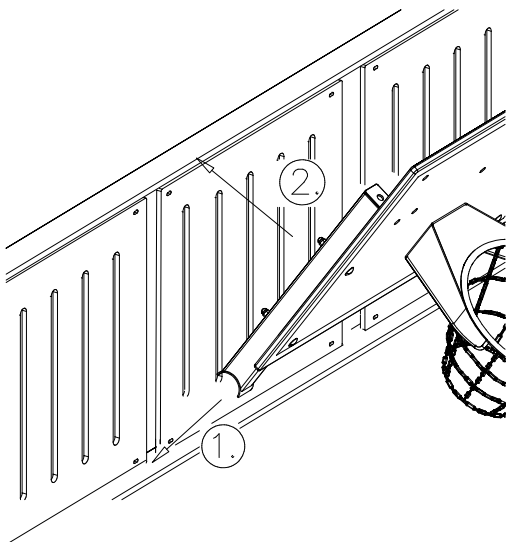
DET 3



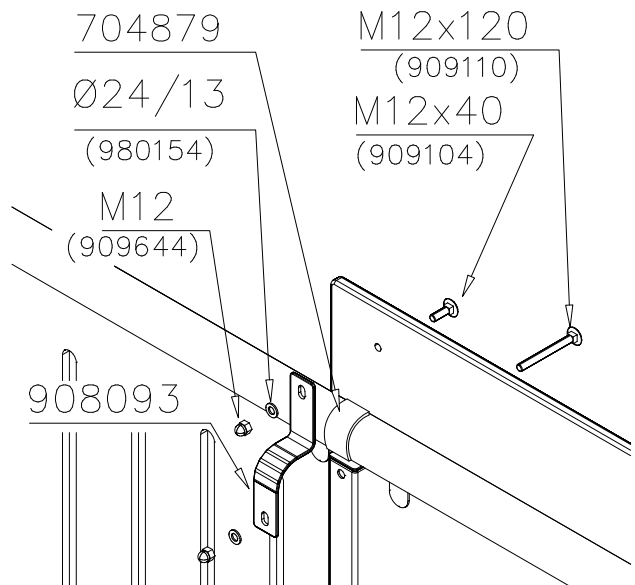
DET 4

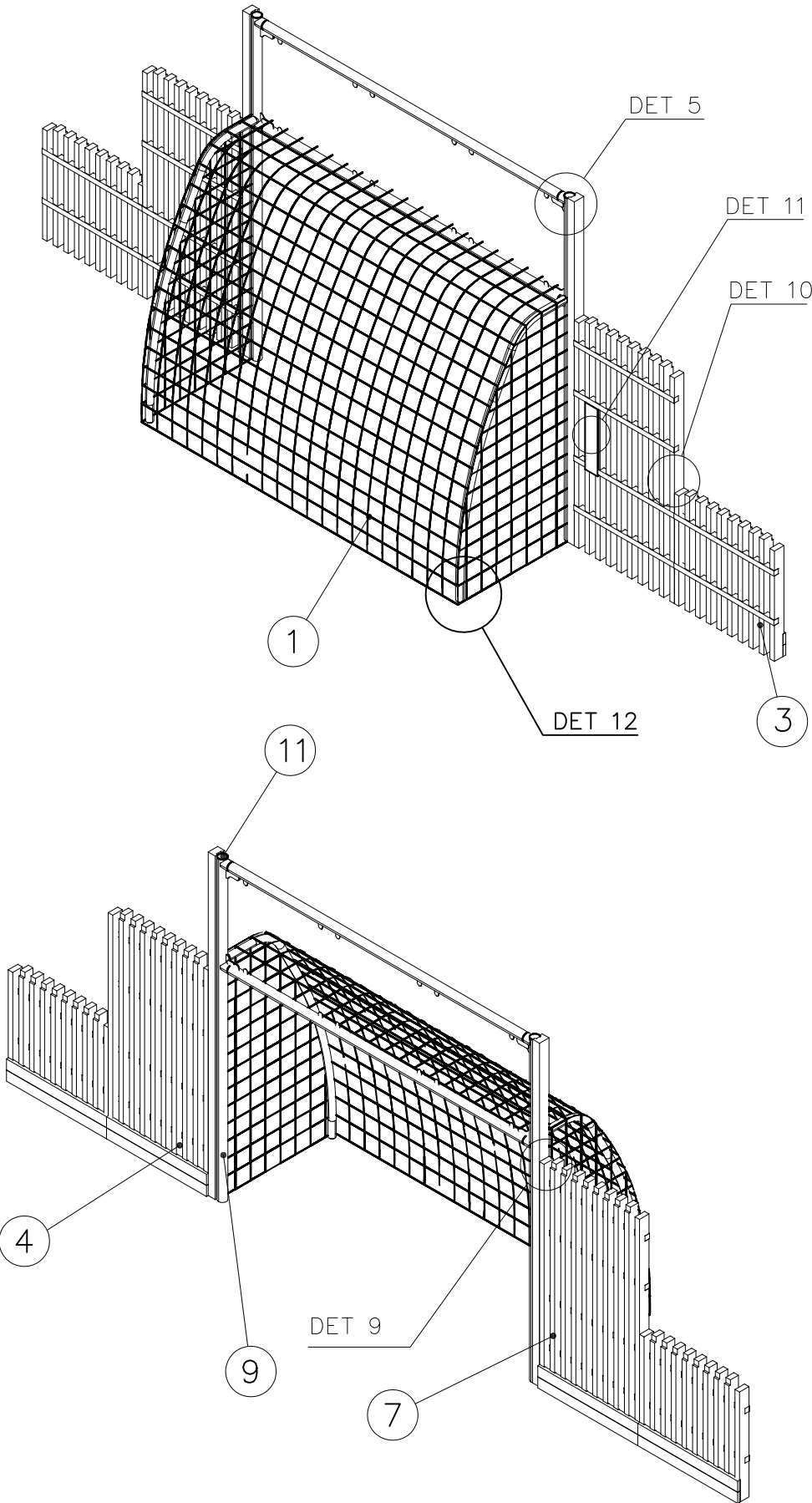


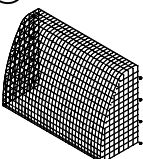

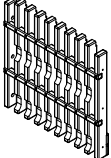
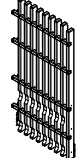
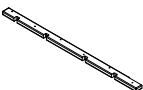

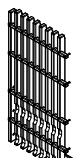





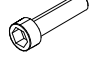
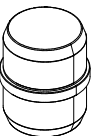
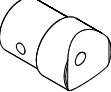
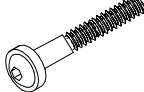
DET 5

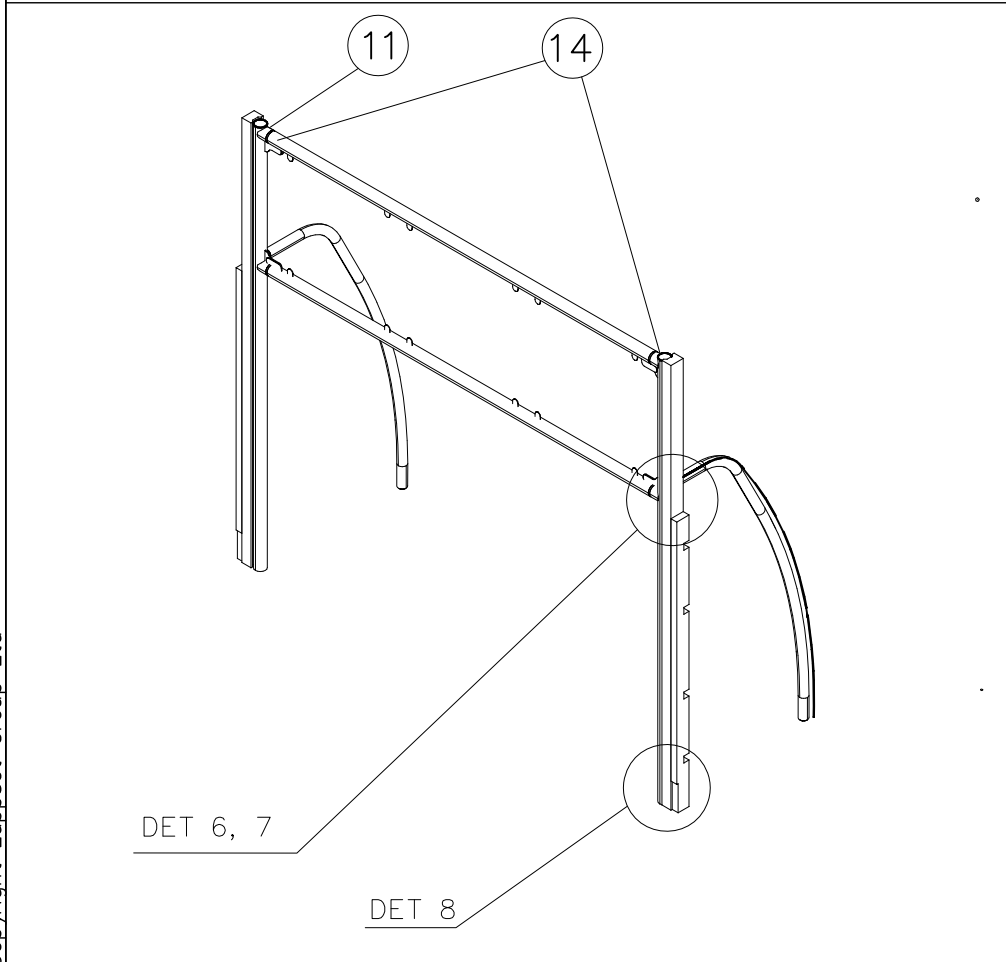
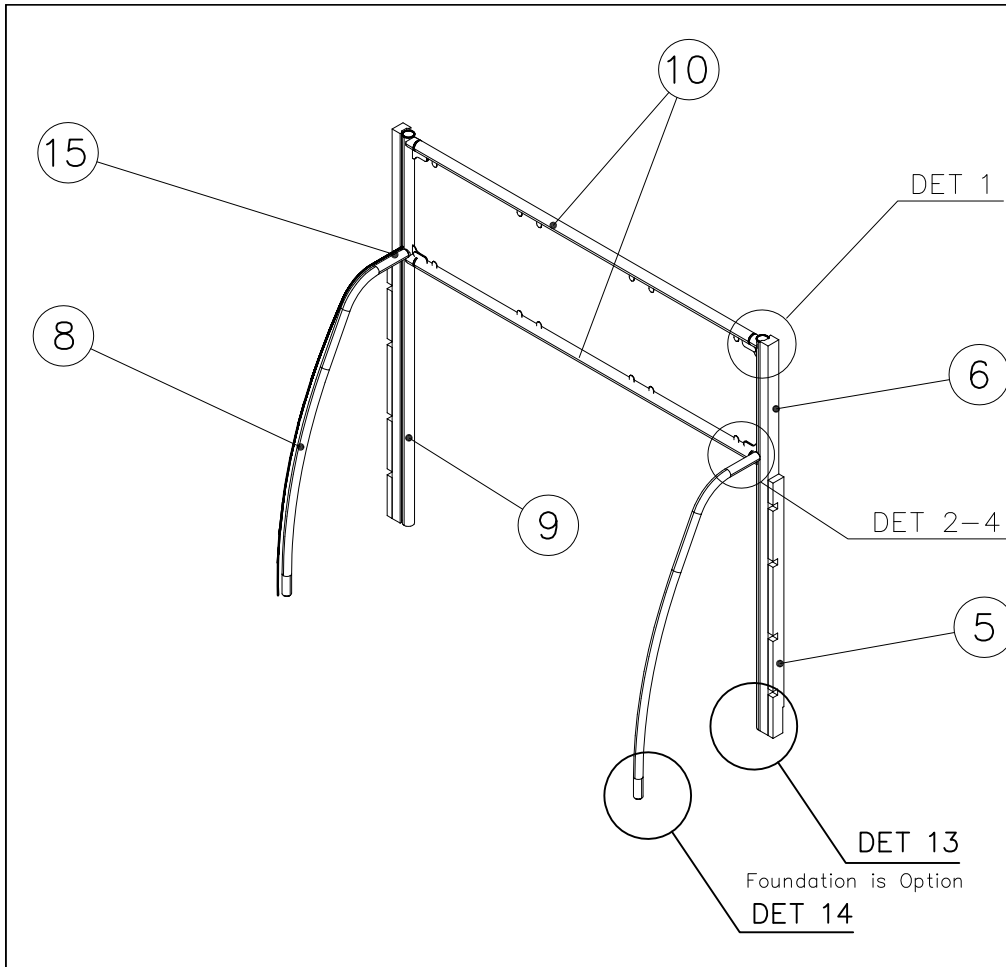


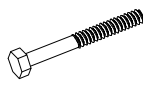
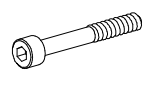
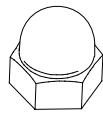
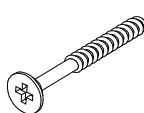
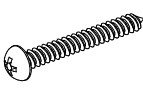



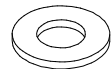
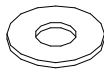
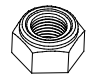

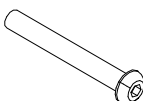
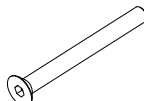
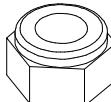
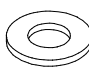
DET 6

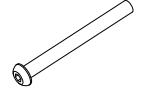
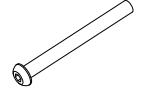
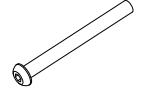


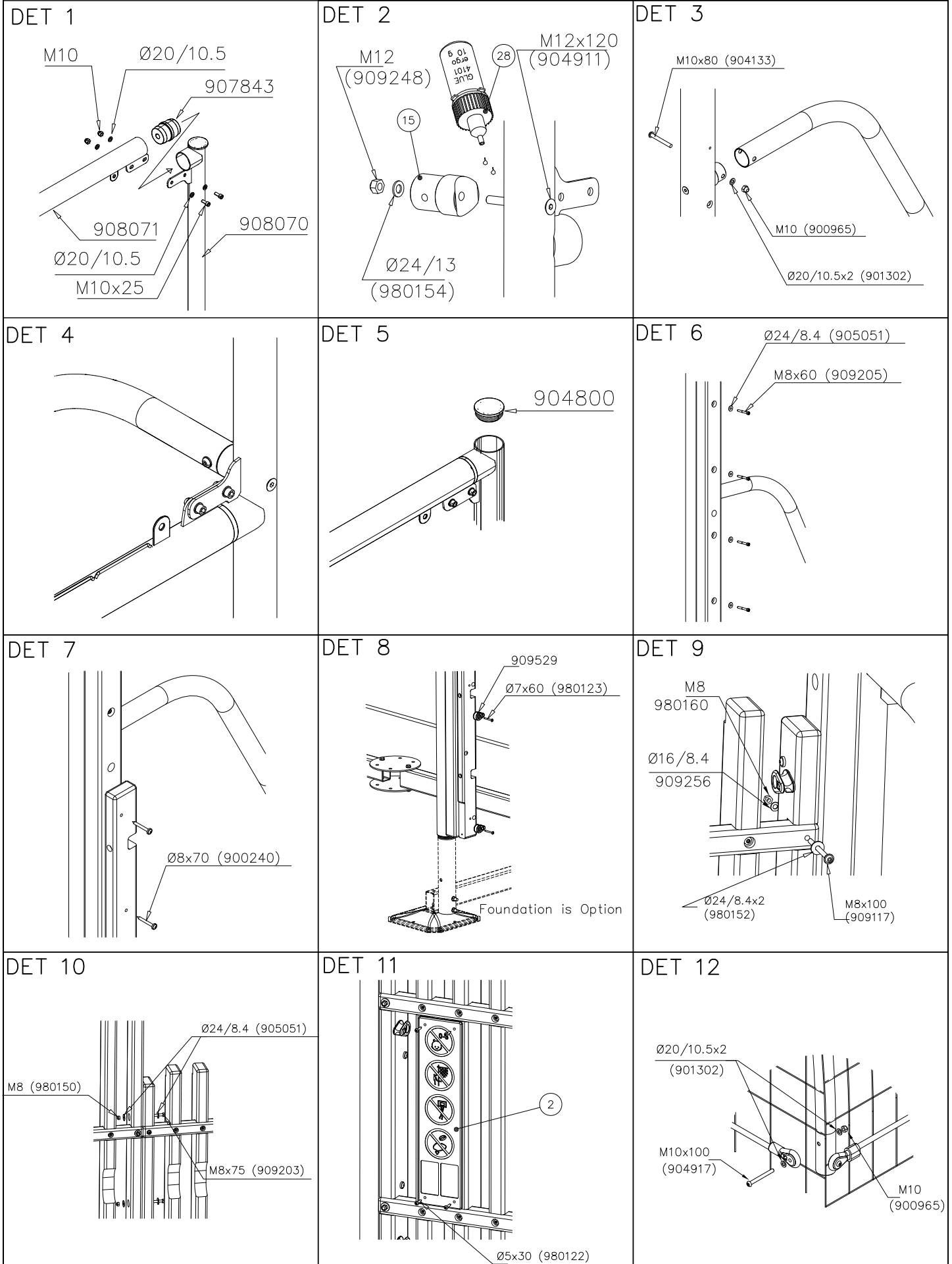


| | | | |
|--|----------|---|-----------|
| ① 704563 150x3160x2100  | PCS 1 | ② 702269 10x125x520  | PCS 1 |
| ③ 704233 1000x1000  | PCS 2 | ④ 704241 1000x1995  | PCS 1 |
| ⑤ 704242 45x95x1950  | PCS 2 | ⑥ 704245 70x95x2975  | PCS 2 |
| ⑦ 704246 1000x1995  | PCS 1 | ⑧ 904899 Ø60x2.5  | PCS 2 |
| ⑨ 908070 Ø76.1x2965  | PCS 2 | ⑩ 908071 Ø76.1x2945  | PCS 2 |
| ⑪ 904800 GL75x1-3,5  | PCS 2 | ⑫ 905051 Ø24/8.4  | PCS 32 |
| ⑬ 906829 M10x25  | PCS 8 | ⑭ 907843 Ø76x90  | PCS 4 |
| ⑮ 908069 Ø60x87,6  | PCS 2 | ⑯ 909117 M8x100  | PCS 8 |

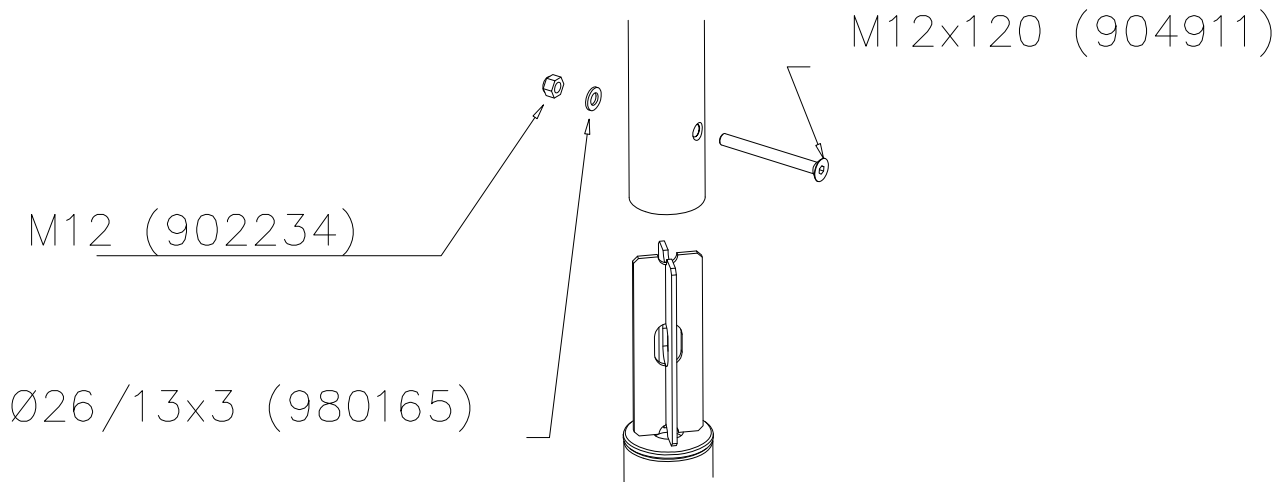


| | | | |
|---|-----|---|-----|
| (17) 909203 | PCS | (18) 909205 | PCS |
|  | 6 |  | 20 |
| M8x75 | | M8x60 | |
| (19) 900965 | PCS | (20) 980107 | PCS |
|  | 12 |  | 8 |
| M10 | | Ø6x60 | |
| (21) 980122 | PCS | (22) 900240 | PCS |
|  | 4 |  | 12 |
| Ø5x30 | | Ø8x70 | |
| (23) 980154 | PCS | (24) 980150 | PCS |
|  | 4 |  | 6 |
| Ø24/13 | | M8 | 24 |
| (25) 901302 | PCS | (26) 980152 | PCS |
|  | 24 |  | 8 |
| Ø20/10.5x2 | | Ø24/8.4x2 | |
| (27) 980160 | PCS | (28) 999561 | PCS |
|  | 8 |  | 1 |
| M8 | | 10g | |
| (29) 904133 | PCS | (30) 904911 | PCS |
|  | 2 |  | 4 |
| M10x80 | | M12x120 | |
| (31) 909248 | PCS | (32) 909256 | PCS |
|  | 4 |  | 8 |
| M12 | | Ø16/8.4x1.6 | |

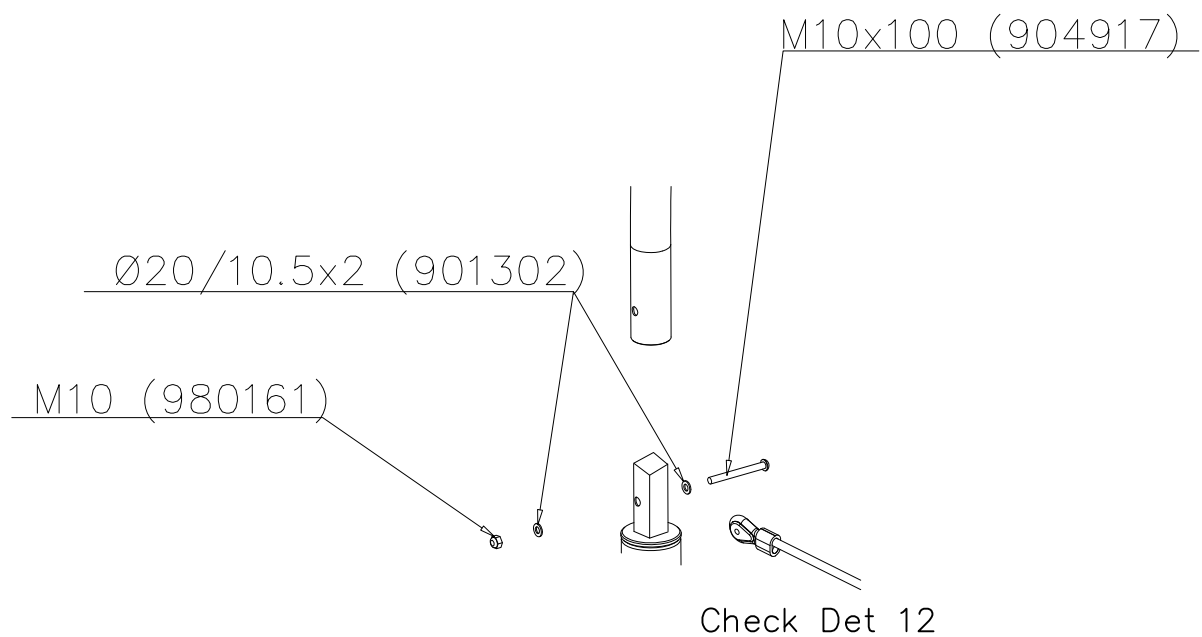
| | | | | | | | | | | | | | | | | | | | |
|--|---|-----|-------------|-----|--|---|---|--|---------|--|-----|--|-----|-----|--|-----|-----|--|-----|
| <p>(A)</p> <p>+3010</p> <p>+2130</p> <p>+0</p> <p>1200</p> | <table border="1"> <tr> <td>PCS</td> <td>(33) 904917</td> <td>PCS</td> </tr> <tr> <td></td> <td></td> <td>2</td> </tr> <tr> <td></td> <td>M10x100</td> <td></td> </tr> <tr> <td>PCS</td> <td></td> <td>PCS</td> </tr> <tr> <td>PCS</td> <td></td> <td>PCS</td> </tr> <tr> <td>PCS</td> <td></td> <td>PCS</td> </tr> </table> | PCS | (33) 904917 | PCS | |  | 2 | | M10x100 | | PCS | | PCS | PCS | | PCS | PCS | | PCS |
| PCS | (33) 904917 | PCS | | | | | | | | | | | | | | | | | |
| |  | 2 | | | | | | | | | | | | | | | | | |
| | M10x100 | | | | | | | | | | | | | | | | | | |
| PCS | | PCS | | | | | | | | | | | | | | | | | |
| PCS | | PCS | | | | | | | | | | | | | | | | | |
| PCS | | PCS | | | | | | | | | | | | | | | | | |
| <p>(B)</p> <p>7310</p> | <table border="1"> <tr> <td>PCS</td> <td></td> <td>PCS</td> </tr> <tr> <td></td> <td></td> <td></td> </tr> <tr> <td></td> <td></td> <td></td> </tr> </table> | PCS | | PCS | | | | | | | | | | | | | | | |
| PCS | | PCS | | | | | | | | | | | | | | | | | |
| | | | | | | | | | | | | | | | | | | | |
| | | | | | | | | | | | | | | | | | | | |

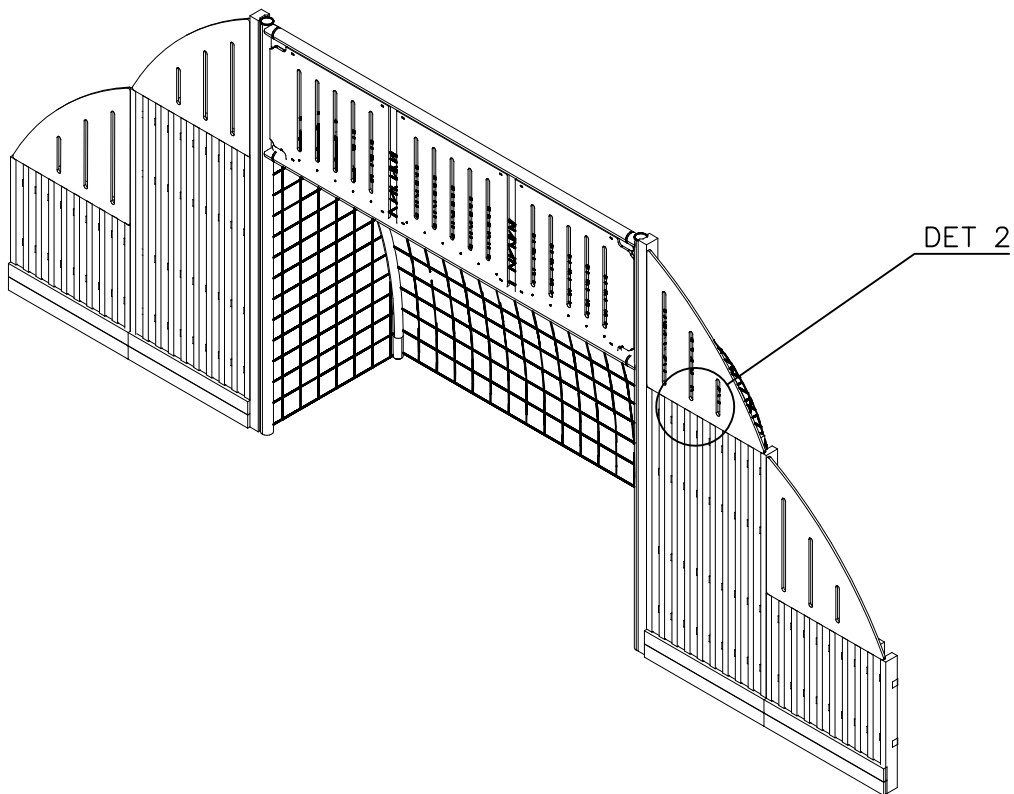
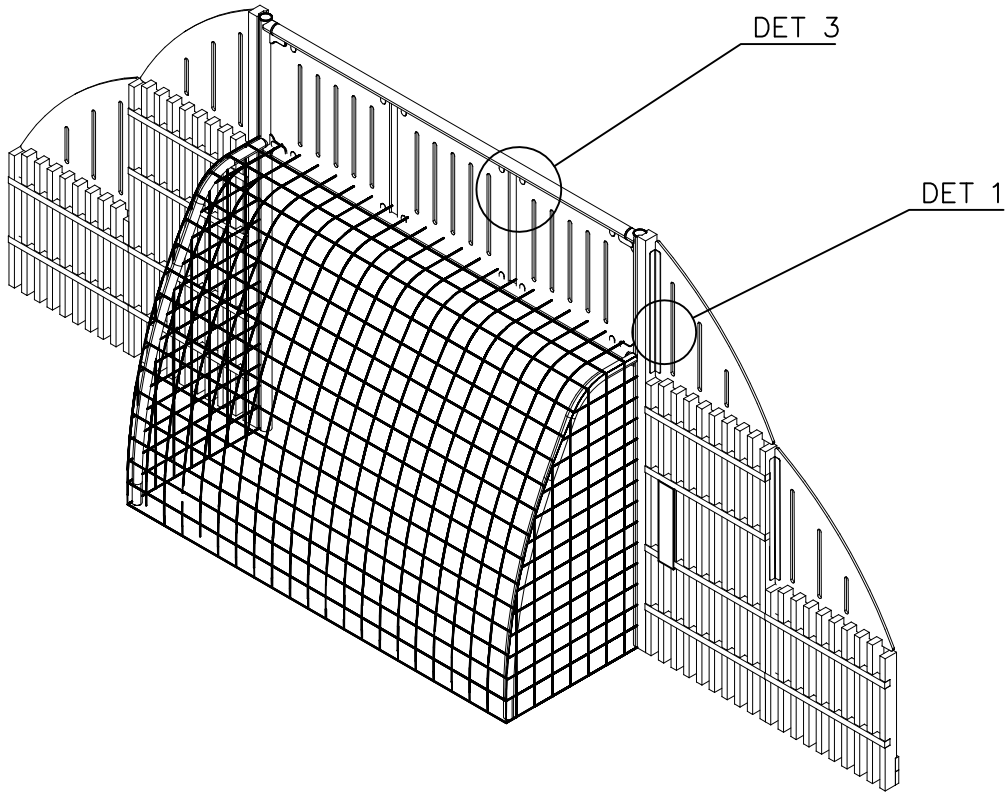


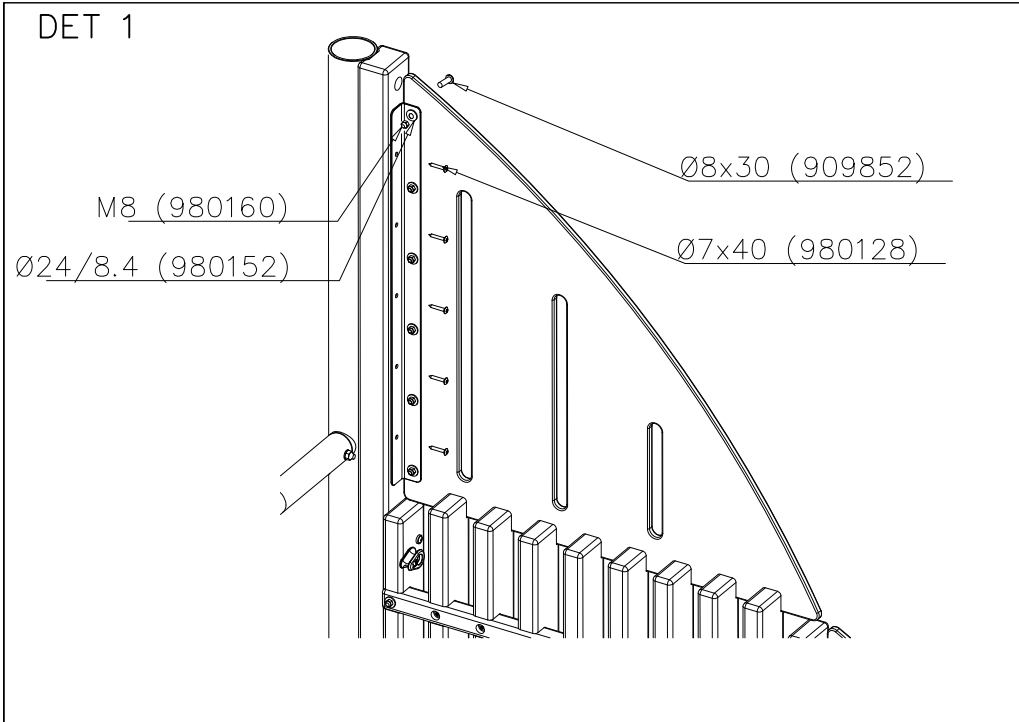
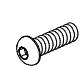
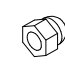
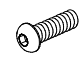

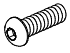

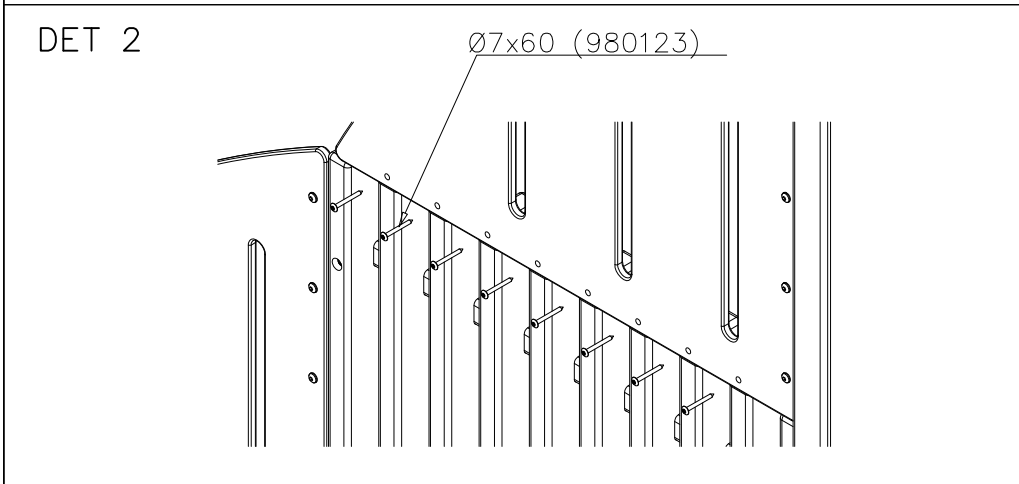





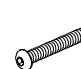












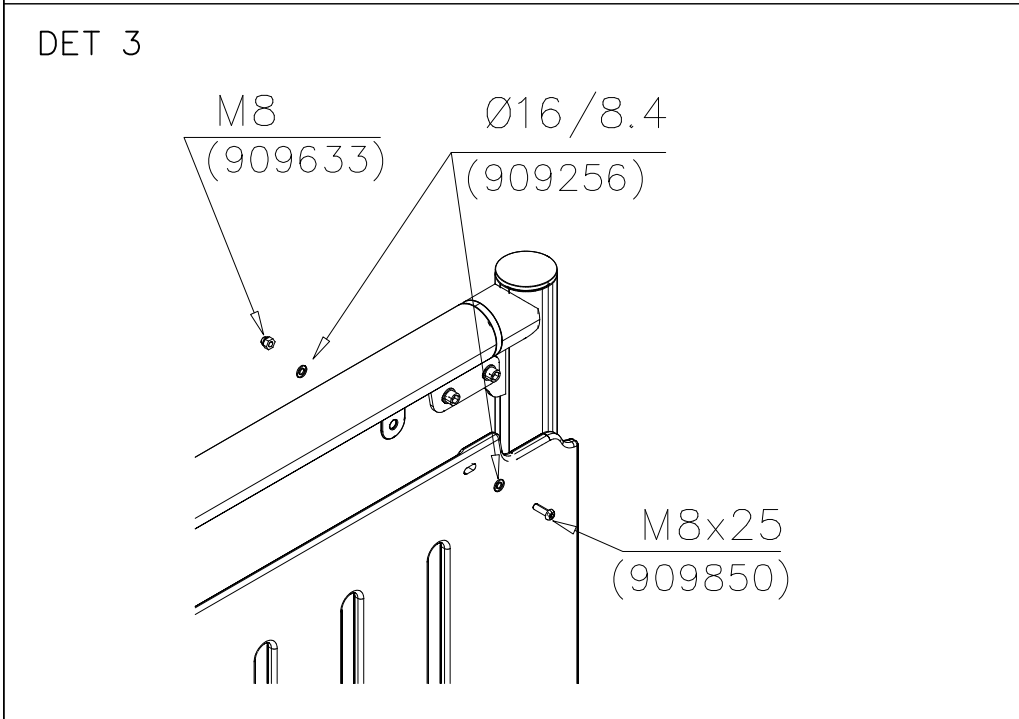
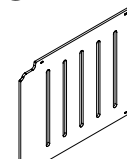
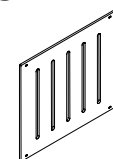

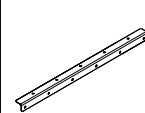
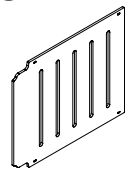
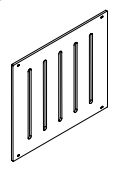
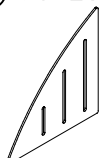
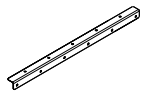
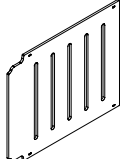
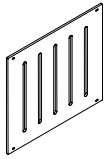
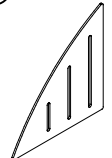
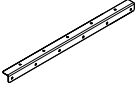
DET 13 Foundation is Option

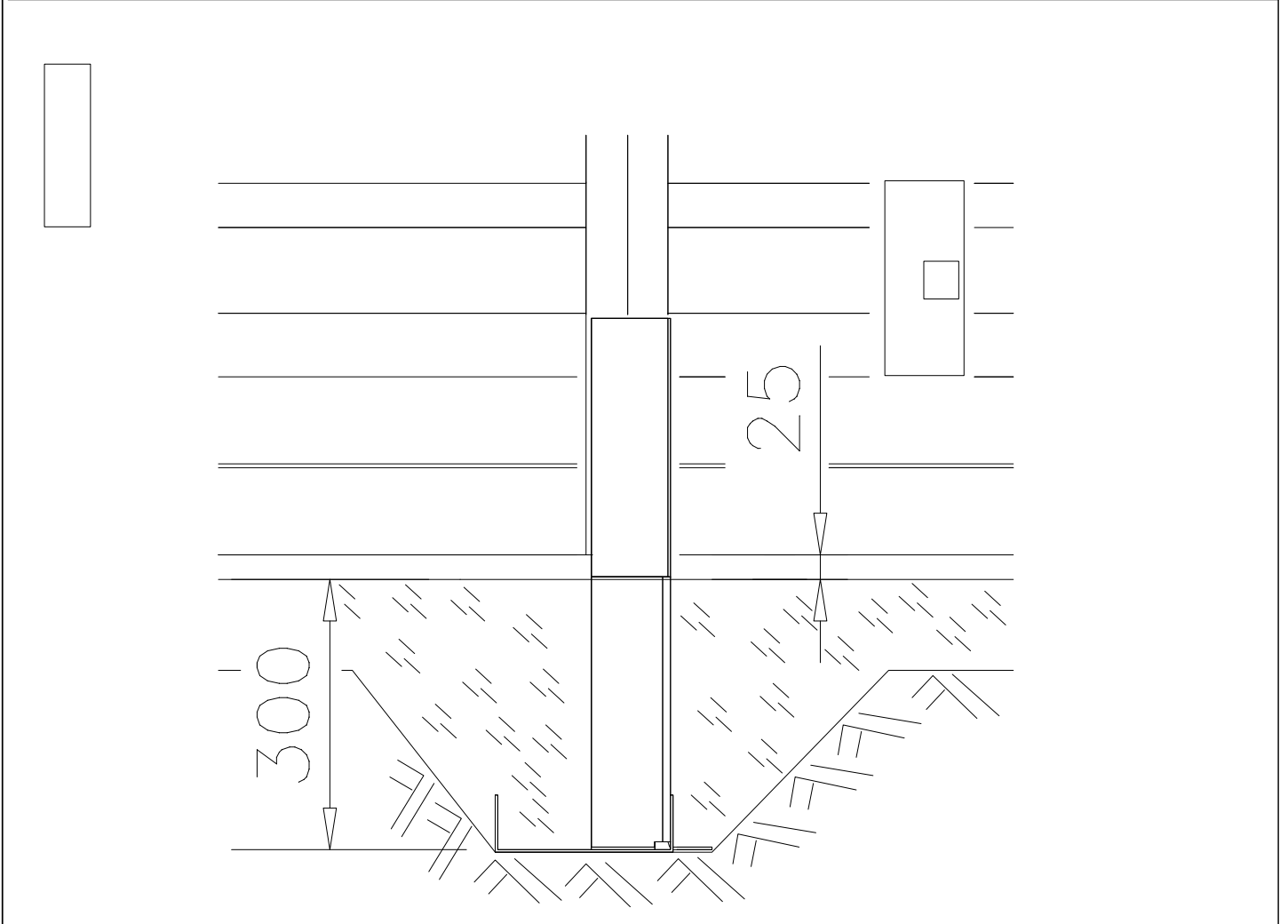
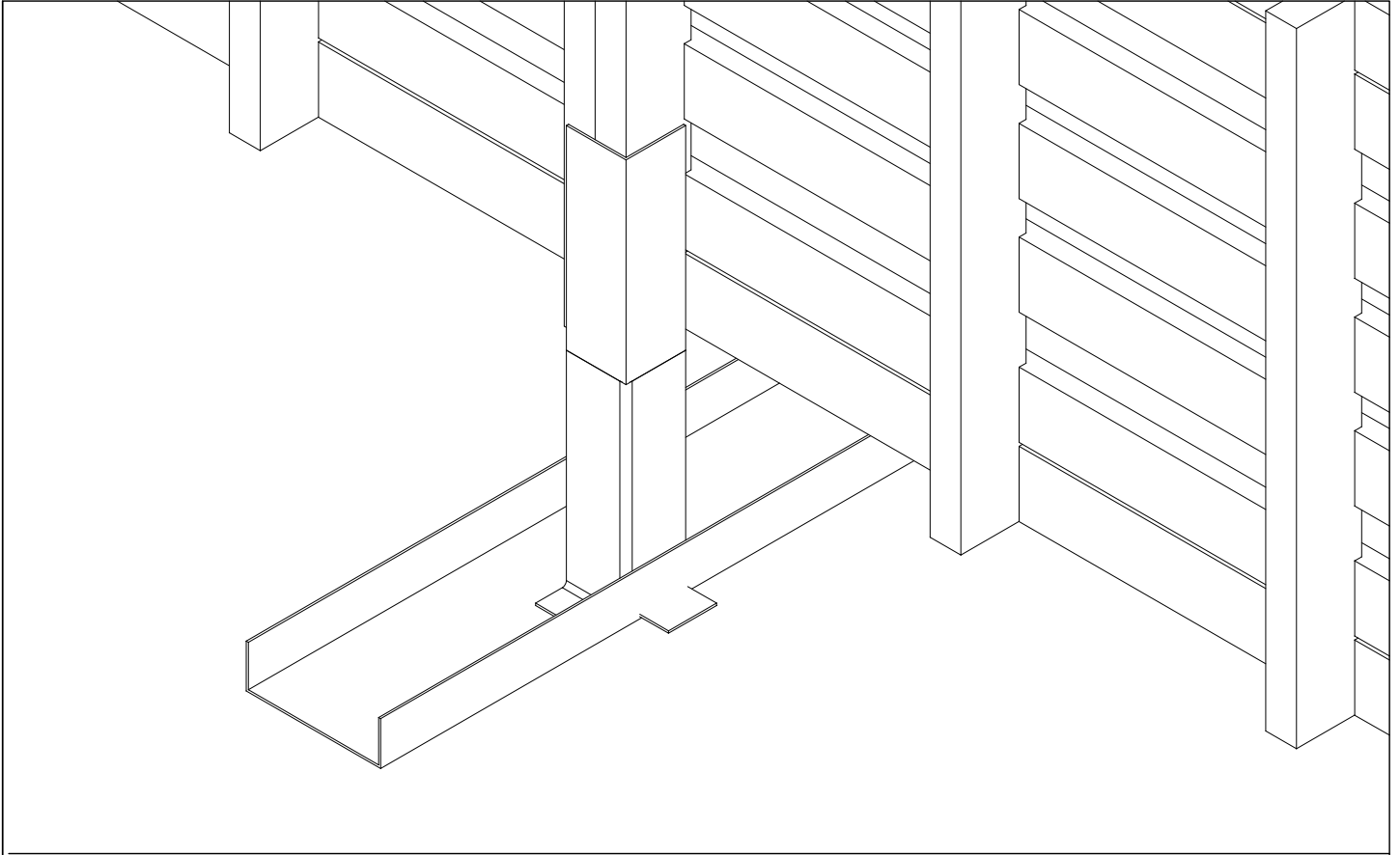


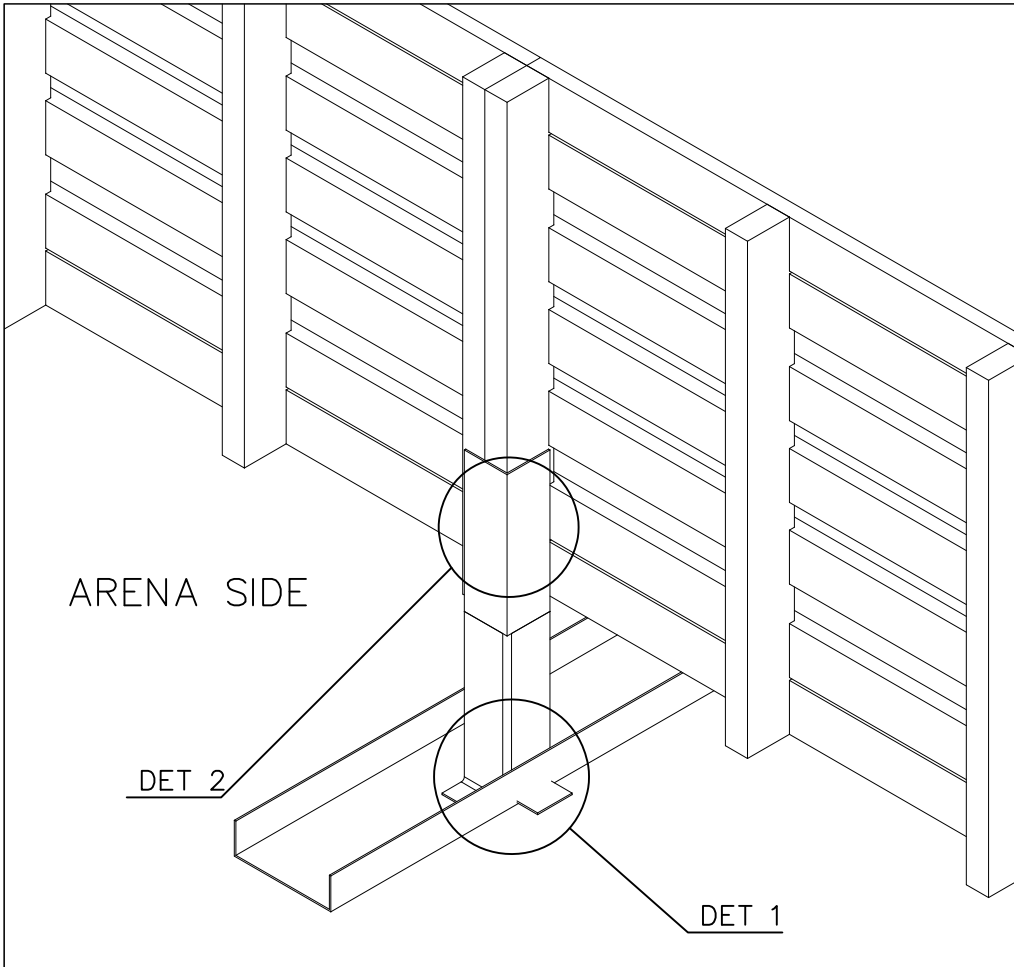
DET 14 Foundation is Option


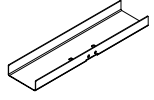



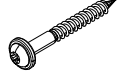


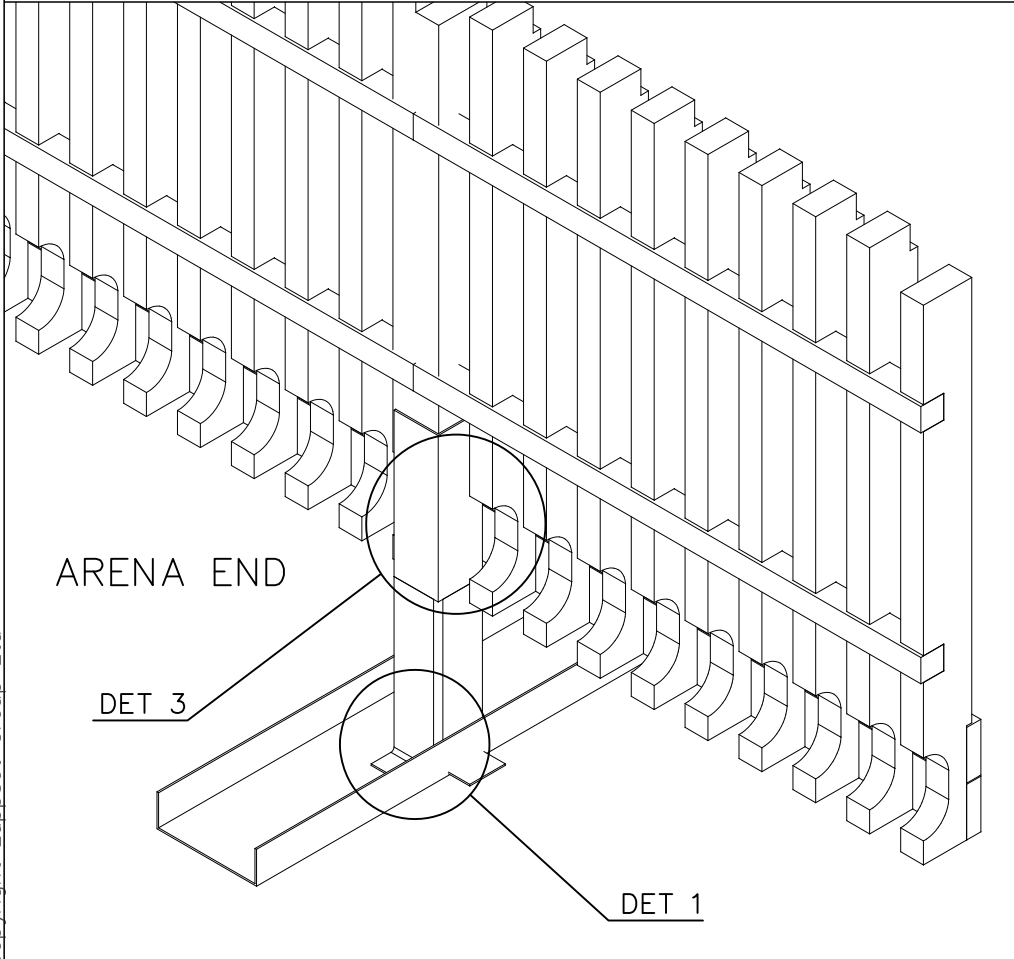


| | | | | | | | | | | | | | | | | | | | | | | | | | | | | | | | | | | | | | | | | | |
|--|--|---|-----|----------|-----|---|-----|---|-----|---|---|---|---|------------|-----|------------|-----|---|-----|---|-----|---|---|---|---|------------|-----|-------------|-----|---|----|---|----|-----------|--|-------|--|--|-----|--|-----|
| <p>DET 1</p>  | <table border="1"> <tr> <td>① 909850</td> <td>PCS</td> <td>② 909633</td> <td>PCS</td> </tr> <tr> <td></td> <td>12</td> <td></td> <td>12</td> </tr> <tr> <td>M8x25</td> <td></td> <td>M8</td> <td></td> </tr> </table> | ① 909850 | PCS | ② 909633 | PCS |  | 12 |  | 12 | M8x25 | | M8 | | | | | | | | | | | | | | | | | | | | | | | | | | | | | |
| ① 909850 | PCS | ② 909633 | PCS | | | | | | | | | | | | | | | | | | | | | | | | | | | | | | | | | | | | | | |
|  | 12 |  | 12 | | | | | | | | | | | | | | | | | | | | | | | | | | | | | | | | | | | | | | |
| M8x25 | | M8 | | | | | | | | | | | | | | | | | | | | | | | | | | | | | | | | | | | | | | | |
| <p>DET 2</p>  | <table border="1"> <tr> <td>③ 909256</td> <td>PCS</td> <td>④ 980123</td> <td>PCS</td> </tr> <tr> <td></td> <td>24</td> <td></td> <td>32</td> </tr> <tr> <td>Ø16/8.4x1.6</td> <td></td> <td>Ø7x60</td> <td></td> </tr> <tr> <td>⑤ 980128</td> <td>PCS</td> <td>⑥ 980160</td> <td>PCS</td> </tr> <tr> <td></td> <td>20</td> <td></td> <td>24</td> </tr> <tr> <td>Ø7x40</td> <td></td> <td>M8</td> <td></td> </tr> <tr> <td>⑦ 980152</td> <td>PCS</td> <td>⑧ 909852</td> <td>PCS</td> </tr> <tr> <td></td> <td>24</td> <td></td> <td>24</td> </tr> <tr> <td>Ø24/8.4x2</td> <td></td> <td>M8x30</td> <td></td> </tr> <tr> <td></td> <td>PCS</td> <td></td> <td>PCS</td> </tr> </table> | ③ 909256 | PCS | ④ 980123 | PCS |  | 24 |  | 32 | Ø16/8.4x1.6 | | Ø7x60 | | ⑤ 980128 | PCS | ⑥ 980160 | PCS |  | 20 |  | 24 | Ø7x40 | | M8 | | ⑦ 980152 | PCS | ⑧ 909852 | PCS |  | 24 |  | 24 | Ø24/8.4x2 | | M8x30 | | | PCS | | PCS |
| ③ 909256 | PCS | ④ 980123 | PCS | | | | | | | | | | | | | | | | | | | | | | | | | | | | | | | | | | | | | | |
|  | 24 |  | 32 | | | | | | | | | | | | | | | | | | | | | | | | | | | | | | | | | | | | | | |
| Ø16/8.4x1.6 | | Ø7x60 | | | | | | | | | | | | | | | | | | | | | | | | | | | | | | | | | | | | | | | |
| ⑤ 980128 | PCS | ⑥ 980160 | PCS | | | | | | | | | | | | | | | | | | | | | | | | | | | | | | | | | | | | | | |
|  | 20 |  | 24 | | | | | | | | | | | | | | | | | | | | | | | | | | | | | | | | | | | | | | |
| Ø7x40 | | M8 | | | | | | | | | | | | | | | | | | | | | | | | | | | | | | | | | | | | | | | |
| ⑦ 980152 | PCS | ⑧ 909852 | PCS | | | | | | | | | | | | | | | | | | | | | | | | | | | | | | | | | | | | | | |
|  | 24 |  | 24 | | | | | | | | | | | | | | | | | | | | | | | | | | | | | | | | | | | | | | |
| Ø24/8.4x2 | | M8x30 | | | | | | | | | | | | | | | | | | | | | | | | | | | | | | | | | | | | | | | |
| | PCS | | PCS | | | | | | | | | | | | | | | | | | | | | | | | | | | | | | | | | | | | | | |
| <p>DET 3</p>  | <table border="1"> <tr> <td colspan="4">NOT INCLUDED</td> </tr> <tr> <td>○ 707204</td> <td>PCS</td> <td>○ 707208</td> <td>PCS</td> </tr> <tr> <td></td> <td>2</td> <td></td> <td>1</td> </tr> <tr> <td>15x814x992</td> <td></td> <td>15x814x925</td> <td></td> </tr> <tr> <td>○ 704250</td> <td>PCS</td> <td>○ 904900</td> <td>PCS</td> </tr> <tr> <td></td> <td>4</td> <td></td> <td>4</td> </tr> <tr> <td>990x980x15</td> <td></td> <td>45x45x3x875</td> <td></td> </tr> </table> | NOT INCLUDED | | | | ○ 707204 | PCS | ○ 707208 | PCS |  | 2 |  | 1 | 15x814x992 | | 15x814x925 | | ○ 704250 | PCS | ○ 904900 | PCS |  | 4 |  | 4 | 990x980x15 | | 45x45x3x875 | | | | | | | | | | | | | |
| NOT INCLUDED | | | | | | | | | | | | | | | | | | | | | | | | | | | | | | | | | | | | | | | | | |
| ○ 707204 | PCS | ○ 707208 | PCS | | | | | | | | | | | | | | | | | | | | | | | | | | | | | | | | | | | | | | |
|  | 2 |  | 1 | | | | | | | | | | | | | | | | | | | | | | | | | | | | | | | | | | | | | | |
| 15x814x992 | | 15x814x925 | | | | | | | | | | | | | | | | | | | | | | | | | | | | | | | | | | | | | | | |
| ○ 704250 | PCS | ○ 904900 | PCS | | | | | | | | | | | | | | | | | | | | | | | | | | | | | | | | | | | | | | |
|  | 4 |  | 4 | | | | | | | | | | | | | | | | | | | | | | | | | | | | | | | | | | | | | | |
| 990x980x15 | | 45x45x3x875 | | | | | | | | | | | | | | | | | | | | | | | | | | | | | | | | | | | | | | | |

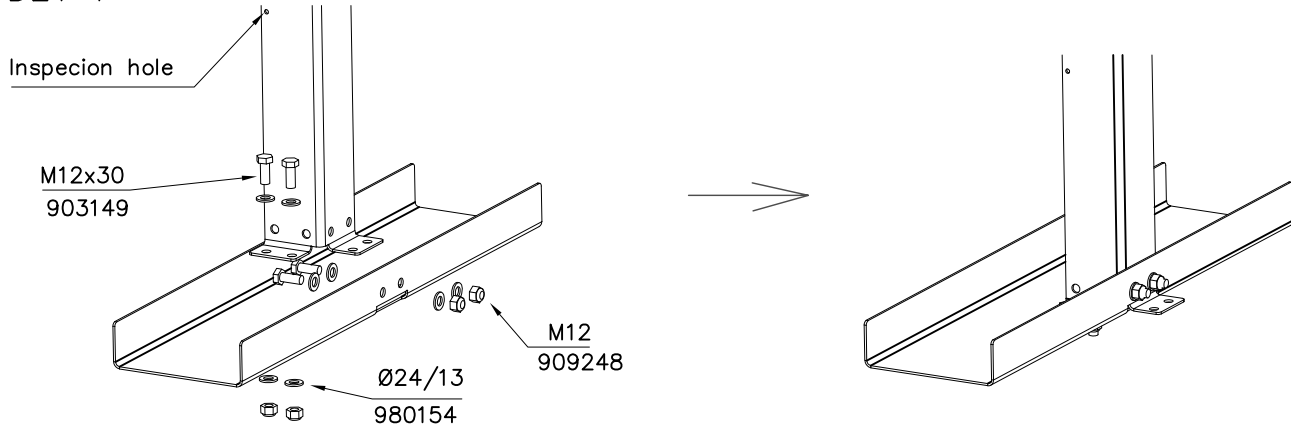




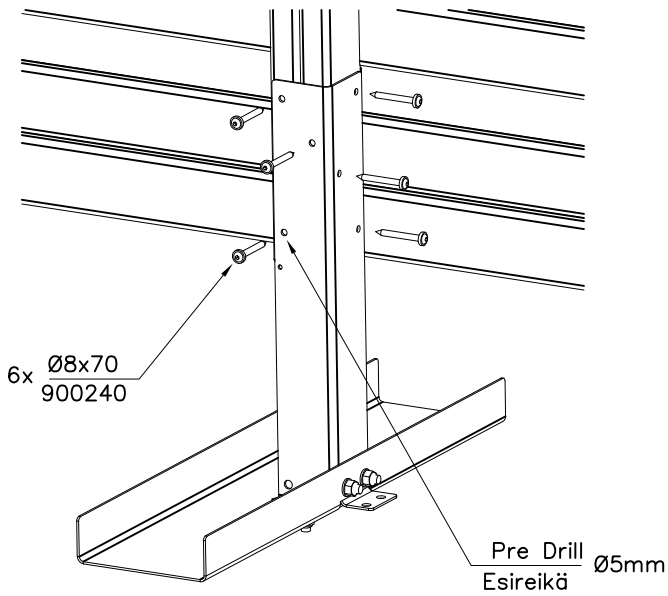
| | | | |
|---|-----|---|-----|
| ① 902433 | PCS | ② 902299 | PCS |
|  | 1 |  | 1 |
| ③ 903149 | PCS | ④ 909248 | PCS |
|  | 4 |  | 4 |
| M12x30 | | M12 | |
| ⑤ 980154 | PCS | ⑥ 900240 | PCS |
|  | 8 |  | 6 |
| Ø24/13 | | Ø8x70 | |
| | PCS | | PCS |



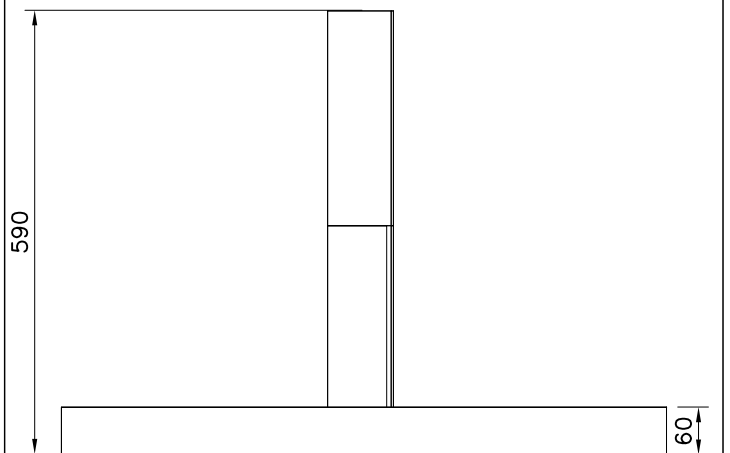
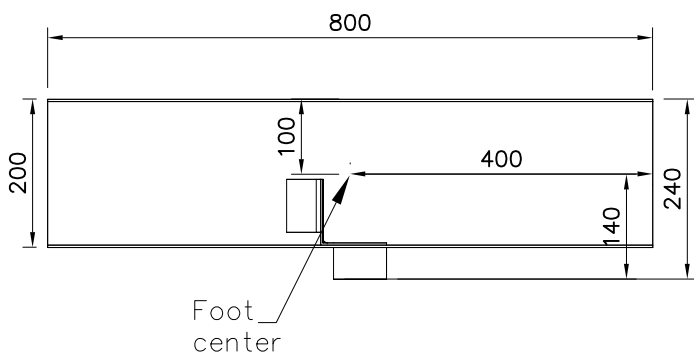
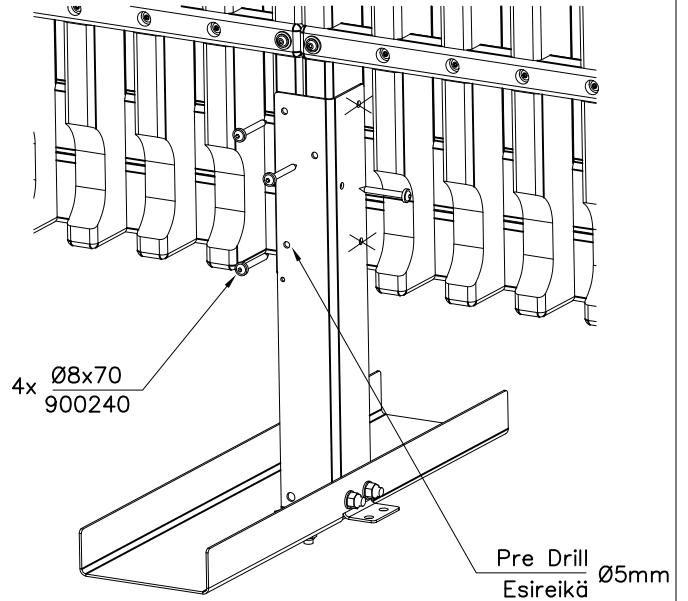
DET 1



DET 2 ARENA SIDE



DET 3 ARENA END





Tuotekyltti tulee tuotteen mukana yhdellä seuraavista tavoista:

1) Metallinen tuotekyltti ja kiinnitysruuvit

- Kiinnitä tuotekyltti ruuveilla tolppaan noin 2 metrin korkeuteen kuvan 1 mukaisesti.

2) Tuotekylttitarra

- Puhdista maalattu metalli- tai vaneripinta pölystä ja kosteudesta. Liimaa tarra kuvan 2 mukaisesti.
- Huom. Älä kiinnitä tarraa karheapintaiseen laminaattiin tai maalattuun puuhun.

Vår produktmärkning levereras på ett av följande sätt:

1) Produktskylt i metall

- Fäst skylten med de medföljande skruvarna

2) Självhäftande produktetikett

- Rengör den pulverlackerade metallytan eller laminatyten så att den blir fri från smuts och fukt. Fäst etiketten enligt fig. 2.
- Obs! Fäst ej etiketten på detaljer med skrovlig yta eller på målat trä.

Product label is delivered by one of following ways:

1) Metal product label and screws

- Fasten the label with screws.

2) Label sticker

- Clean the painted metal or plywood surface from dirt and moisture. Fasten the sticker as shown in the figure 2.
- Note. Do not attach the sticker to rough surfaced laminate or painted wood.

La plaque d'informations produit est livrée sous l'une de ces 3 formes :

1) Plaque métallique et vis

- Fixez la plaque à l'aide des vis.

2) Etiquette autocollante

- Avant de coller l'étiquette, nettoyez le composant métallique peint ou la plaque de contreplaqué, de toute saleté. La surface doit être sèche (voir image 2).
- Attention, ne pas coller l'étiquette sur une surface lamellé-collée irrégulière ou sur du bois peint.

Die Auslieferung des Produktaufklebers erfolgt auf eine dieser Arten:

1) Produkt-Schild aus Metall incl. Schrauben

- Die Befestigung des Schildes erfolgt mittels der Schrauben.

2) Aufkleber

- Entfernen Sie zunächst Schmutz und Feuchtigkeit vom lackierten Metall bzw. von der Holzoberfläche und bringen Sie den Aufkleber wie im Bild oben rechts beschrieben auf den gesäuberten Untergrund auf.
- Beachten Sie: Bringen Sie den Aufkleber nicht auf raues laminiertes oder lackiertes Holz an.