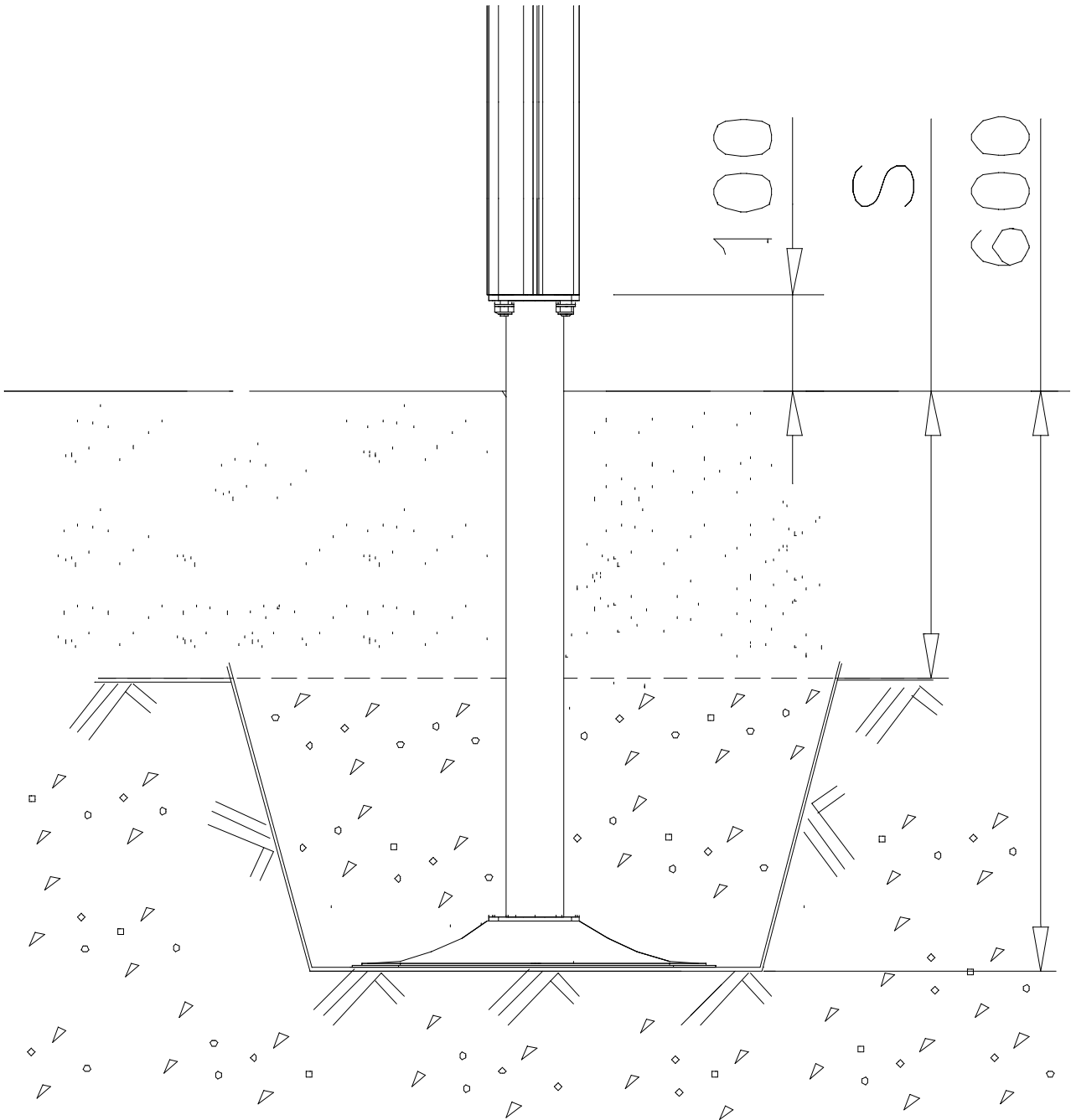
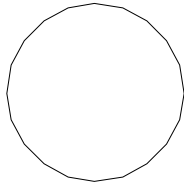


LAPPSET®
DEEP FOUNDATION

FOOT

DATE: 13.3.2014

4A



LAPPSET®
BETON FOUNDATION

FOOT

DATE: 27.10.2015

1(1)

| | | | |
|--|-----|--|-----|
| ② 905104 | PCS | | PCS |
| | 4 | | |
|  M10 | PCS | | PCS |
| | | | |



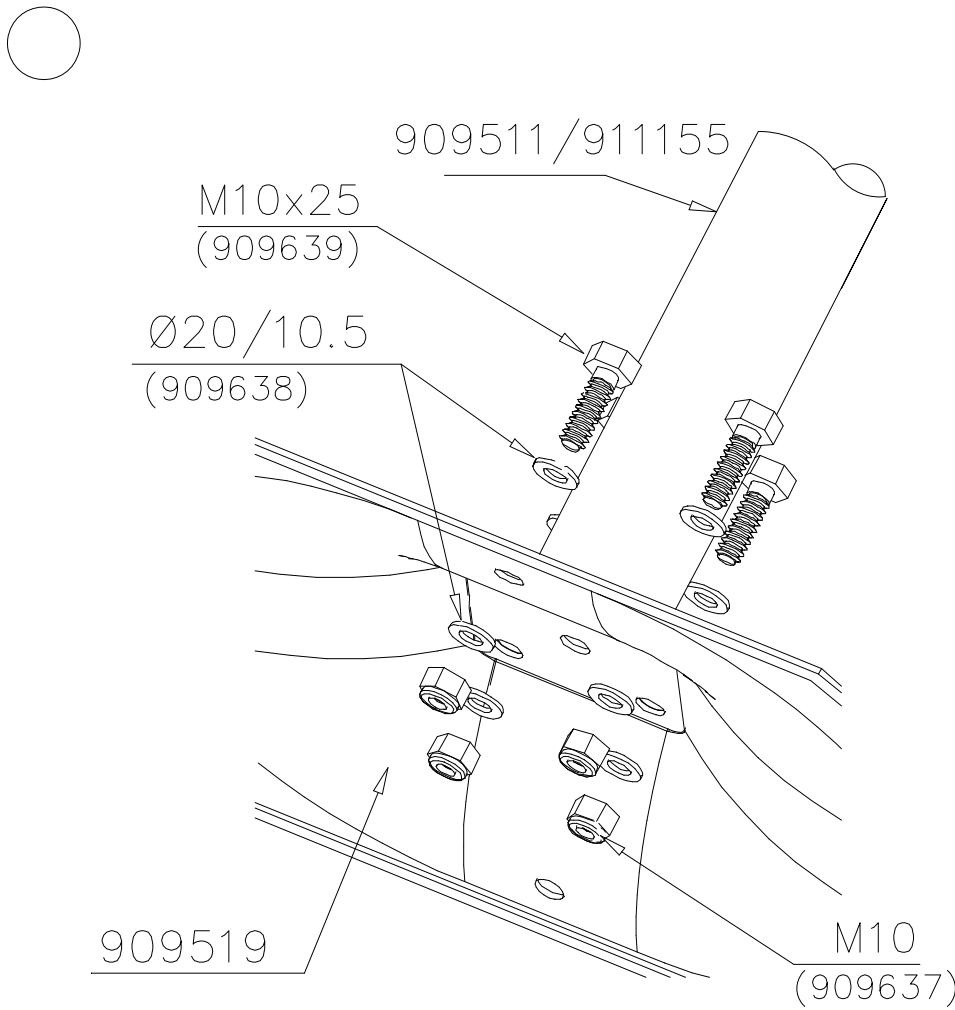
905104


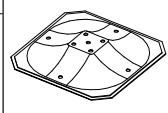
LAPPSET® DEEP FOUNDATION

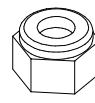
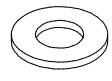
FOOT

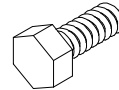
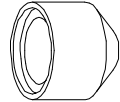
DATE: 15.5.2018

1(1)




| | | | | | |
|---|---|-----|---|---|-----|
| ① | 909511 | PCS | ② | 909519 | PCS |
| |  | 1 | |  | 1 |
| | 90x90x650 | | | 50x380x380 | |

| | | | | | |
|---|---|-----|---|---|-----|
| ③ | 909637 | PCS | ④ | 909638 | PCS |
| |  | 4 | |  | 8 |
| | M10 | | | Ø20/10.5 | |

| | | | | | |
|---|---|-----|---|---|-----|
| ⑤ | 909639 | PCS | ⑥ | 905104 | PCS |
| |  | 4 | |  | 4 |
| | M10x25 | | | M10 | |

OPTION FOOT

| | | | | | |
|---|---|-----|--|--|-----|
| ① | 911155 | PCS | | | PCS |
| |  | 1 | | | |
| | 90x90x650 | | | | |

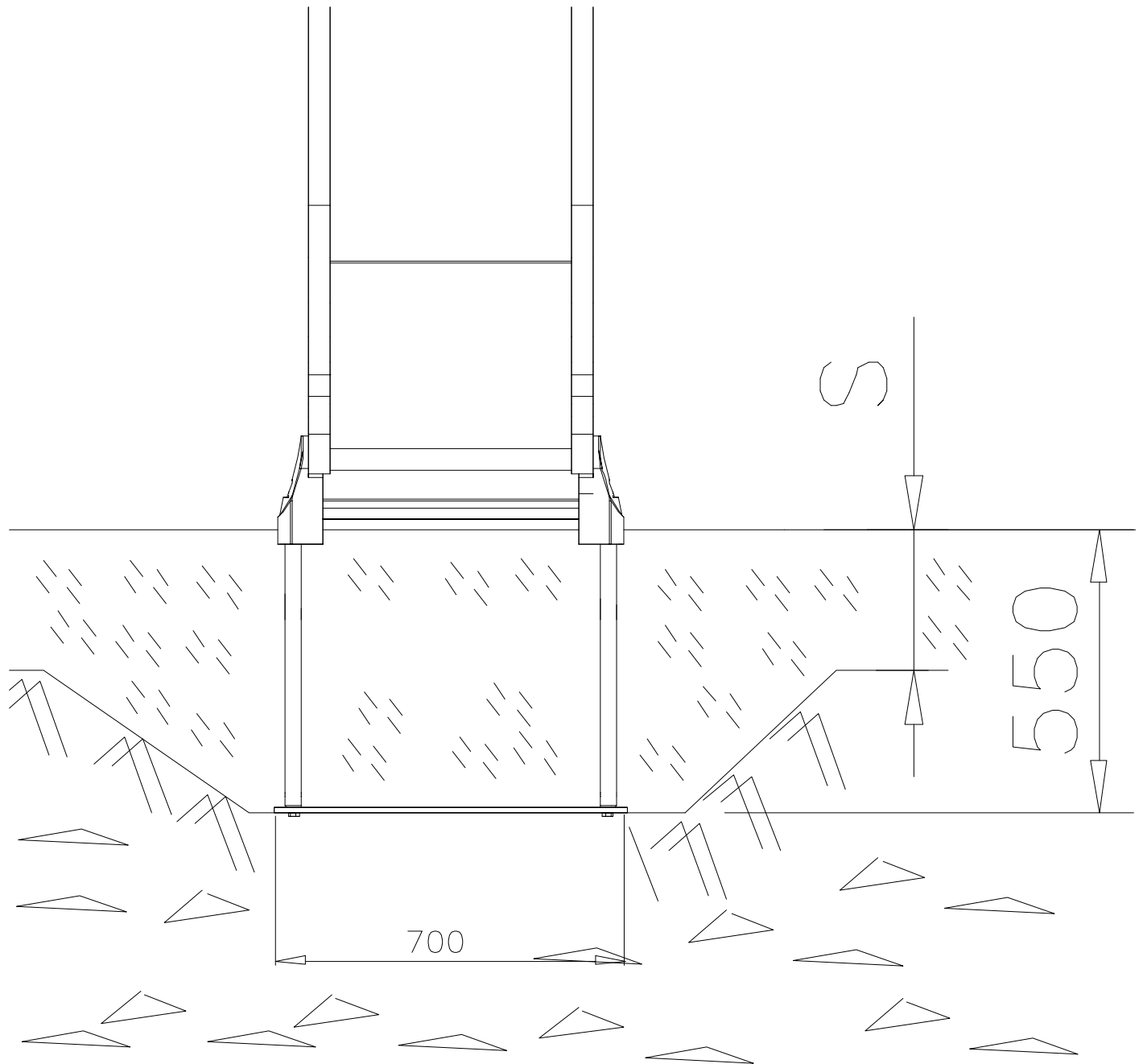
LAPPSET

DEEP FOUNDATION

SLIDE WOOD

DATE: 22.5.2015

1(1)



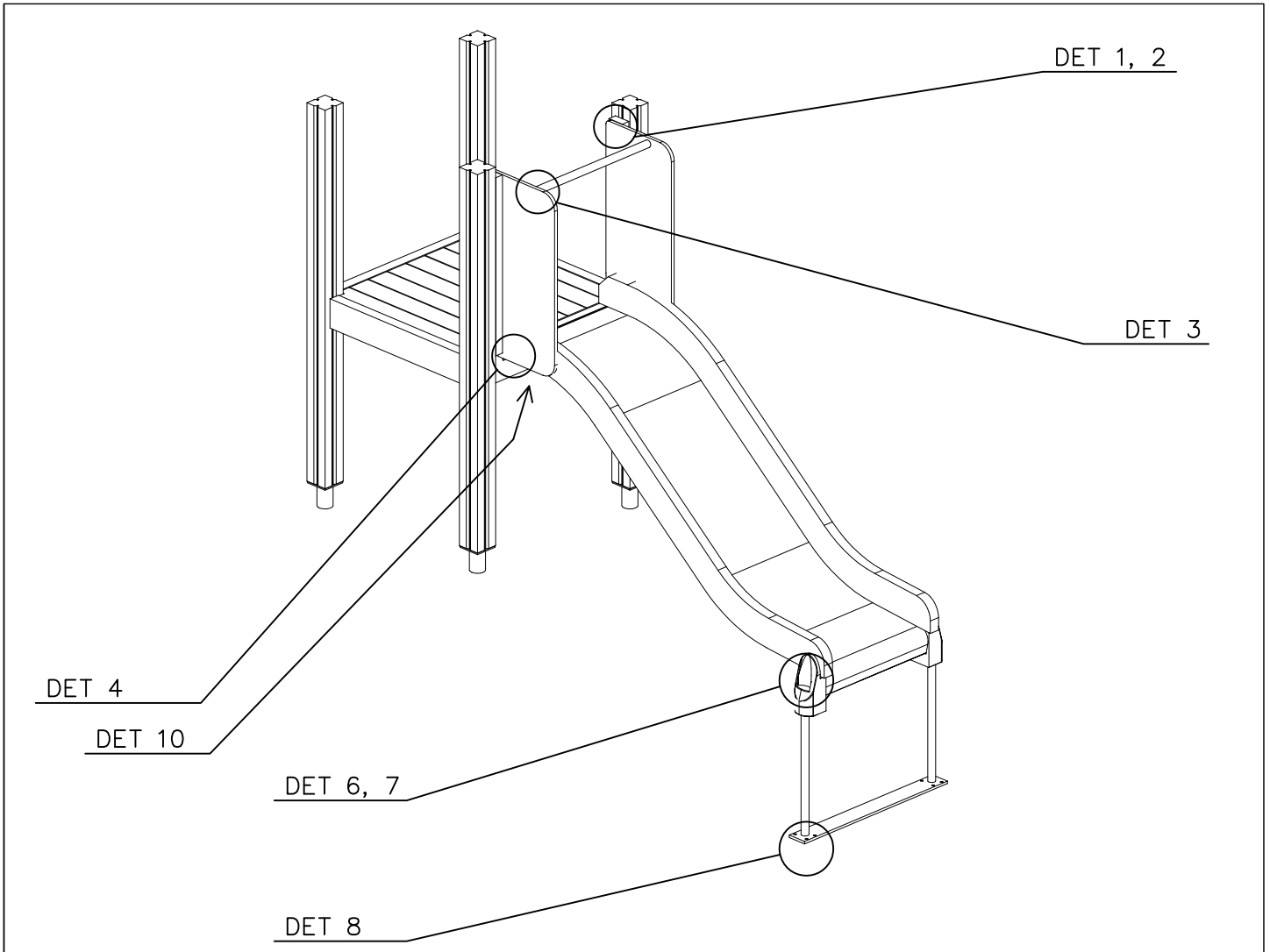
LAPPSET®

DEEP FOUNDATION

SLIDE WOOD

DATE: 3.11.2017

1(5)



SLIDE OPTIONS

| | | |
|---|---|--|
| <p>706450 +1470</p>  | <p>706450-602 DARK BROWN 706450-603 LIGHT BROWN 706450-604 LIGHT GRAY</p> | |
| <p>706452 +870</p>  | <p>706452-602 DARK BROWN 706452-603 LIGHT BROWN 706452-604 LIGHT GRAY</p> | |

WALL OPTIONS

| | | |
|---|---|--|
| <p>706371</p>  | <p>706371-701 BLUE 706371-702 YELLOW 706371-703 LIME 706371-704 DRARK GRAY 706371-705 LIGHT GRAY 706371-706 RED</p> | <p>706371-707 GREEN 706371-708 FUXIA</p> |
|---|---|--|

LAPPSET

80M

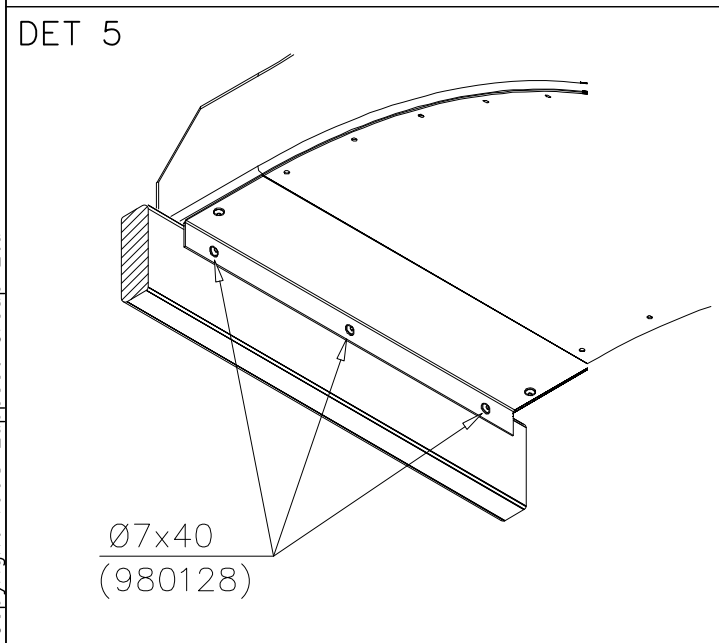
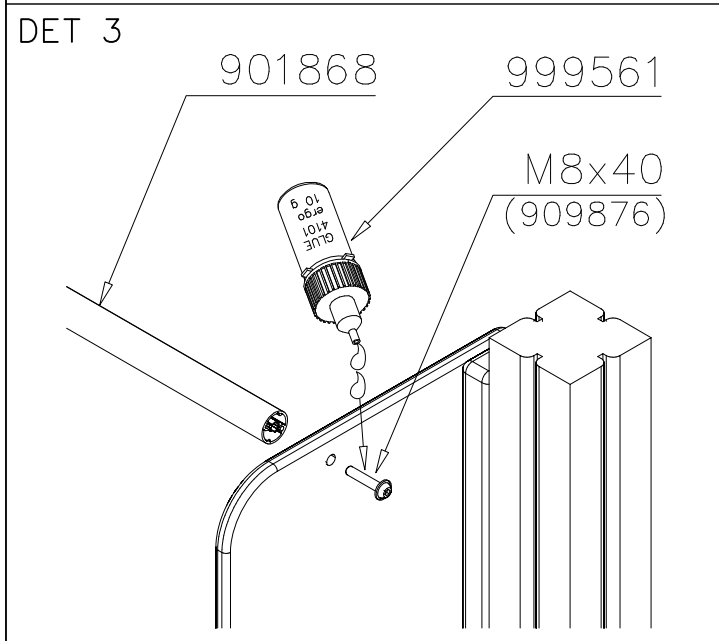
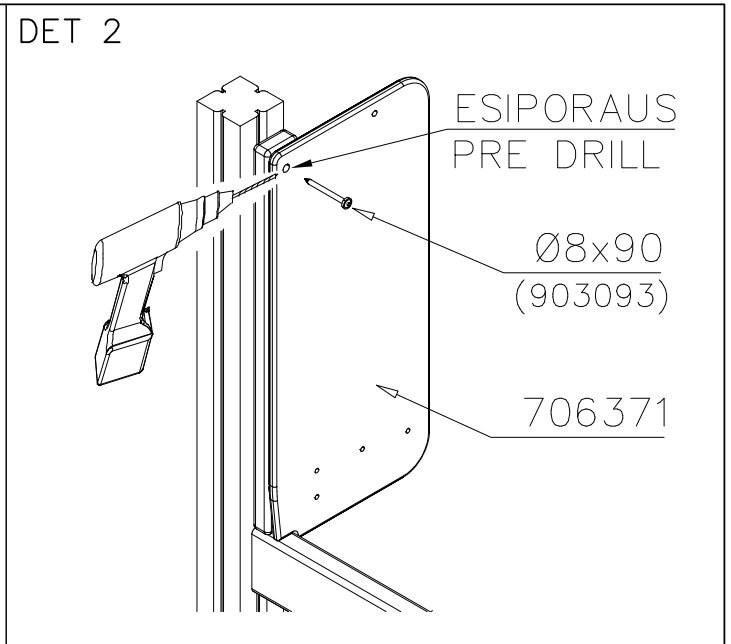
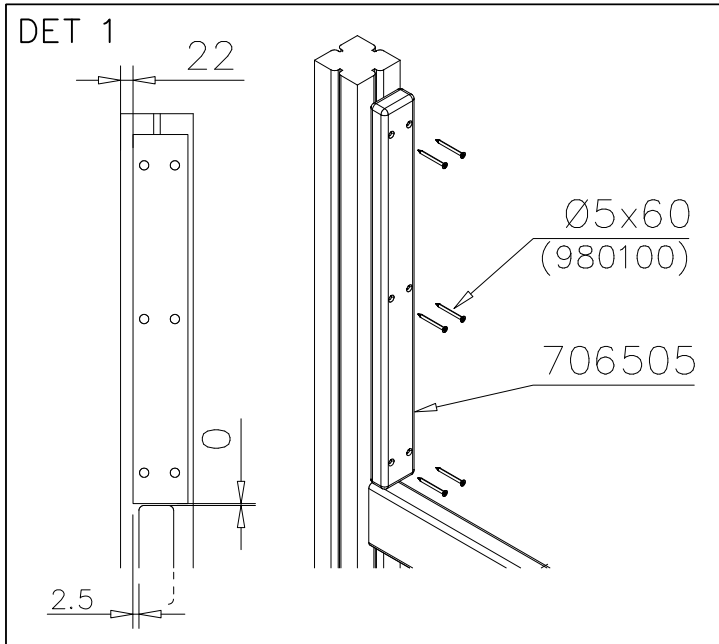
SLIDE WOOD

DATE: 3.11.2017

2(5)

| | | | | | | | | | | | |
|--|-----|---|-----|---|-----|---|-----|--|-----|---|-----|
| ○ SLIDE | PCS | ○ SLIDE | PCS | ○ 706371 | PCS | ○ 706505 | PCS | ○ 901868 | PCS | ① 903093 | PCS |
|  | 1 |  | 1 |  | 2 |  | 2 |  | 1 |  | 2 |
| +1470 | | +870 | | 15x345x750 | | 35x70x730 | | Ø34x598 | | Ø8x90 | |
| ② 909876 | PCS | ③ 980100 | PCS | ④ 980128 | PCS | ⑤ 999561 | PCS | | | | |
|  | 2 |  | 12 |  | 11 |  | 1 | | | | |
| M8x40 | | Ø5x60 | | Ø7x40 | | 10g | | | | | |





LAPPSET

DEEP FOUNDATION

SLIDE WOOD

DATE: 3.11.2017

4(5)

| | | | | | | | | | | | |
|--|-----|---|-----|---|-----|---|-----|--|-----|---|-----|
| ○ 707133 | PCS | ○ 901868 | PCS | ○ 901879 | PCS | ⑥ 909210 | PCS | ⑦ 905051 | PCS | ⑧ 980128 | PCS |
|  | 1 |  | 2 |  | 2 |  | 4 |  | 4 |  | 6 |
| 10x80x745 | | Ø30x598 | | | | M8x40 | | Ø24/8.4 | | Ø7x40 | |



DET 6



Insert sheet metal IN to the plastic cover.

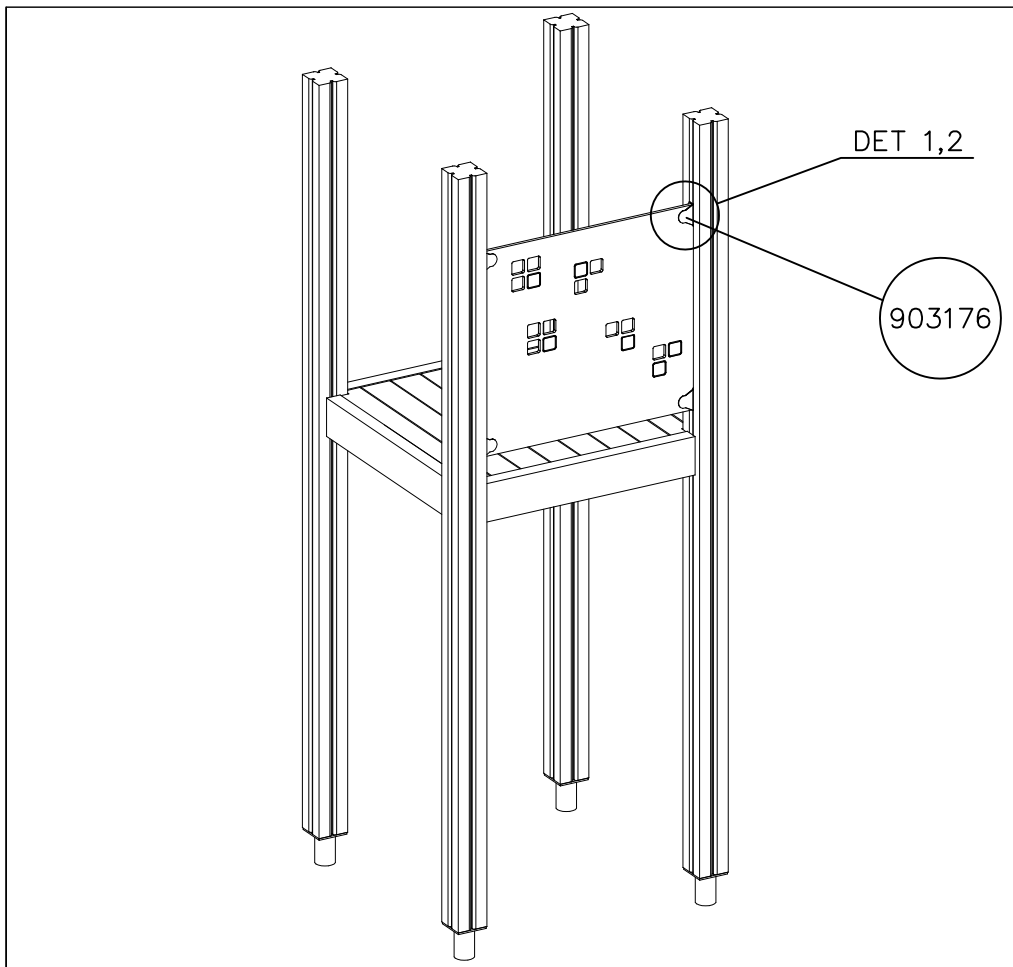


DET 7

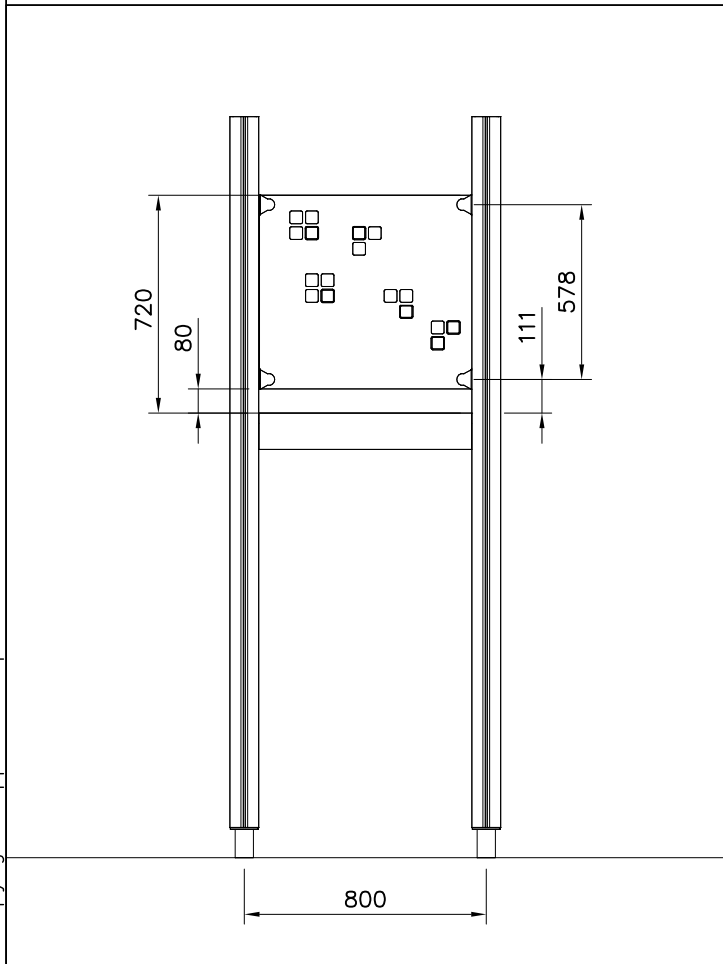


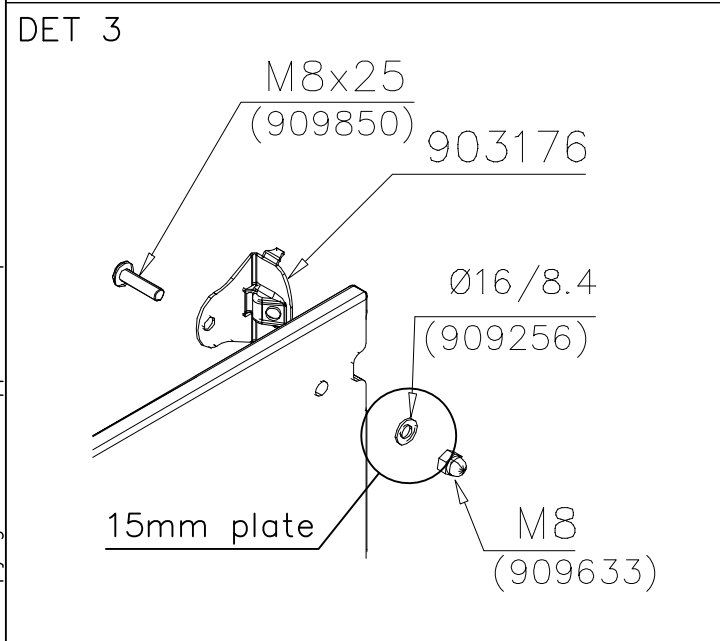
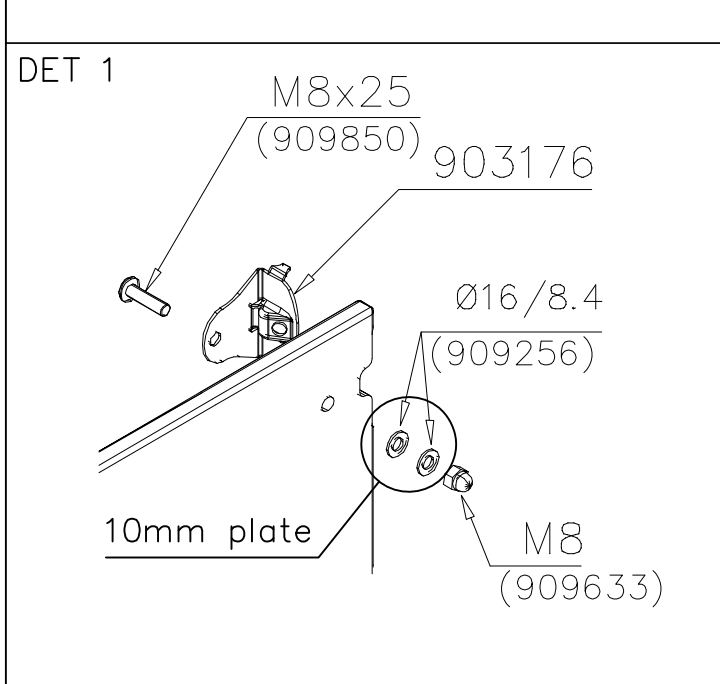
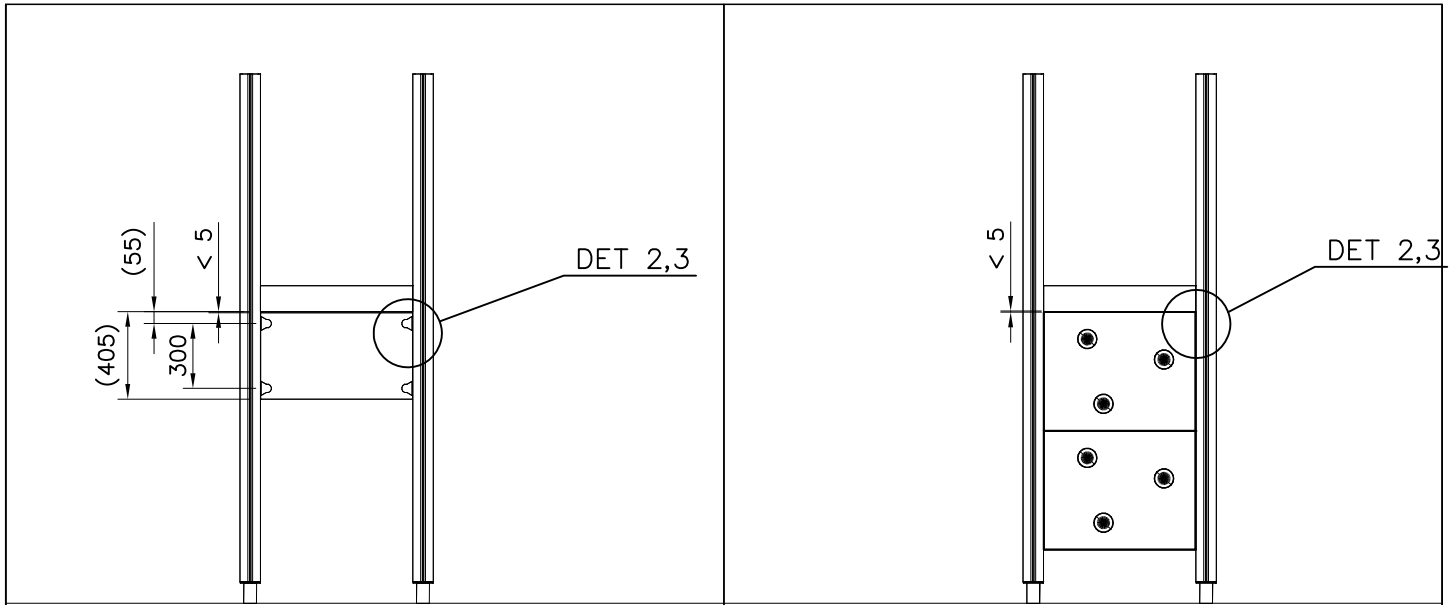
DET 8

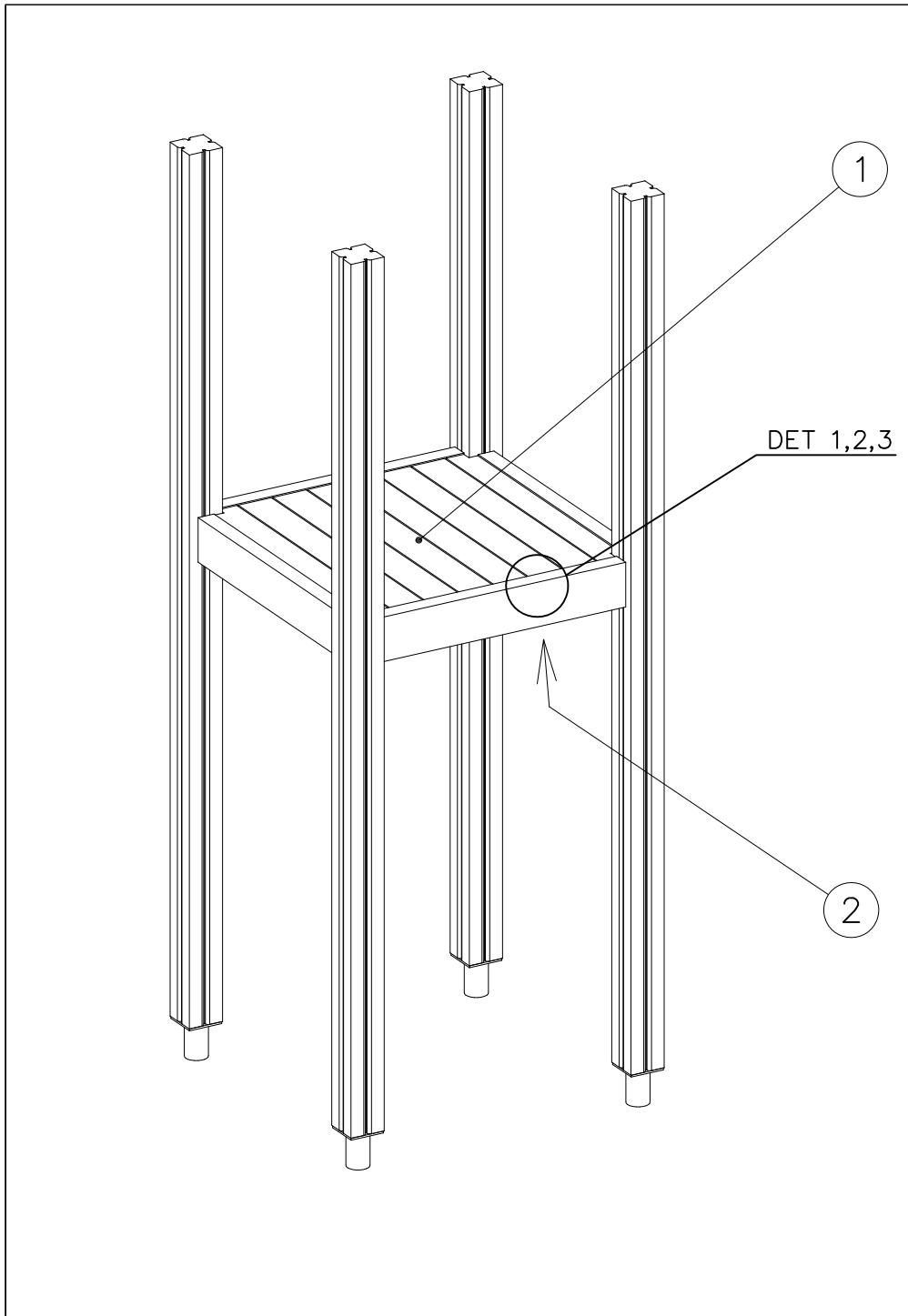


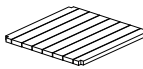
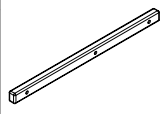
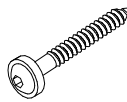



| | | | |
|-------------|-----|----------|-----|
| ① 903176 | PCS | ② 909850 | PCS |
| | 4 | | 4 |
| | | M8x25 | |
| ③ 909256 | PCS | ④ 909633 | PCS |
| | 8 | | 4 |
| Ø16/8.4x1.6 | | M8 | |
| ⑤ 980123 | PCS | | PCS |
| | 4 | | |
| Ø7x60 | | | |
| | PCS | | PCS |

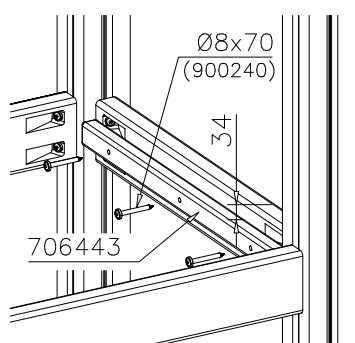






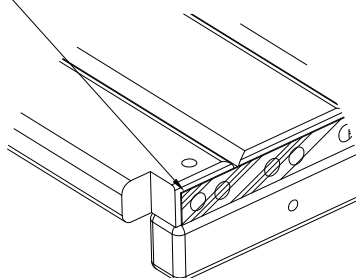
| | | | |
|---|-----|---|-----|
| ① 008986 | PCS | ② 706443 | PCS |
|  | 1 |  | 2 |
| 750x750 | | 32x45x702 | |
| ③ 900240 | PCS | ④ 980101 | PCS |
|  | 6 |  | 8 |
| Ø8x70 | | Ø4.5x70 | |
| | PCS | | PCS |
| | | | |
| | PCS | | PCS |
| | | | |
| | PCS | | PCS |
| | | | |

DET 1

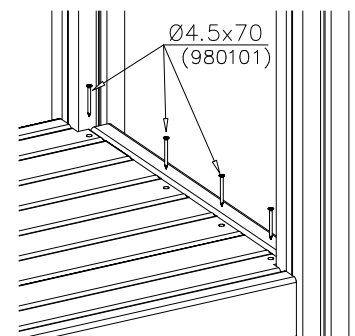


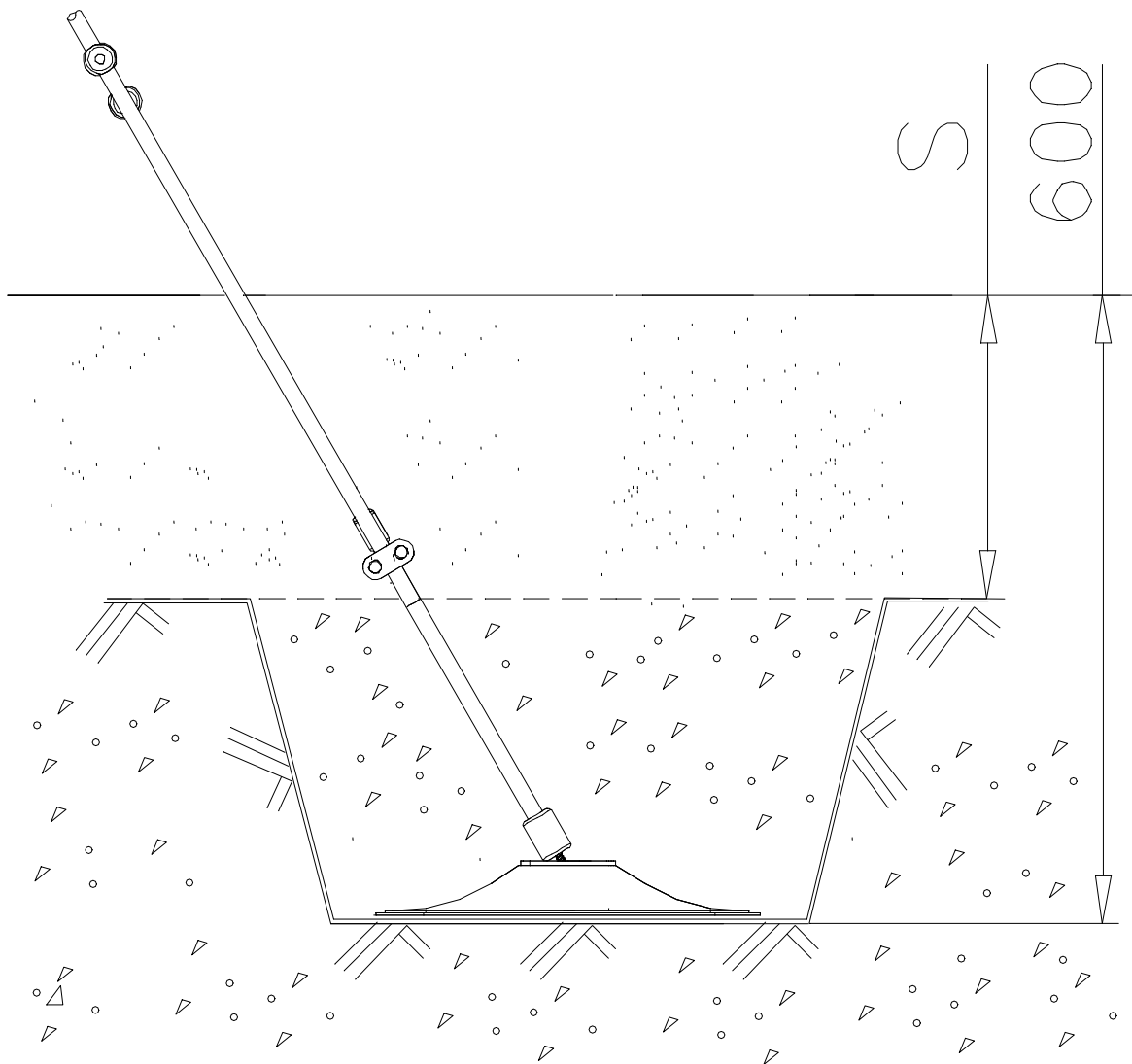
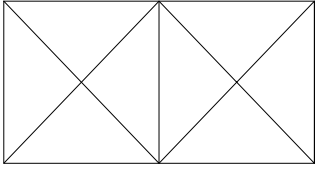
DET 2

Naulanauha kannatinlistan puolelle.
Nail list to the bottom.



DET 3





LAPPSET® DEEP FOUNDATION

ROPE LADDER

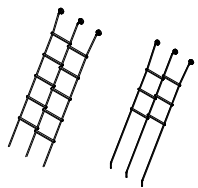
DATE: 30.6.2016

1(1)

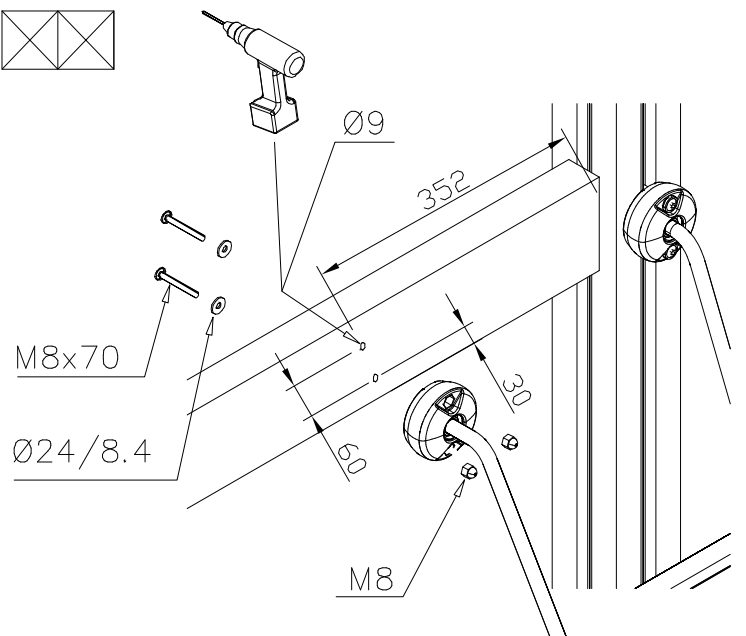
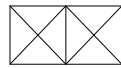
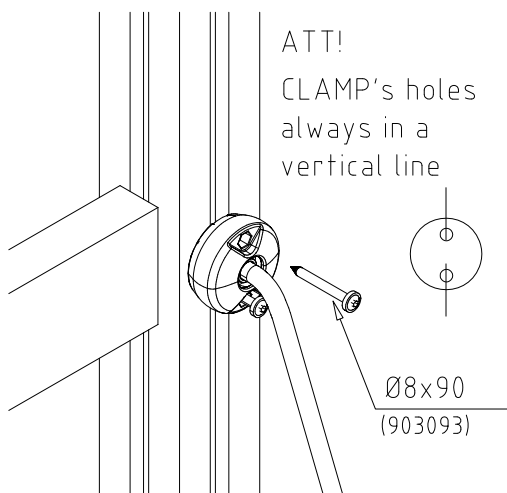
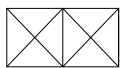
| | | | |
|----------|-----|------------|-----|
| ① 905051 | PCS | ② 909519 | PCS |
| | 2 | | 2 |
| Ø24/8.4 | | 50x380x380 | |
| ③ 909867 | PCS | ④ 909633 | PCS |
| | 2 | | 2 |
| M8x70 | | M8 | |
| ⑤ 903093 | PCS | | PCS |
| | 4 | | |
| Ø8x90 | | | |
| ○ 706462 | PCS | ○ 707393 | PCS |
| | 1 | | 1 |
| +1470 | | +1970 | |

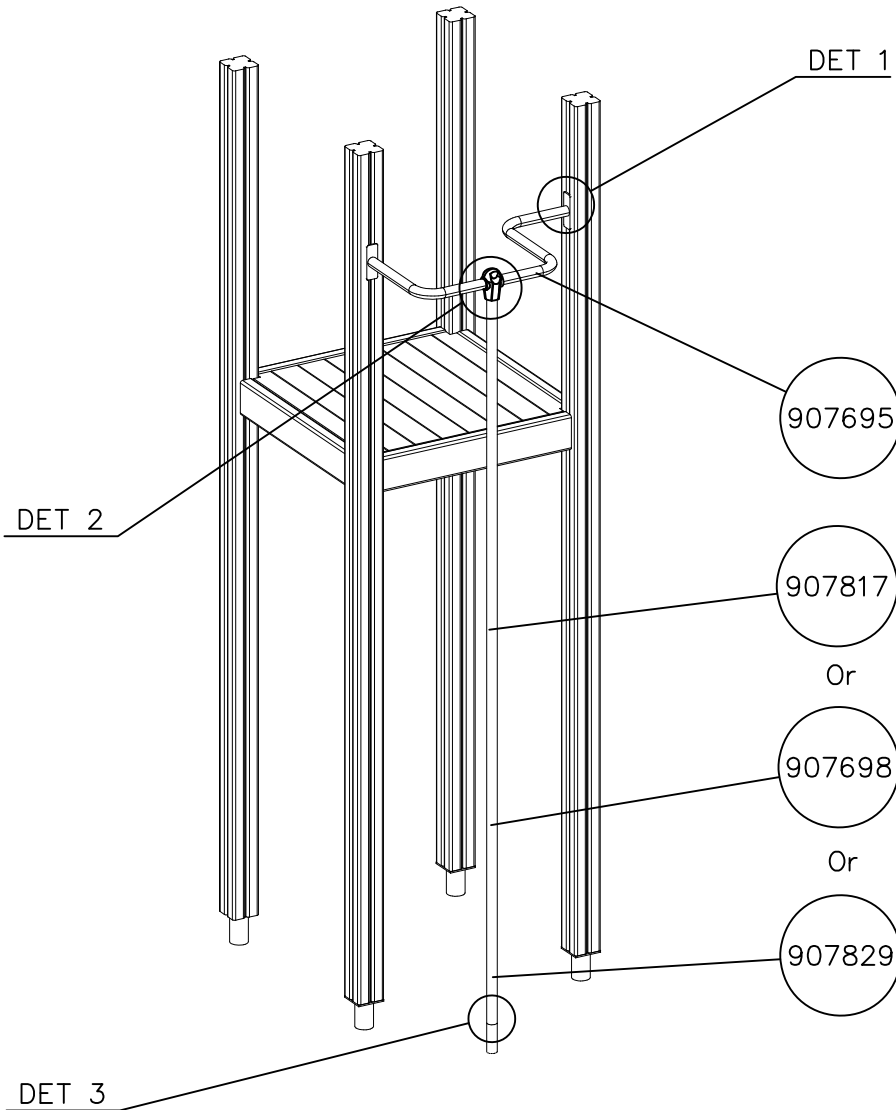
M12
(909248)

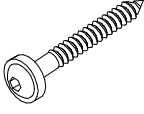
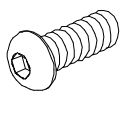


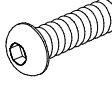

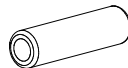




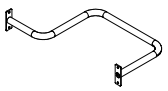
ROPE LADDER COLOR OPTIONS

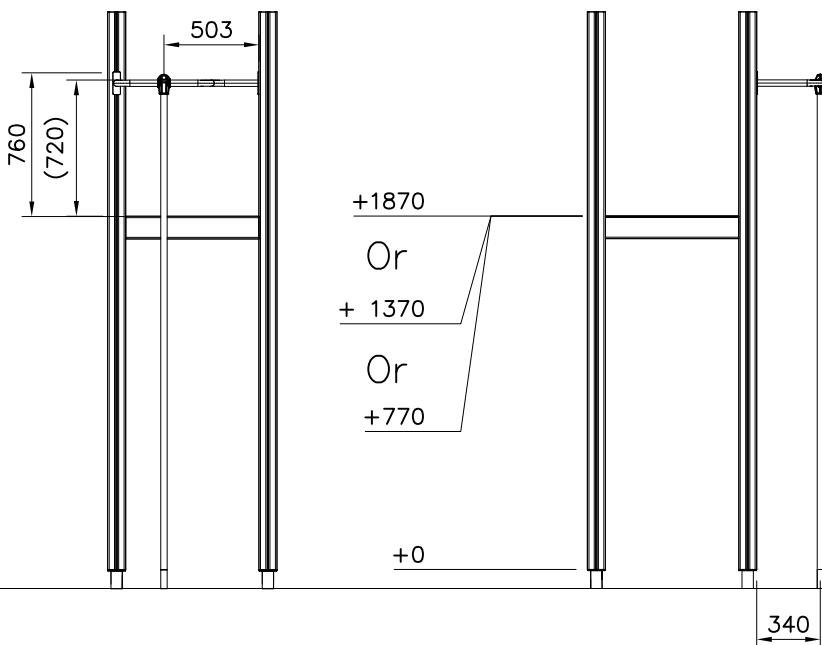


| | |
|------------|--------|
| xxxxxx-301 | BLUE |
| xxxxxx-302 | RED |
| xxxxxx-303 | BEIGE |
| xxxxxx-304 | GRAY |
| xxxxxx-305 | BLACK |
| xxxxxx-306 | YELLOW |





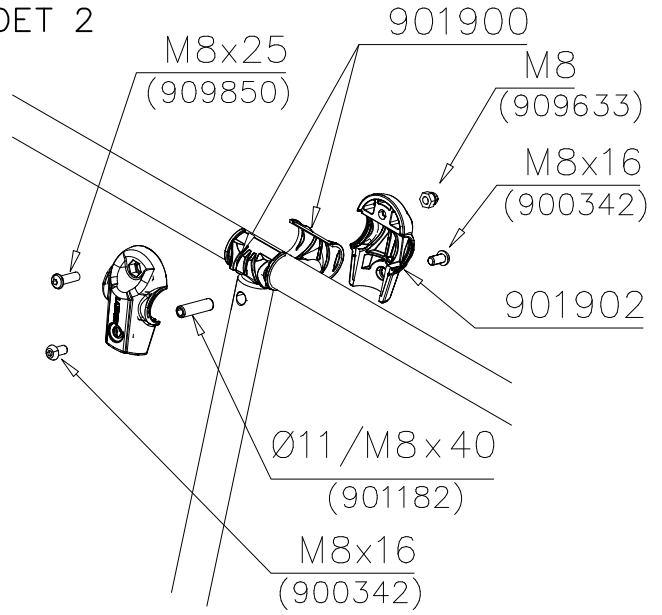
| | | | |
|---|-----|---|-----|
| ① 900240 | PCS | ② 900342 | PCS |
|  | 4 |  | 2 |
| Ø8x70 | | M8x16 | |
| ③ 901900 | PCS | ④ 901939 | PCS |
|  | 2 |  | 1 |
| 20.5x36.2x56 | | M12x70 | |
| ⑤ 909850 | PCS | ⑥ 980150 | PCS |
|  | 1 |  | 1 |
| M8x25 | | M8 | |
| ⑦ 901182 | PCS | ⑧ 901902 | PCS |
|  | 1 |  | 2 |
| Ø11/M8x40 | | 30.7x60.9x100 | |
| | PCS | | PCS |
| | | | |
| | PCS | | PCS |
| | | | |
| ○ 907829 | PCS | ○ 907698 | PCS |
|  | 1 |  | 1 |
| Ø33,7x1454 | | Ø33,7x2054 | |
| ○ 907817 | PCS | ○ 907695 | PCS |
|  | 1 |  | 1 |
| Ø33,7x2554 | | | |



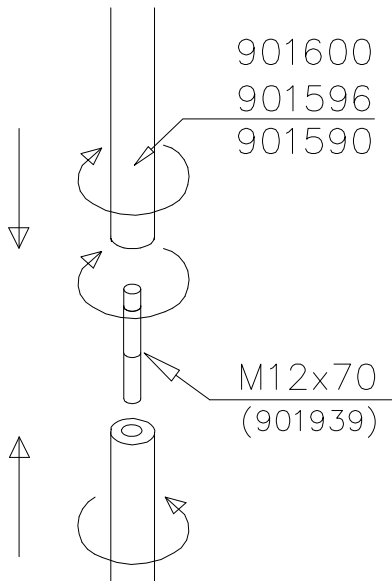
DET 1



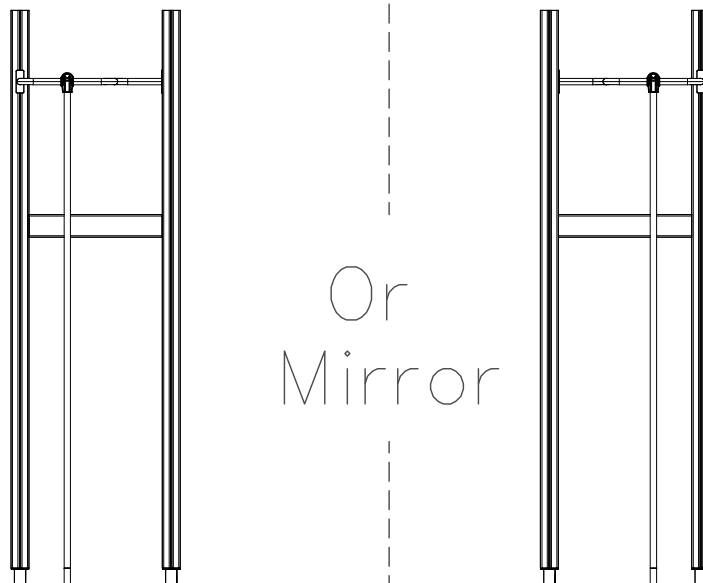
DET 2



DET 3



DET 4

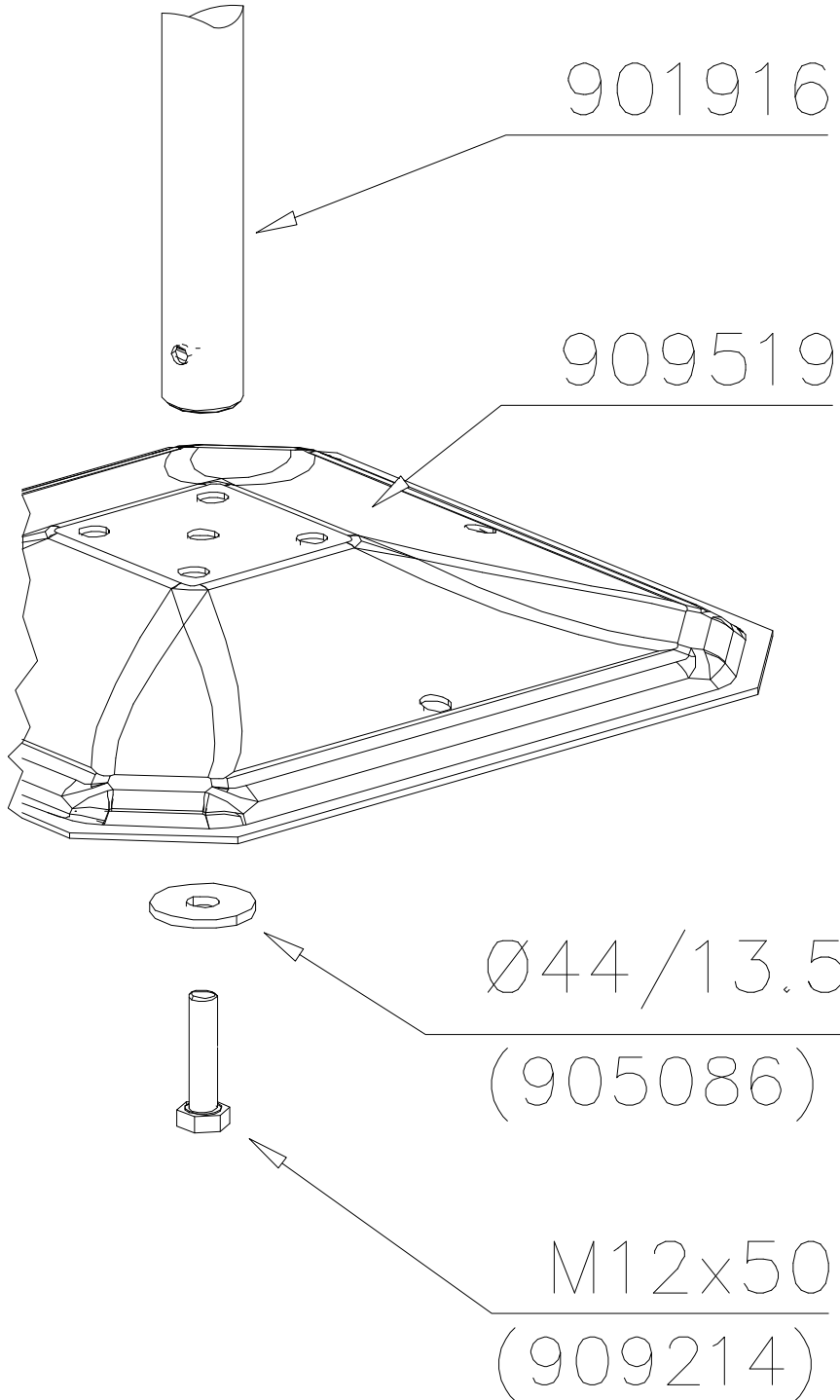
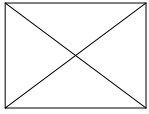


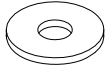
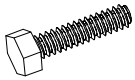
LAPPSET® DEEP FOUNDATION

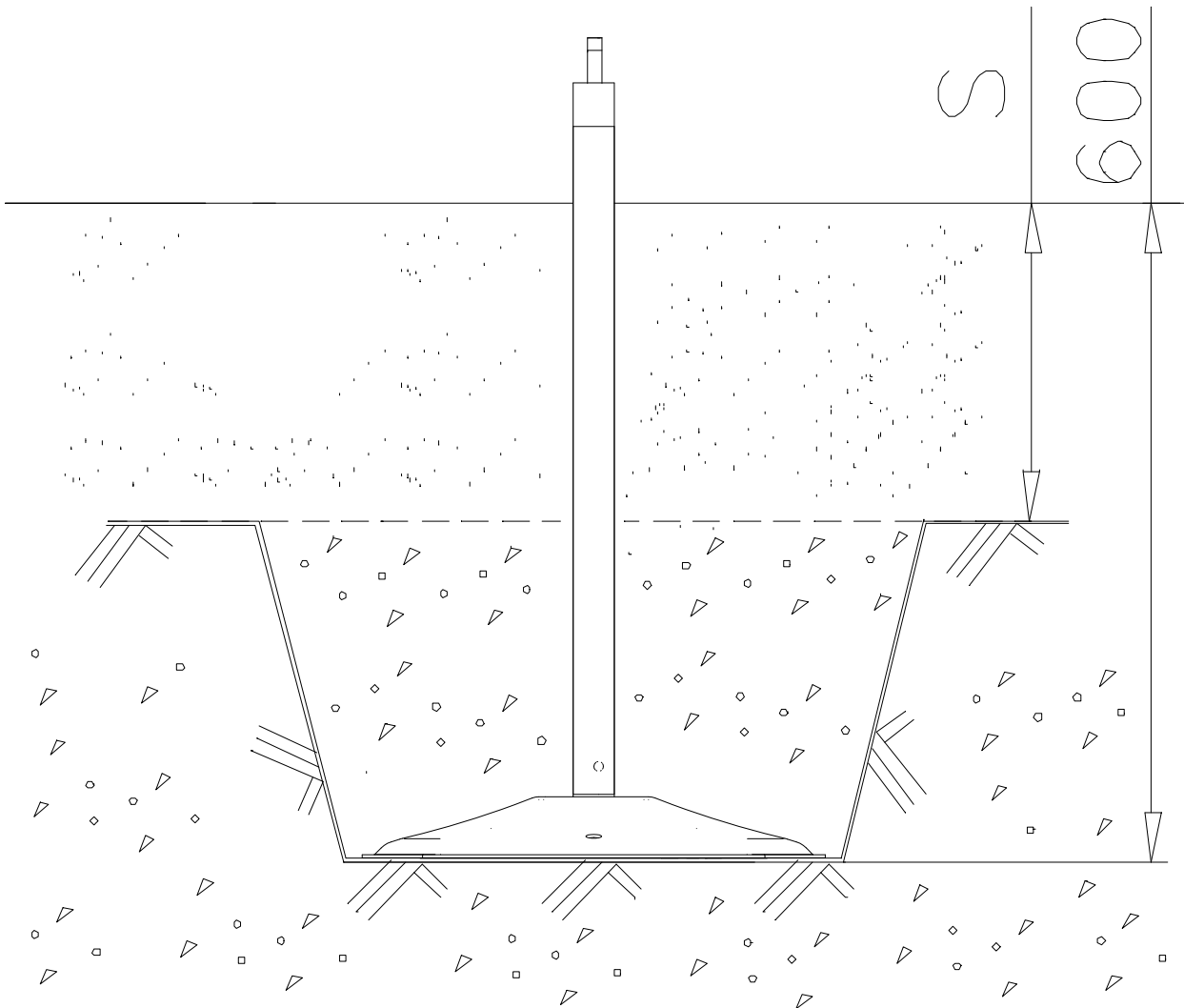
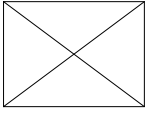
POLE

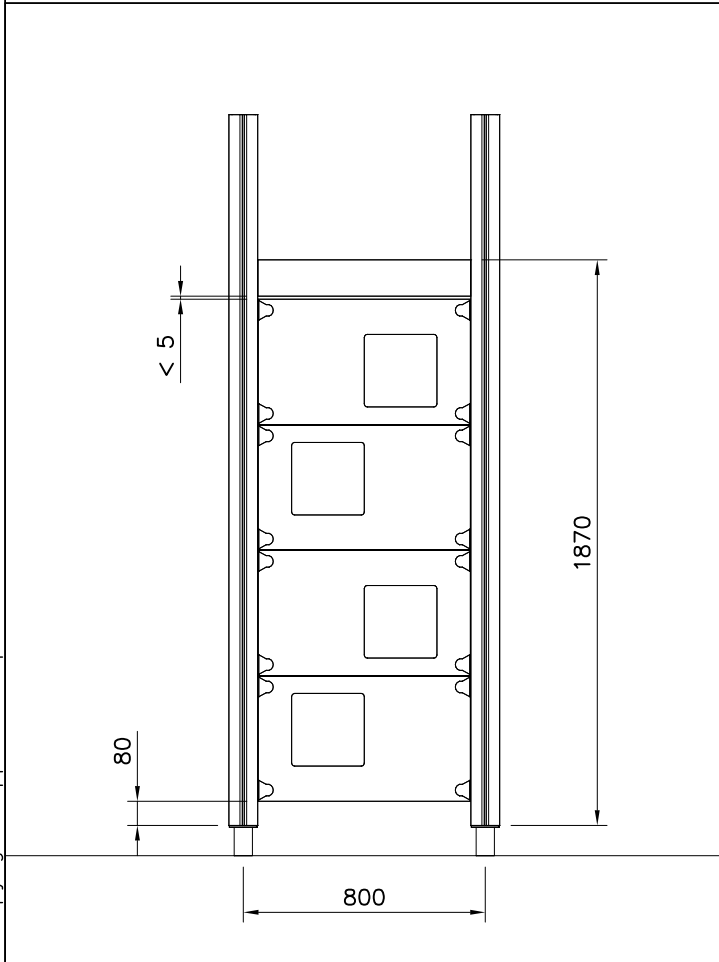
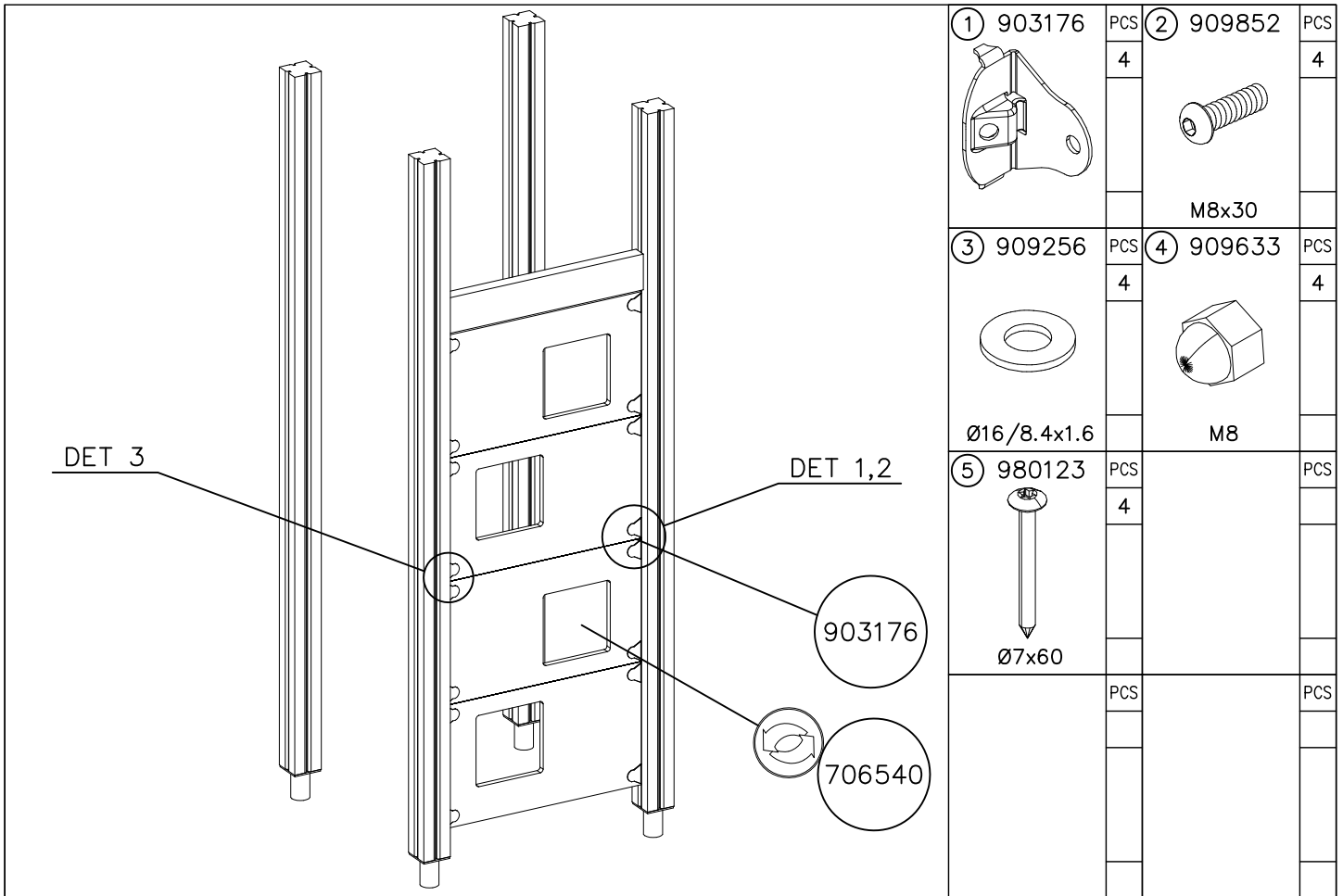
DATE: 15.5.2014

1(1)



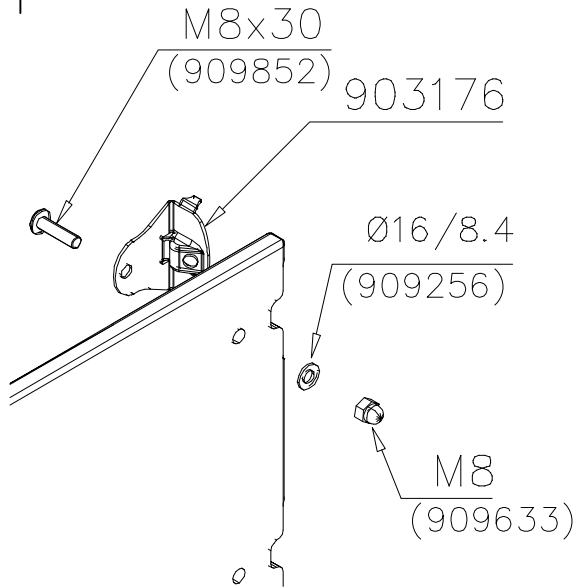
| ① | 905086 | PCS | ② | 909214 | PCS |
|---|---|-----|---|--------|-----|
| |  | 1 |  | | 1 |
| | Ø44/13.5 | | M12x50 | | |
| | | PCS | | | PCS |
| | | | | | |
| | | PCS | | | PCS |
| | | | | | |
| | | PCS | | | PCS |
| | | | | | |
| | | PCS | | | PCS |
| | | | | | |
| | | PCS | | | PCS |
| | | | | | |
| | | PCS | | | PCS |
| | | | | | |
| | | PCS | | | PCS |
| | | | | | |



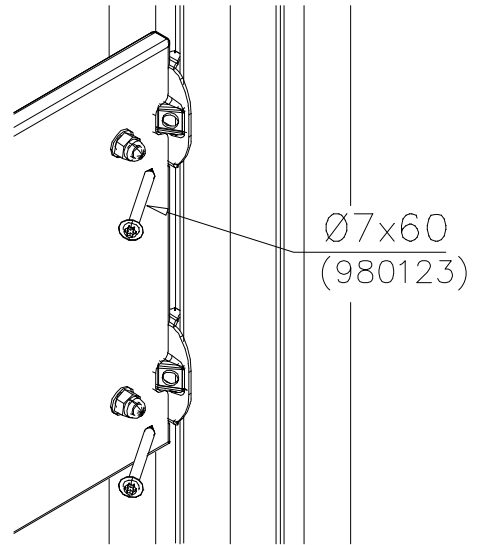


| WALL OPTIONS | | |
|--------------|------------|------------|
| 706540 | 706540-701 | BLUE |
| | 706540-702 | YELLOW |
| | 706540-703 | LIME |
| | 706540-704 | DARK GRAY |
| | 706540-705 | LIGHT GRAY |
| | 706540-706 | RED |
| | 706540-707 | GREEN |
| | 706540-708 | FUXIA |
| | | |
| 20x702x415 | | |

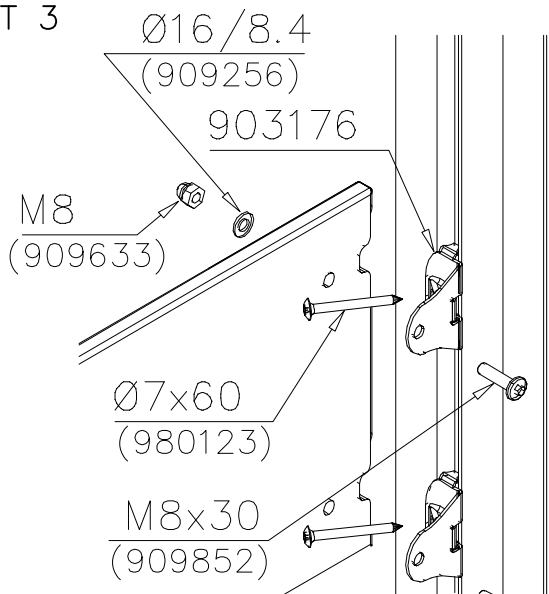
DET 1

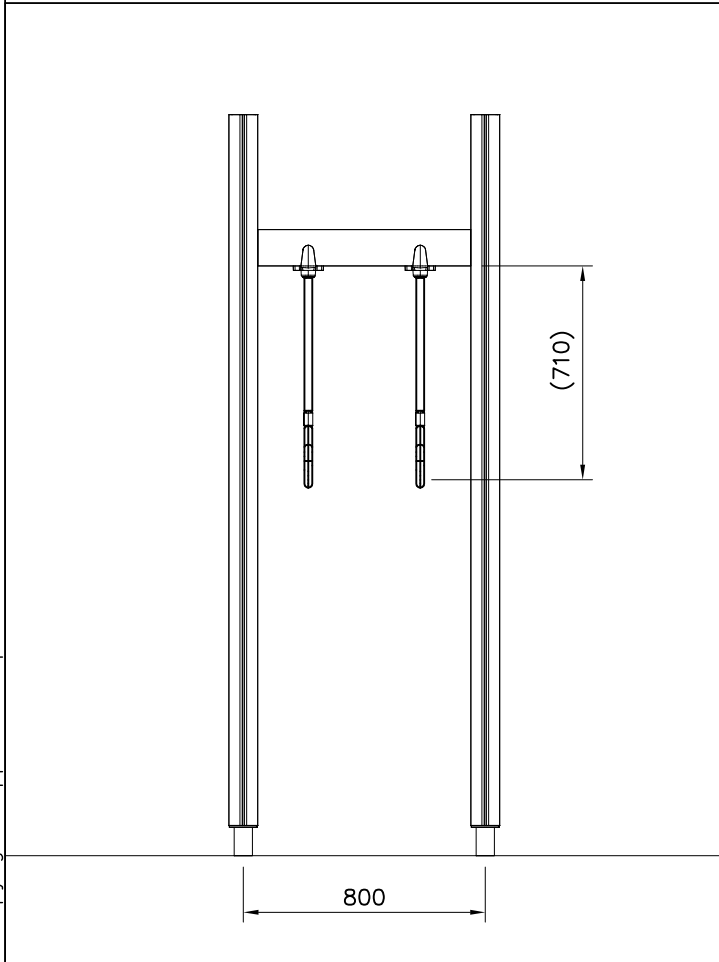
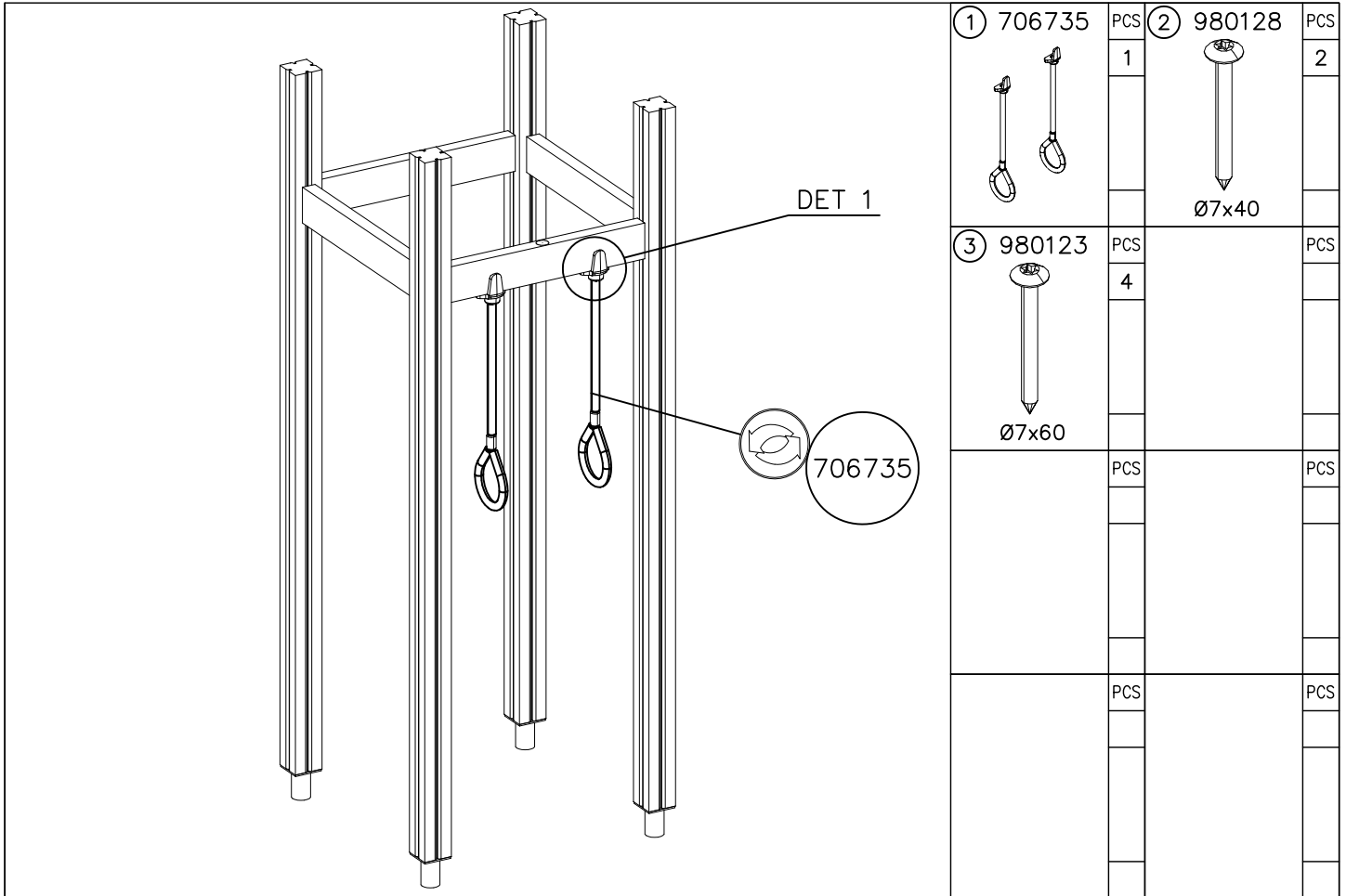


DET 2

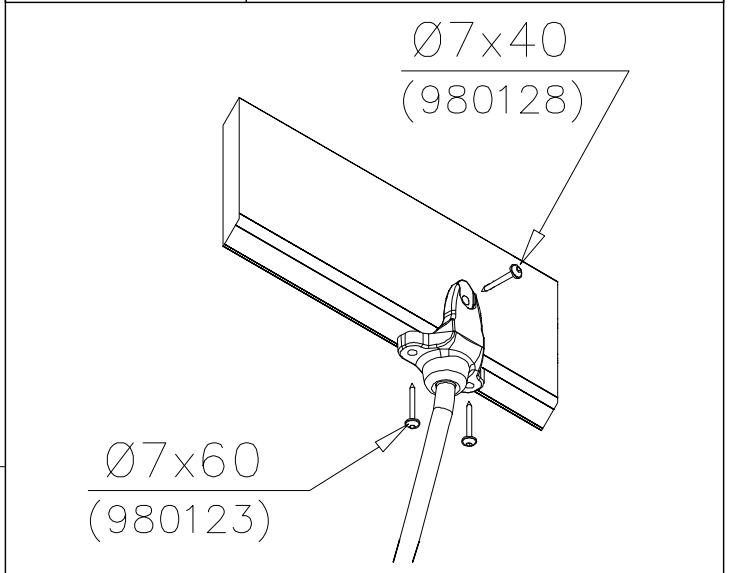


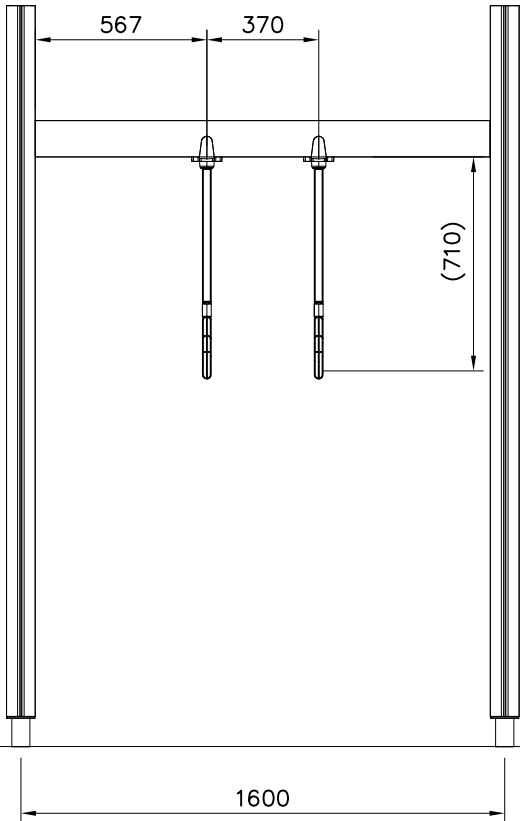
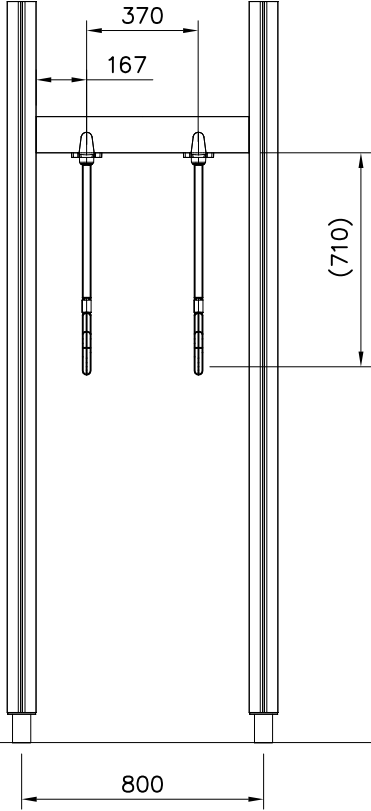
DET 3

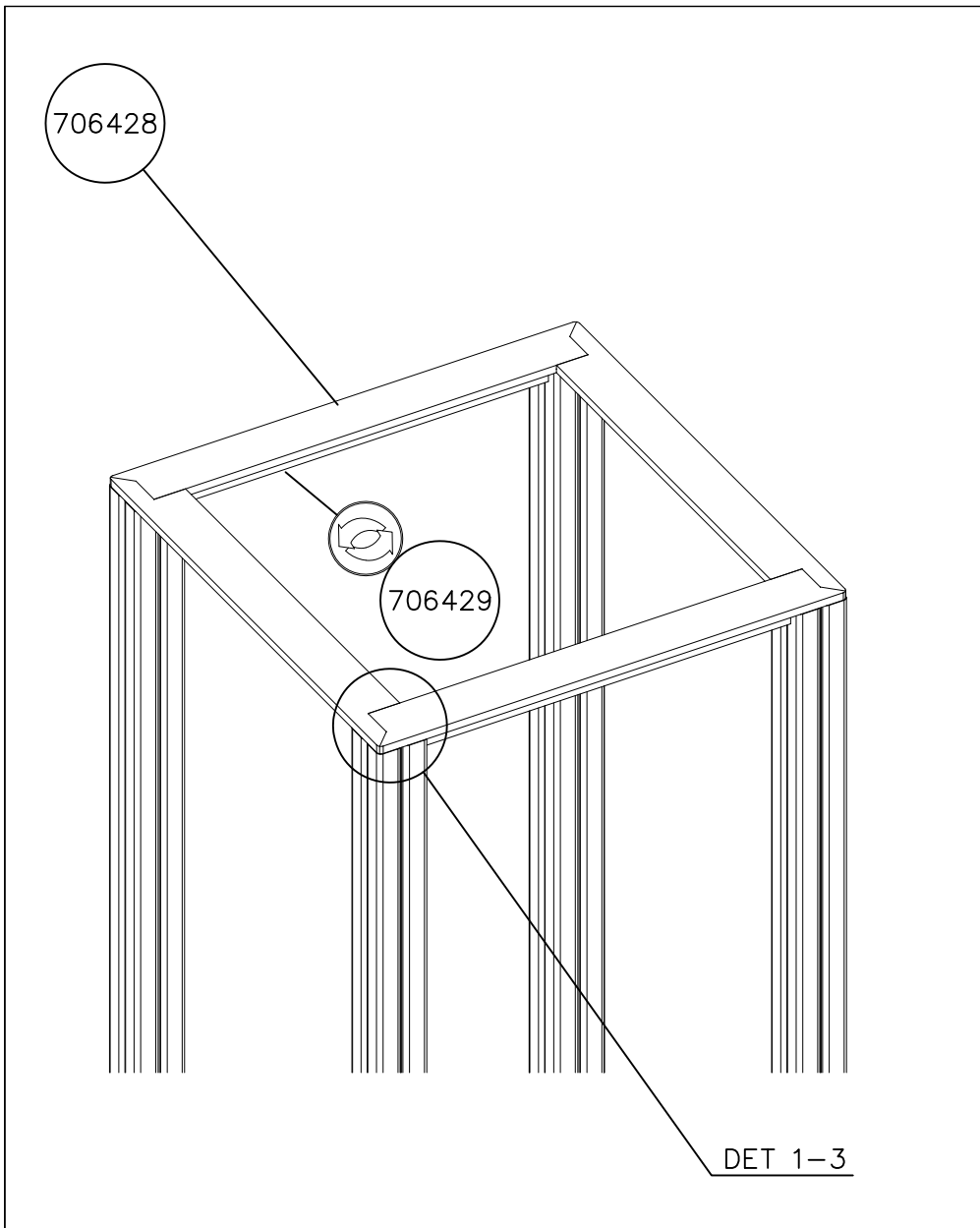


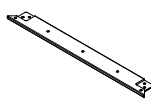
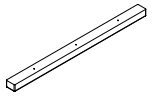
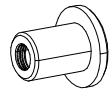
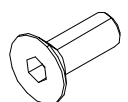

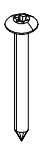


| RINGS OPTIONS | | |
|---------------|------------|--------|
| 706735 | 706735-301 | BLUE |
| | 706735-302 | RED |
| | 706735-303 | BEIGE |
| | 706735-304 | GRAY |
| | 706735-305 | BLACK |
| | 706735-306 | YELLOW |



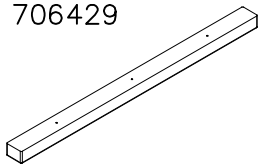




| | | | |
|---|-----|---|-----|
| ① 706428 | PCS | ② 706429 | PCS |
|  | 4 |  | 4 |
| 15x93x888.5 | | 32x45x705 | |
| ③ 900850 | PCS | ④ 907911 | PCS |
|  | 8 |  | 8 |
| M6 | | M6x12 | |
| ⑤ 980123 | PCS | ⑥ 980128 | PCS |
|  | 8 |  | 12 |
| Ø7x60 | | Ø7x40 | |
| | PCS | | PCS |
| | | | |
| | PCS | | PCS |
| | | | |

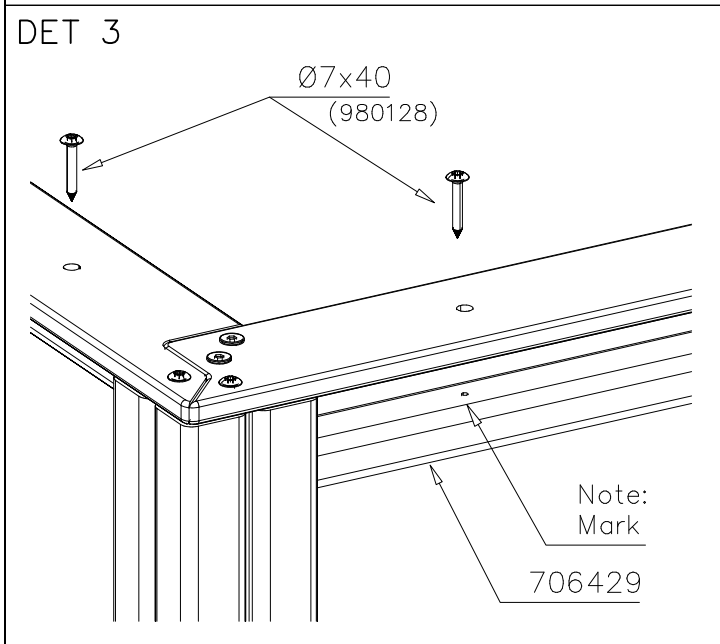
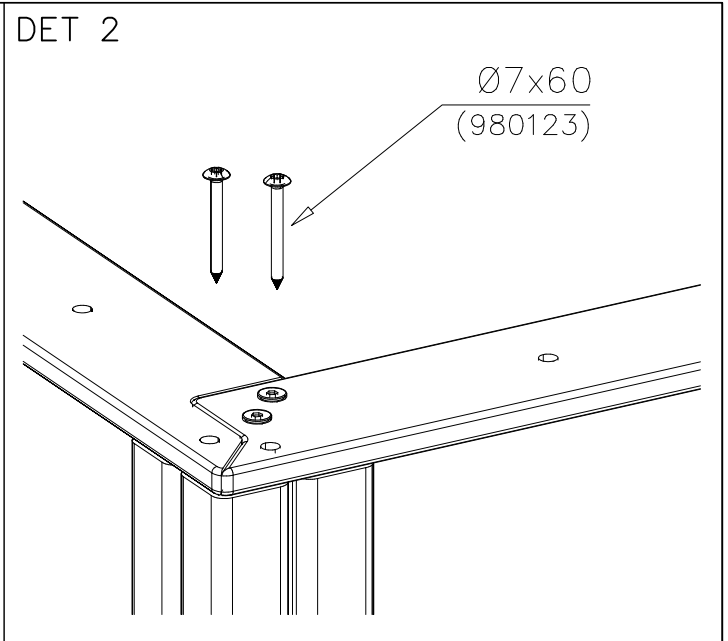
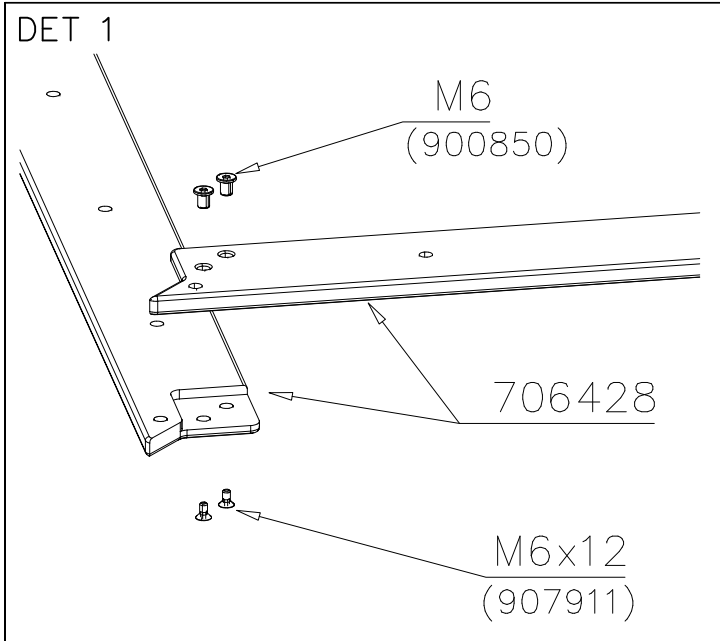
STRIP OPTIONS

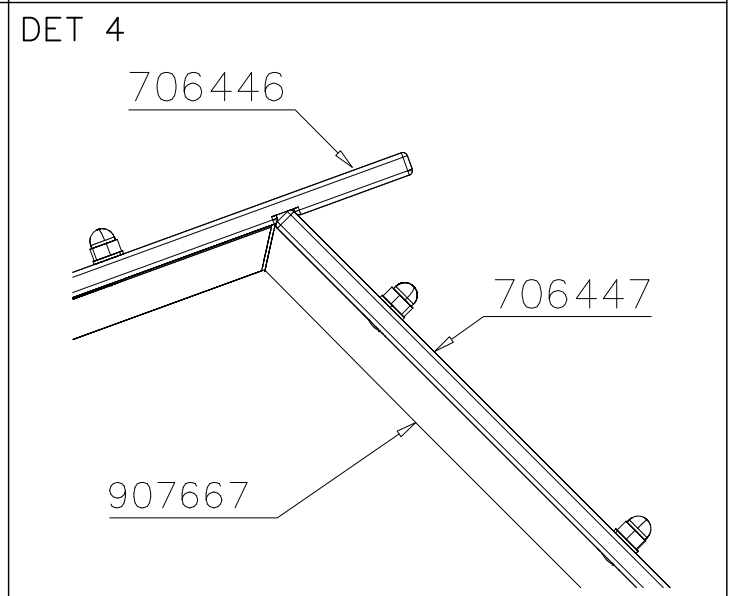
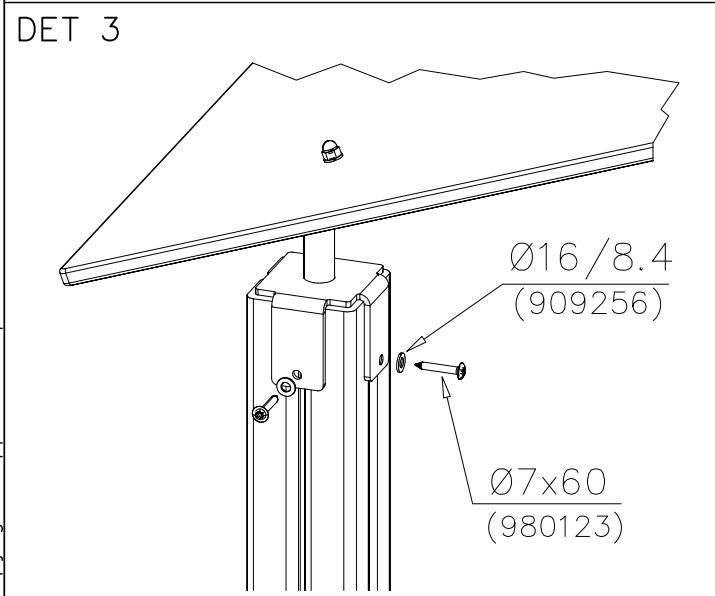
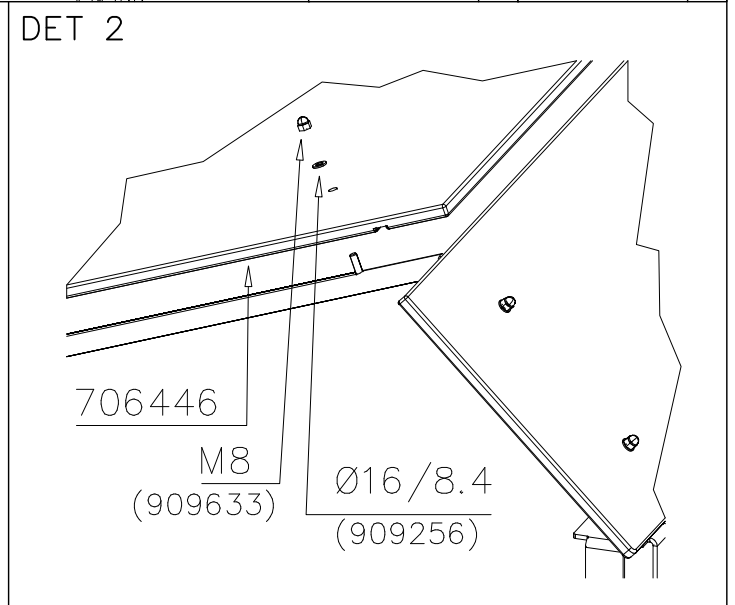
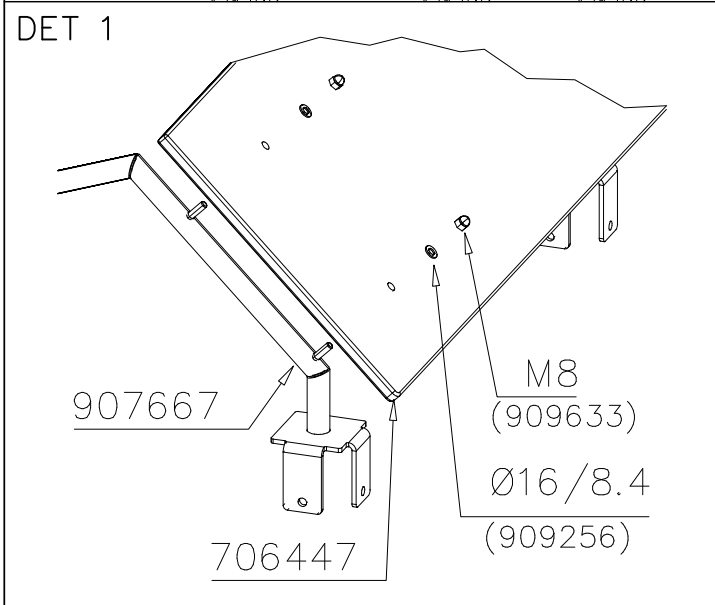
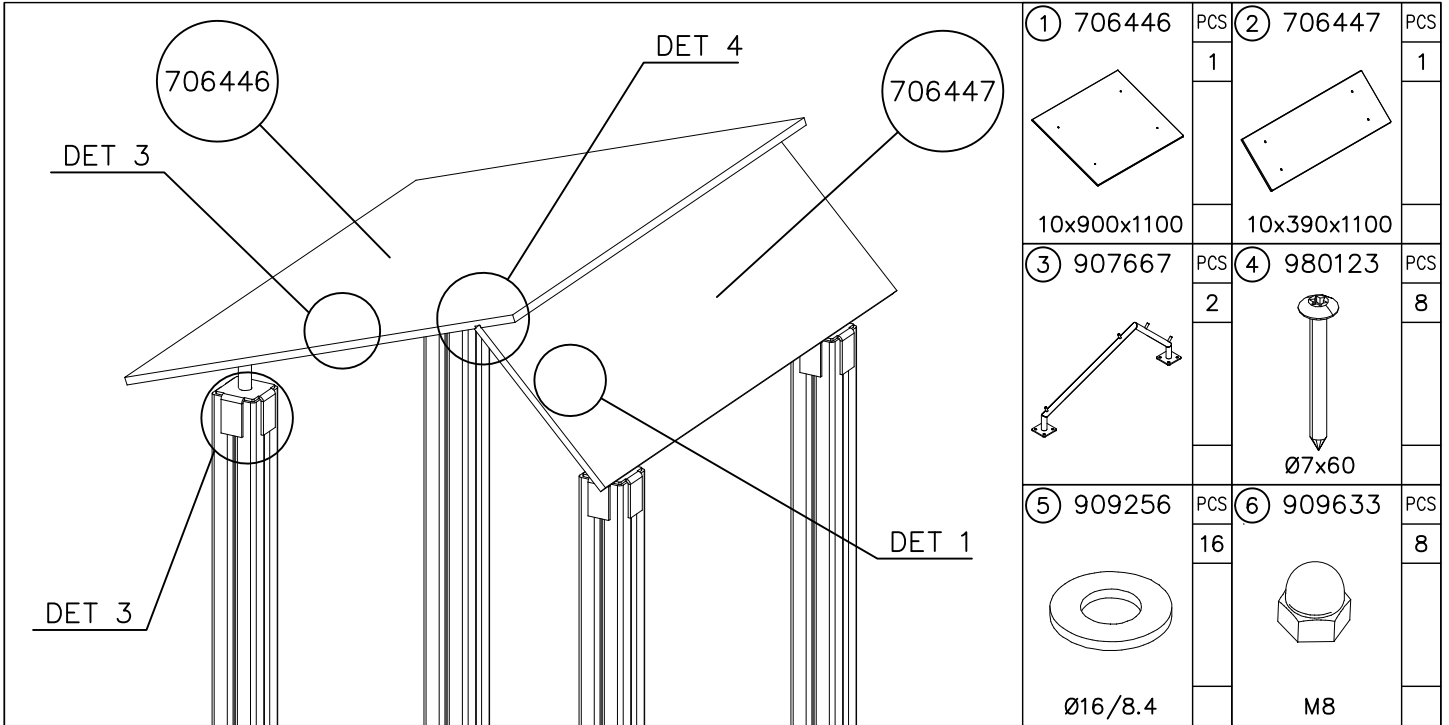
706429

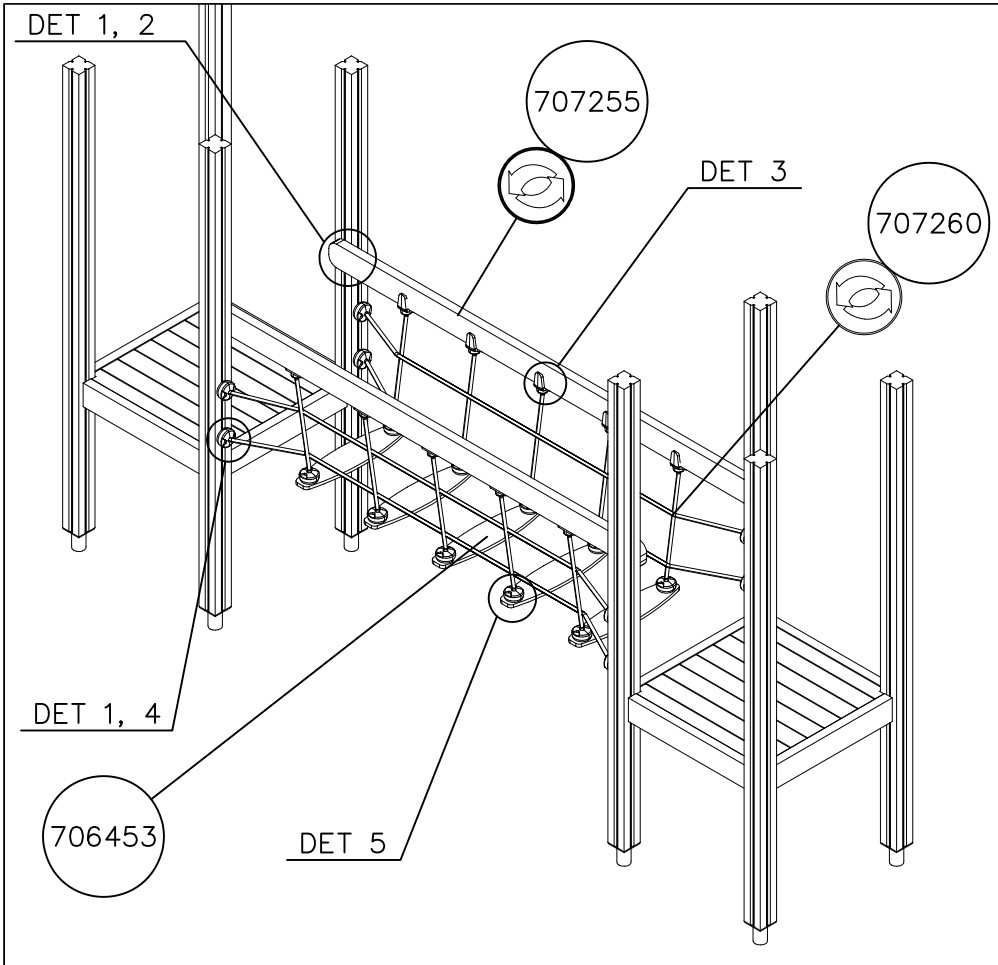


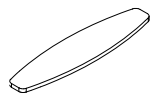
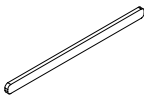
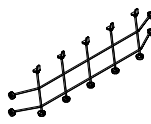
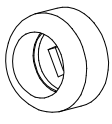
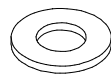

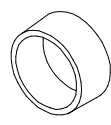

32x45x705

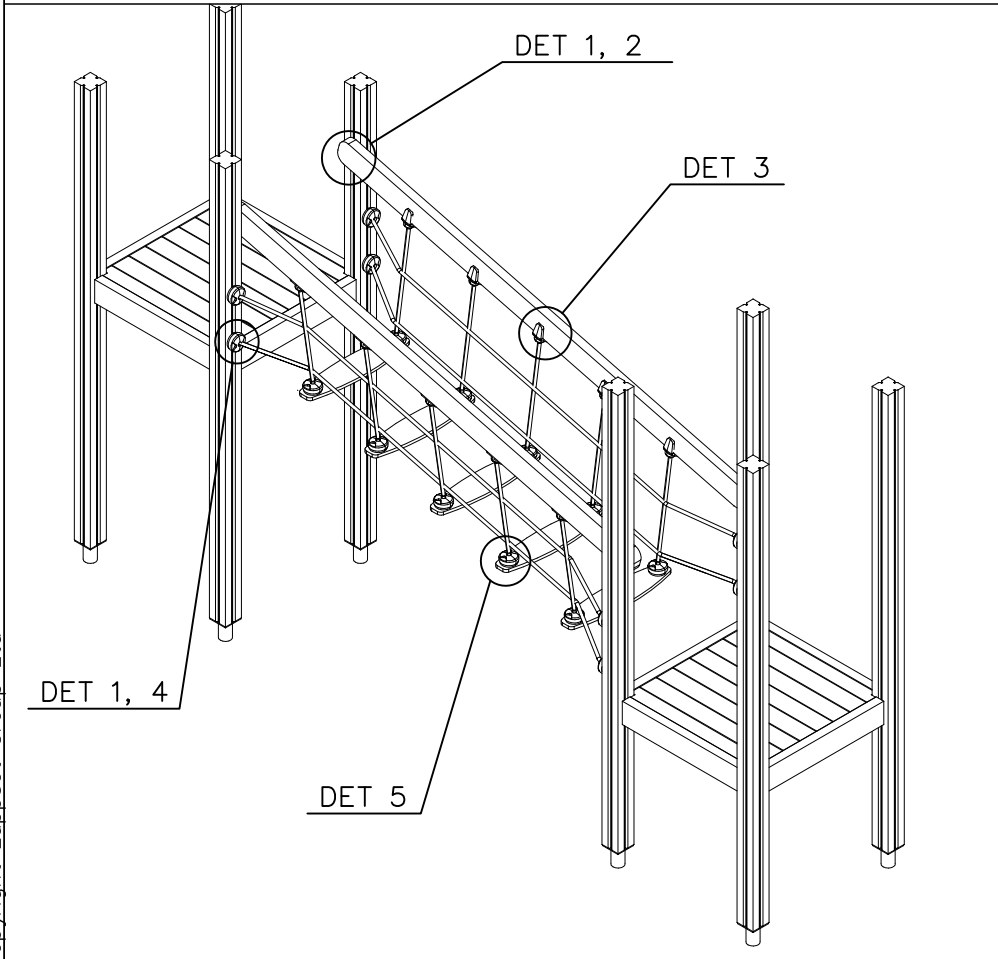
| | |
|------------|-------------|
| 706429-602 | DARK BROWN |
| 706429-603 | LIGHT BROWN |
| 706429-604 | LIGHT GRAY |


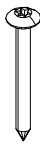
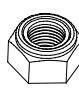
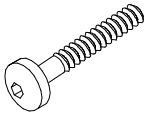


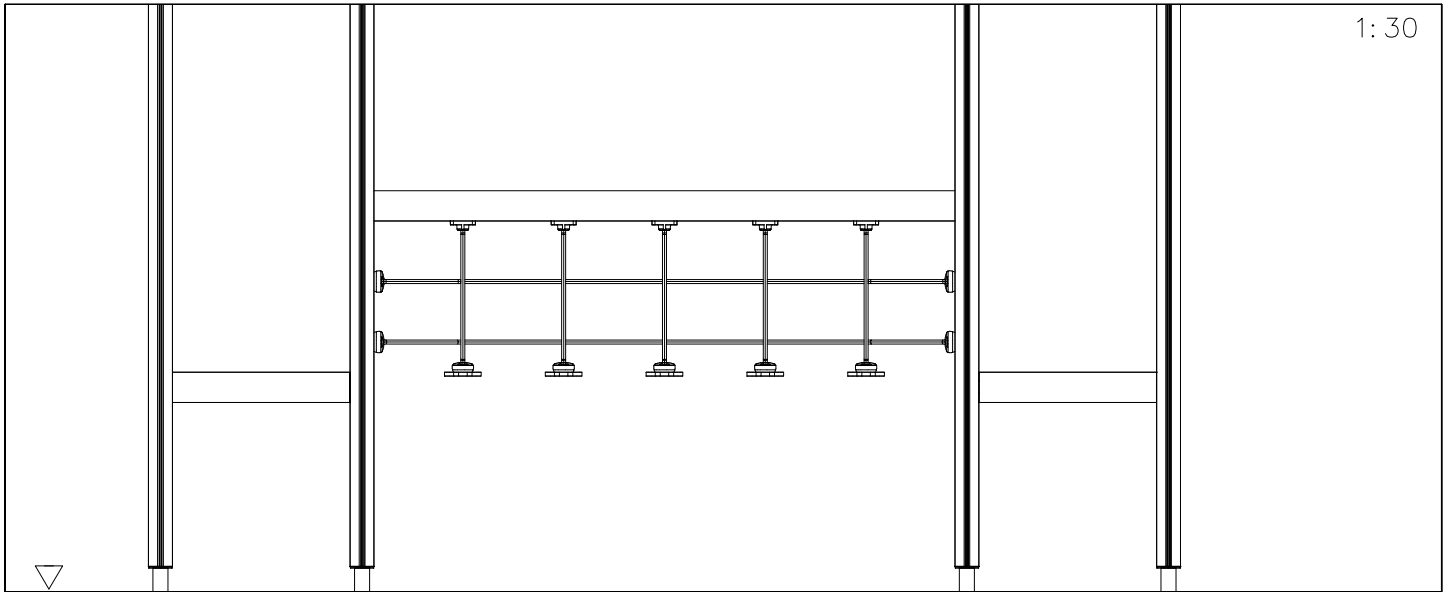




| | | | |
|---|-----|---|-----|
| ① 706453 | PCS | ② 707255 | PCS |
|  | 5 |  | 2 |
| 15x145x600 | | 45x120x2480 | |
| ③ 707260 | PCS | ④ 905083 | PCS |
|  | 2 |  | 4 |
| 2375x600 | | Ø32 | |
| ⑤ 980151 | PCS | ⑥ 909232 | PCS |
|  | 4 |  | 4 |
| Ø16/8.4 | | 8x120 | |
| ⑦ 905112 | PCS | ⑧ 900240 | PCS |
|  | 4 |  | 16 |
| Ø22 | | Ø8x70 | |

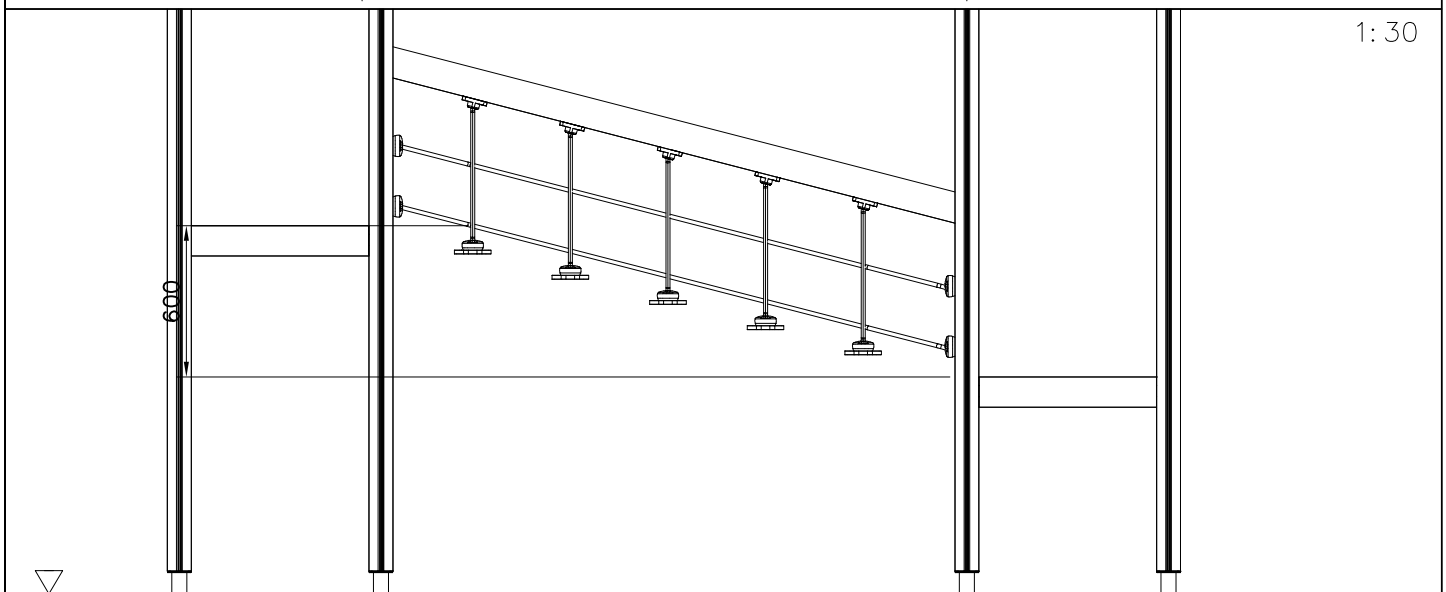


| | | | |
|---|-----|---|-----|
| ⑨ 980123 | PCS | ⑩ 980128 | PCS |
|  | 20 |  | 10 |
| Ø7x60 | | Ø7x40 | |
| ⑪ 980150 | PCS | ⑫ 901899 | PCS |
|  | 20 |  | 20 |
| M8 | | M8x45 | |
| | PCS | | PCS |
| | | | |
| | PCS | | PCS |
| | | | |



2400

1:30

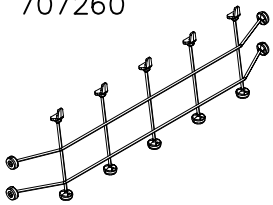


2320

1:30

NET OPTIONS

707260

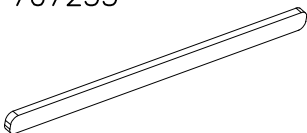


2375x600

- 707260-301 BLUE
- 707260-302 RED
- 707260-303 BEIGE
- 707260-304 GRAY
- 707260-305 BLACK
- 707260-306 YELLOW

RAILING OPTIONS

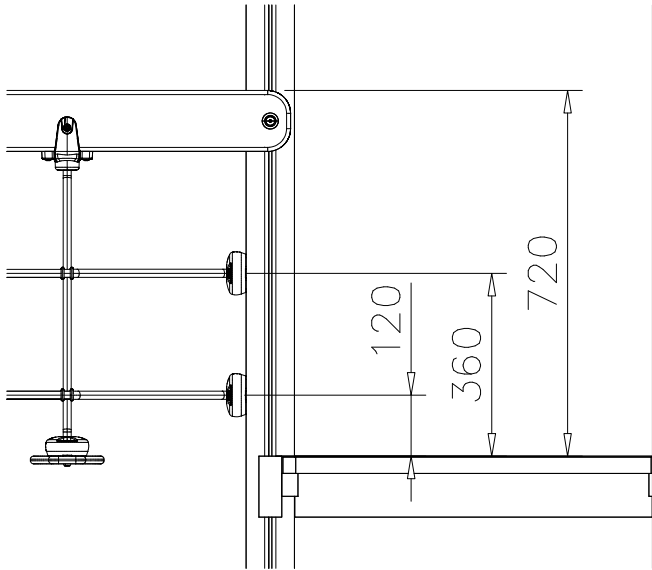
707255



45x120x2480

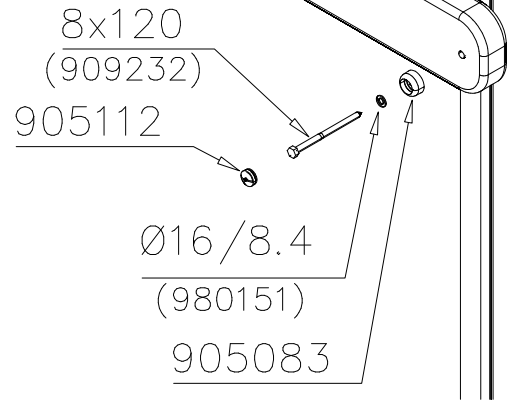
- 707255-605 DARK GRAY
- 707255-606 GRAY
- 707255-607 RED
- 707255-608 BLUE
- 707255-609 GREEN
- 707255-610 YELLOW
- 707255-611 LIME
- 707255-612 FUXIA

DET 1

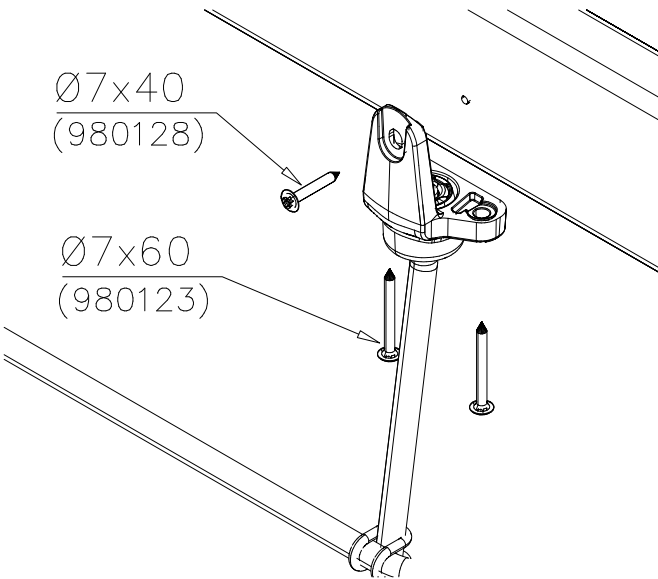


DET 2

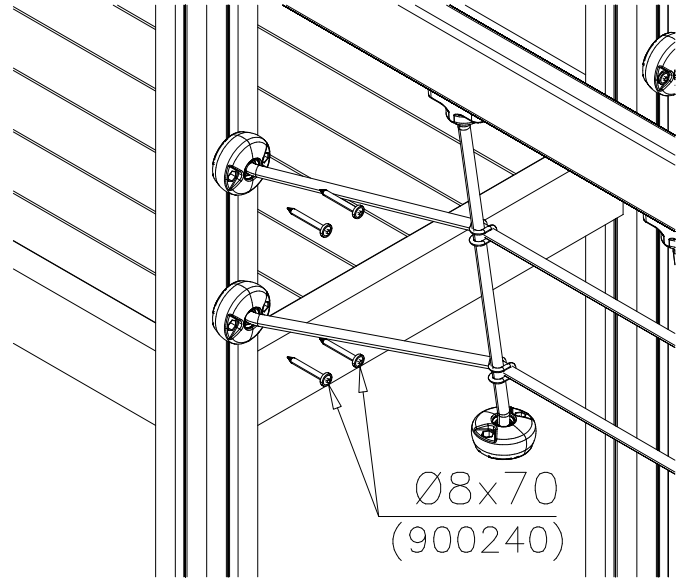
Note:
in side
Bridge



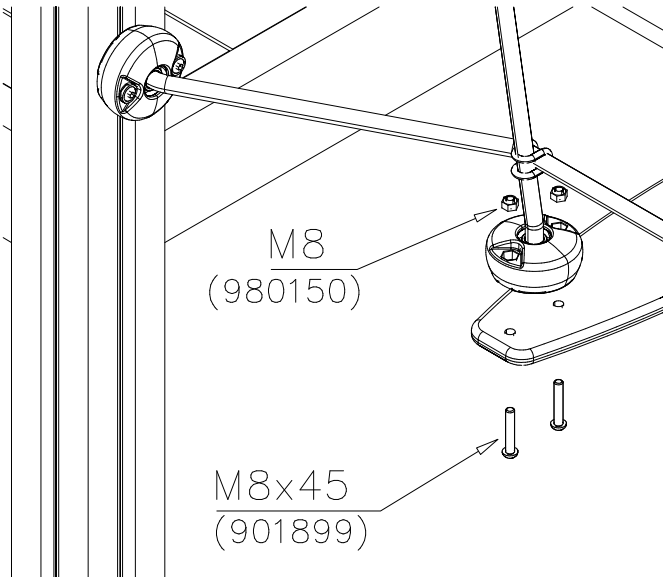
DET 3



DET 4

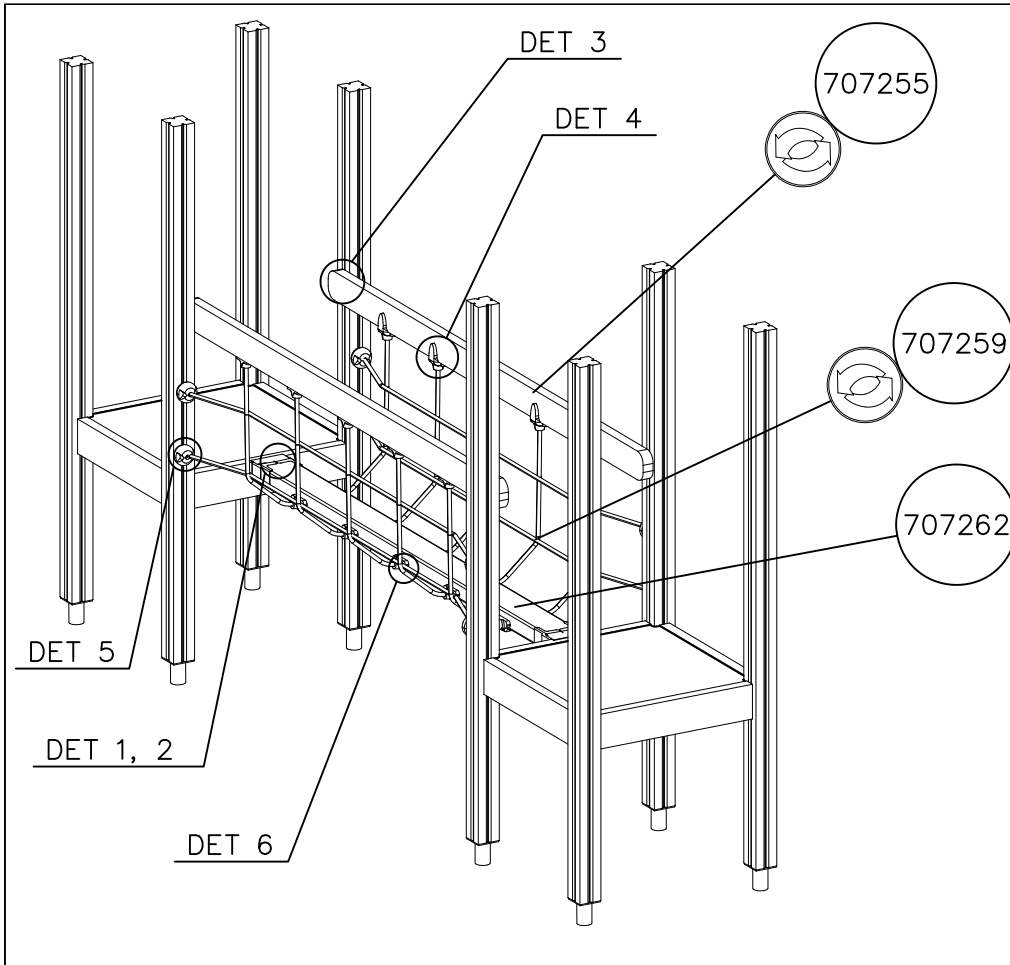


DET 5

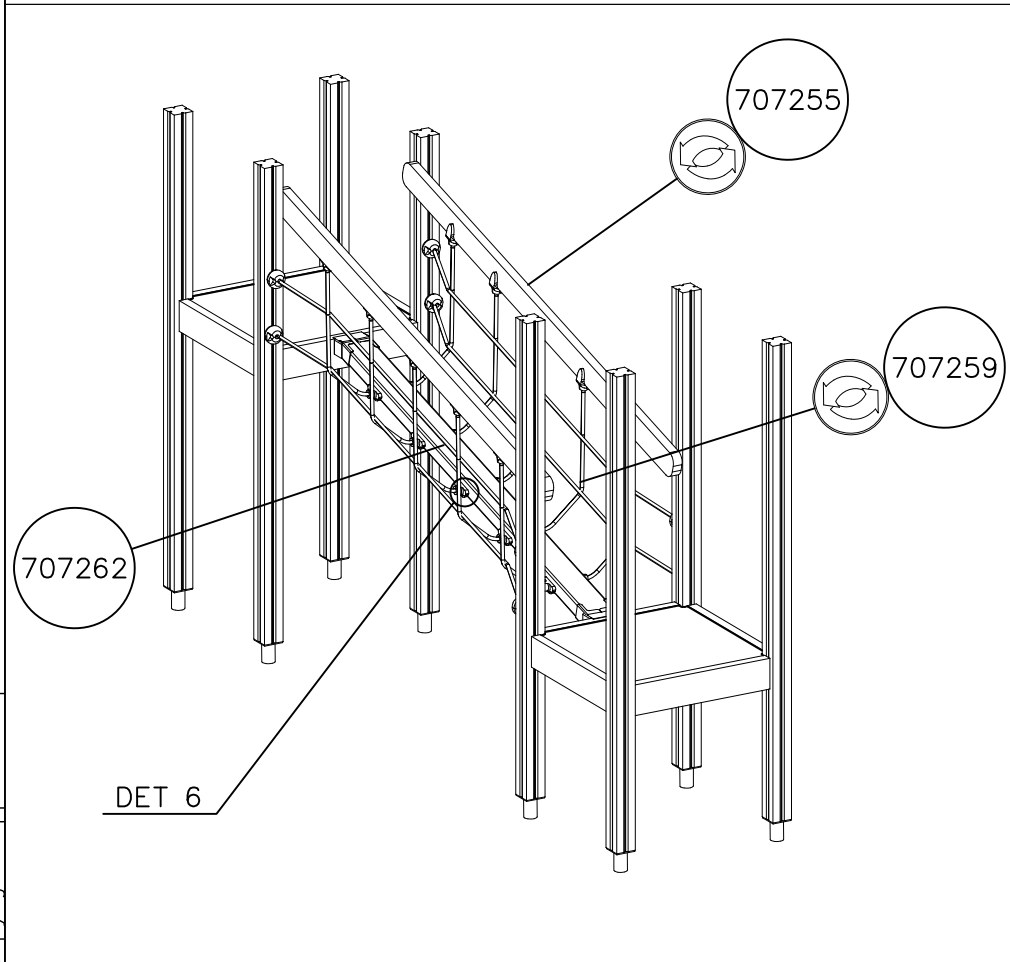


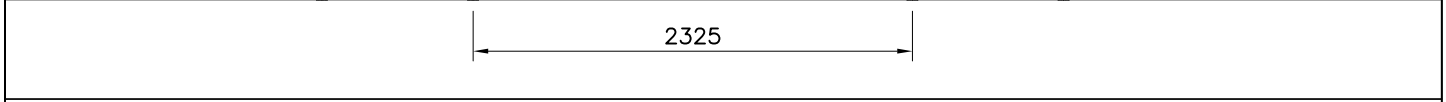
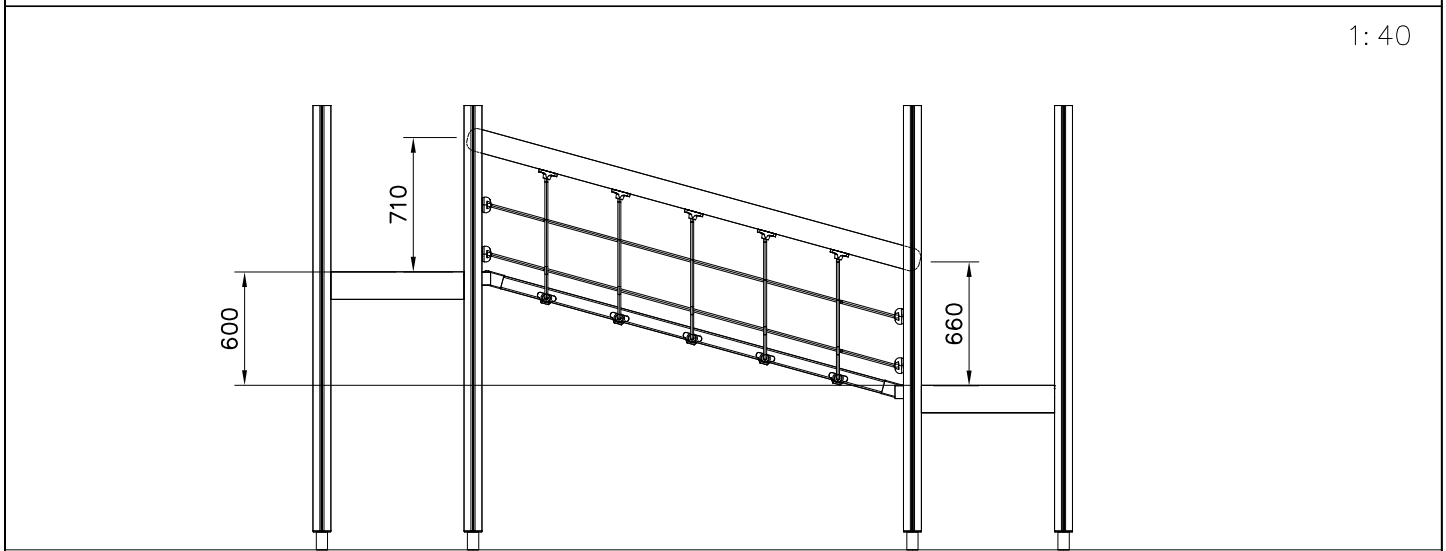
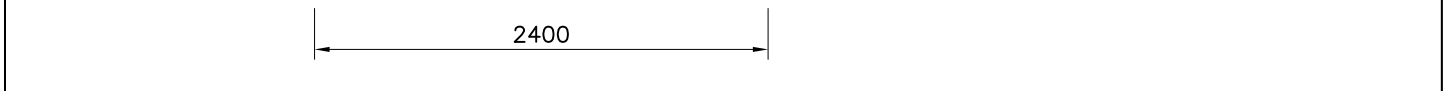
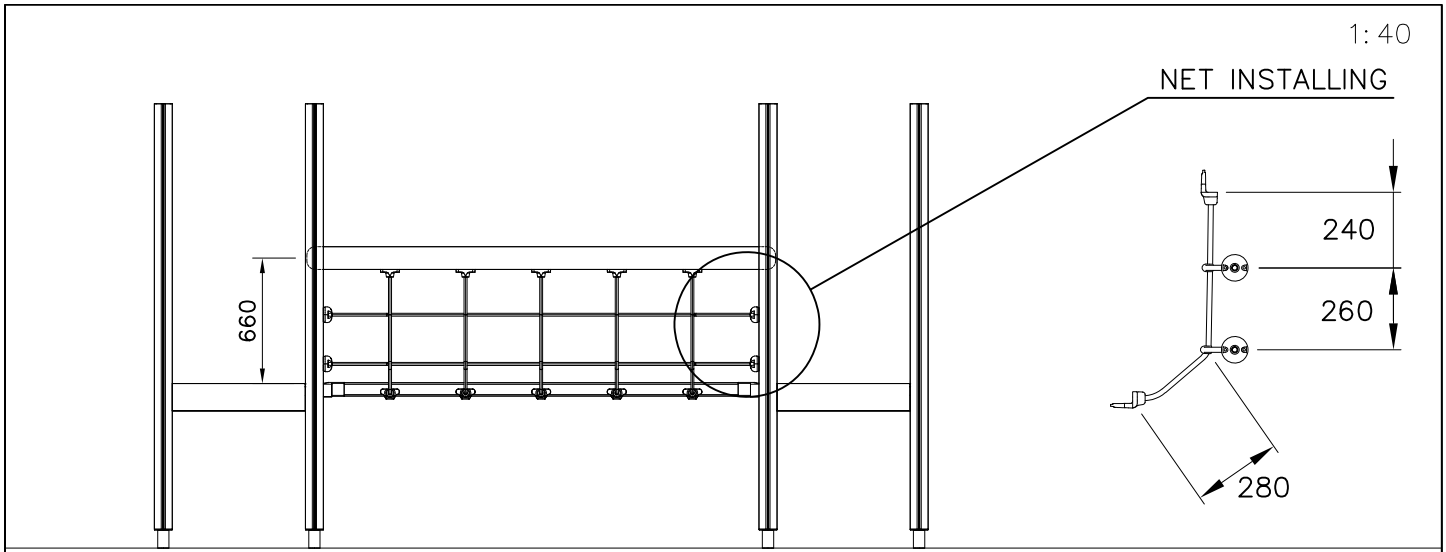
DET 6





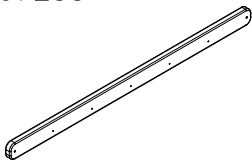
| | | | |
|-------------|-----|----------|-----|
| ① 707255 | PCS | ② 707259 | PCS |
| | 2 | | 2 |
| 45x120x2480 | | 2340x800 | |
| ③ 707262 | PCS | ④ 980123 | PCS |
| | 1 | | 40 |
| | | Ø7x60 | |
| ⑤ 980128 | PCS | ⑥ 909232 | PCS |
| | 28 | | 4 |
| Ø7x40 | | 8x120 | |
| ⑦ 900240 | PCS | ⑧ 980151 | PCS |
| | 16 | | 4 |
| 8x70 | | Ø16/8.4 | |
| ⑨ 905083 | PCS | ⑩ 905112 | PCS |
| | 4 | | 8 |
| Ø32 | | Ø22 | |
| | PCS | | PCS |
| | PCS | | PCS |
| | PCS | | PCS |





BOOM OPTIONS

707255

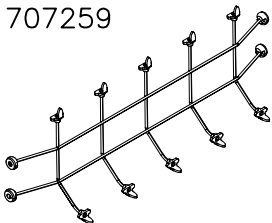


45x120x2480

| | | | |
|------------|-------------|------------|--------|
| 707255-602 | DARK BROWN | 707255-608 | BLUE |
| 707255-603 | LIGHT BROWN | 707255-609 | GREEN |
| 707255-604 | LIGHT GRAY | 707255-610 | YELLOW |
| 707255-605 | DARK GRAY | 707255-611 | LIME |
| 707255-606 | GRAY | 707255-612 | FUXIA |
| 707255-607 | RED | | |

NET OPTIONS

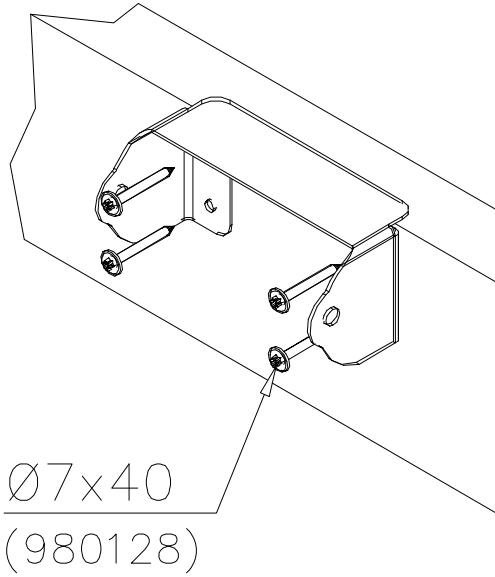
707259



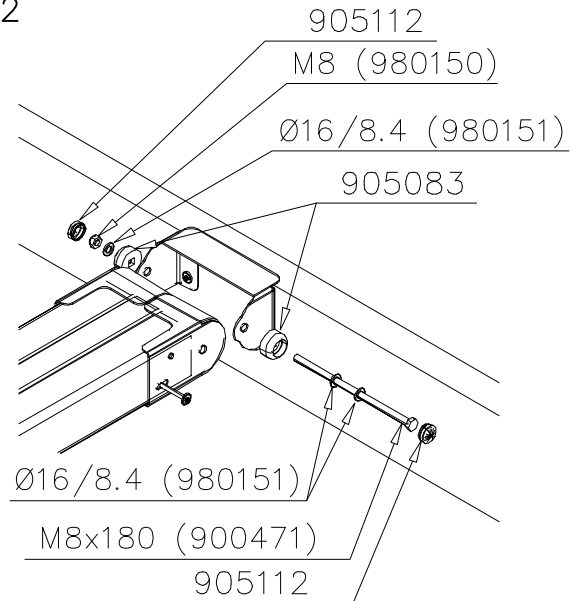
2340x800

| | |
|------------|--------|
| 707259-301 | BLUE |
| 707259-302 | RED |
| 707259-303 | BEIGE |
| 707259-304 | GRAY |
| 707259-305 | BLACK |
| 707259-306 | YELLOW |

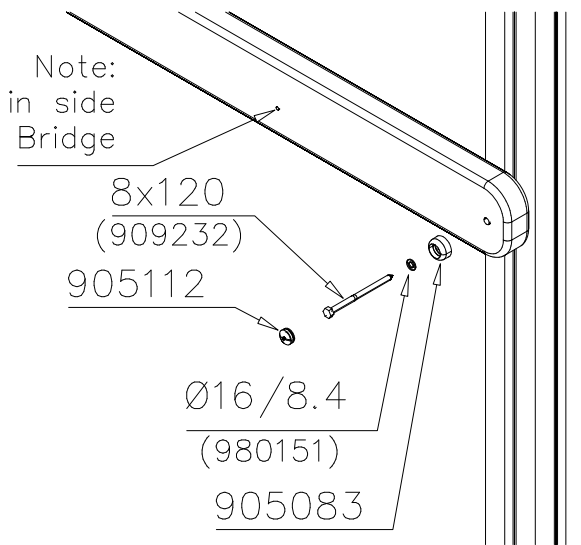
DET 1



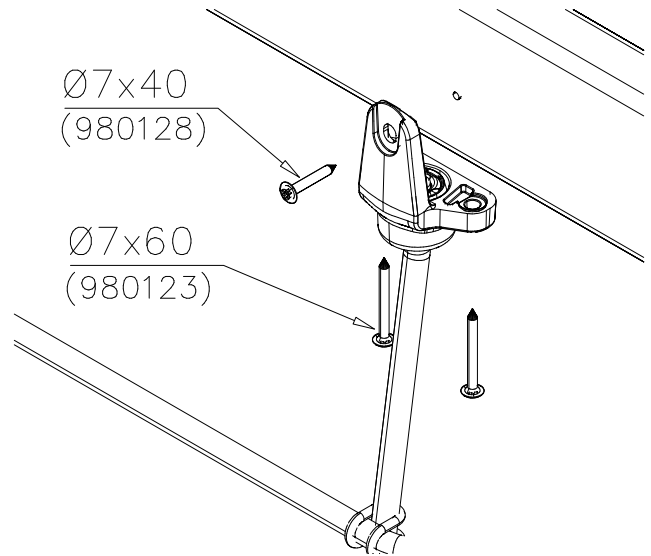
DET 2



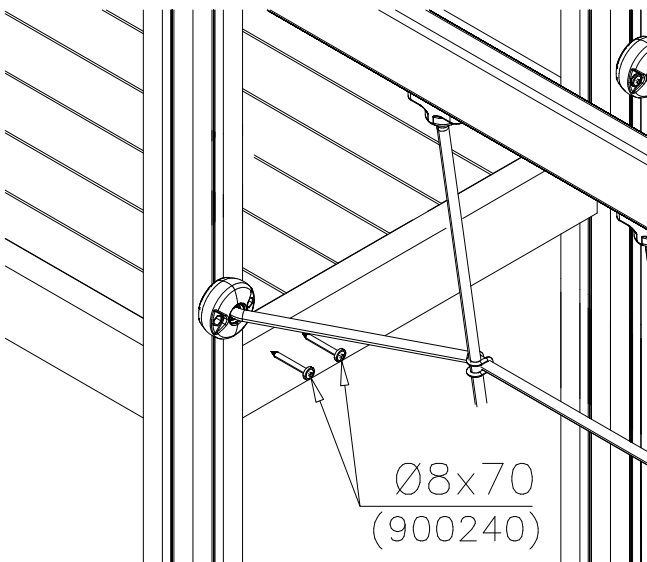
DET 3



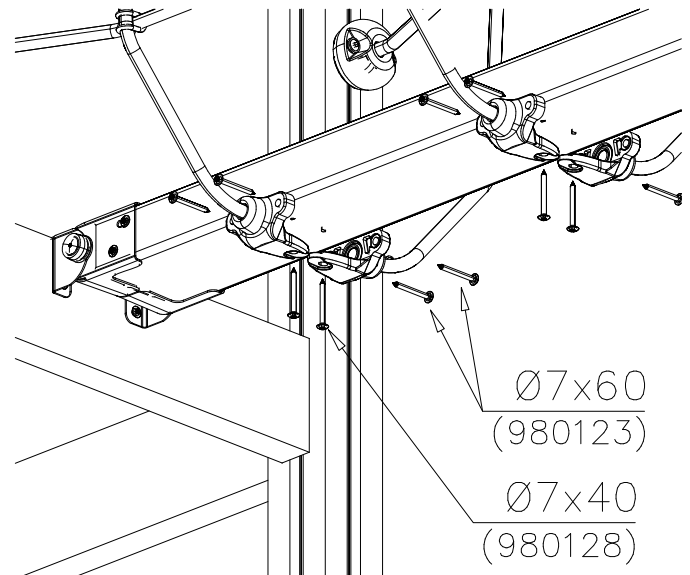
DET 4

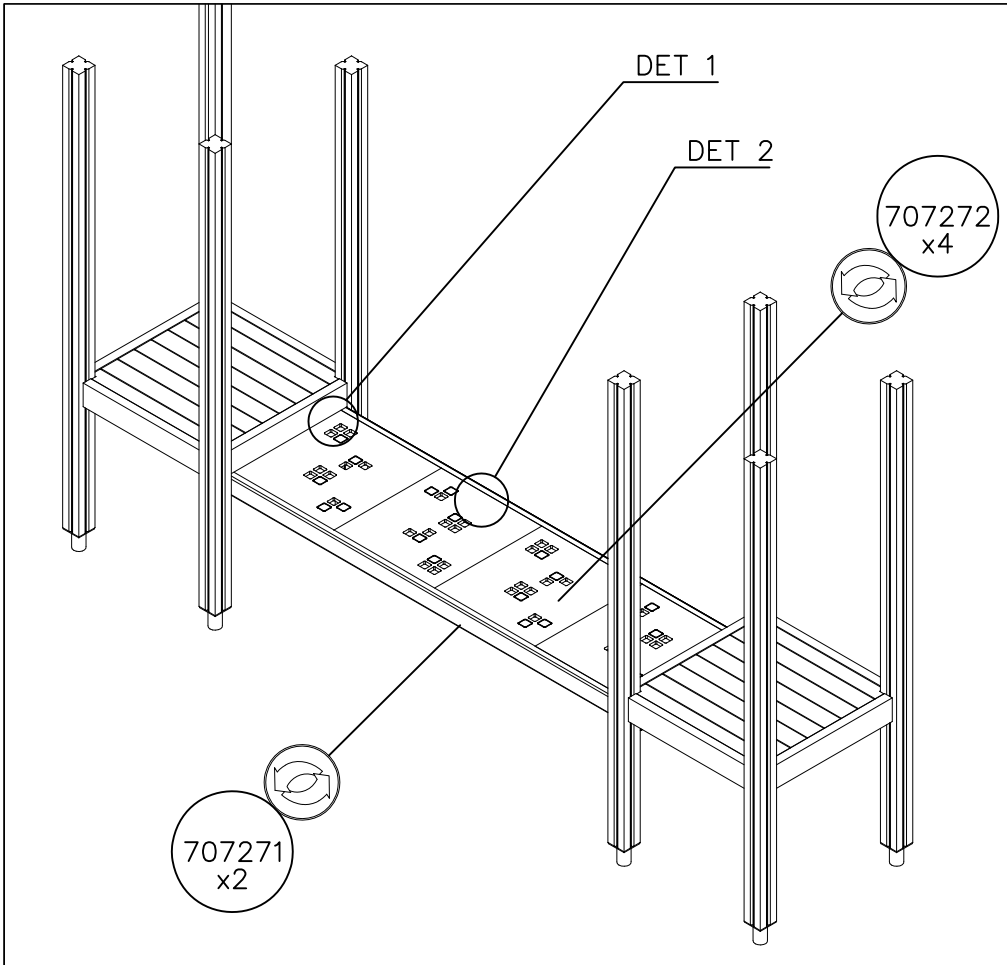


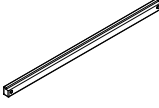
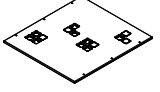

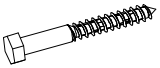
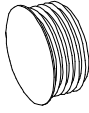

DET 5

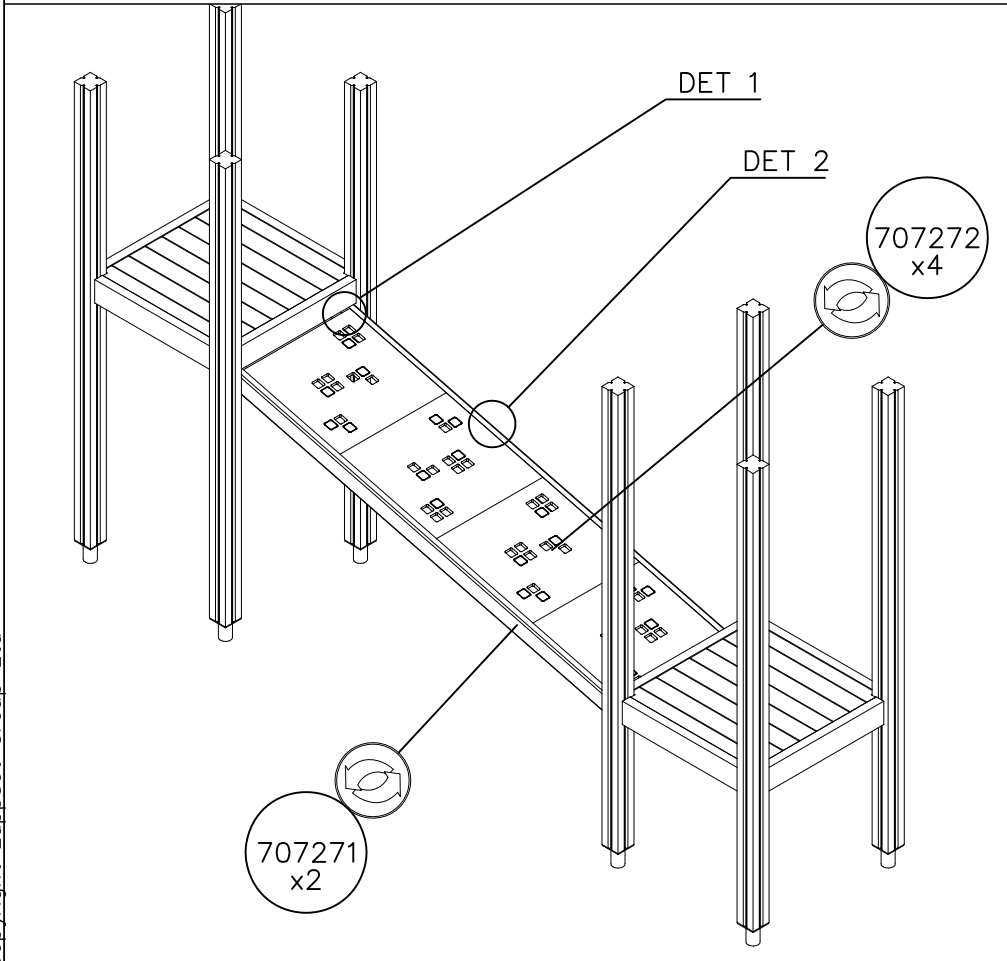


DET 6

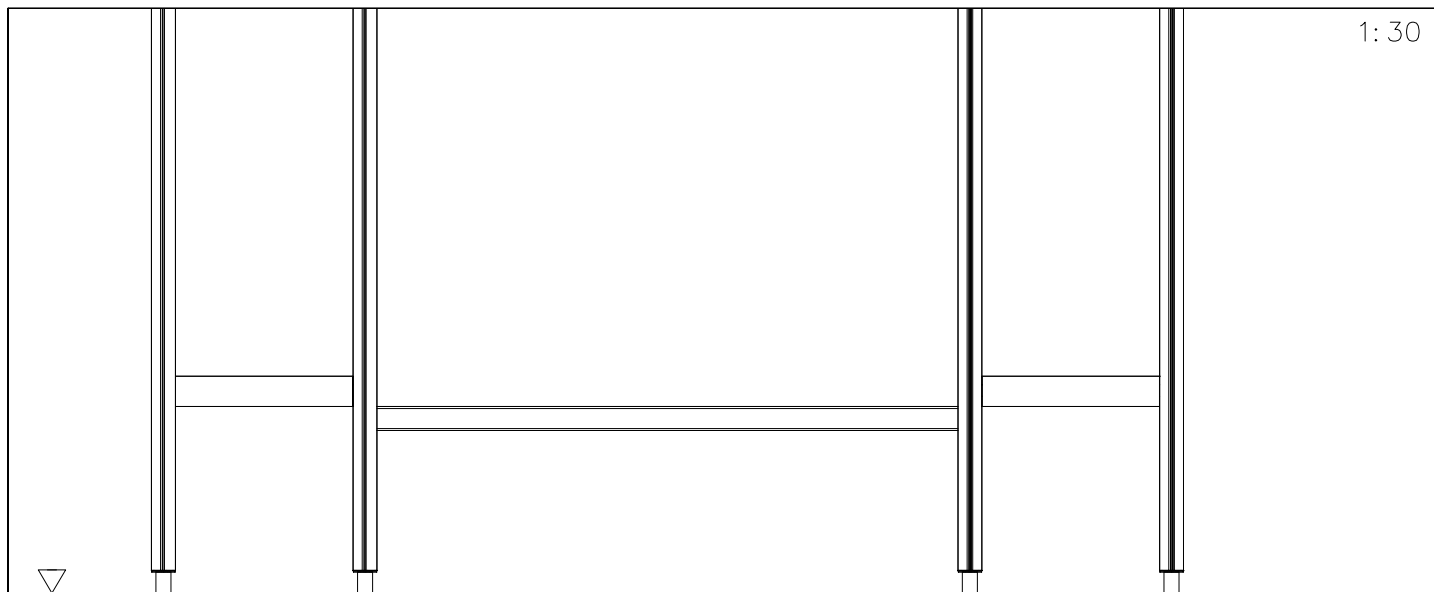




| | | | |
|---|-----|---|-----|
| ① 707271 | PCS | ② 707272 | PCS |
|  | 2 |  | 4 |
| 70x95x2480 | | 15x630x590 | |
| ③ 980154 | PCS | ④ 909224 | PCS |
|  | 4 |  | 4 |
| Ø24/13 | | 12x100 | |
| ⑤ 905103 | PCS | ⑥ 980123 | PCS |
|  | 4 |  | 24 |
| PT-28/32-H | | Ø7x60 | |
| | PCS | | PCS |

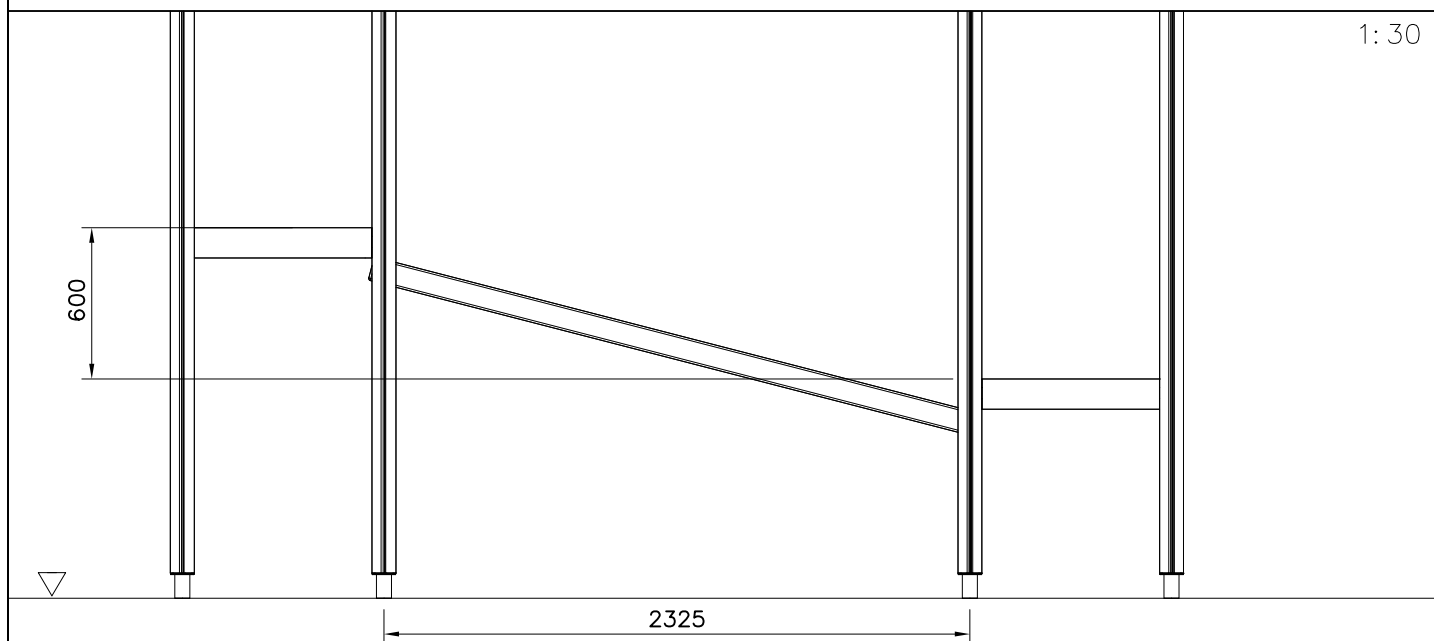


| | | | |
|--|-----|--|-----|
| | PCS | | PCS |
| | | | |
| | PCS | | PCS |
| | | | |
| | PCS | | PCS |
| | | | |
| | PCS | | PCS |
| | | | |



1:30

2400



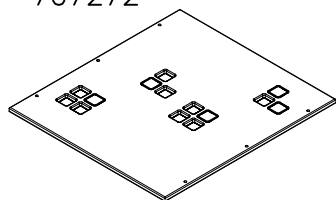
1:30

600

2325

PLATE OPTIONS

707272



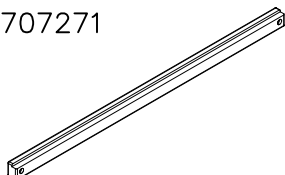
15x630x590

- 707272-701 BLUE
- 707272-702 YELLOW
- 707272-703 LIME
- 707272-704 DARK GRAY
- 707272-705 GRAY
- 707272-706 RED

- 707272-707 GREEN
- 707272-708 FUXIA

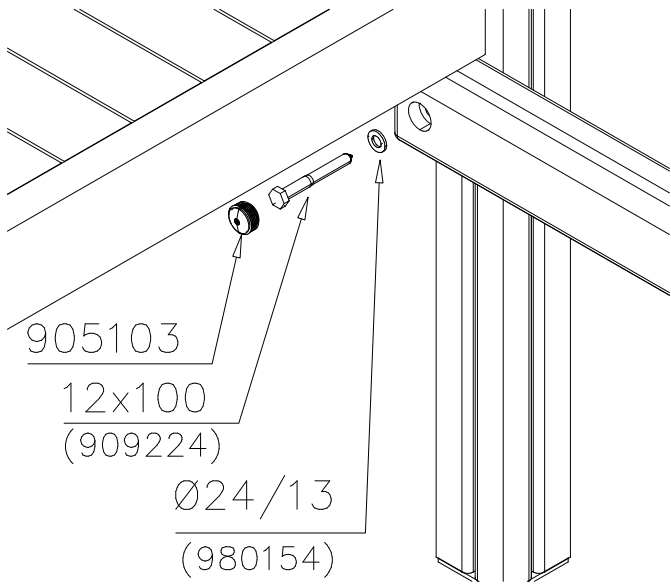
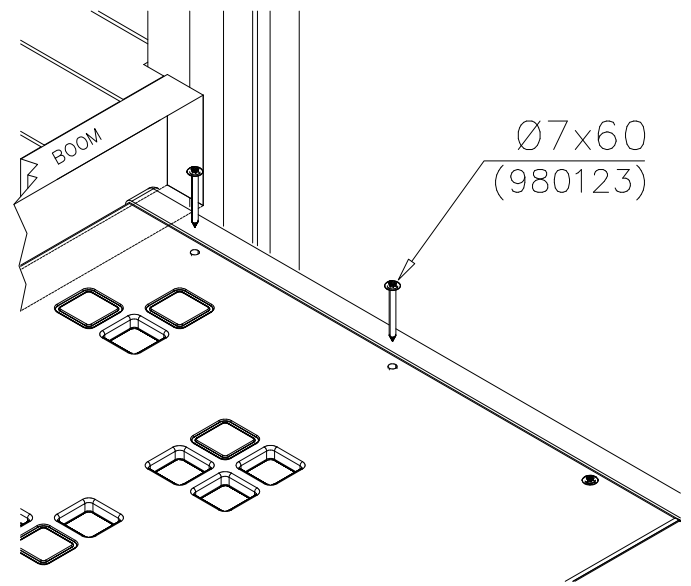
BOOM OPTIONS

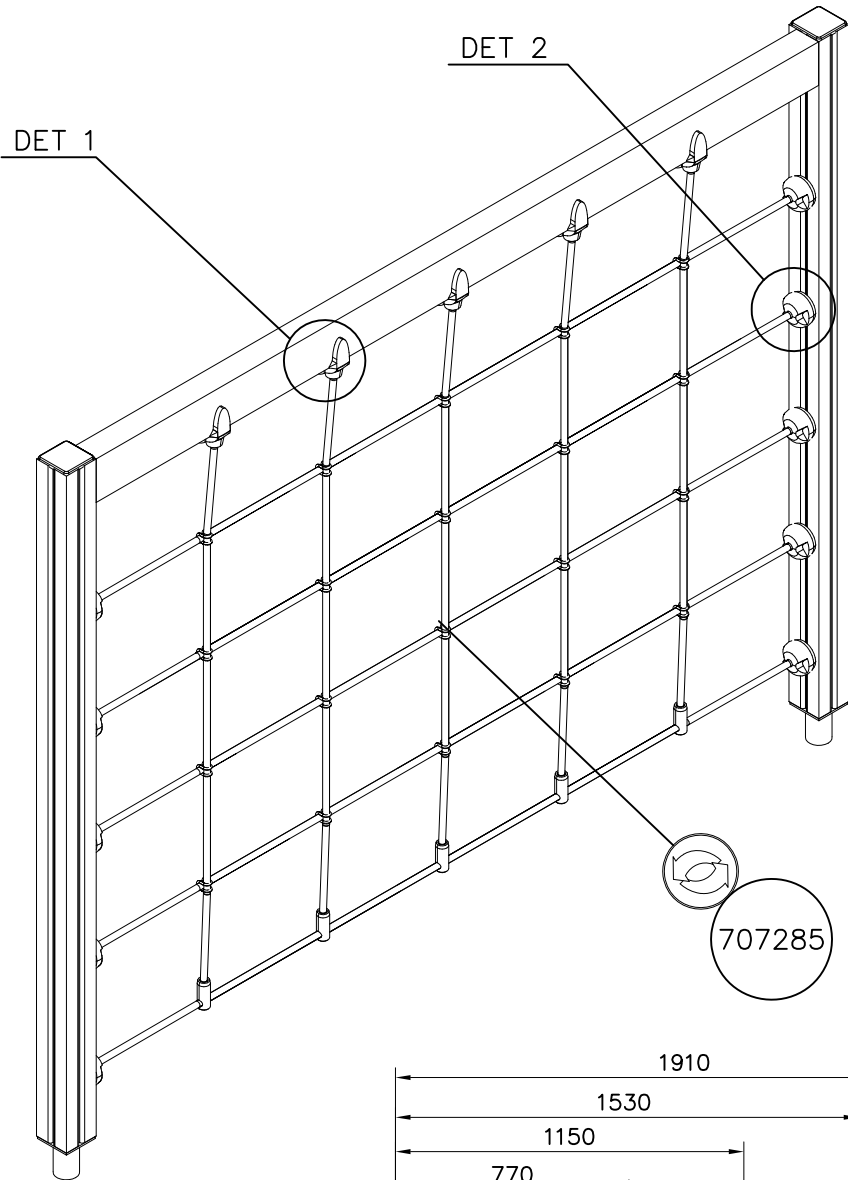
707271

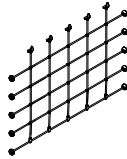





70x95x2480

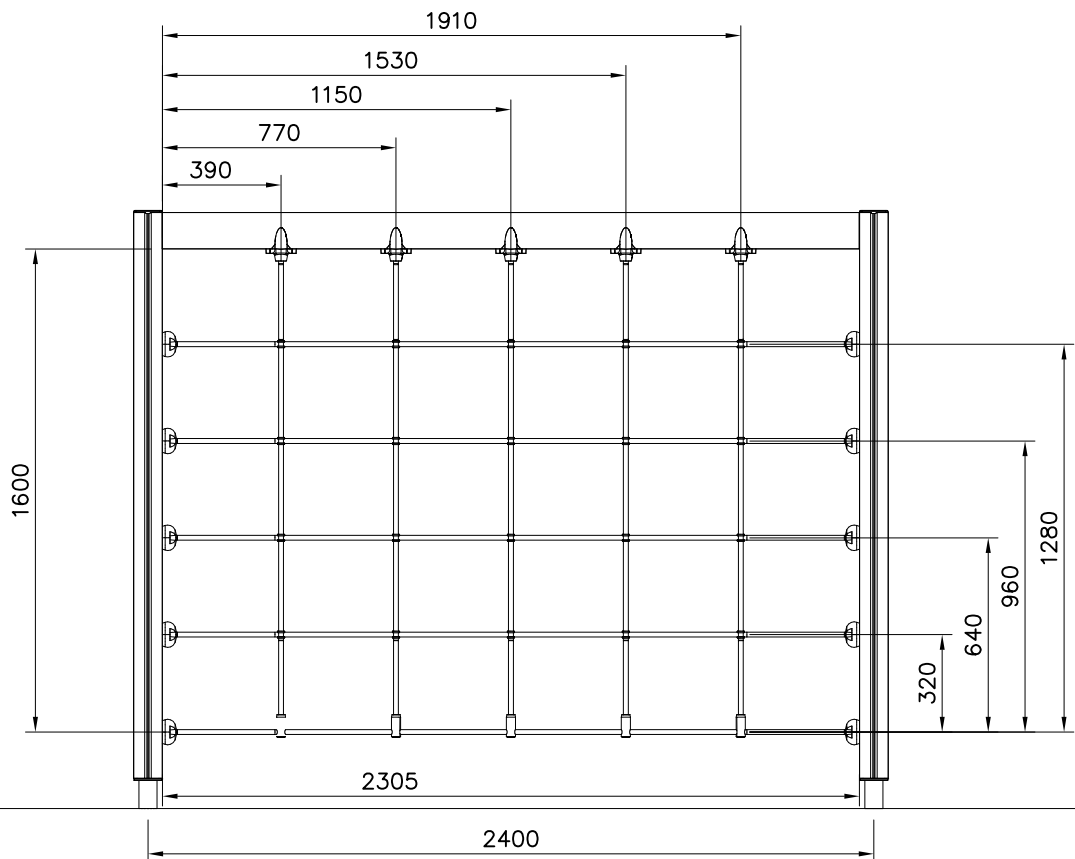
- 707271-602 DARK BROWN
- 707271-603 LIGHT BROWN
- 707271-604 LIGHT GRAY

| | |
|---|---|
| <p>DET 1</p>  <p>905103 12x100 (909224) Ø24/13 (980154)</p> | <p>DET 2</p>  <p>BOOM</p> <p>Ø7x60 (980123)</p> |
| <p>DET 3</p> | <p>DET 4</p> |
| <p>DET 5</p> | <p>DET 6</p> |



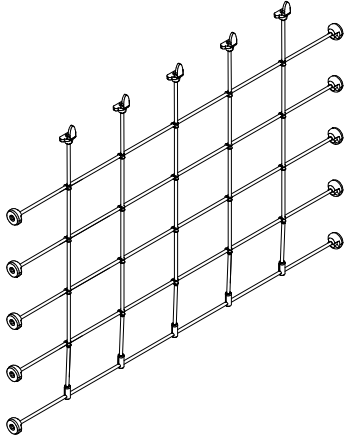
| | | | |
|--|----------|--|-----------|
| ① 707285  1600x2305 | PCS 1 | ② 900240  Ø8x70 | PCS 20 |
| ③ 980128  Ø7x40 | PCS 5 | ④ 980123  Ø7x60 | PCS 10 |
| | PCS | | PCS |
| | PCS | | PCS |

1:25



NET OPTIONS

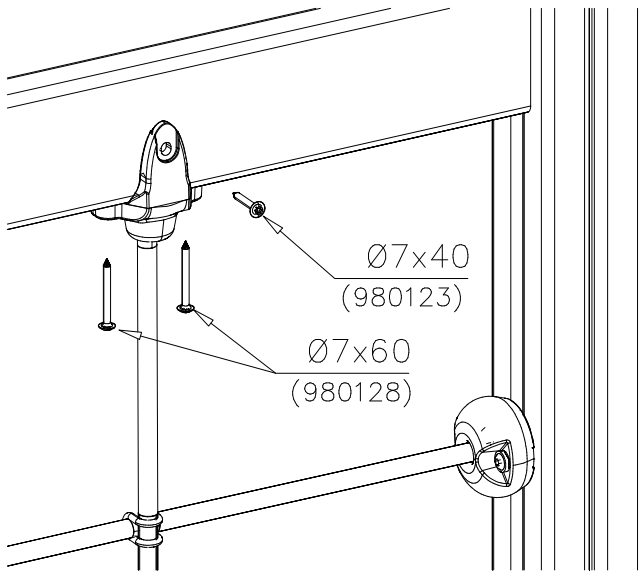
707285



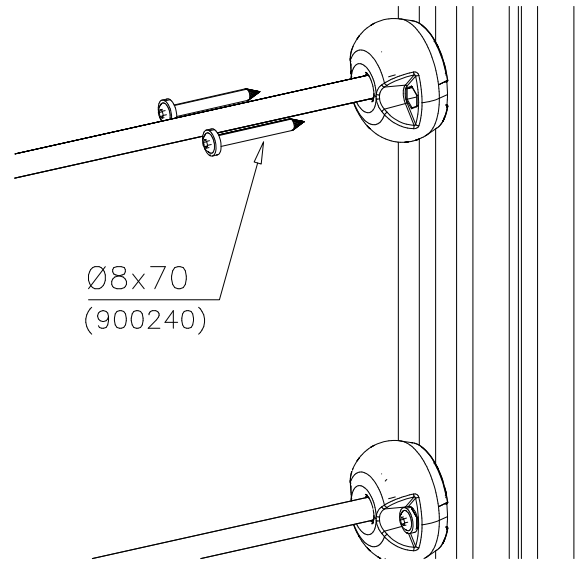
1600x2305

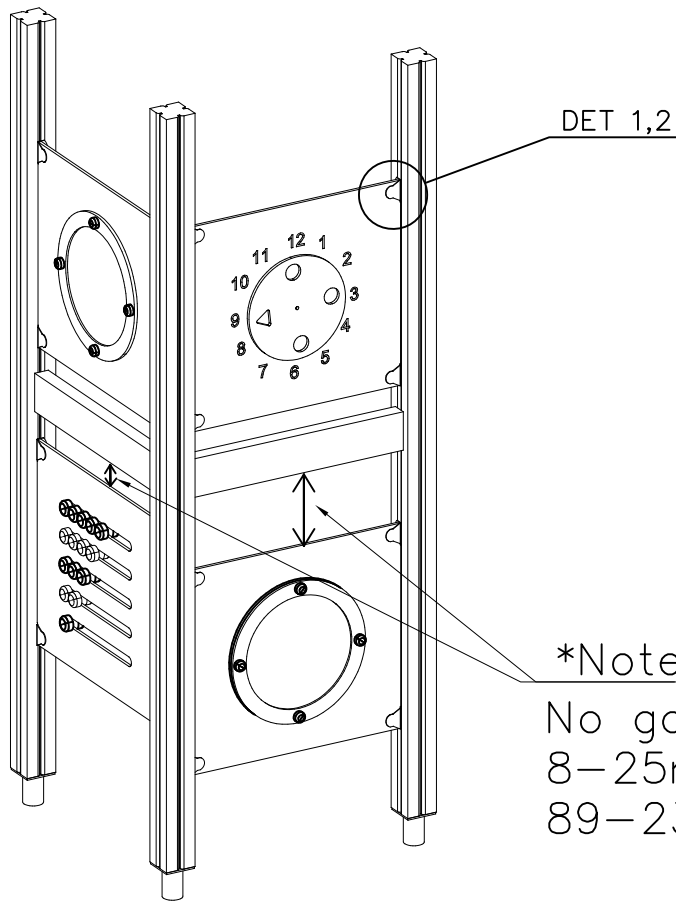
- | | |
|------------|--------|
| 707285-301 | BLUE |
| 707285-302 | RED |
| 707285-303 | BEIGE |
| 707285-304 | GREY |
| 707285-305 | BLACK |
| 707285-306 | YELLOW |

DET 1



DET 2





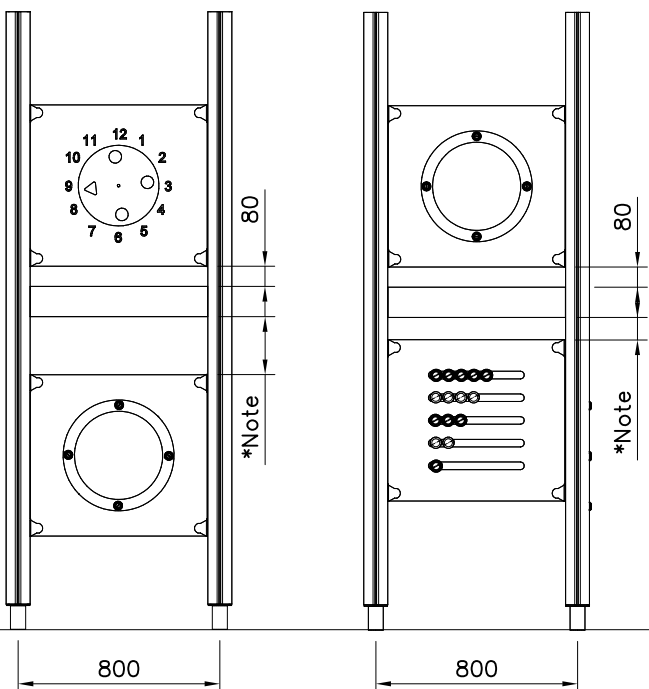
| | | | |
|-------------|-----|----------|-----|
| ① 903176 | PCS | ② 909850 | PCS |
| | 4 | | 4 |
| | | M8x25 | |
| ③ 909256 | PCS | ④ 909633 | PCS |
| | 8 | | 4 |
| Ø16/8.4x1.6 | | M8 | |
| ⑤ 980123 | PCS | | PCS |
| | 4 | | |
| Ø7x60 | | | |

*Note:

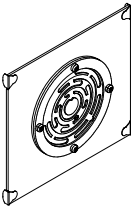
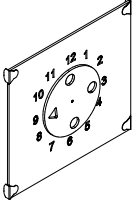
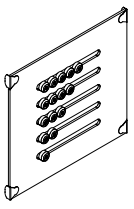
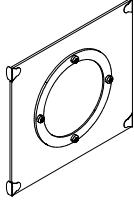
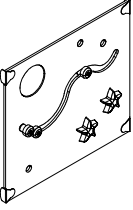
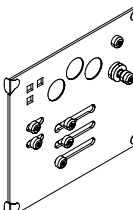
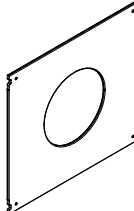
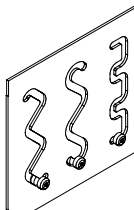
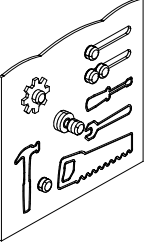
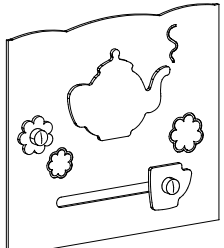
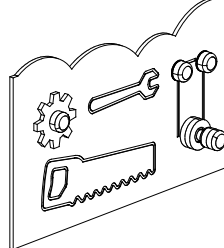
No gaps between:
8–25mm
89–230mm

COLOR OPTIONS

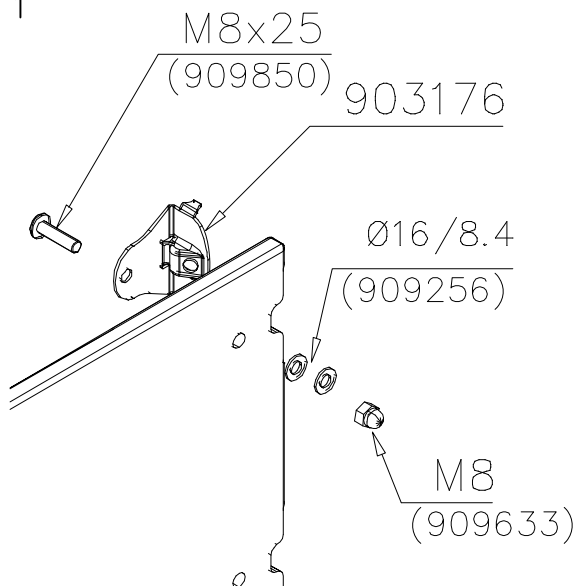
| | |
|------|------------|
| -701 | BLUE |
| -702 | YELLOW |
| -703 | LIME |
| -704 | DARK GRAY |
| -705 | LIGHT GRAY |
| -706 | RED |
| -707 | GREEN |
| -708 | FUXIA |



GAME WALL OPTIONS

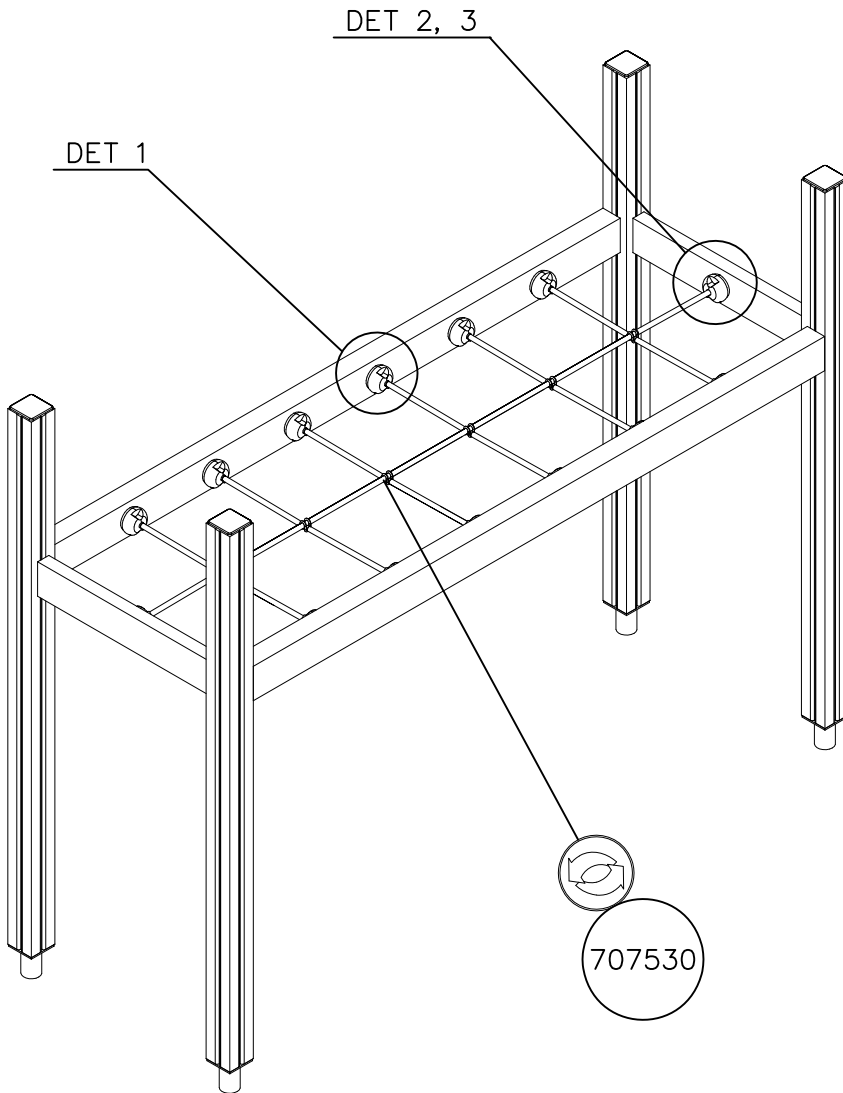
| | | | |
|---|---|--|--|
| 706766 | 706772 | 706308 | 707453 |
|  |  |  |  |
| 640x702 | 640x702 | 640x702 | 640x702 |
| 707209 | 705705 | 707433 | 707386 |
|  |  |  |  |
| 640x702 | 640x702 | 640x702 | 640x702 |
| 709403 | 709358 | 709405 | |
|  |  |  | |
| 640x702 | 640x702 | 420x702 | |

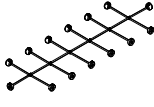

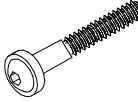

DET 1



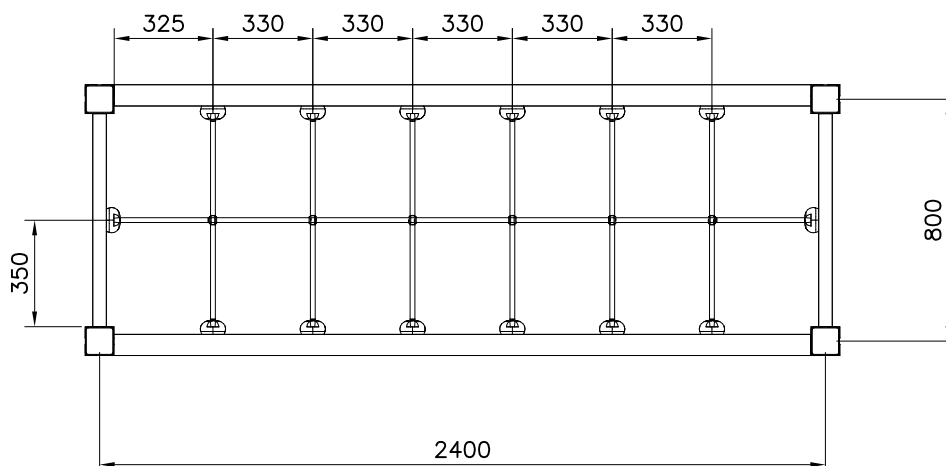
DET 2





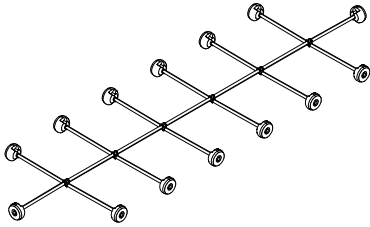
| | | | |
|---|-----|---|-----|
| ① 707530 | PCS | ② 900240 | PCS |
|  | 1 |  | 24 |
| 755x2355 | | Ø8x70 | |
| ③ 909867 | PCS | ④ 980150 | PCS |
|  | 4 |  | 10 |
| M8x70 | | M8 | |
| | PCS | | PCS |
| | | | |
| | PCS | | PCS |
| | | | |

1:25



NET OPTIONS

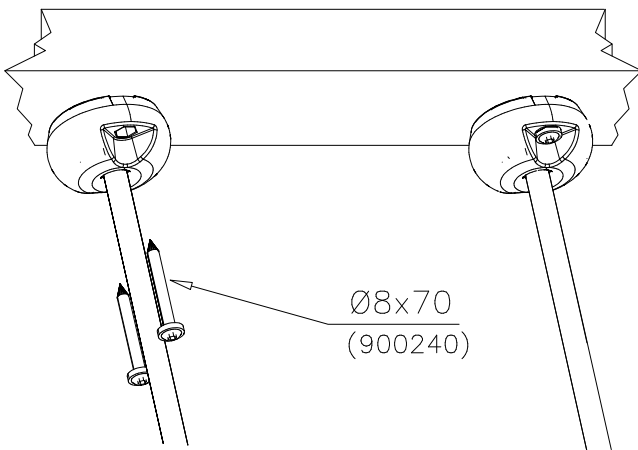
707530



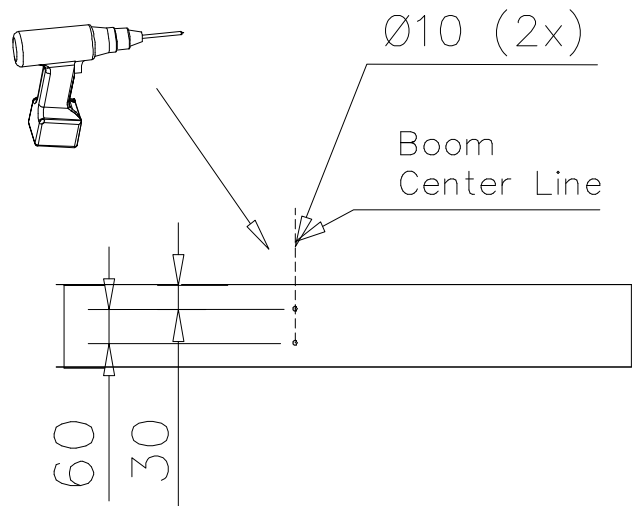
755x2355

- | | |
|------------|--------|
| 707530-301 | BLUE |
| 707530-302 | RED |
| 707530-303 | BEIGE |
| 707530-304 | GREY |
| 707530-305 | BLACK |
| 707530-306 | YELLOW |

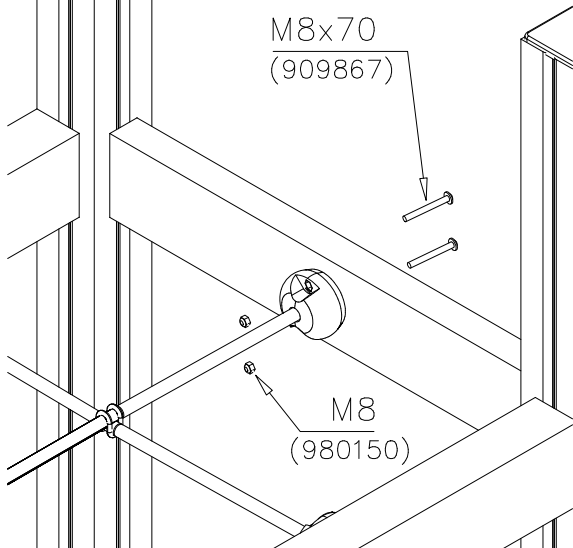
DET 1



DET 2



DET 3





Tuotekyltti tulee tuotteen mukana yhdellä seuraavista tavoista:

1) Metallinen tuotekyltti ja kiinnitysruuvit

- Kiinnitä tuotekyltti ruuveilla tolppaan noin 2 metrin korkeuteen kuvan 1 mukaisesti.

2) Tuotekyltitarra

- Puhdista maalattu metalli- tai vaneripinta pölystä ja kosteudesta. Liimaa tarra kuvan 2 mukaisesti.
- Huom. Älä kiinnitä tarraa karheapintaiseen laminaattiin tai maalattuun puuhun.

Vår produktmärkning levereras på ett av följande sätt:

1) Produktskylt i metall

- Fäst skylten med de medföljande skruvarna

2) Självhäftande produktetikett

- Rengör den pulverlackerade metallytan eller laminatyten så att den blir fri från smuts och fukt. Fäst etiketten enligt fig. 2.
- Obs! Fäst ej etiketten på detaljer med skrovlig yta eller på målat trä.

Product label is delivered by one of following ways:

1) Metal product label and screws

- Fasten the label with screws.

2) Label sticker

- Clean the painted metal or plywood surface from dirt and moisture. Fasten the sticker as shown in the figure 2.
- Note. Do not attach the sticker to rough surfaced laminate or painted wood.

La plaque d'informations produit est livrée sous l'une de ces 3 formes :

1) Plaque métallique et vis

- Fixez la plaque à l'aide des vis.

2) Etiquette autocollante

- Avant de coller l'étiquette, nettoyez le composant métallique peint ou la plaque de contreplaqué, de toute saleté. La surface doit être sèche (voir image 2).
- Attention, ne pas coller l'étiquette sur une surface lamellé-collée irrégulière ou sur du bois peint.

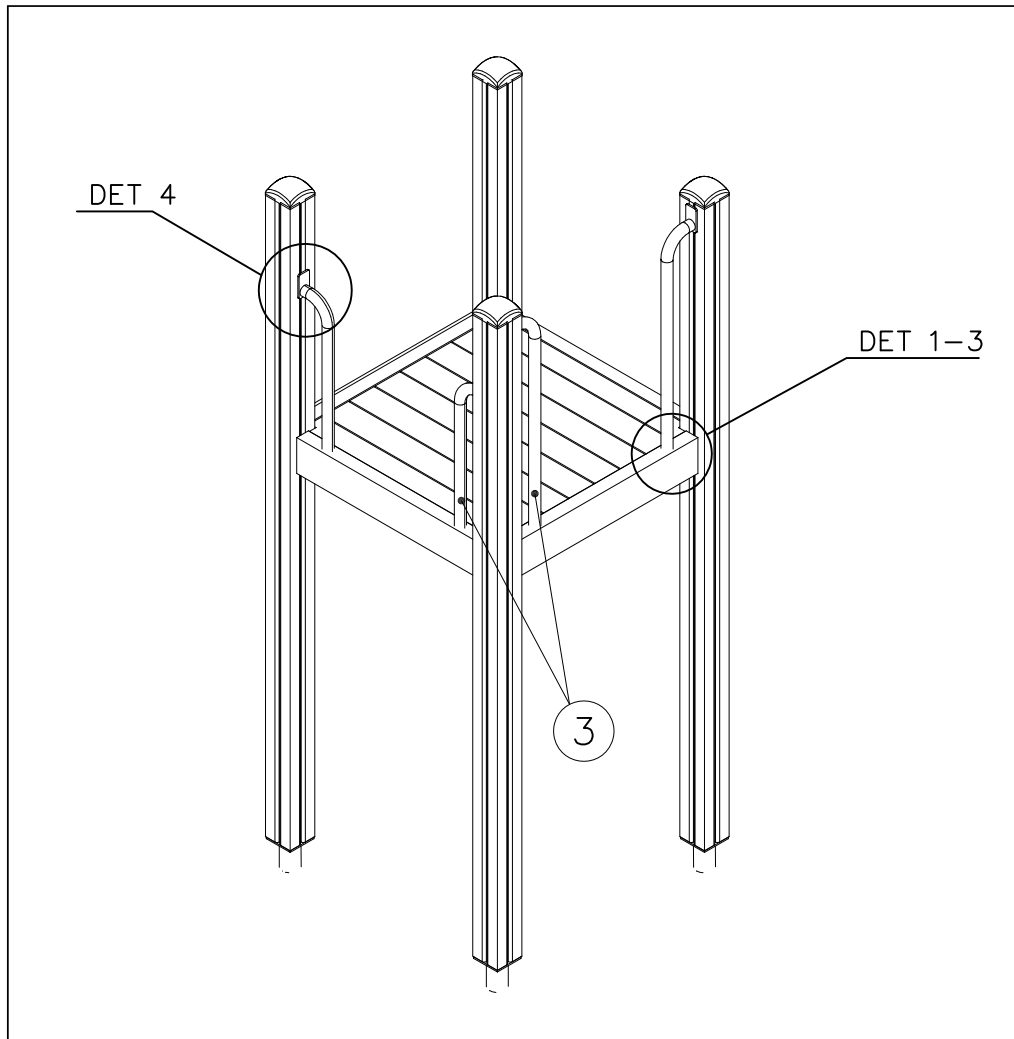
Die Auslieferung des Produktaufklebers erfolgt auf eine dieser Arten:

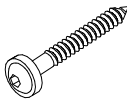



1) Produkt-Schild aus Metall incl. Schrauben

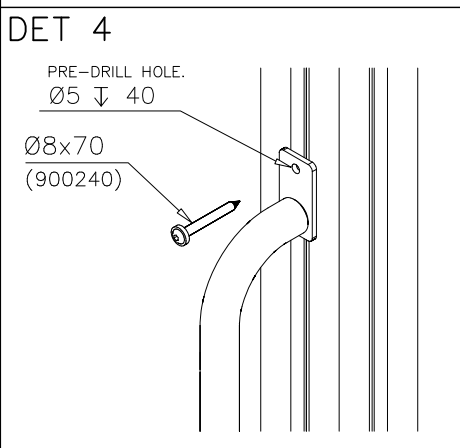
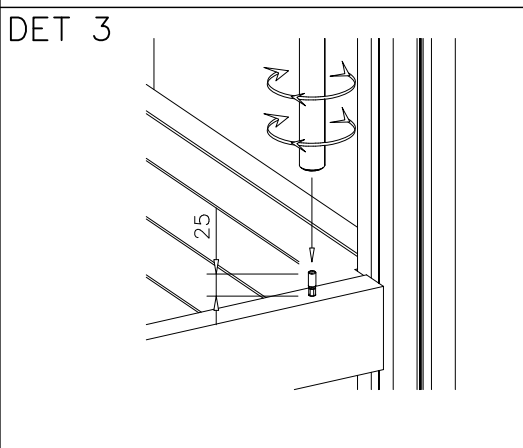
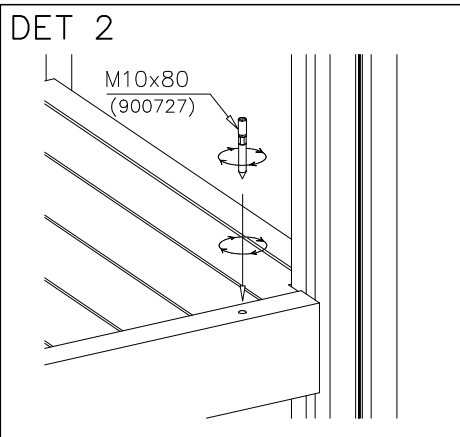
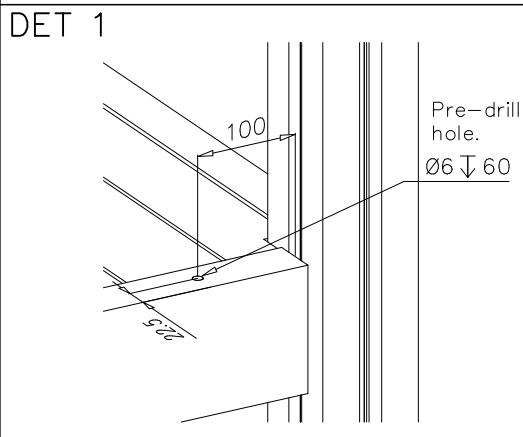
- Die Befestigung des Schildes erfolgt mittels der Schrauben.

2) Aufkleber

- Entfernen Sie zunächst Schmutz und Feuchtigkeit vom lackierten Metall bzw. von der Holzoberfläche und bringen Sie den Aufkleber wie im Bild oben rechts beschrieben auf den gesäuberten Untergrund auf.
- Beachten Sie: Bringen Sie den Aufkleber nicht auf raues laminiertes oder lackiertes Holz an.



| | | | |
|---|-----|---|-----|
| ① 900240 | PCS | ② 900727 | PCS |
|  | 1 |  | 1 |
| Ø8x70 | | M10x80 | |
| | PCS | | PCS |
| | | | |
| | | | |
| ③ 907688 | PCS | ③ 907701 | PCS |
|  | 1 |  | 1 |
| 765 | | 545 | |
| | PCS | | PCS |
| | | | |
| | | | |
| | PCS | | PCS |
| | | | |
| | | | |
| | | | |
| | PCS | | PCS |
| | | | |
| | | | |
| | | | |
| | PCS | | PCS |
| | | | |
| | | | |

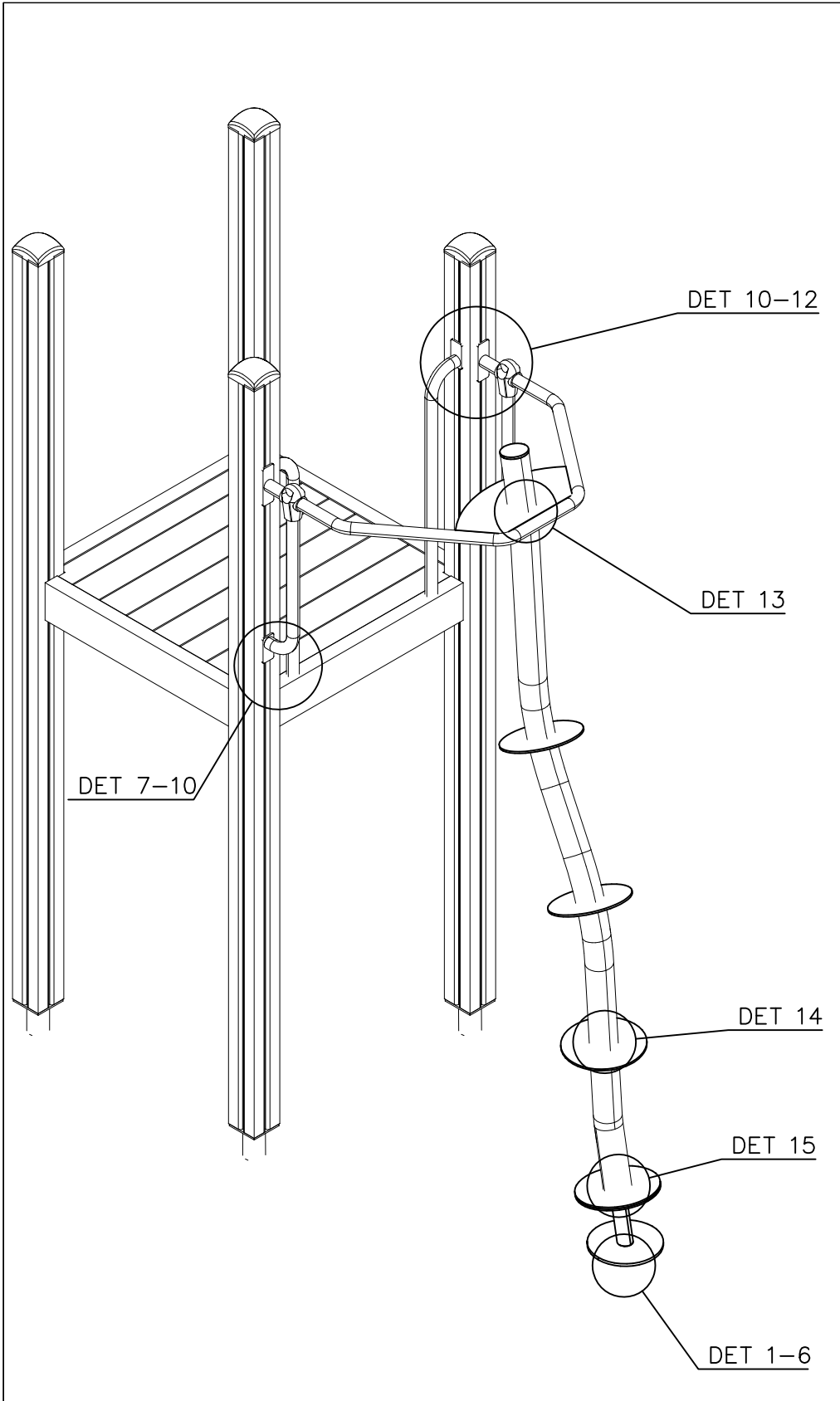


LAPPSET® FASTENER KIT

707854

DATE: 12.5.2016

1(4)



| | | | |
|---------------|-----|--------------|-----|
| ① 900240 | PCS | ② 900342 | PCS |
| | 8 | | 4 |
| Ø8x70 | | M8x16 | |
| ③ 900348 | PCS | ④ 900727 | PCS |
| | 18 | | 2 |
| M8x30 | | M10x80 | |
| ⑤ 901182 | PCS | ⑥ 901900 | PCS |
| | 2 | | 4 |
| Ø11/M8x40 | | 20.5x36.2x56 | |
| ⑦ 901902 | PCS | ⑧ 904800 | PCS |
| | 4 | | 1 |
| 30.7x60.9x100 | | Ø76x25 | |
| ⑨ 905083 | PCS | ⑩ 905112 | PCS |
| | 4 | | 4 |
| Ø32 | | Ø22 | |
| ⑪ 905857 | PCS | ⑫ 909256 | PCS |
| | 6 | | 32 |
| M8x35 | | Ø16/8.4x1.6 | |
| ⑬ 909850 | PCS | ⑭ 909633 | PCS |
| | 2 | | 24 |
| M8x25 | | M8 | |
| ⑮ 909855 | PCS | ⑯ 980160 | PCS |
| | 4 | | 6 |
| M8x35 | | M8 | |

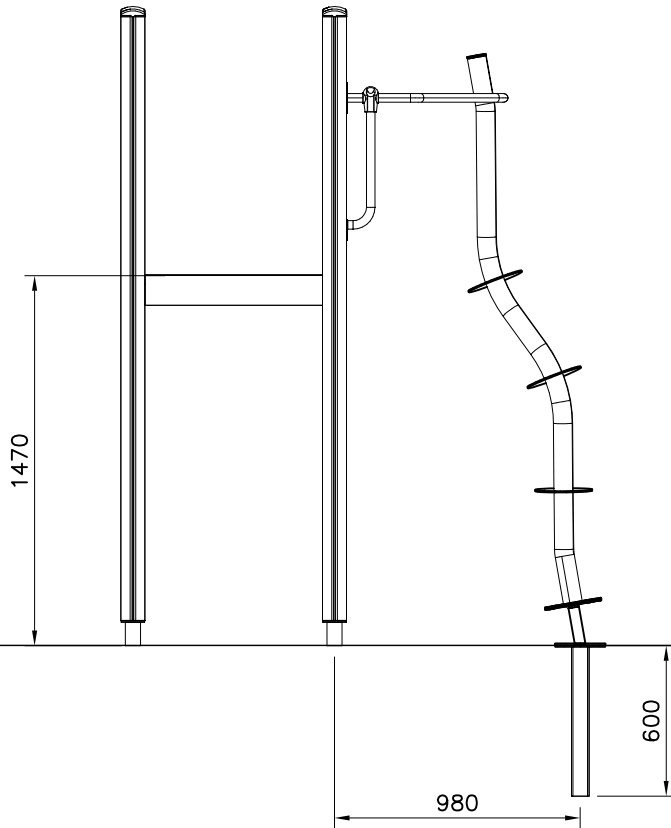
| | | | |
|----------|------|----------|------|
| ⑰ 909628 | PCS | ⑱ 909638 | PCS |
| | 4 | | 8 |
| M10x100 | SURF | Ø20/10.5 | DEEP |
| ⑰ 909628 | PCS | ⑳ 909637 | PCS |
| | 4 | | 4 |
| M10x30 | DEEP | M10 | DEEP |

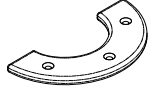
LAPPSET® FASTENER KIT


707854

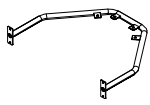
DATE: 12.5.2016

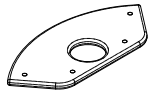
2(4)

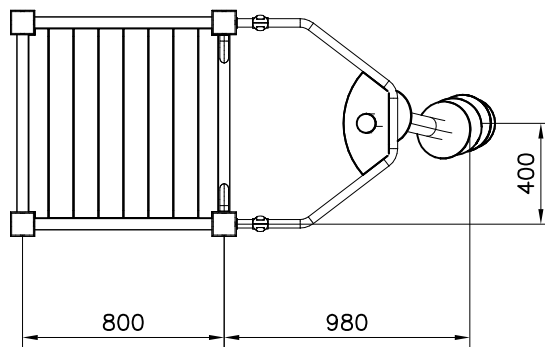


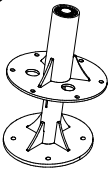
| | |
|---|-----|
| ○ 706706 | PCS |
|  | 8 |
| 15x129x260 | |

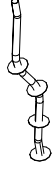
| | |
|---|-----|
| ○ 907688 | PCS |
|  | 2 |
| 40x765x114 | |


| | |
|---|-----|
| ○ 908240 | PCS |
|  | 1 |
| 837x642x120 | |


| | |
|---|-----|
| ○ 706433 | PCS |
|  | 1 |
| 15x180x405 | |



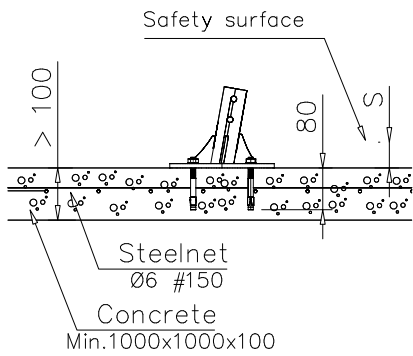
| | |
|---|-----|
| ○ 907765 | PCS |
|  | 1 |

| | |
|---|-----|
| ○ 908237 | PCS |
|  | 1 |
| 400x226x2203 | |

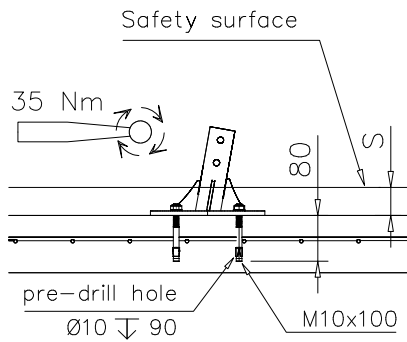
| | |
|---|-----|
| ○ 908242 | PCS |
|  | 2 |
| 114x40x545 | |

| | |
|---|------|
| ○ 907872 | PCS |
|  | 1 |
| Ø200x597 | DEEP |

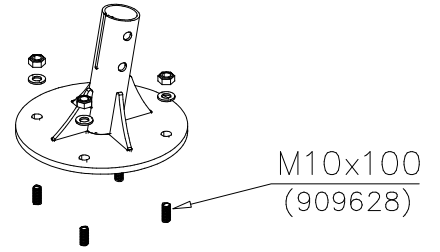
DET 1 SURFACE



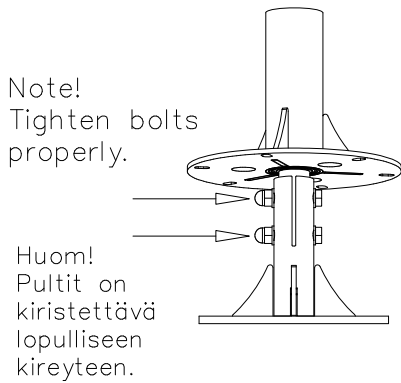
DET 2 SURFACE



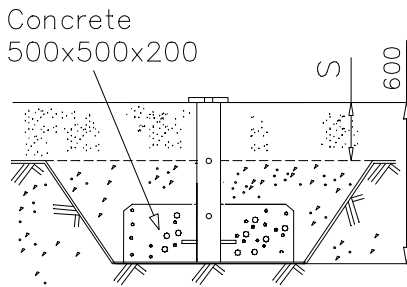
DET 3 SURFACE



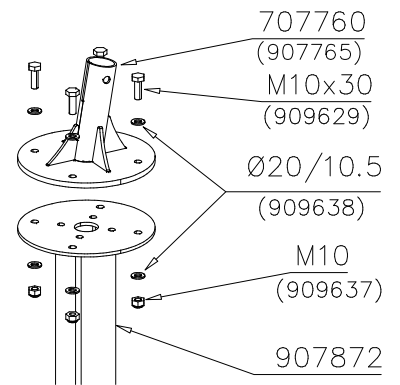
DET 4 DEEP/SURFACE



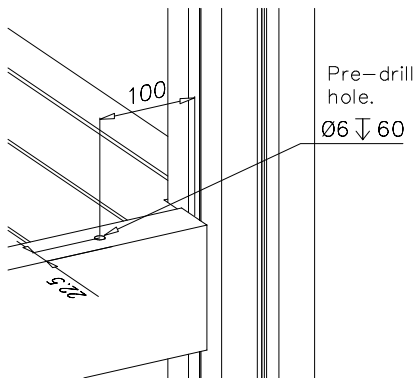
DET 5 DEEP



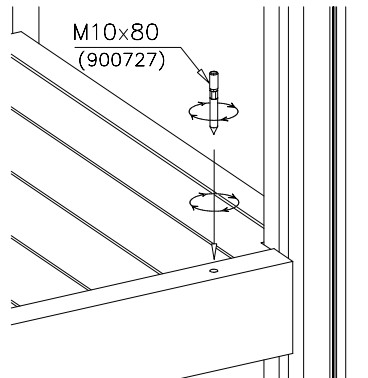
DET 6 DEEP



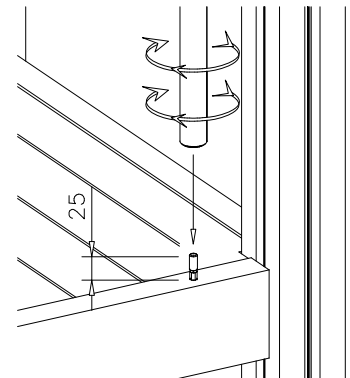
DET 7



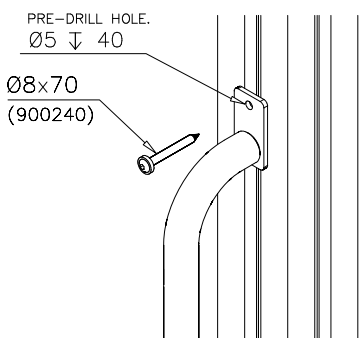
DET 8



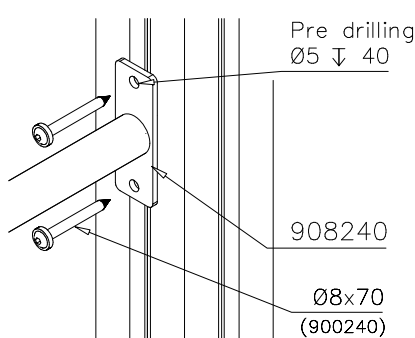
DET 9



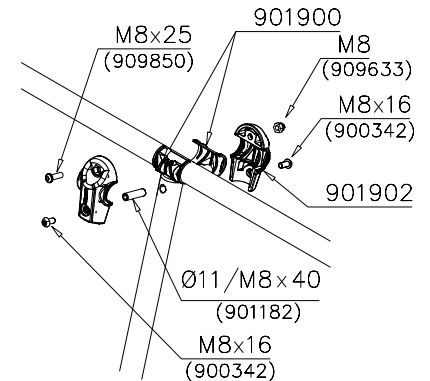
DET 10



DET 11



DET 12



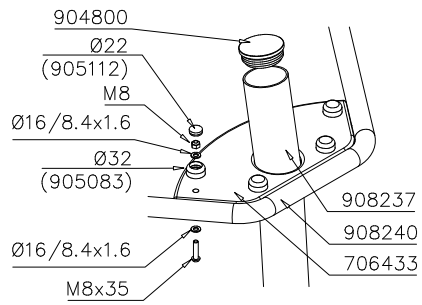
LAPPSET® FASTENER KIT

707854

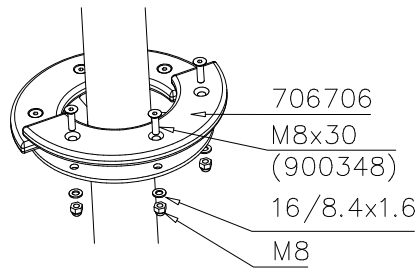
DATE: 12.5.2016

4(4)

DET 13



DET 14



DET 15

