

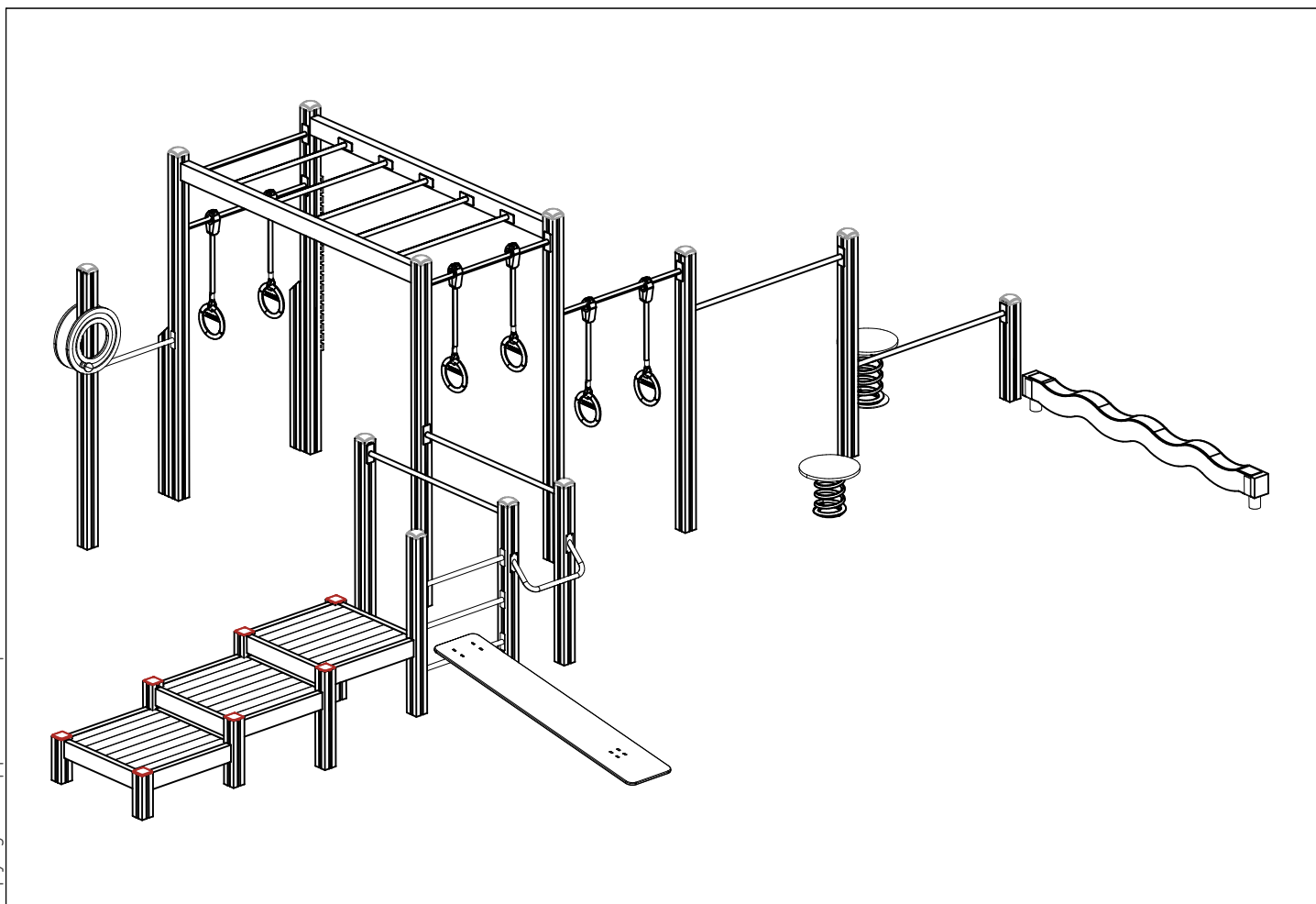
# **LAPPSET®**

## **FINNO**



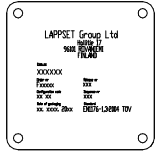
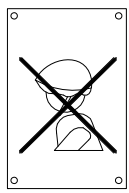

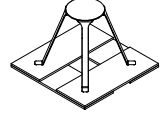

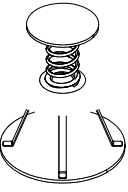


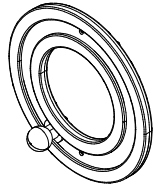
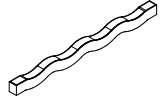
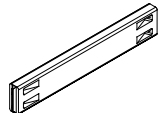
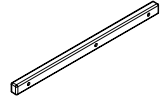
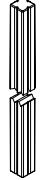
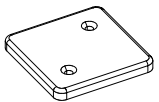

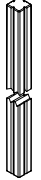

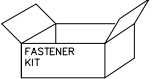
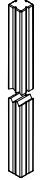
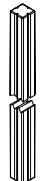


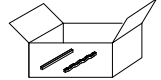
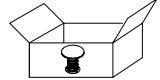
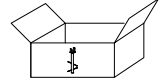
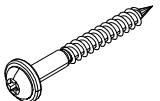
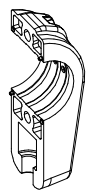
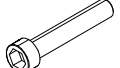
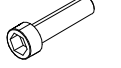
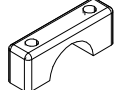
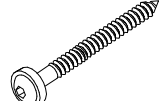
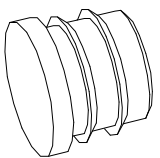
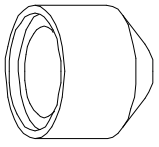
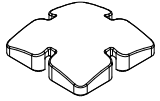
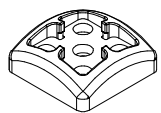
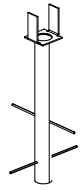
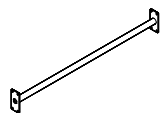
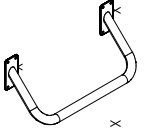
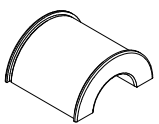
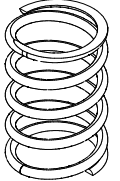
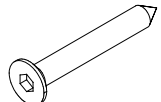

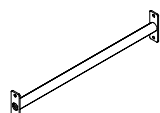
ASENNUSOHJE  
MONTERINGSANSVISNING  
INSTALLATION INSTRUCTION  
AUFBAUANLEITUNG  
NOTICE D'INSTALLATION

DATE: 24.8.2022

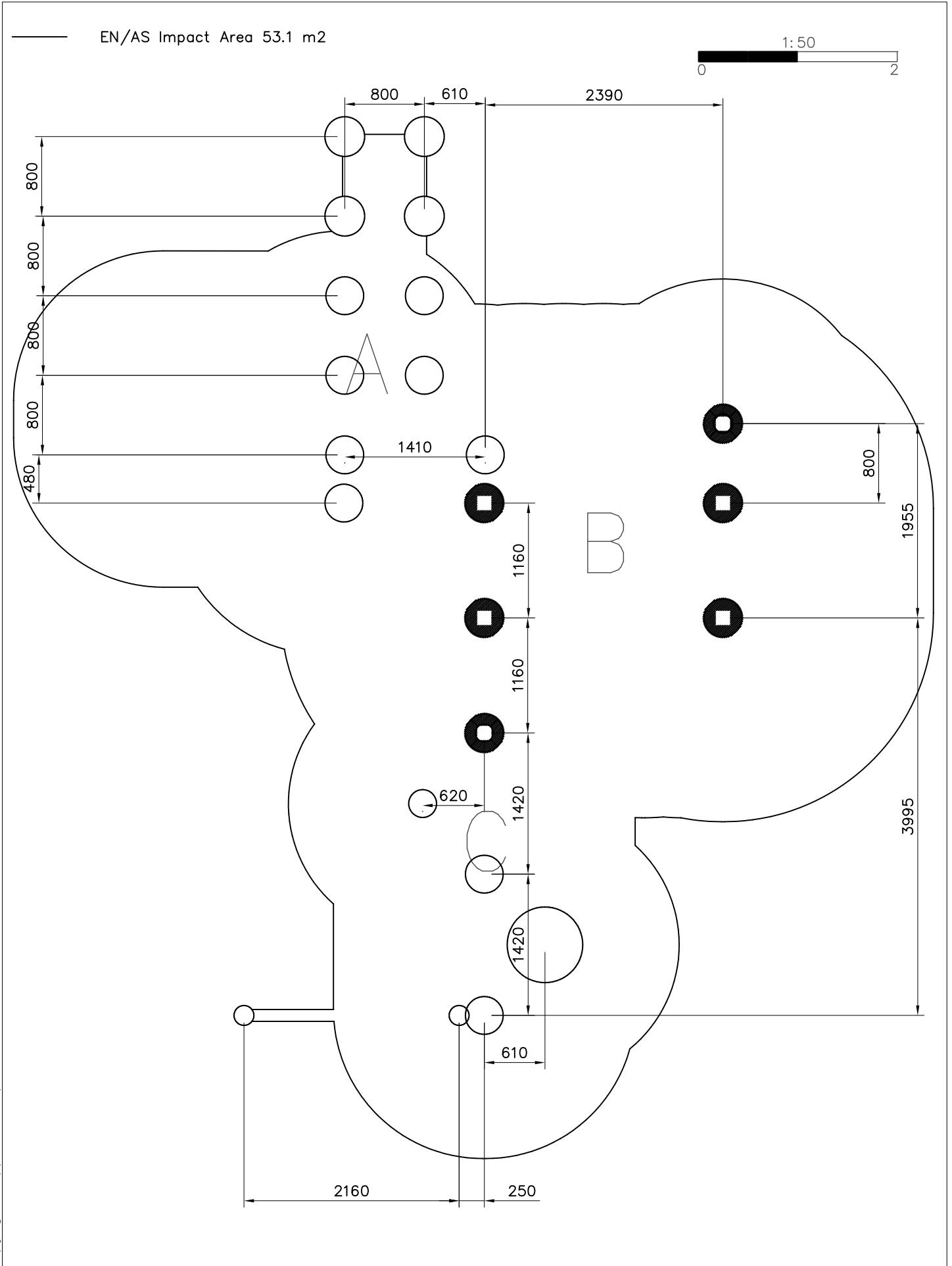
### **Q16616**

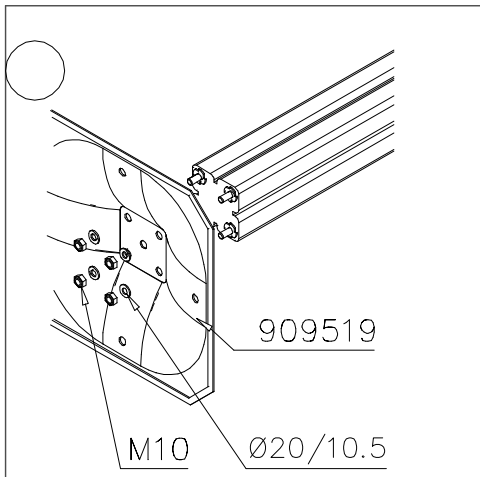
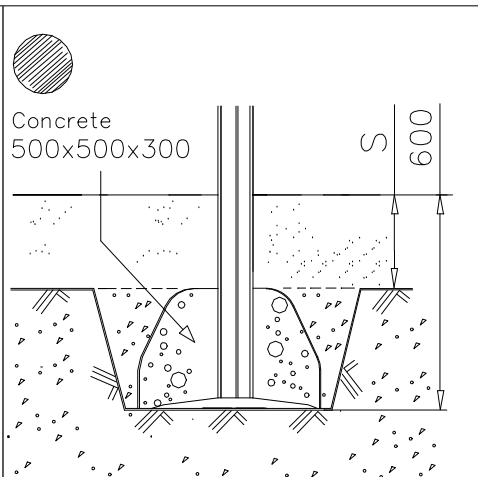
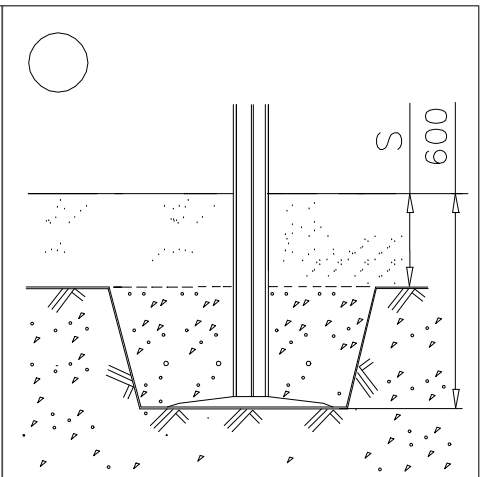


DATE: 24.8.2022

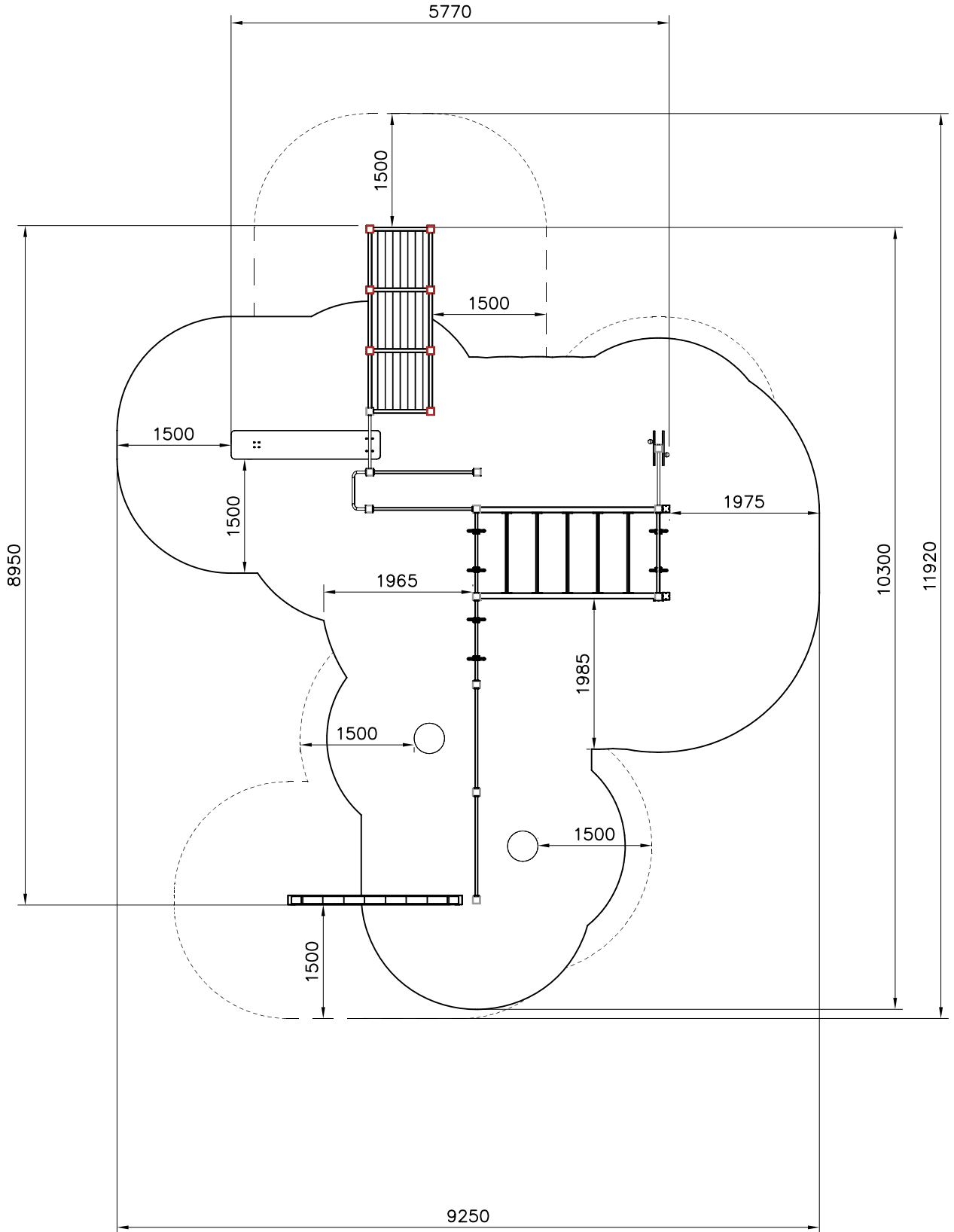
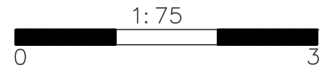
008986  750x750	PCS 3	701401-602  93x93x1250	PCS 4	702286  65x65	PCS 1	702339  118x78	PCS 1	703328-602  L 1800	PCS 2	705101  	PCS 1
705423  	PCS 1	705432-704  19xØ400	PCS 1	705513-704  GREY	PCS 2	705590-602  120x200x2294	PCS 1	706439-602  L 704	PCS 12	706443  32x45x702	PCS 6
706466-602  L 1025	PCS 2	706481-706  83x83x10	PCS 7	706499-602  93x93x860	PCS 2	706511-602  93x93x1870	PCS 4	706535   FASTENER KIT	PCS 3	706568-602  93x93x3000	PCS 4
706598-602  93x93x2120	PCS 1	706669-602  93x93x2400	PCS 2	707294-602  70x120x2304	PCS 2	707785 	PCS 1	707886 	PCS 1	707900  FASTENER KIT	PCS 2
900240  Ø8x70	PCS 24	902195  150x50x50	PCS 12	902232  M10x55	PCS 6	902233  M10x30	PCS 6	902454 	PCS 2	903093  Ø8x90	PCS 56
905066  S30H	PCS 6	905104  83x83x10	PCS 8	905138  GRAY	PCS 12	905196  GRAY	PCS 12	905761  12x12x700	PCS 2	905838-299  L 1060	PCS 9
905934-299  x	PCS 1	906006  Ø64/36,4x59	PCS 12	906316  20x200x300	PCS 1	906630  Ø8x60	PCS 4	906632-299 	PCS 1	907694-299  L 704	PCS 4

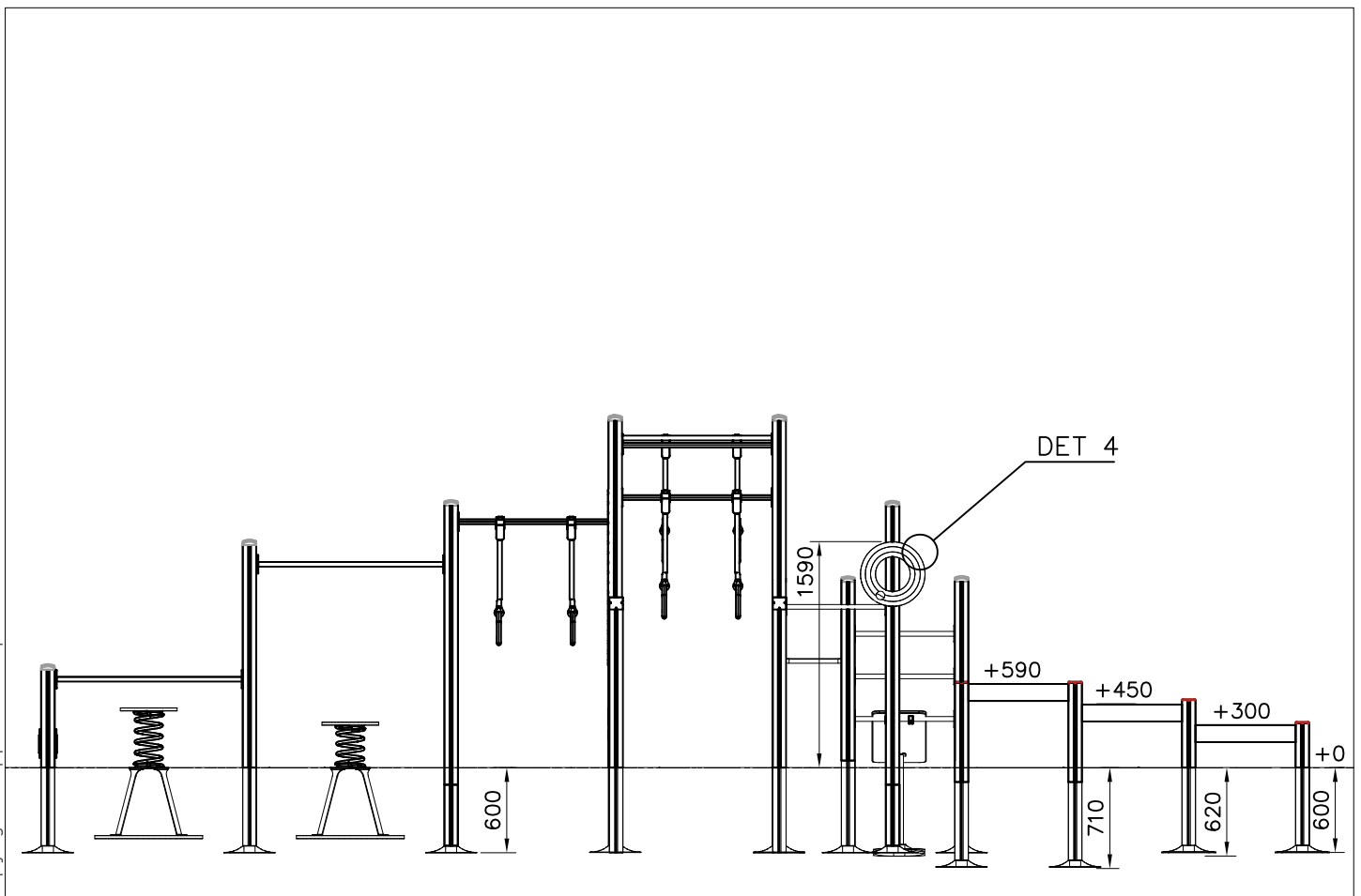
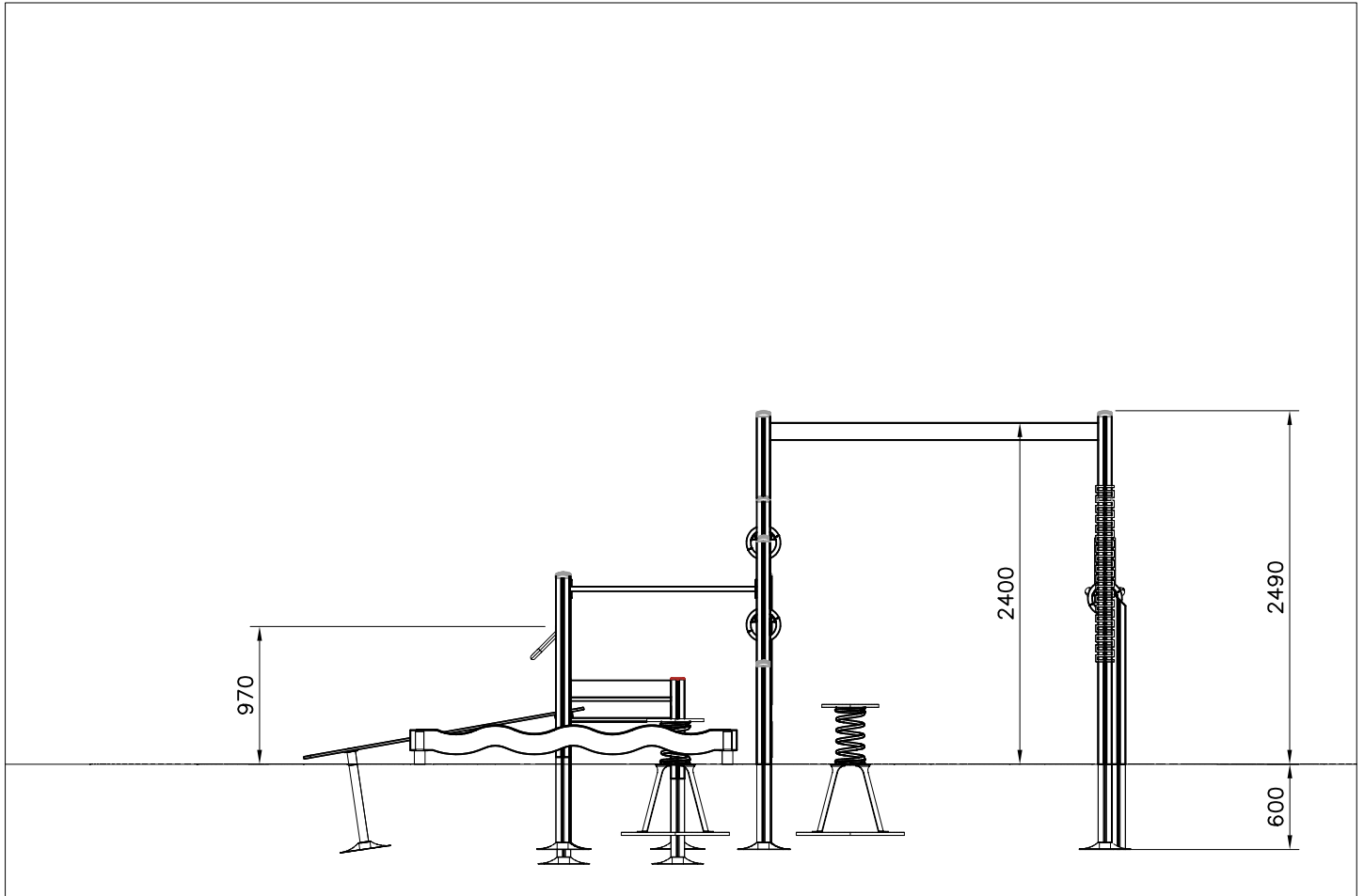


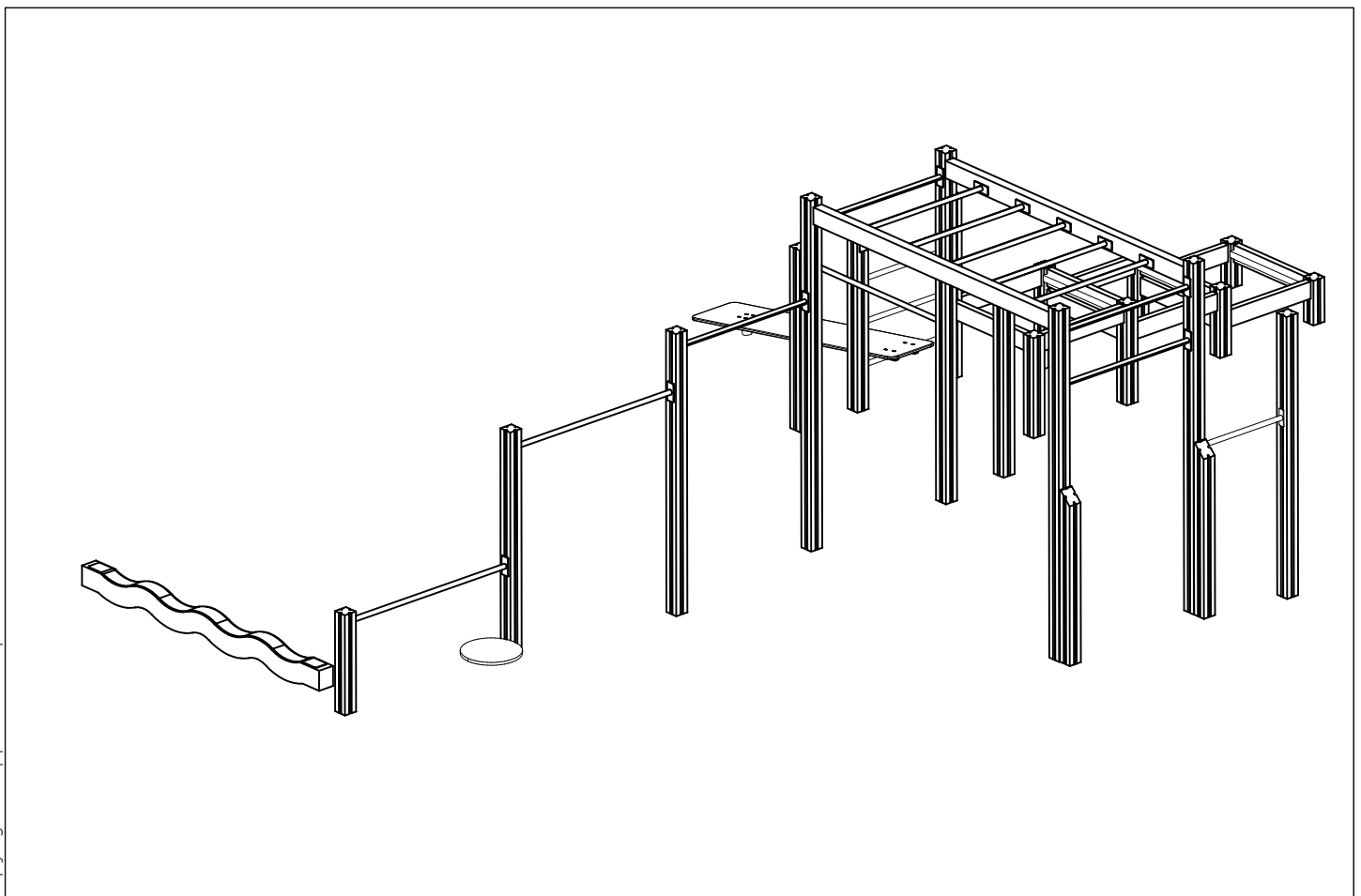
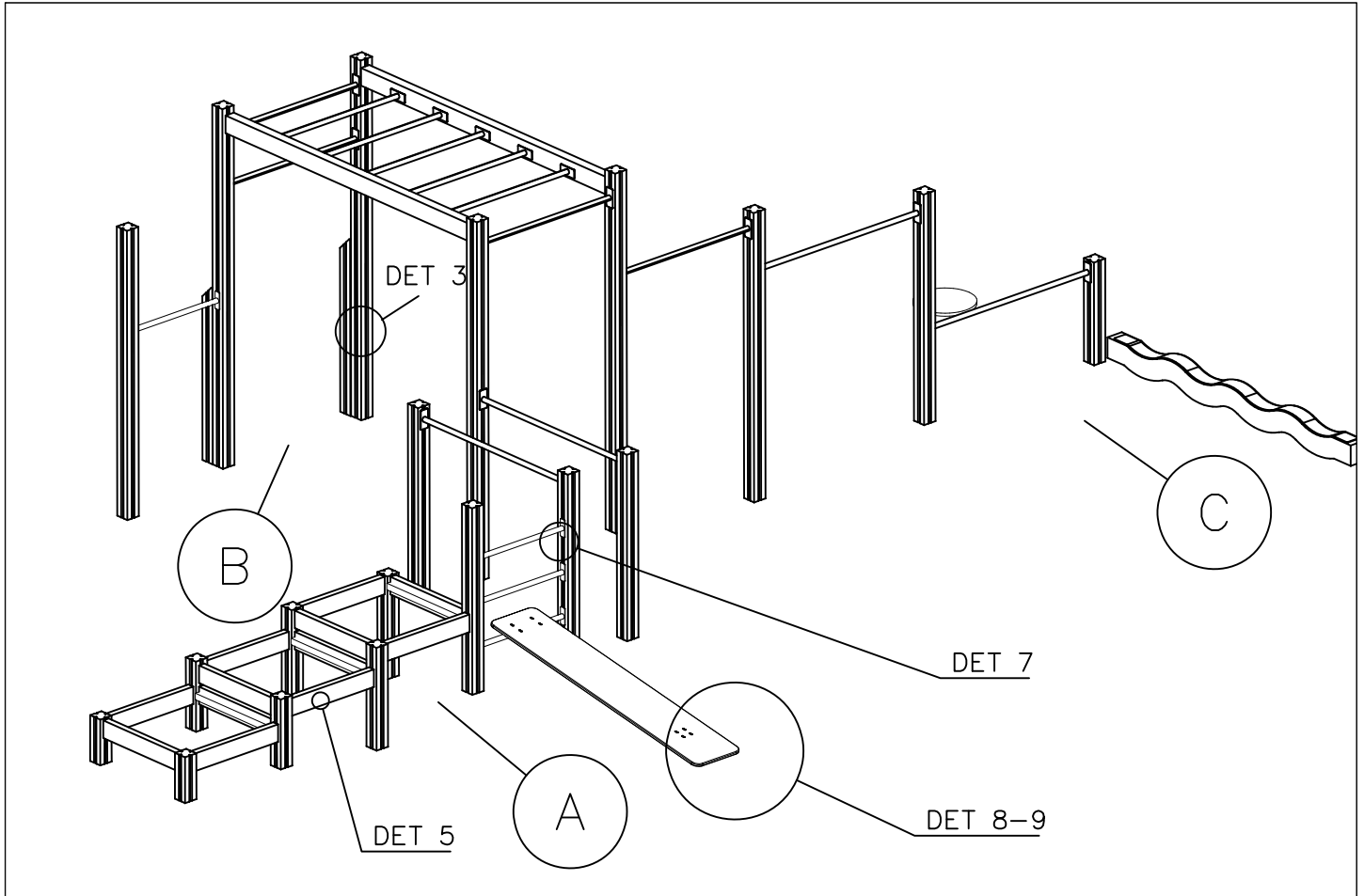


 <p>909519 M10 Ø20/10.5</p>	 <p>Concrete 500x500x300 S 600</p>	 <p>S 600</p>

- EN/AS Impact Area 53.1 m<sup>2</sup>
- - - - Falling Space 71.6 m<sup>2</sup>  
Max Falling Height 1750 mm

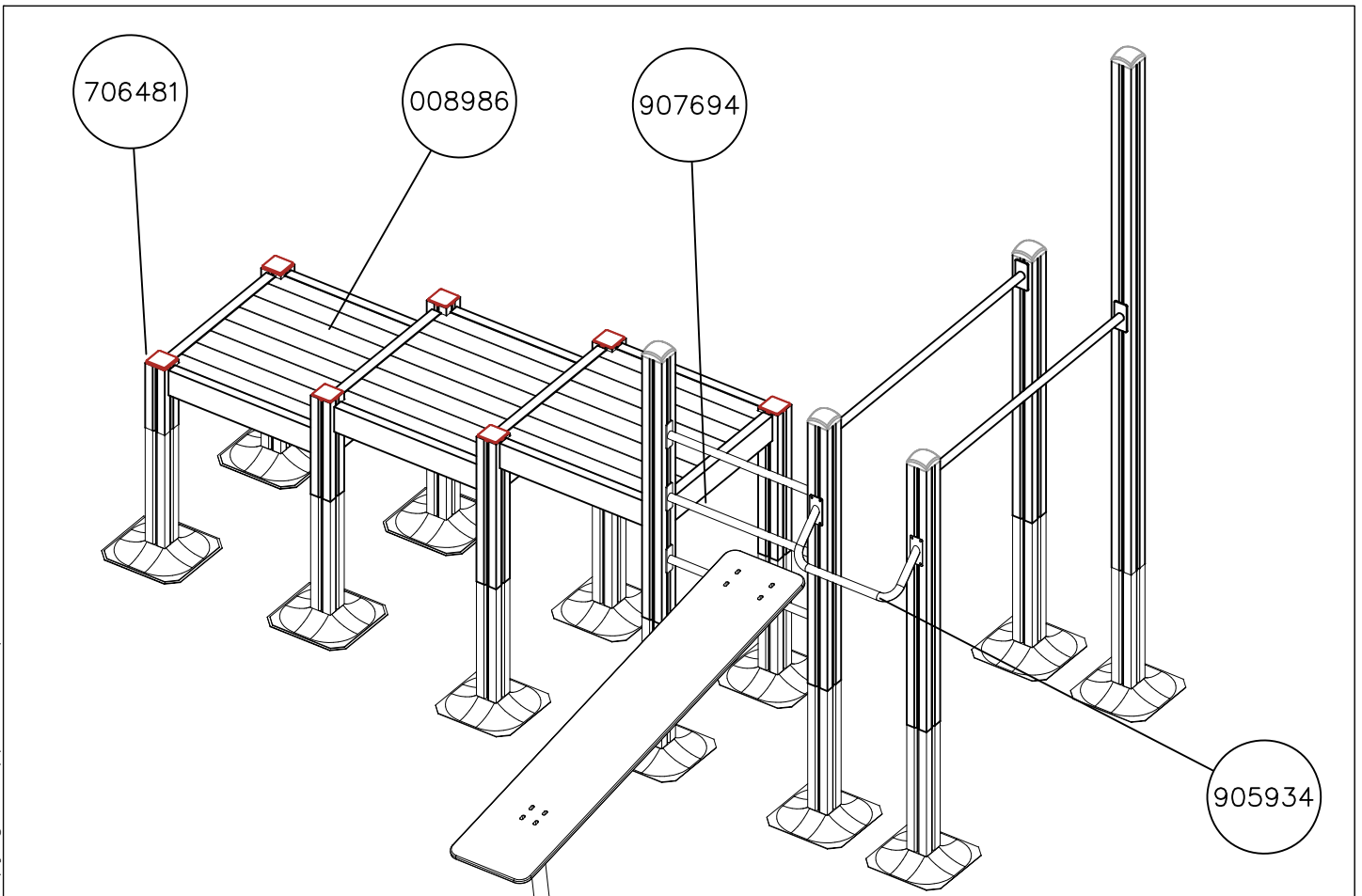
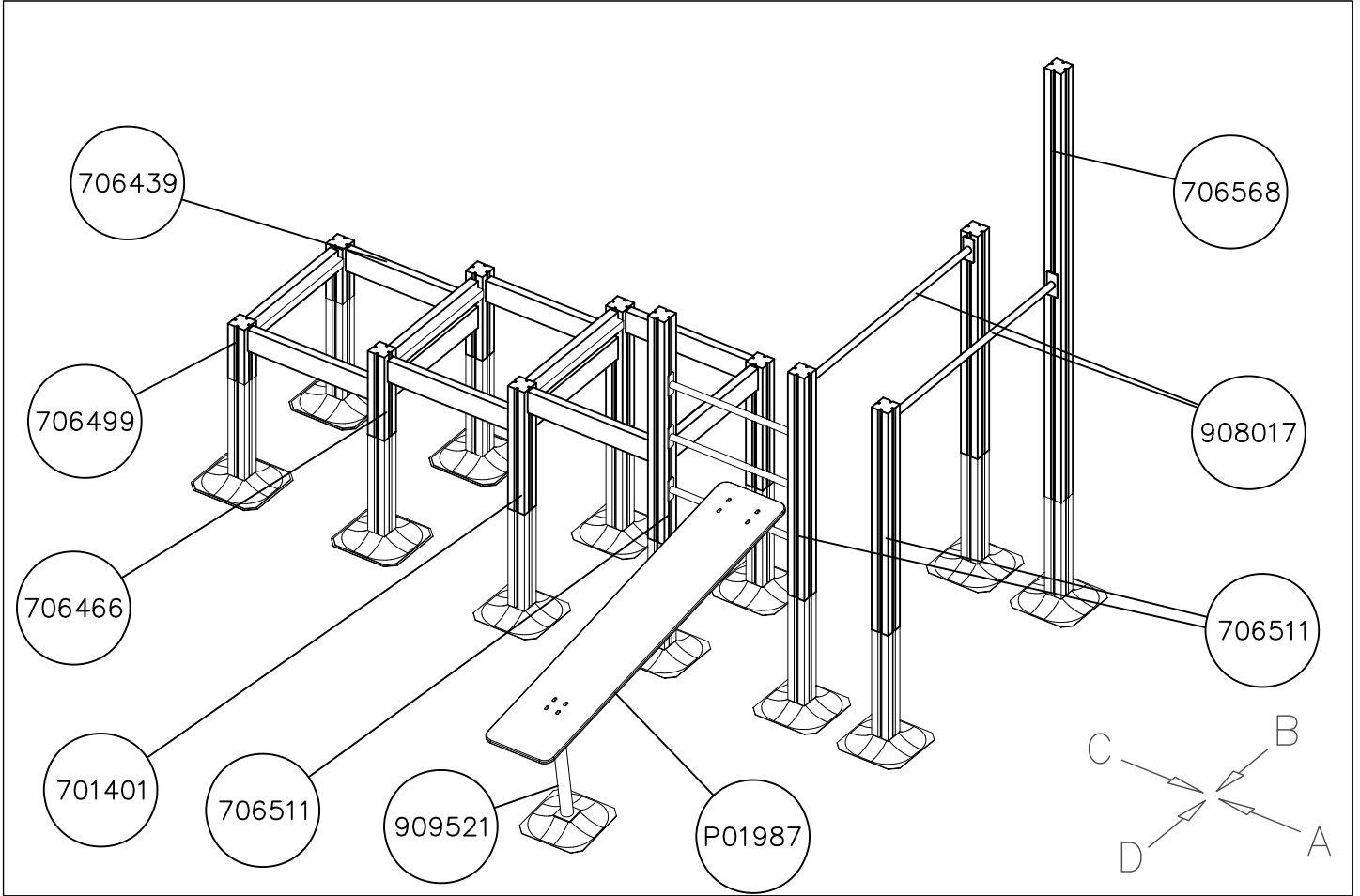






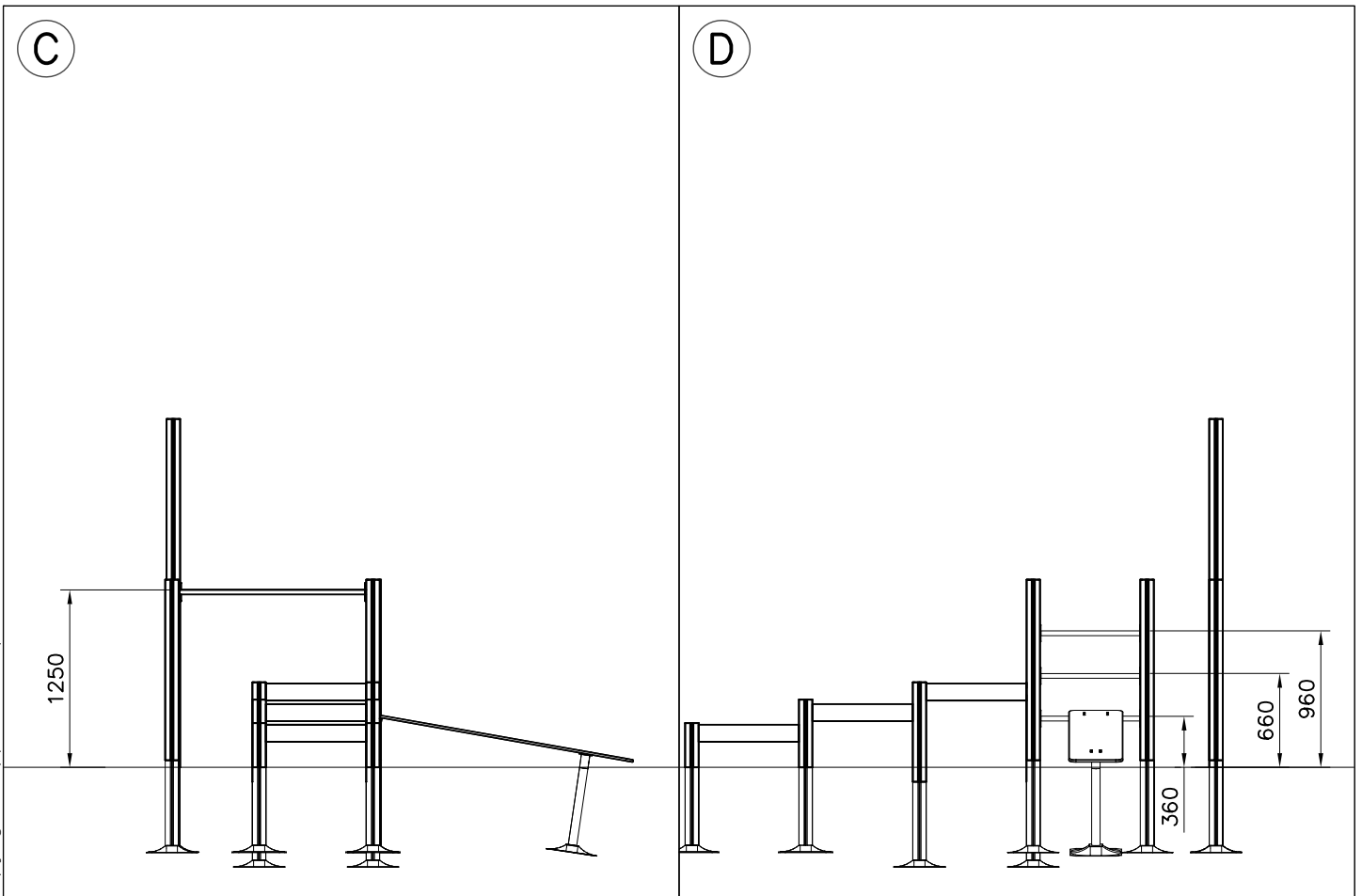
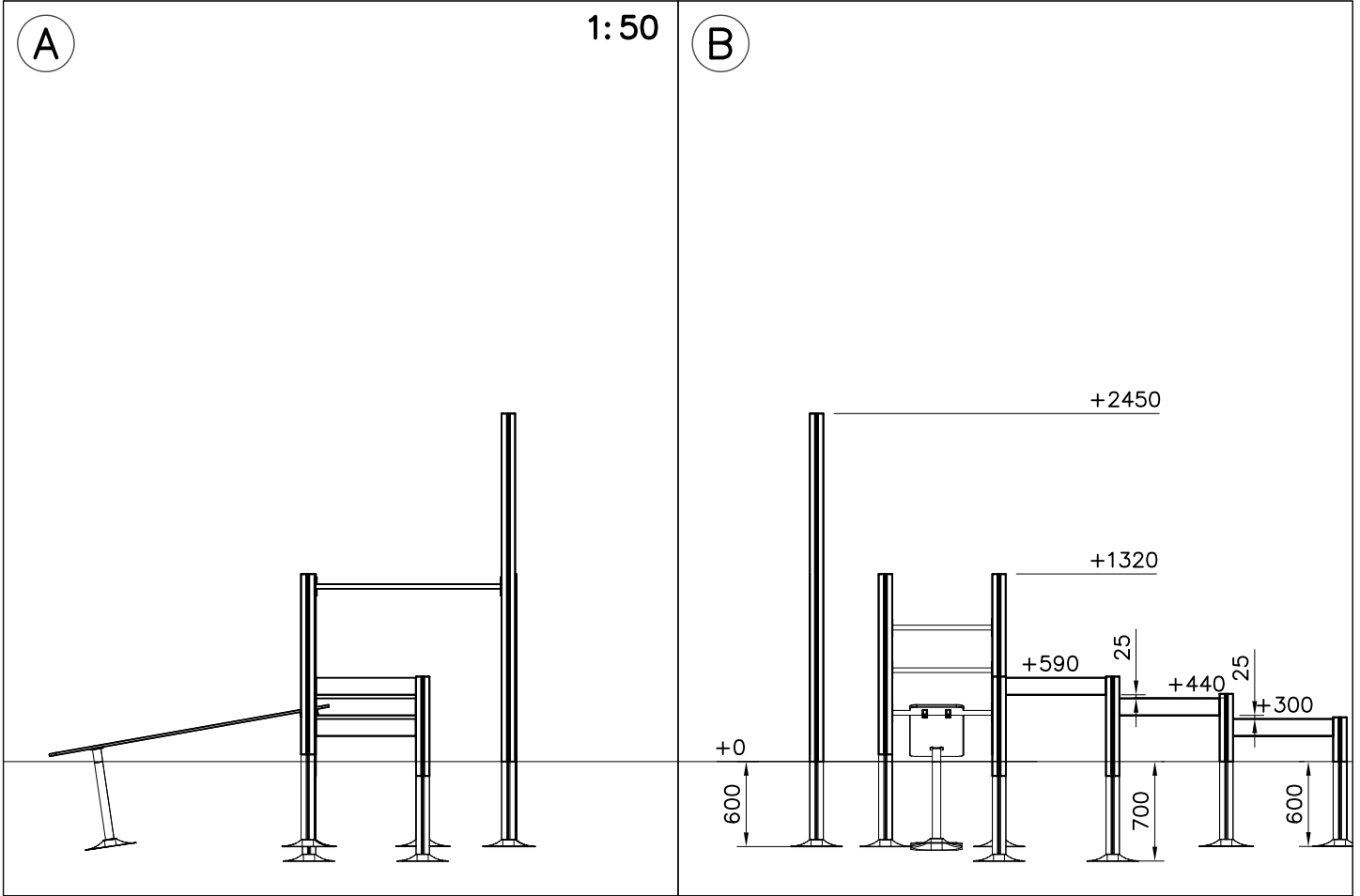


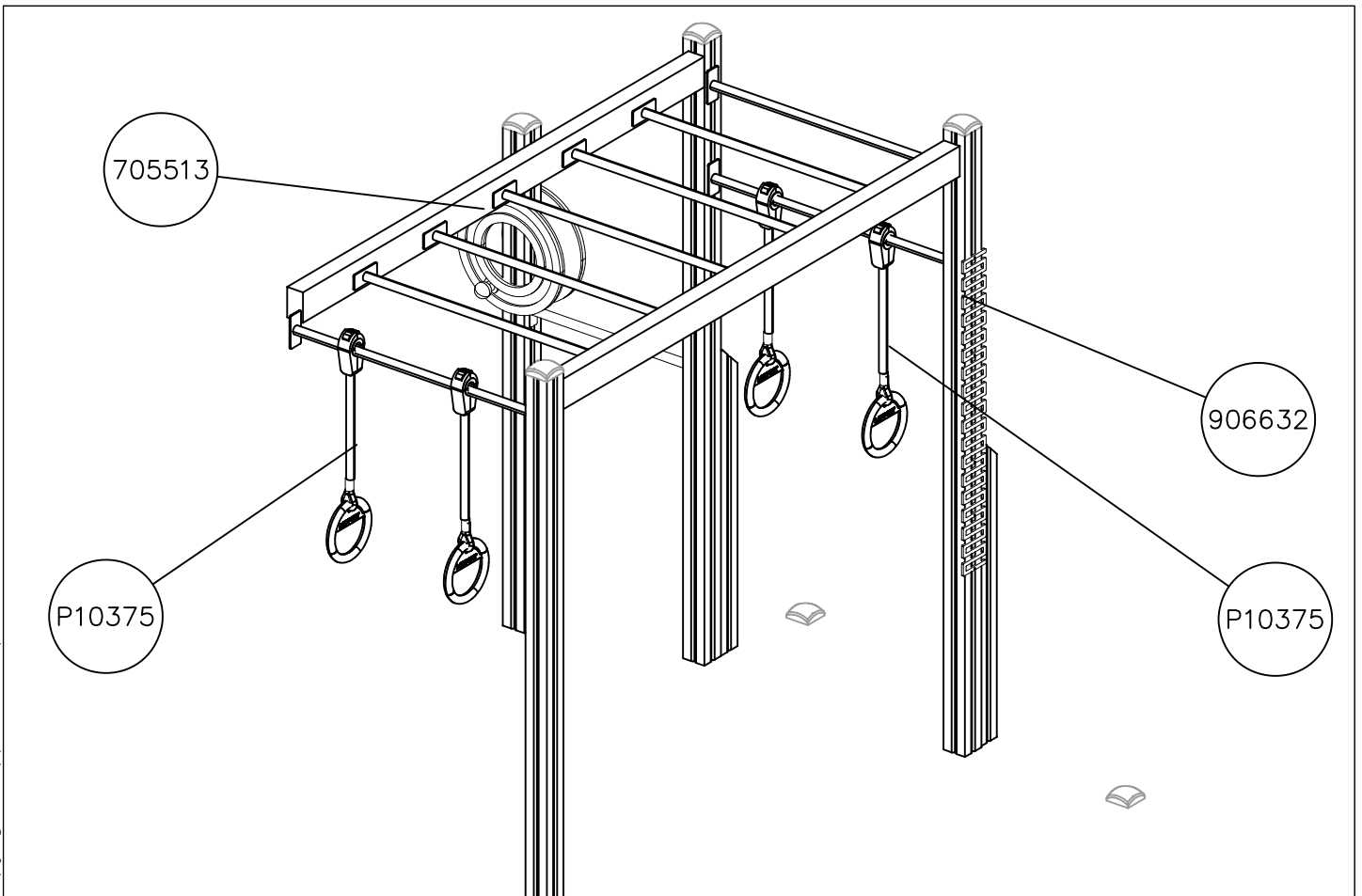
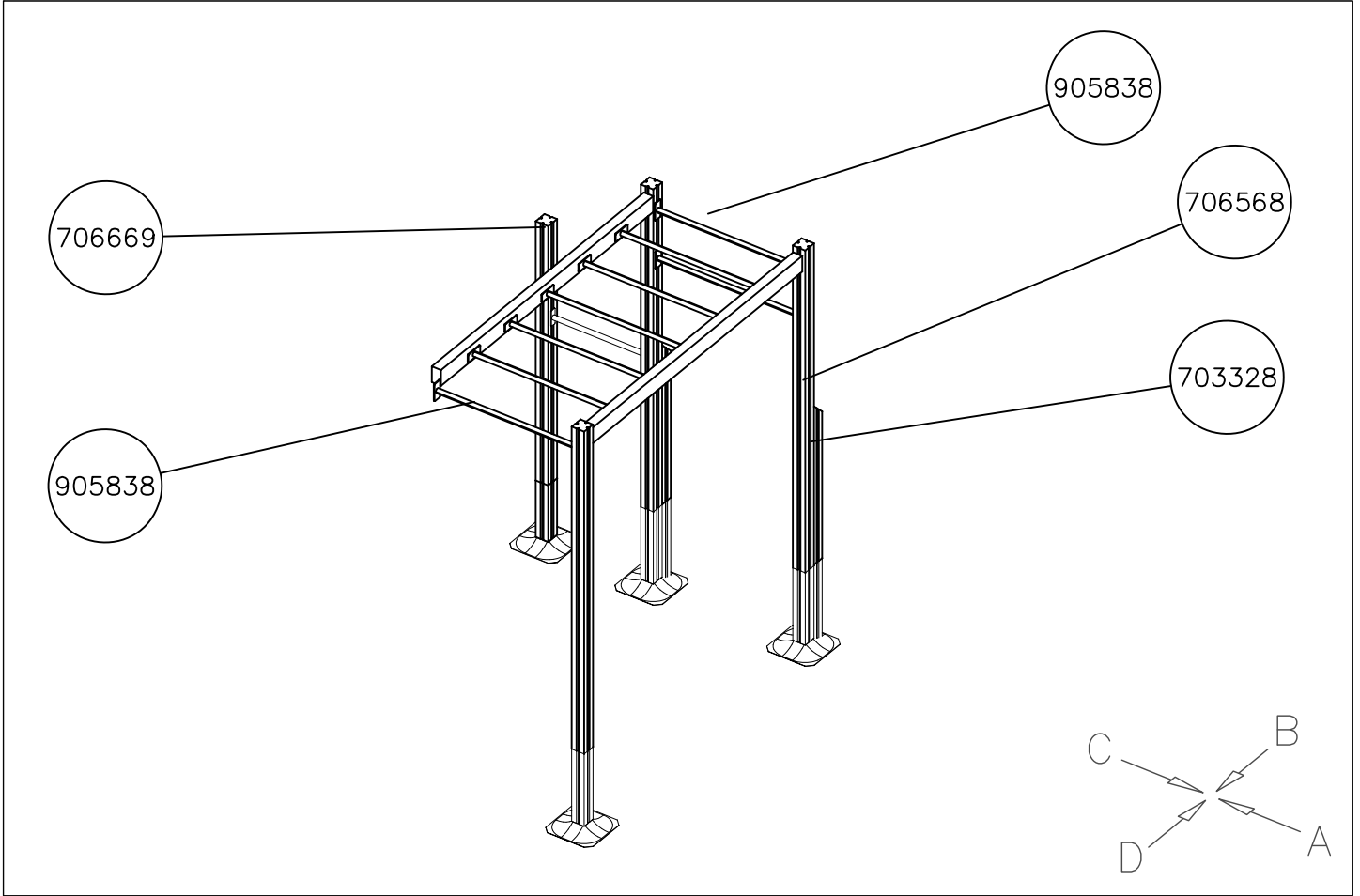
<p>DET 1</p>	<p>DET 2</p>	<p>DET 3</p>	<p>DET 4</p>
<p>DET 5</p>	<p>DET 6</p>	<p>DET 7</p>	<p>DET 8</p>
<p>DET 9</p>			



DATE: 24.8.2022

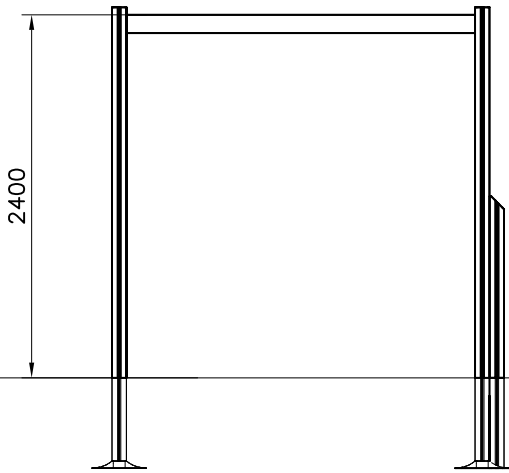
1:50



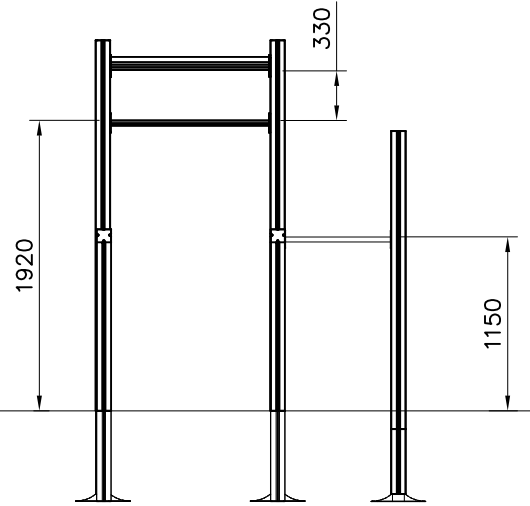


1:50

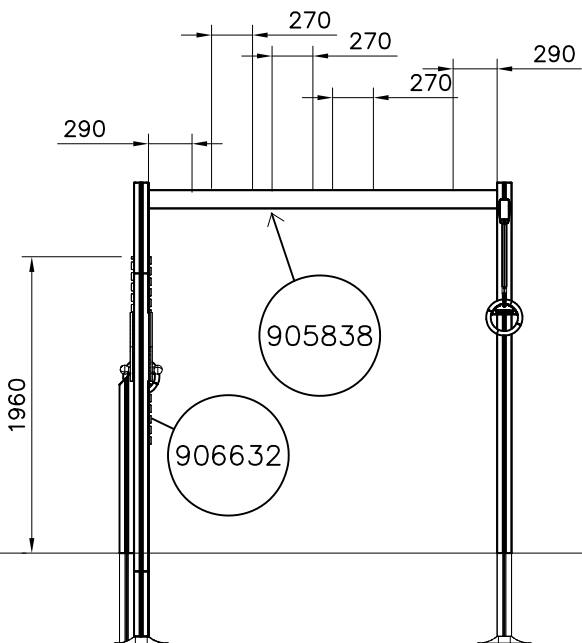
A



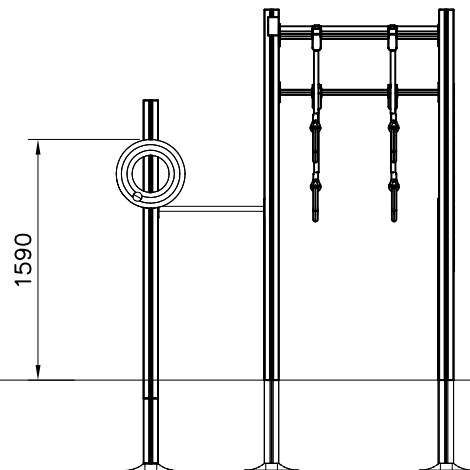
B

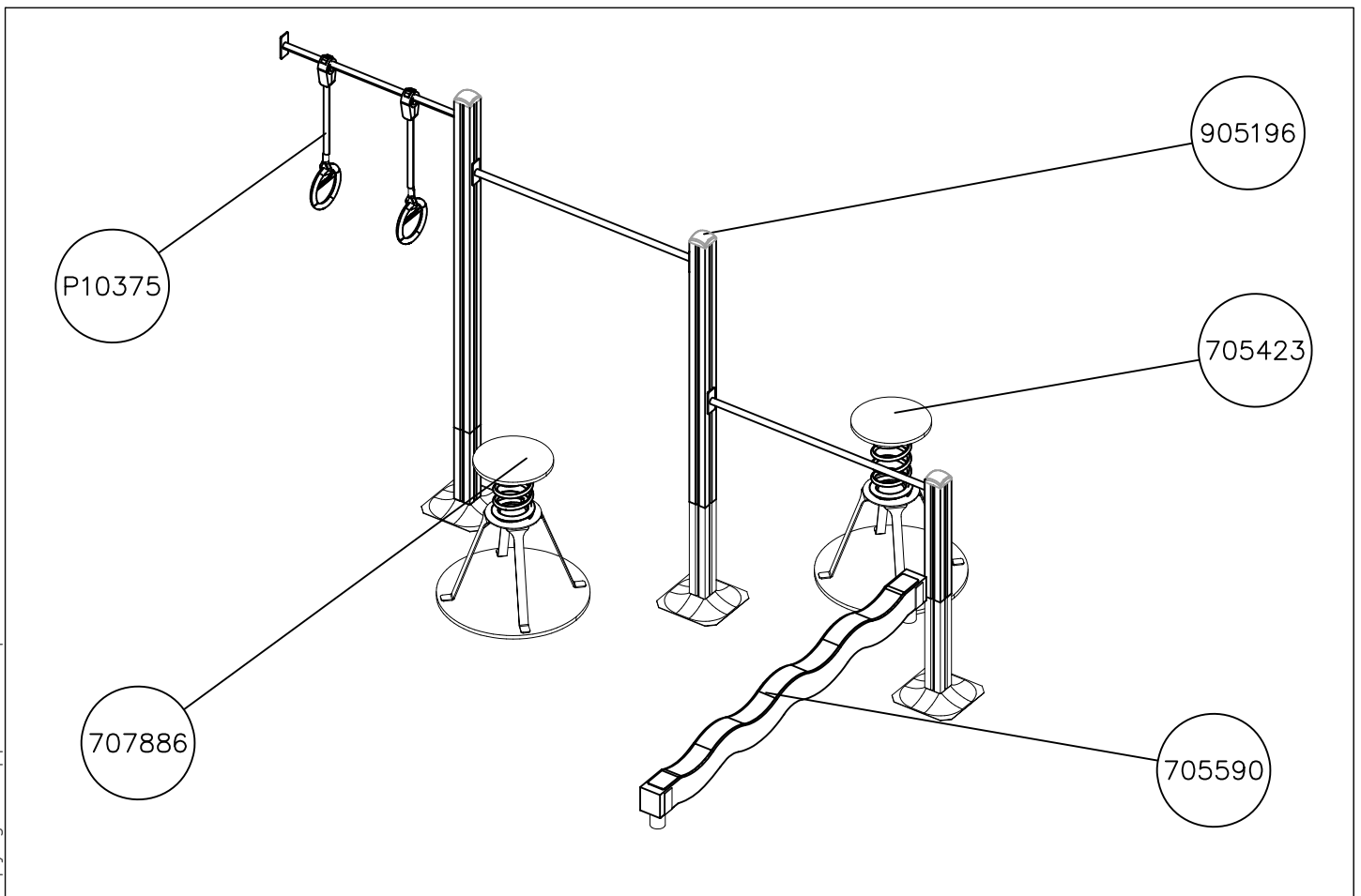
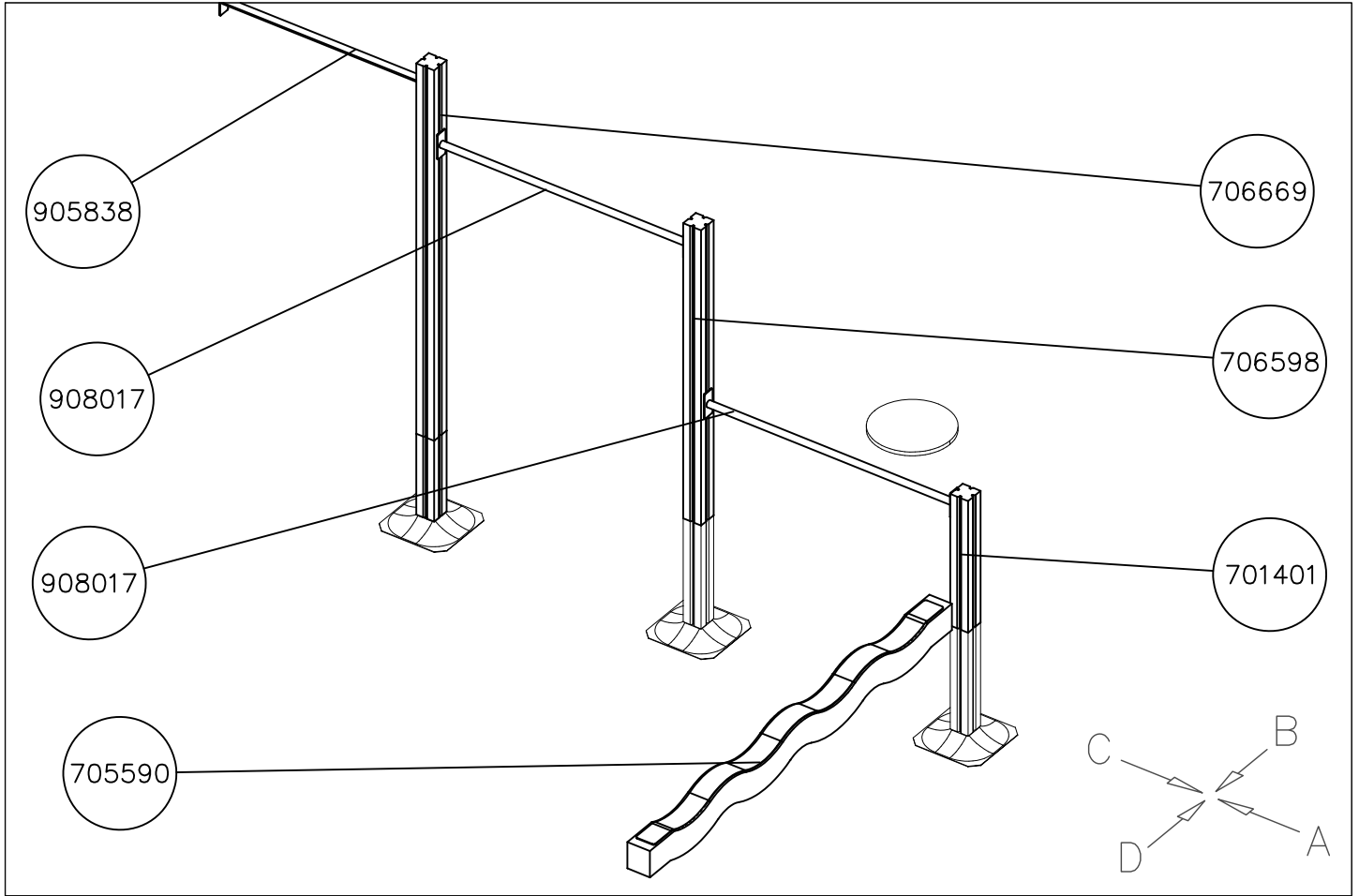


C



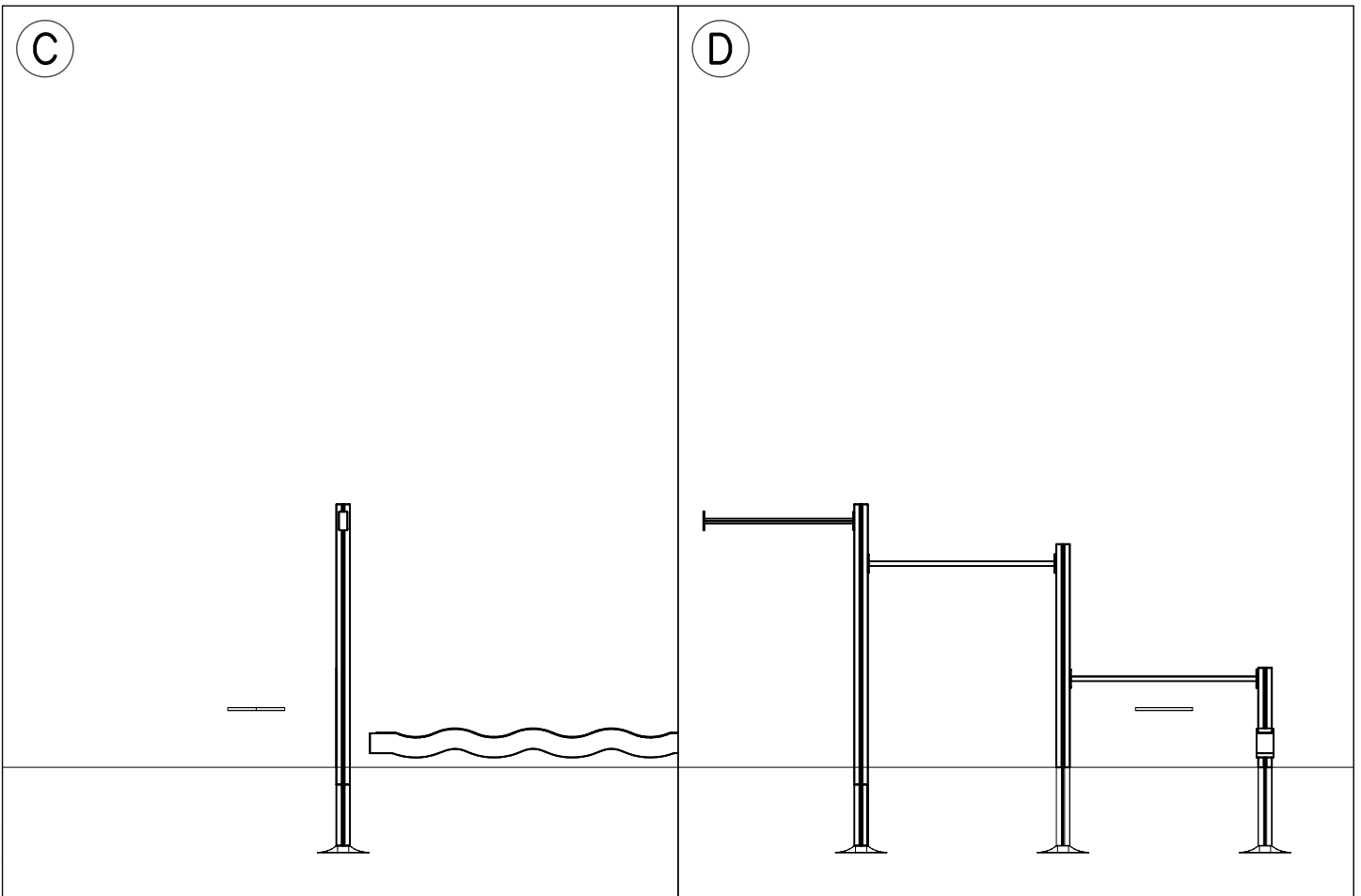
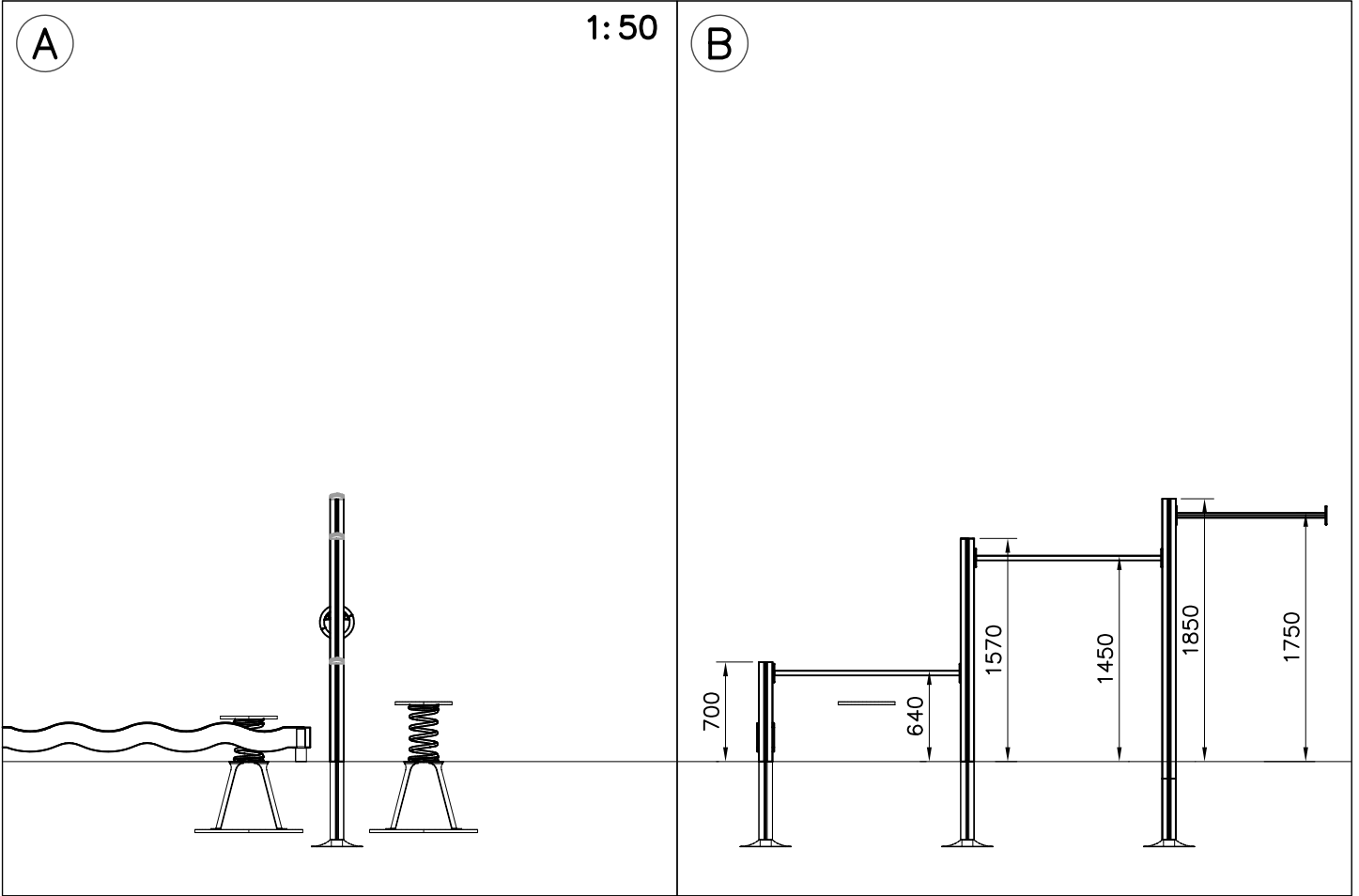
D

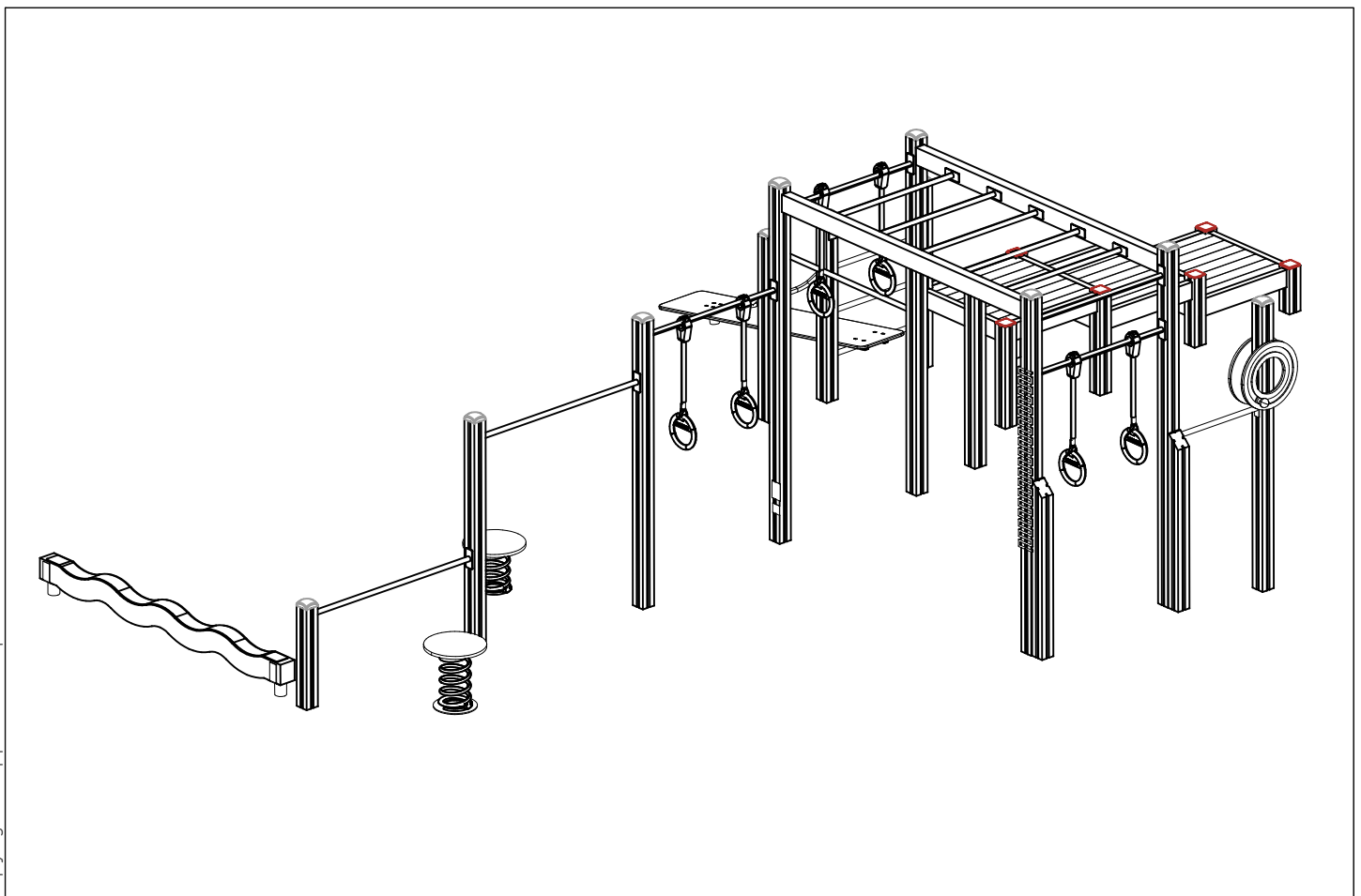
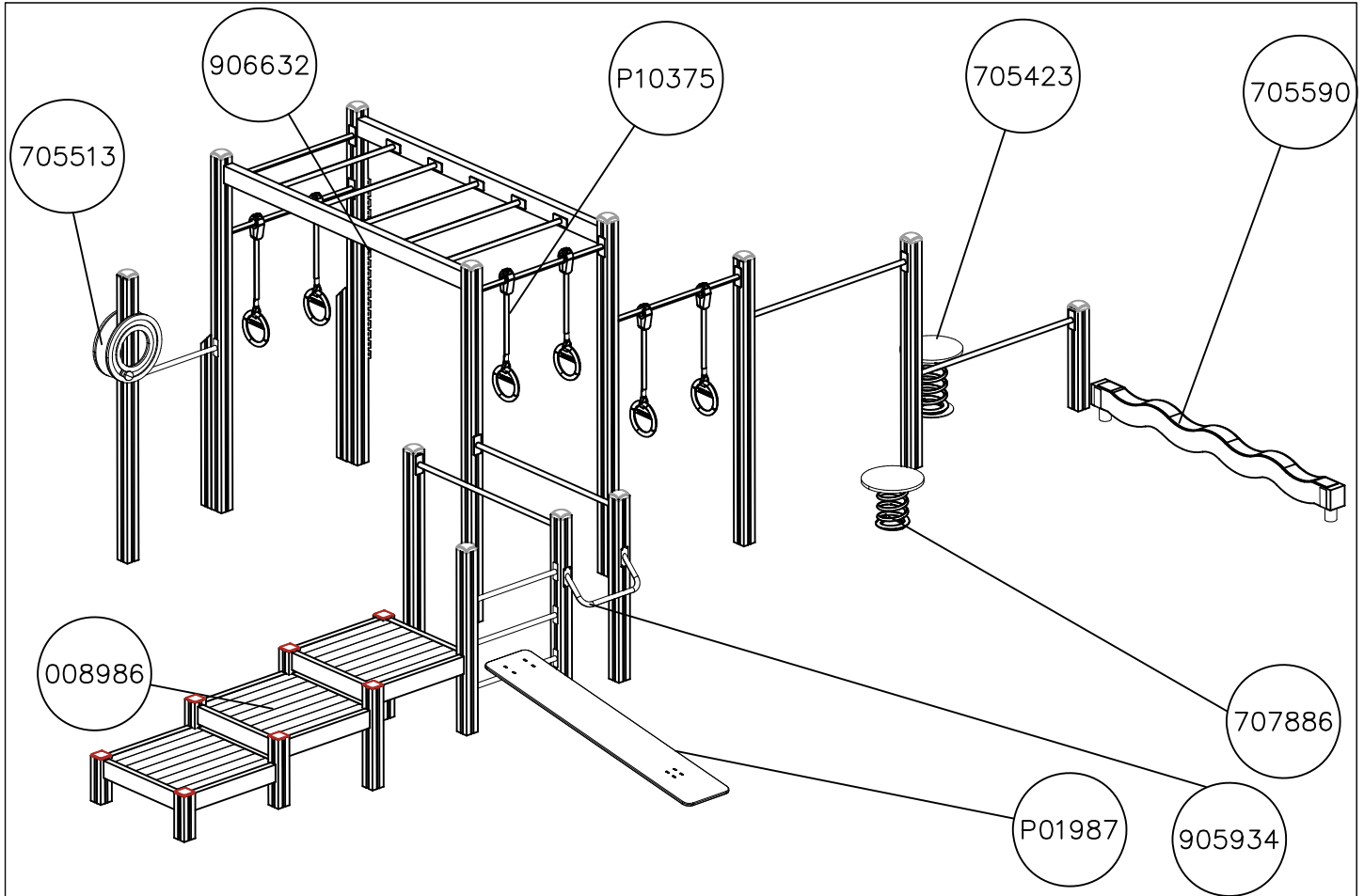




DATE: 24.8.2022

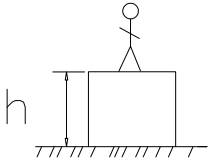



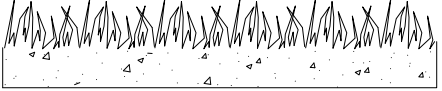
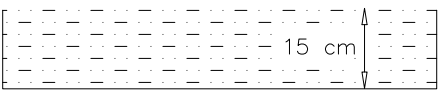
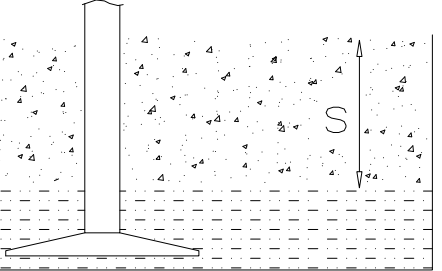
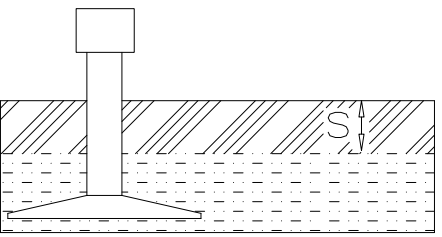
1:50









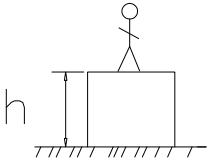


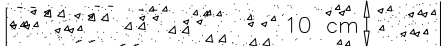
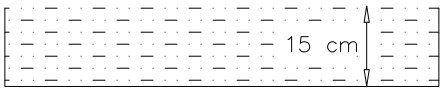
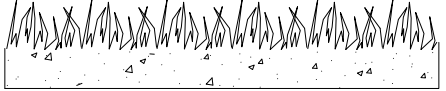
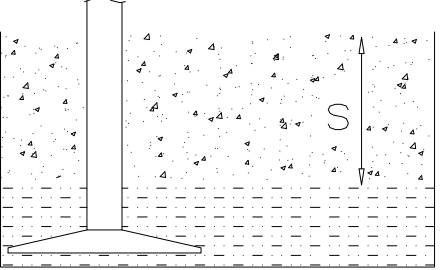
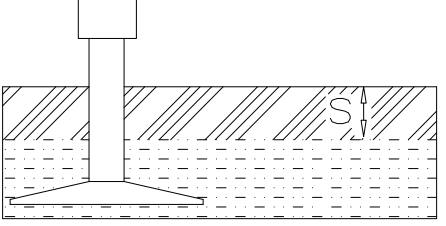
												
<p><b><math>h &lt; 600</math></b></p> <p>Without movement and therefore without Impact Area</p>	<p>Totally hard surfaces.</p> <p>Note. Lappset does <u>not recommend</u> totally hard surfaces at all.</p>	<p>E.g. concrete or asphalt</p> 										
<p><b><math>h &lt; 600</math></b></p> <p>With movement e.g. rocking</p>	<p>Materials with very limited impact attenuating properties.</p>	<p>E.g. wood</p> 										
<p><b><math>h &lt; 1000</math></b></p>	<p>Materials with significant impact attenuating properties.</p>	<p>fine gravel 0–8 mm</p>  <p>grass</p>  <p>unsorted sand</p> 										
<p><b><math>h &lt; 3000</math></b></p>	<p>Loose fill material</p> <p>E.g. sand/gravel 0,25...8 mm D60/D10&lt;3,0 Woodchips 5...30 mm bark 20...80 mm</p>	 <table data-bbox="1024 1691 1332 1780"> <tr> <td><math>\underline{S}</math></td> <td><math>\underline{h}</math></td> </tr> <tr> <td>30 cm</td> <td>&lt; 2,0 m</td> </tr> <tr> <td>40 cm</td> <td>&lt; 3,0 m</td> </tr> </table>	$\underline{S}$	$\underline{h}$	30 cm	< 2,0 m	40 cm	< 3,0 m				
$\underline{S}$	$\underline{h}$											
30 cm	< 2,0 m											
40 cm	< 3,0 m											
	<p>Syntethic granulates</p> <table data-bbox="406 1892 758 2060"> <tr> <td><math>\underline{S}</math></td> <td><math>\underline{h}</math></td> </tr> <tr> <td>40 mm</td> <td>~&gt; 1,2...1,3 m</td> </tr> <tr> <td>50 mm</td> <td>~&gt; 1,5...1,7 m</td> </tr> <tr> <td>60 mm</td> <td>~&gt; 1,8...2,0 m</td> </tr> <tr> <td>70 mm</td> <td>~&gt; 2,1...2,5 m</td> </tr> </table> <p>Note. For accurate values, see manufacturer's instructions.</p>	$\underline{S}$	$\underline{h}$	40 mm	~> 1,2...1,3 m	50 mm	~> 1,5...1,7 m	60 mm	~> 1,8...2,0 m	70 mm	~> 2,1...2,5 m	
$\underline{S}$	$\underline{h}$											
40 mm	~> 1,2...1,3 m											
50 mm	~> 1,5...1,7 m											
60 mm	~> 1,8...2,0 m											
70 mm	~> 2,1...2,5 m											

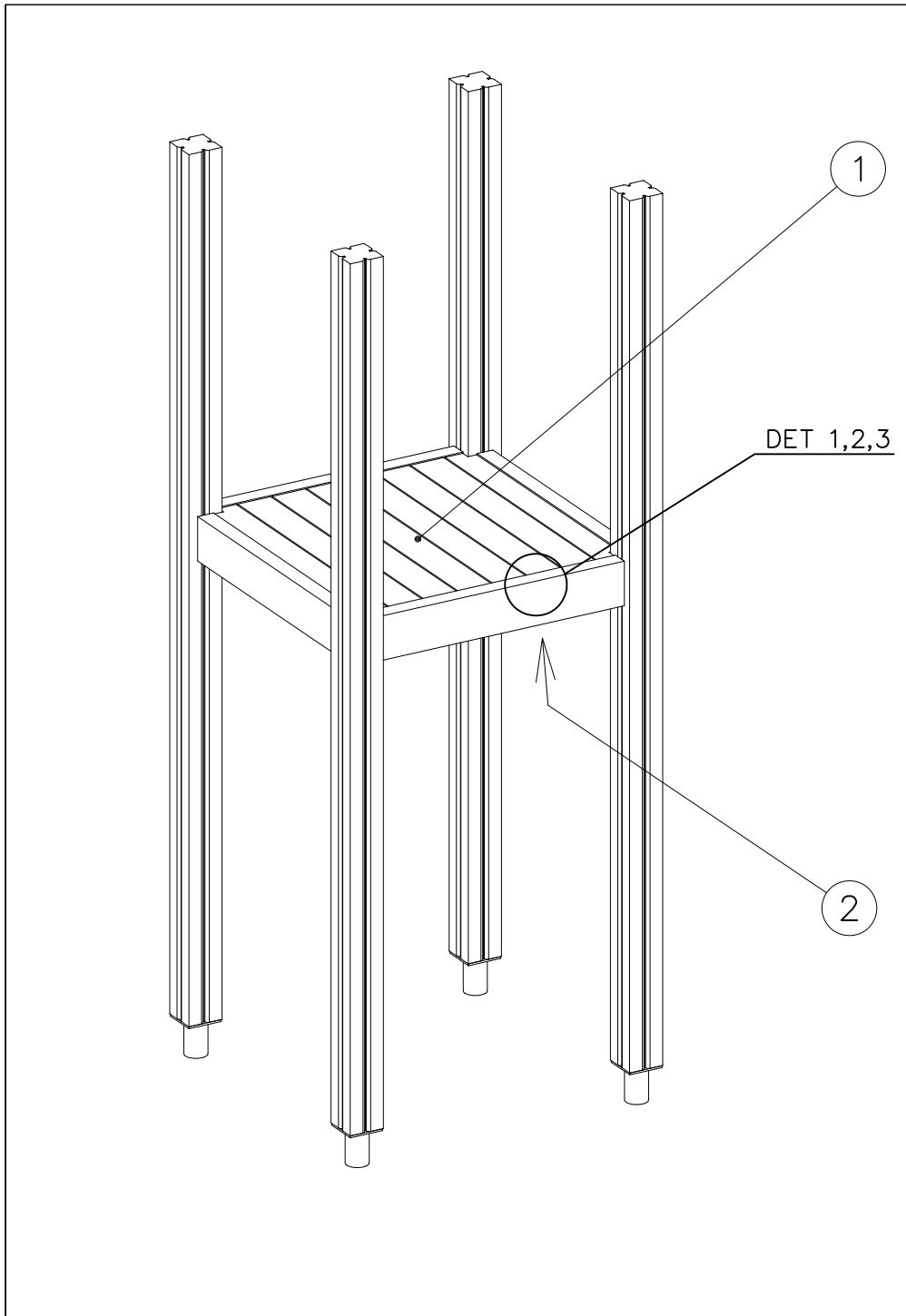
REMOVE SAFETY SURFACE/SAND/GRAVEL  
TO CHECK FOUNDATION



REMOVE SAFETY SURFACE/SAND/GRAVEL  
TO CHECK FOUNDATION



		
<p><b>h &lt; 1000</b></p>	<p>Totally hard surfaces or materials with very limited impact attenuating properties.</p> <p>Case by case risk assessment is needed including e.g. evaluation whether there is forced movement, what is the intended exercise and where will the product be installed.</p>	<p>Totally hard surfaces. E.g. concrete or asphalt</p>  <p>Materials with very limited impact attenuating properties. E.g. wood</p> 
<p><b>h &lt; 1200</b></p>	<p>Materials with significant impact attenuating properties.</p>	<p>fine gravel 0–8 mm</p>  <p>Unsorted sand/ topsoil</p> 
<p><b>h &lt; 1500</b></p>	<p>Lawn</p> 	
<p><b>h &lt; 3000</b></p>	<p>Loose fill material</p> <p>E.g. sand/gravel 0,25...8 mm D60/D10&lt;3,0 Woodchips 5...30 mm bark 20...80 mm</p>	 <p><math>\underline{S}</math>                      <math>\underline{h}</math></p> <p>30 cm                      &lt; 2,0 m 40 cm                      &lt; 3,0 m</p>
<p>Syntetic granulates</p> <p><math>\underline{S}</math>                      <math>\underline{h}</math></p> <p>40 mm    ~ &gt; 1,2...1,3 m 50 mm    ~ &gt; 1,5...1,7 m 60 mm    ~ &gt; 1,8...2,0 m 70 mm    ~ &gt; 2,1...2,5 m</p> <p>Note. For accurate values, see manufacturer's instructions.</p>		



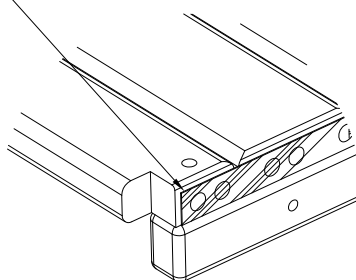
① 008986	PCS	② 706443	PCS
	1		2
750x750		32x45x702	
③ 900240	PCS	④ 980101	PCS
	6		8
Ø8x70		Ø4.5x70	
	PCS		PCS
	PCS		PCS
	PCS		PCS

DET 1

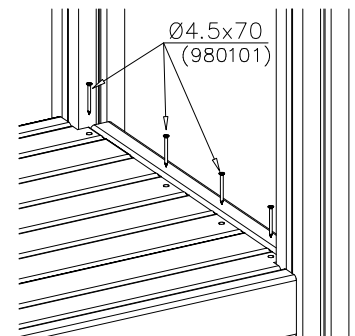


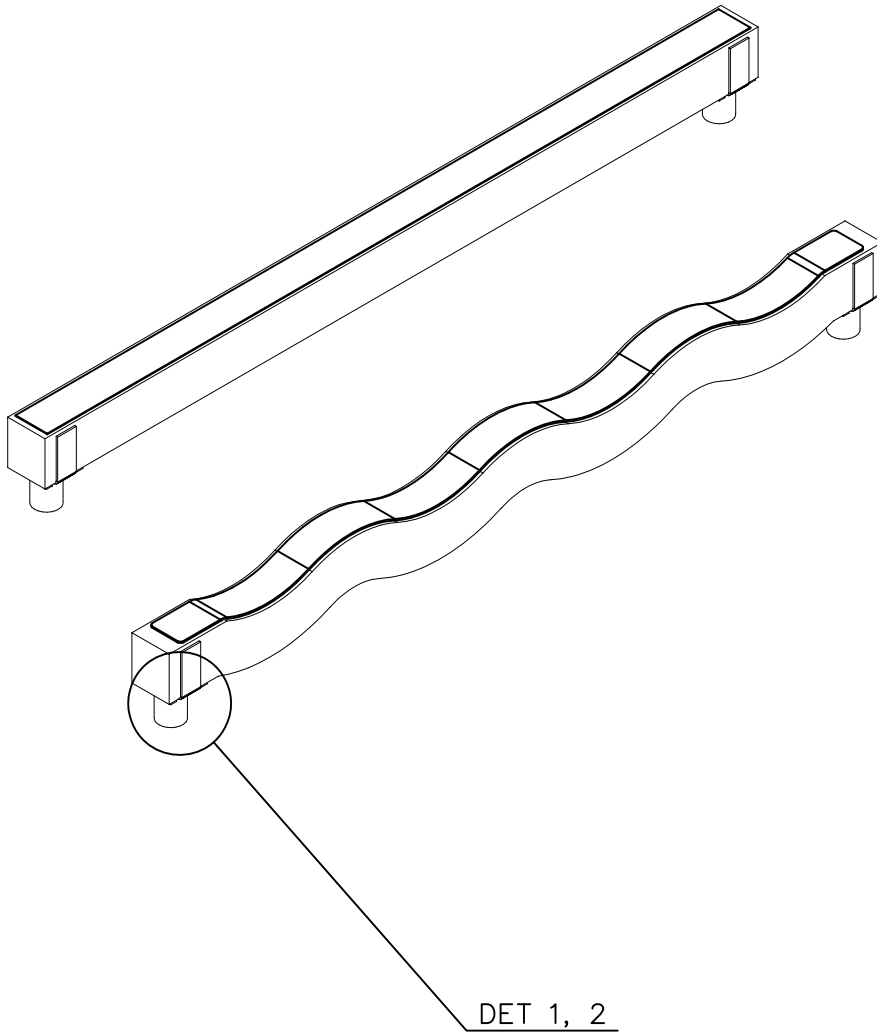
DET 2





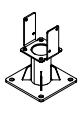
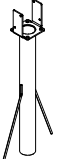
Naulanauha kannatinlistan puolelle.  
Nail list to the bottom.



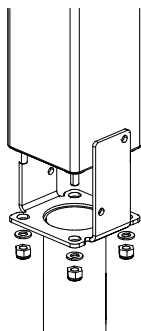
DET 3





① 980123	PCS	② 909256	PCS
	8		8
Ø7x60		Ø16/8.4	
	PCS		PCS
	PCS		PCS
	PCS		PCS
○ 705566	PCS	○ 705590	PCS
			
140x120x2294		120x200x2294	
○ 905780	PCS	○ 905761	PCS
			
SURFACE		DEEP	
	PCS		PCS
	PCS		PCS

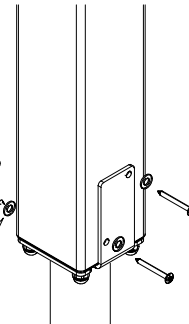
DET 1



DET 2

Ø7x60  
(980123)

Ø16/8.4  
(909256)

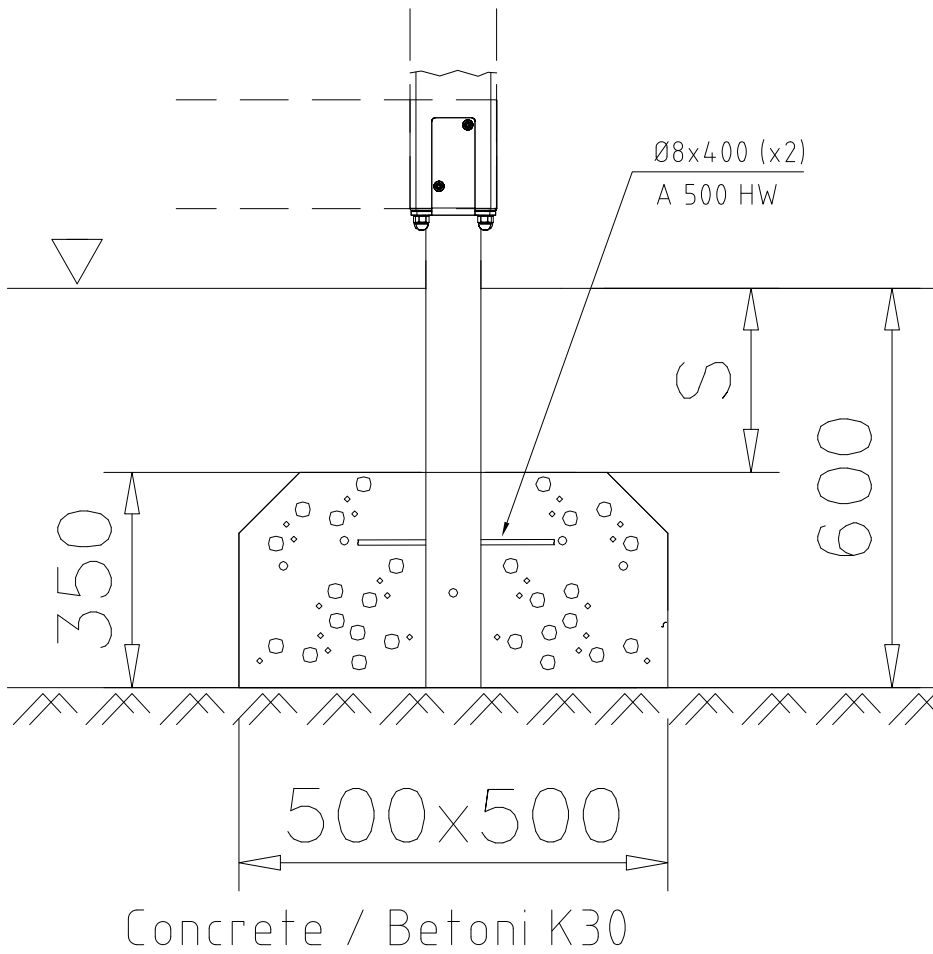




# LAPPSET® CONC. FOUNDATION

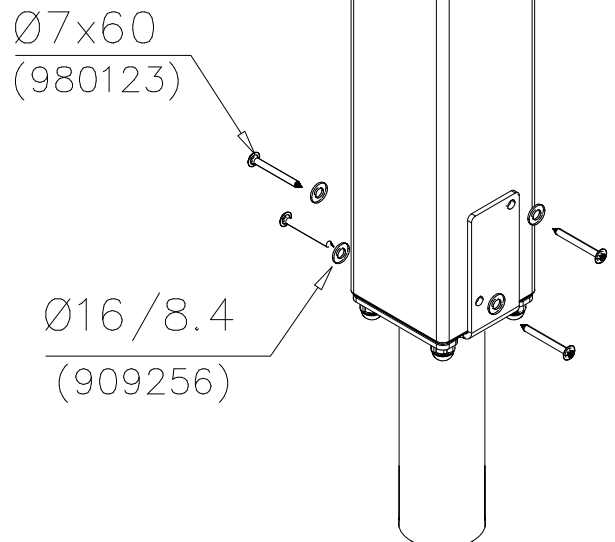
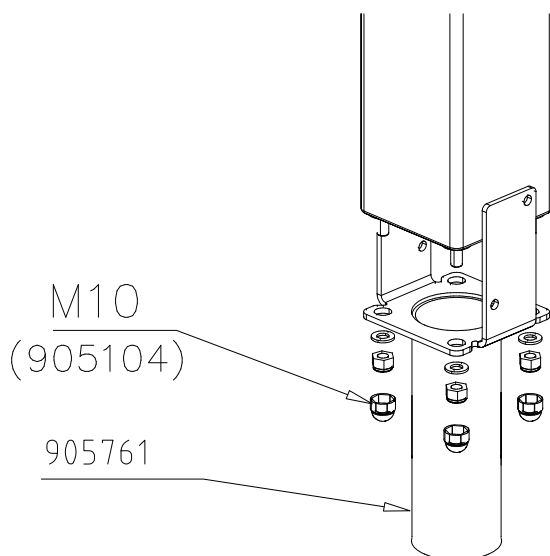
# FOOT 120x120 POST & BEAM

DATE: 21.4.2016

4A



① 905104	PCS		PCS
	4		
			
M10			
	PCS		PCS
	PCS		PCS
	PCS		PCS
○ 905761	PCS		PCS
			
CONCRETE			

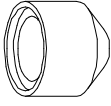


# LAPPSET® BETON FOUNDATION

# FOOT

DATE: 27.10.2015

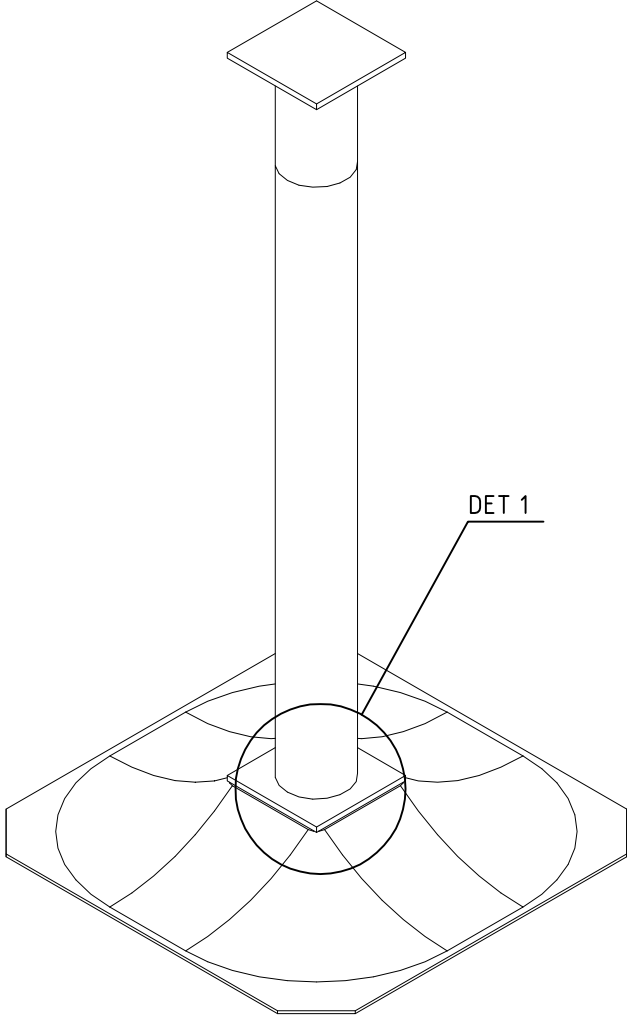
1(1)


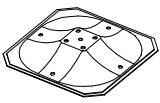


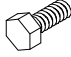
② 905104	PCS		PCS
	4		
			
	M10		
	PCS		PCS



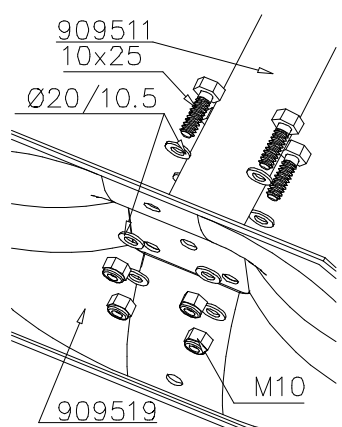
905104





①	909511	PCS	②	909519	PCS
		1			1
③	909637	PCS	④	909638	PCS
		4			8
	M10			Ø20/10.5	
⑤	909639	PCS			PCS
		4			
	M10x25				
		PCS			PCS
		PCS			PCS
		PCS			PCS
		PCS			PCS
		PCS			PCS

DET 1



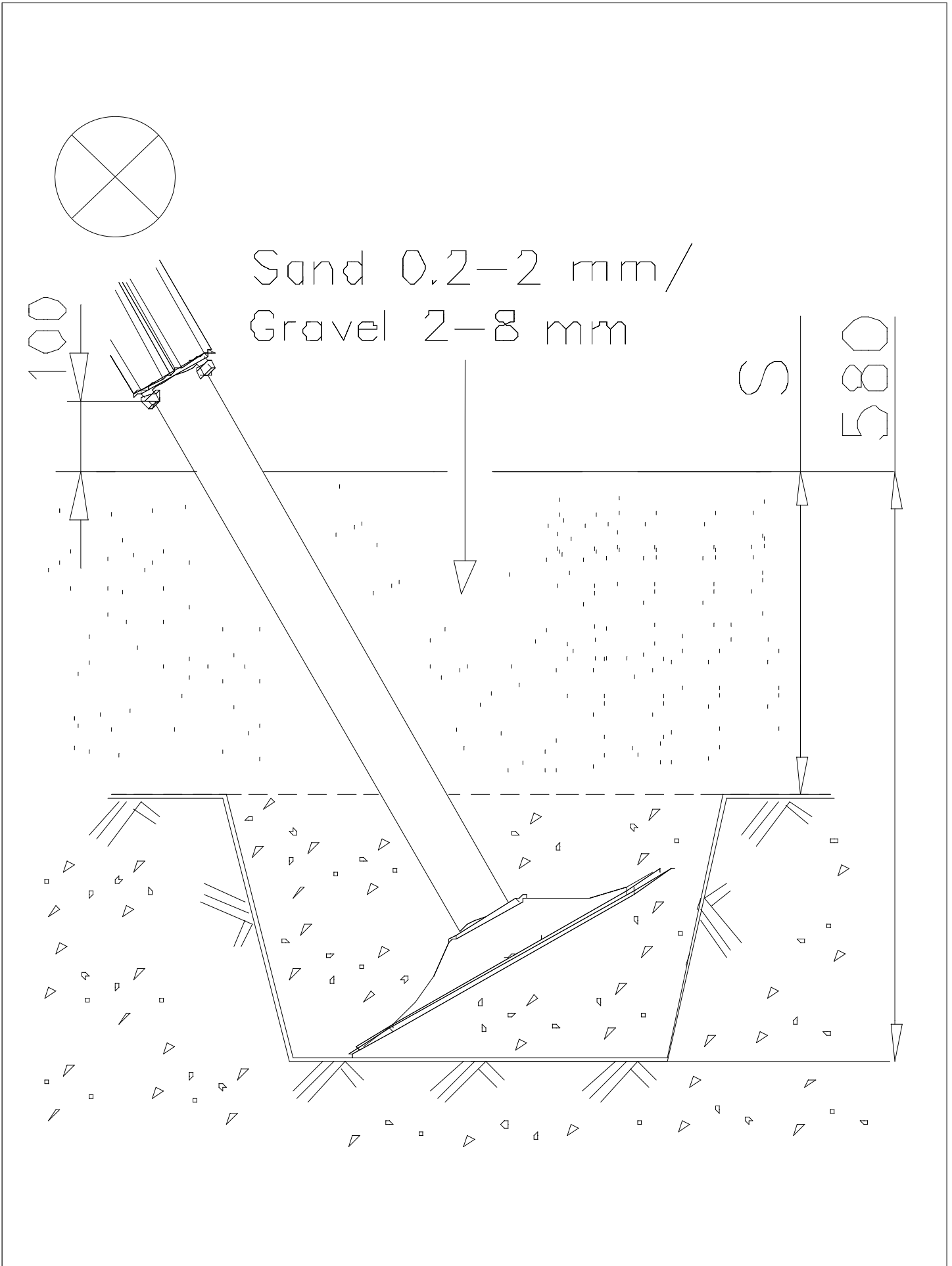
**LAPPSET®**  
**DEEP FOUNDATION**

**FOOT**

DATE: 13.3.2014

**4A**





**Tuotekyltti tulee tuotteen mukana yhdellä seuraavista tavoista:****1) Metallinen tuotekyltti ja kiinnitysruuvit**

- Kiinnitä tuotekyltti ruuveilla tolppaan noin 2 metrin korkeuteen kuvan 1 mukaisesti.

**2) Tuotekylttitarra**

- Puhdista maalattu metalli- tai vaneripinta pölystä ja kosteudesta. Liimaa tarra kuvan 2 mukaisesti.
- Huom. Älä kiinnitä tarraa karheapintaiseen laminaattiin tai maalattuun puuhun.

**Vår produktmärkning levereras på ett av följande sätt:****1) Produktskylt i metall**

- Fäst skylten med de medföljande skruvarna

**2) Självhäftande produktetikett**

- Rengör den pulverlackerade metallytan eller laminatyten så att den blir fri från smuts och fukt. Fäst etiketten enligt fig. 2.
- Obs! Fäst ej etiketten på detaljer med skrovlig yta eller på målat trä.

**Product label is delivered by one of following ways:****1) Metal product label and screws**

- Fasten the label with screws.

**2) Label sticker**

- Clean the painted metal or plywood surface from dirt and moisture. Fasten the sticker as shown in the figure 2.
- Note. Do not attach the sticker to rough surfaced laminate or painted wood.

**La plaque d'informations produit est livrée sous l'une de ces 3 formes :****1) Plaque métallique et vis**

- Fixez la plaque à l'aide des vis.

**2) Etiquette autocollante**

- Avant de coller l'étiquette, nettoyez le composant métallique peint ou la plaque de contreplaqué, de toute saleté. La surface doit être sèche (voir image 2).
- Attention, ne pas coller l'étiquette sur une surface lamellé-collée irrégulière ou sur du bois peint.

**Die Auslieferung des Produktaufklebers erfolgt auf eine dieser Arten:****1) Produkt-Schild aus Metall incl. Schrauben**

- Die Befestigung des Schildes erfolgt mittels der Schrauben.

**2) Aufkleber**

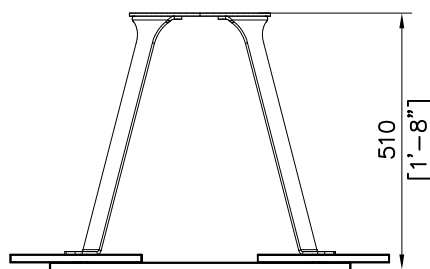
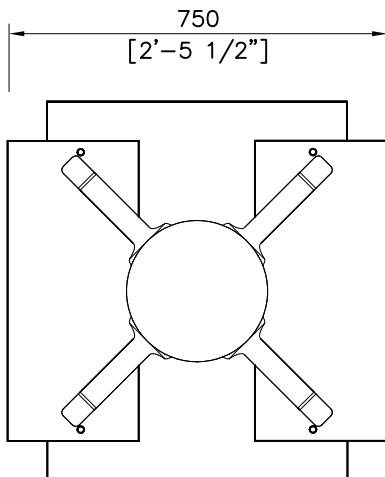
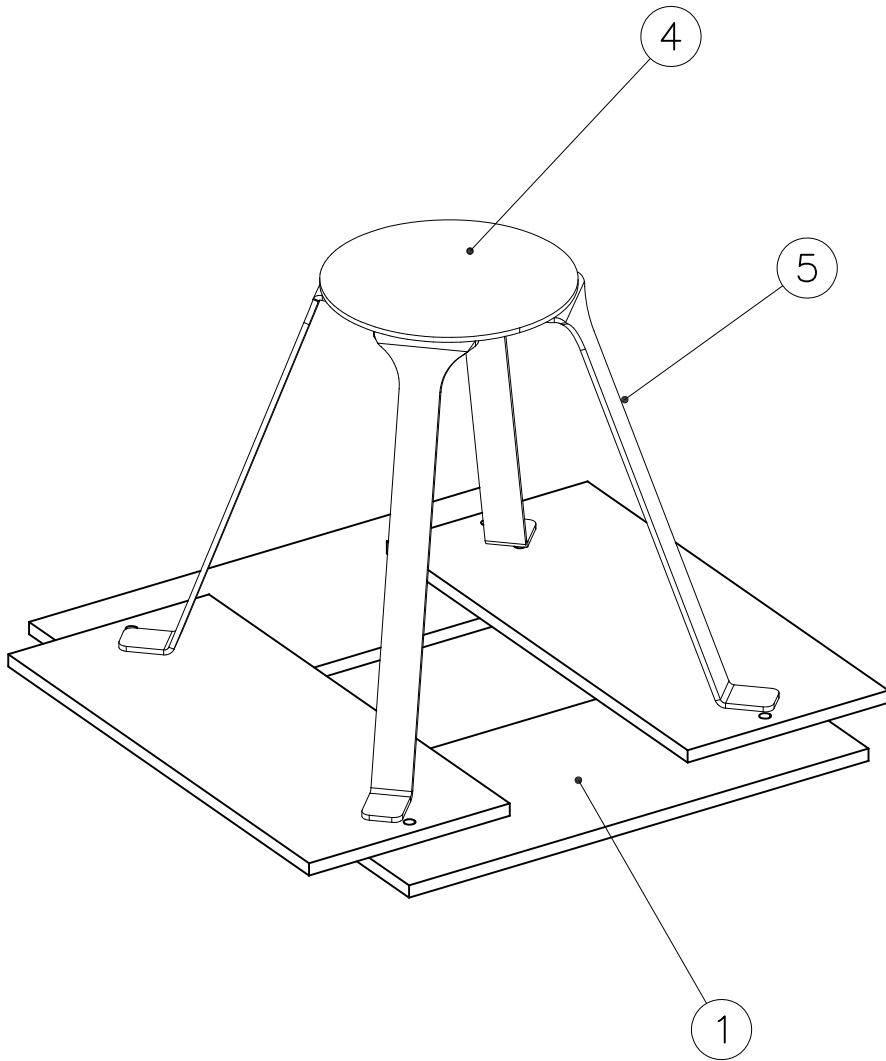
- Entfernen Sie zunächst Schmutz und Feuchtigkeit vom lackierten Metall bzw. von der Holzoberfläche und bringen Sie den Aufkleber wie im Bild oben rechts beschrieben auf den gesäuberten Untergrund auf.
- Beachten Sie: Bringen Sie den Aufkleber nicht auf raues laminiertes oder lackiertes Holz an.

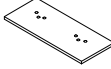

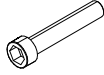




# LAPPSET® GROUNDING

# 705101

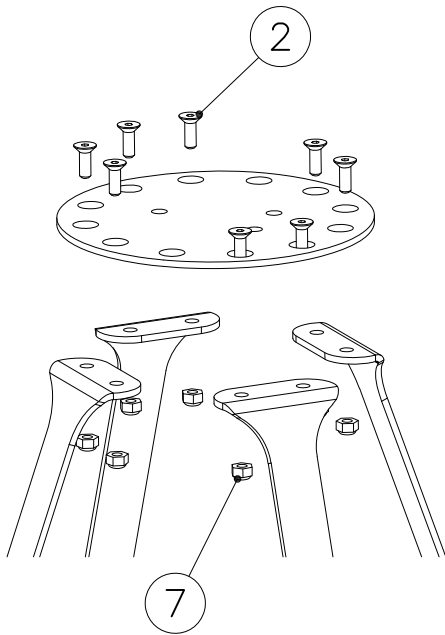
DATE: 5.6.2023

# 1(2)

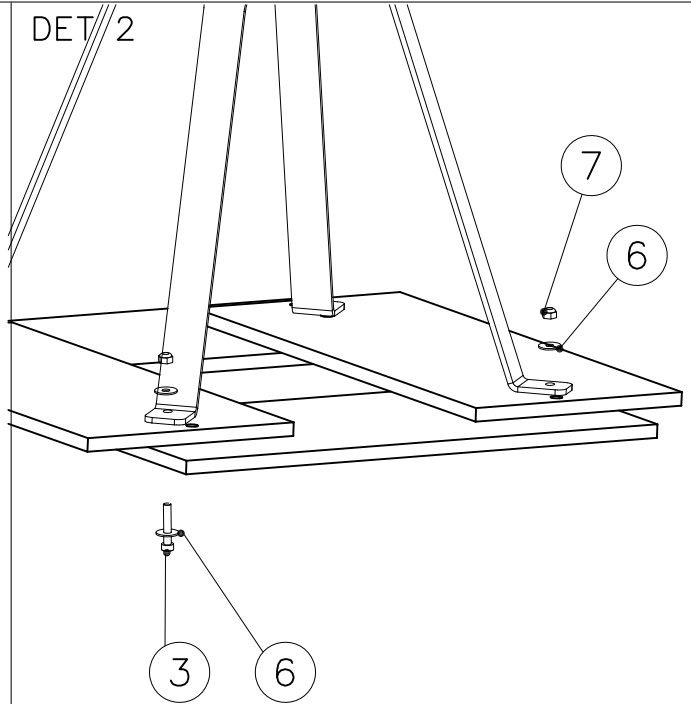


①	707138	PCS	②	900958	PCS
		4			8
	260x595			M10x30	
③	902232	PCS	④	905993	PCS
		4			1
	M10x55				
⑤	906000	PCS	⑥	909255	PCS
		4			8
				Ø30/10.5	
⑦	980161	PCS			PCS
		12			
	M10				
		PCS			PCS
		PCS			PCS
		PCS			PCS

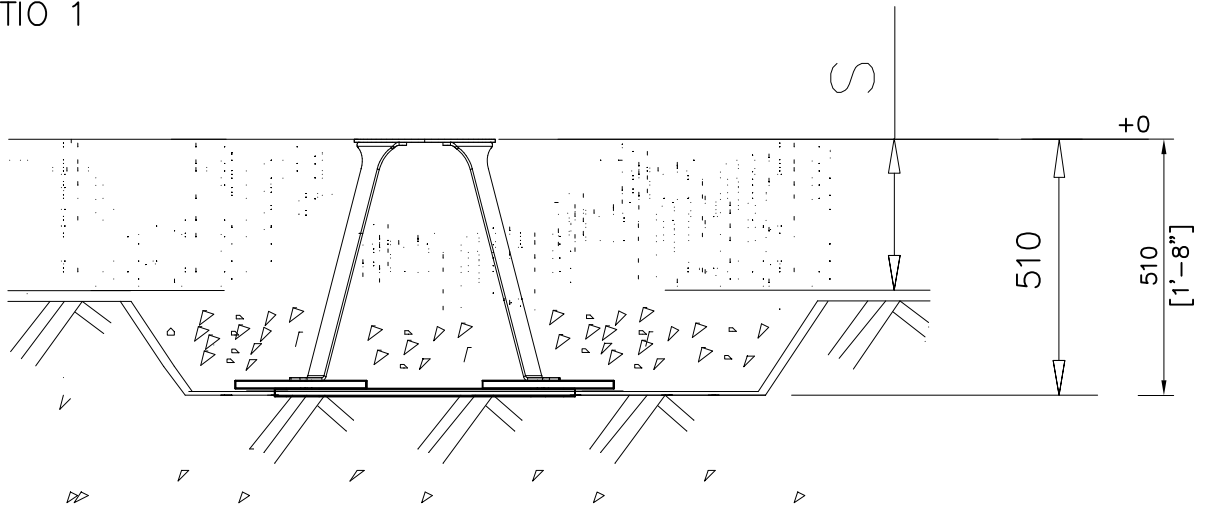
DET 1



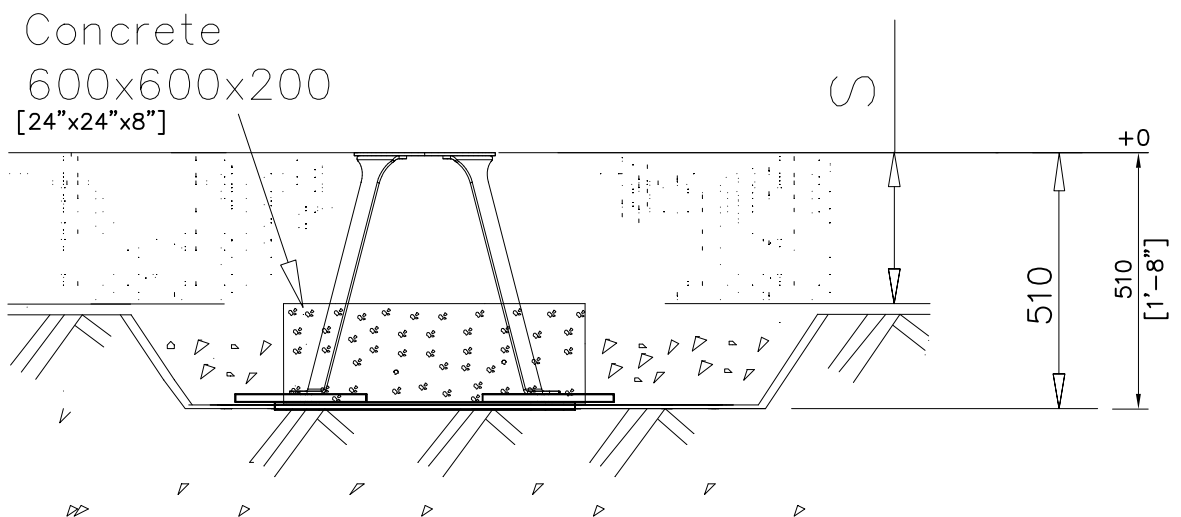
DET 2

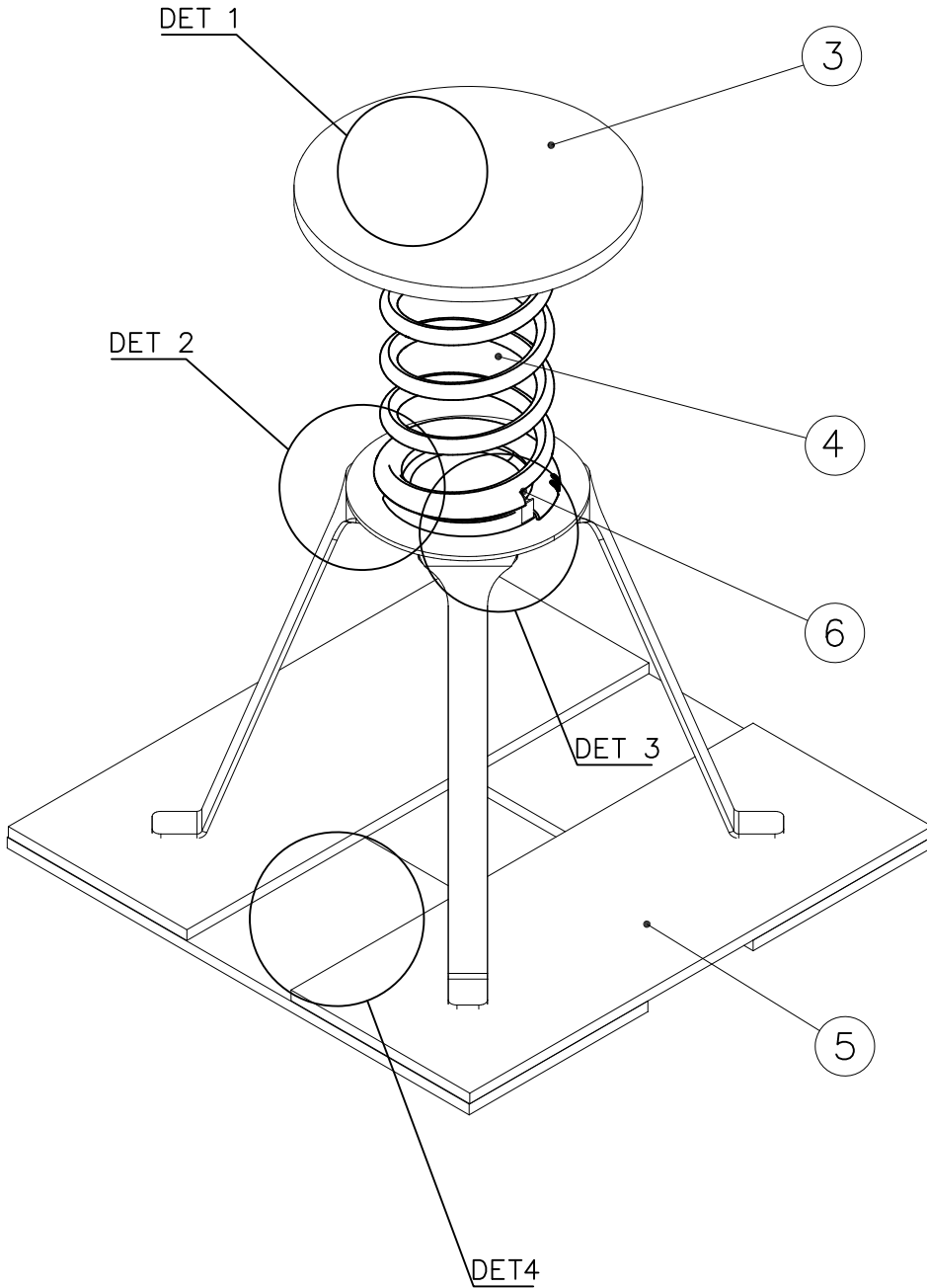


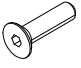
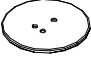
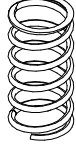
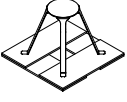
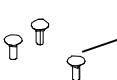


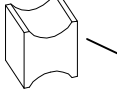
DET 3 OPTIO 1

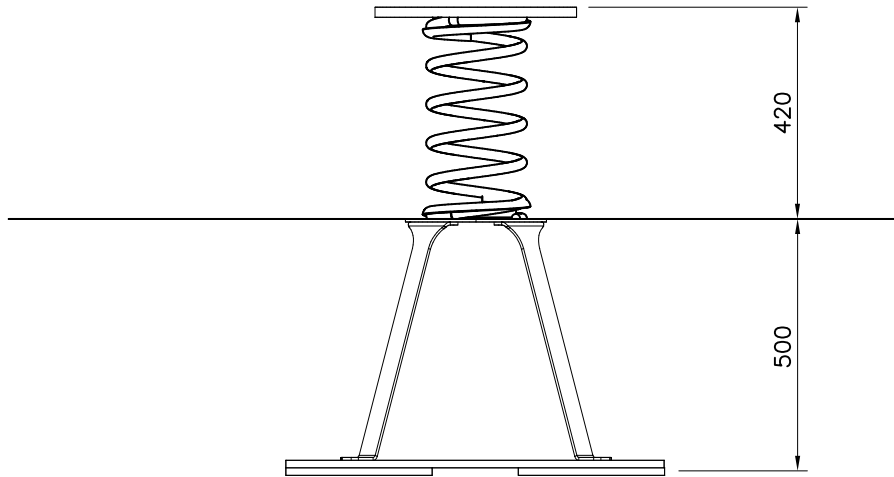


DET 3 OPTIO 2 (WITH CONCRETE)

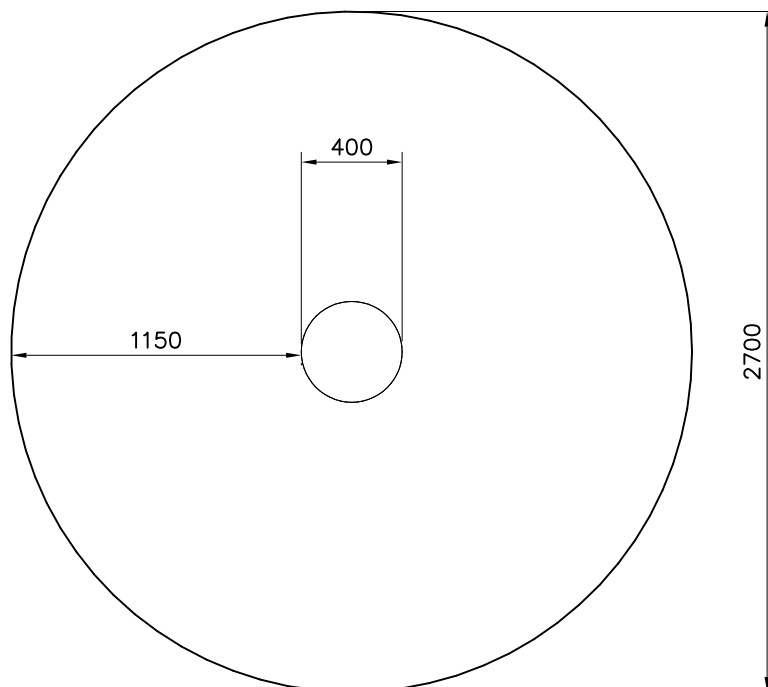




①	702286	PCS	②	901487	PCS
		1			3
	90x50		M10x40		
③	705432	PCS	④	903192	PCS
		1			1
	Ø400		20x200		
⑤	705101	PCS			PCS
		1			
			⑥	903191	PCS
					2
			M10x35 (902252)		
					
			Ø20/10.5x2 (901302)		PCS
					
			M10 (909637)		
					
			19x21x25 (903193)		
		PCS			PCS
		PCS			PCS
		PCS			PCS

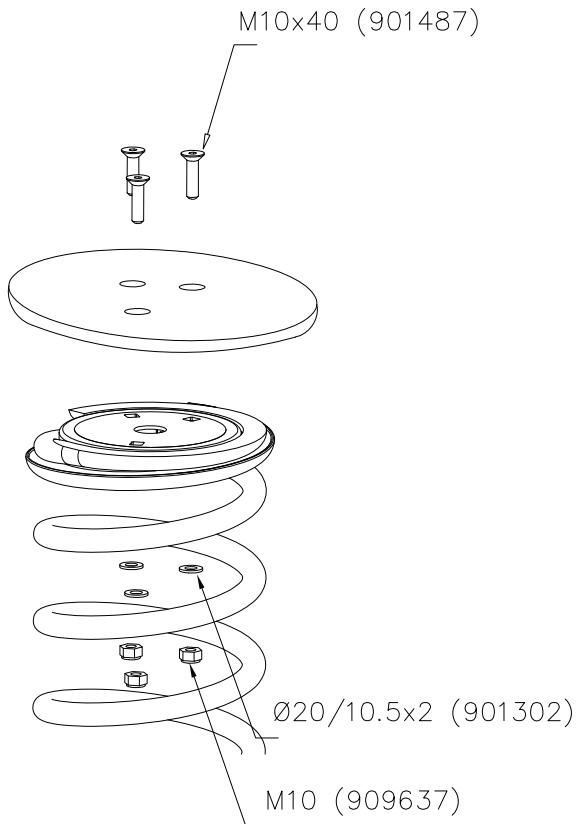


- EN Impact Area 5.7 m<sup>2</sup>
- Falling Space 5.7 m<sup>2</sup>
- Max Falling Height 420 mm

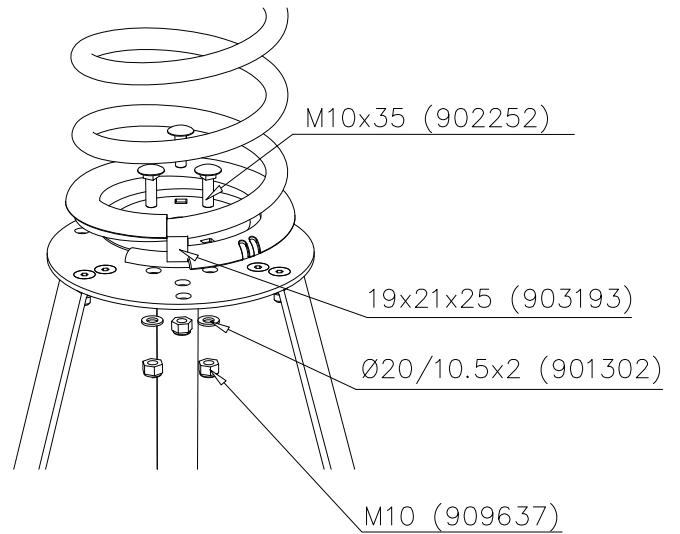




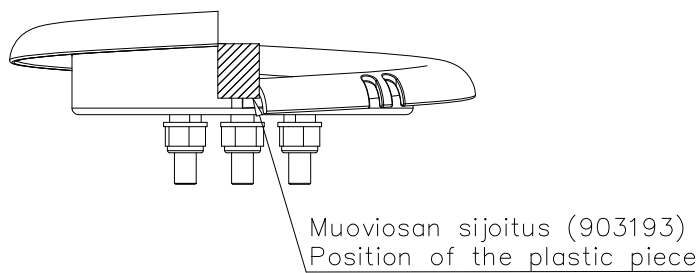
DET 1



DET 2



DET 3



DET 4 705101 OPTIO 1

