

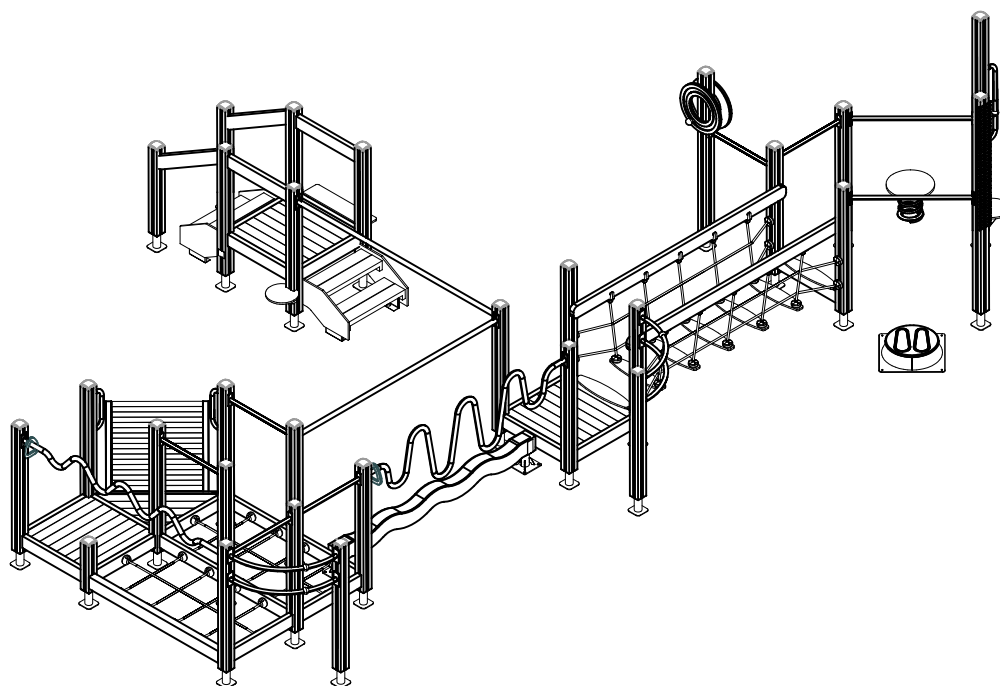
# LAPPSET®

## SENIOR


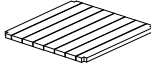

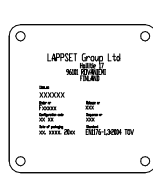
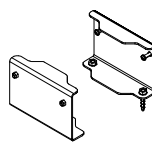

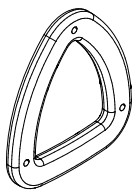

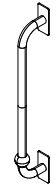

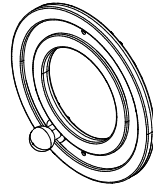
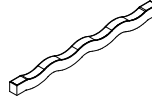
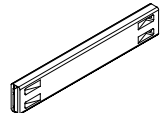
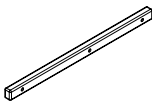
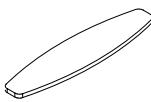


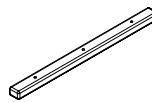
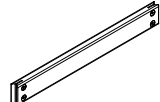
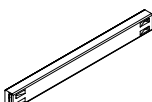
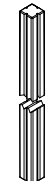
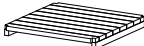
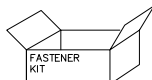
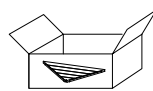
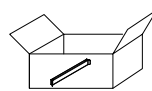
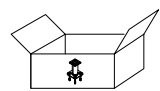
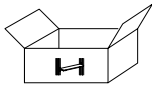
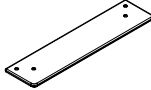
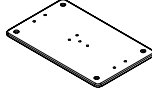

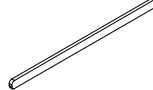
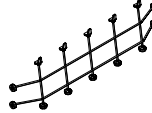
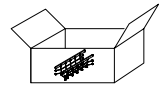

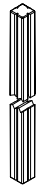
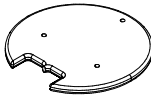
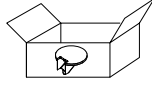
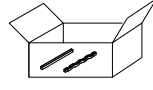
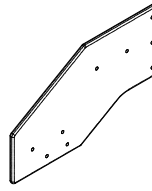
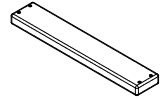
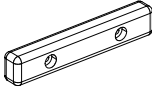
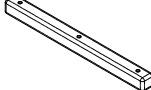
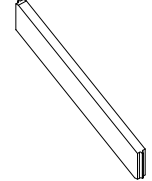



ASENNUSOHJE  
MONTERINGSANSVISNING  
INSTALLATION INSTRUCTION  
AUFBAUANLEITUNG  
NOTICE D'INSTALLATION

DATE: 24.5.2023

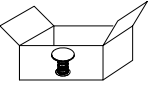
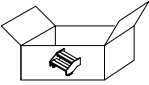
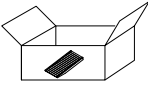

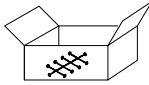
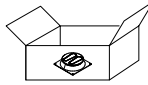
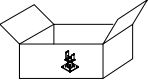
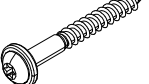

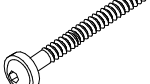

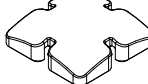
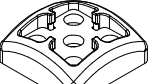
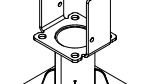

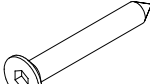

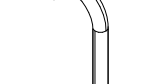







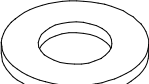
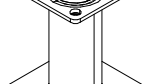
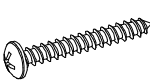
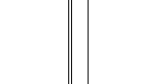

### Q16556



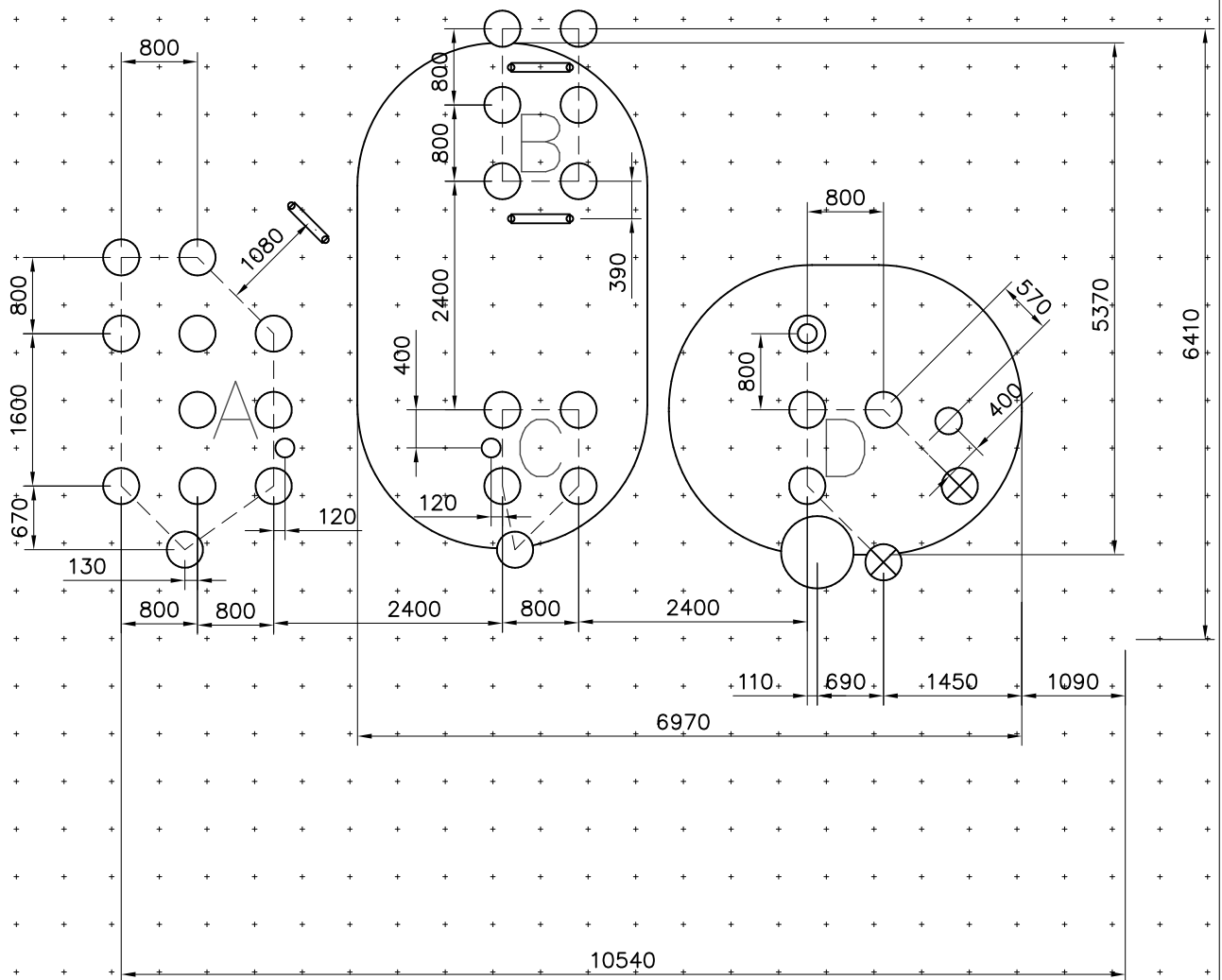
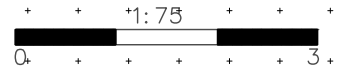
DATE: 24.5.2023

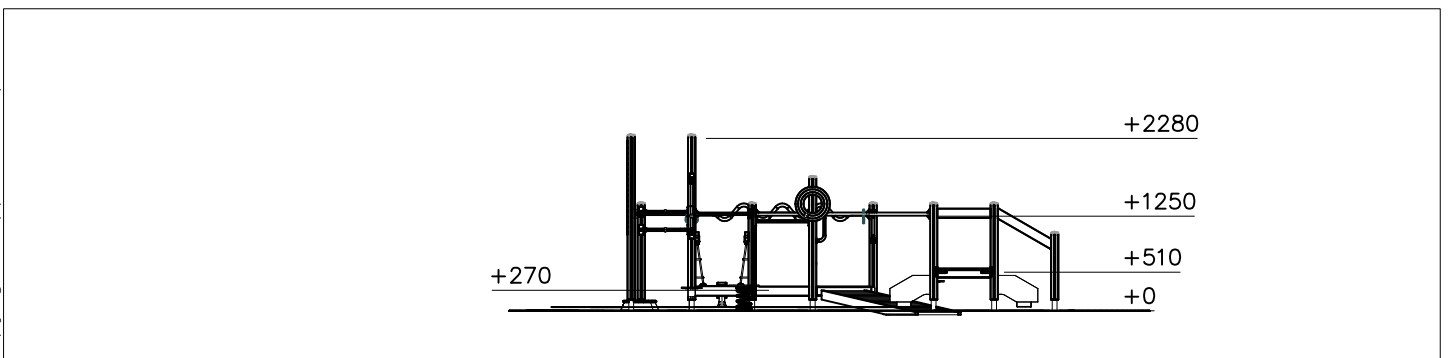
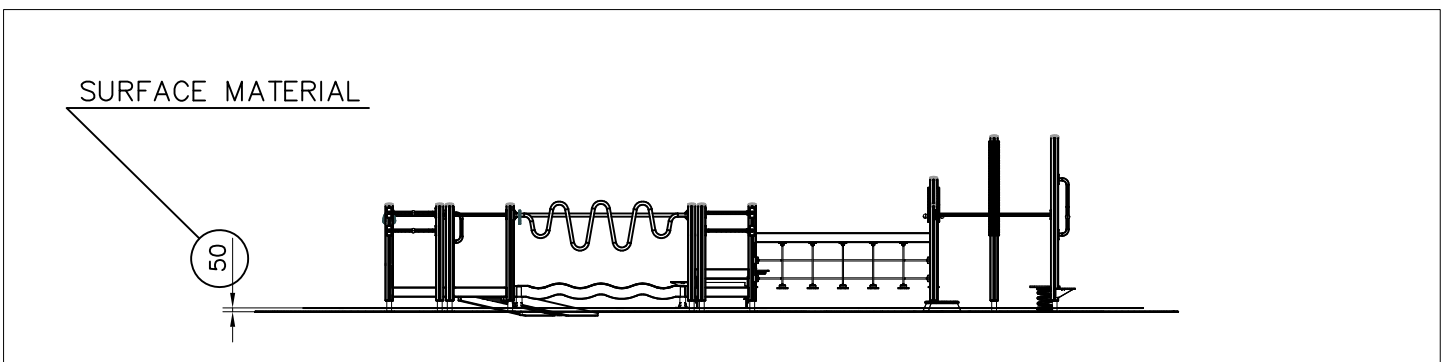
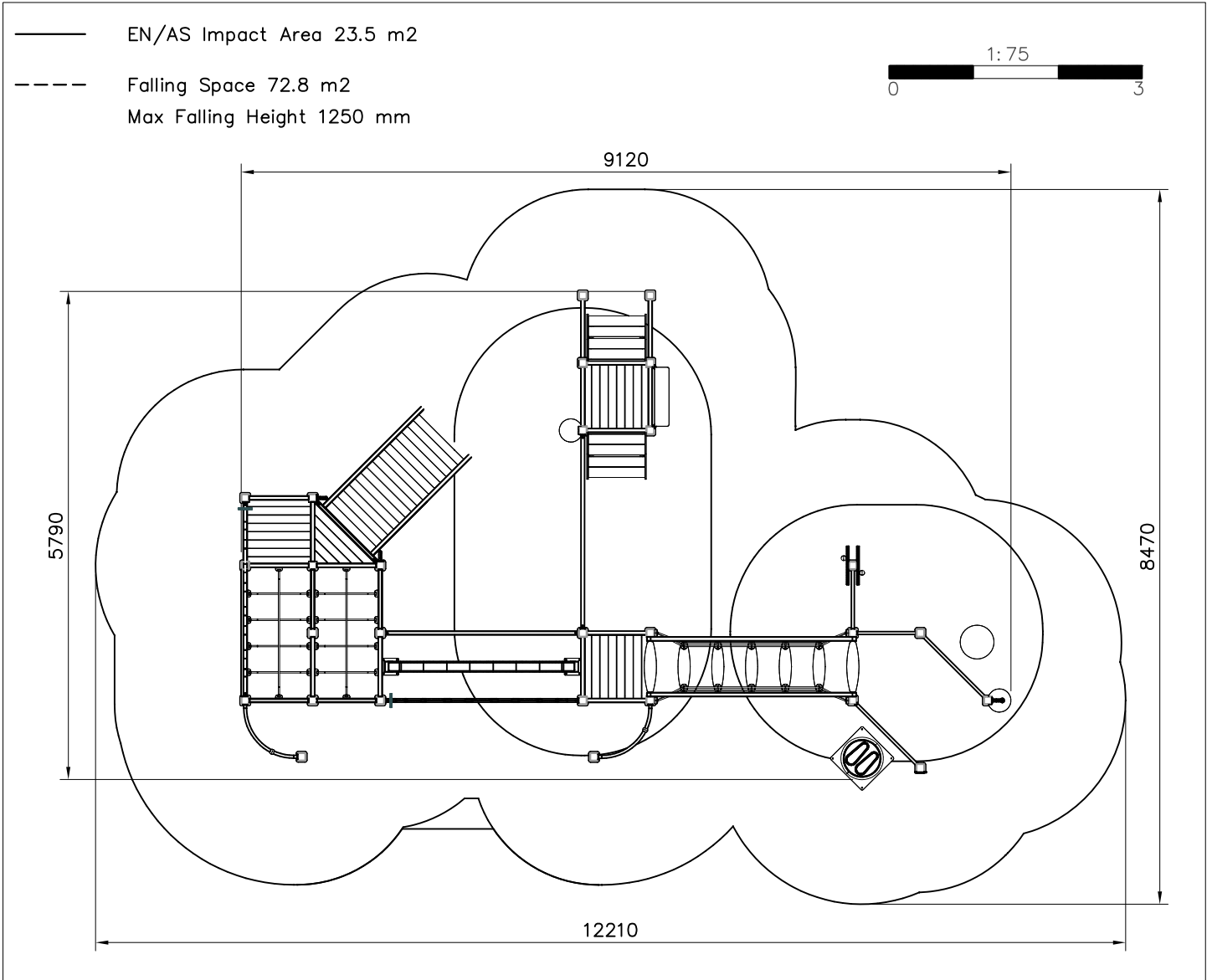
008985  32x714x714	PCS 1	008986  750x750	PCS 3	701401-602  L 1250	PCS 22	702286  65x65	PCS 1	704341  	PCS 3	705369-704 	PCS 2
705432-704  19xØ400	PCS 1	705439-217 	PCS 1	705505-217 	PCS 4	705513-703  LIME	PCS 2	705590-602  120x200x2294	PCS 1	706439-602  L 704	PCS 22
706443  32x45x702	PCS 6	706453  15x145x600	PCS 7	706484-602  93x93x2150	PCS 2	706499-602  93x93x860	PCS 2	706508  32x45x650	PCS 3	706510-602  45x120x1030	PCS 1
706514-602  70x120x1504	PCS 1	706527-602  93x93x1600	PCS 1	706535   FASTENER KIT	PCS 3	706537 	PCS 1	706538 	PCS 1	706551 	PCS 28
706753  H	PCS 1	706783  15x170x700	PCS 1	706923  	PCS 1	707255-602  45x120x2480	PCS 2	707260-303  2375x600	PCS 2	707268  	PCS 1
707331-602  93x93x470	PCS 1	707696-704  15x265x275	PCS 2	707729 	PCS 2	707785 	PCS 1	707855-704  15x600x350	PCS 4	707856  45x120x672	PCS 8
707857  32x45x245	PCS 8	707858  45x45x540	PCS 2	707859-602  45x120x892	PCS 2	707860-602  45x120x1785	PCS 2	707861  750x590	PCS 3	707862  32x45x1700	PCS 2

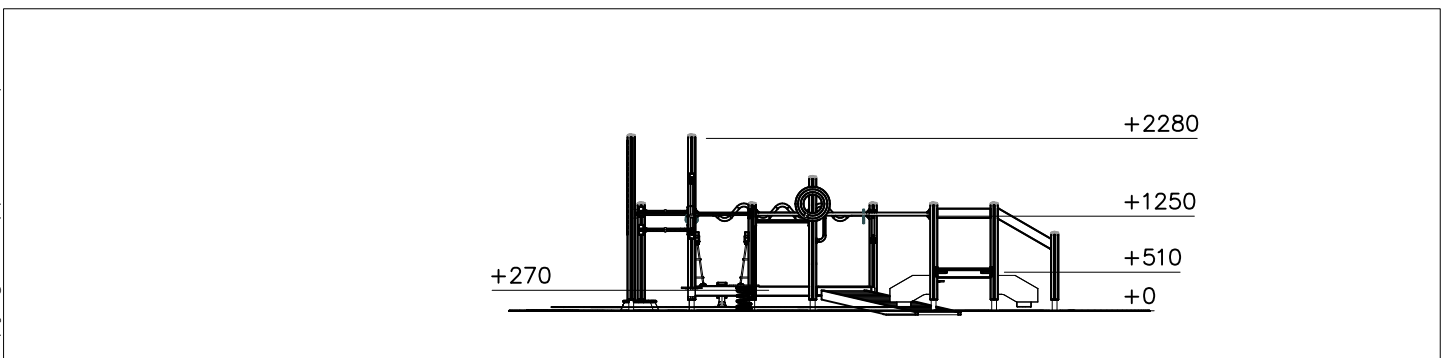
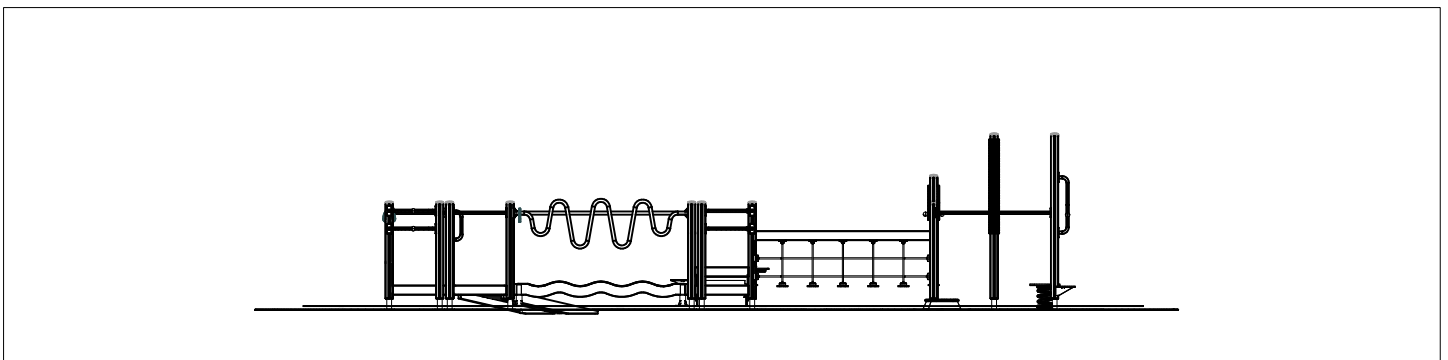
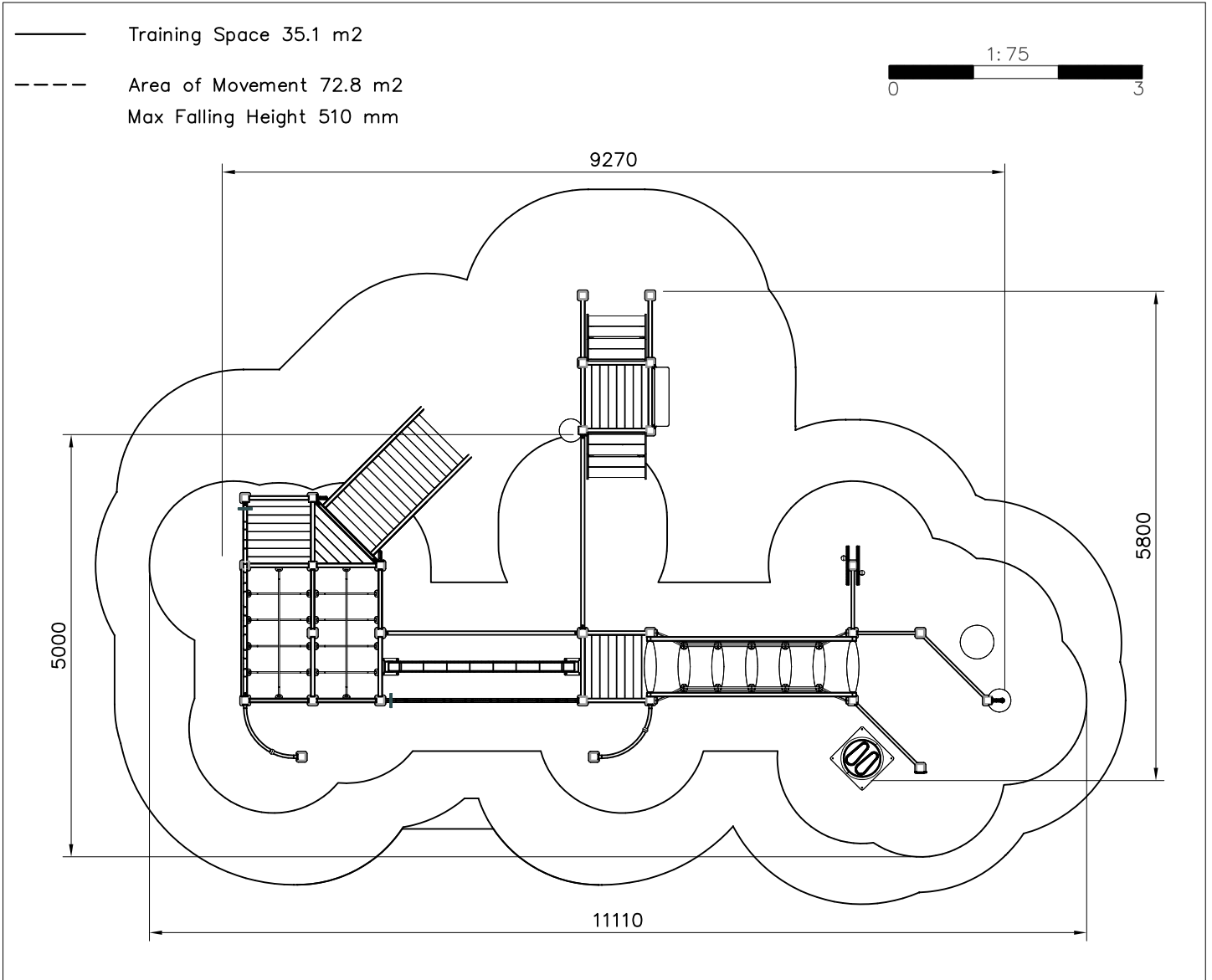
DATE: 24.5.2023

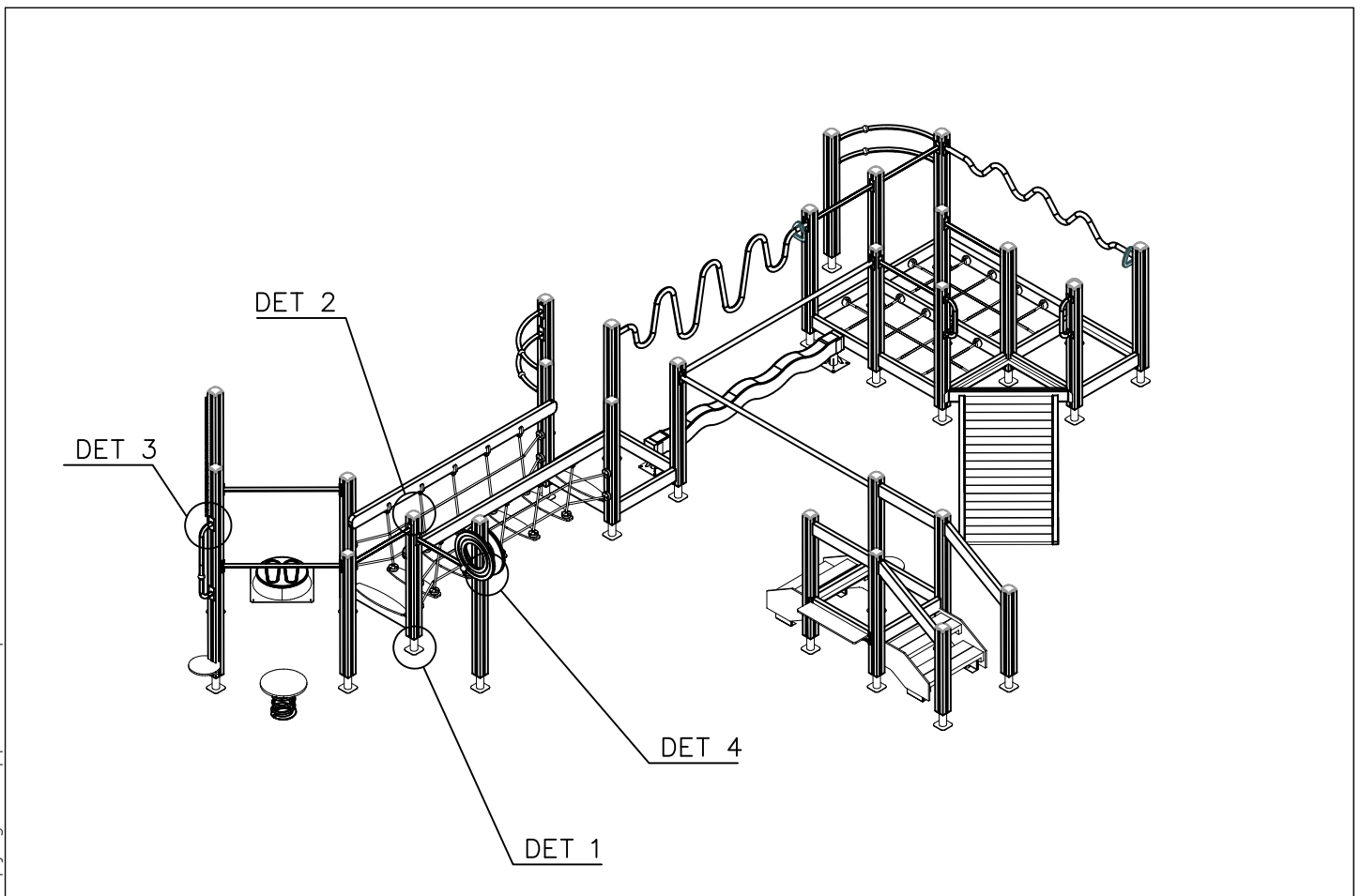
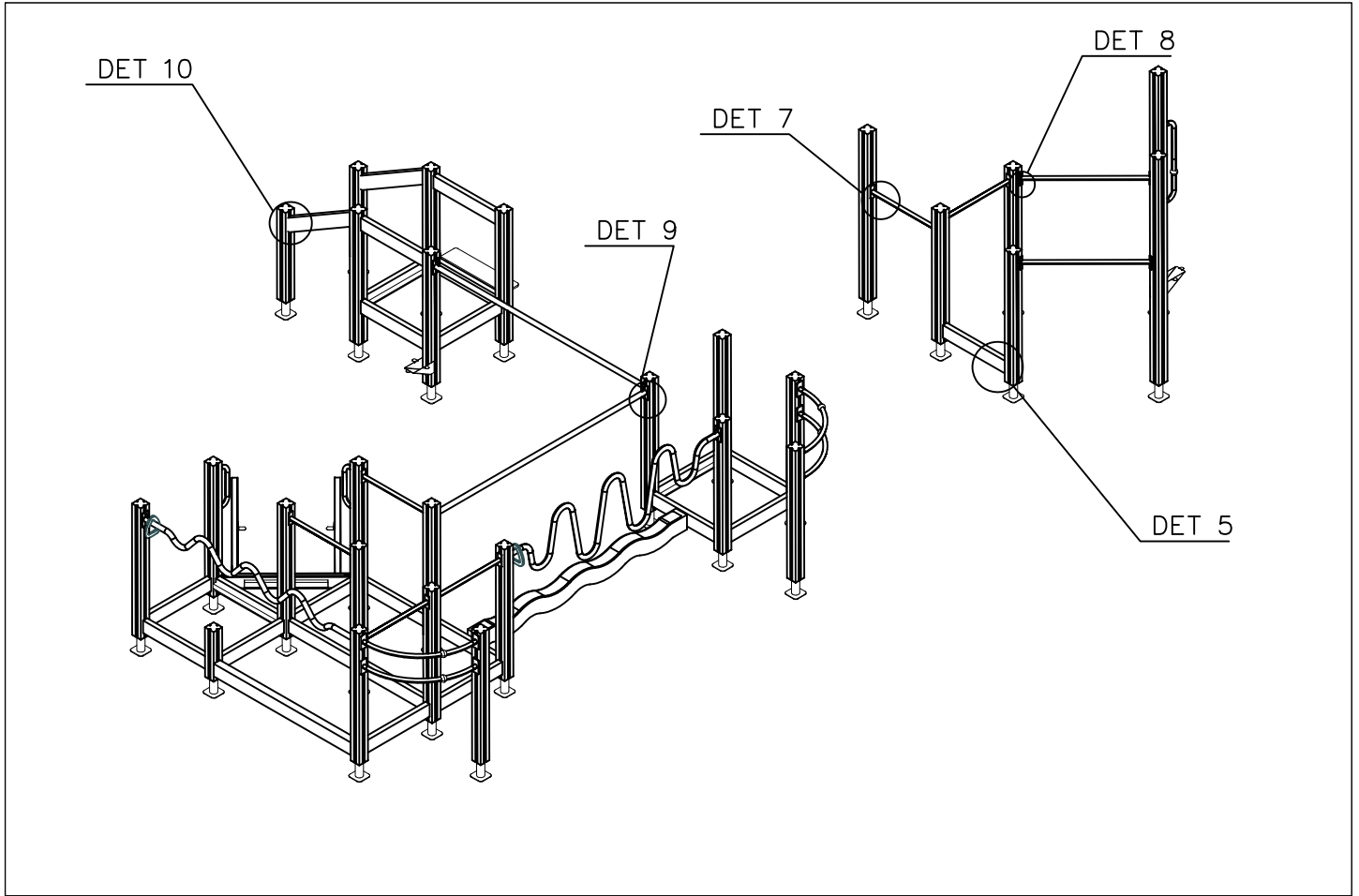
707886	PCS 1	707887	PCS 2	707888	PCS 1	707893-303	PCS 2	707894	PCS 2	707896	PCS 1
											
						755x1555					
707899	PCS 2	900240	PCS 24	902086	PCS 2	903093	PCS 96	905103	PCS 4	905138	PCS 28
											
FASTENER KIT		Ø8x70		148x172x254		Ø8x90		PT-28/32-H		GRAY	
905196	PCS 28	905780	PCS 2	906316	PCS 1	906630	PCS 4	906632-217	PCS 1	906635-217	PCS 2
											
GRAY		120x120x150		20x200x300		Ø8x60					
907694-217	PCS 6	907783-217	PCS 2	907920-217	PCS 2	908253-217	PCS 2	908255-217	PCS 1	908257-217	PCS 1
											
L 704				DIAG.		2304x130x60		2304x222x60		2304x660x60	
908476-205	PCS 1	909256	PCS 88	909531	PCS 28	980114	PCS 4	980123	PCS 96	980131	PCS 119
											
SURFACE		Ø16/8.4		130x130x150		Ø4x20		Ø7x60		Ø6x60	
	PCS		PCS		PCS		PCS		PCS		PCS
	PCS		PCS		PCS		PCS		PCS		PCS

EN/AS Impact Area 23.5 m<sup>2</sup>  
 Grid Size 500 mm



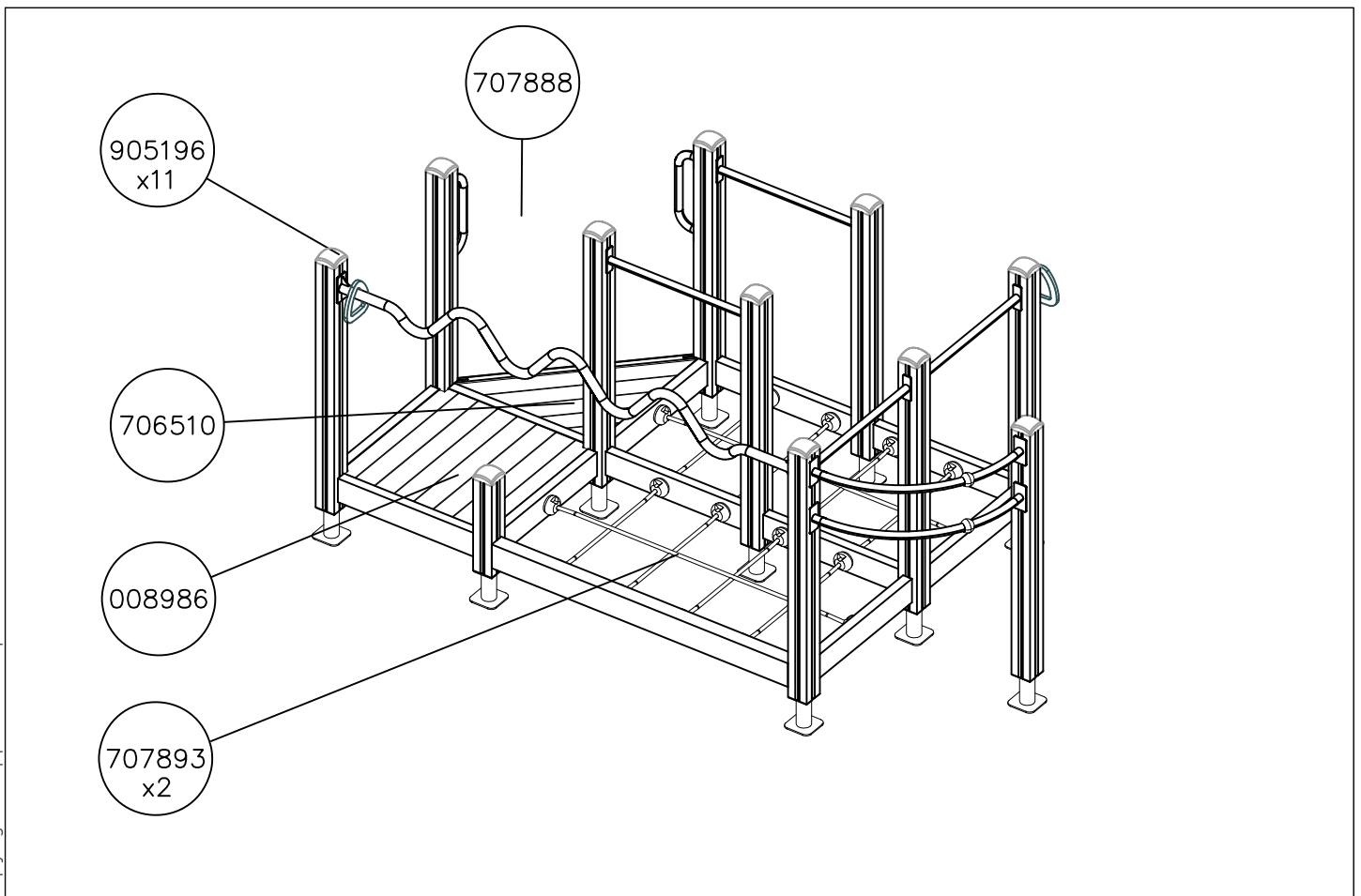
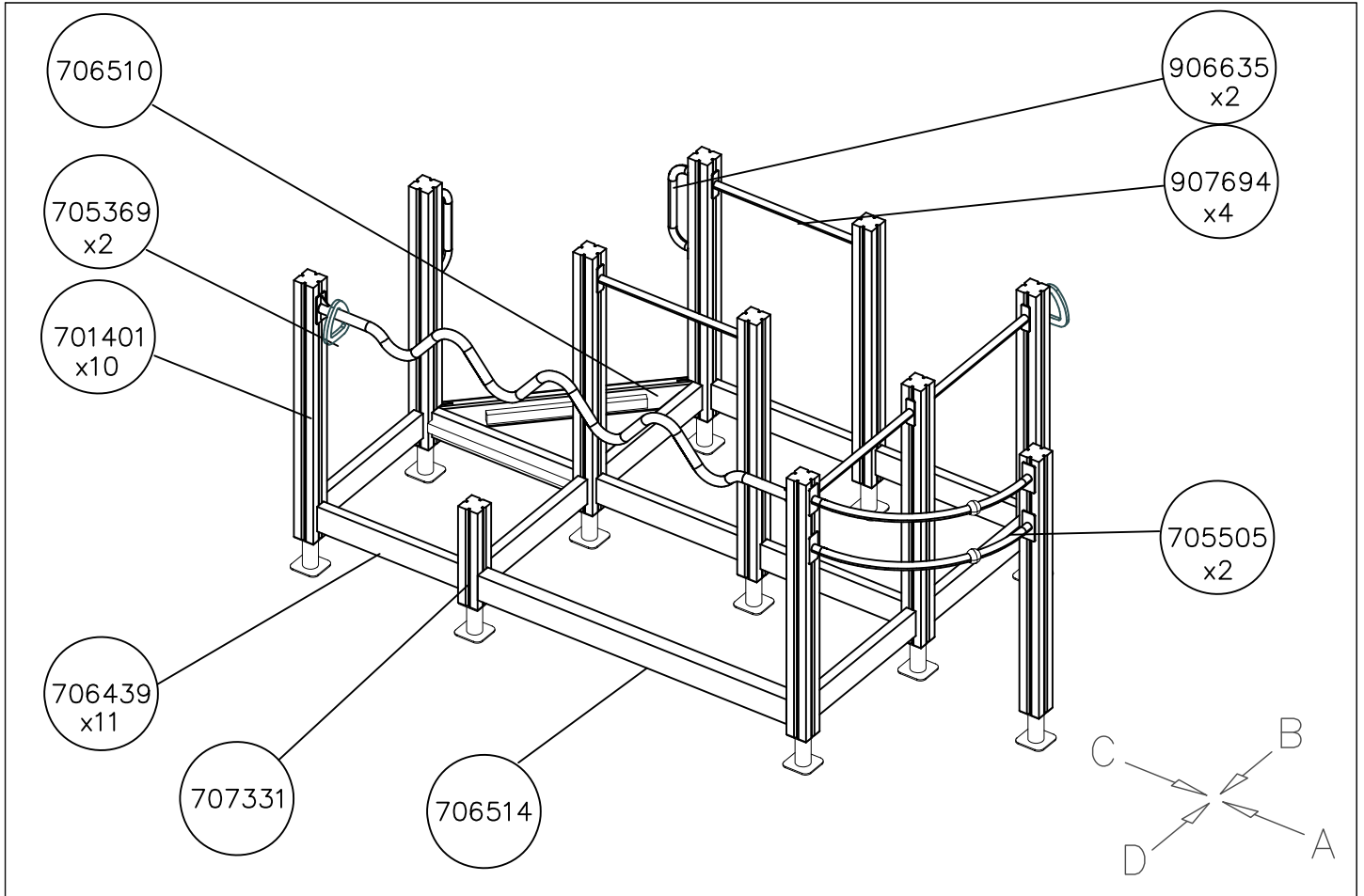






<p>DET 1</p>	<p>DET 2</p>	<p>DET 3</p>	<p>DET 4</p>
<p>DET 5</p>	<p>DET 6</p>	<p>DET 7</p>	<p>DET 8</p>
<p>DET 9</p>	<p>DET 10</p>		

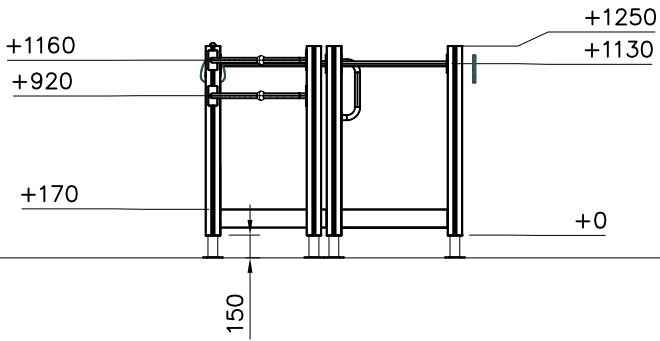




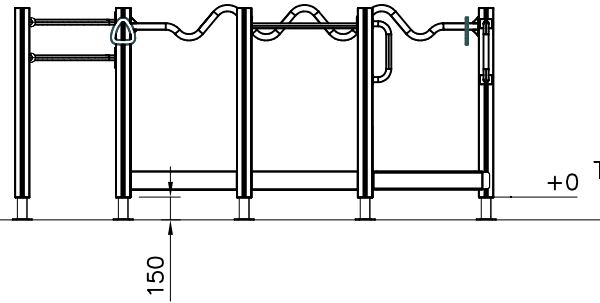
DATE: 24.5.2023

1:50

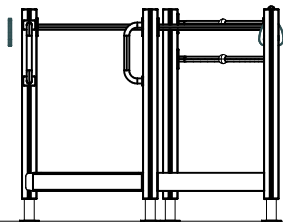
A



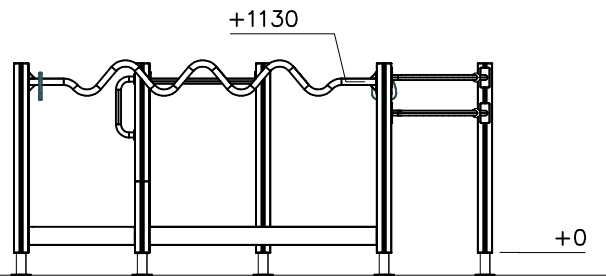
B

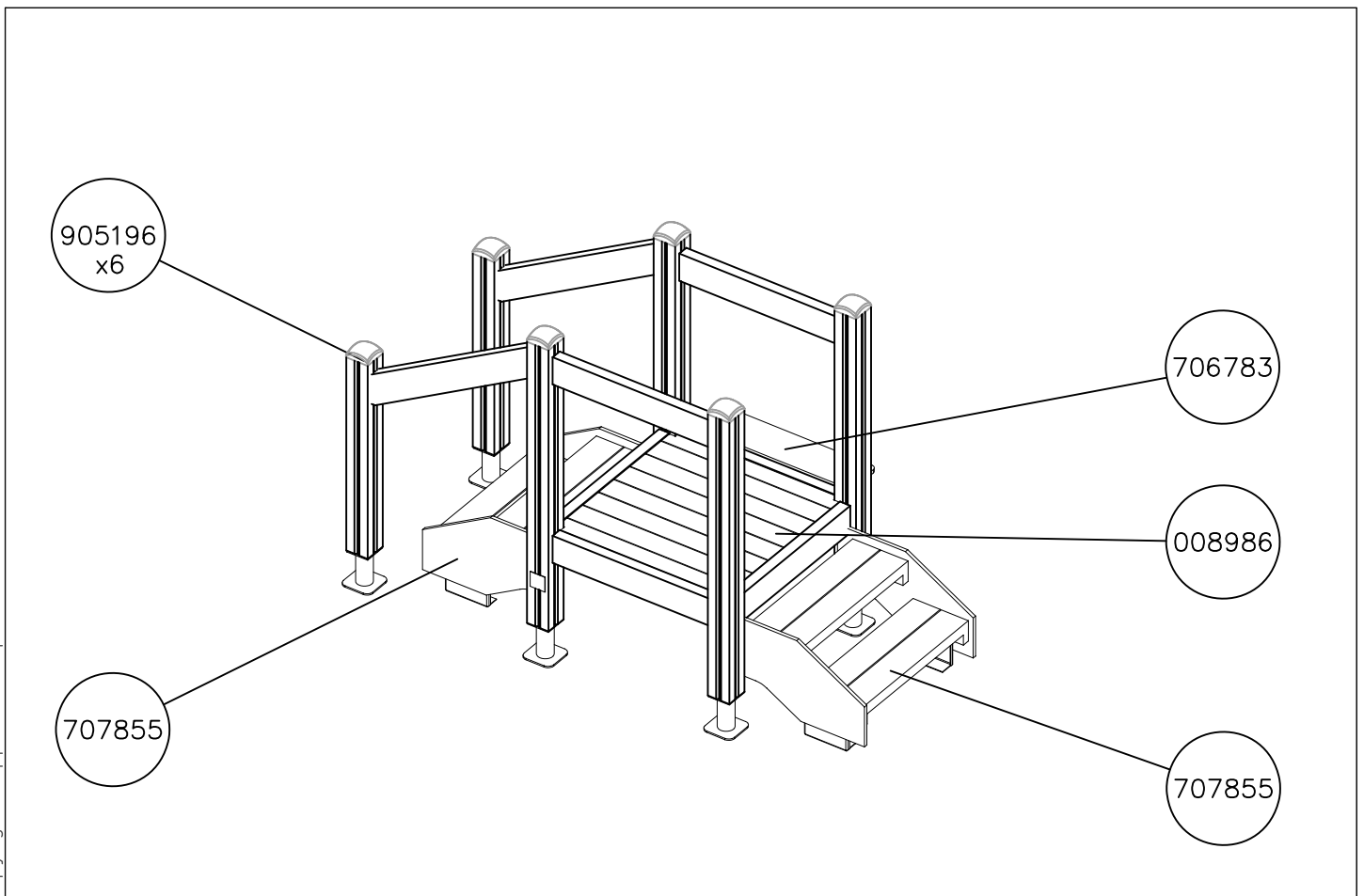
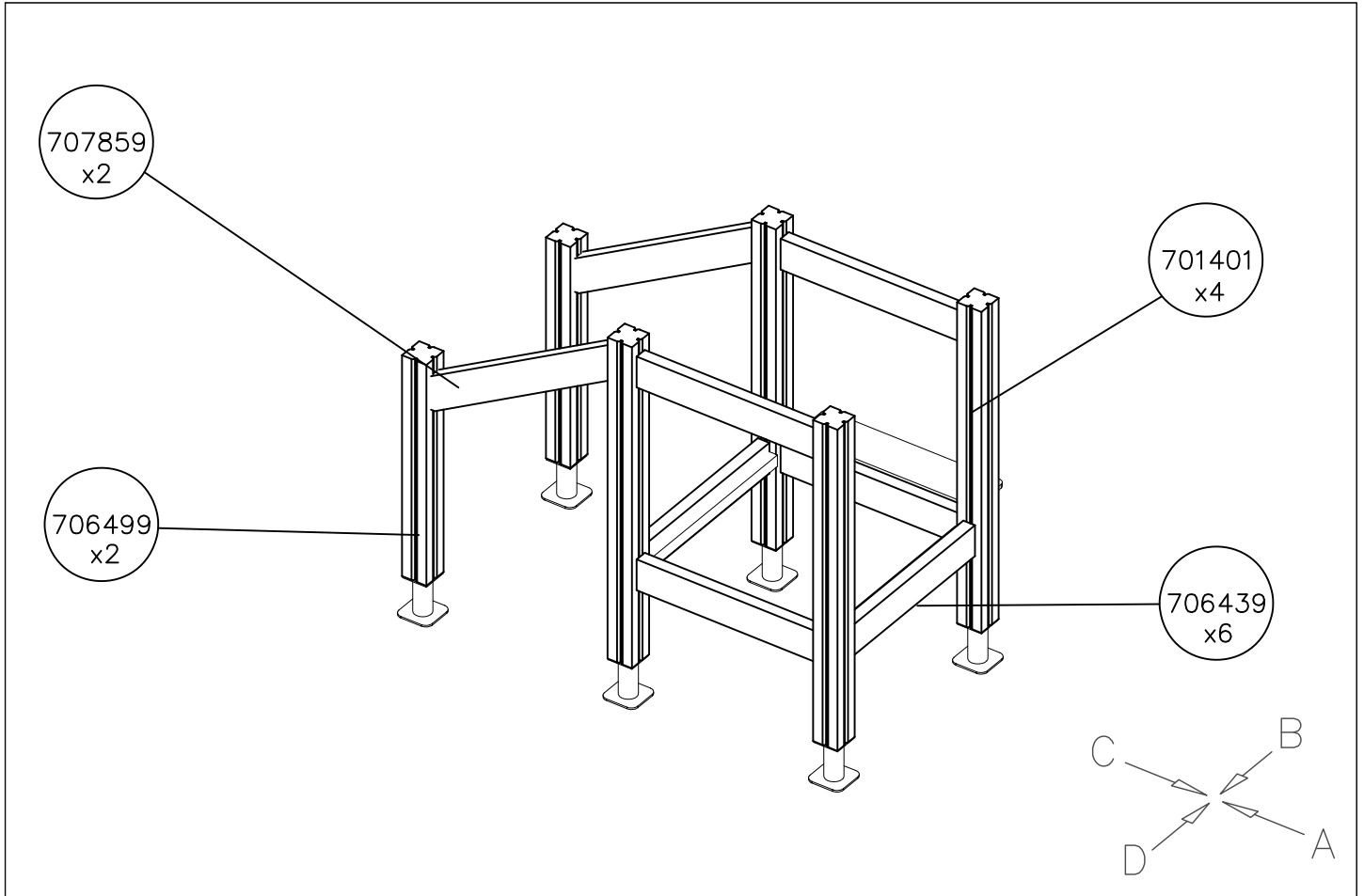


C



D

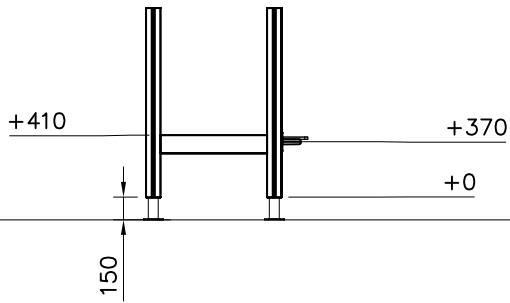




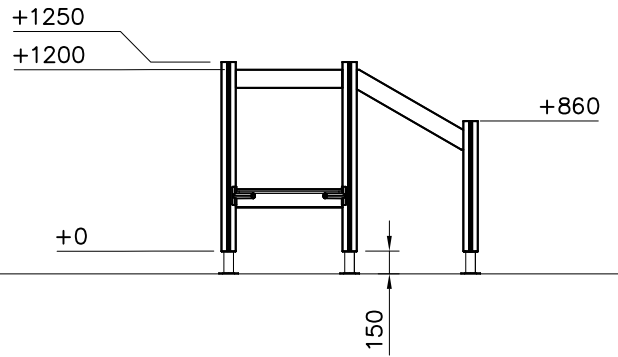
DATE: 24.5.2023

1:50

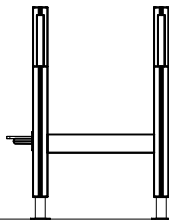
A



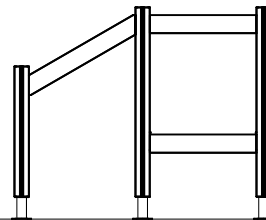
B

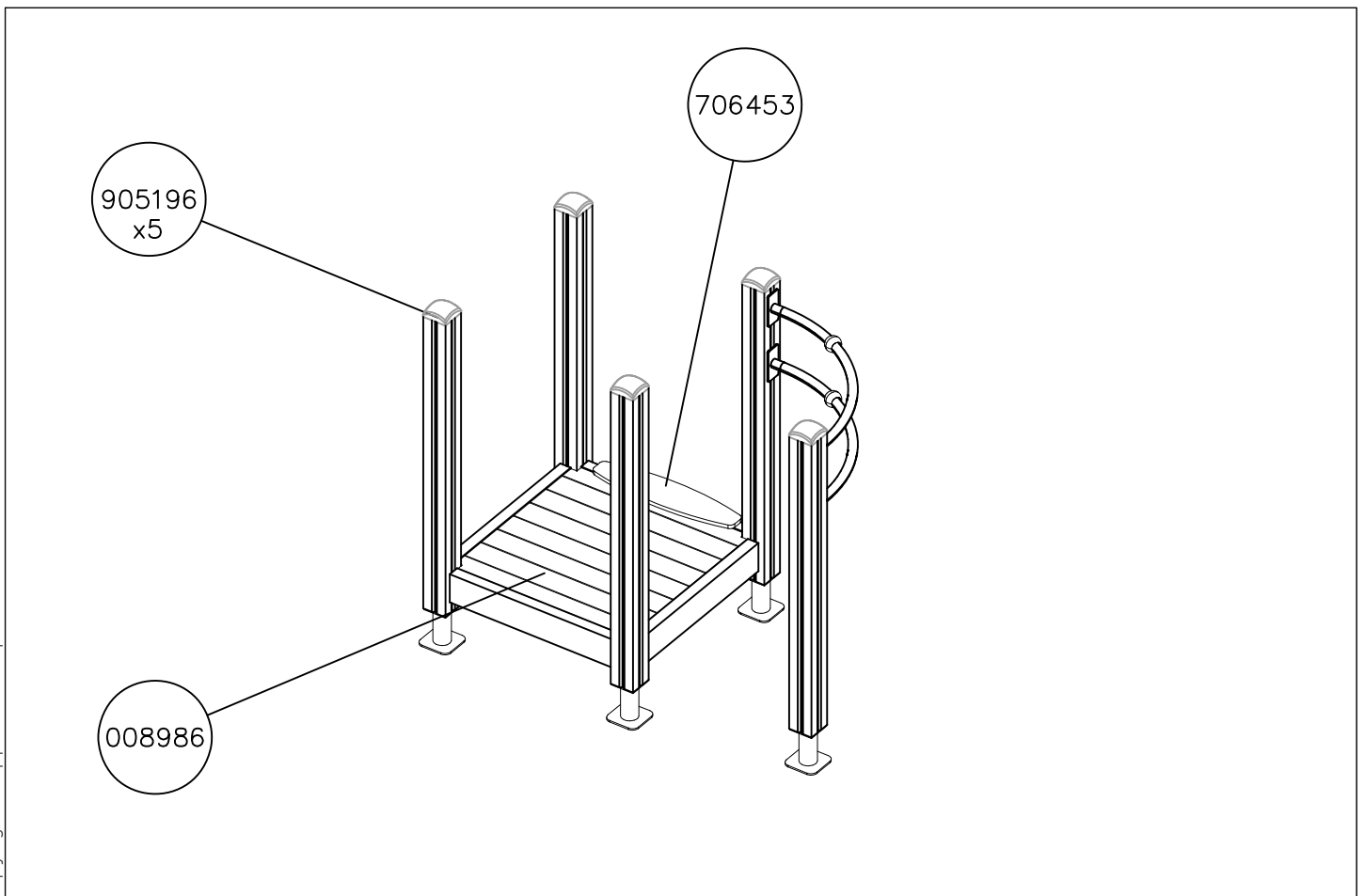
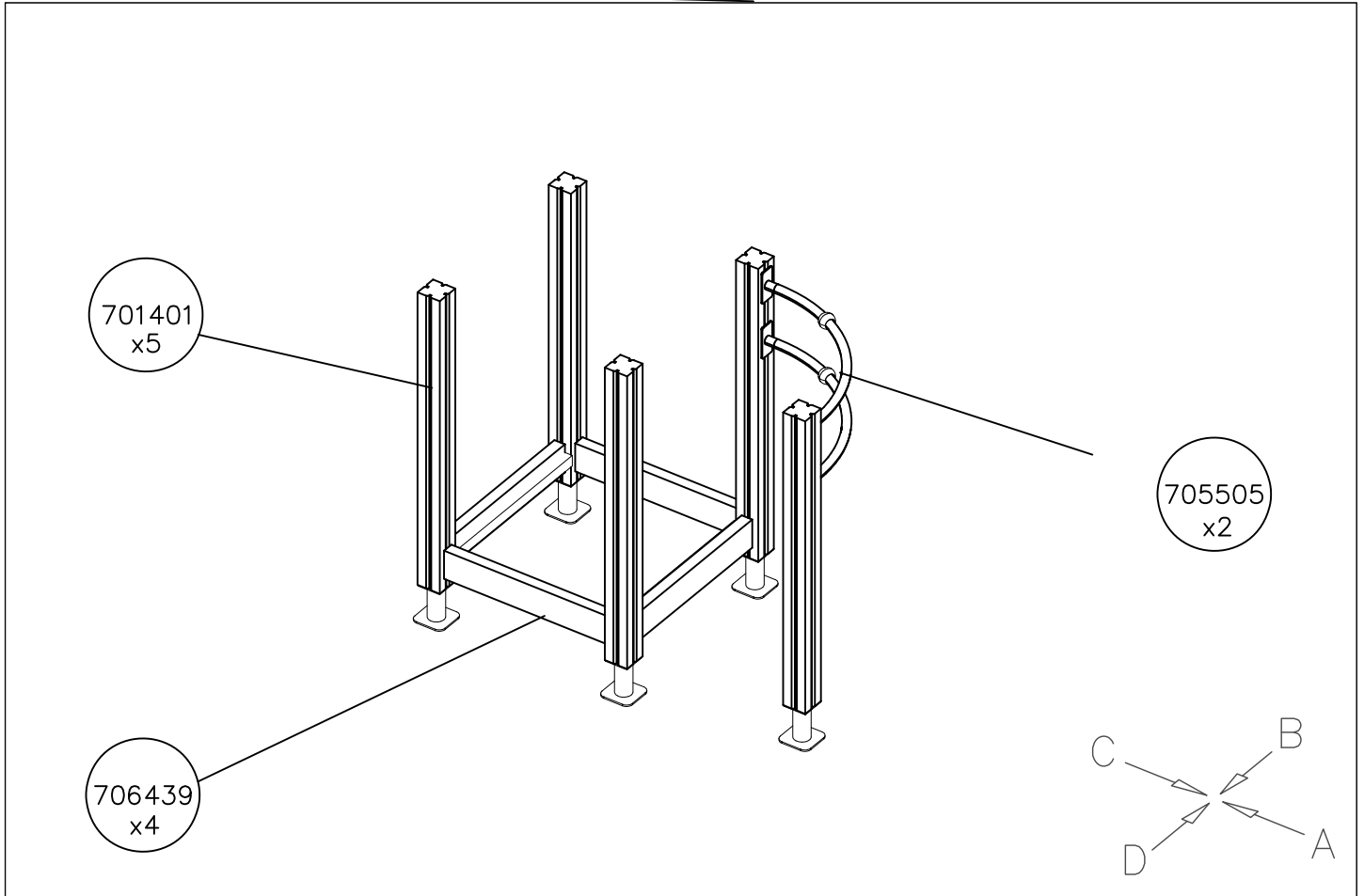


C



D

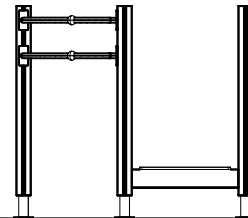
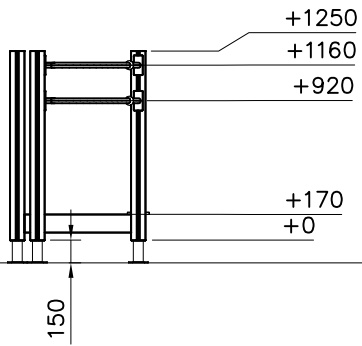




1:50

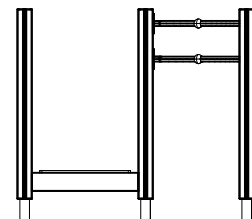
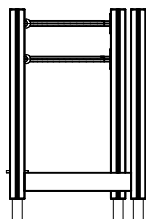
A

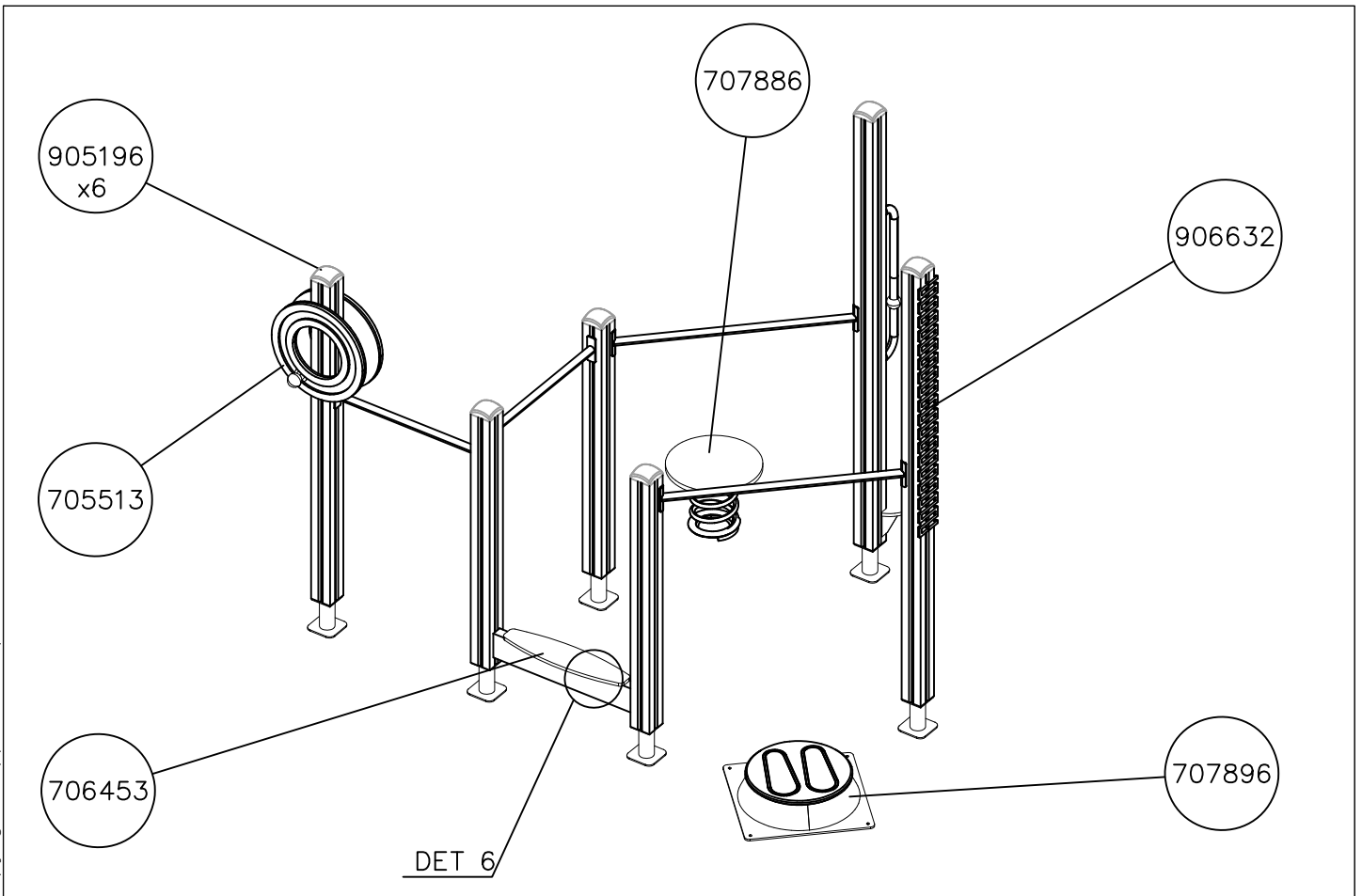
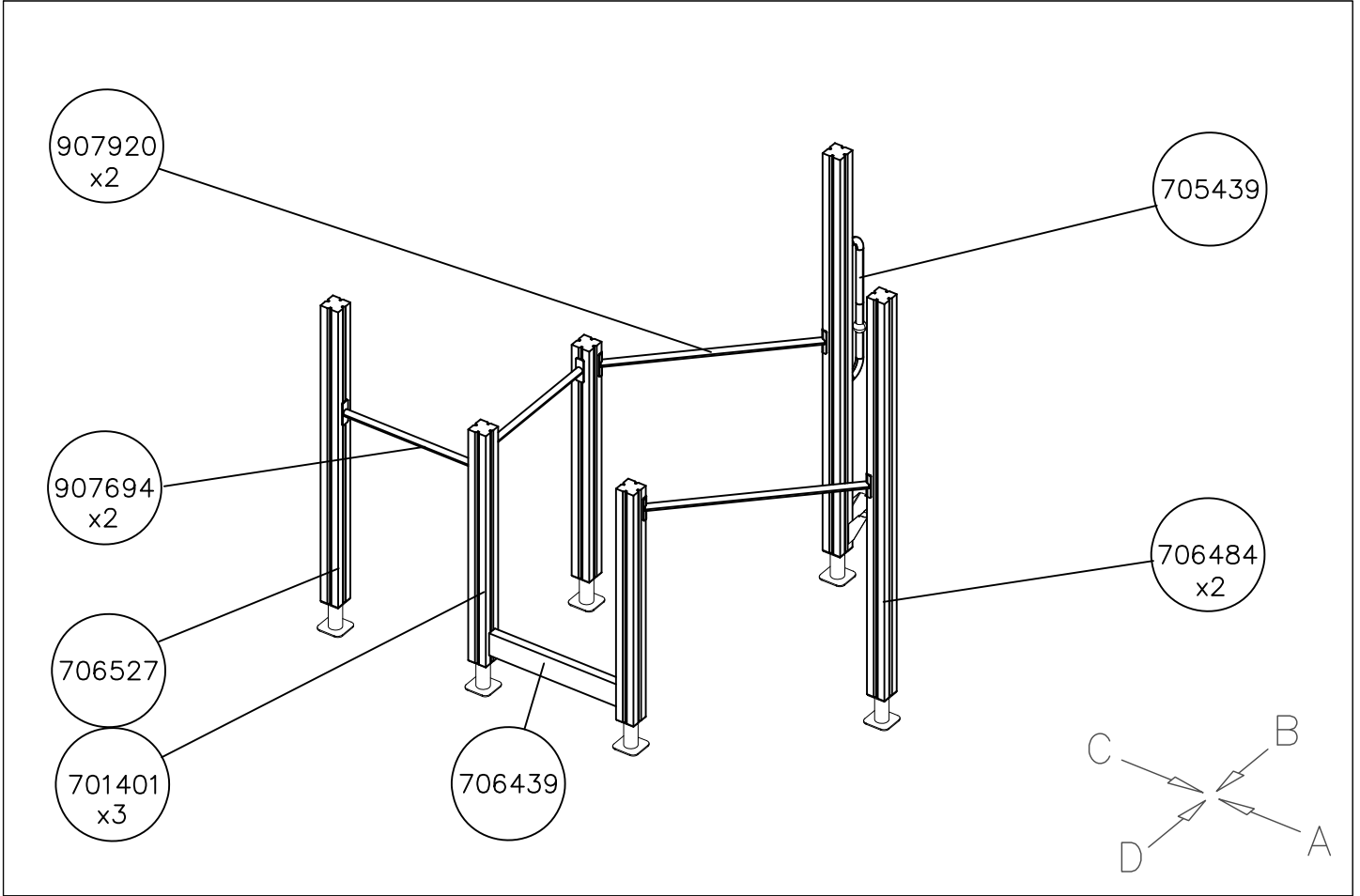
B



C

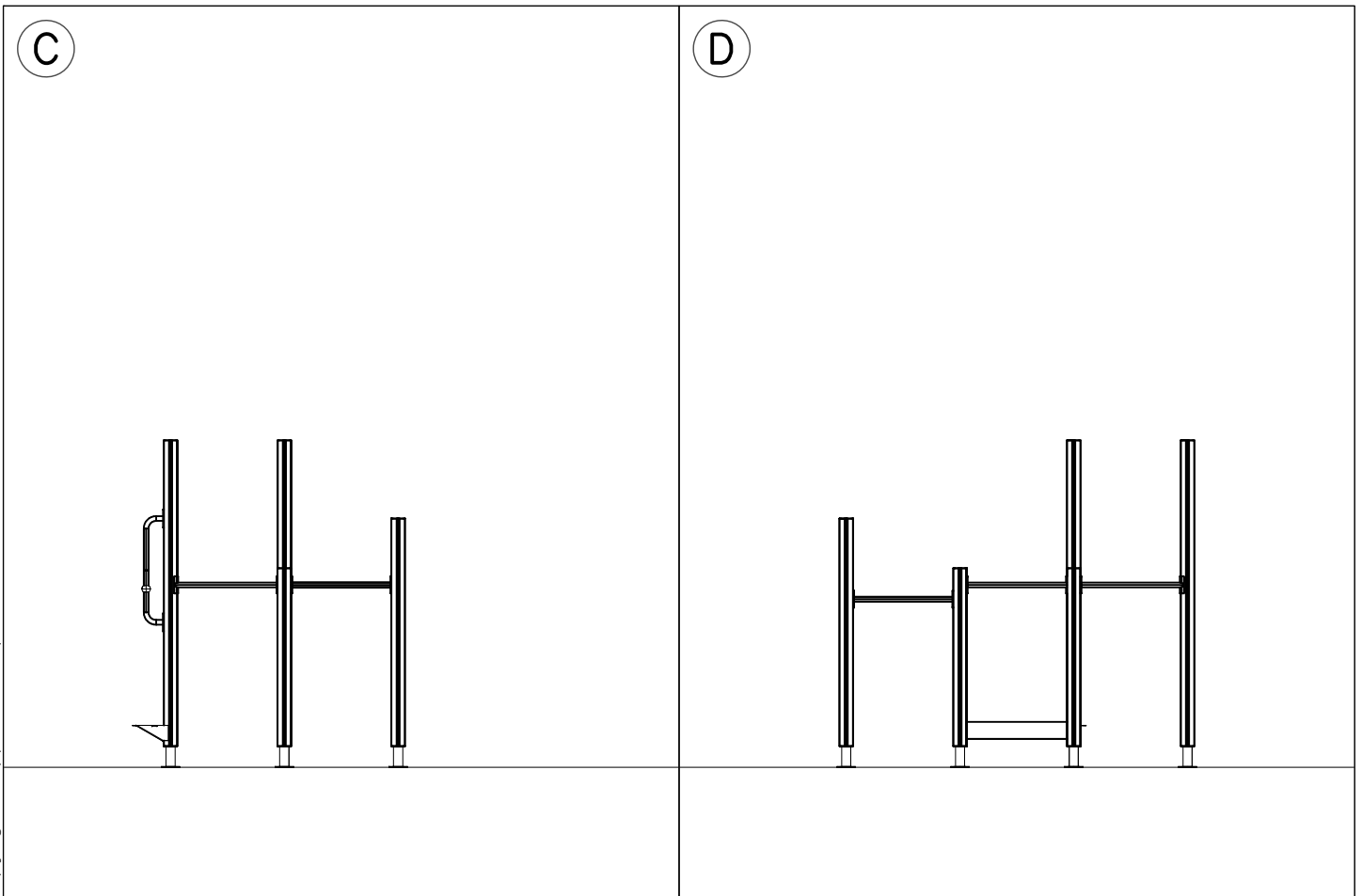
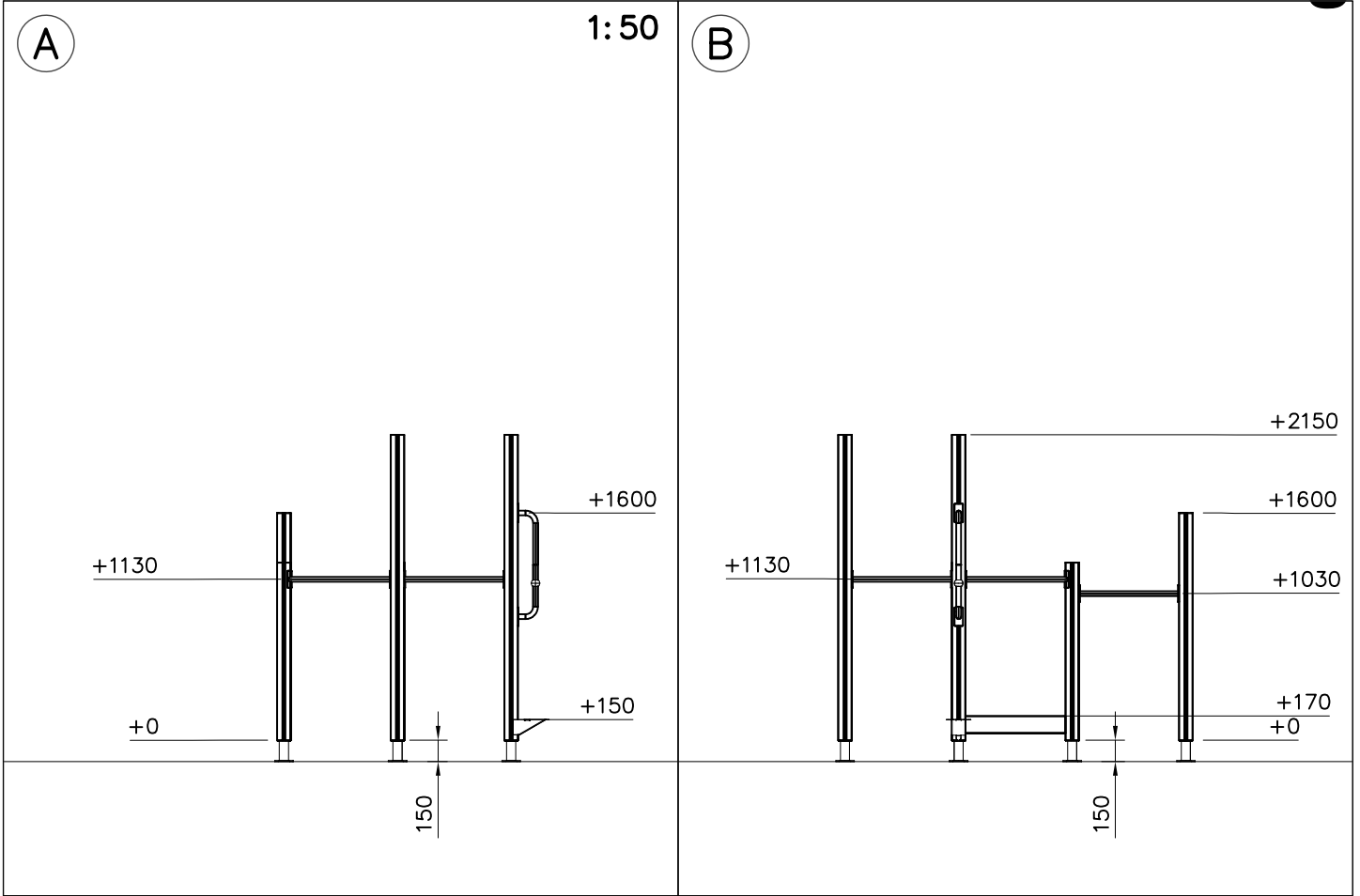
D



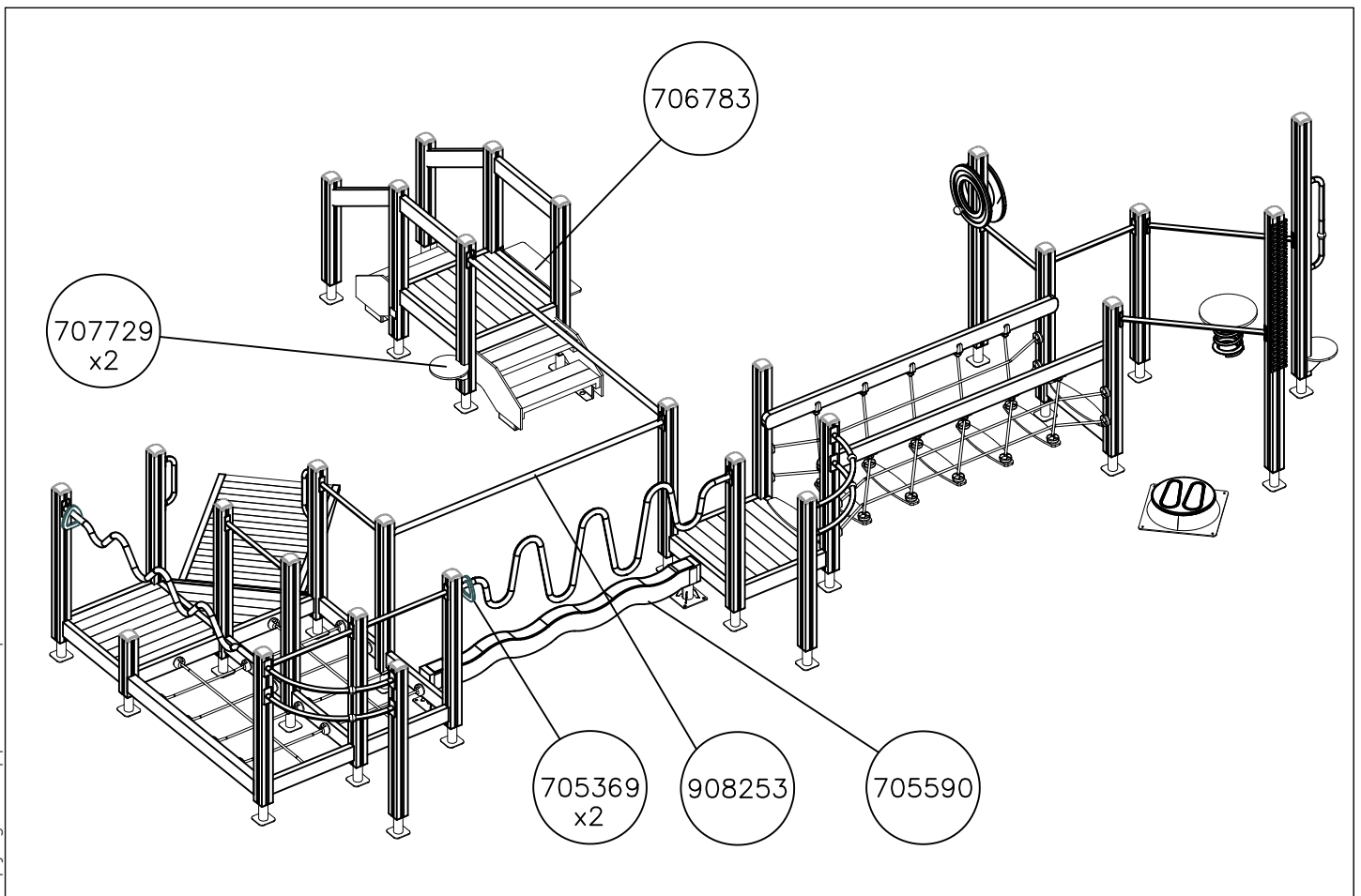
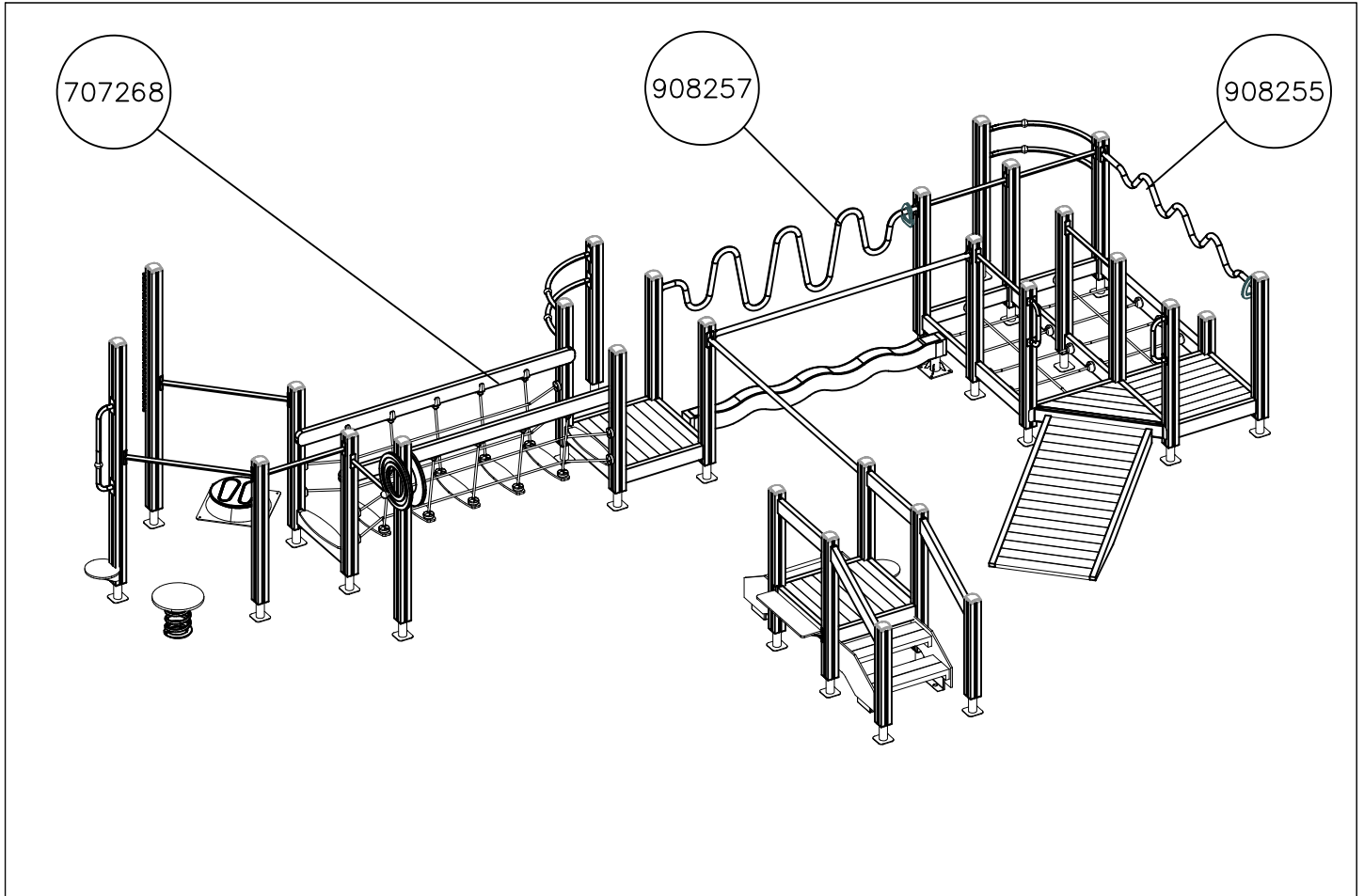


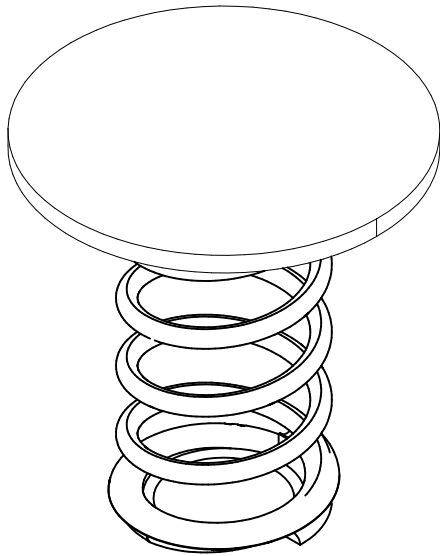
DATE: 24.5.2023


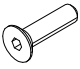
1:50

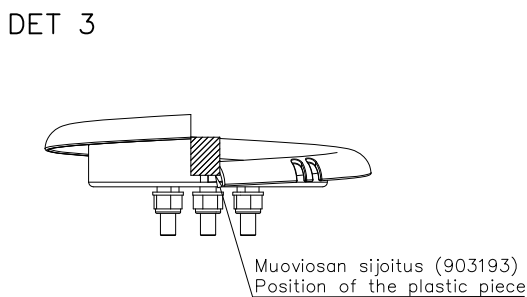
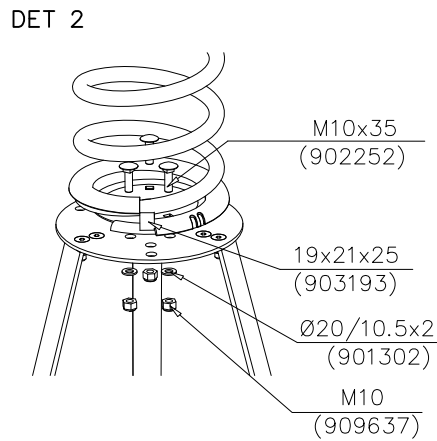
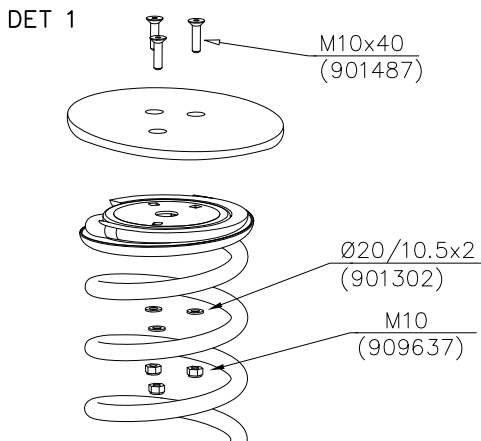








<p>① 903191</p> 	PCS	<p>② 901487</p>  <p>M10x40</p>	PCS
	2		3
	PCS		PCS
	PCS		PCS
	PCS		PCS
	PCS		PCS
	PCS		PCS
	PCS		PCS
	PCS		PCS
	PCS		PCS



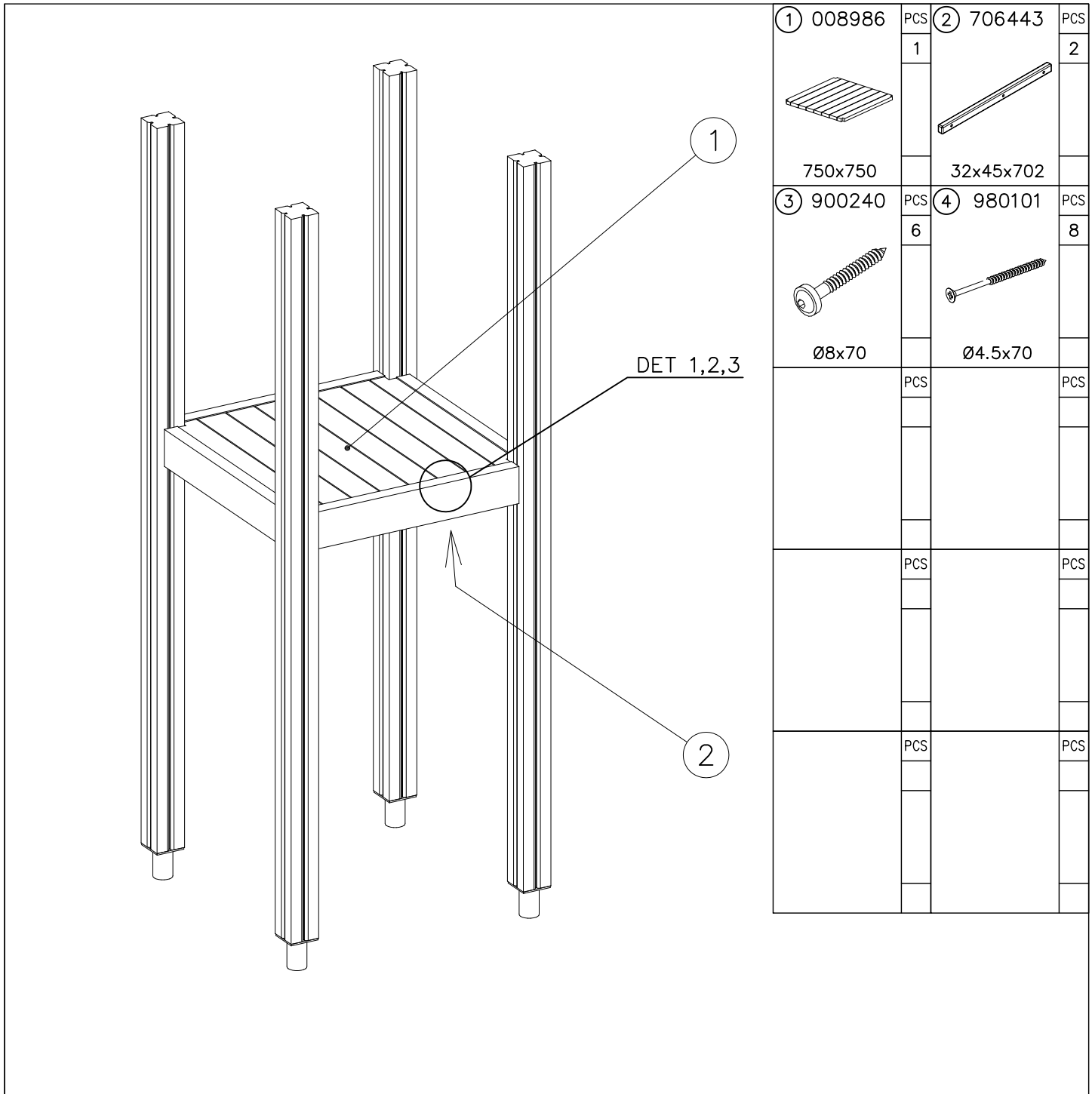
		
<p><b><math>h &lt; 600</math></b></p> <p>Without movement and therefore without Impact Area</p>	<p>Totally hard surfaces.</p> <p>Note. Lappset does <u>not recommend</u> totally hard surfaces at all.</p>	<p>E.g. concrete or asphalt</p> 
<p><b><math>h &lt; 600</math></b></p> <p>With movement e.g. rocking</p>	<p>Materials with very limited impact attenuating properties.</p>	<p>E.g. wood</p> 
<p><b><math>h &lt; 1000</math></b></p>	<p>Materials with significant impact attenuating properties.</p>	<p>fine gravel 0–8 mm</p>  <p>grass</p>  <p>unsorted sand</p> 
<p><b><math>h &lt; 3000</math></b></p>	<p>Loose fill material</p> <p>E.g. sand/gravel 0,25...8 mm D60/D10&lt;3,0 Woodchips 5...30 mm bark 20...80 mm</p>	 <p><math>\underline{S}</math>                      <math>\underline{h}</math></p> <p>30 cm                      &lt; 2,0 m</p> <p>40 cm                      &lt; 3,0 m</p>
	<p>Syntethic granulates</p> <p><math>\underline{S}</math>                      <math>\underline{h}</math></p> <p>40 mm ~&gt; 1,2...1,3 m</p> <p>50 mm ~&gt; 1,5...1,7 m</p> <p>60 mm ~&gt; 1,8...2,0 m</p> <p>70 mm ~&gt; 2,1...2,5 m</p> <p>Note. For accurate values, see manufacturer's instructions.</p>	

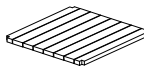
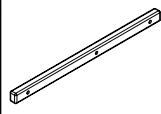
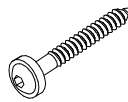

REMOVE SAFETY SURFACE/SAND/GRAVEL  
TO CHECK FOUNDATION



REMOVE SAFETY SURFACE/SAND/GRAVEL  
TO CHECK FOUNDATION





① 008986	PCS	② 706443	PCS
	1		2
750x750		32x45x702	
③ 900240	PCS	④ 980101	PCS
	6		8
Ø8x70		Ø4.5x70	
	PCS		PCS
	PCS		PCS
	PCS		PCS

DET 1

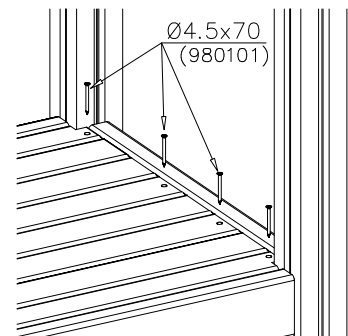


DET 2

Naulanauha kannatinlistan puolelle.  
Nail list to the bottom.



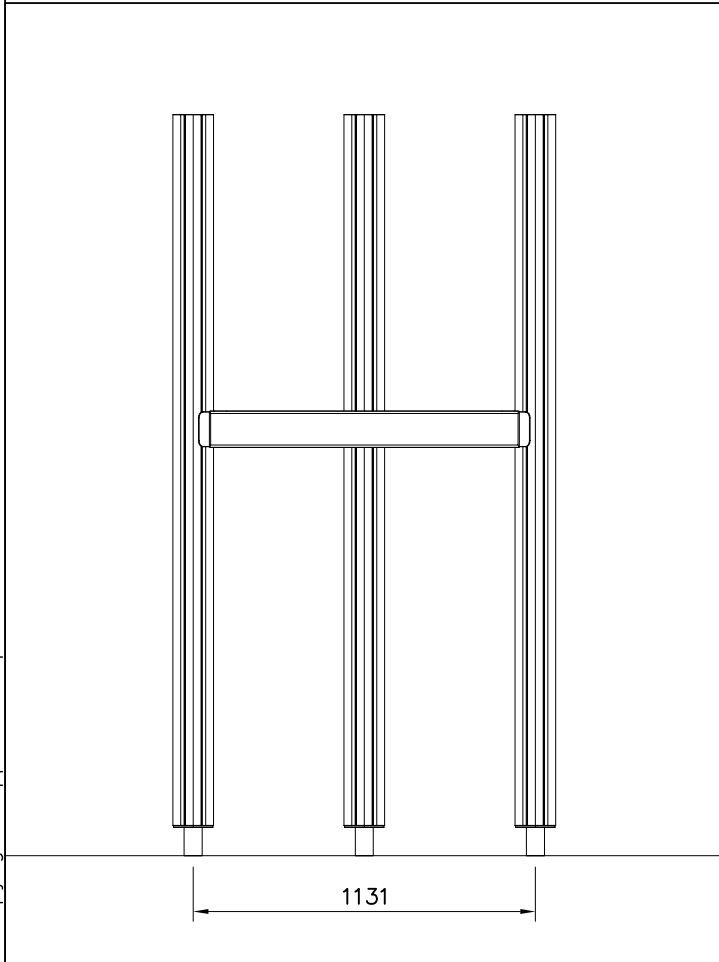
DET 3







① 706510	PCS	② 907724	PCS
	1		2
45x120x1030			
③ 905083	PCS	④ 909866	PCS
	4		4
Ø32		M8x60	
⑤ 980151	PCS	⑥ 980150	PCS
	4		4
Ø16/8.4		M8	
⑦ 905112	PCS	⑧ 900240	PCS
	4		4
Ø22		Ø8x70	



BOOM OPTIONS		
706510	706510-602	DARK BROWN
	706510-603	LIGHT BROWN
	706510-604	LIGHT GRAY
45x120x1030		

DET 1



DET 2 M8x60  
(909866)



DET 3



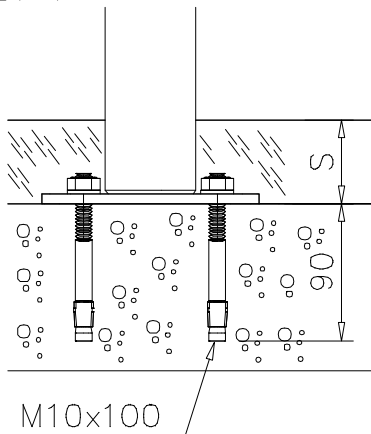




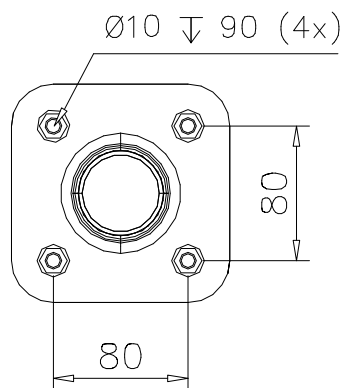
DET 1, 2, 3

① 909531	PCS	① 909513	PCS
	1		1
		60°	
① 909514	PCS	① 902056	PCS
	1		1
		75°	57°
① 902062	PCS		PCS
	1		
		70°	
	PCS		PCS
	PCS		PCS
② 909628	PCS		PCS
	4		
M10x100			

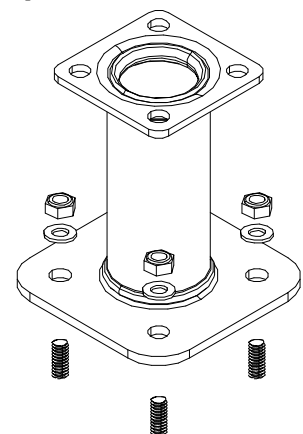
DET 1



DET 2



DET 3



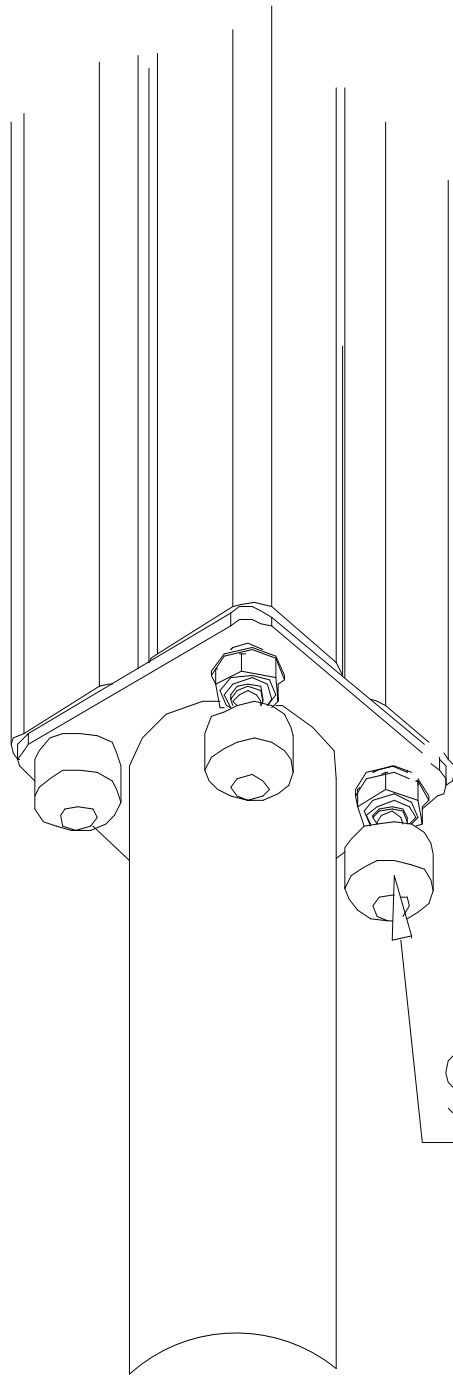
**LAPPSET®**  
**BETON FOUNDATION**

**FOOT**

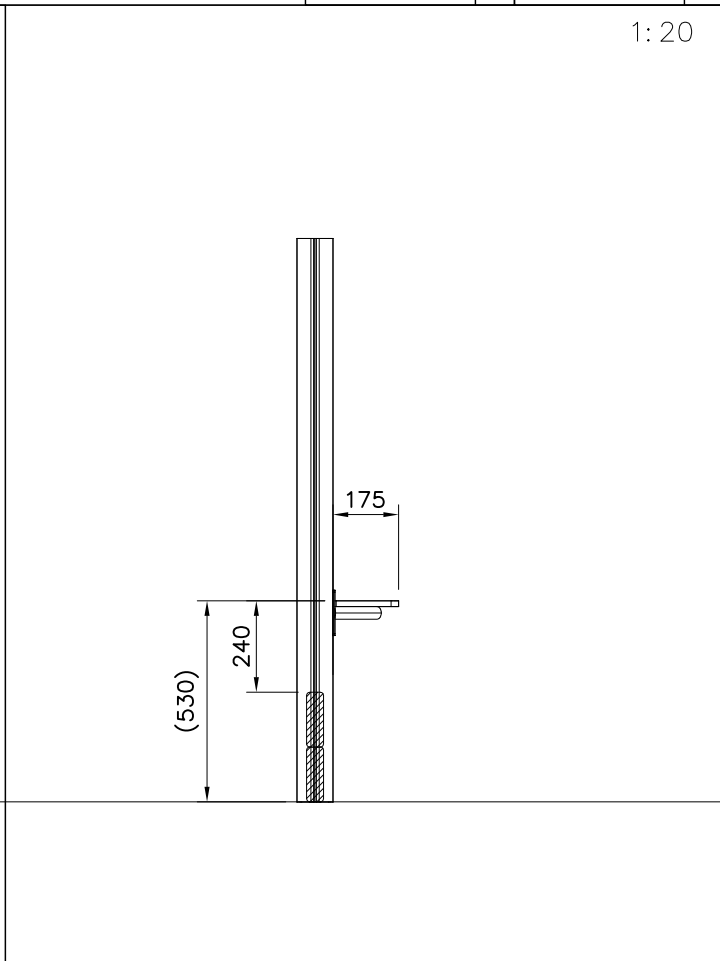
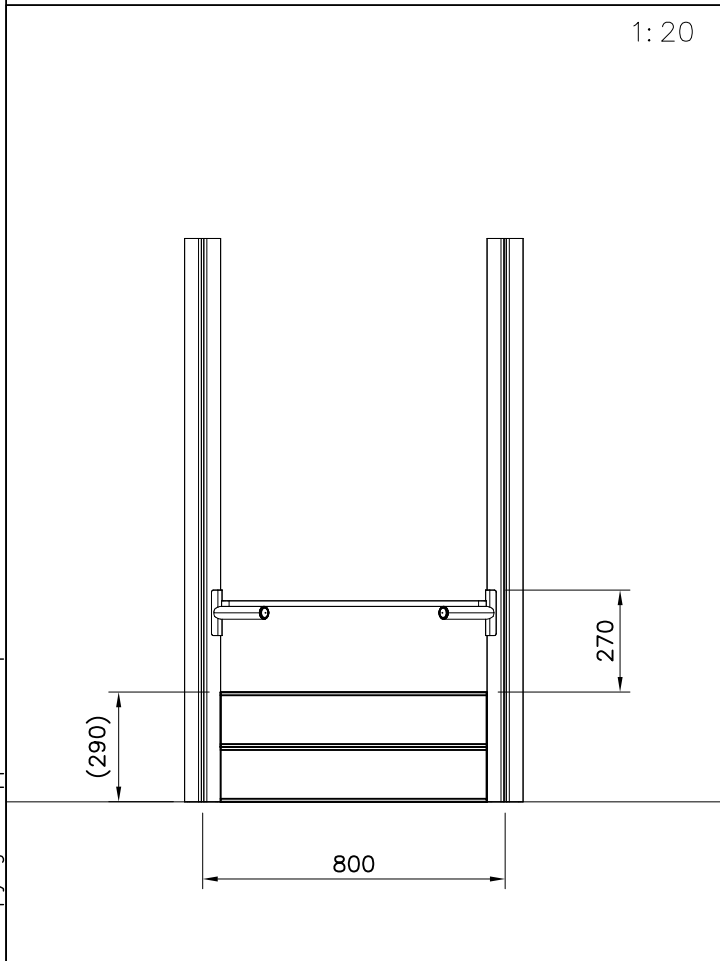
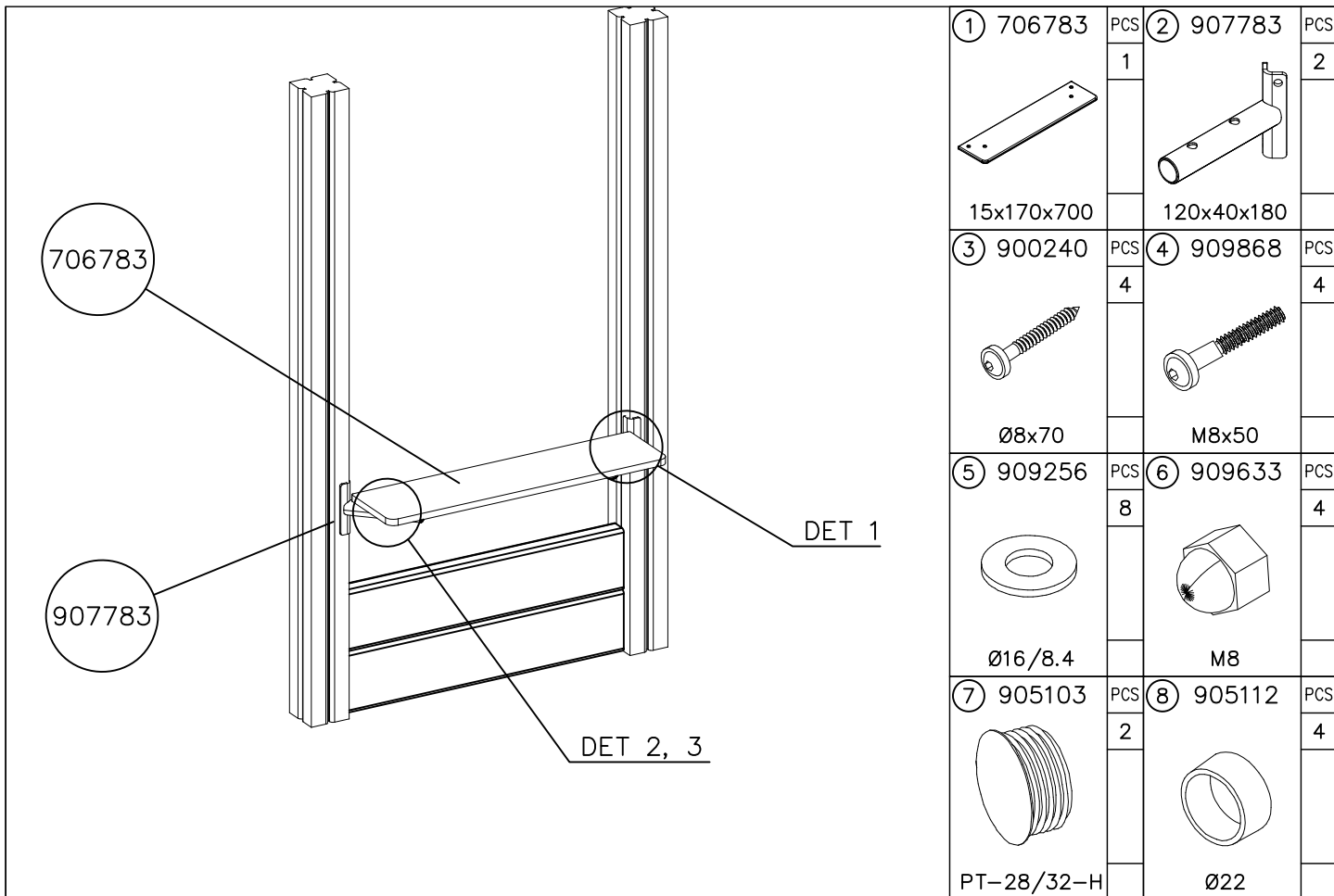
DATE: 27.10.2015

**1(1)**

② 905104	PCS		PCS
	4		
 M10	PCS		PCS



905104



DET 1

Pre-drill hole  
 Esireikä

Ø5 ↓ 50

907783

Ø16/8.4

(909256)

Ø8x70

(900240)

DET 2

907783

905103

DET 3

905112

M8x50

(909868)

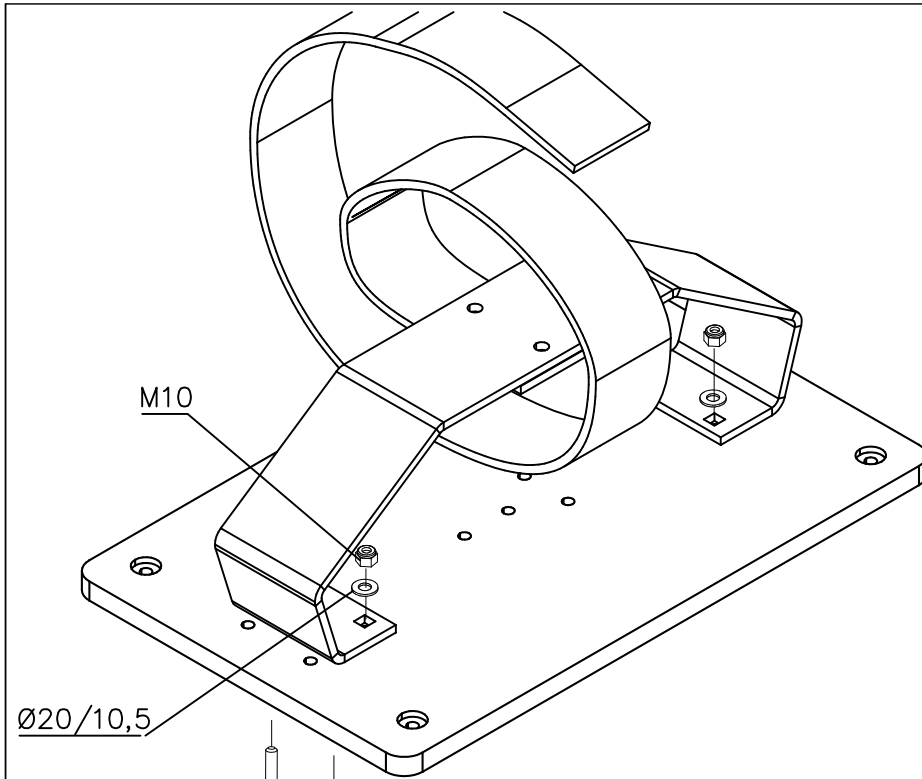
706783

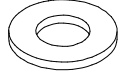
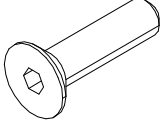



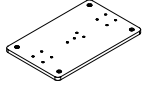
Ø16/8.4

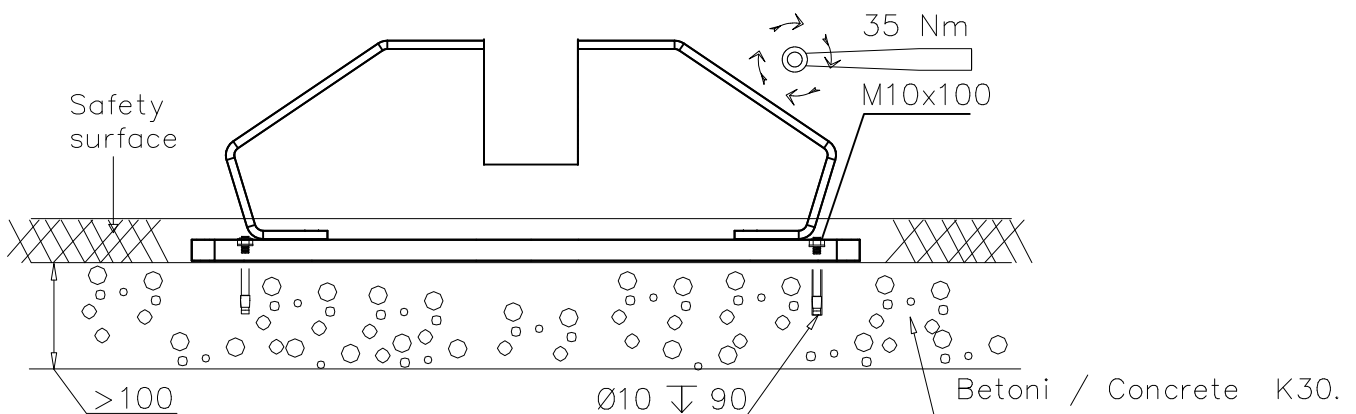
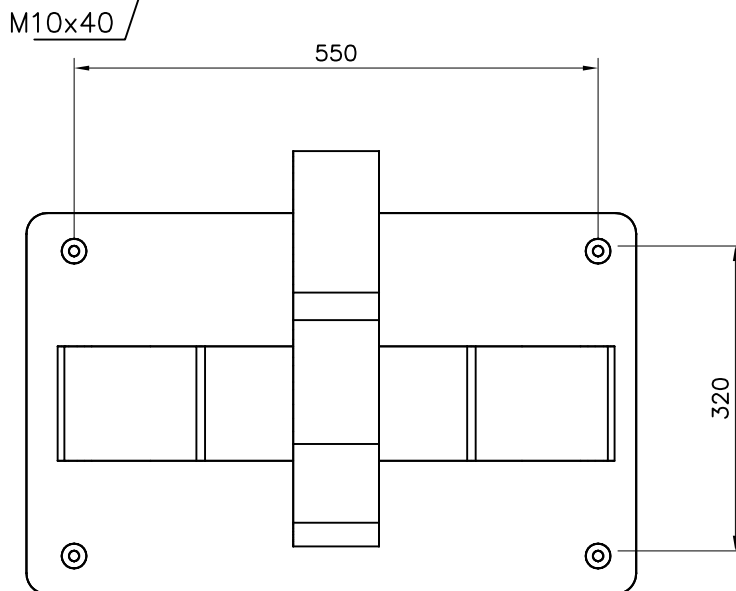
(909256)

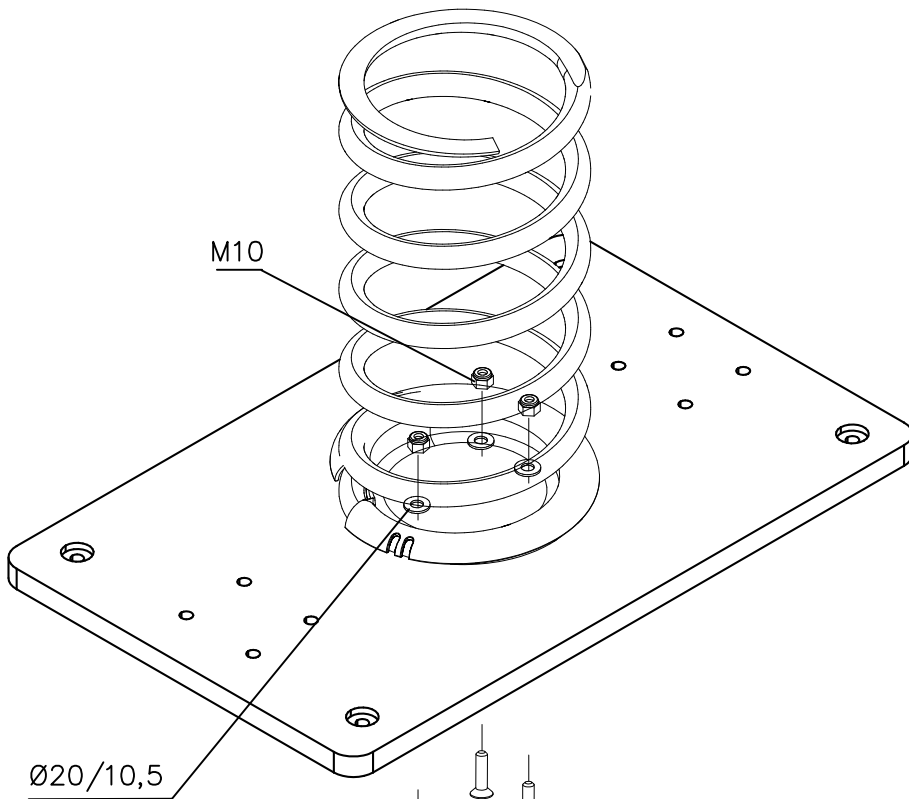
M8

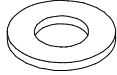
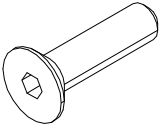



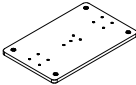
(909633)



①	901302	PCS	②	901487	PCS
		4			4
	Ø20/10,5			M10x40	
③	909628	PCS	④	980161	PCS
		4			4
				M10	
	M10x100				
⑤	707750	PCS			PCS
		1			
	20x400x640				





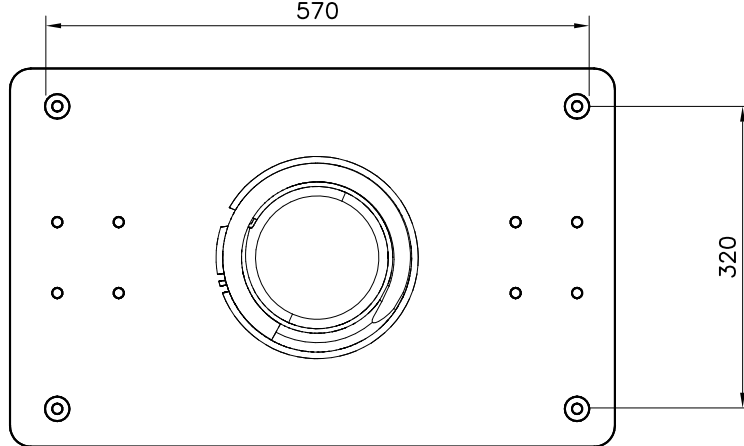
①	901302	PCS	②	901487	PCS
		3			3
	Ø20/10,5		M10x40		
③	909628	PCS	④	980161	PCS
		4			3
			M10		
	M10x100				
⑤	707750	PCS			PCS
		1			
	20x400x640				

Ø20/10,5

M10x40

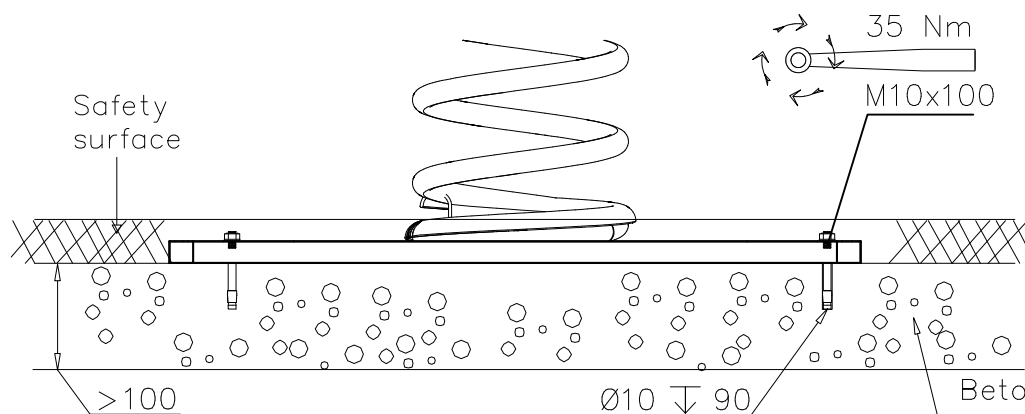
570

320



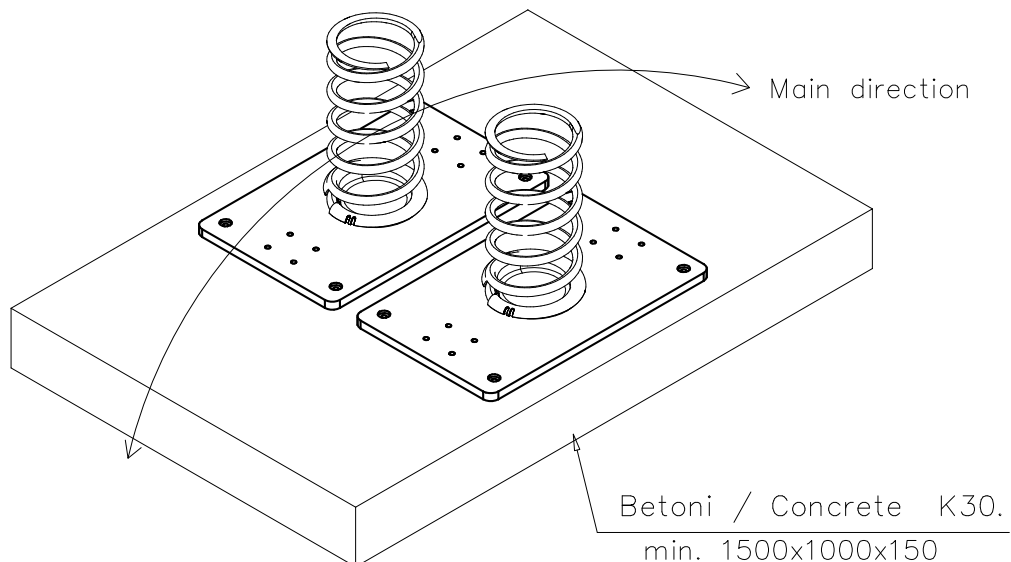
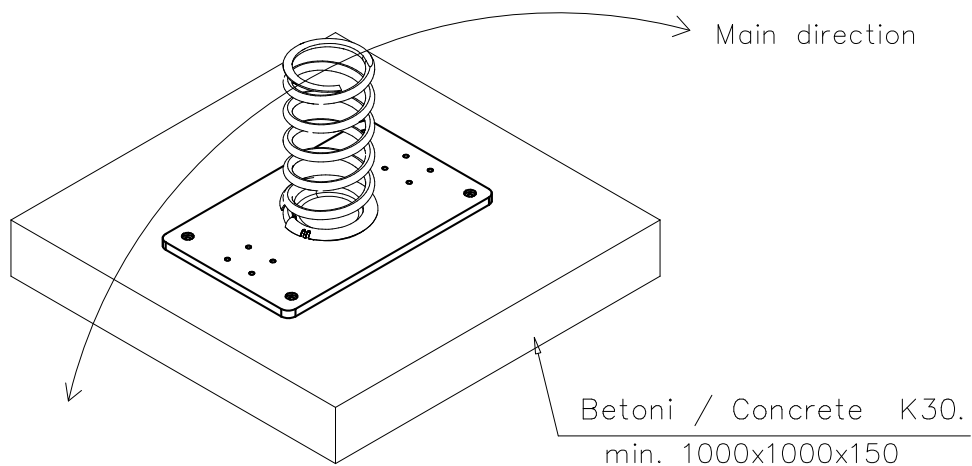
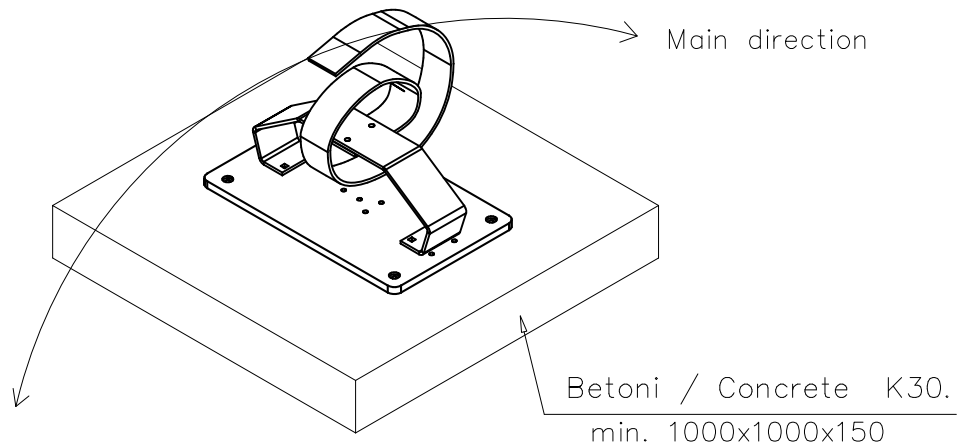
35 Nm

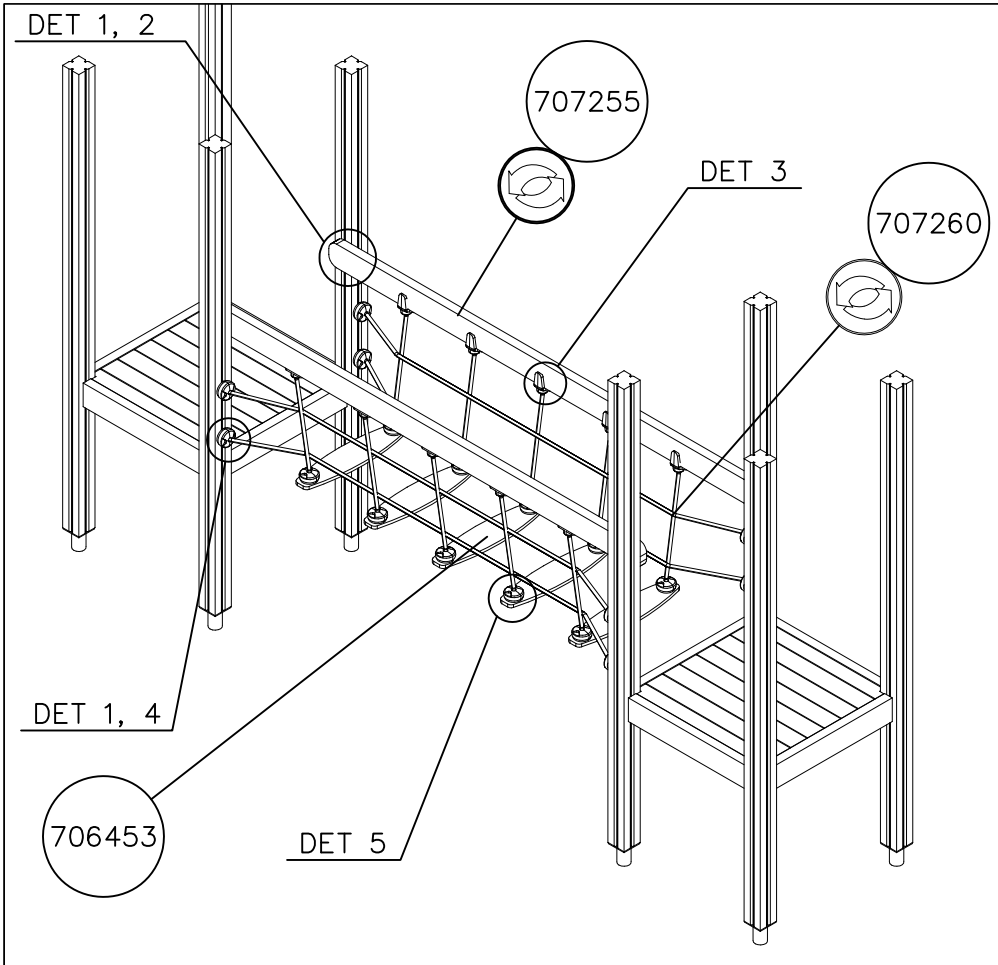
M10x100

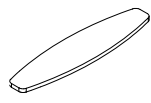
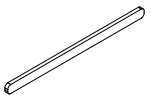
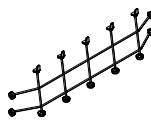
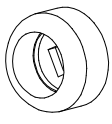
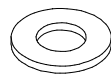

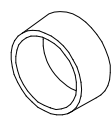
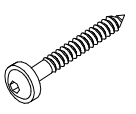


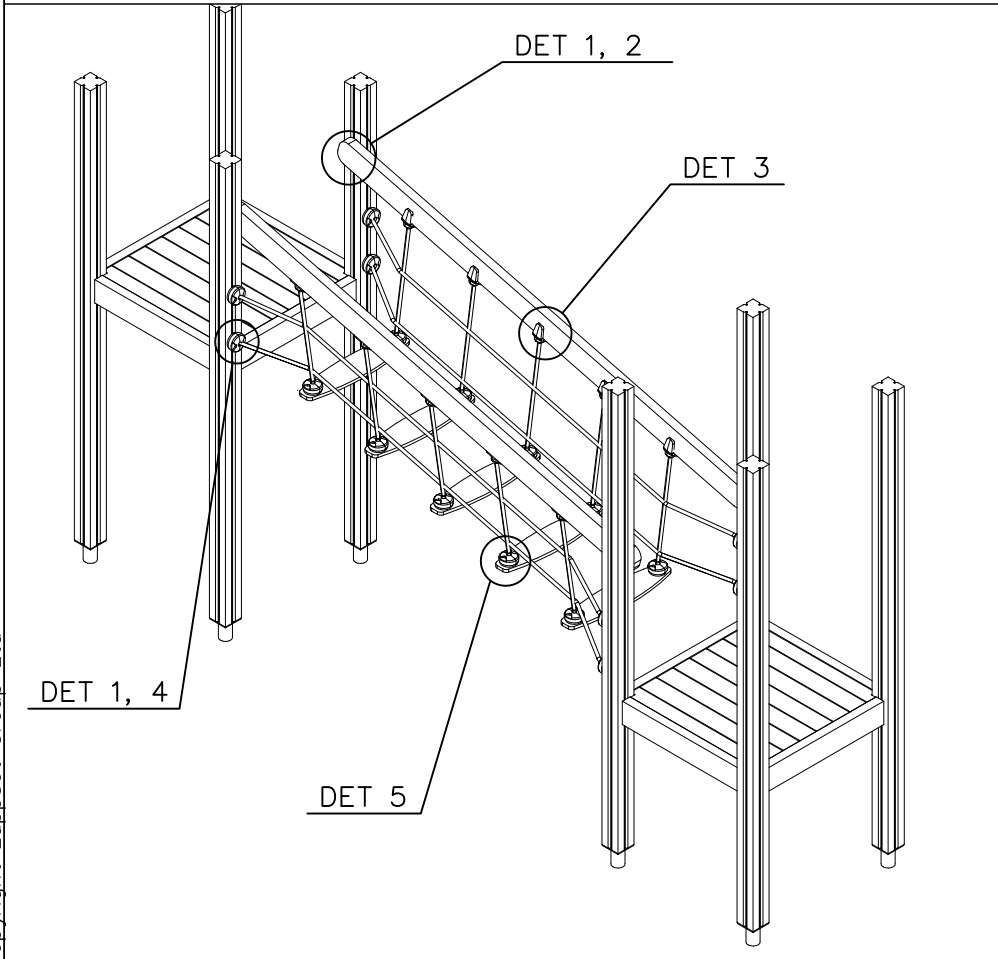
Safety surface


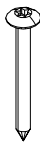
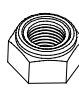
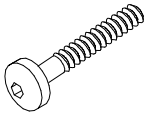
In case of concrete block



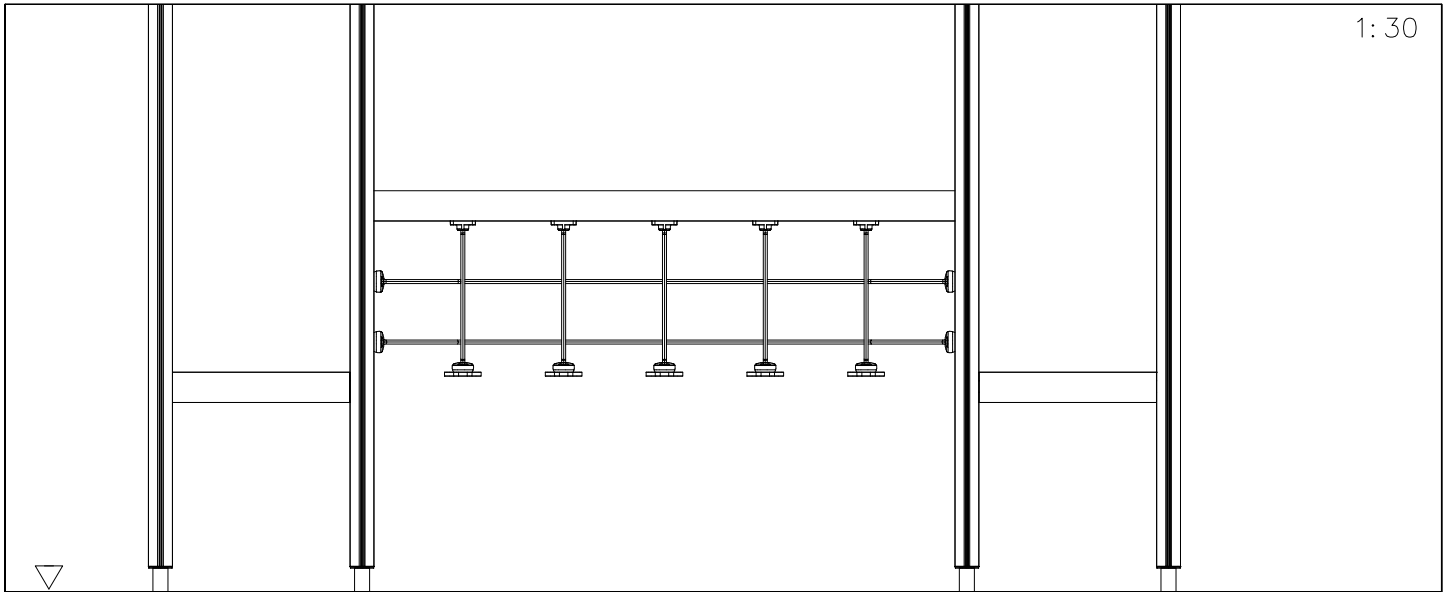


① 706453	PCS	② 707255	PCS
	5		2
15x145x600		45x120x2480	
③ 707260	PCS	④ 905083	PCS
	2		4
2375x600		Ø32	
⑤ 980151	PCS	⑥ 909232	PCS
	4		4
Ø16/8.4		8x120	
⑦ 905112	PCS	⑧ 900240	PCS
	4		16
Ø22		Ø8x70	



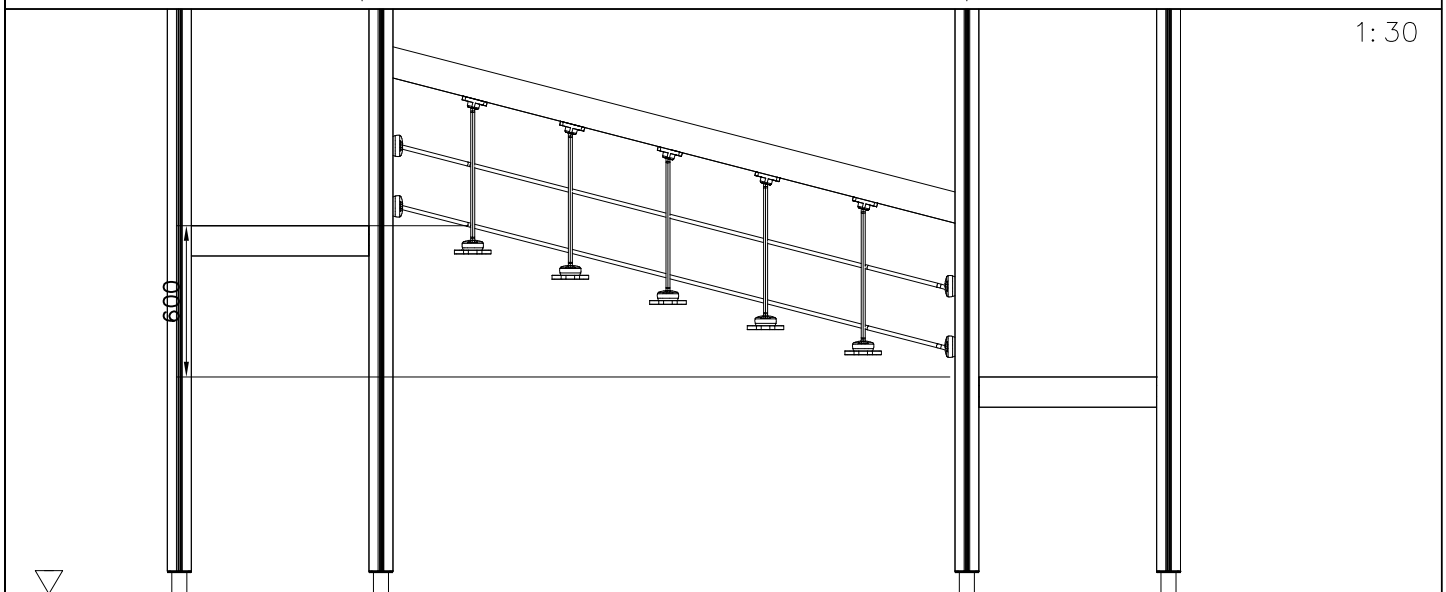
⑨ 980123	PCS	⑩ 980128	PCS
	20		10
Ø7x60		Ø7x40	
⑪ 980150	PCS	⑫ 901899	PCS
	20		20
M8		M8x45	
	PCS		PCS
	PCS		PCS





1:30

2400



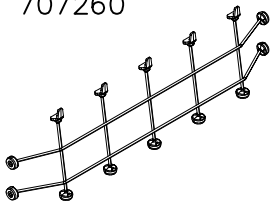
1:30

600

2320

### NET OPTIONS

707260

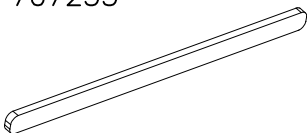


2375x600

- 707260-301 BLUE
- 707260-302 RED
- 707260-303 BEIGE
- 707260-304 GRAY
- 707260-305 BLACK
- 707260-306 YELLOW

### RAILING OPTIONS

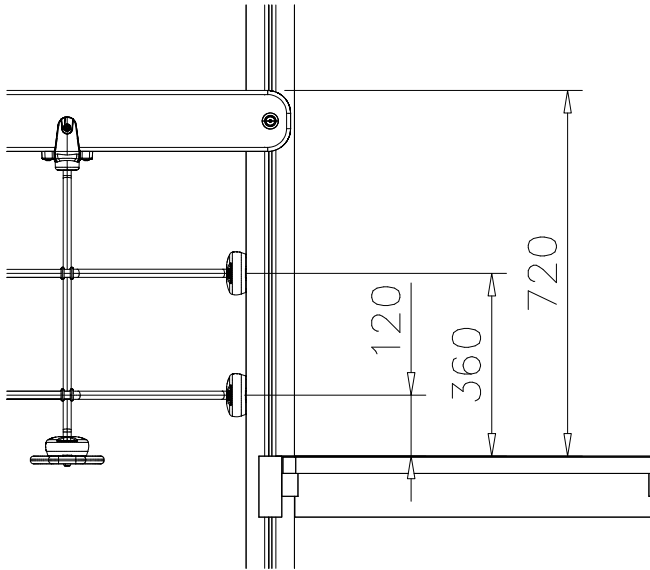
707255



45x120x2480

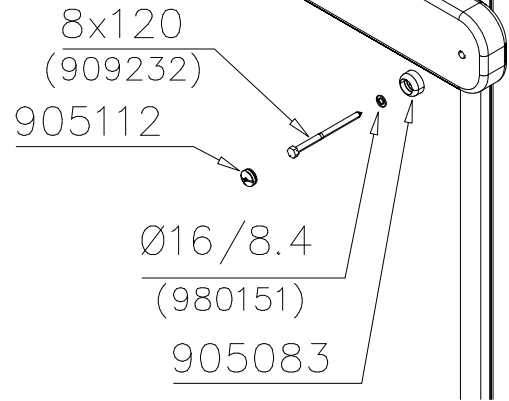
- |                      |                   |
|----------------------|-------------------|
| 707255-605 DARK GRAY | 707255-609 GREEN  |
| 707255-606 GRAY      | 707255-610 YELLOW |
| 707255-607 RED       | 707255-611 LIME   |
| 707255-608 BLUE      | 707255-612 FUXIA  |

DET 1

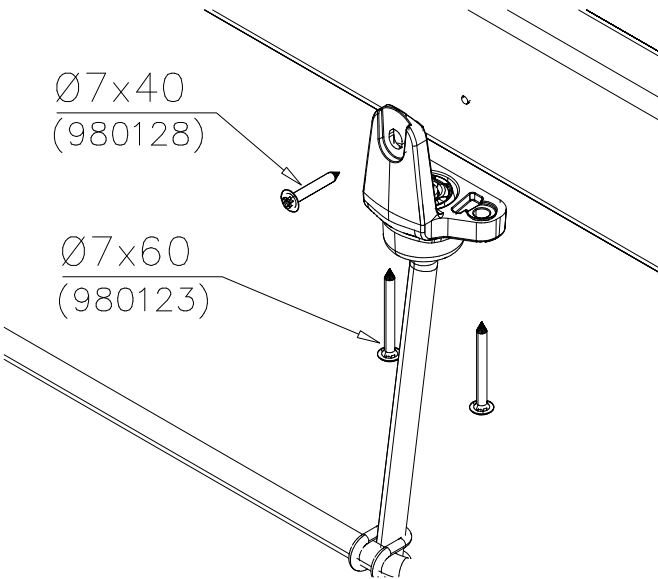


DET 2

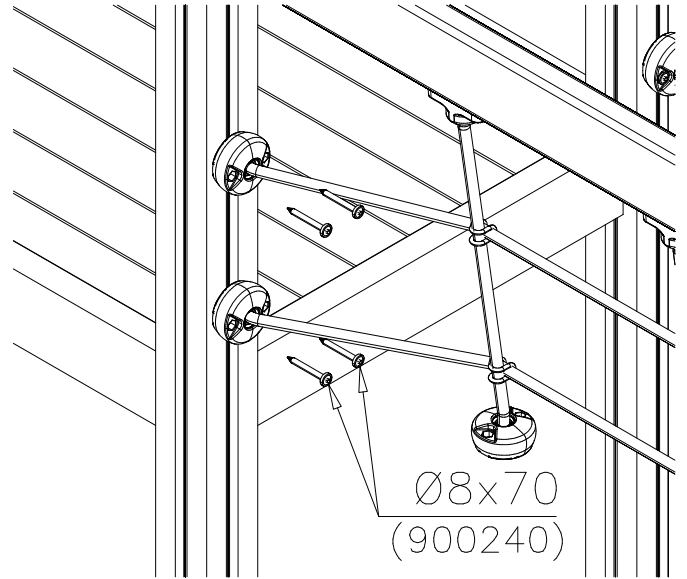
Note:  
in side  
Bridge



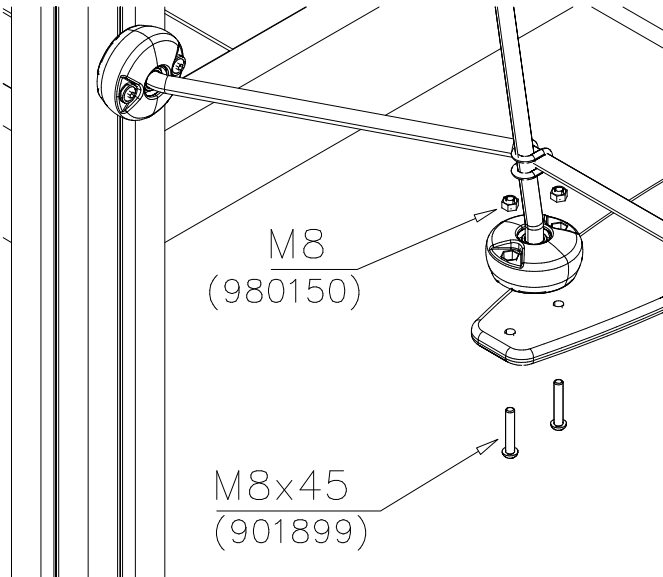
DET 3



DET 4

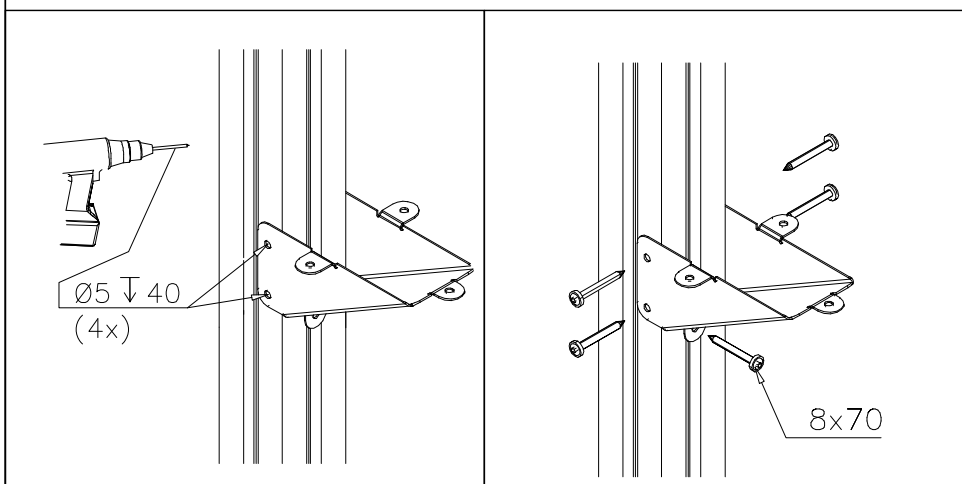
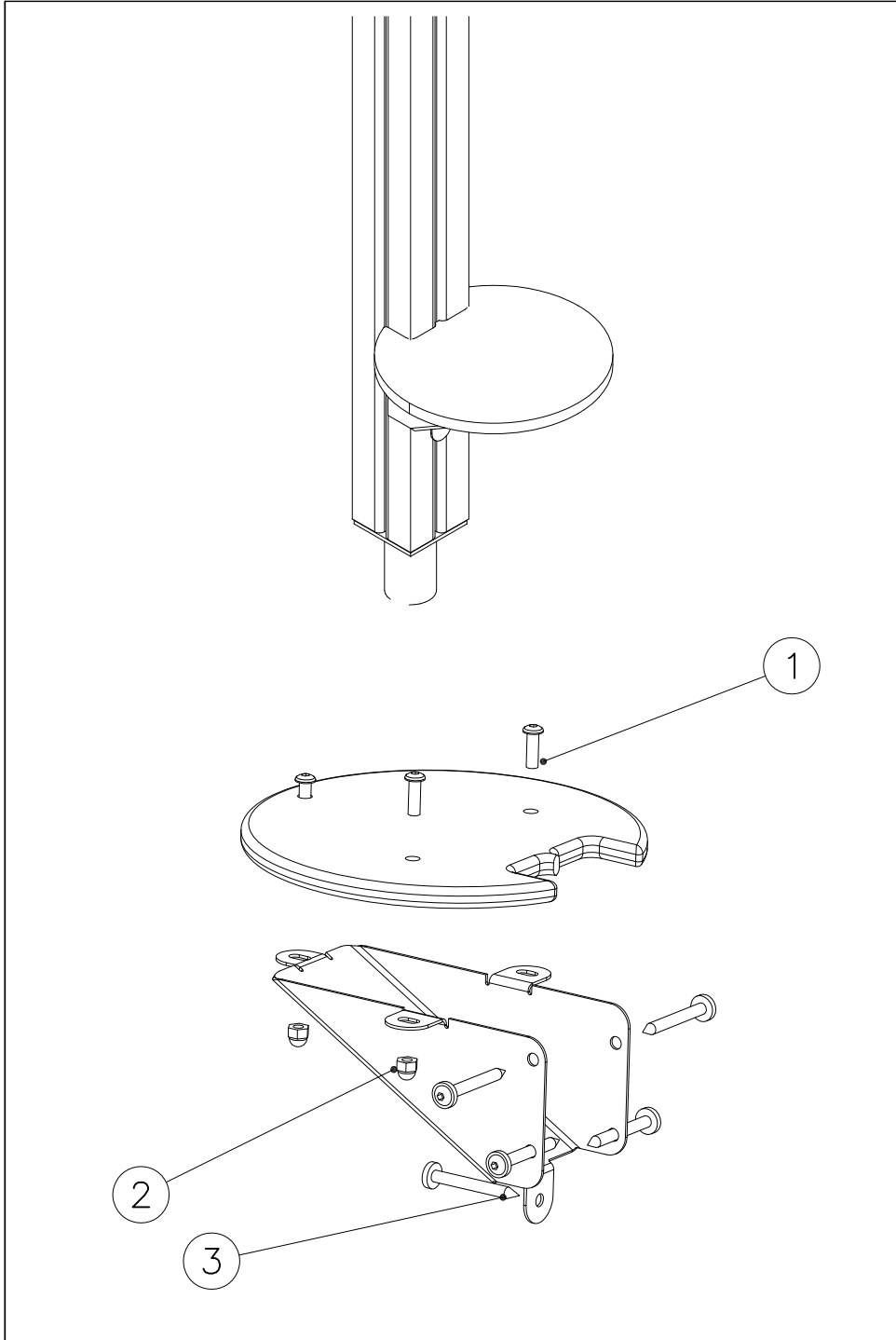


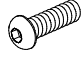


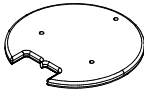
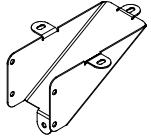
DET 5

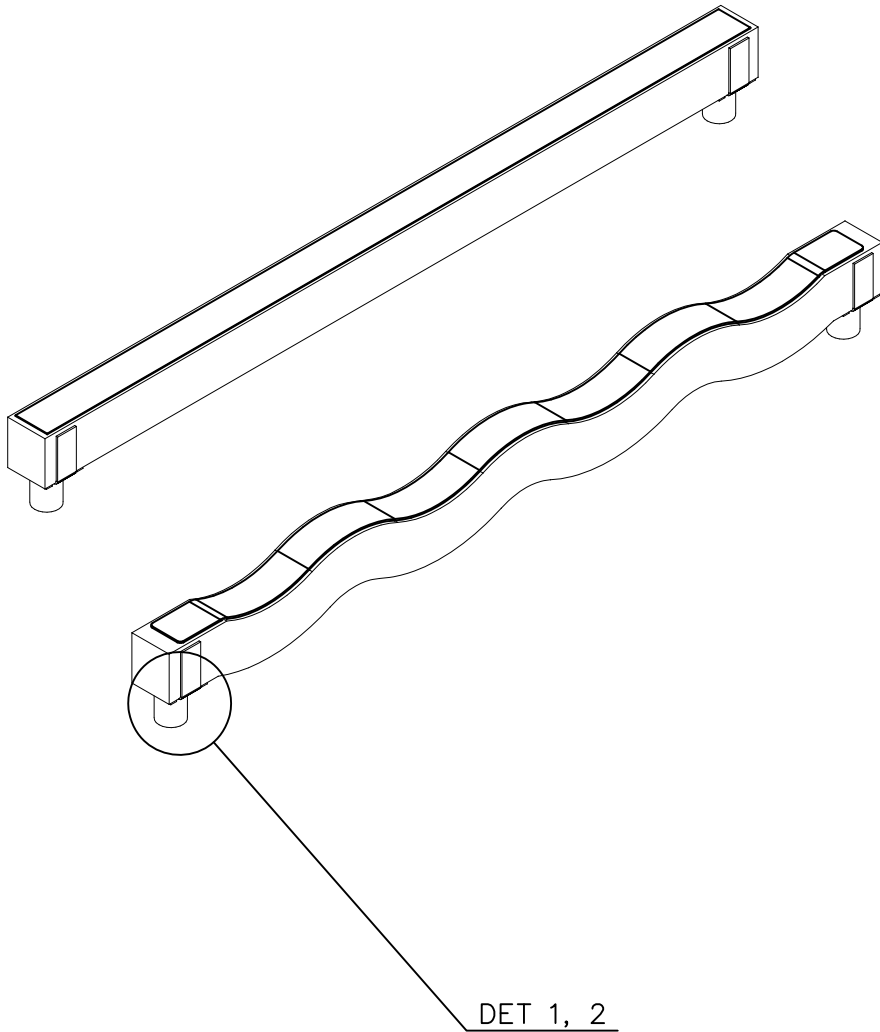




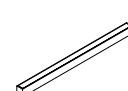
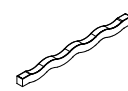
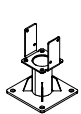

DET 6



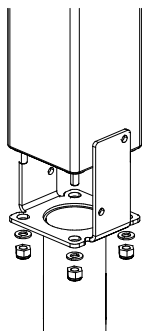


①	909850	PCS	②	909633	PCS
		3			3
	M8x25			M8	
③	900240	PCS			PCS
		5			
	Ø8x70				
		PCS			PCS
○	707696	PCS	○	902086	PCS
		1			1
	15x265x275			148x172x254	
		PCS			PCS
		PCS			PCS
		PCS			PCS
		PCS			PCS

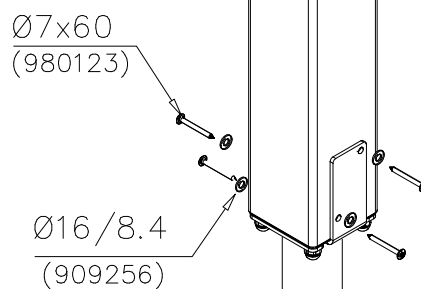


① 980123	PCS	② 909256	PCS
	8		8
Ø7x60		Ø16/8.4	
	PCS		PCS
	PCS		PCS
	PCS		PCS
○ 705566	PCS	○ 705590	PCS
			
140x120x2294		120x200x2294	
○ 905780	PCS	○ 905761	PCS
			
SURFACE		DEEP	
	PCS		PCS
	PCS		PCS

DET 1



DET 2

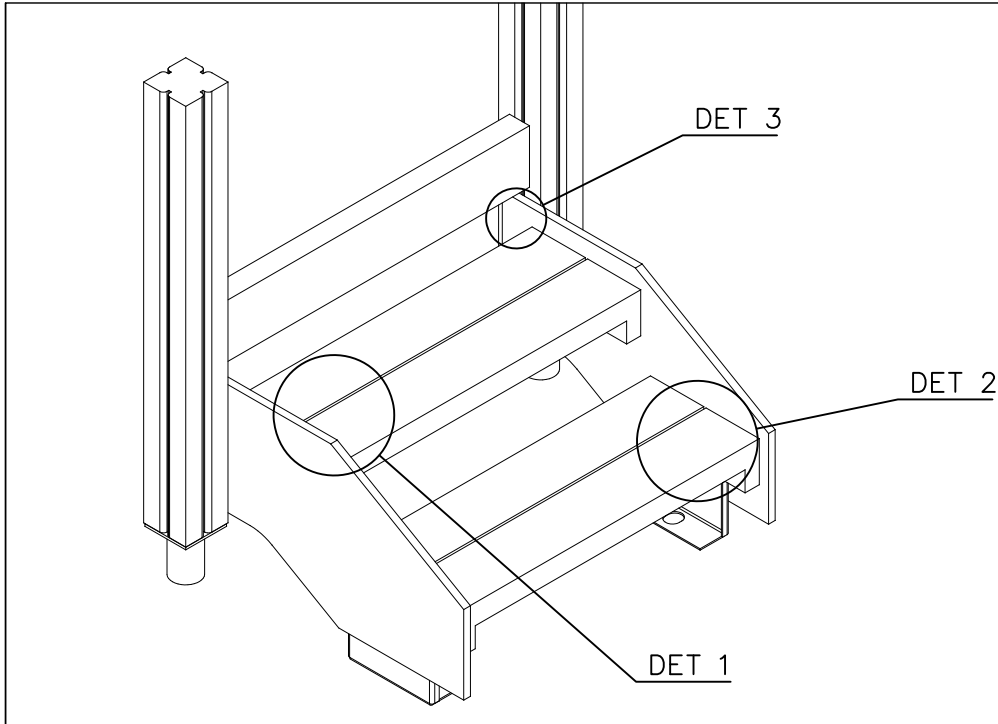







# LAPPSET® FASTENER KIT

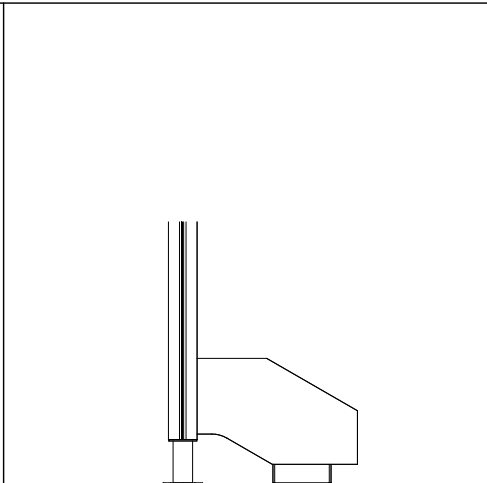
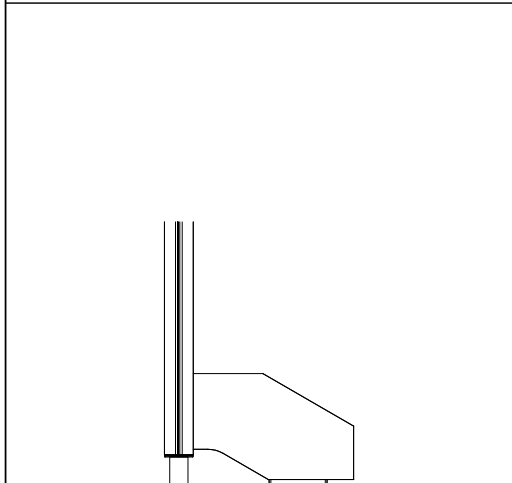
# 707887

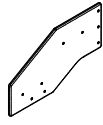
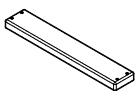
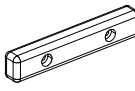
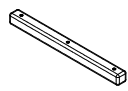
DATE: 13.3.2019

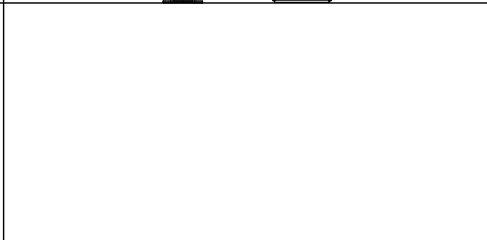
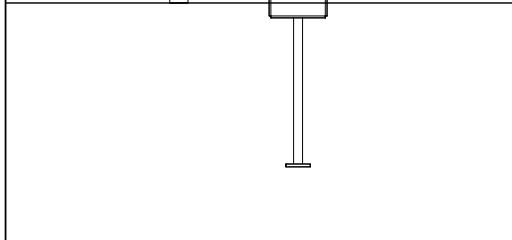
# 1(1)

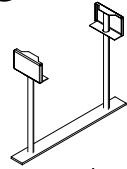
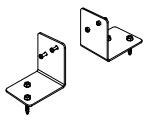


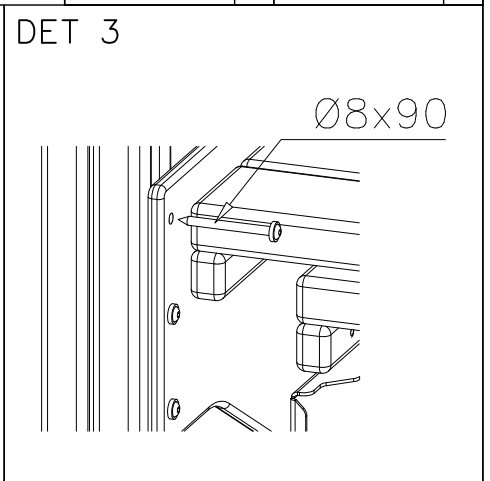
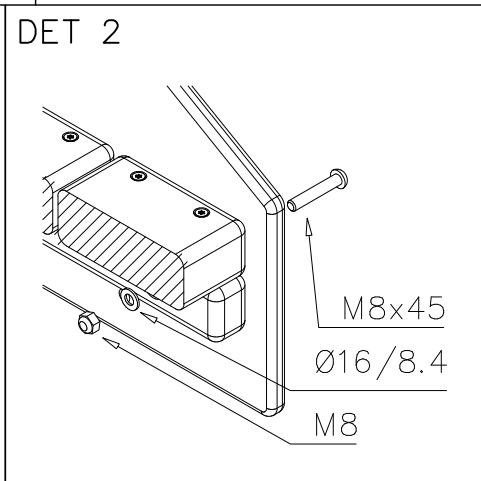
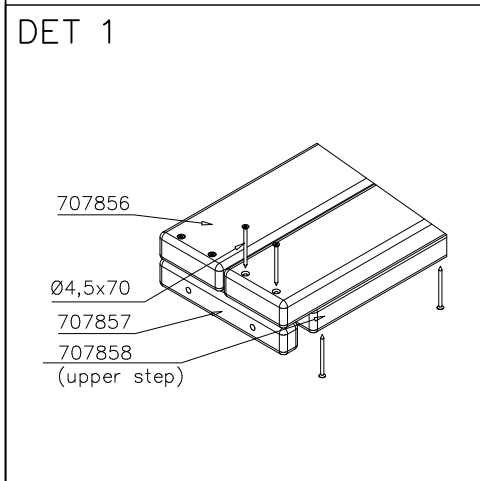
① 980160	PCS	② 901899	PCS
	8		8
M8		M8x45	
③ 903093	PCS	④ 909256	PCS
	6		8
Ø8x90		Ø16/8.4x1.6	
⑤ 980101	PCS		PCS
	19		
Ø4.5x70			



○ 707855	PCS	○ 707856	PCS
	2		4
15x600x350		45x120x672	
○ 707857	PCS	○ 707858	PCS
	4		1
32x45x245		45x45x540	



○ 704431	PCS	○ 704341	PCS
	1		1

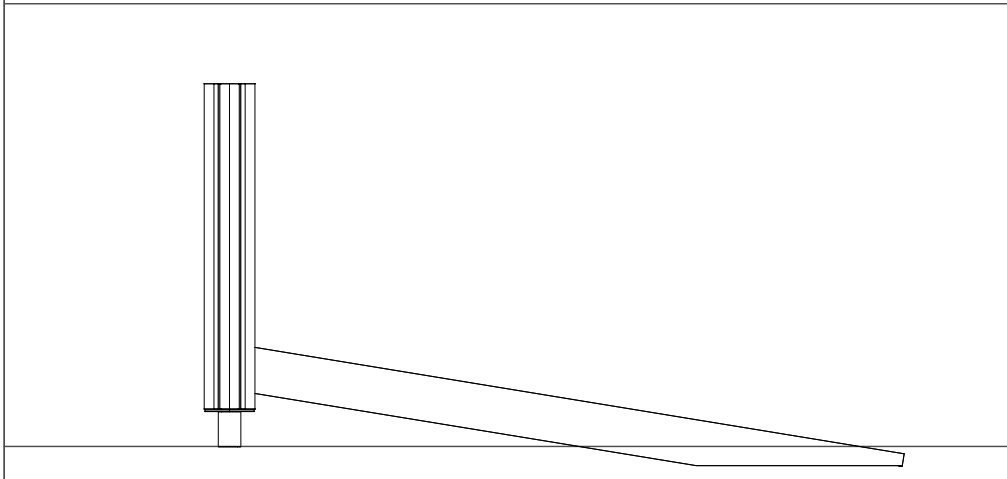
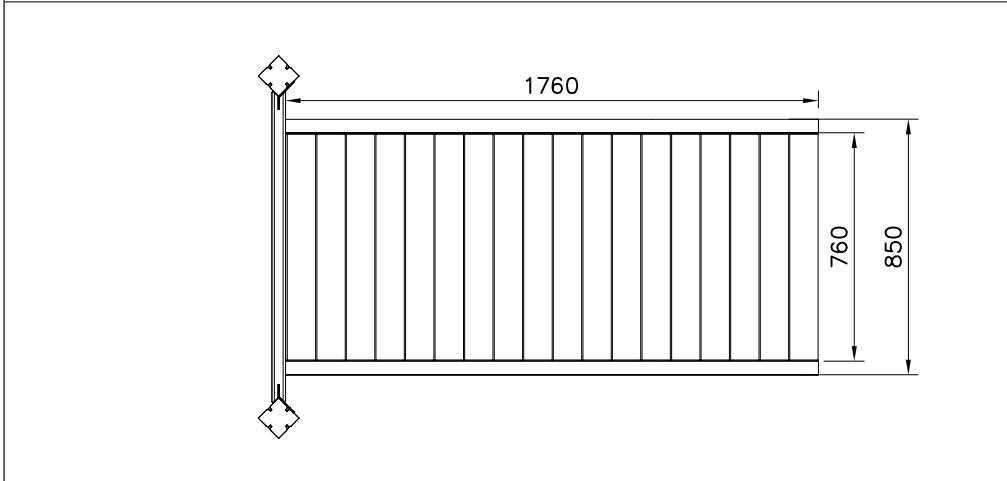
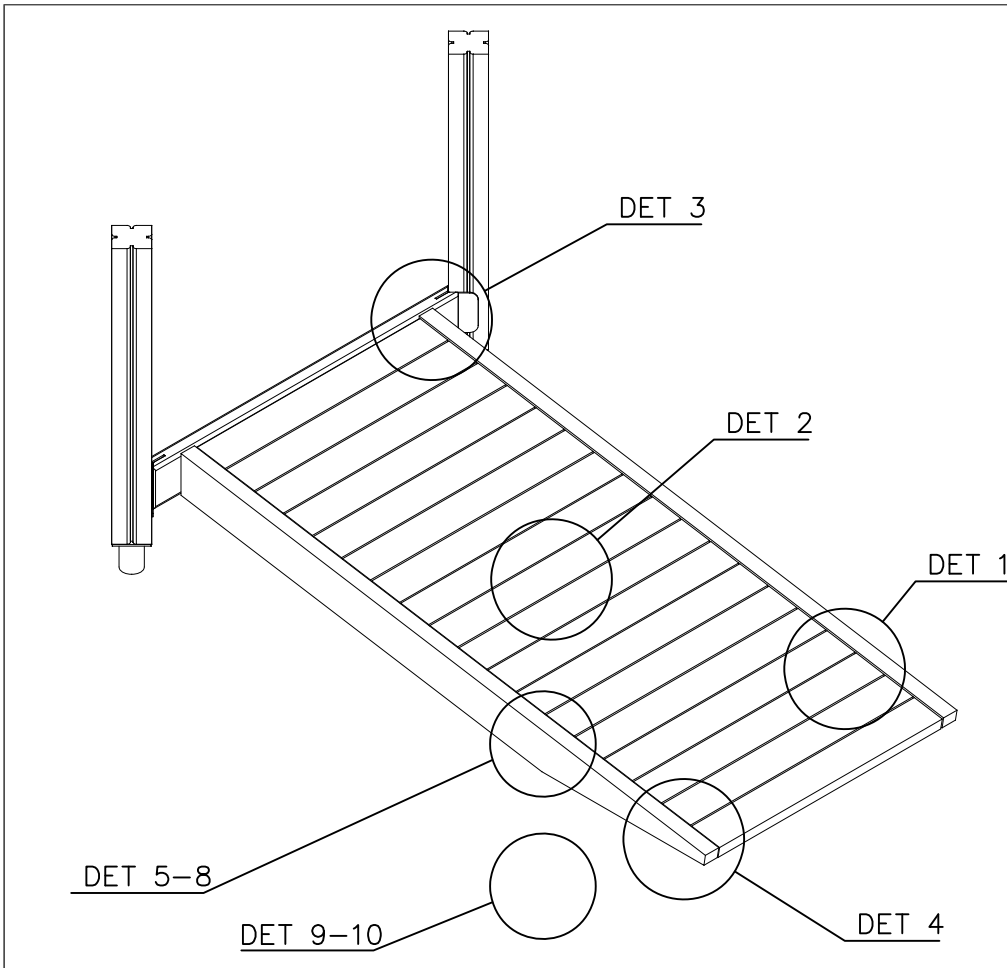


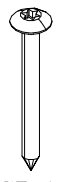
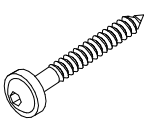

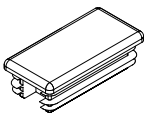

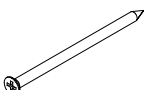

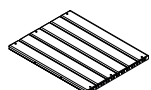
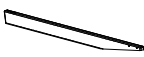
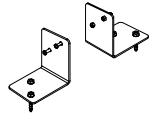

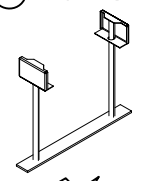

# LAPPSET® FASTENER KIT

# 707888

DATE: 16.3.2021

# 1(3)



① 980128  Ø7x40	PCS 4	② 900240  Ø8x70	PCS 12
③ 903093  Ø8x90	PCS 2	④ 906942 	PCS 2
⑤ 980101  Ø4,5x70	PCS 18	⑥ 980104  Ø5x90	PCS 4
	PCS		PCS
	PCS		PCS
○ 707862  32x45x1700	PCS 2		PCS
○ 707861  750x590	PCS 3	○ 707860  45x120x1785	PCS 2
○ 704341  	PCS 1	○ 704431  	PCS 1

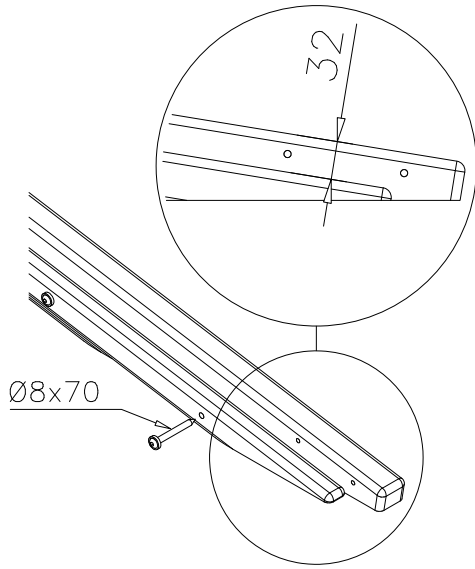
# LAPPSET® FASTENER KIT

# 707888

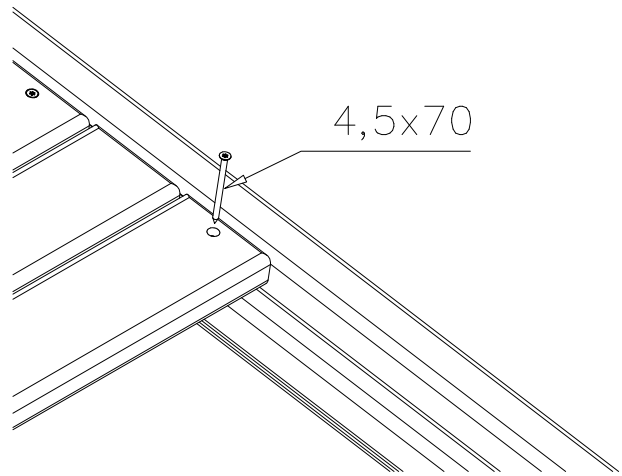
DATE: 16.3.2021

2(3)

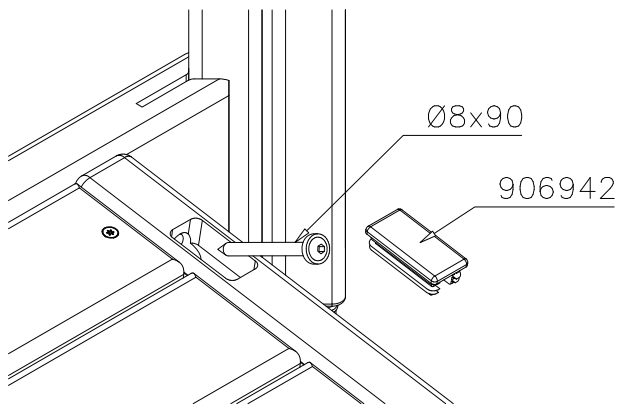
DET 1



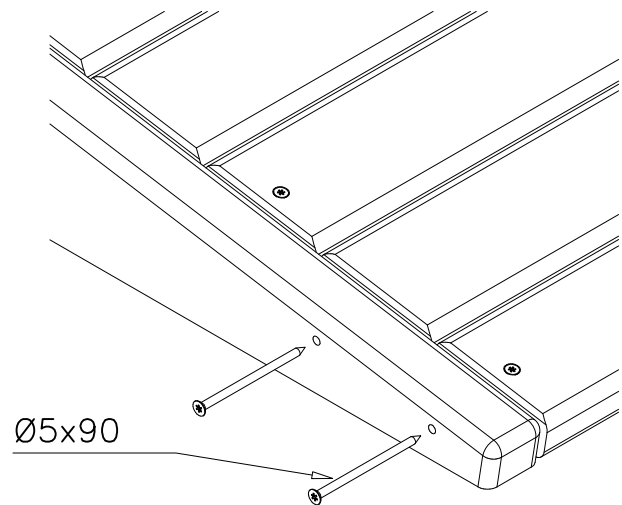
DET 2



DET 3

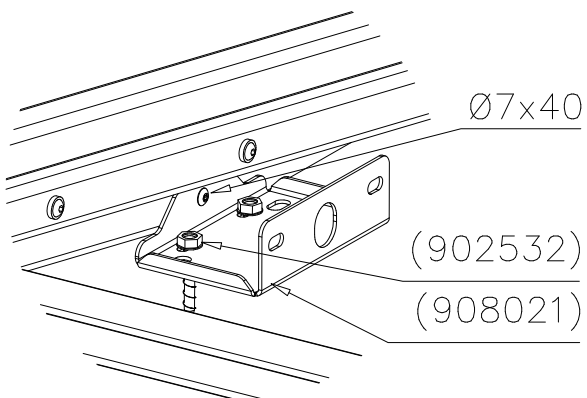


DET 4

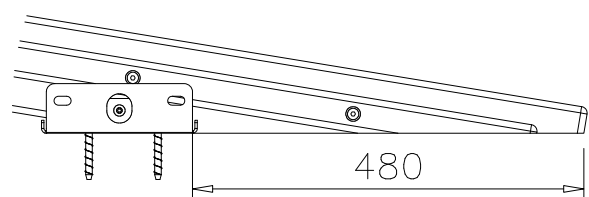


## SURFACE MOUNTING (704341)

DET 5



DET 6



# LAPPSET® FASTENER KIT

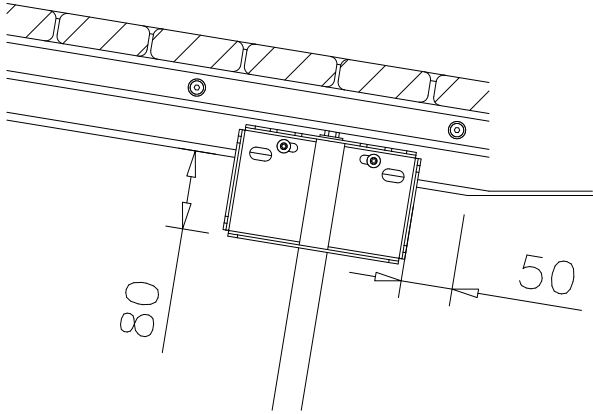
# 707888

DATE: 16.3.2021

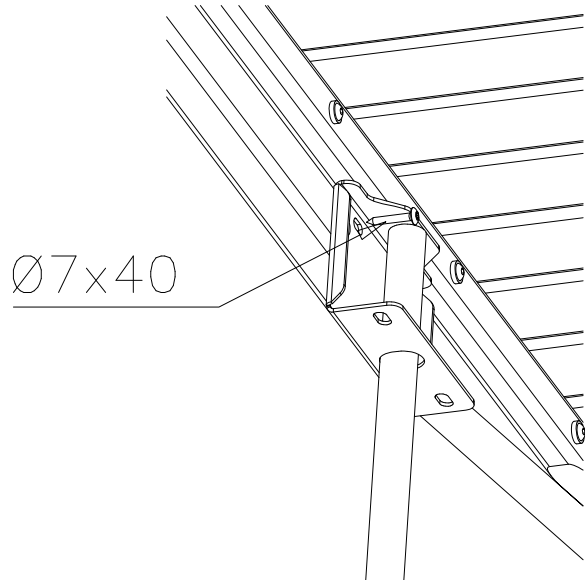
3(3)

DEEP MOUNTING (704431)

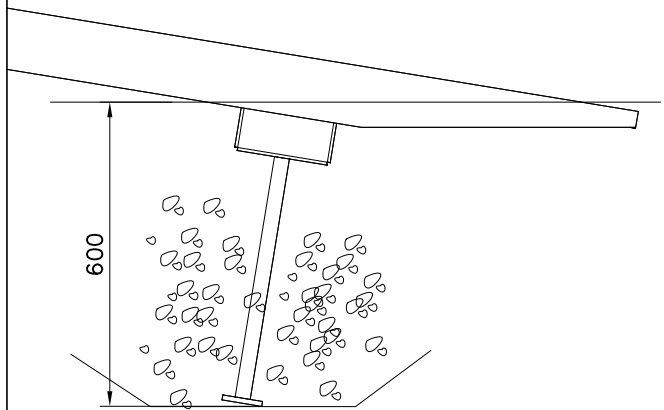
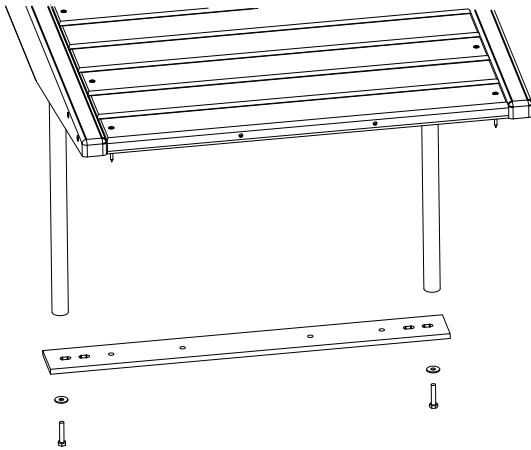
DET 7



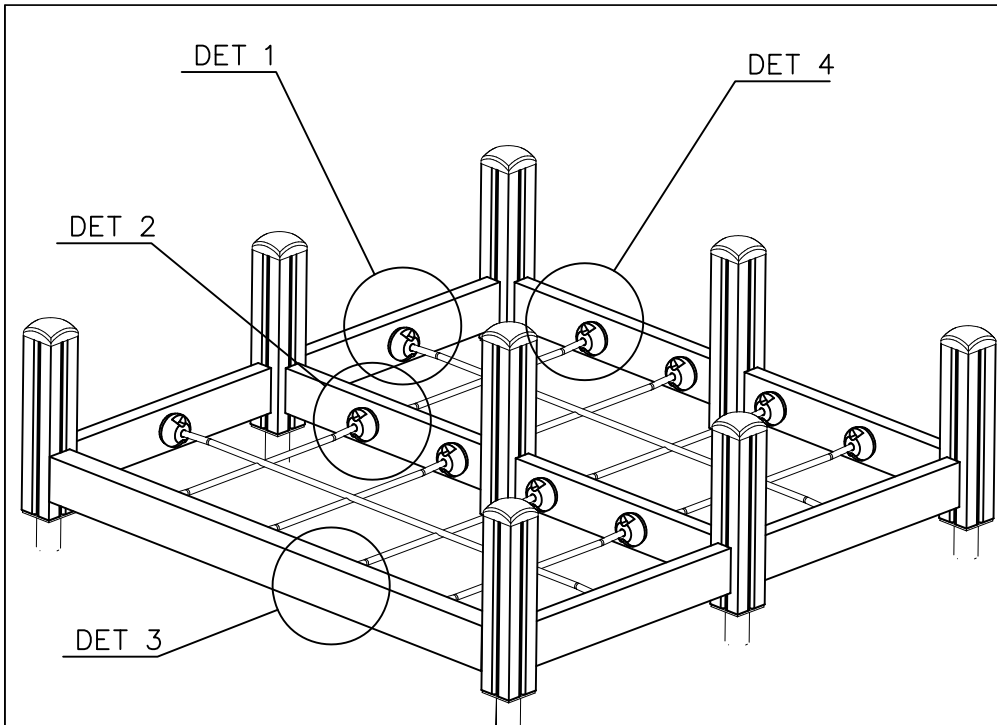
DET 8


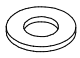
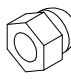
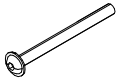
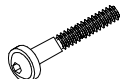



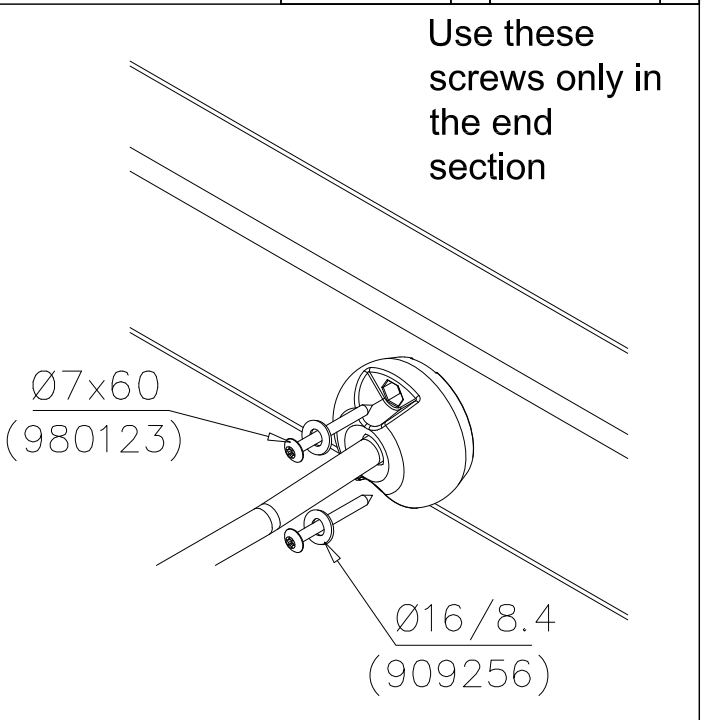
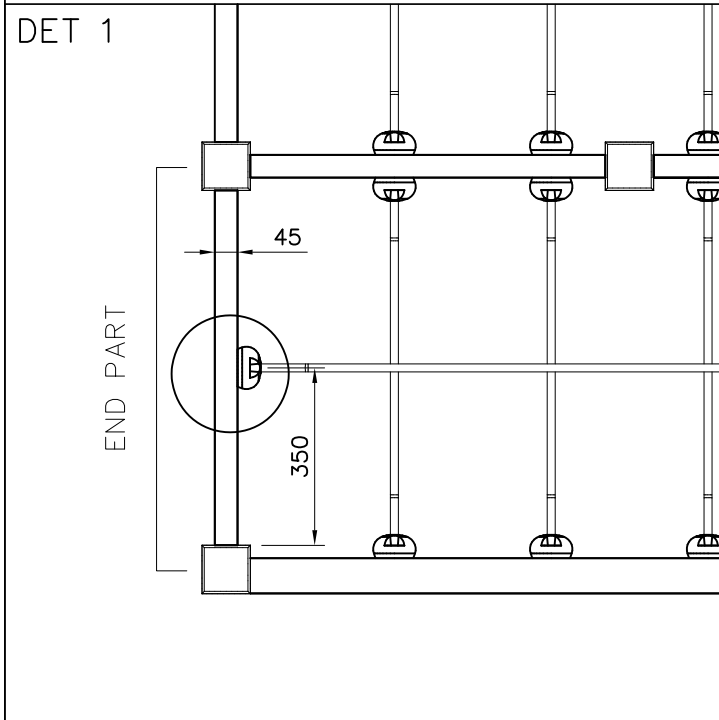
DET 9



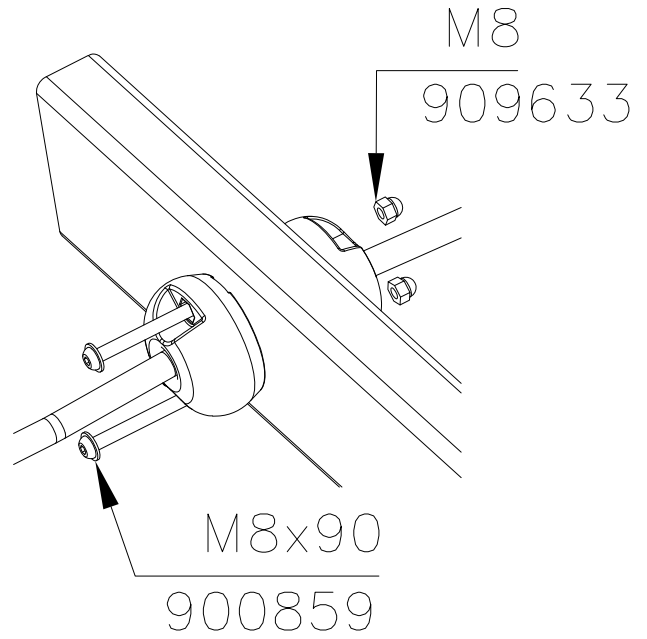
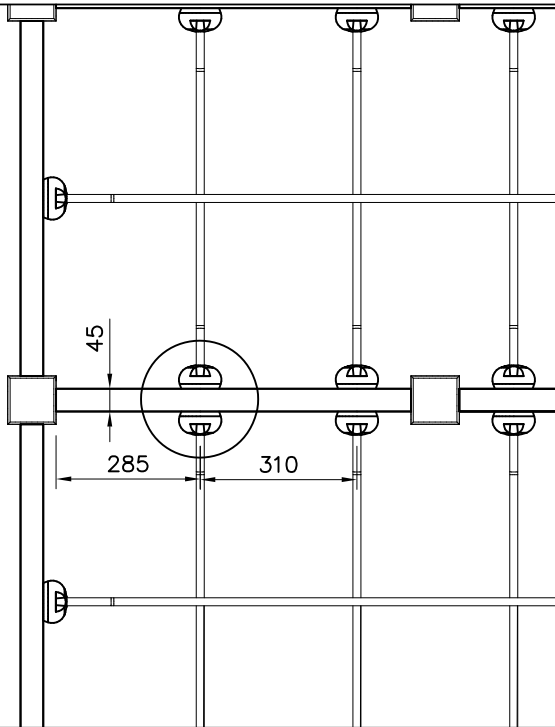




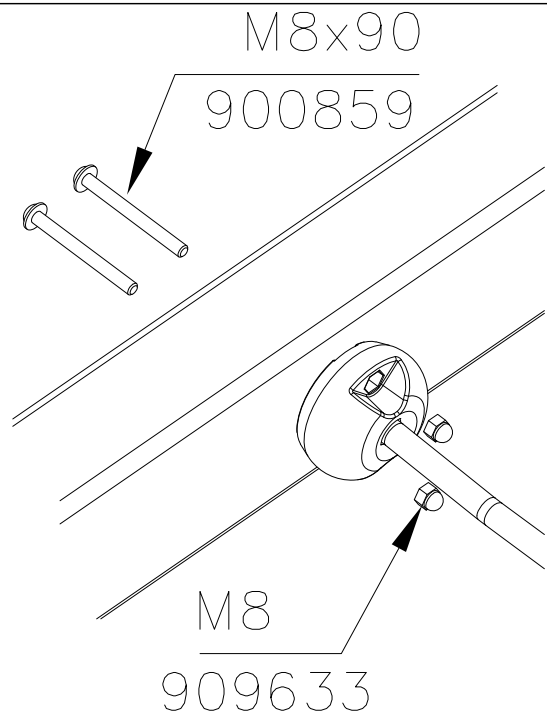
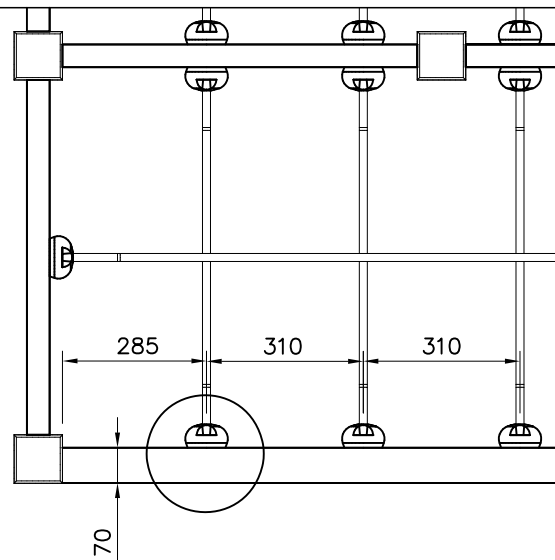
① 980123  Ø7x60	PCS 4	② 909256  Ø16/8.4	PCS 4
③ 909633  M8	PCS 16	④ 900859  M8x90	PCS 16
	PCS	⑤ 909867  M8x70	PCS 16
	PCS		PCS
	PCS	○ 707893  755x1555	PCS



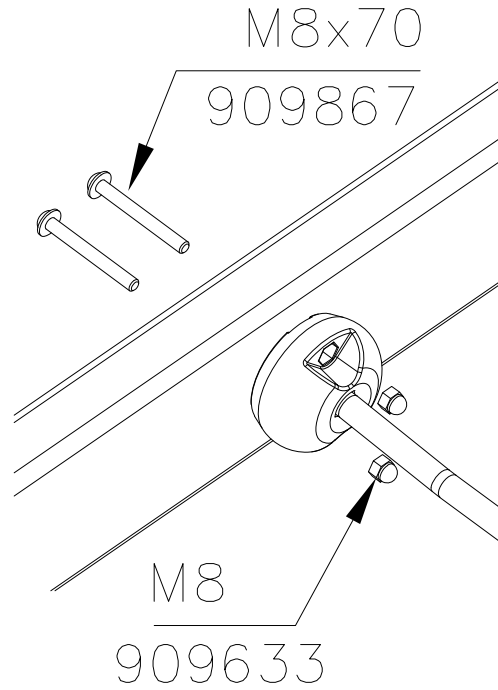
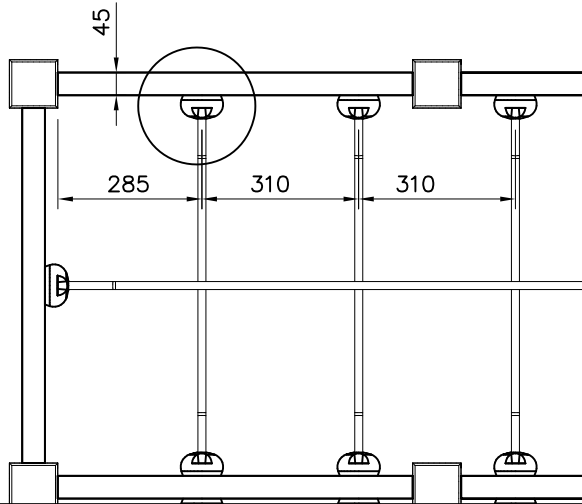
DET 2



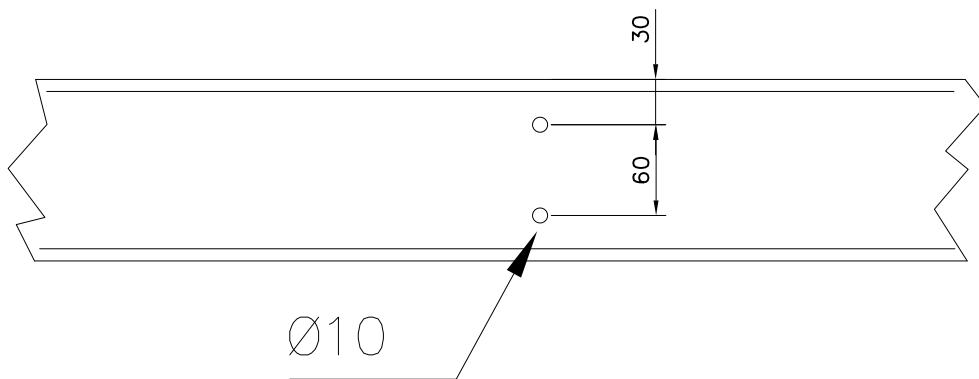
DET 3

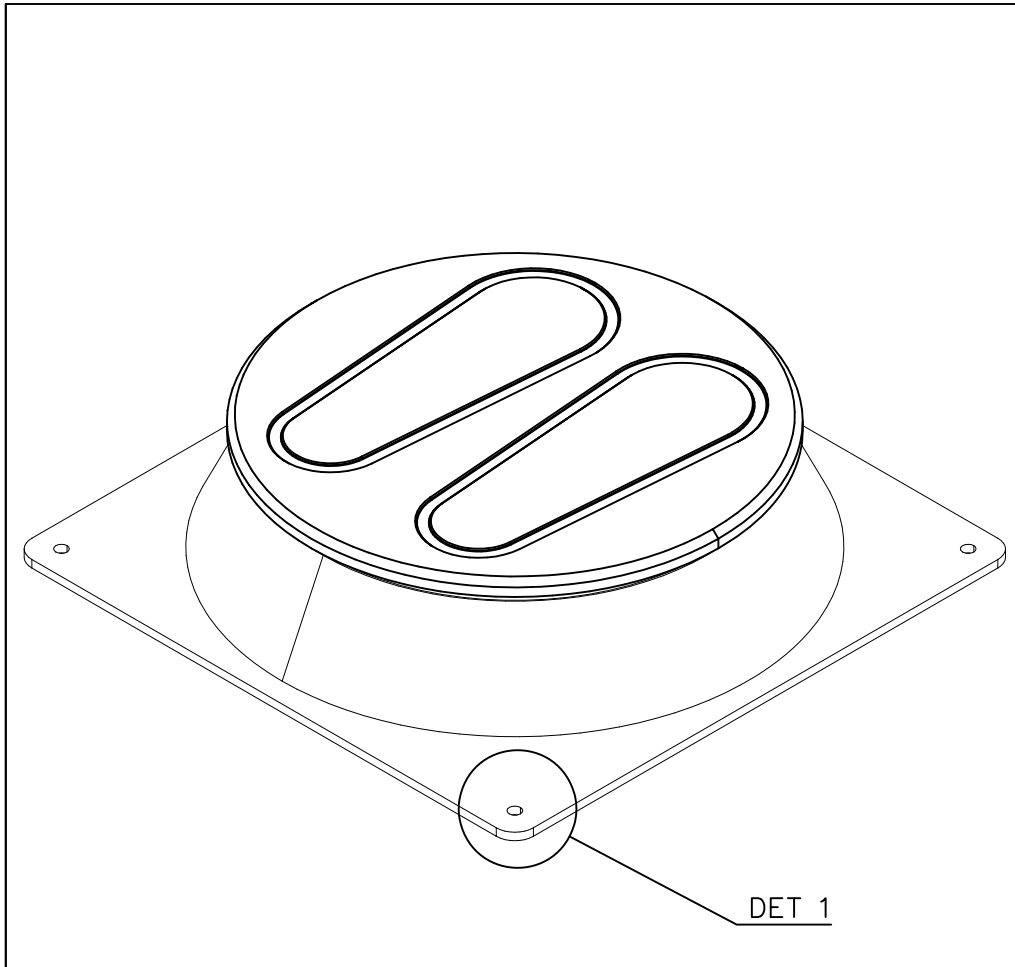



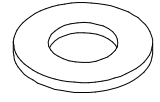
DET 4



Drill the necessary holes in the booms  
(Dets 2-4)

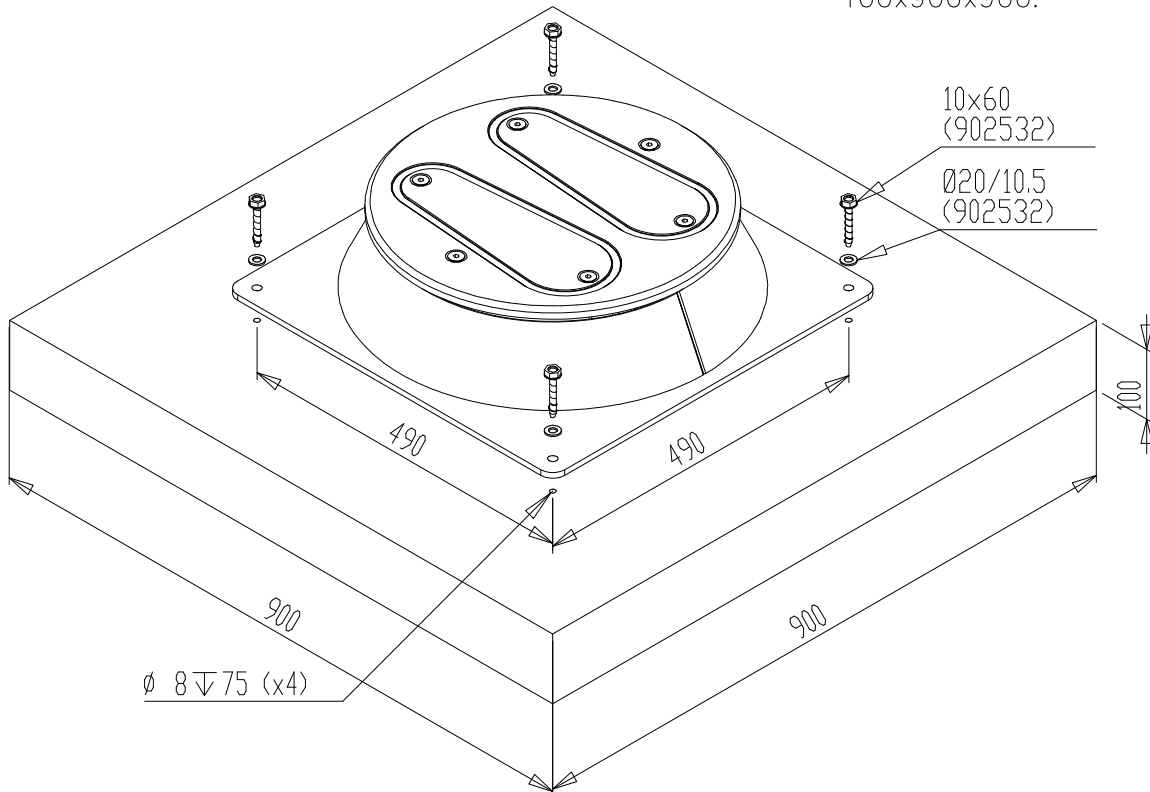




① 902532	PCS	② 909638	PCS
	4		4
10x60		Ø20/10,5	
	PCS		PCS
	PCS		PCS
	PCS		PCS

DET 1

IF MOUNTED ON OWN  
CONCRETE BASE, SLAB SIZE  
100x900x900.



# LAPPSET®

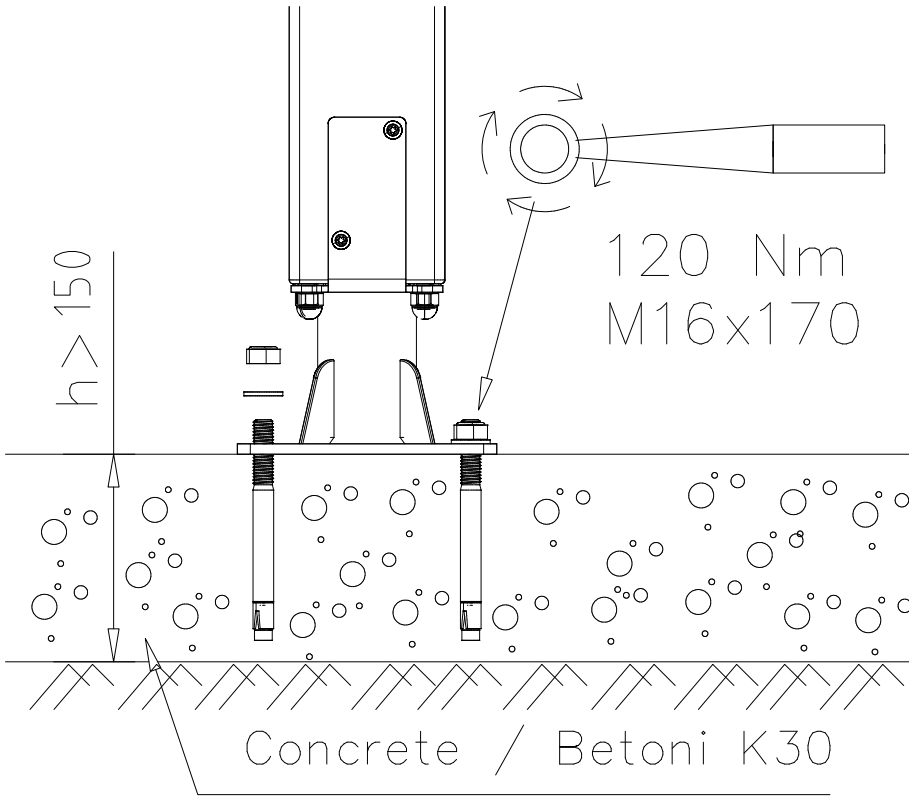
## SURF. FOUNDATION



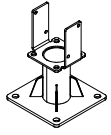
# FOOT

120x120 POST AND BEAMS

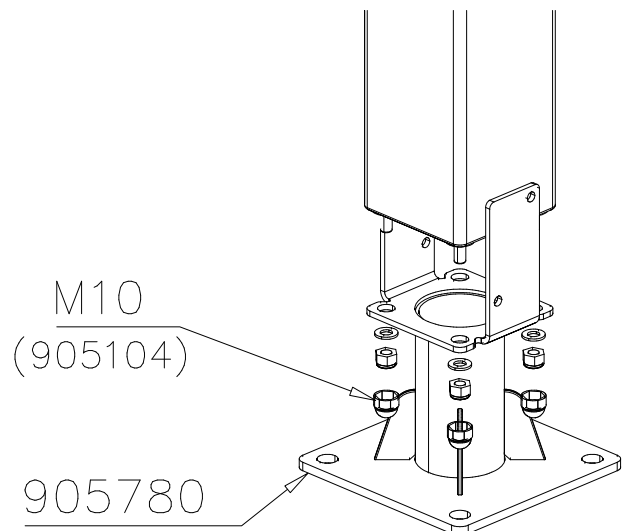
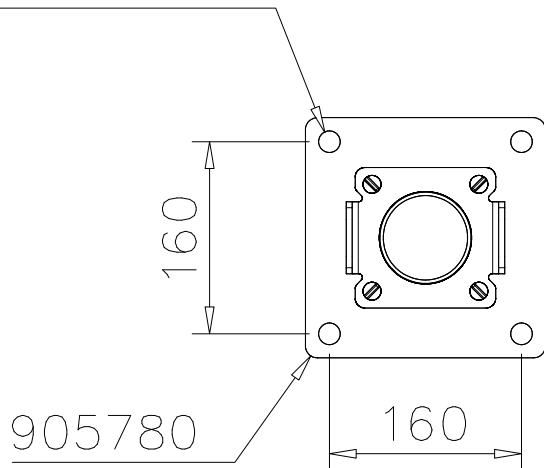
DATE: 21.4.2016

**4A**



① 904450	PCS	② 905104	PCS
	4		4
M16x170		M10	
	PCS		PCS
	PCS		PCS
	PCS		PCS
○ 905780	PCS		PCS
			
SURFACE			

$\varnothing 16 \downarrow > 130$





## Tuotekyltti tulee tuotteen mukana yhdellä seuraavista tavoista:

### 1) Metallinen tuotekyltti ja kiinnitysruuvit

- Kiinnitä tuotekyltti ruuveilla tolppaan noin 2 metrin korkeuteen kuvan 1 mukaisesti.

### 2) Tuotekylttitarra

- Puhdista maalattu metalli- tai vaneripinta pölystä ja kosteudesta. Liimaa tarra kuvan 2 mukaisesti.
- Huom. Älä kiinnitä tarraa karheapintaiseen laminaattiin tai maalattuun puuhun.

## Vår produktmärkning levereras på ett av följande sätt:

### 1) Produktskylt i metall

- Fäst skylten med de medföljande skruvarna

### 2) Självhäftande produktetikett

- Rengör den pulverlackerade metallytan eller laminatyten så att den blir fri från smuts och fukt. Fäst etiketten enligt fig. 2.
- Obs! Fäst ej etiketten på detaljer med skrovlig yta eller på målat trä.

## Product label is delivered by one of following ways:

### 1) Metal product label and screws

- Fasten the label with screws.

### 2) Label sticker

- Clean the painted metal or plywood surface from dirt and moisture. Fasten the sticker as shown in the figure 2.
- Note. Do not attach the sticker to rough surfaced laminate or painted wood.

## La plaque d'informations produit est livrée sous l'une de ces 3 formes :

### 1) Plaque métallique et vis

- Fixez la plaque à l'aide des vis.

### 2) Etiquette autocollante

- Avant de coller l'étiquette, nettoyez le composant métallique peint ou la plaque de contreplaqué, de toute saleté. La surface doit être sèche (voir image 2).
- Attention, ne pas coller l'étiquette sur une surface lamellé-collée irrégulière ou sur du bois peint.

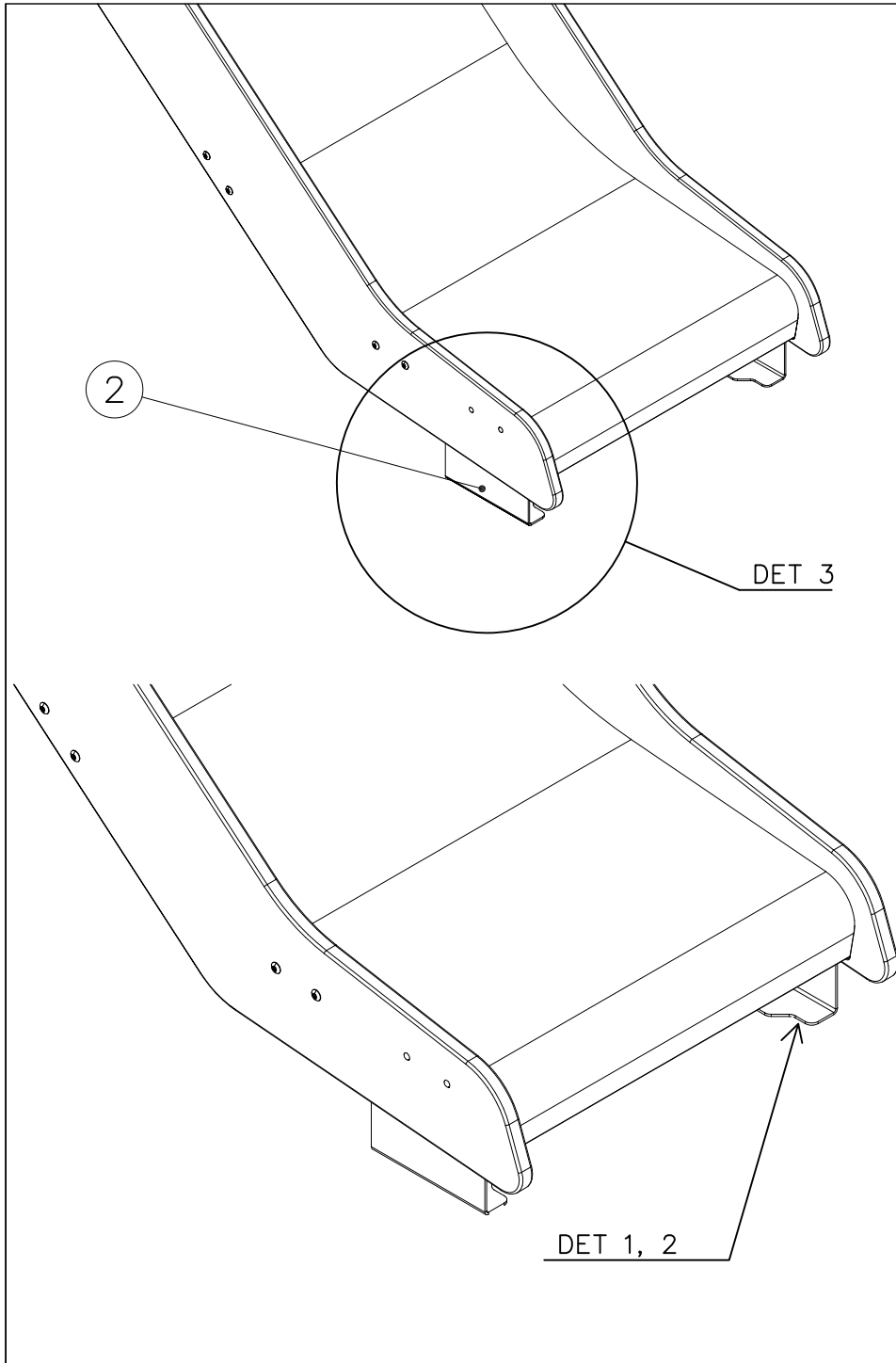
## Die Auslieferung des Produktaufklebers erfolgt auf eine dieser Arten:

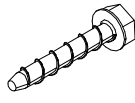
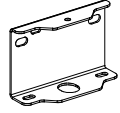
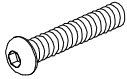


### 1) Produkt-Schild aus Metall incl. Schrauben

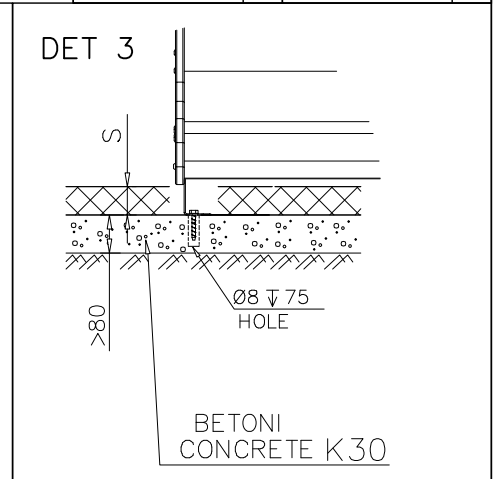
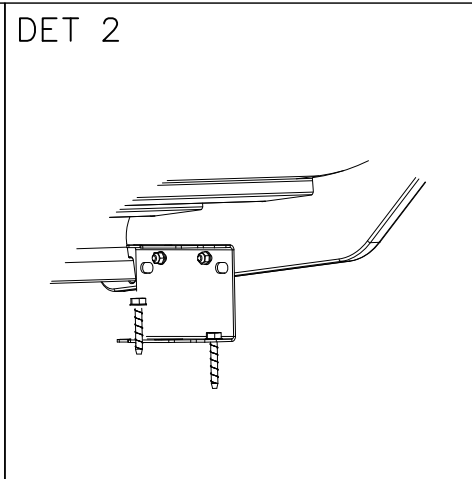
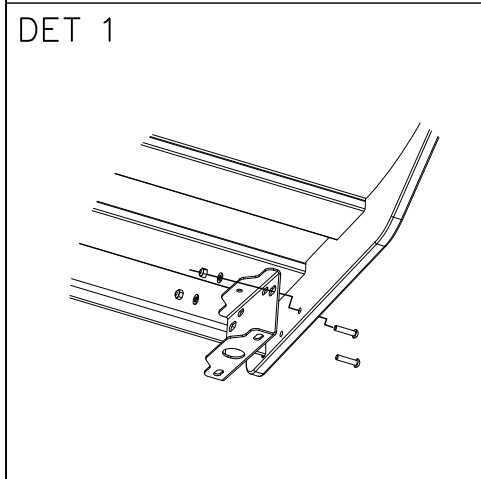
- Die Befestigung des Schildes erfolgt mittels der Schrauben.

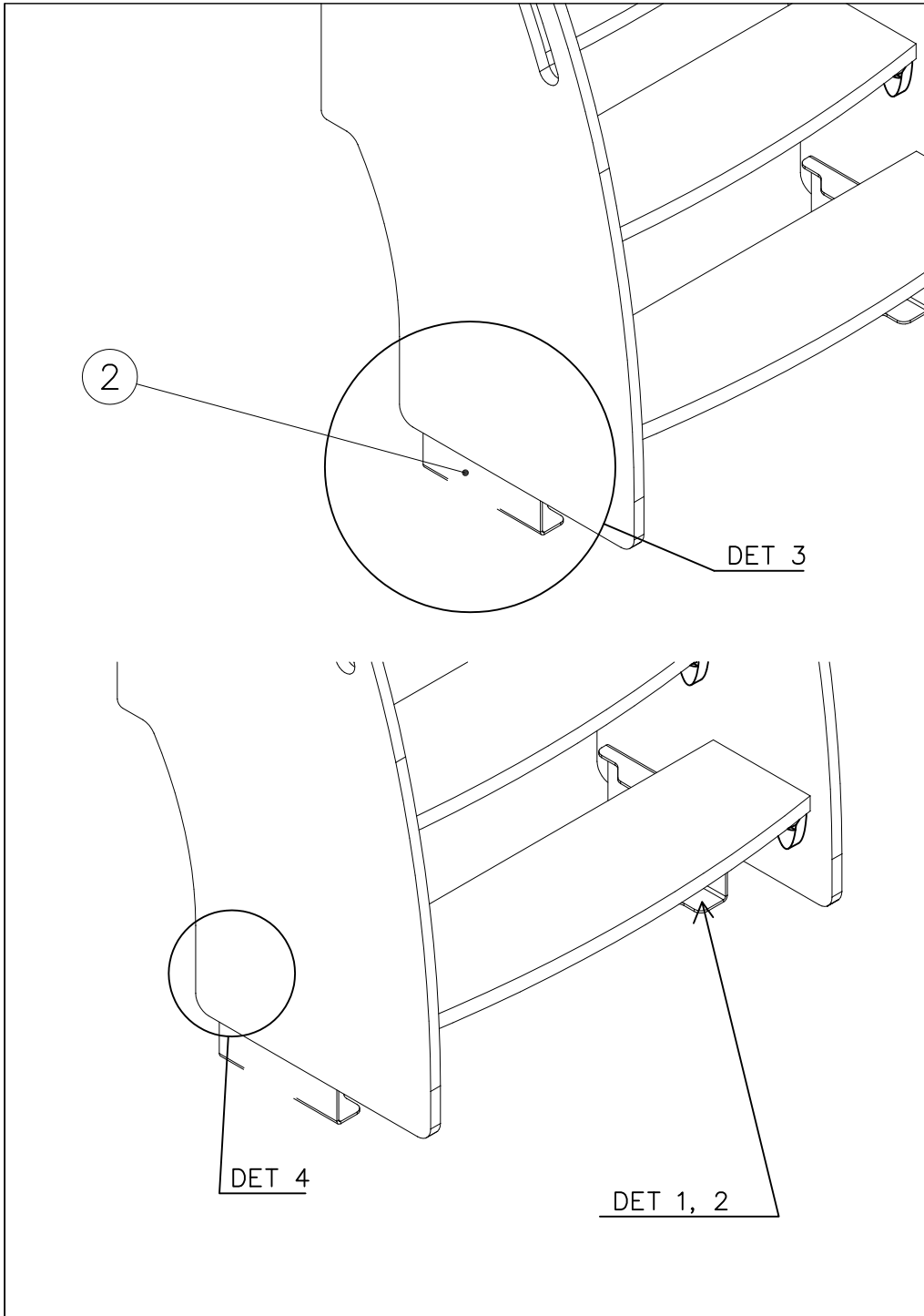
### 2) Aufkleber

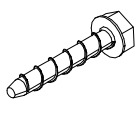
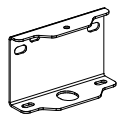
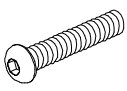



- Entfernen Sie zunächst Schmutz und Feuchtigkeit vom lackierten Metall bzw. von der Holzoberfläche und bringen Sie den Aufkleber wie im Bild oben rechts beschrieben auf den gesäuberten Untergrund auf.
- Beachten Sie: Bringen Sie den Aufkleber nicht auf raues laminiertes oder lackiertes Holz an.

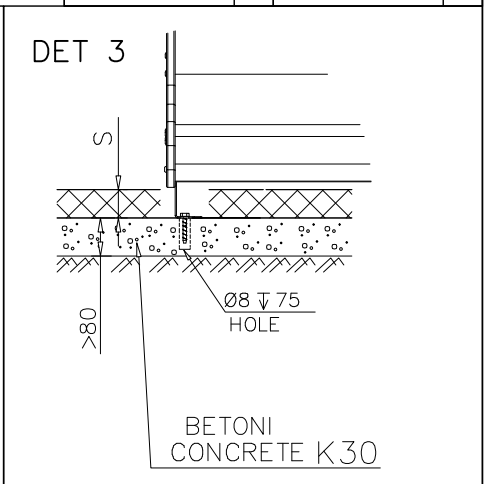
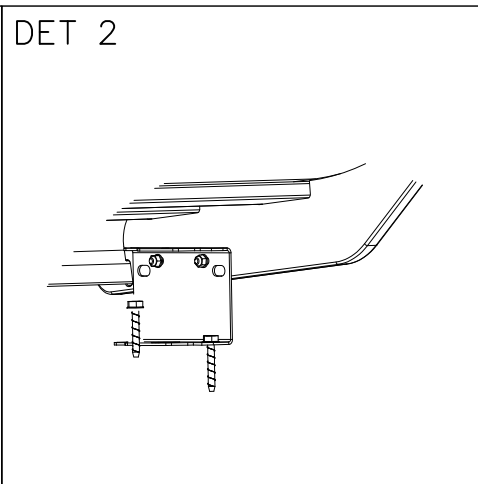
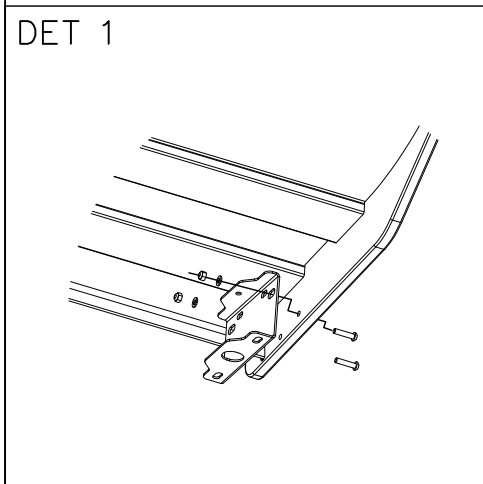


① 902532	PCS	② 908021	PCS
	4		2
Ø10x60			
③ 909855	PCS	④ 980160	PCS
	4		4
M8x35		M8	
⑤ 909256	PCS		PCS
	4		
Ø16/8.4			
	PCS		PCS
	PCS		PCS
	PCS		PCS





① 902532	PCS	② 908021	PCS
	4		2
Ø10x60			
③ 909855	PCS	④ 980160	PCS
	4		4
M8x35		M8	
⑤ 909256	PCS	⑥ 903533	PCS
	4		4
Ø16/8.4			
	PCS		PCS
	PCS		PCS
	PCS		PCS





DET 4

Plug the holes what  
you don't need

903533

