

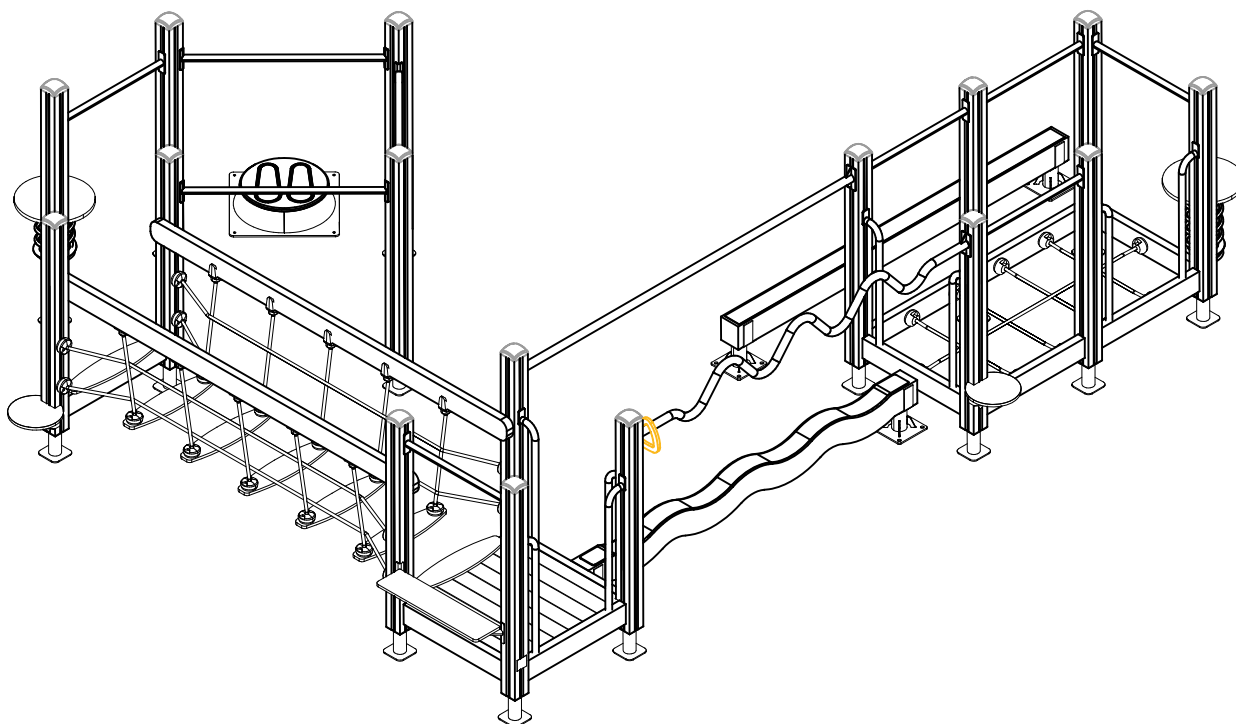
LAPPSET®

SENIOR



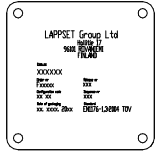
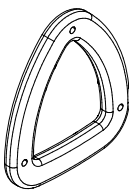
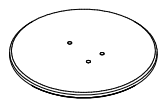
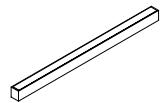
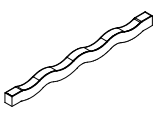
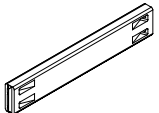
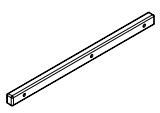
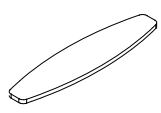
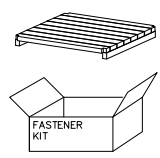
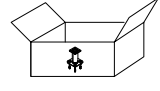
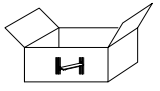
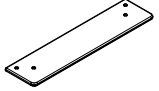
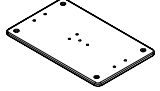
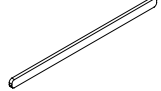
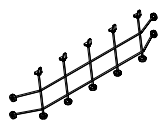
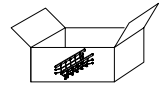
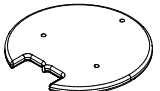
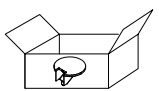
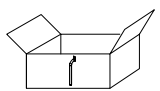
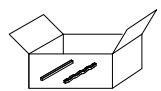
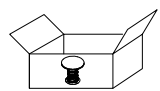
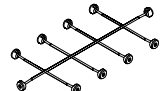
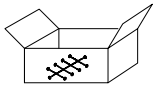
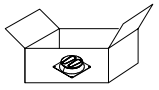
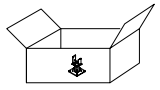
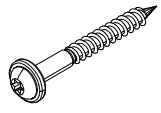
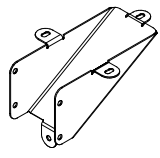
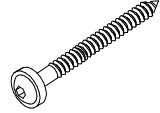
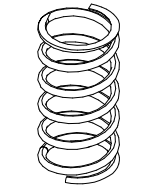
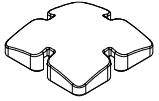
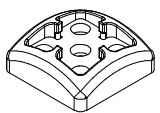
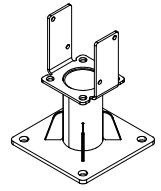
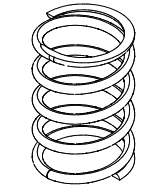
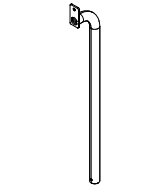
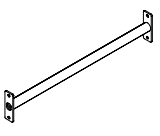
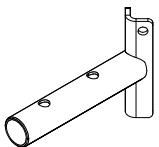
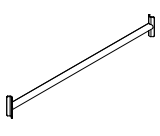
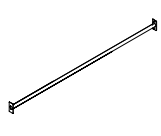
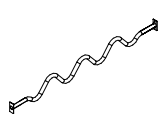
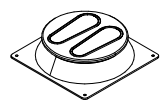
ASENNUSOHJE
MONTERINGSANSVISNING
INSTALLATION INSTRUCTION
AUFBAUANLEITUNG
NOTICE D'INSTALLATION

DATE: 28.7.2022

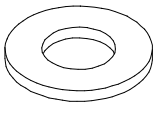
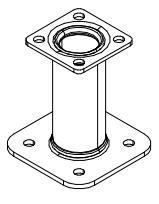
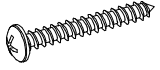
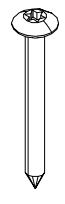
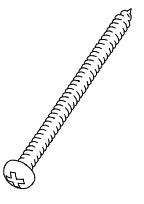
Q16555



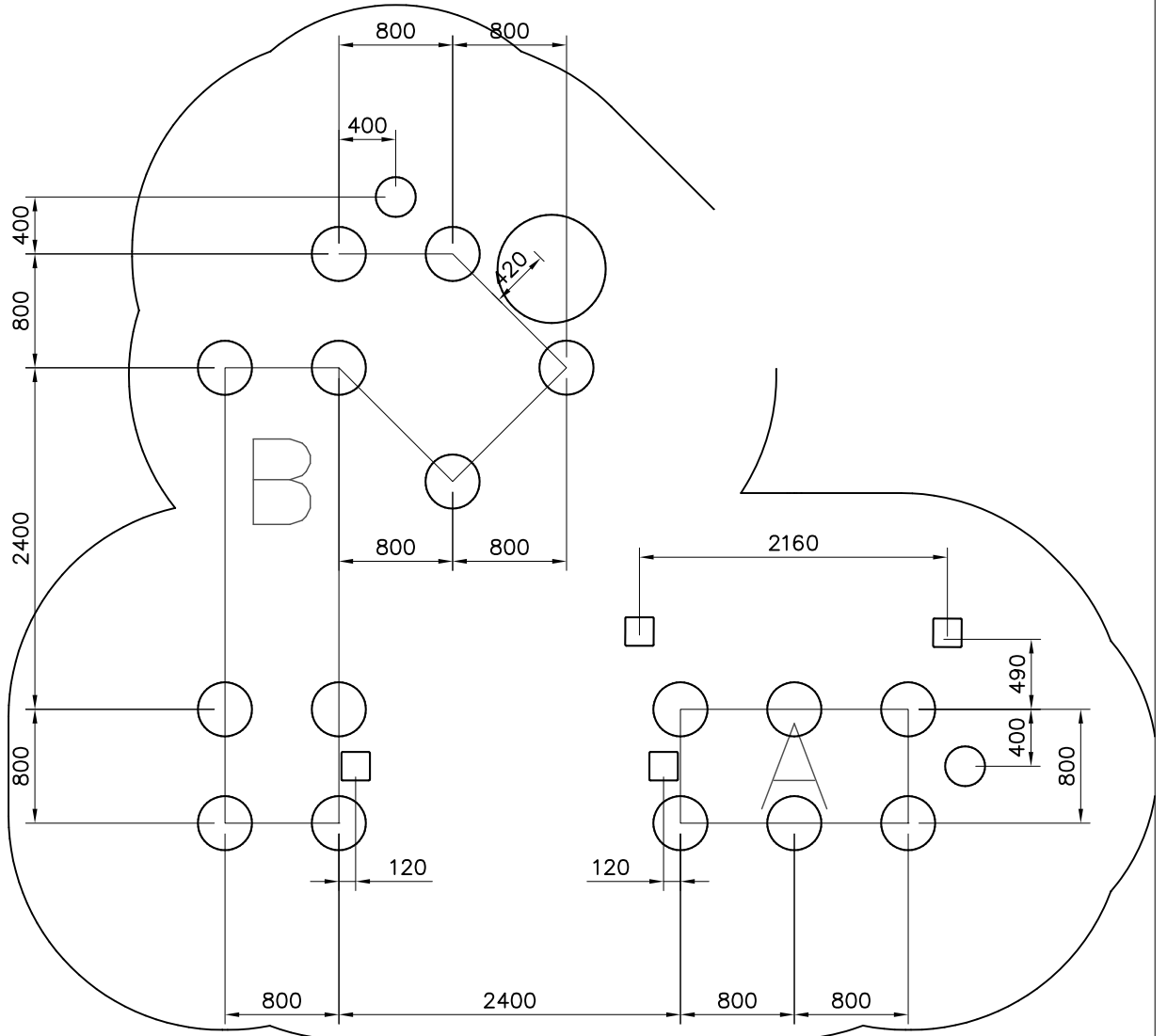
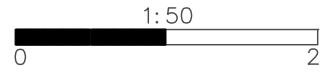
DATE: 28.7.2022

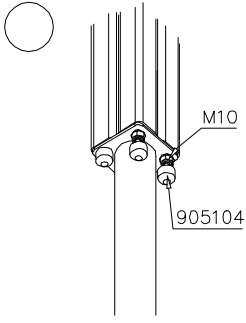
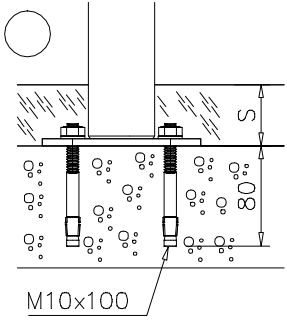
008986  750x750	PCS 1	701401-602  L 1250	PCS 16	702286  65x65	PCS 1	705369-702  705369-702	PCS 1	705432-704  19xØ400	PCS 2	705566-602  140x120x2294	PCS 1
705590-602  120x200x2294	PCS 1	706439-602  L 704	PCS 11	706443  32x45x702	PCS 2	706453  15x145x600	PCS 7	706535  FASTENER KIT	PCS 1	706551  FASTENER KIT	PCS 16
706753  FASTENER KIT	PCS 1	706783  15x170x700	PCS 1	706923  FASTENER KIT	PCS 2	707255-602  45x120x2480	PCS 2	707260-303  2375x600	PCS 2	707268  FASTENER KIT	PCS 1
707696-704  15x265x275	PCS 2	707729  FASTENER KIT	PCS 2	707732  FASTENER KIT	PCS 8	707785  FASTENER KIT	PCS 2	707886  FASTENER KIT	PCS 2	707893-303  755x1555	PCS 1
707894  FASTENER KIT	PCS 1	707896  FASTENER KIT	PCS 1	707899  FASTENER KIT	PCS 4	900240  Ø8x70	PCS 24	902086  148x172x254	PCS 2	903093  Ø8x90	PCS 44
903192  20x200x400	PCS 1	905138  GRAY	PCS 16	905196  GRAY	PCS 16	905780  120x120x150	PCS 4	906316  20x200x300	PCS 1	907688-217  FASTENER KIT	PCS 8
907694-217  L 704	PCS 6	907783-216  FASTENER KIT	PCS 2	907920-217  DIAG.	PCS 3	908253-217  2304x130x60	PCS 1	908255-217  2304x222x60	PCS 1	908476-205  SURFACE	PCS 1

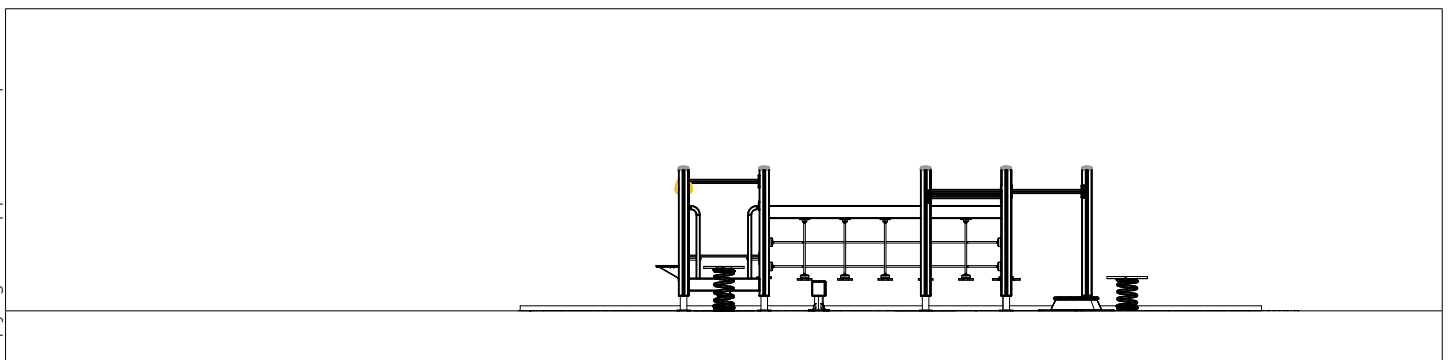
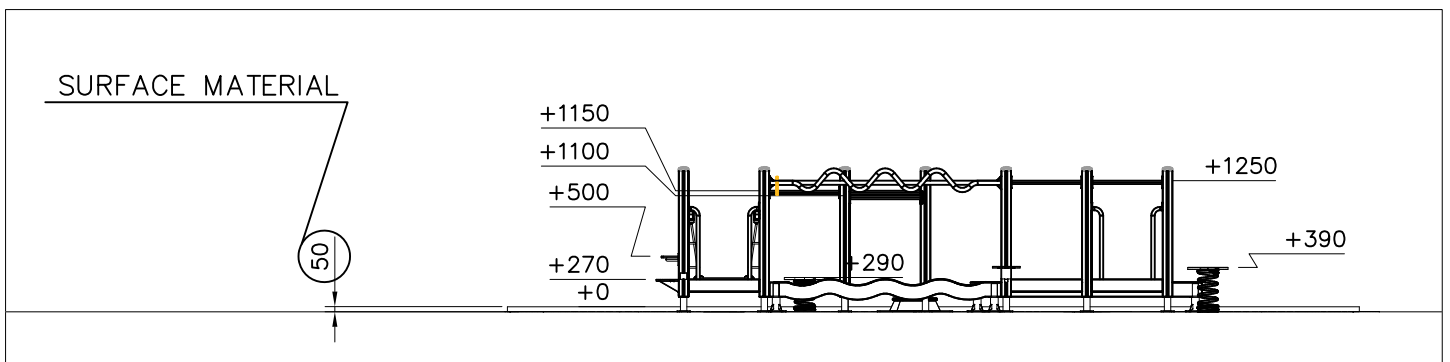
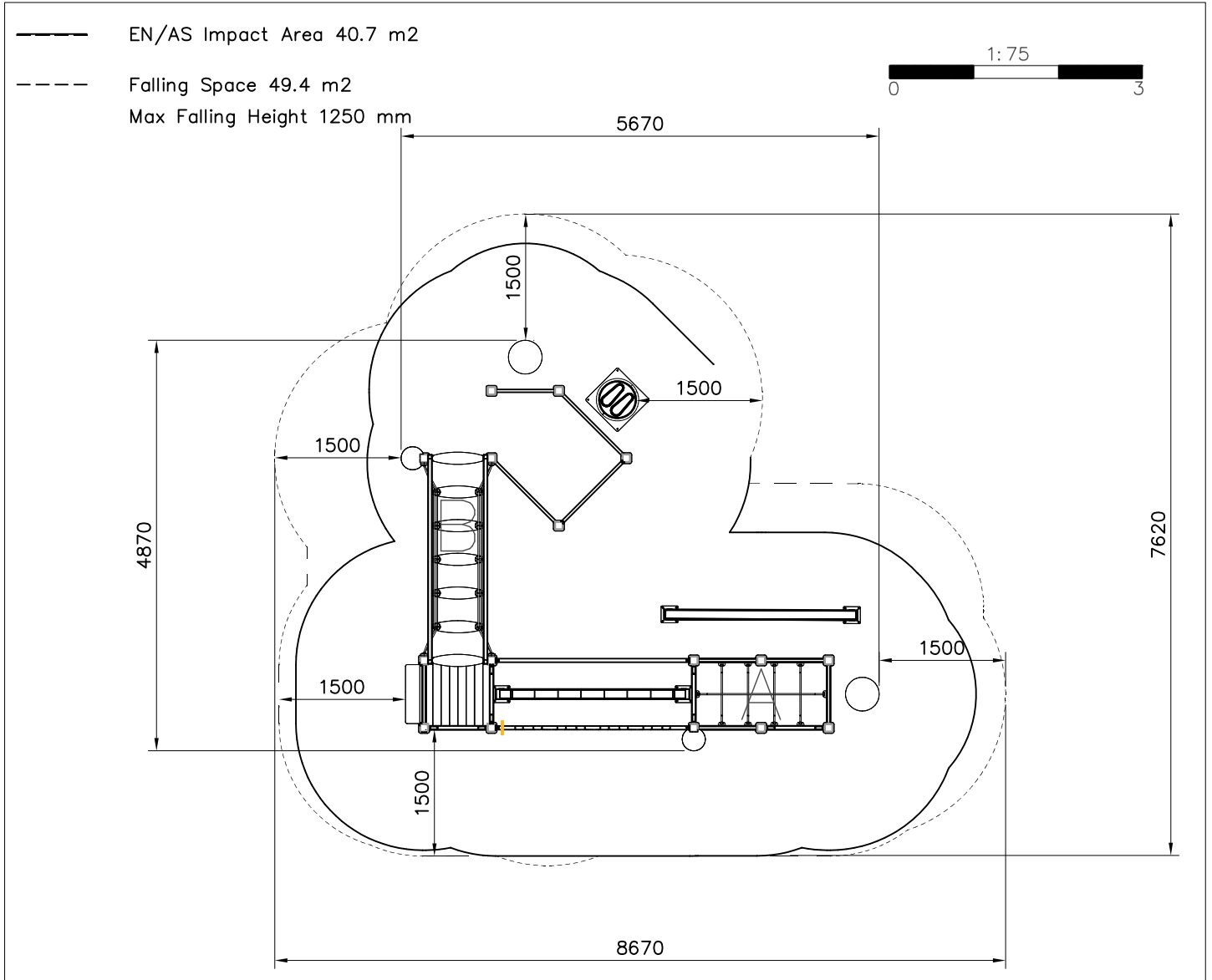
DATE: 28.7.2022

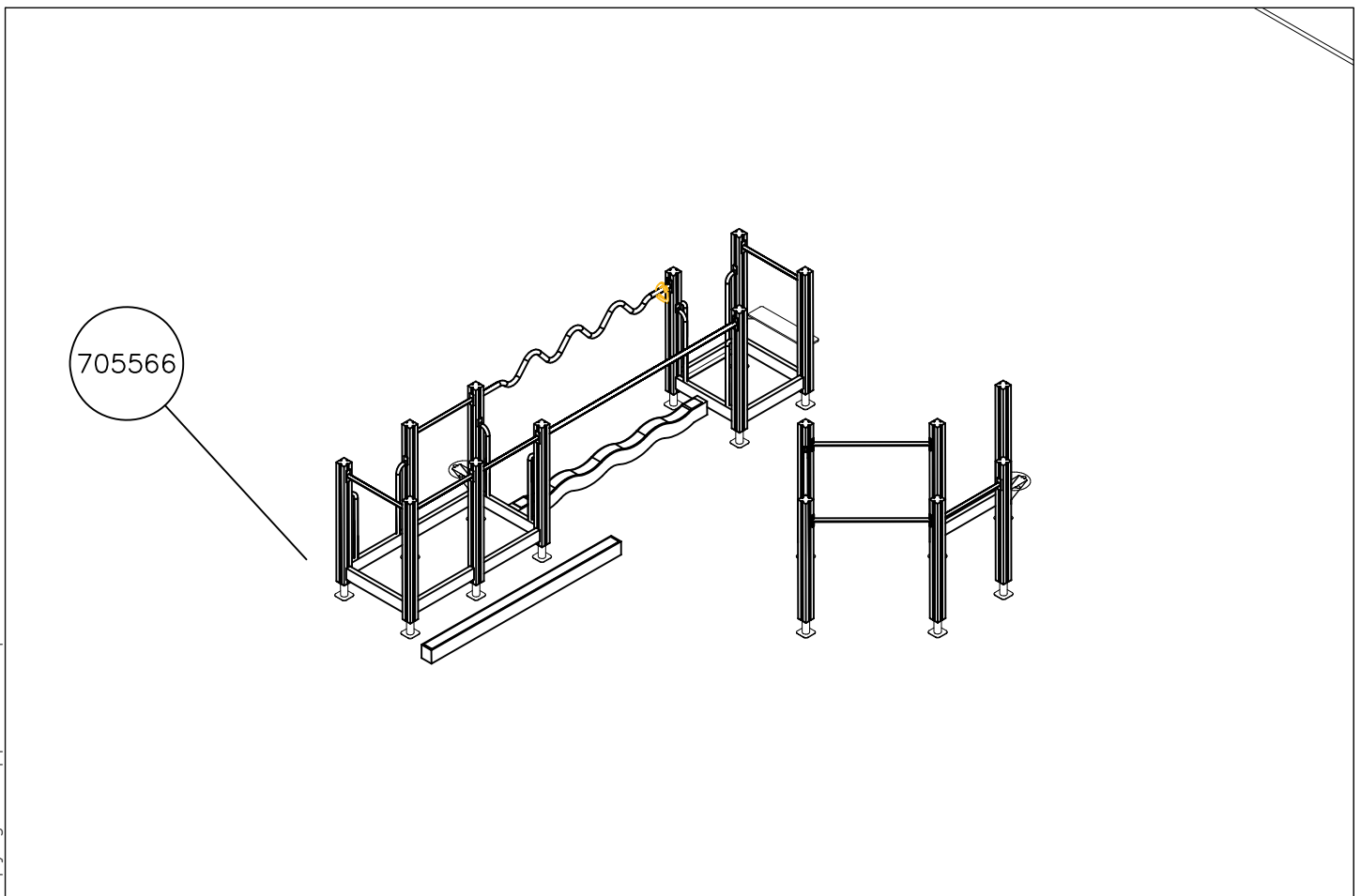
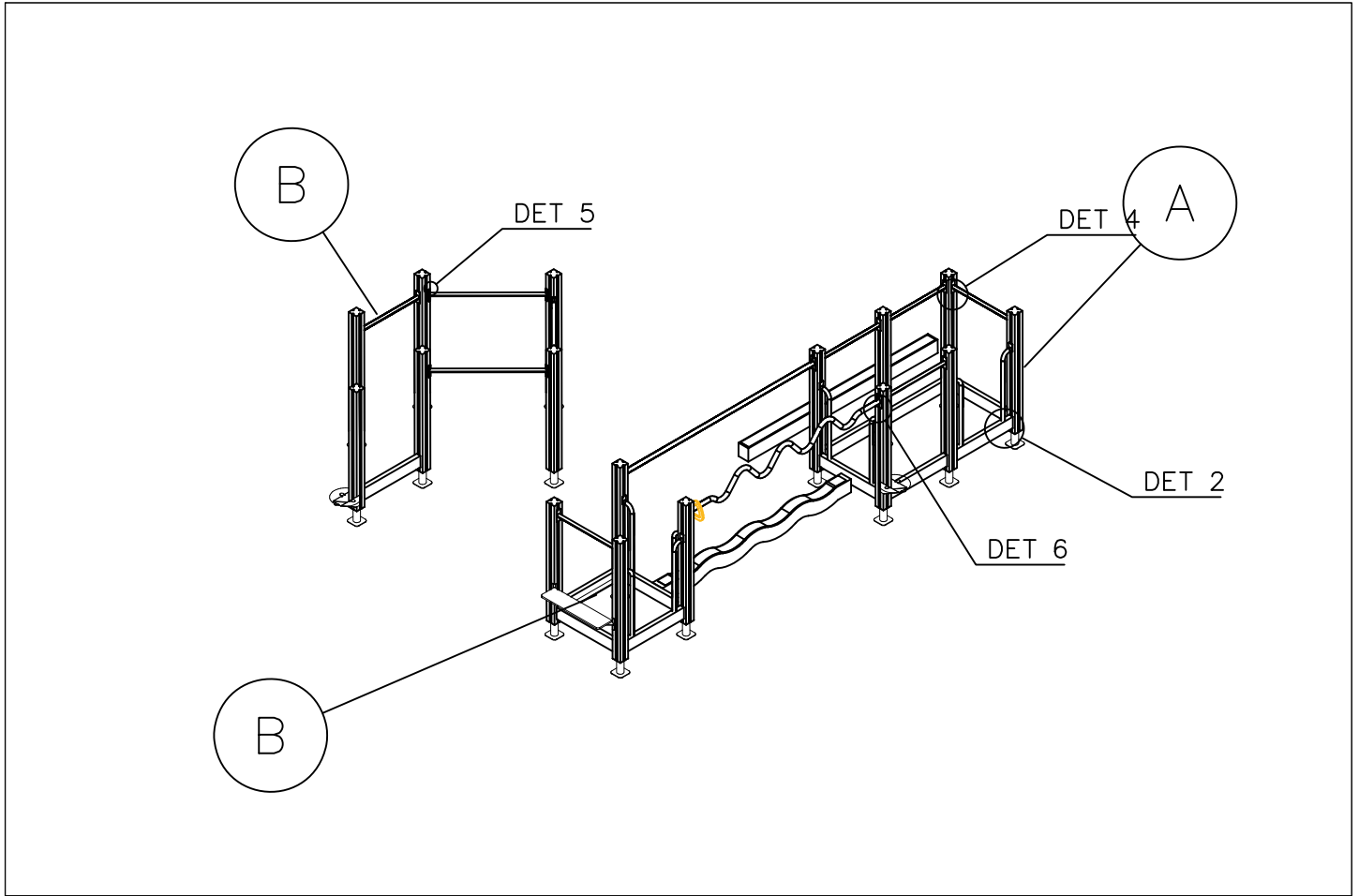
909256	PCS	909531	PCS	980114	PCS	980123	PCS	980131	PCS		PCS
	28		16		4		36		64		
Ø16/8.4x1.6		130x130x150		Ø4x20		Ø7x60		Ø6x60			
	PCS		PCS		PCS		PCS		PCS		PCS
	PCS		PCS		PCS		PCS		PCS		PCS
	PCS		PCS		PCS		PCS		PCS		PCS
	PCS		PCS		PCS		PCS		PCS		PCS
	PCS		PCS		PCS		PCS		PCS		PCS

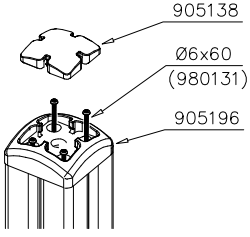
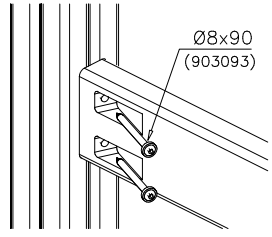
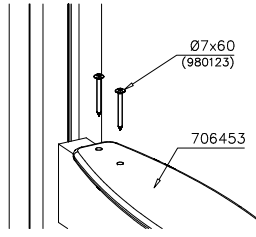
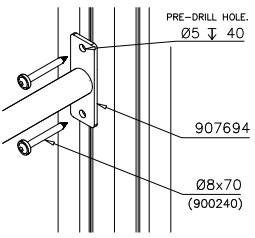
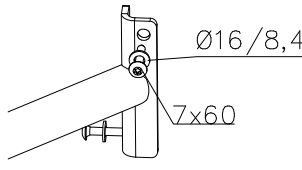
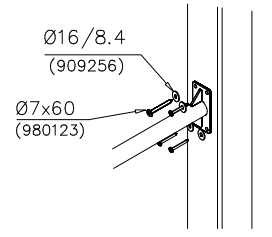
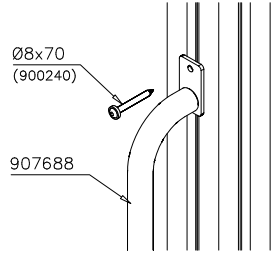
— EN/AS Impact Area 40.7 m²
 - - - - Falling Space 49.4 m²
 Grid size = 500 mm
 Max Falling Height 0000 mm

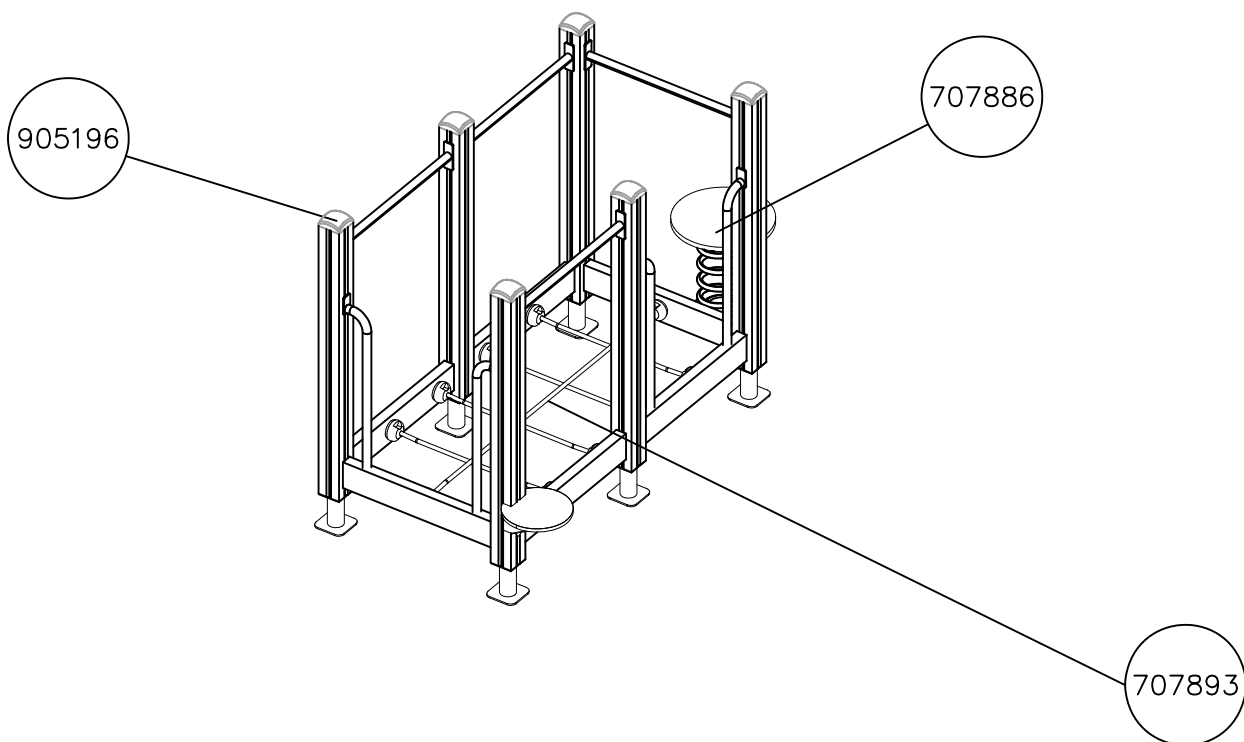
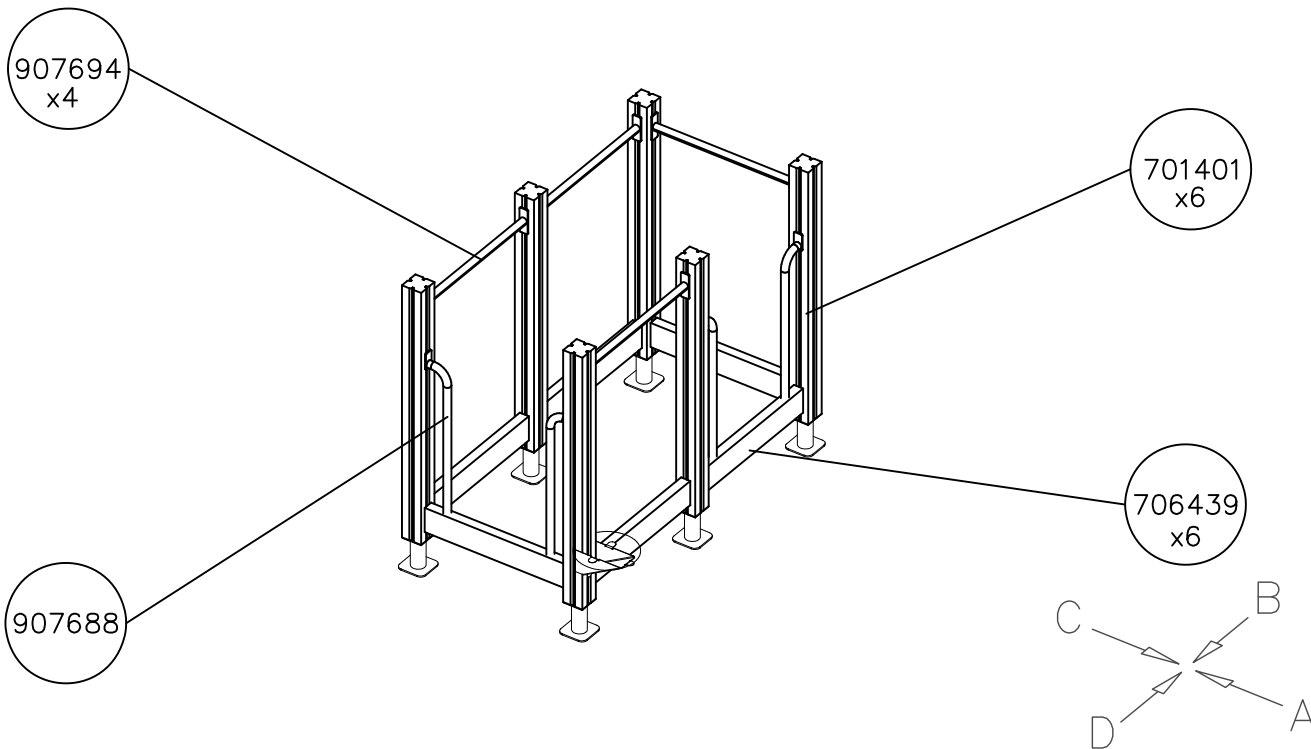


	 <p>M10x100</p>	





<p>DET 1</p>  <p>905138 Ø6x60 (980131) 905196</p>	<p>DET 2</p>  <p>Ø8x90 (903093)</p>	 <p>Ø7x60 (980123) 706453</p>	<p>DET 4</p>  <p>PRE-DRILL HOLE. Ø5 ↓ 40 907694 Ø8x70 (900240)</p>
<p>DET 5</p>  <p>Ø16/8,4 7x60</p>	<p>DET 6</p>  <p>Ø16/8.4 (909256) Ø7x60 (980123)</p>	 <p>Ø8x70 (900240) 907688</p>	

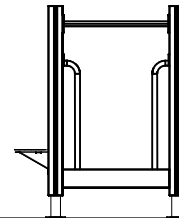
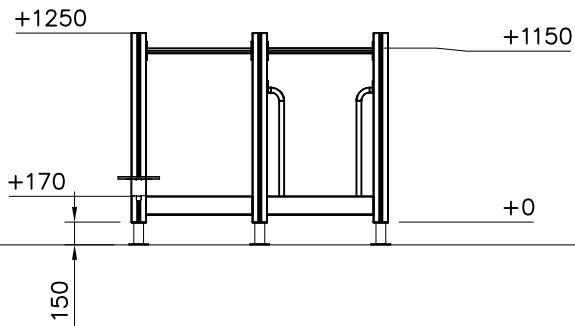


DATE: 28.7.2022

1:50

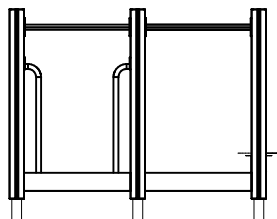
A

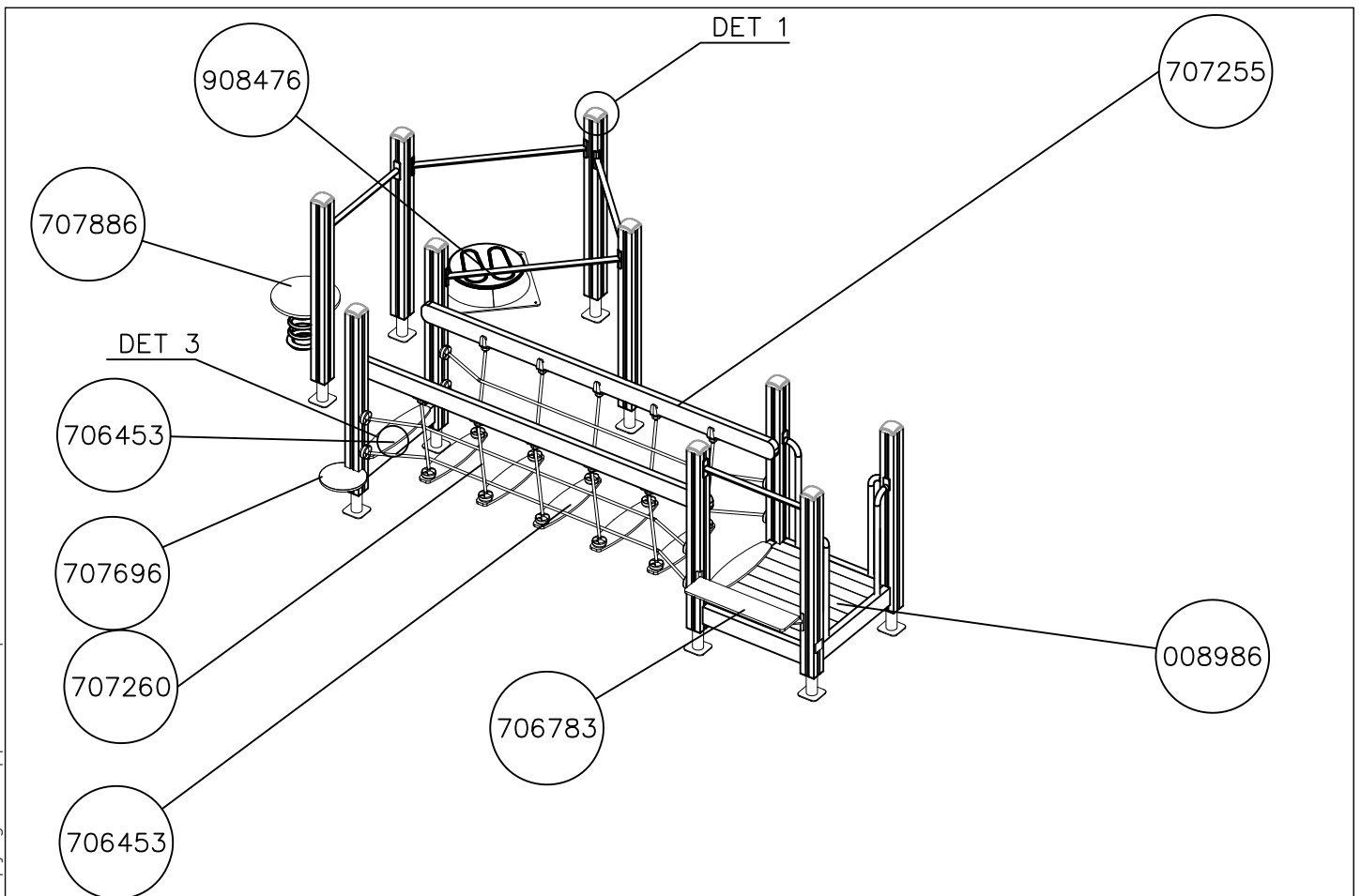
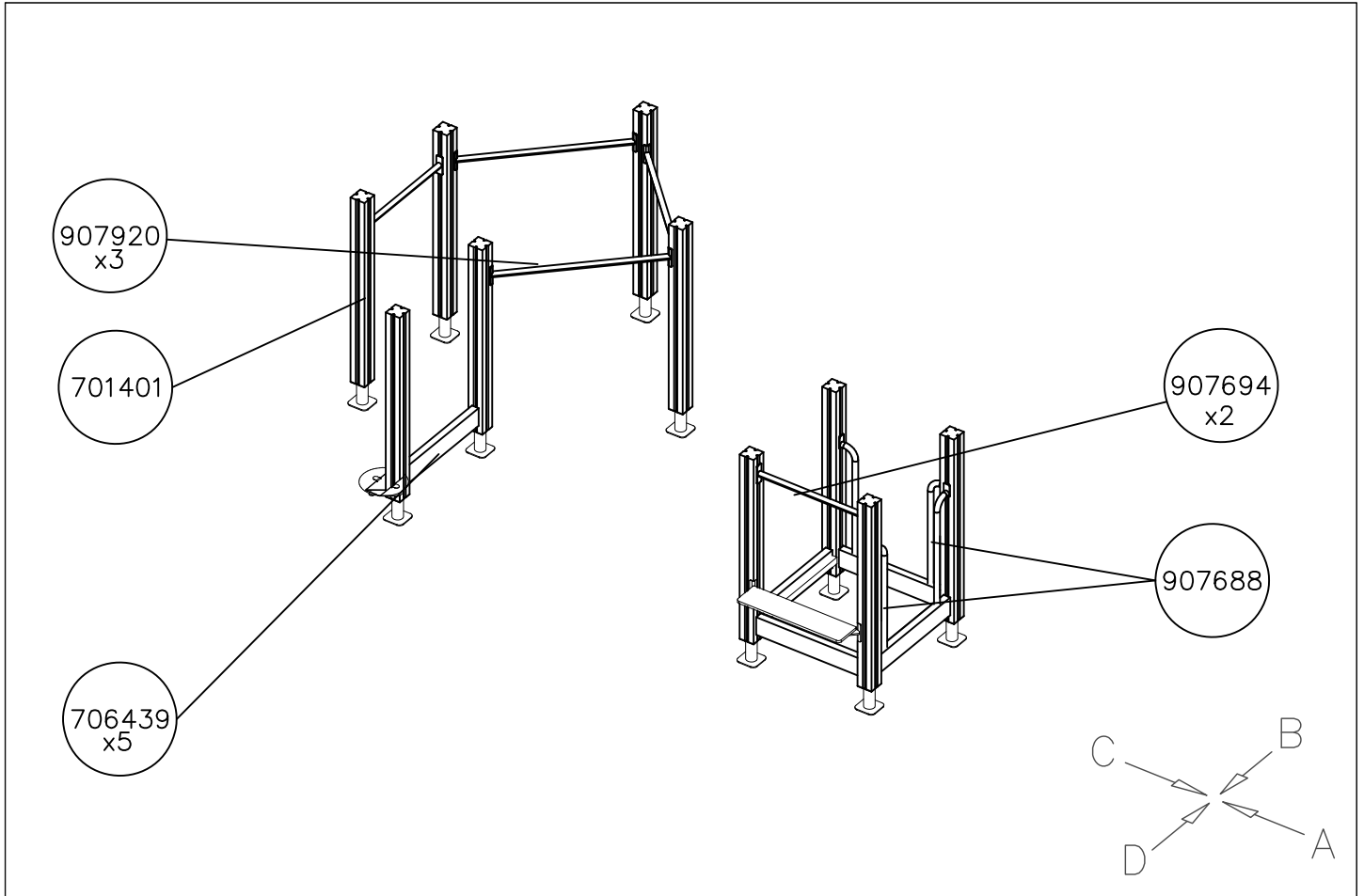
B



C

D



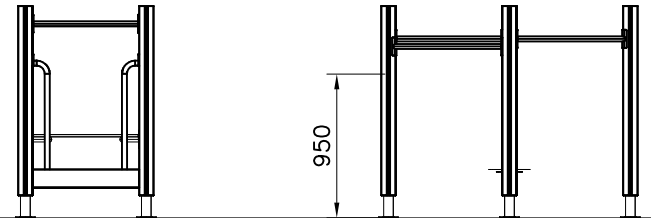
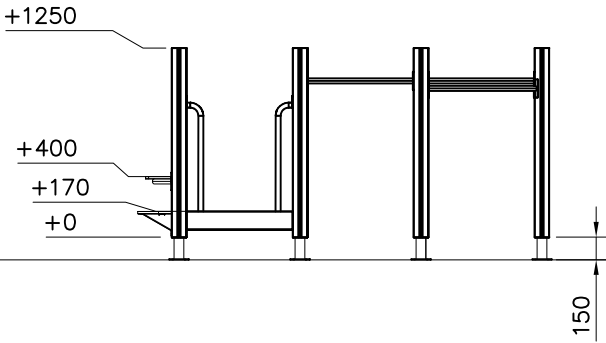


DATE: 28.7.2022

1:50

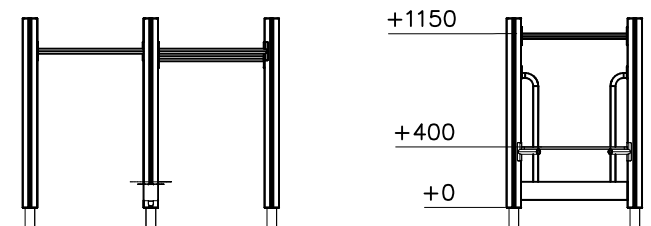
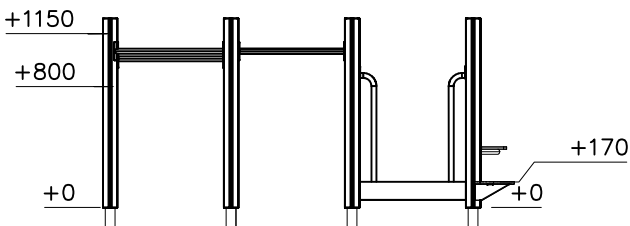
A

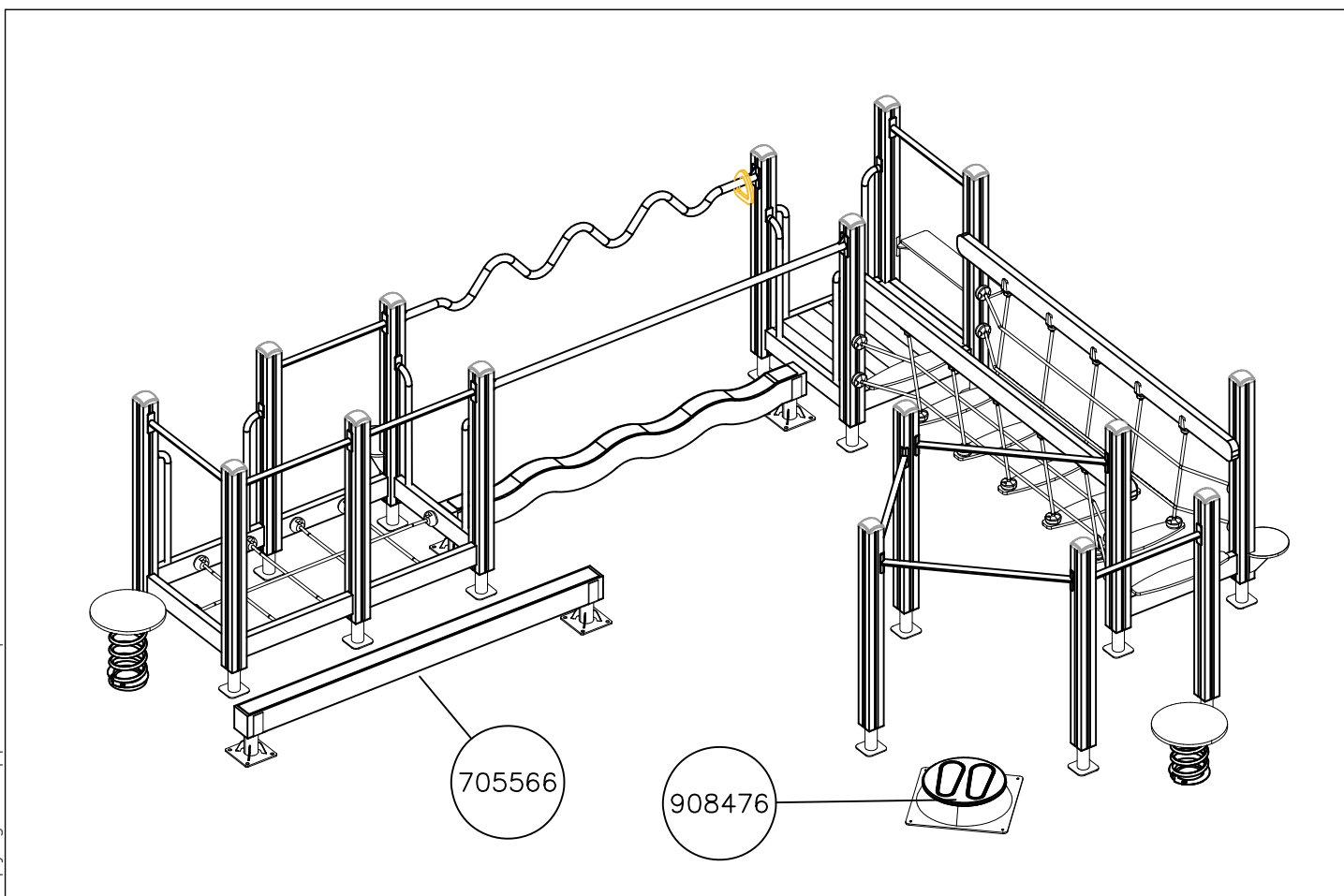
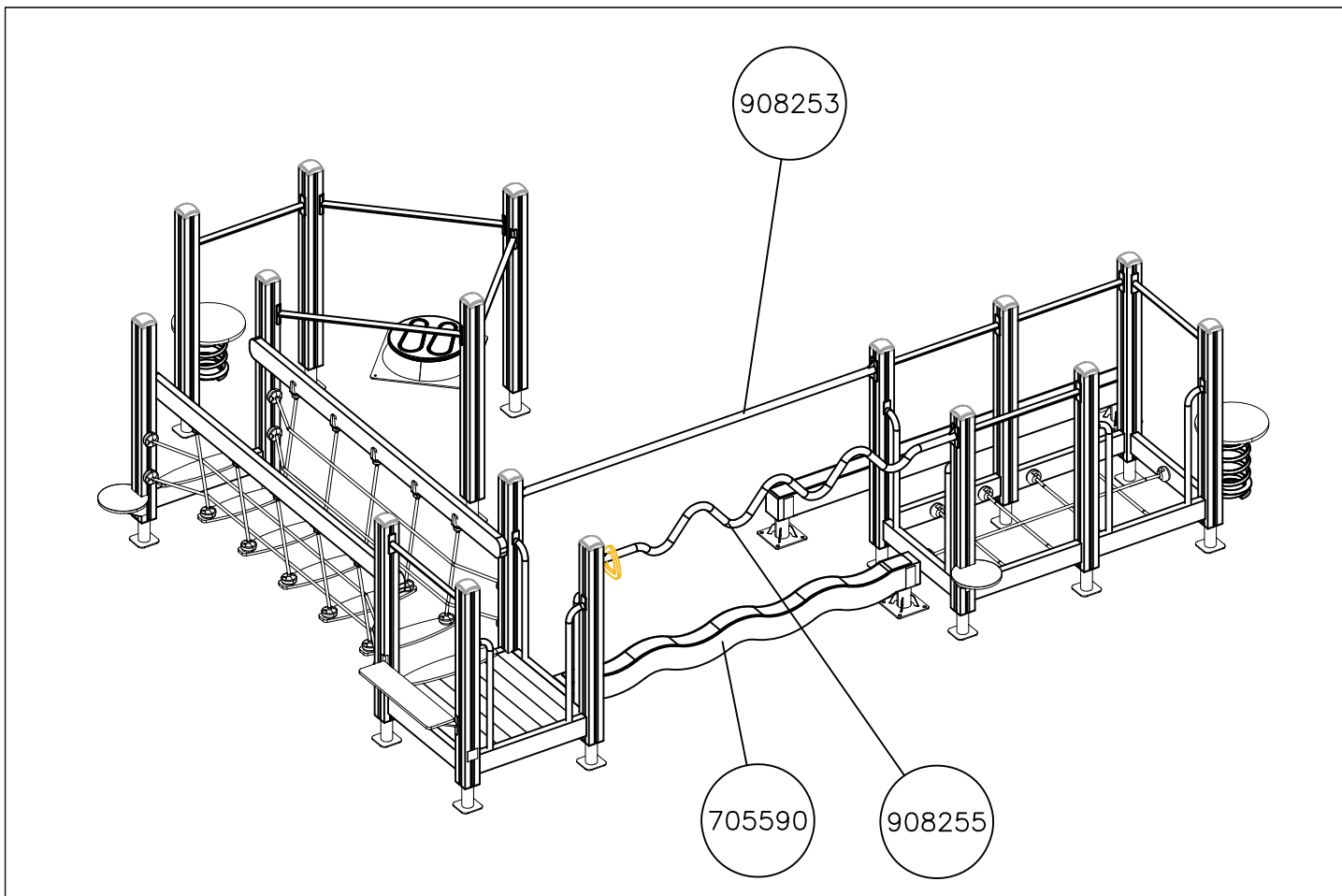
B

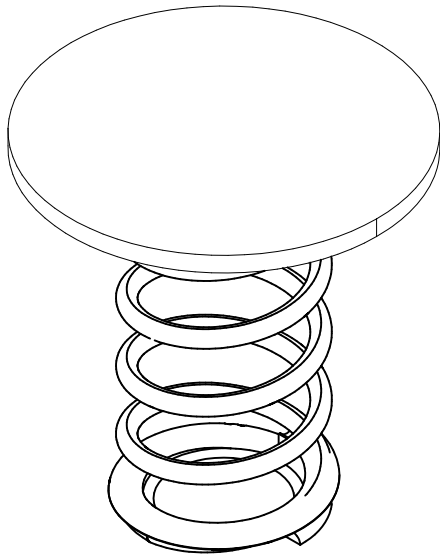


C

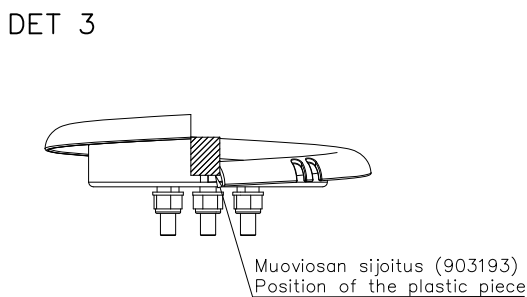
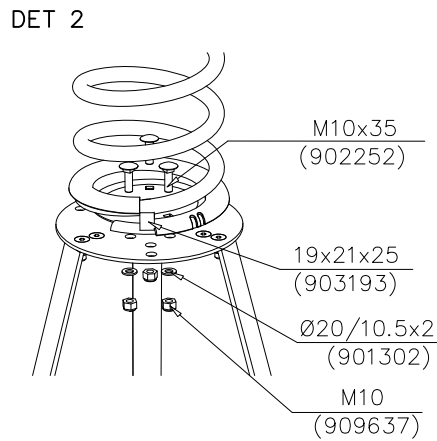
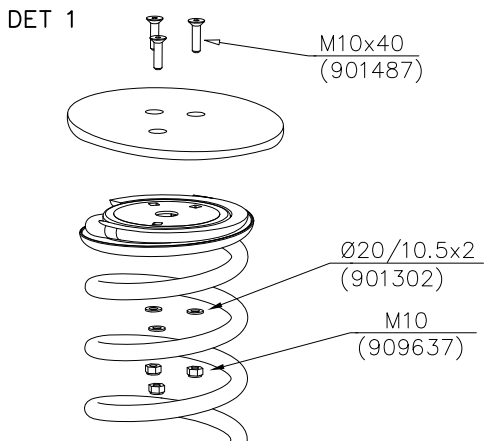
D

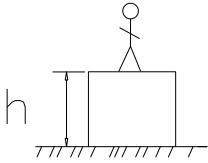



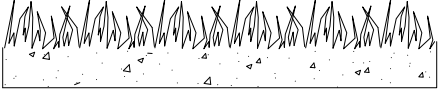
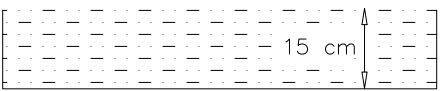
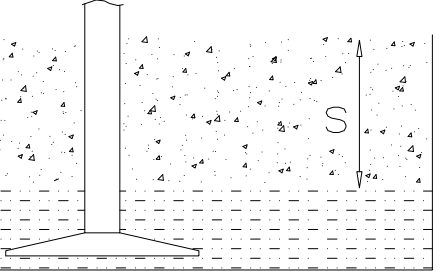
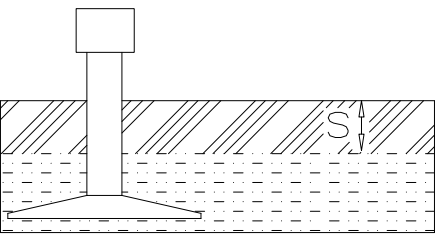




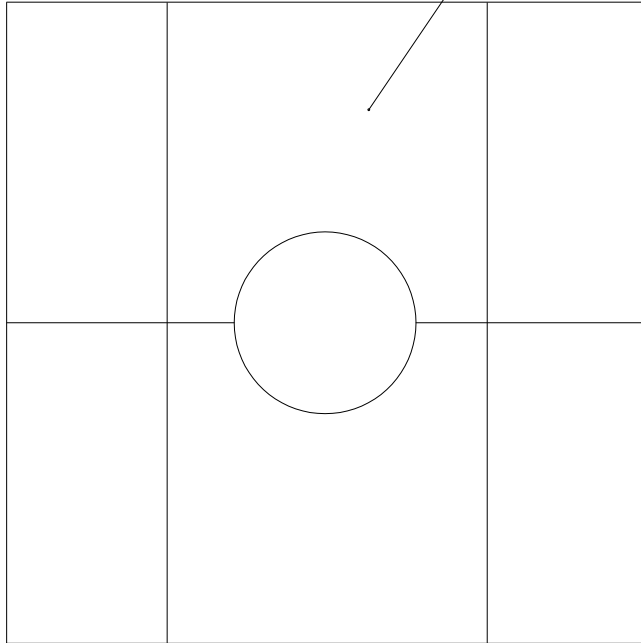


① 903191	PCS	② 901487	PCS
	2		3
		M10x40	
	PCS		PCS
	PCS		PCS
	PCS		PCS
	PCS		PCS
	PCS		PCS
	PCS		PCS
	PCS		PCS
	PCS		PCS
	PCS		PCS



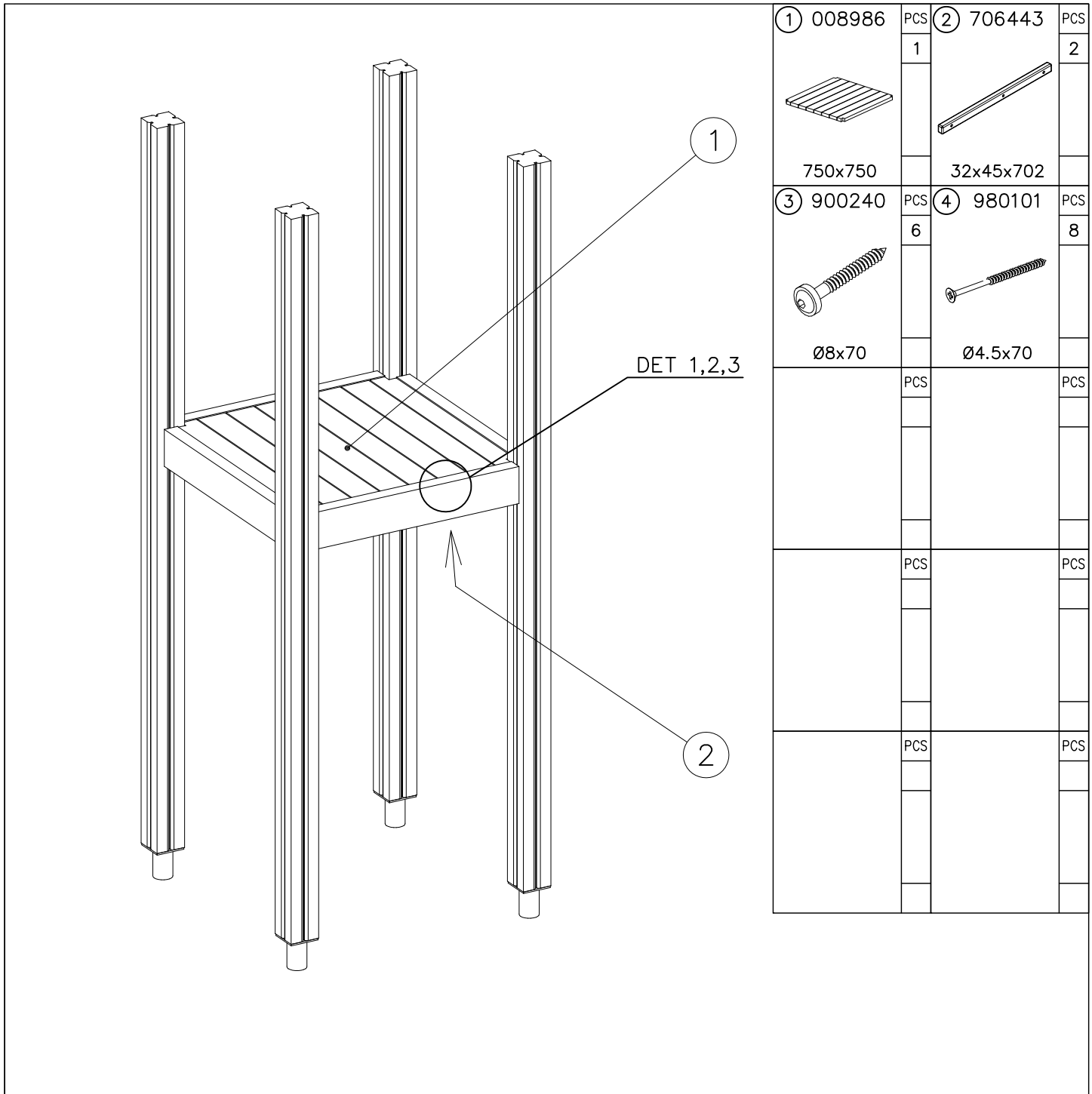
		
<p>$h < 600$</p> <p>Without movement and therefore without Impact Area</p>	<p>Totally hard surfaces.</p> <p>Note. Lappset does <u>not recommend</u> totally hard surfaces at all.</p>	<p>E.g. concrete or asphalt</p> 
<p>$h < 600$</p> <p>With movement e.g. rocking</p>	<p>Materials with very limited impact attenuating properties.</p>	<p>E.g. wood</p> 
<p>$h < 1000$</p>	<p>Materials with significant impact attenuating properties.</p>	<p>fine gravel 0–8 mm</p>  <p>grass</p>  <p>unsorted sand</p> 
<p>$h < 3000$</p>	<p>Loose fill material</p> <p>E.g. sand/gravel 0,25...8 mm D60/D10<3,0 Woodchips 5...30 mm bark 20...80 mm</p>	 <p>\underline{S} \underline{h}</p> <p>30 cm < 2,0 m</p> <p>40 cm < 3,0 m</p>
	<p>Syntethic granulates</p> <p>\underline{S} \underline{h}</p> <p>40 mm ~> 1,2...1,3 m</p> <p>50 mm ~> 1,5...1,7 m</p> <p>60 mm ~> 1,8...2,0 m</p> <p>70 mm ~> 2,1...2,5 m</p> <p>Note. For accurate values, see manufacturer's instructions.</p>	

REMOVE SAFETY SURFACE/SAND/GRAVEL
TO CHECK FOUNDATION

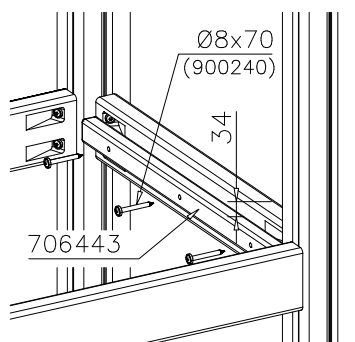


REMOVE SAFETY SURFACE/SAND/GRAVEL
TO CHECK FOUNDATION



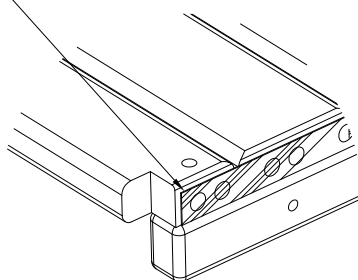


DET 1

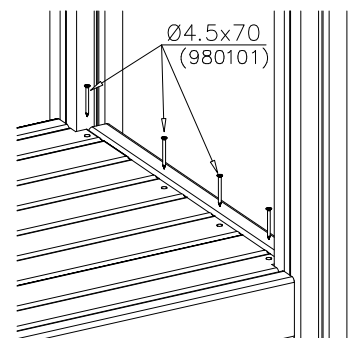


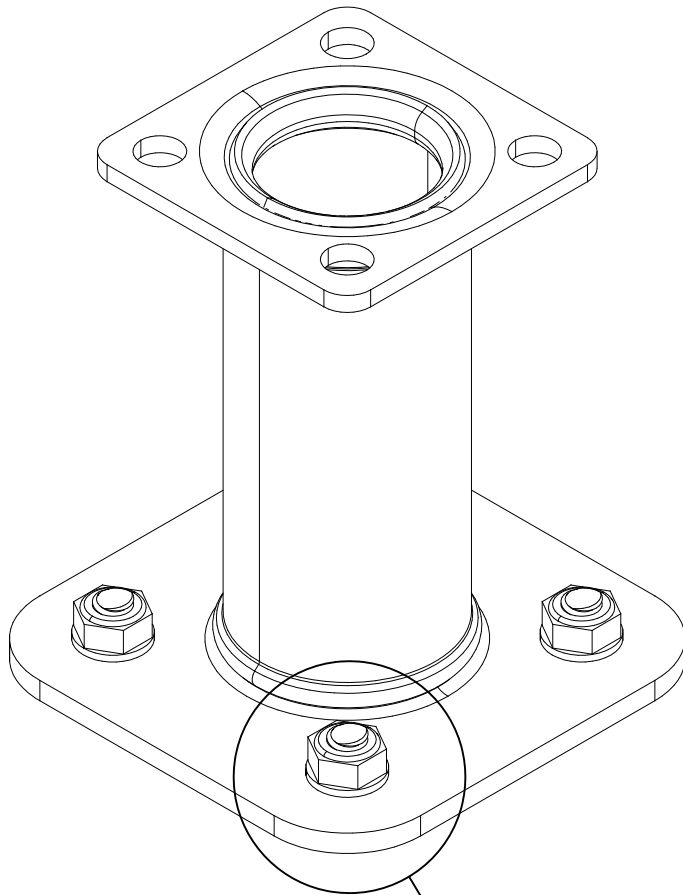
DET 2

Naulanauha kannatinlistan puolelle.
Nail list to the bottom.



DET 3

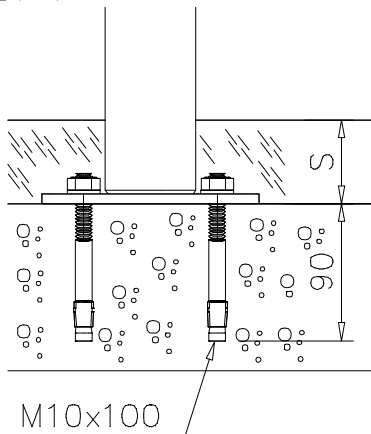




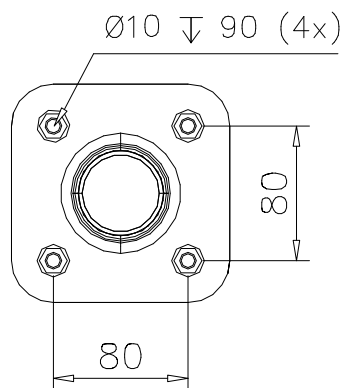
DET 1, 2, 3

① 909531	PCS	① 909513	PCS
	1		1
		60°	
① 909514	PCS	① 902056	PCS
	1		1
		75°	57°
① 902062	PCS		PCS
	1		
		70°	
	PCS		PCS
	PCS		PCS
② 909628	PCS		PCS
	4		
M10x100			

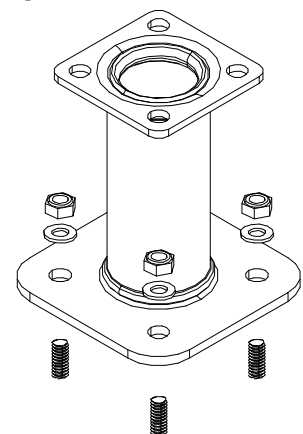
DET 1



DET 2



DET 3



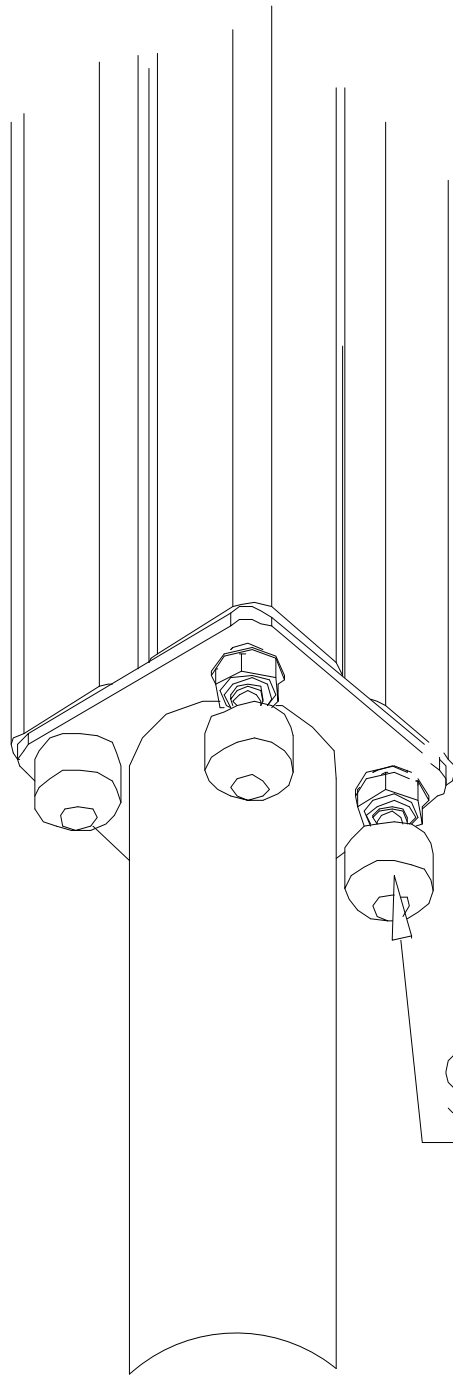
LAPPSET®
BETON FOUNDATION

FOOT

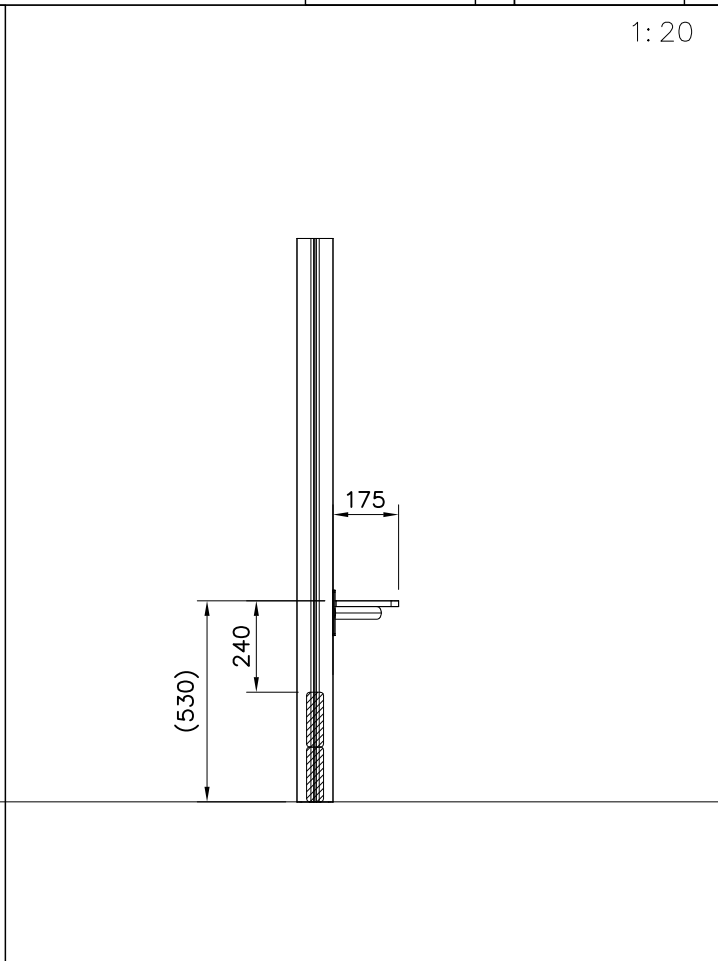
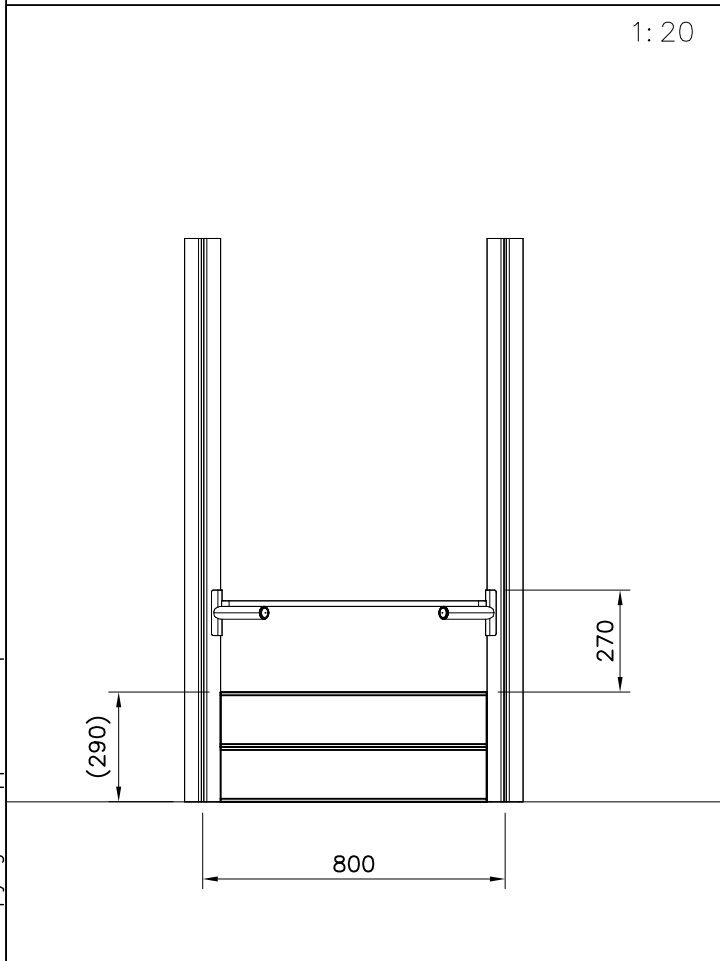
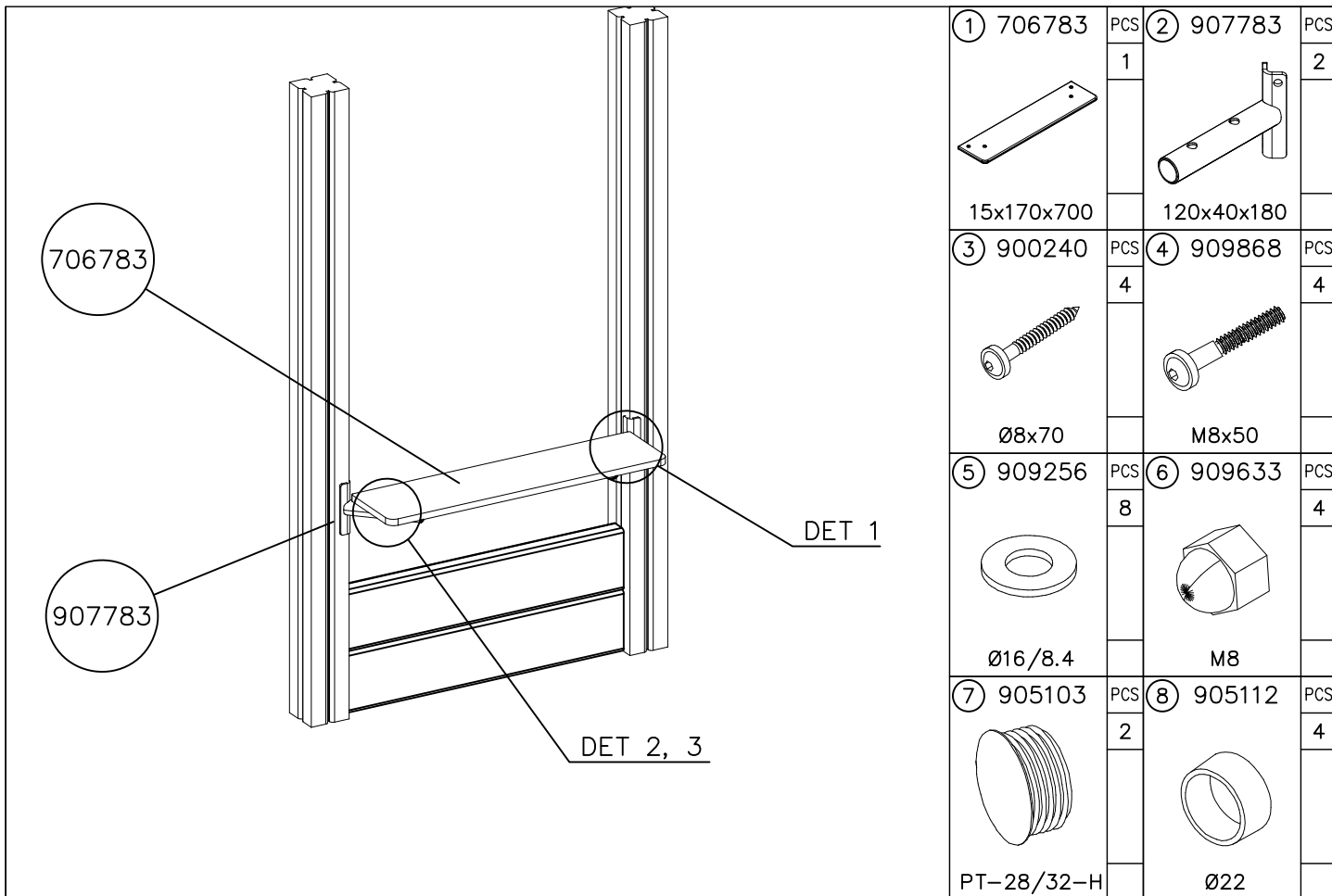
DATE: 27.10.2015

1(1)

② 905104	PCS		PCS
	4		
 M10	PCS		PCS



905104



DET 1

Pre-drill hole
 Esireikä

Ø5 ↓ 50

907783

Ø16/8.4

(909256)

Ø8x70

(900240)

DET 2

907783

905103

DET 3

905112

M8x50

(909868)

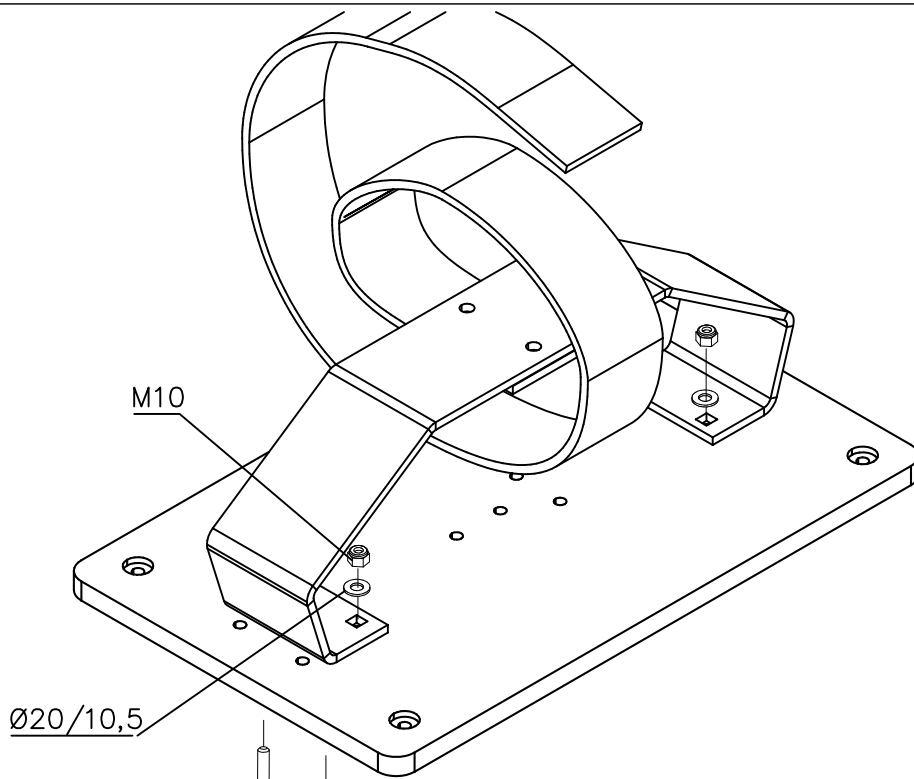
706783

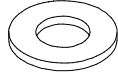
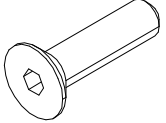



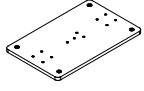
Ø16/8.4

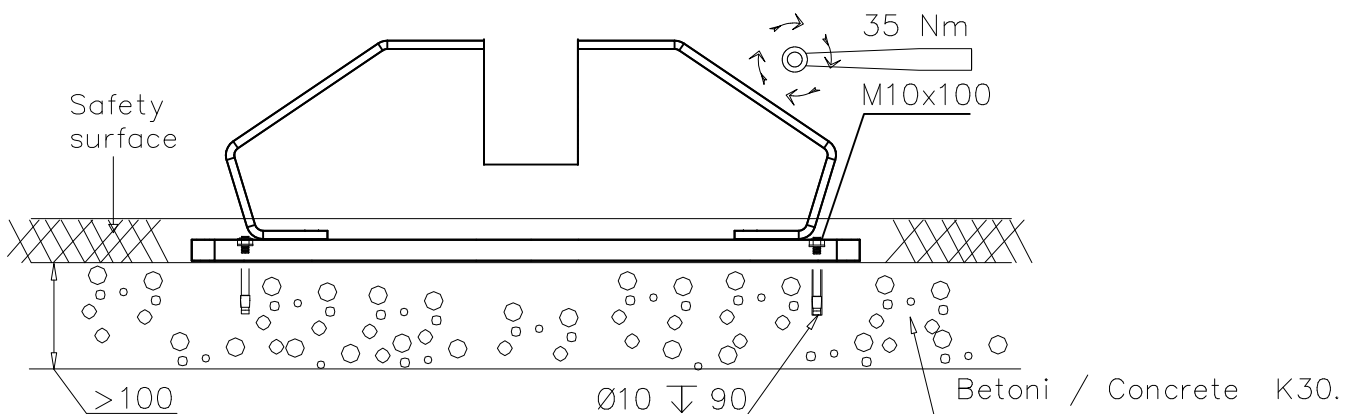
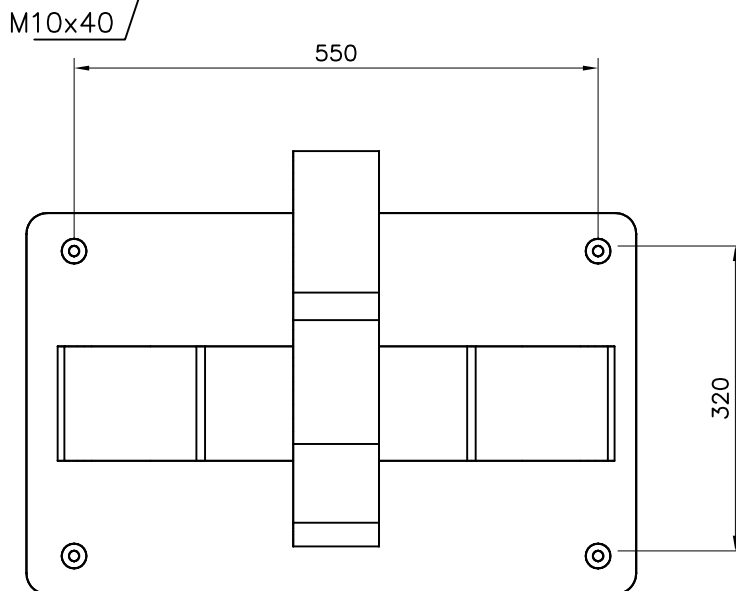
(909256)

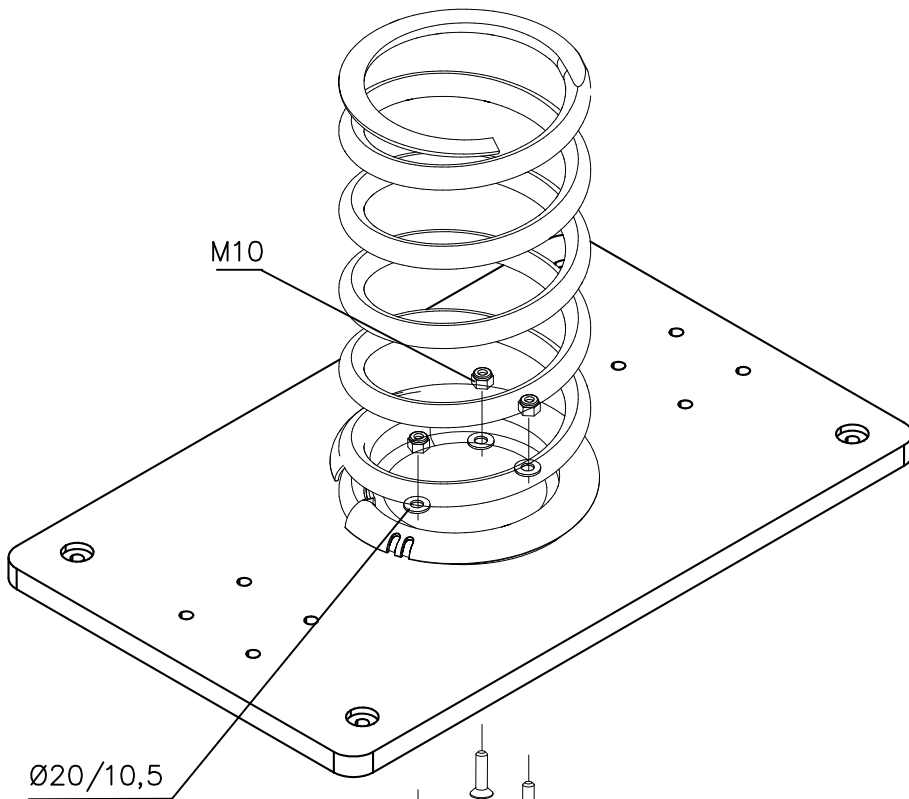
M8

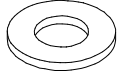
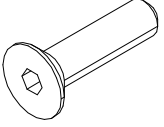



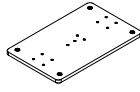
(909633)



①	901302	PCS	②	901487	PCS
		4			4
	Ø20/10,5			M10x40	
③	909628	PCS	④	980161	PCS
		4			4
				M10	
	M10x100				
⑤	707750	PCS			PCS
		1			
	20x400x640				



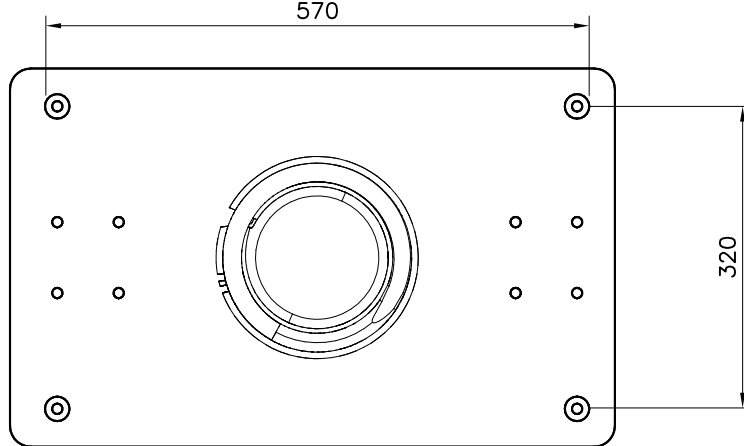


①	901302	PCS	②	901487	PCS
		3			3
	Ø20/10,5		M10x40		
③	909628	PCS	④	980161	PCS
		4			3
			M10		
	M10x100				
⑤	707750	PCS			PCS
		1			
	20x400x640				

M10x40

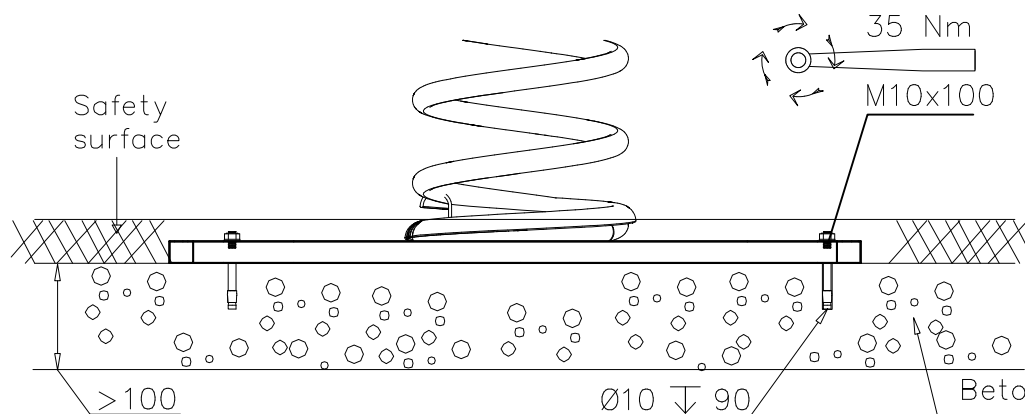
570

320



35 Nm

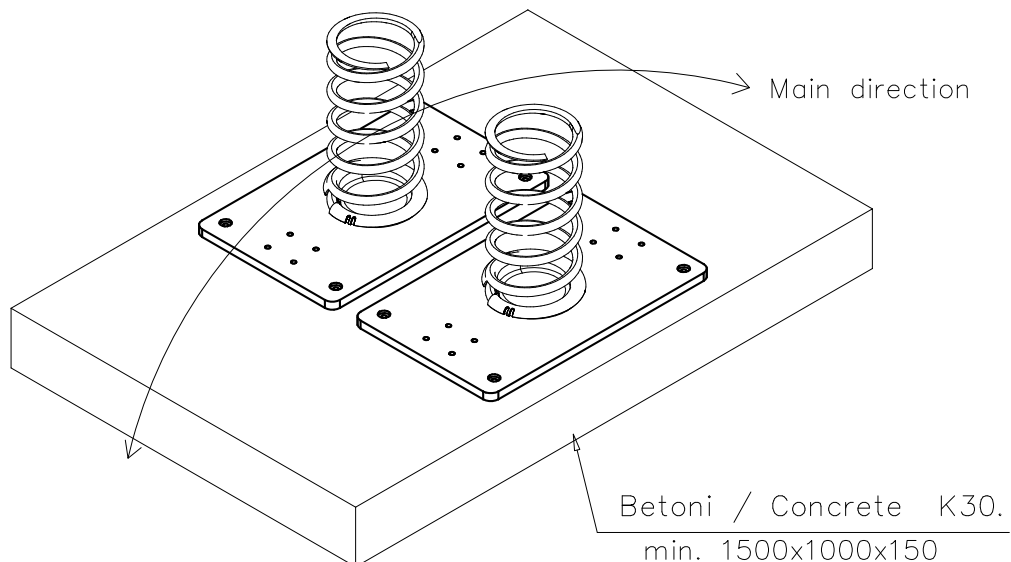
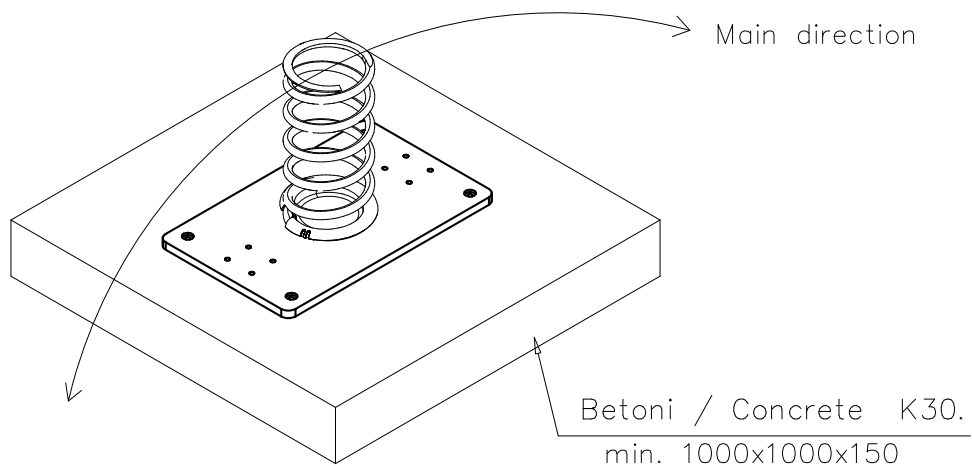
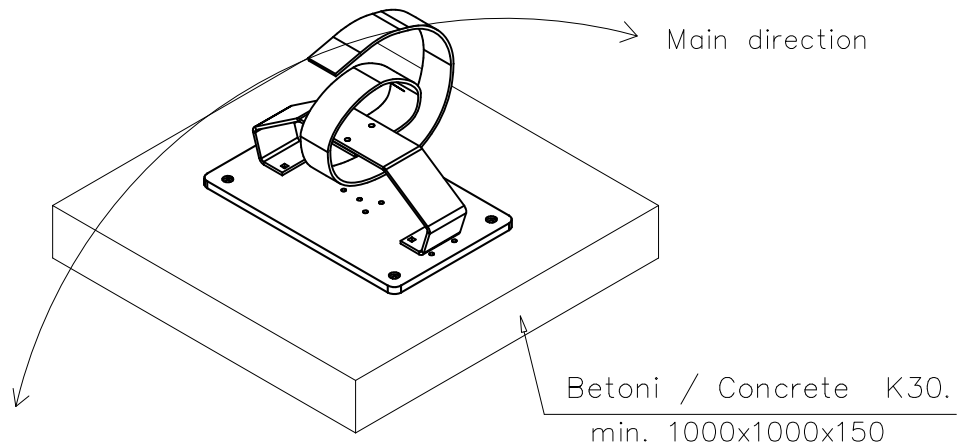
M10x100

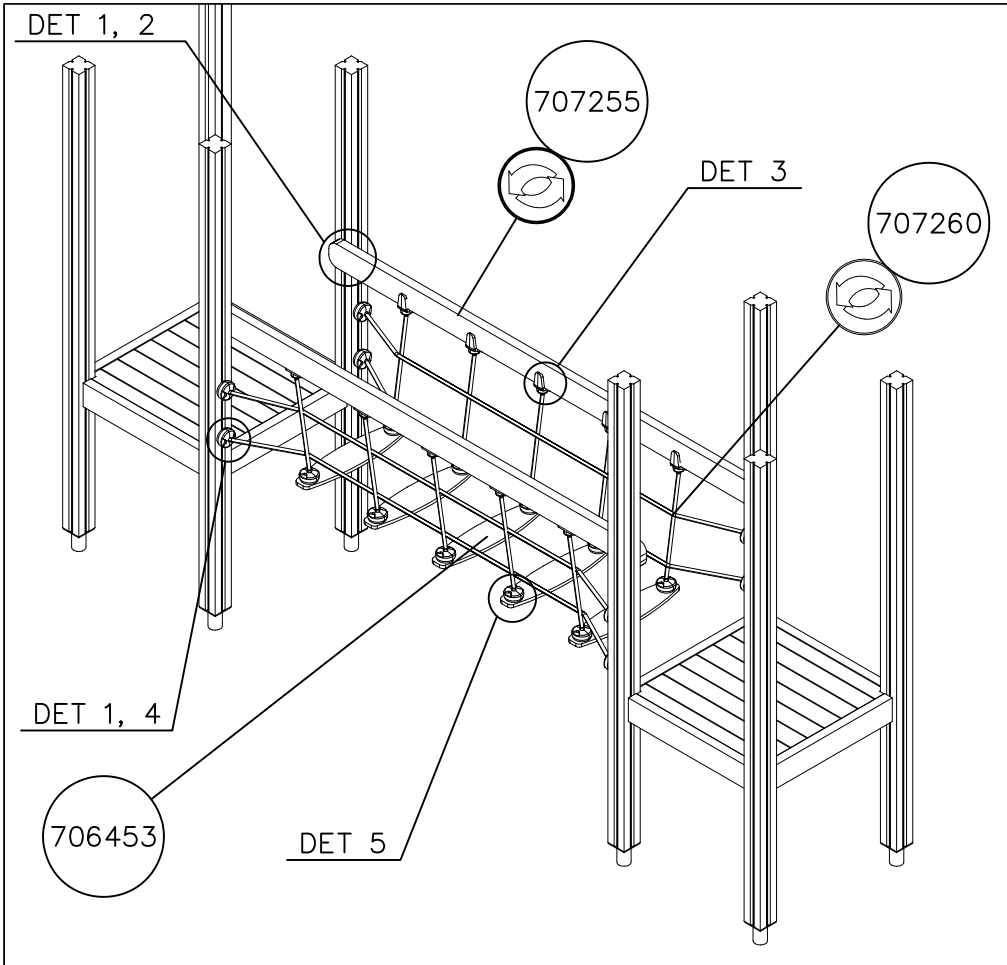


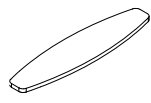
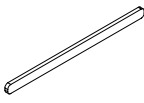
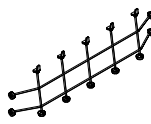
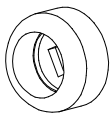
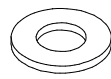

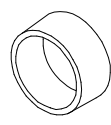

Safety surface

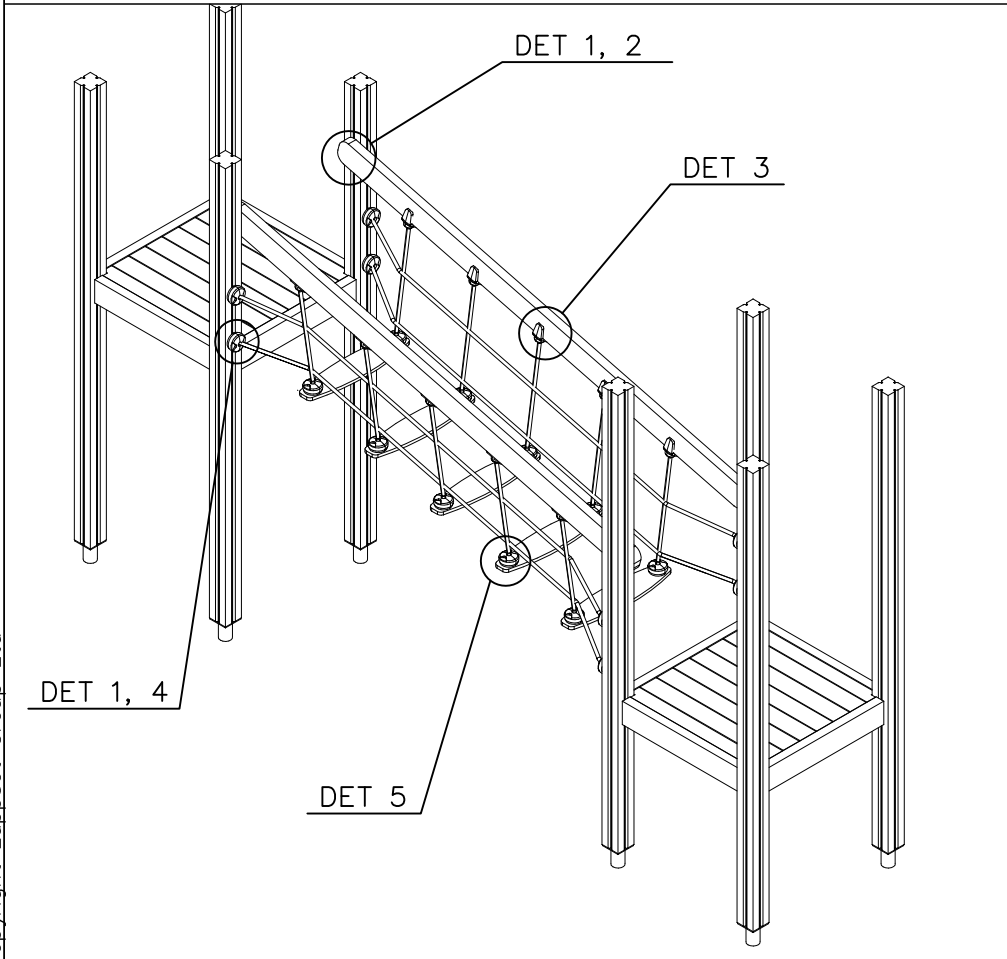
Betoni / Concrete K30.


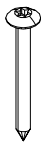
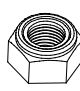
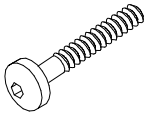
In case of concrete block

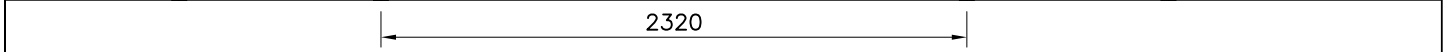
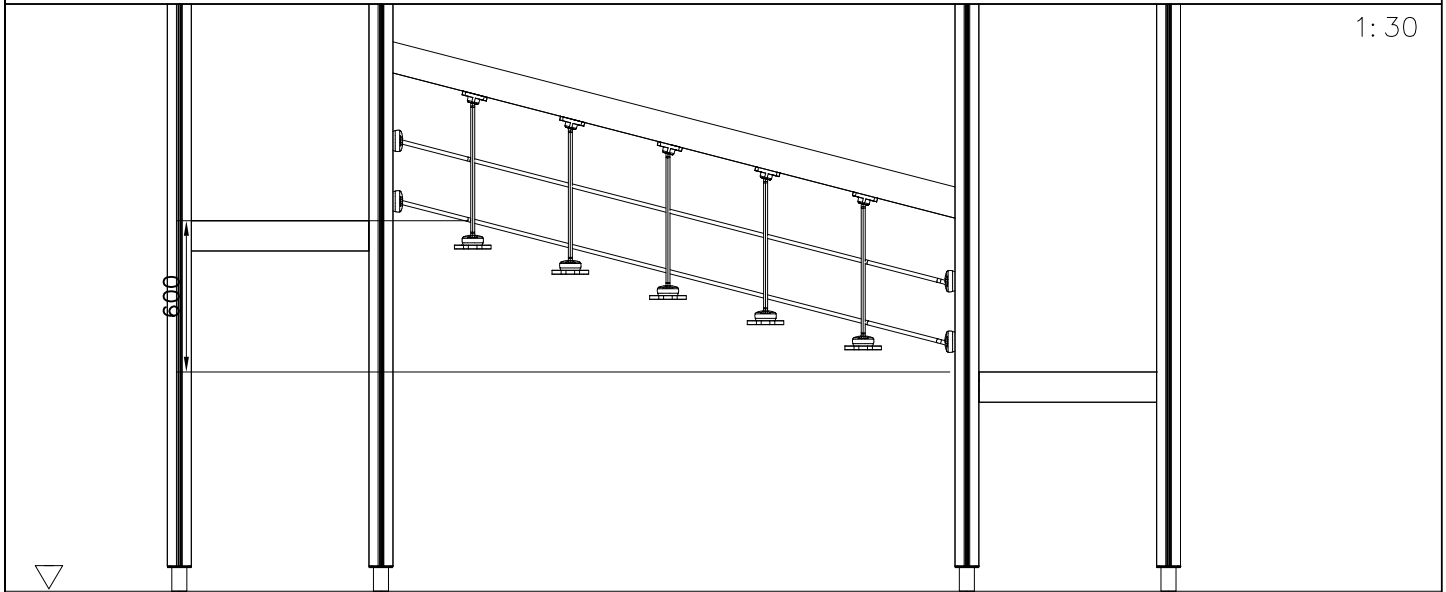
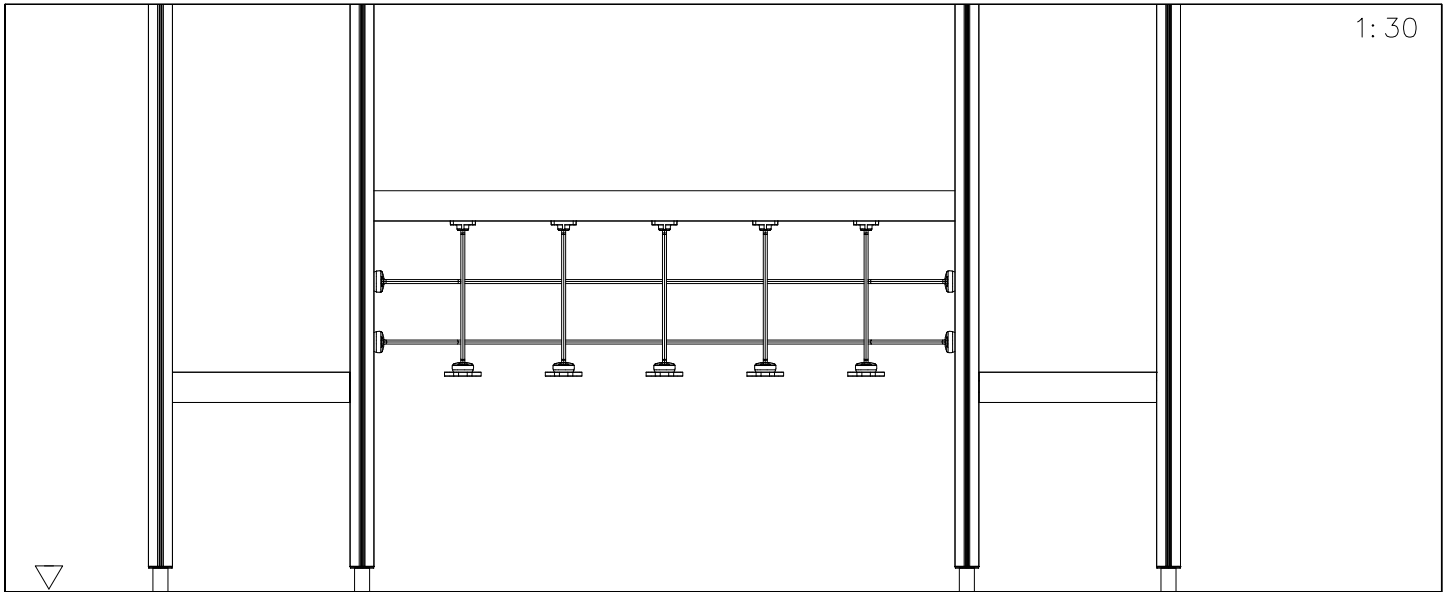




① 706453	PCS	② 707255	PCS
	5		2
15x145x600		45x120x2480	
③ 707260	PCS	④ 905083	PCS
	2		4
2375x600		Ø32	
⑤ 980151	PCS	⑥ 909232	PCS
	4		4
Ø16/8.4		8x120	
⑦ 905112	PCS	⑧ 900240	PCS
	4		16
Ø22		Ø8x70	

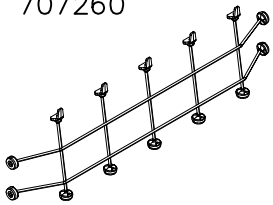


⑨ 980123	PCS	⑩ 980128	PCS
	20		10
Ø7x60		Ø7x40	
⑪ 980150	PCS	⑫ 901899	PCS
	20		20
M8		M8x45	
	PCS		PCS
	PCS		PCS



NET OPTIONS

707260

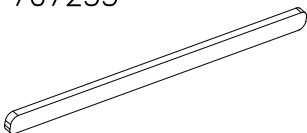


2375x600

- 707260-301 BLUE
- 707260-302 RED
- 707260-303 BEIGE
- 707260-304 GRAY
- 707260-305 BLACK
- 707260-306 YELLOW

RAILING OPTIONS

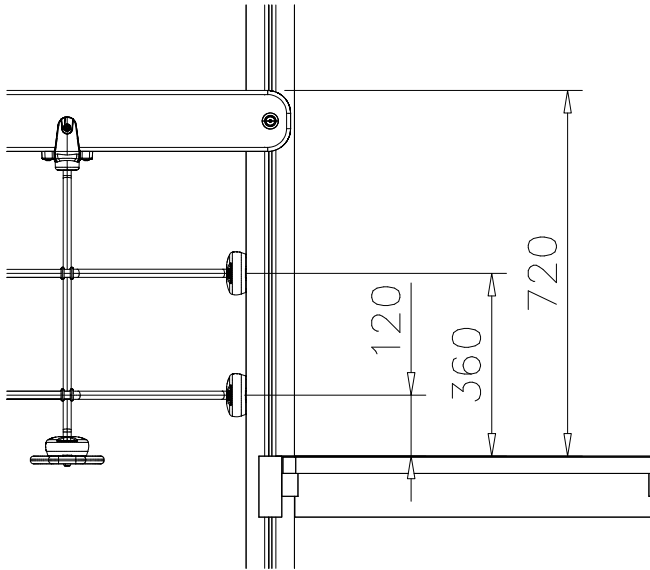
707255



45x120x2480

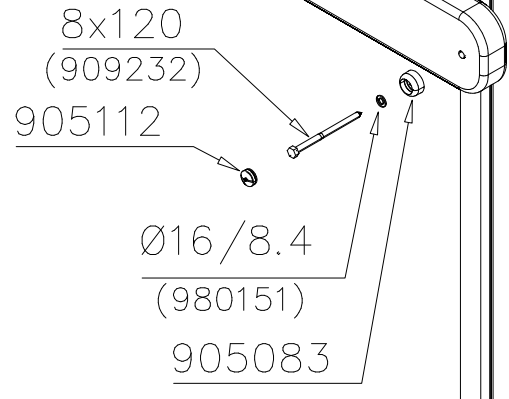
- | | |
|----------------------|-------------------|
| 707255-605 DARK GRAY | 707255-609 GREEN |
| 707255-606 GRAY | 707255-610 YELLOW |
| 707255-607 RED | 707255-611 LIME |
| 707255-608 BLUE | 707255-612 FUXIA |

DET 1

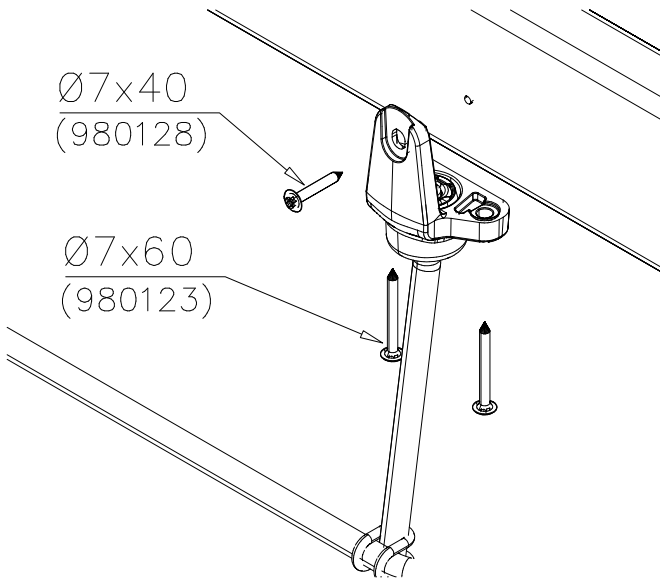


DET 2

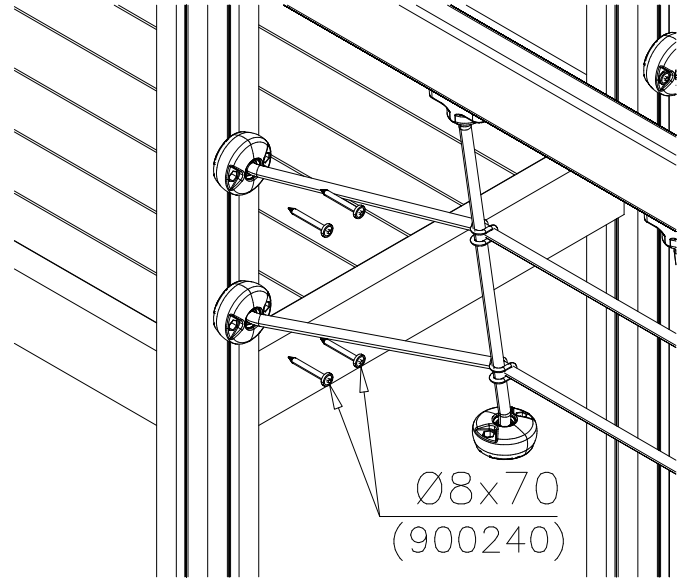
Note:
in side
Bridge



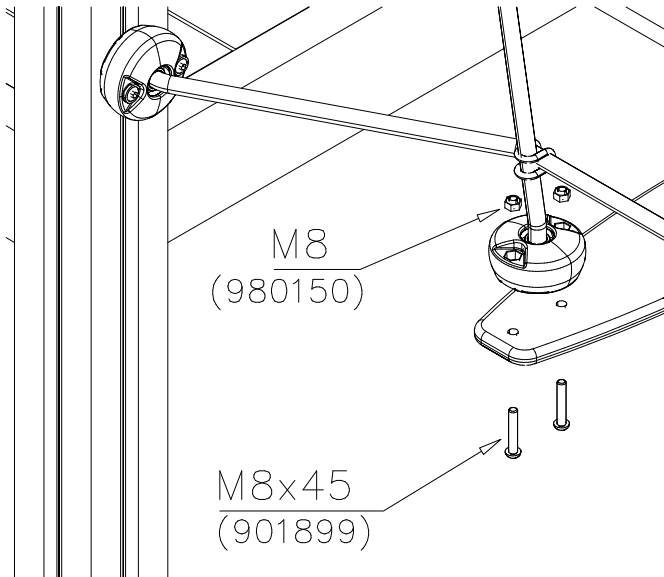
DET 3



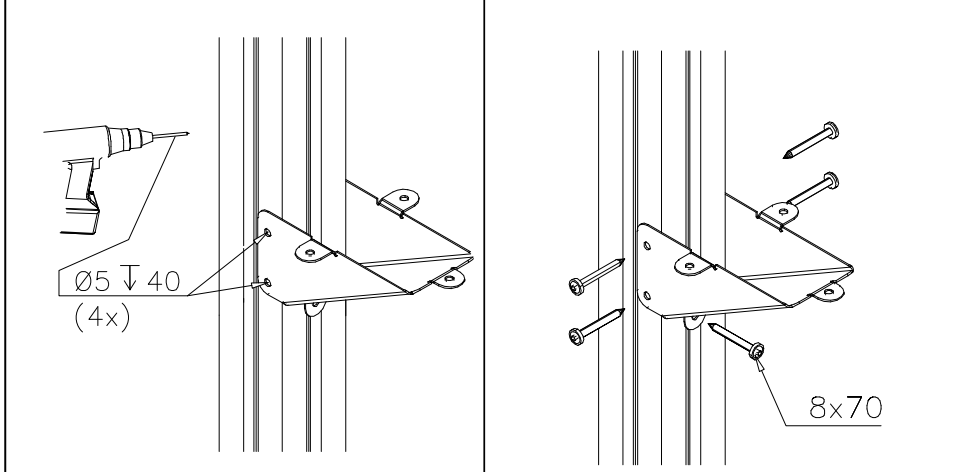
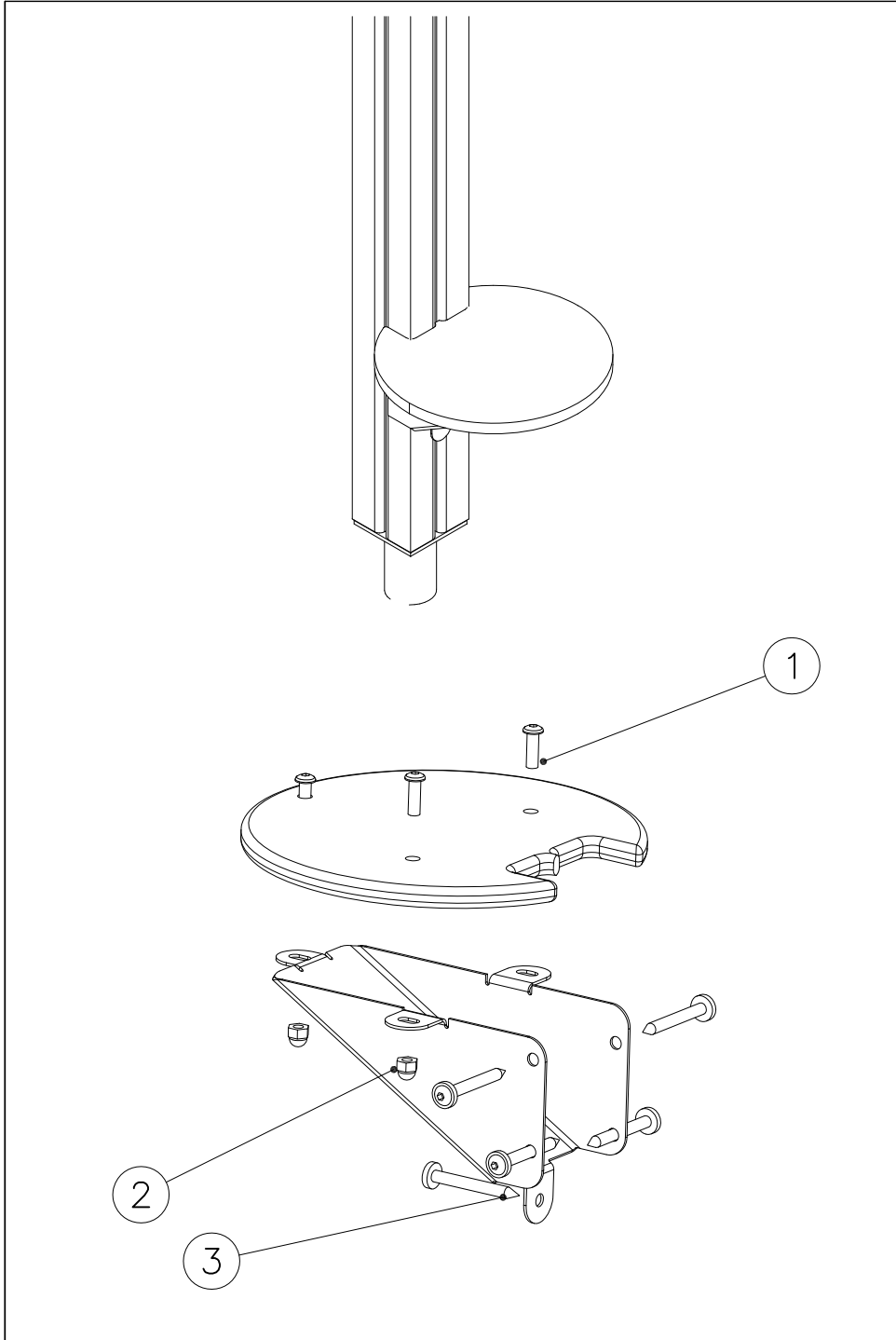
DET 4

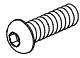


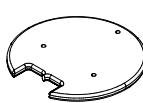
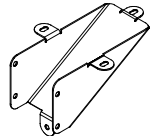


DET 5



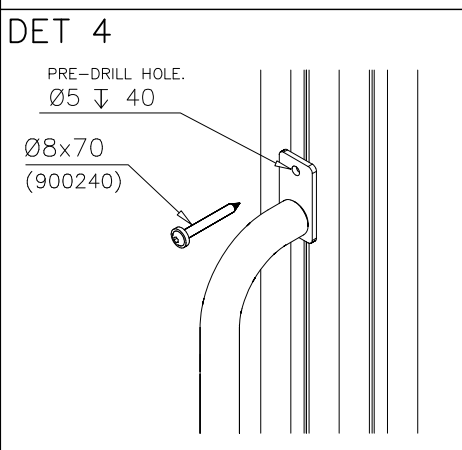
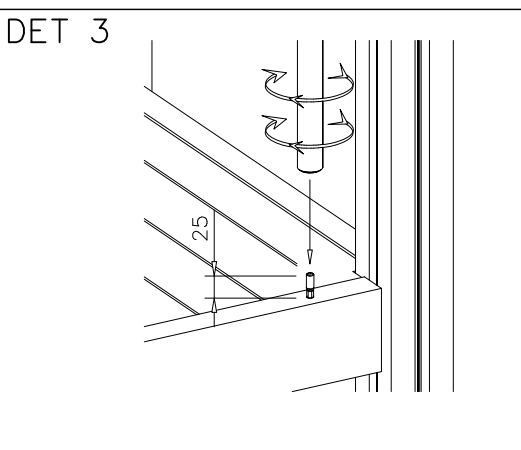
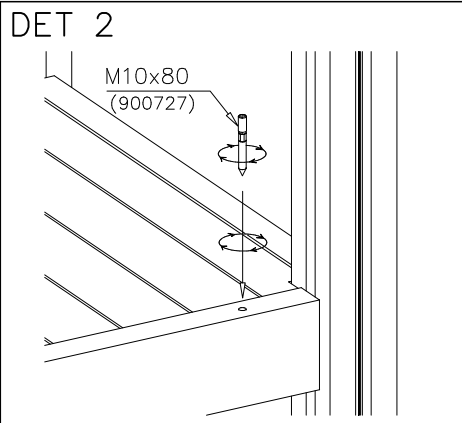
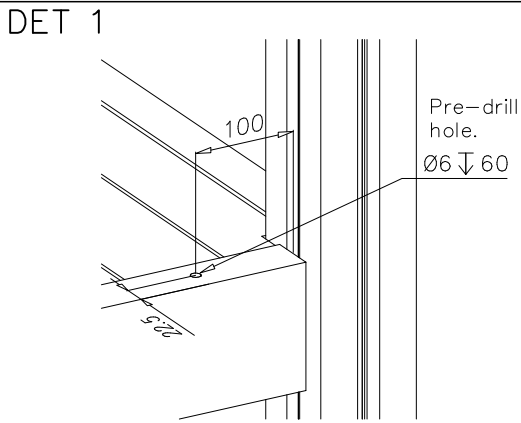
DET 6

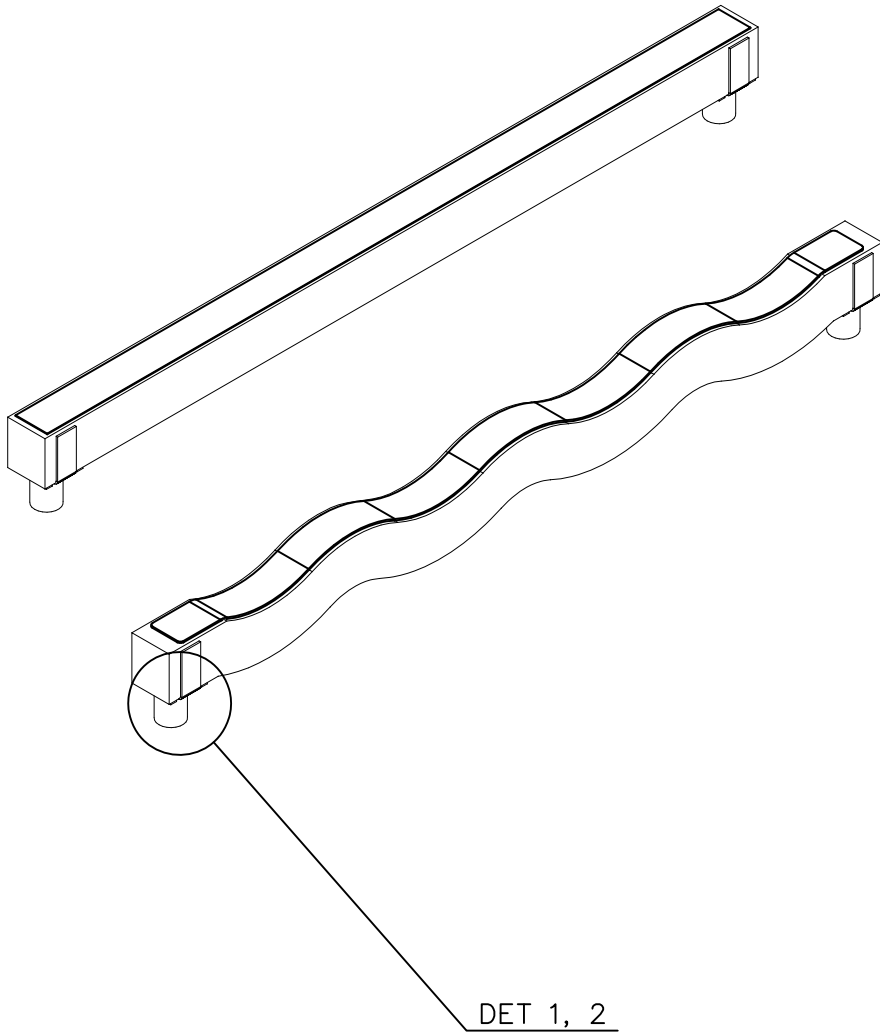




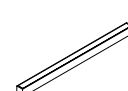
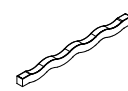
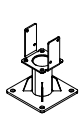

①	909850	PCS	②	909633	PCS
		3			3
	M8x25			M8	
③	900240	PCS			PCS
		5			
	Ø8x70				
		PCS			PCS
○	707696	PCS	○	902086	PCS
		1			1
	15x265x275			148x172x254	
		PCS			PCS
		PCS			PCS
		PCS			PCS
		PCS			PCS



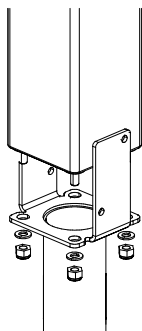
① 900240	PCS	② 900727	PCS
	1		1
Ø8x70		M10x80	
	PCS		PCS
③ 907688	PCS	③ 907701	PCS
	1		1
765		545	
	PCS		PCS
	PCS		PCS
	PCS		PCS
	PCS		PCS



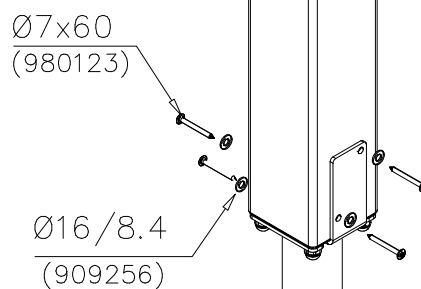


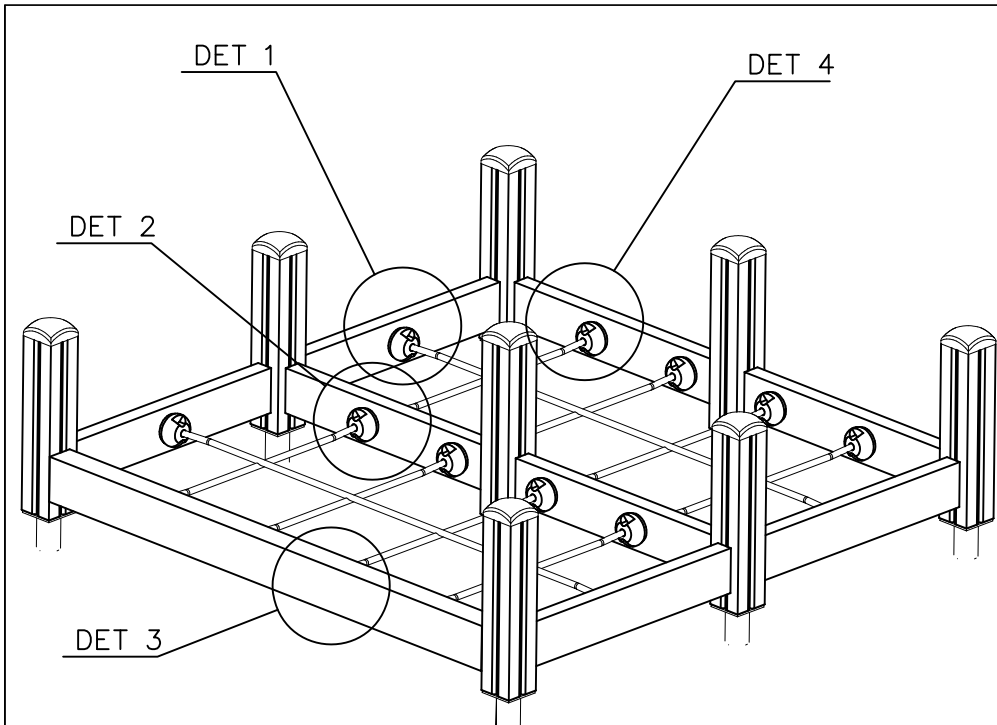
① 980123	PCS	② 909256	PCS
	8		8
Ø7x60		Ø16/8.4	
	PCS		PCS
	PCS		PCS
	PCS		PCS
○ 705566	PCS	○ 705590	PCS
			
140x120x2294		120x200x2294	
○ 905780	PCS	○ 905761	PCS
			
SURFACE		DEEP	
	PCS		PCS
	PCS		PCS


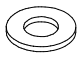
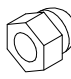
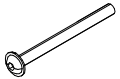
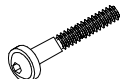

DET 1

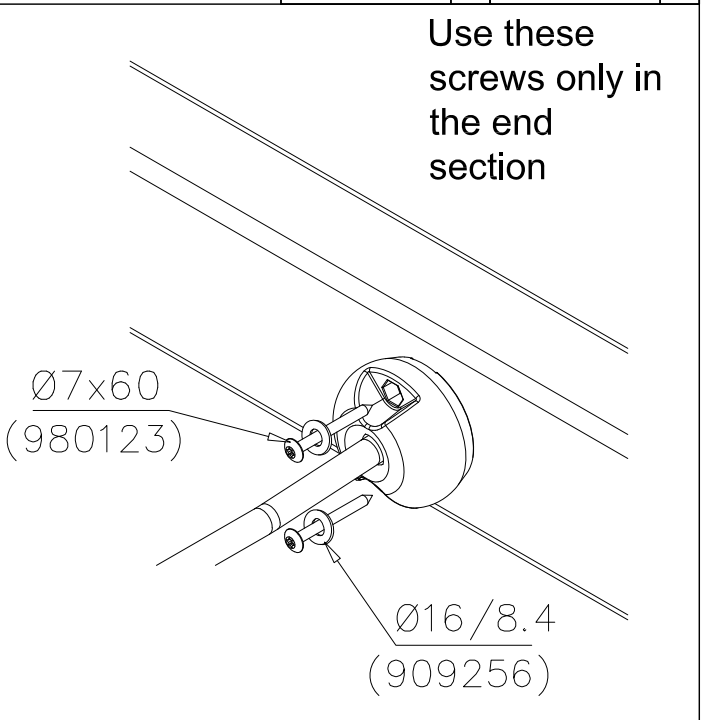
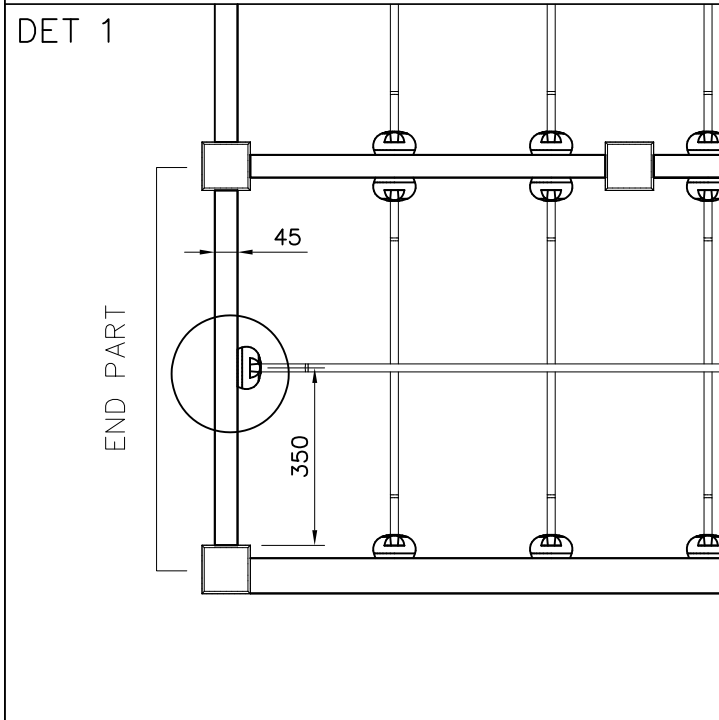


DET 2

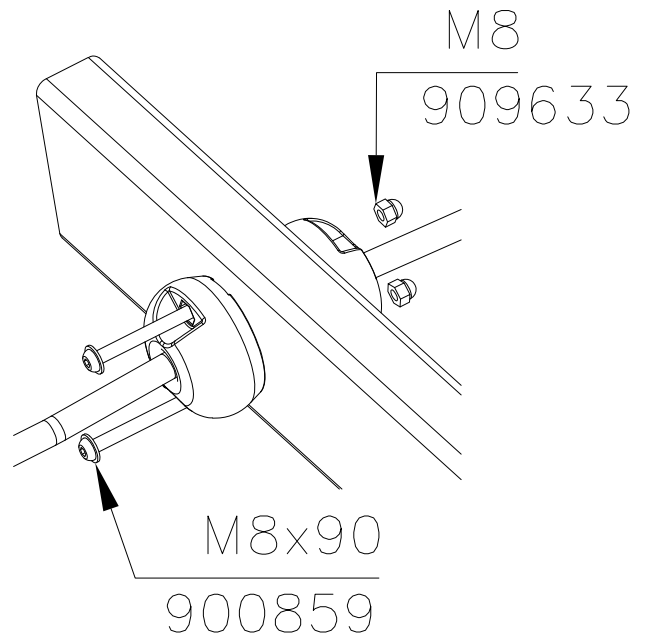
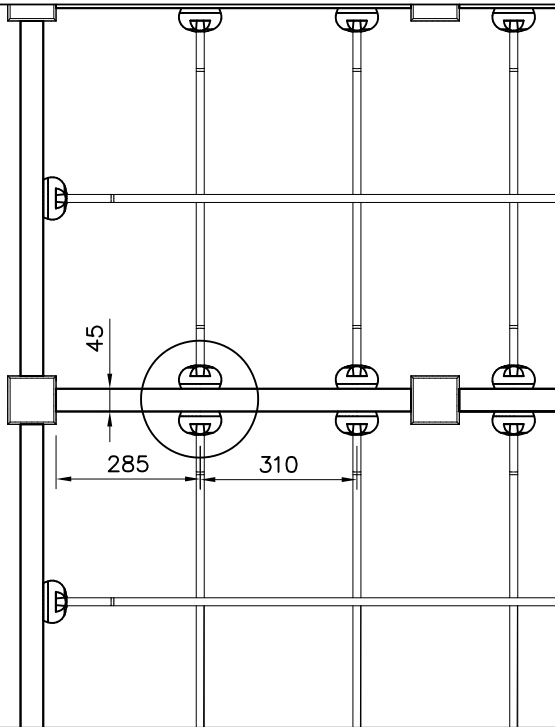




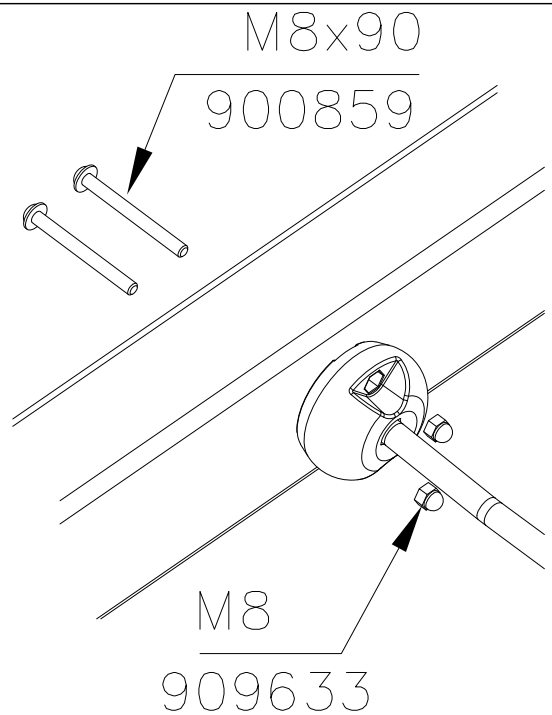
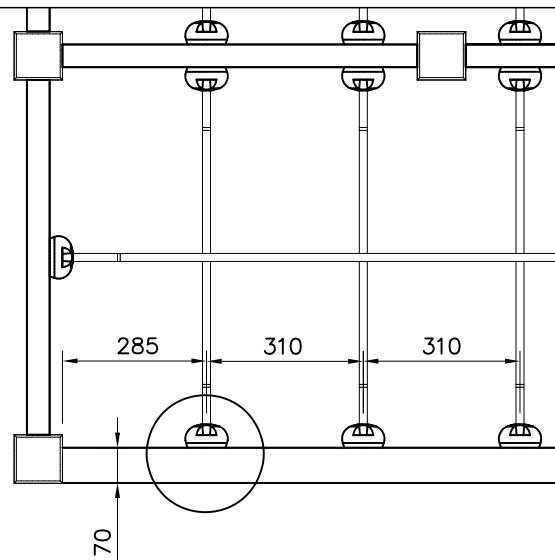
① 980123  Ø7x60	PCS 4	② 909256  Ø16/8.4	PCS 4
③ 909633  M8	PCS 16	④ 900859  M8x90	PCS 16
	PCS	⑤ 909867  M8x70	PCS 16
	PCS		PCS
	PCS	○ 707893  755x1555	PCS



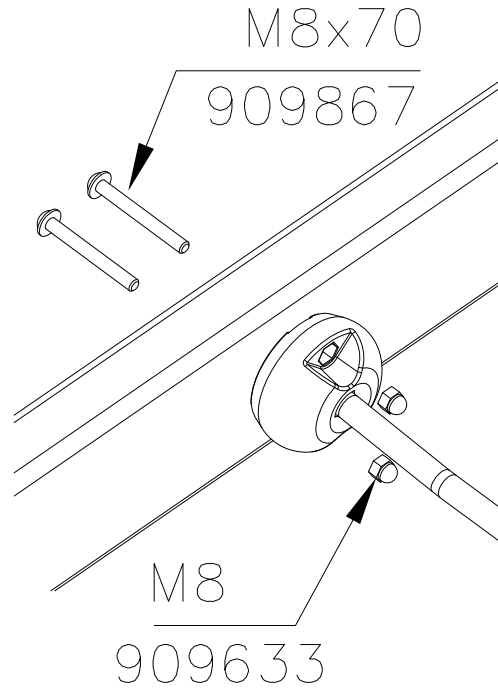
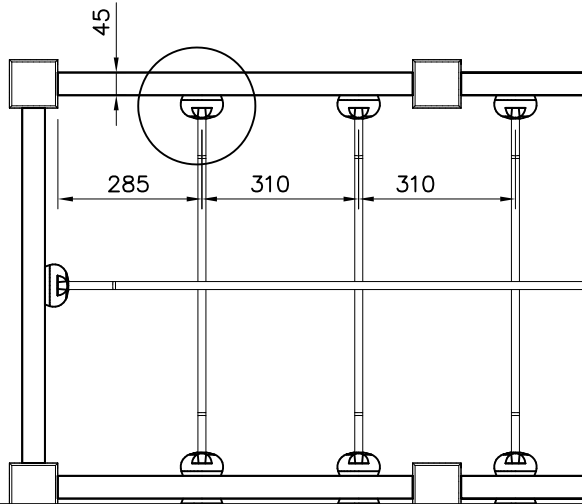
DET 2



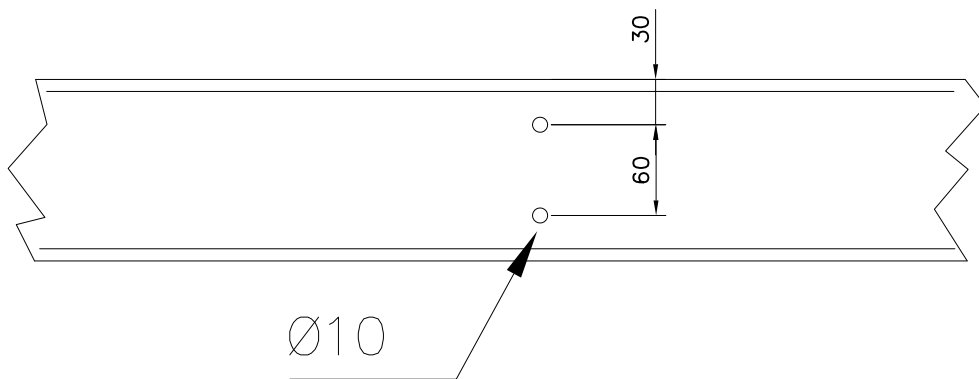
DET 3

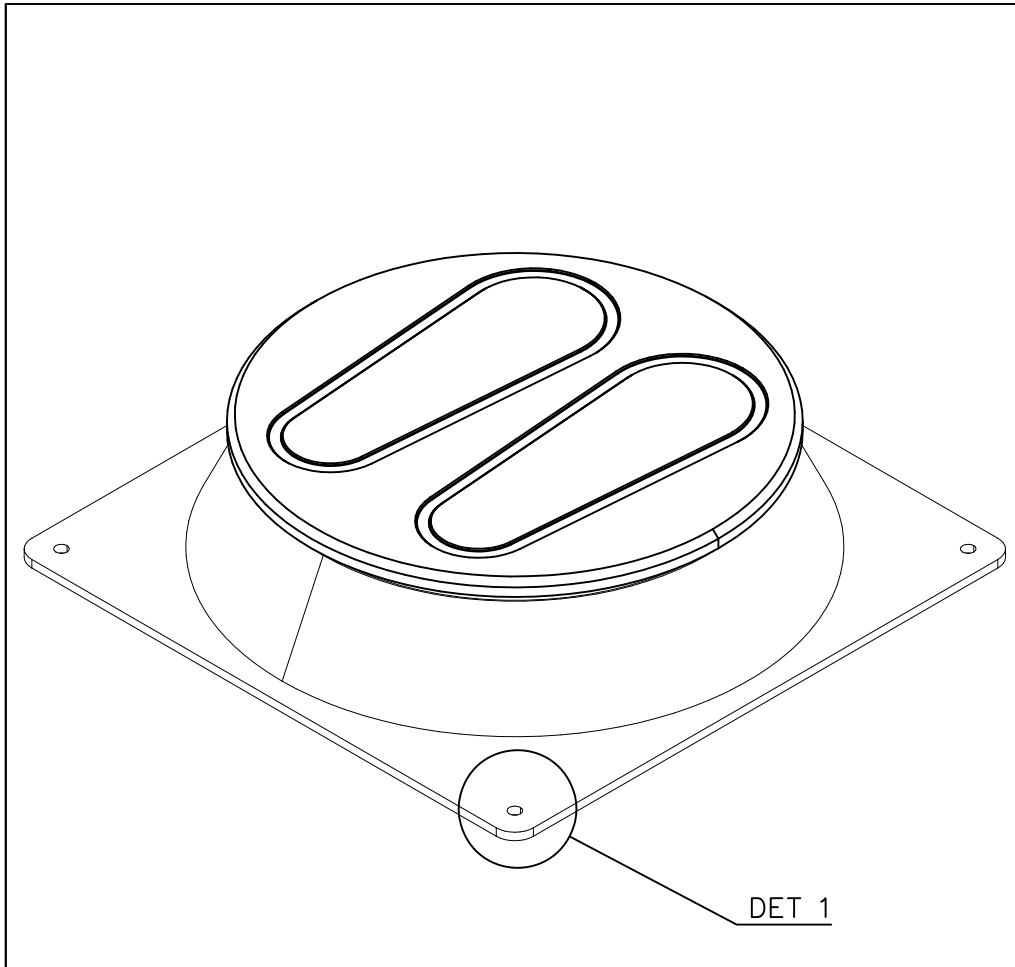



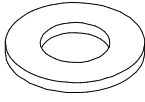
DET 4



Drill the necessary holes in the booms
(Dets 2-4)

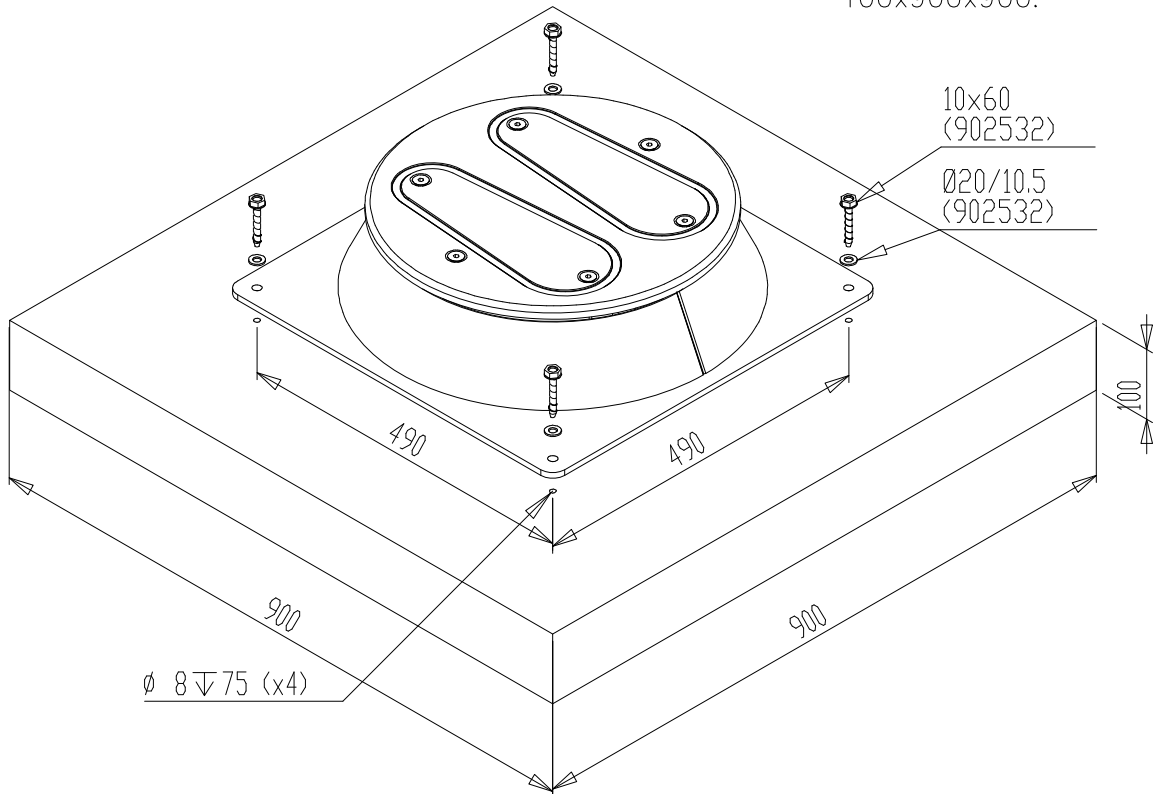




① 902532	PCS	② 909638	PCS
	4		4
10x60		Ø20/10,5	
	PCS		PCS
	PCS		PCS
	PCS		PCS

DET 1

IF MOUNTED ON OWN
CONCRETE BASE, SLAB SIZE
100x900x900.

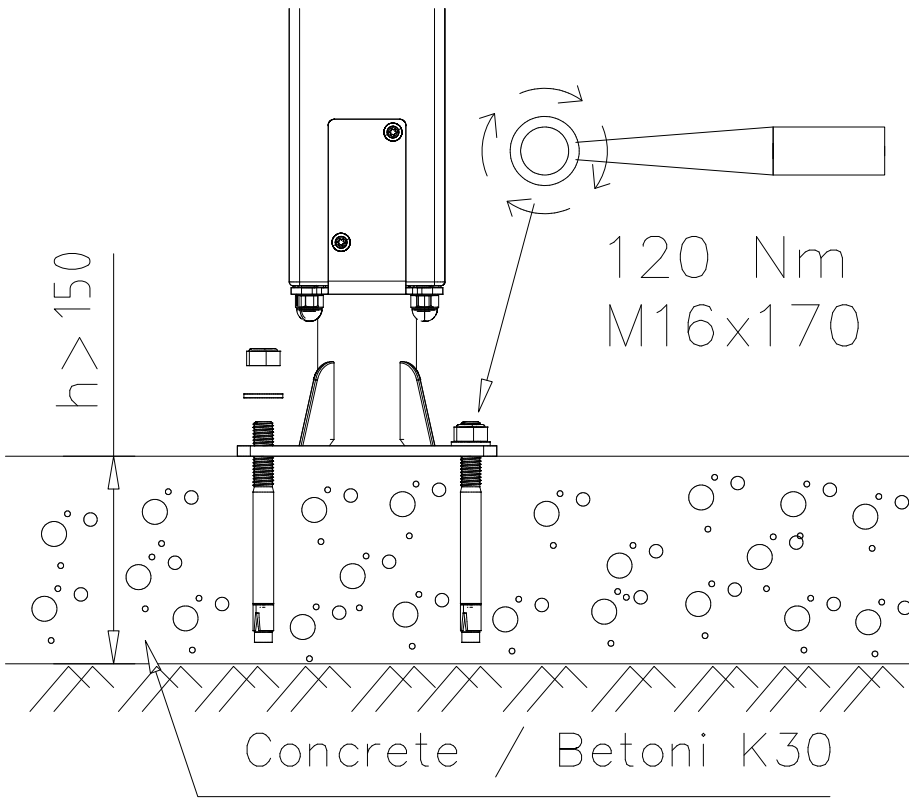




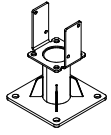
LAPPSET® SURF. FOUNDATION

FOOT 120x120 POST AND BEAMS

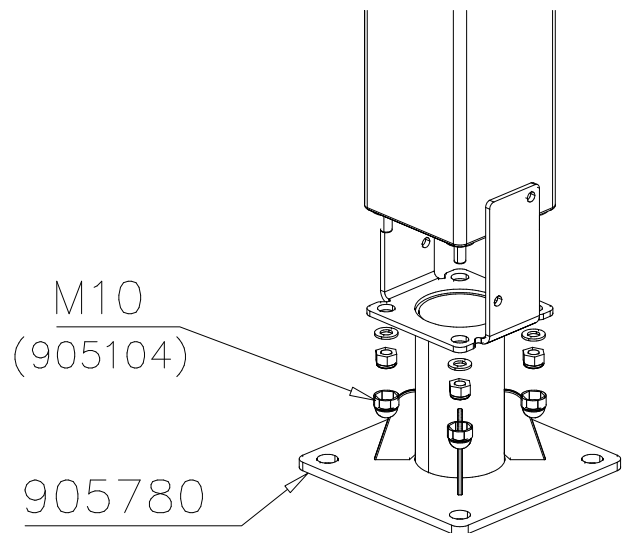
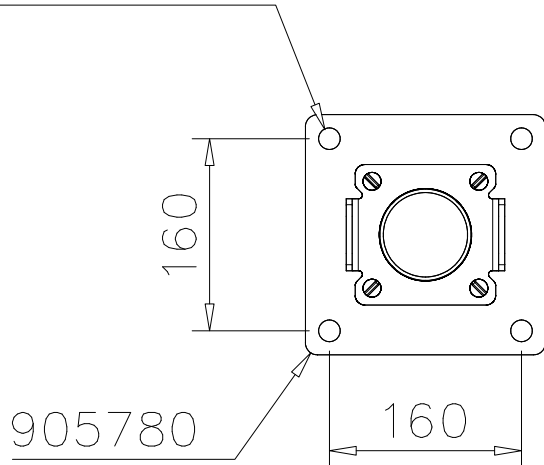
DATE: 21.4.2016

4A



① 904450	PCS	② 905104	PCS
	4		4
M16x170		M10	
	PCS		PCS
	PCS		PCS
	PCS		PCS
○ 905780	PCS		PCS
			
SURFACE			

Ø16 ↓ > 130



**Tuotekyltti tulee tuotteen mukana yhdellä seuraavista tavoista:****1) Metallinen tuotekyltti ja kiinnitysruuvit**

- Kiinnitä tuotekyltti ruuveilla tolppaan noin 2 metrin korkeuteen kuvan 1 mukaisesti.

2) Tuotekylttitarra

- Puhdista maalattu metalli- tai vaneripinta pölystä ja kosteudesta. Liimaa tarra kuvan 2 mukaisesti.
- Huom. Älä kiinnitä tarraa karheapintaiseen laminaattiin tai maalattuun puuhun.

Vår produktmärkning levereras på ett av följande sätt:**1) Produktskylt i metall**

- Fäst skylten med de medföljande skruvarna

2) Självhäftande produktetikett

- Rengör den pulverlackerade metallytan eller laminatyten så att den blir fri från smuts och fukt. Fäst etiketten enligt fig. 2.
- Obs! Fäst ej etiketten på detaljer med skrovlig yta eller på målat trä.

Product label is delivered by one of following ways:**1) Metal product label and screws**

- Fasten the label with screws.

2) Label sticker

- Clean the painted metal or plywood surface from dirt and moisture. Fasten the sticker as shown in the figure 2.
- Note. Do not attach the sticker to rough surfaced laminate or painted wood.

La plaque d'informations produit est livrée sous l'une de ces 3 formes :**1) Plaque métallique et vis**

- Fixez la plaque à l'aide des vis.

2) Etiquette autocollante

- Avant de coller l'étiquette, nettoyez le composant métallique peint ou la plaque de contreplaqué, de toute saleté. La surface doit être sèche (voir image 2).
- Attention, ne pas coller l'étiquette sur une surface lamellé-collée irrégulière ou sur du bois peint.

Die Auslieferung des Produktaufklebers erfolgt auf eine dieser Arten:**1) Produkt-Schild aus Metall incl. Schrauben**

- Die Befestigung des Schildes erfolgt mittels der Schrauben.

2) Aufkleber

- Entfernen Sie zunächst Schmutz und Feuchtigkeit vom lackierten Metall bzw. von der Holzoberfläche und bringen Sie den Aufkleber wie im Bild oben rechts beschrieben auf den gesäuberten Untergrund auf.
- Beachten Sie: Bringen Sie den Aufkleber nicht auf raues laminiertes oder lackiertes Holz an.